

EUROPEAN PATENT OFFICE  
U.S. PATENT AND TRADEMARK OFFICE

CPC NOTICE OF CHANGES 1927

DATE: AUGUST 1, 2026

PROJECT RP12261

**The following classification changes will be effected by this Notice of Changes:**

<u>Action</u>	<u>Subclass</u>	<u>Group(s)</u>
<b>SCHEME:</b>		
Symbols Deleted:	F01B	2170/00, 2170/04, 2170/0405, 2170/0411, 2170/0417, 2170/0423, 2170/0429, 2170/0435, 2170/0441, 2170/0447, 2170/0452, 2170/0458, 2170/0464, 2170/047, 2170/0476, 2170/0482, 2170/0488, 2170/0494
Symbols New:	F01B	2171/00, 2171/01, 2171/02, 2171/03, 2171/04, 2171/05, 2171/06, 2171/07, 2171/08, 2171/09, 2171/11, 2171/12, 2171/13
Titles Changed	F01B	2250/00, 2250/003, 2250/008
Notes Deleted	F01B	17/04
Notes Modified:	F01B	SUBCLASS
Guidance Headings New:	F01B	2171/00
	F01B	2250/00
<b>DEFINITIONS:</b>		
Definitions Modified:	F01B	1/0603, 1/062
	F01B	3/00, 3/0002, 3/0005, 3/0008, 3/0011, 3/0014, 3/0032, 3/0038, 3/0041, 3/0047, 3/005, 3/0052, 3/0061, 3/007, 3/0076, 3/02, 3/045, 3/06, 3/08, 3/103, 3/104, 3/106, 3/108
	F01B	5/00, 5/003, 5/006
	F01B	7/00, 7/02, 7/06, 7/08, 7/10, 7/12, 7/14, 7/16, 7/18, 7/20
	F01B	9/02, 9/023, 9/04, 9/042, 9/047, 9/06, 9/08
	F01B	11/001, 11/002, 11/003, 11/004, 11/006, 11/007, 11/008, 11/009, 11/02, 11/06
	F01B	13/02, 13/045, 13/061, 13/068
	F01B	17/00, 17/022
	F01B	19/00, 19/02, 19/04

**No other subclasses/groups are impacted by this Notice of Changes.**

**This Notice of Changes includes the following [Check the ones included]:**

EUROPEAN PATENT OFFICE  
U.S. PATENT AND TRADEMARK OFFICE

CPC NOTICE OF CHANGES 1927

DATE: AUGUST 1, 2026

PROJECT RP12261

1. CLASSIFICATION SCHEME CHANGES

- A. New, Modified or Deleted Group(s)
- B. New, Modified or Deleted Warning(s)
- C. New, Modified or Deleted Note(s)
- D. New, Modified or Deleted Guidance Heading(s)

2. DEFINITIONS

- A. New or Modified Definitions (Full definition template)
- B. Modified or Deleted Definitions (Definitions Quick Fix)

- 3.  REVISION CONCORDANCE LIST (RCL)
- 4.  CHANGES TO THE CPC-TO-IPC CONCORDANCE LIST (CICL)
- 5.  CHANGES TO THE CROSS-REFERENCE LIST (CRL)

## CPC NOTICE OF CHANGES 1927

DATE: AUGUST 1, 2026

PROJECT RP12261

## 1. CLASSIFICATION SCHEME CHANGES

A. New, Modified or Deleted Group(s)**SUBCLASS F01B - MACHINES OR ENGINES, IN GENERAL OR OF POSITIVE-DISPLACEMENT TYPE, e.g. STEAM ENGINES**

<u>Type*</u>	<u>Symbol</u>	<u>Indent Level Number of dots (e.g. 0, 1, 2)</u>	<u>Title</u> <u>“CPC only” text should normally be enclosed in {curly brackets}**</u>	<u>Transferred to#</u>
U	F01B	Subclass	MACHINES OR ENGINES, IN GENERAL OR OF POSITIVE-DISPLACEMENT TYPE, e.g. STEAM ENGINES (of rotary-piston or oscillating-piston type F01C; of non-positive-displacement type F01D; internal-combustion engines F02B; combustion-product engine plants F02G; machines or engines, other than of positive-displacement type, for liquids F03B; positive-displacement engines driven by liquids F03C; wind motors F03D; positive-displacement machines for liquids F04B; rotary-piston, or oscillating-piston, positive-displacement machines for liquids F04C)	
D	F01B2170/00	0	Steam engines, e.g. for locomotives or ships	<administrative transfer to F01B2171/00 ADD>
D	F01B2170/04	1	To-be-deleted with administrative transfer to parent group	<administrative transfer to F01B2171/00 ADD>
D	F01B2170/0405	2	To-be-deleted with administrative transfer to parent group	<administrative transfer to F01B2171/00 ADD>
D	F01B2170/0411	3	for locomotives	<administrative transfer to F01B2171/01 ADD>
D	F01B2170/0417	3	for locomobiles driven by small motors	<administrative transfer to F01B2171/02 ADD>
D	F01B2170/0423	3	Single acting steam engines with 1, 2 or 3 cylinders	<administrative transfer to F01B2171/03 ADD>
D	F01B2170/0429	3	Double acting high pressure machines	<administrative transfer to F01B2171/04 ADD>

## CPC NOTICE OF CHANGES 1927

DATE: AUGUST 1, 2026

## PROJECT RP12261

D	F01B2170/0435	3	Compound machines with double or plural expansion; Auxiliaries driven by main engine	<administrative transfer to F01B2171/05 ADD>
D	F01B2170/0441	3	Compound engines with monolytic pistons in same cylinder	<administrative transfer to F01B2171/06 ADD>
D	F01B2170/0447	3	Machines with more than one piston in a cylinder and with counter moving pistons	<administrative transfer to F01B2171/07 ADD>
D	F01B2170/0452	3	Engines without connecting rods	<administrative transfer to F01B2171/08 ADD>
D	F01B2170/0458	3	Moving cylinders for steam engines, e.g. with telescopic cylinder arrangements	<administrative transfer to F01B2171/09 ADD>
D	F01B2170/0464	3	Oscillating cylinders for steam engines	<administrative transfer to F01B2171/11 ADD>
D	F01B2170/047	3	General arrangements for steam engines	<administrative transfer to F01B2171/00 ADD>
D	F01B2170/0476	3	Components or parts for steam engines	<administrative transfer to F01B2171/13 ADD>
D	F01B2170/0482	3	with toroidal cylinder space	<administrative transfer to F01B2171/12 ADD>
D	F01B2170/0488	4	To-be-deleted with administrative transfer to parent group	<administrative transfer to F01B2171/12 ADD>
D	F01B2170/0494	5	with fixed cylinder space	<administrative transfer to F01B2171/12 ADD>
N	F01B2171/00	0	Details or adaptations of steam engines, e.g. for locomotives or ships	
N	F01B2171/01	1	for locomotives	
N	F01B2171/02	1	for locomobiles	
N	F01B2171/03	1	Single-acting steam engines with 1, 2 or 3 cylinders	
N	F01B2171/04	1	Double-acting high pressure steam engines	
N	F01B2171/05	1	Compound steam engines with double or multiple expansion; Auxiliaries driven by main engine	
N	F01B2171/06	1	Compound engines using monolithic piston in same cylinder	
N	F01B2171/07	1	Steam engines with two or more pistons per cylinder with counter-moving pistons	
N	F01B2171/08	1	Steam engines without connecting rods	
N	F01B2171/09	1	Steam engines with moving cylinders, e.g. telescopic cylinder arrangements	

## CPC NOTICE OF CHANGES 1927

DATE: AUGUST 1, 2026

## PROJECT RP12261

N	F01B2171/11	1	Oscillating cylinder arrangements	
N	F01B2171/12	1	with toroidal cylinder spaces	
N	F01B2171/13	1	Components or parts for steam engines	
M	F01B2250/00	0	Accessories of steam engines; Arrangements or control devices of pumps, compressors or condensers, insofar as they influence the functioning of the steam engines	
M	F01B2250/003	1	Apparatus for controlling receiver or condenser pressure	
M	F01B2250/008	1	Surface condensers for so far as they influence the functioning of the engine	

\*N = new entries where reclassification into entries is involved; C = entries with modified file scope where reclassification of documents from the entries is involved; Q = new entries which are firstly populated with documents via administrative transfers from deleted (D) entries. Afterwards, the transferred documents into the Q entry will either stay or be moved to more appropriate entries, as determined by intellectual reclassification; T = existing entries with enlarged file scope, which receive documents from C or D entries, e.g. when a limiting reference is removed from the entry title; M = entries with no change to the file scope (no reclassification); D = deleted entries; F = frozen entries will be deleted once reclassification of documents from the entries is completed; U = entries that are unchanged.

## NOTES:

- \*\*No {curly brackets} are used for titles in CPC only subclasses, e.g. C12Y, A23Y; 2000 series symbol titles of groups found at the end of schemes (orthogonal codes); or the Y section titles. The {curly brackets} are used for 2000 series symbol titles found interspersed throughout the main trunk schemes (breakdown codes).
- U groups: it is obligatory to display the required “anchor” symbol (U group), i.e. the entry immediately preceding a new group or an array of new groups to be created (in case new groups are not clearly subgroups of C-type groups). Always include the symbol, indent level and title of the U group in the table above.
- All entry types should be included in the scheme changes table above for better understanding of the overall scheme change picture. Symbol, indent level, and title are required for all types.
- “Transferred to” column must be completed for all C, D, F, and Q type entries. F groups will be deleted once reclassification is completed.
- When multiple symbols are included in the “Transferred to” column, avoid using ranges of symbols in order to be as precise as possible.
- For administrative transfer of documents, the following text should be used: “<administrative transfer to XX>”, “<administrative transfer to XX and YY simultaneously>”, or “<administrative transfer to XX, YY, ...and ZZ simultaneously>” when administrative transfer of the same documents is to more than one place.
- Administrative transfer to main trunk groups is assumed to be the source allocation type, unless otherwise indicated.
- Administrative transfer to 2000/Y series groups is assumed to be “additional information”.
- If needed, instructions for allocation type should be indicated within the angle brackets using the abbreviations “ADD” or “INV”: <administrative transfer to XX ADD>, <administrative transfer to XX INV>, or <administrative transfer to XX ADD, YY INV, ... and ZZ ADD simultaneously>.
- In certain situations, the “D” entries of 2000-series or Y-series groups may not require a destination (“Transferred to”) symbol, however it is required to specify “<no transfer>” in the “Transferred to” column for such cases.
- For finalization projects, the deleted “F” symbols should have <no transfer> in the “Transferred to” column.
- For more details about the types of scheme change, see CPC Guide.

CPC NOTICE OF CHANGES 1927

DATE: AUGUST 1, 2026

PROJECT RP12261

C. New, Modified or Deleted Note(s)

**SUBCLASS F01B - MACHINES OR ENGINES, IN GENERAL OR OF POSITIVE-DISPLACEMENT TYPE, e.g. STEAM ENGINES**

<u>Type*</u>	<u>Location</u>	<u>Old Note</u>	<u>New/Modified Note</u>
M	F01B	<p>1. This subclass <u>covers</u>, with the exception of the matter provided for in subclasses F01C - F01P :</p> <ul style="list-style-type: none"> <li>• engines for elastic fluids, e.g. steam engines;</li> <li>• engines for liquids and elastic fluids;</li> <li>• machines for elastic fluids;</li> <li>• machines for liquids and elastic fluids.</li> </ul> <p>2. Attention is drawn to the note preceding class F01, especially as regards the definitions of "steam" and "special vapour".</p>	<p>1. This subclass <u>covers</u>, with the exception of the matter provided for in subclasses F01C - F01P:</p> <ul style="list-style-type: none"> <li>• engines for elastic fluids, e.g. steam engines;</li> <li>• engines for liquids and elastic fluids;</li> <li>• machines for elastic fluids;</li> <li>• machines for liquids and elastic fluids.</li> </ul> <p>2. Attention is drawn to the note preceding class F01, especially as regards the definitions of "steam" and "special vapour".</p> <p>3. {In this subclass, it is desirable to add the indexing codes of groups F01B 2171/00 and F01B 2250/00.}</p>
D	F01B17/04	{In this group the following indexing codes are used: F01B 2170/0411 - F01B 2170/0494}	<u>Delete</u> entire Note.

\*N = new note, M = modified note, D = deleted note

NOTE: The "Location" column only requires the symbol PRIOR to the location of the note. No further directions such as "before" or "after" are required.

CPC NOTICE OF CHANGES 1927

DATE: AUGUST 1, 2026

PROJECT RP12261

D. New, Modified or Deleted Guidance Heading(s)

**SUBCLASS F01B - MACHINES OR ENGINES, IN GENERAL OR OF POSITIVE-DISPLACEMENT TYPE, e.g. STEAM ENGINES**

<u>Type*</u>	<u>Location</u>	<u>Old Guidance Heading</u>	<u>New/Modified Guidance Heading</u>
N	F01B2171/00- F01B2171/00		Indexing codes for special structural or operational features of steam engines
N	F01B2250/00- F01B2250/00		Indexing codes for accessories or auxiliary arrangements influencing the functioning of steam engines

\*N = new guidance heading, M = modified guidance heading, D = deleted guidance heading

NOTES:

- The “Location” column requires the symbol AFTER the guidance heading location. No further directions such as “before” or “after” are required.
- In cases where there may be confusion as to whether a new group falls within the scope of a guidance heading, indicate the guidance heading and whether the group does or does not go with the guidance heading. This can be included in the “Location” column. For example, the guidance heading “Compounds containing carbon together with sulfur, selenium or tellurium with or without hydrogen, halogens, oxygen or nitrogen” encompasses groups C07C 301/00-395/00 only. If a new group C07C 398/00 is proposed and is included in the guidance heading scope, indicate this in the “Location” column as follows: 398/00 to be included under the guidance heading: “Compounds containing carbon together with sulfur, selenium or tellurium with or without hydrogen, halogens, oxygen or nitrogen.”

## 2. A. DEFINITIONS (modified)

### F01B 1/0603

Delete: The entire Special rules section.

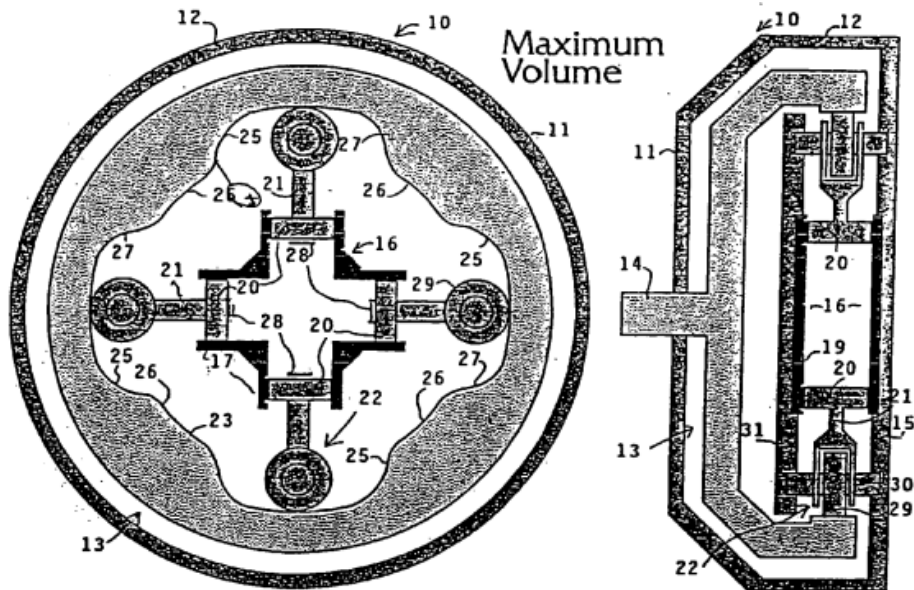
Insert: The following new Definition statement.

#### Definition statement

*This place covers:*

Illustrative example of subject matter classified in this place:

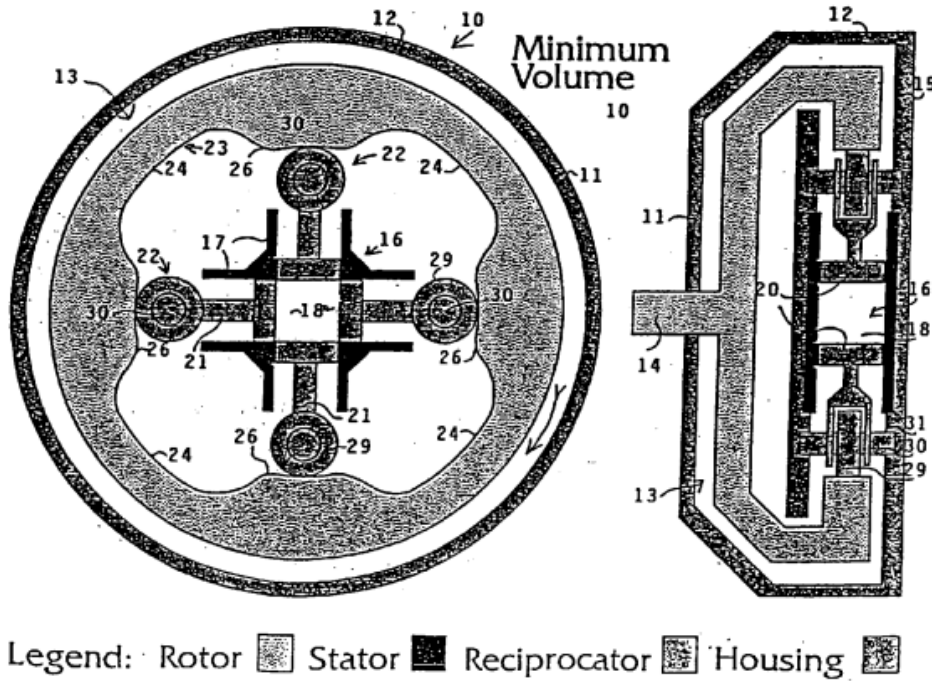
1a.



DATE: AUGUST 1, 2026

PROJECT RP12261

1b.



**F01B 1/062**

Delete: The entire Special rules section.

Insert: The following new Definition statement.

**Definition statement**

*This place covers:*

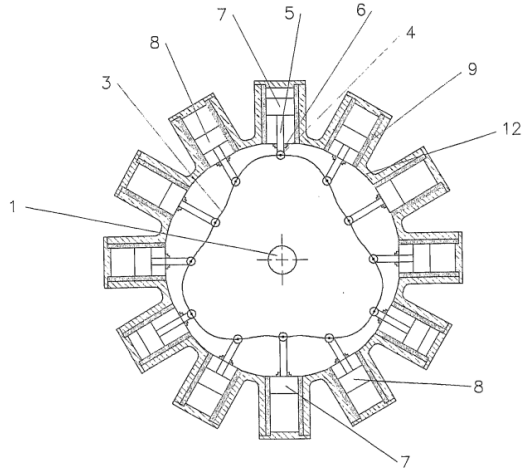
Illustrative example of subject matter classified in this place:

CPC NOTICE OF CHANGES 1927

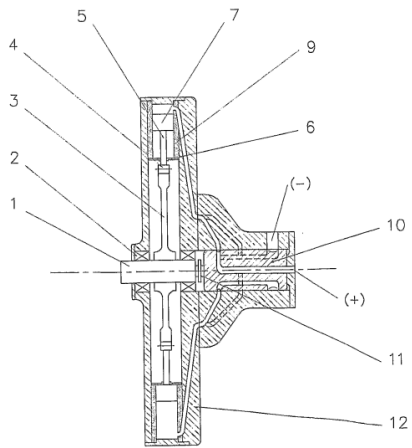
DATE: AUGUST 1, 2026

PROJECT RP12261

1a.



1b.



**F01B 3/00**

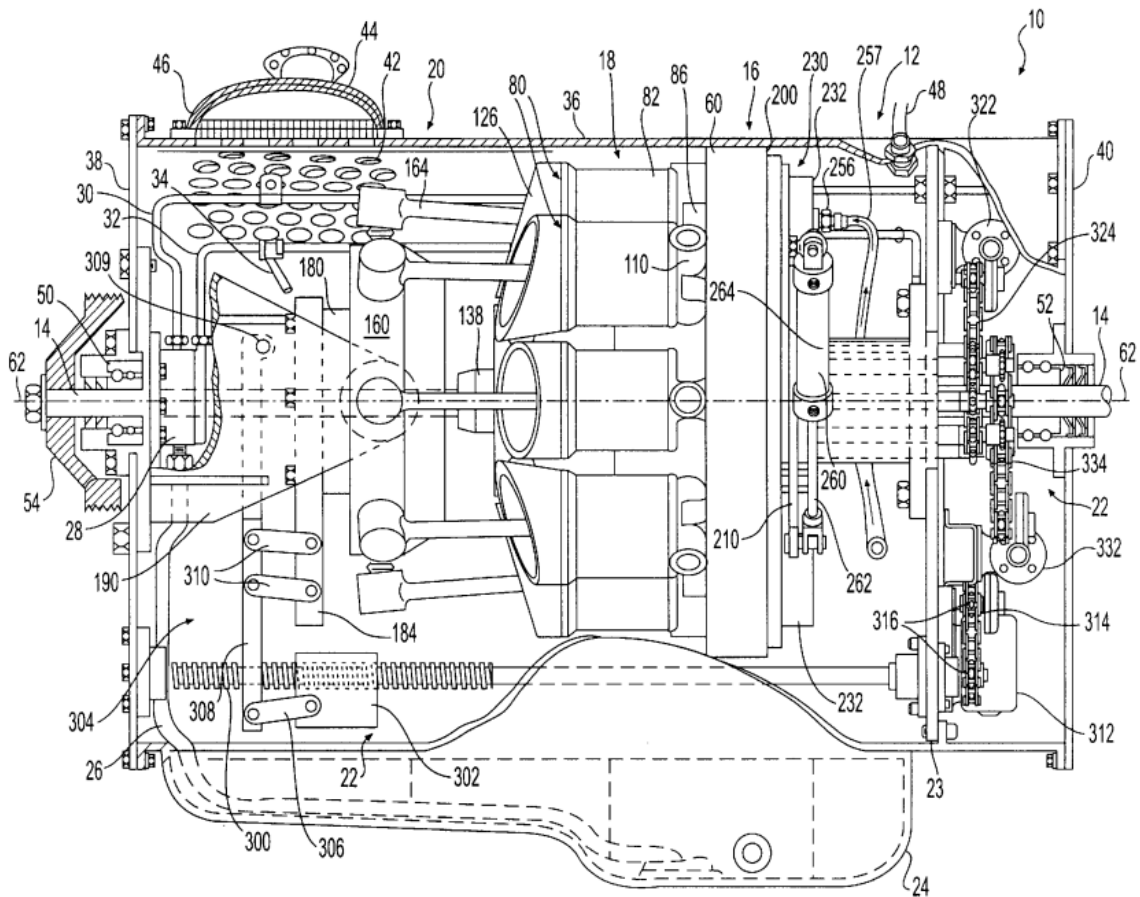
Delete: The entire Special rules section.

Insert: The following new Definition statement.

**Definition statement**

*This place covers:*

Illustrative example of subject matter classified in this place:



**F01B 3/0002**

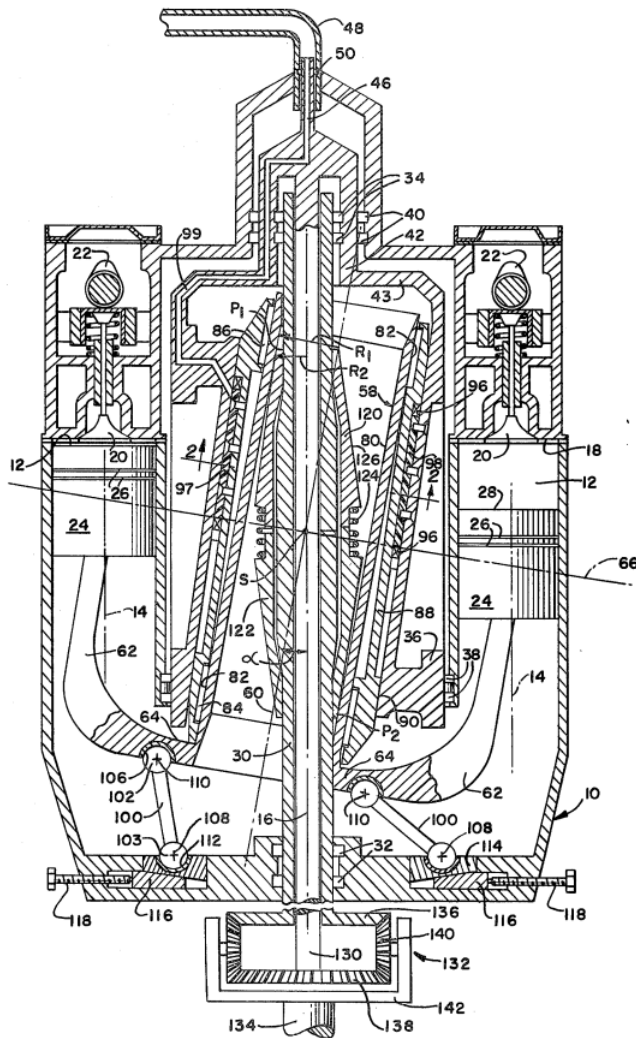
Delete: The entire Special rules section.

Insert: The following new Definition statement.

**Definition statement**

*This place covers:*

Illustrative example of subject matter classified in this place:



**F01B 3/0005**

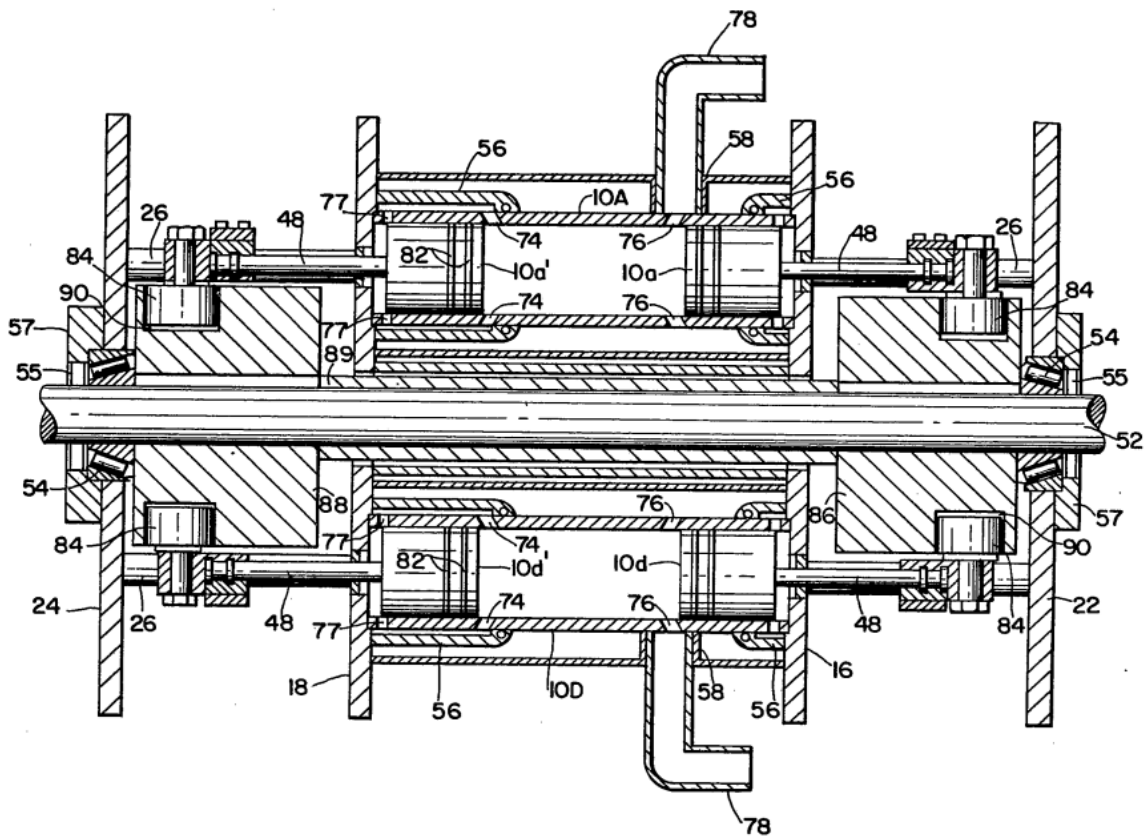
Delete: The entire Special rules section.

Insert: The following new Definition statement.

**Definition statement**

*This place covers:*

Illustrative example of subject matter classified in this place:



**F01B 3/0008**

Delete: The entire Special rules section.

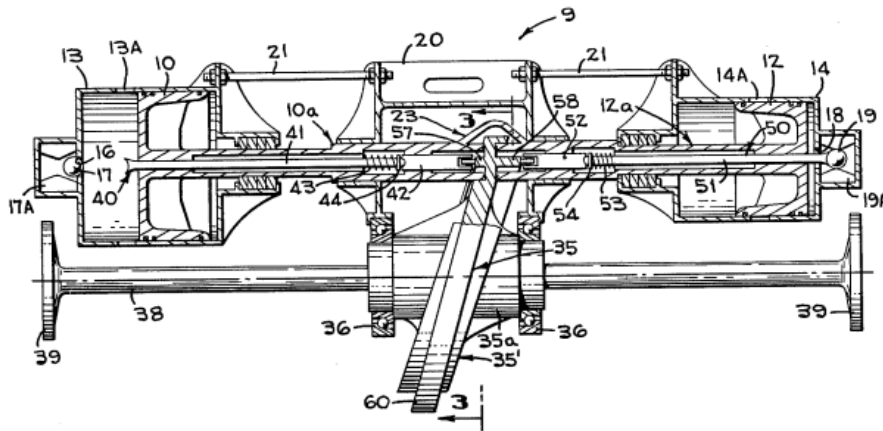
Insert: The following new Definition statement.

**Definition statement**

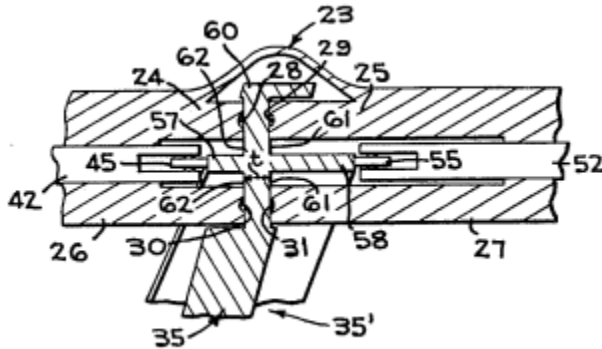
*This place covers:*

Illustrative example of subject matter classified in this place:

1a. Engine with coaxial pistons



1b. Power distribution member of coaxial piston engine actuated by a working fluid



1c. Graph of working characteristics of coaxial piston engine

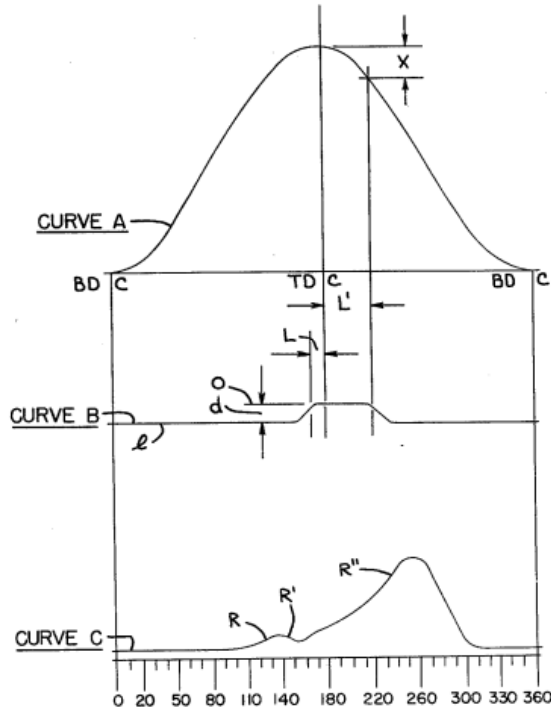


Figure 1c illustrates the operation of the coaxial piston engine. Curve A indicates the motion of the reciprocating piston (10) relative to the cylinder head with respect from bottom dead center [BDC] to top dead center [TDC]. Curve B indicates the lift of inlet valve (17) from its seat. Curve C indicates the motion of the push rod (41) relative to the face of the swash plate (35) thus depicting a cam profile.

**F01B 3/0011**

Delete: The entire Special rules section.

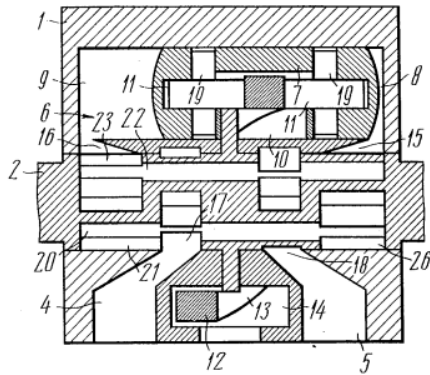
Insert: The following new Definition statement.

**Definition statement**

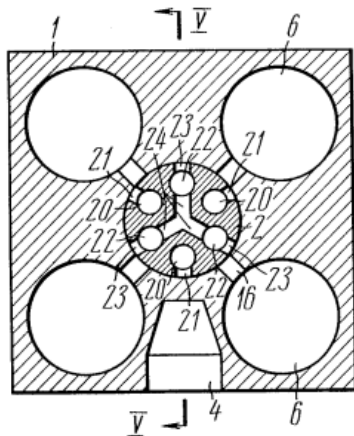
*This place covers:*

Illustrative example of subject matter classified in this place:

1a.



1b.



DATE: AUGUST 1, 2026

PROJECT RP12261

**F01B 3/0014**

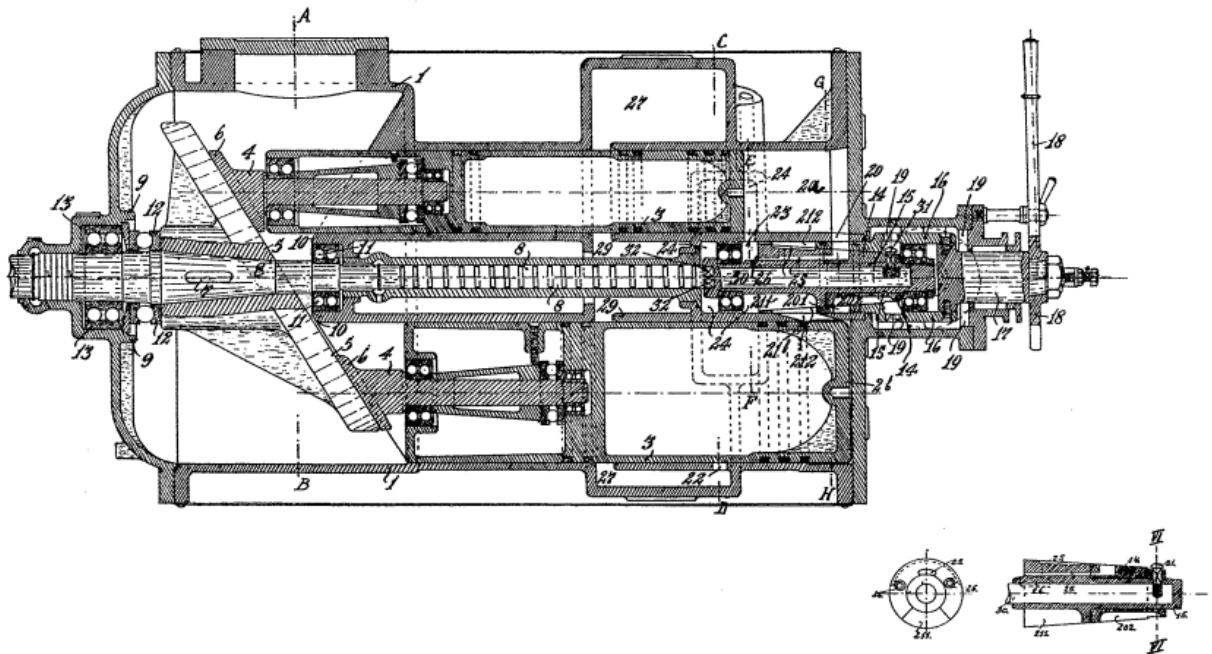
Delete: The entire Special rules section.

Insert: The following new Definition statement.

**Definition statement**

*This place covers:*

Illustrative example of subject matter classified in this place:



CPC NOTICE OF CHANGES 1927

DATE: AUGUST 1, 2026

PROJECT RP12261

**F01B 3/0032**

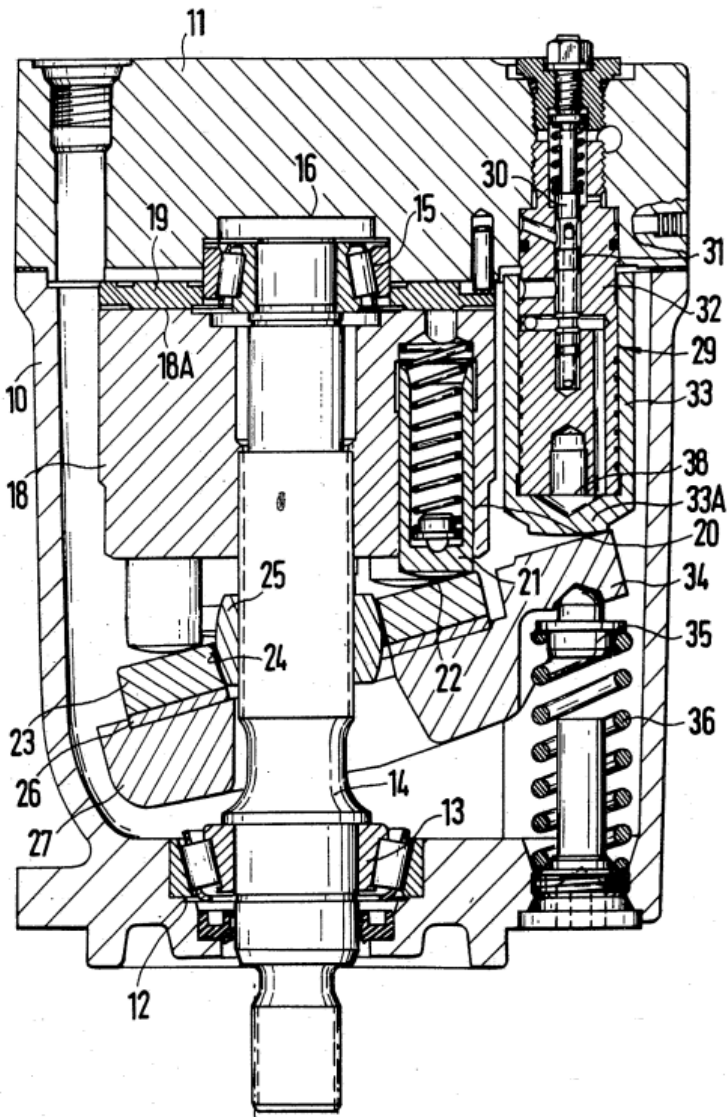
Delete: The entire Special rules section.

Insert: The following new Definition statement.

**Definition statement**

*This place covers:*

Illustrative example of subject matter classified in this place:



CPC NOTICE OF CHANGES 1927

DATE: AUGUST 1, 2026

PROJECT RP12261

**F01B 3/0038**

Delete: The entire Special rules section.

Insert: The following new Definition statement.

**Definition statement**

*This place covers:*

Illustrative example of subject matter classified in this place:



**F01B 3/0041**

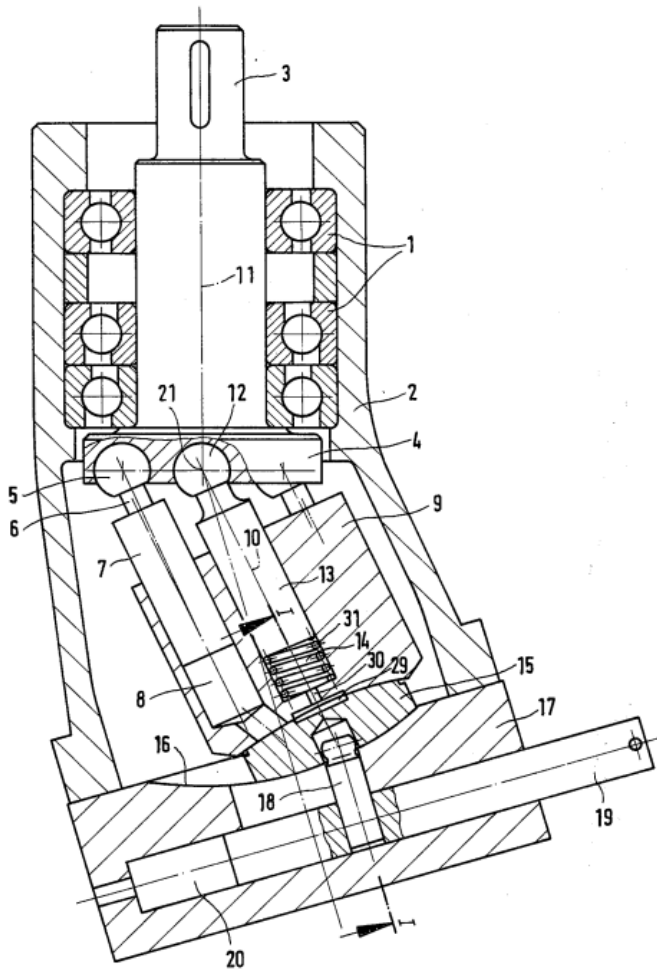
Delete: The entire Special rules section.

Insert: The following new Definition statement.

**Definition statement**

*This place covers:*

Illustrative example of subject matter classified in this place:



**F01B 3/0047**

Delete: The entire Special rules section.

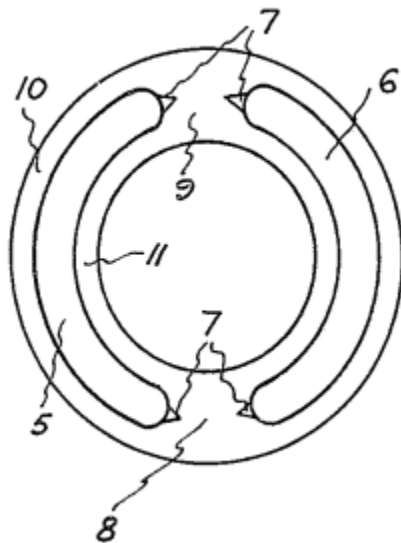
Insert: The following new Definition statement.

**Definition statement**

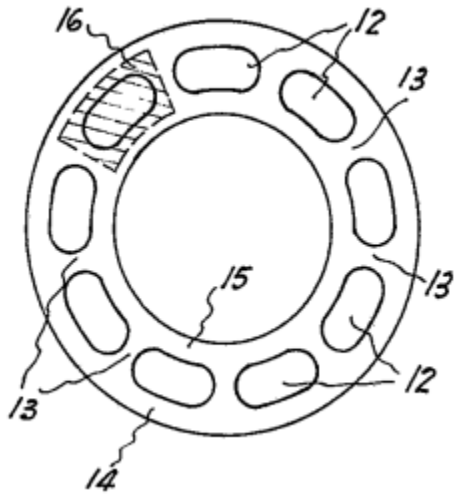
*This place covers:*

Illustrative examples of subject matter classified in this place:

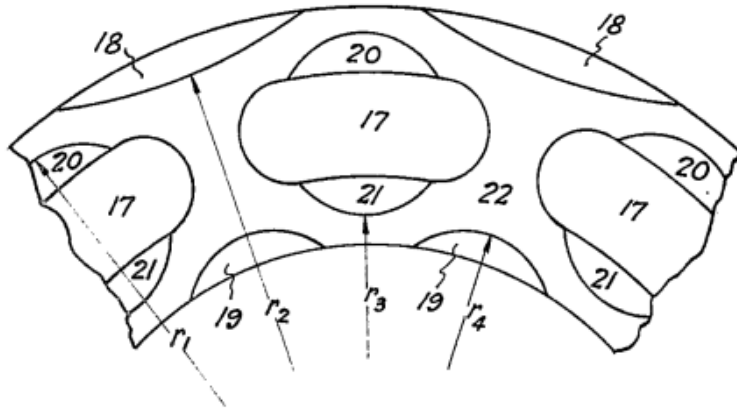
1. Cylinder barrel openings for valve plate



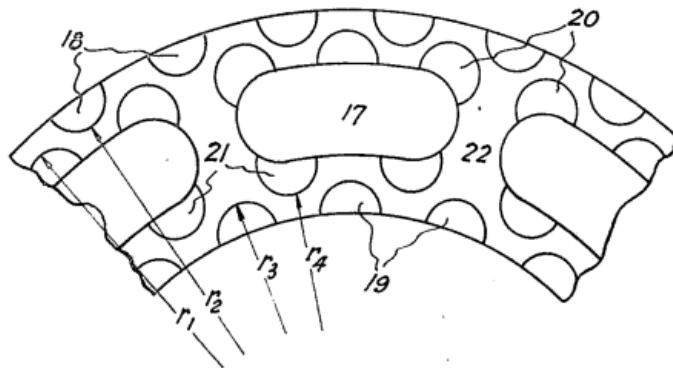
2. Cylinder barrel openings for valve plate



3. Cylinder barrel openings for valve plate



4. Cylinder barrel openings for valve plate



**F01B 3/005**

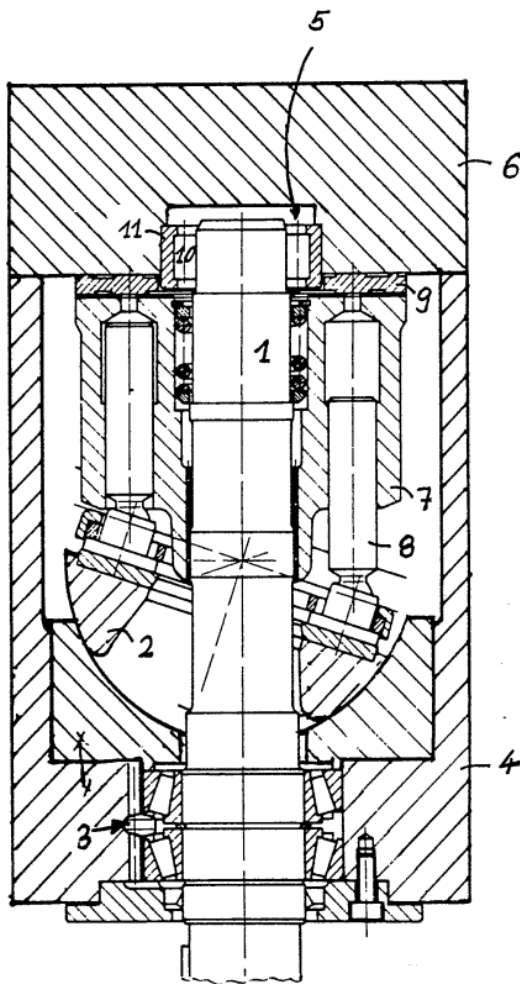
Delete: The entire Special rules section.

Insert: The following new Definition statement.

**Definition statement**

*This place covers:*

Illustrative example of subject matter classified in this place:



**F01B 3/0052**

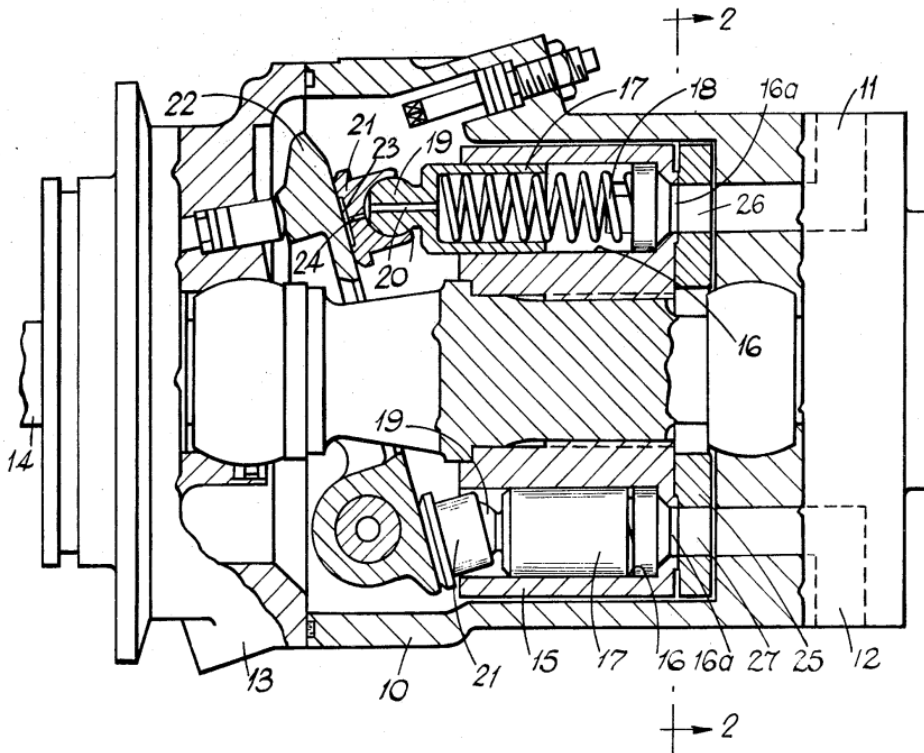
Delete: The entire Special rules section.

Insert: The following new Definition statement.

**Definition statement**

*This place covers:*

Illustrative example of subject matter classified in this place:



**F01B 3/0061**

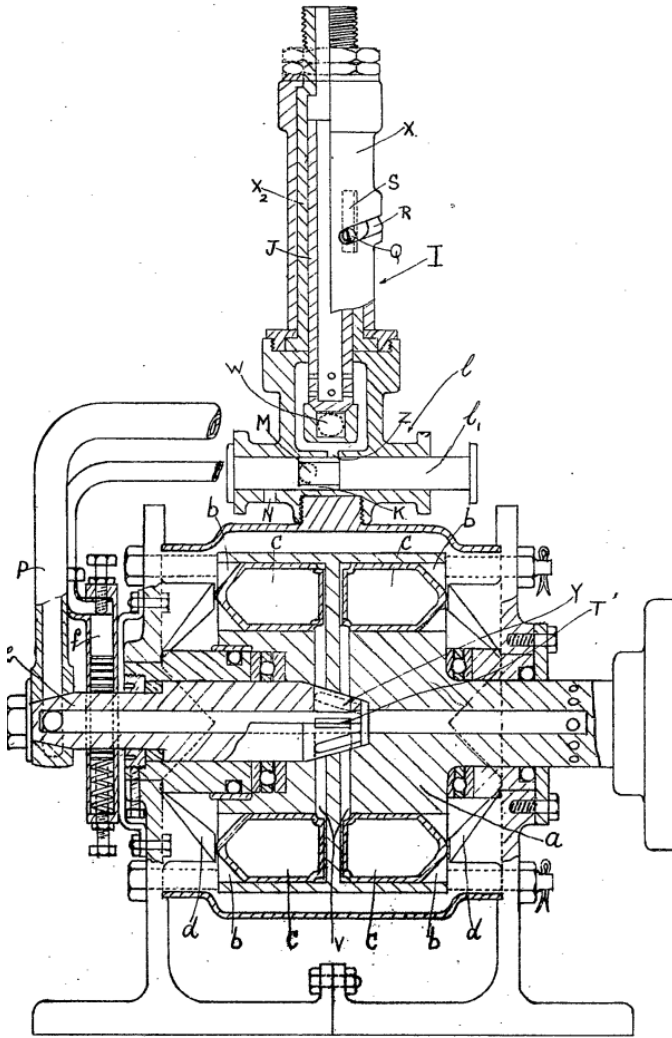
Delete: The entire Special rules section.

Insert: The following new Definition statement.

**Definition statement**

*This place covers:*

Illustrative example of subject matter classified in this place:



**F01B 3/007**

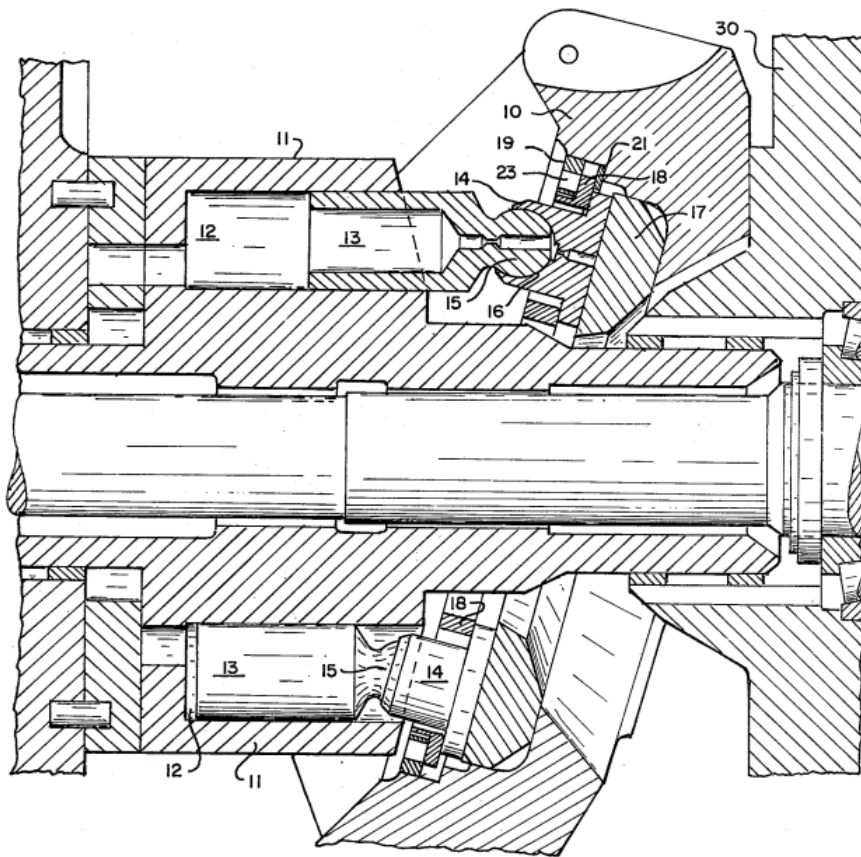
Delete: The entire Special rules section.

Insert: The following new Definition statement.

**Definition statement**

*This place covers:*

Illustrative example of subject matter classified in this place:



**F01B 3/0076**

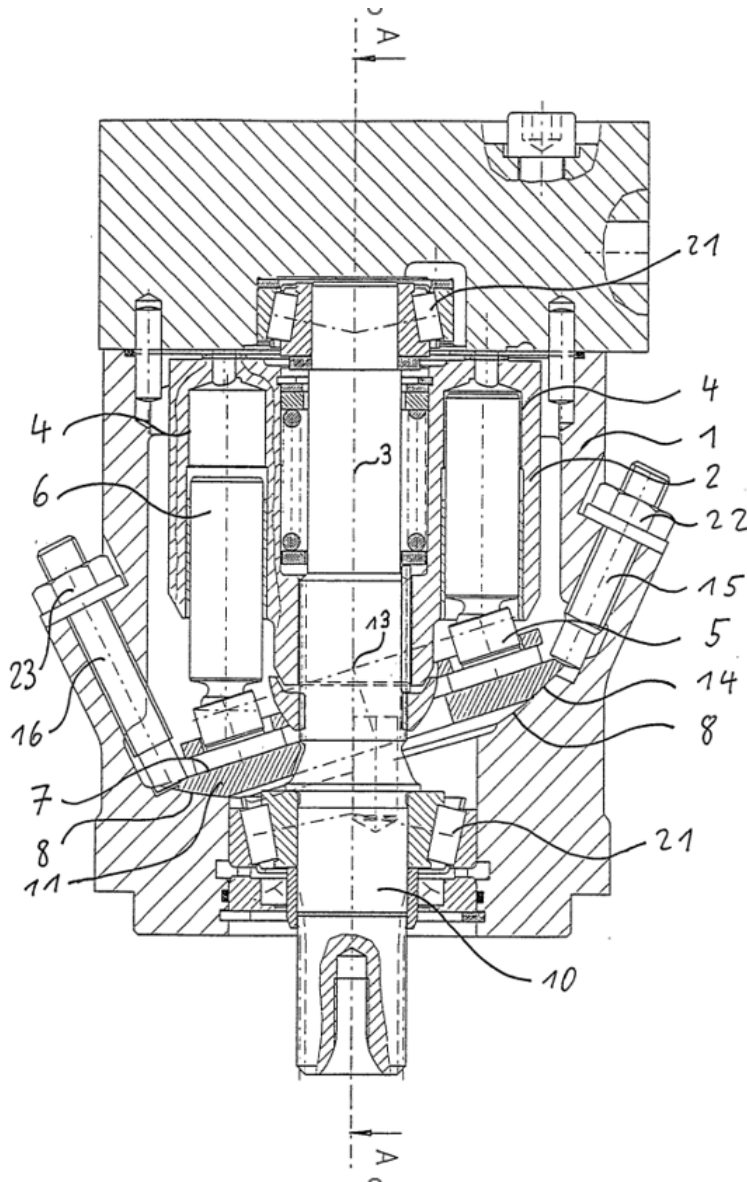
Delete: The entire Special rules section.

Insert: The following new Definition statement.

**Definition statement**

*This place covers:*

Illustrative example of subject matter classified in this place:



CPC NOTICE OF CHANGES 1927

DATE: AUGUST 1, 2026

PROJECT RP12261

**F01B 3/02**

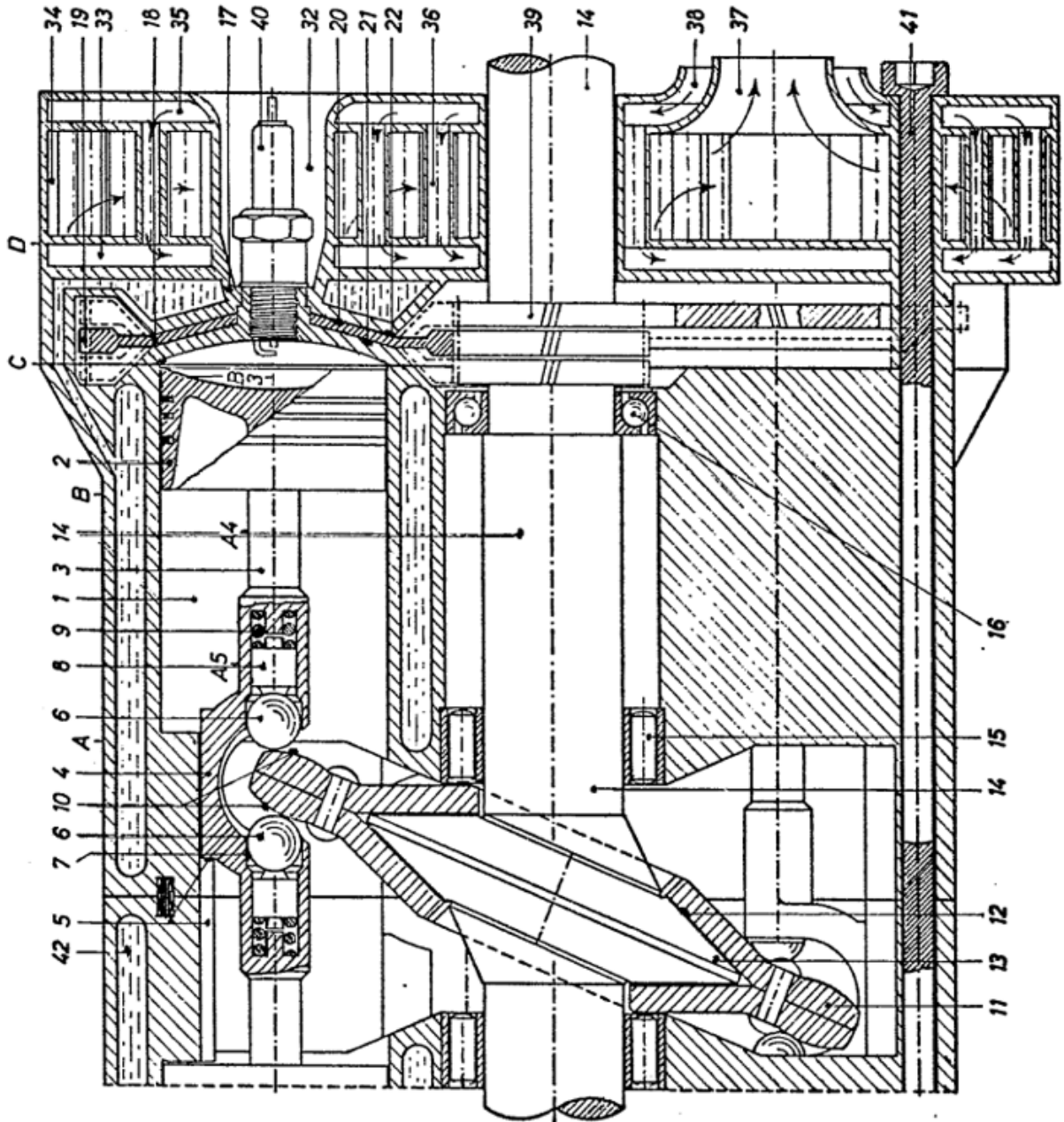
Delete: The entire Special rules section.

Insert: The following new Definition statement.

**Definition statement**

*This place covers:*

Illustrative example of subject matter classified in this place:



**F01B 3/045**

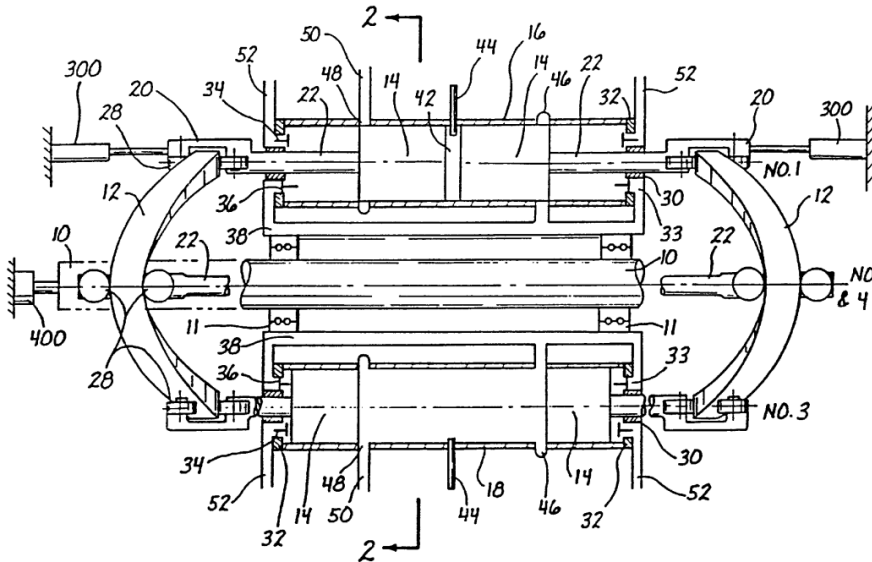
Delete: The entire Special rules section.

Insert: The following new Definition statement.

**Definition statement**

*This place covers:*

Illustrative example of subject matter classified in this place:



**F01B 3/06**

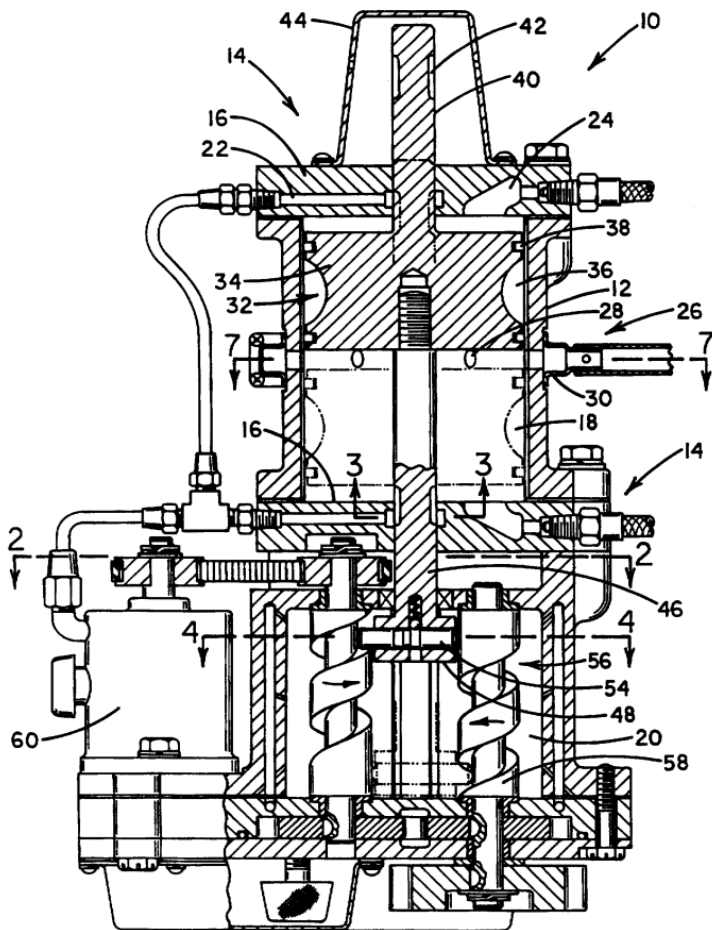
Delete: The entire Special rules section.

Insert: The following new Definition statement.

**Definition statement**

*This place covers:*

Illustrative example of subject matter classified in this place:



**F01B 3/08**

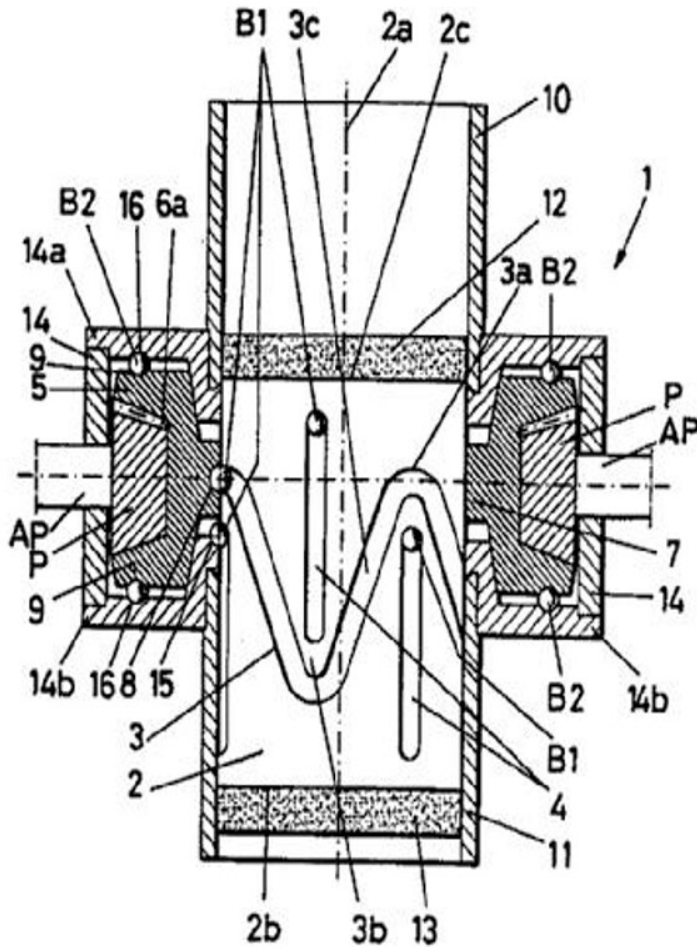
Delete: The entire Special rules section.

Insert: The following new Definition statement.

**Definition statement**

This place covers:

Illustrative example of subject matter classified in this place:



**F01B 3/103**

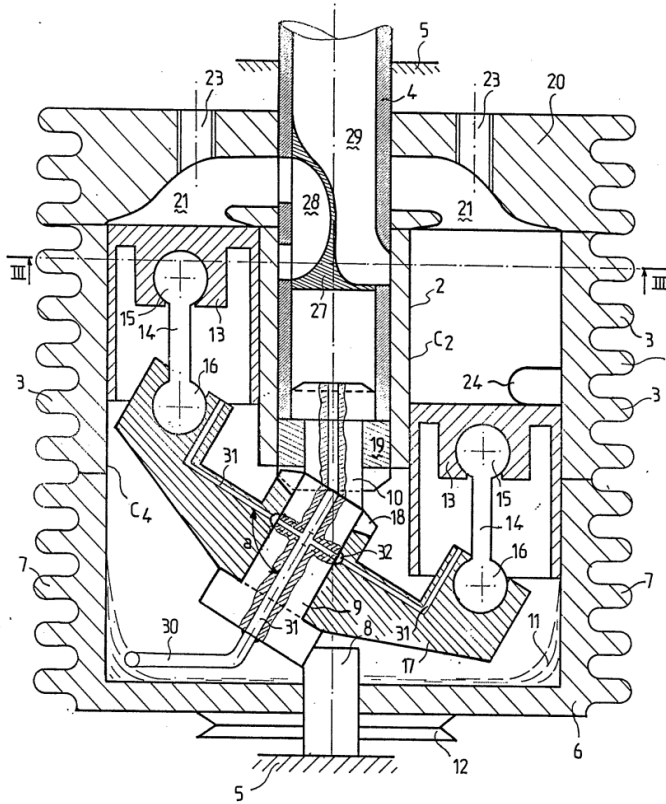
Delete: The entire Special rules section.

Insert: The following new Definition statement.

**Definition statement**

*This place covers:*

Illustrative example of subject matter classified in this place:



DATE: AUGUST 1, 2026

PROJECT RP12261

**F01B 3/104**

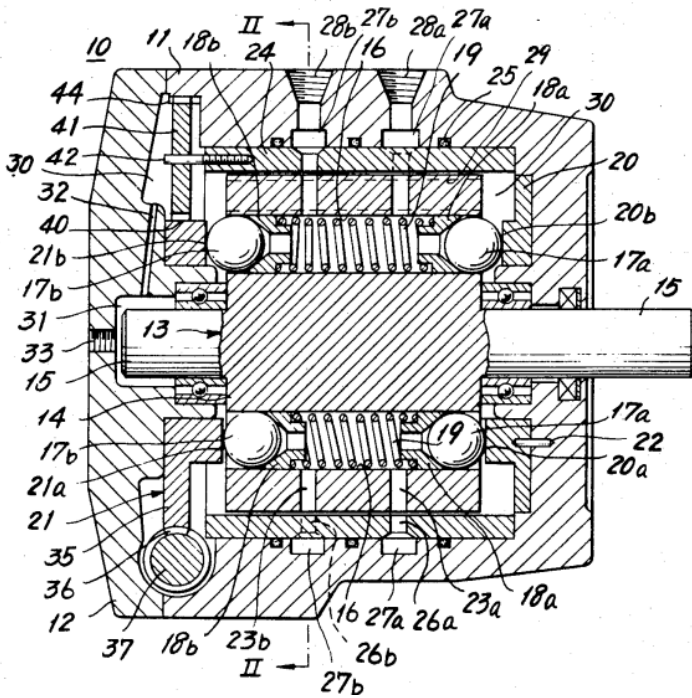
Delete: The entire Special rules section.

Insert: The following new Definition statement.

**Definition statement**

This place covers:

Illustrative example of subject matter classified in this place:



**F01B 3/106**

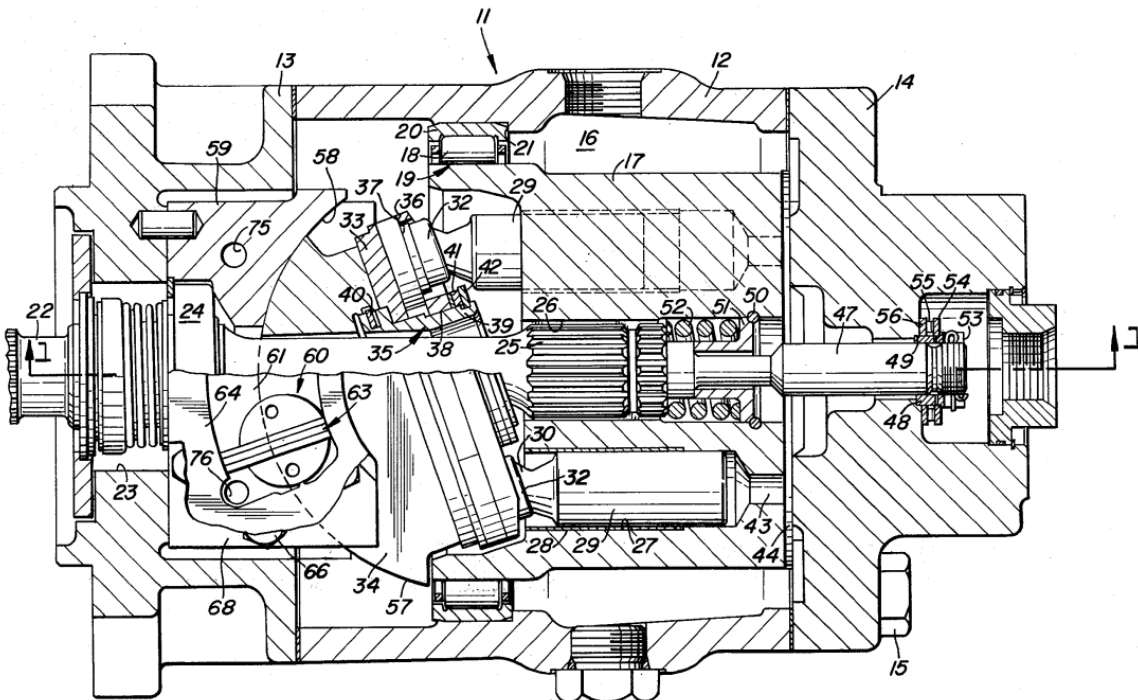
Delete: The entire Special rules section.

Insert: The following new Definition statement.

**Definition statement**

*This place covers:*

Illustrative example of subject matter classified in this place:



**F01B 3/108**

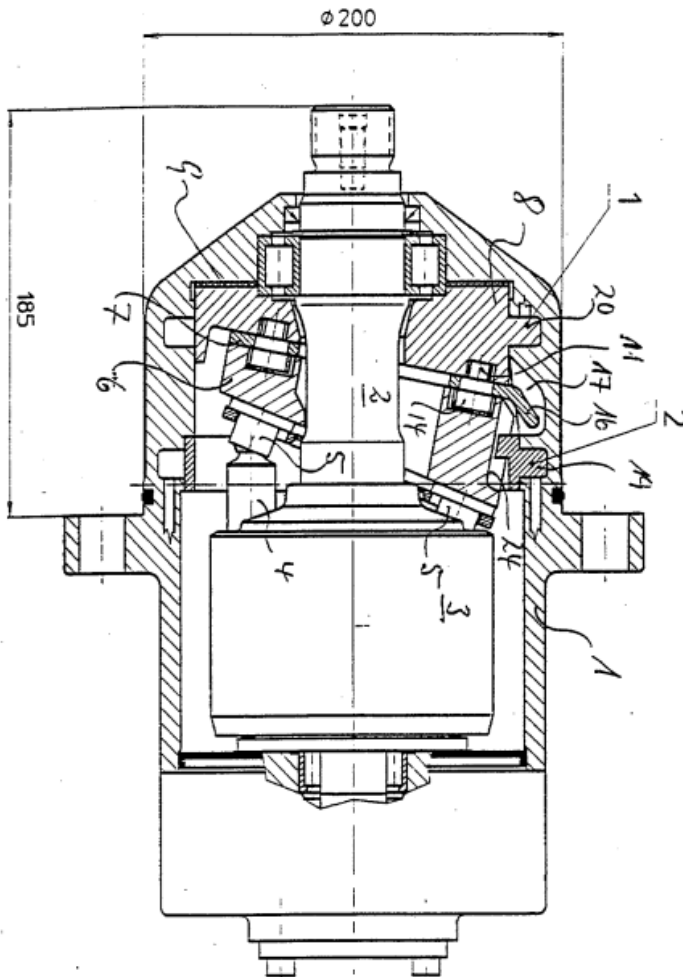
Delete: The entire Special rules section.

Insert: The following new Definition statement.

**Definition statement**

*This place covers:*

Illustrative example of subject matter classified in this place:



**F01B 5/00**

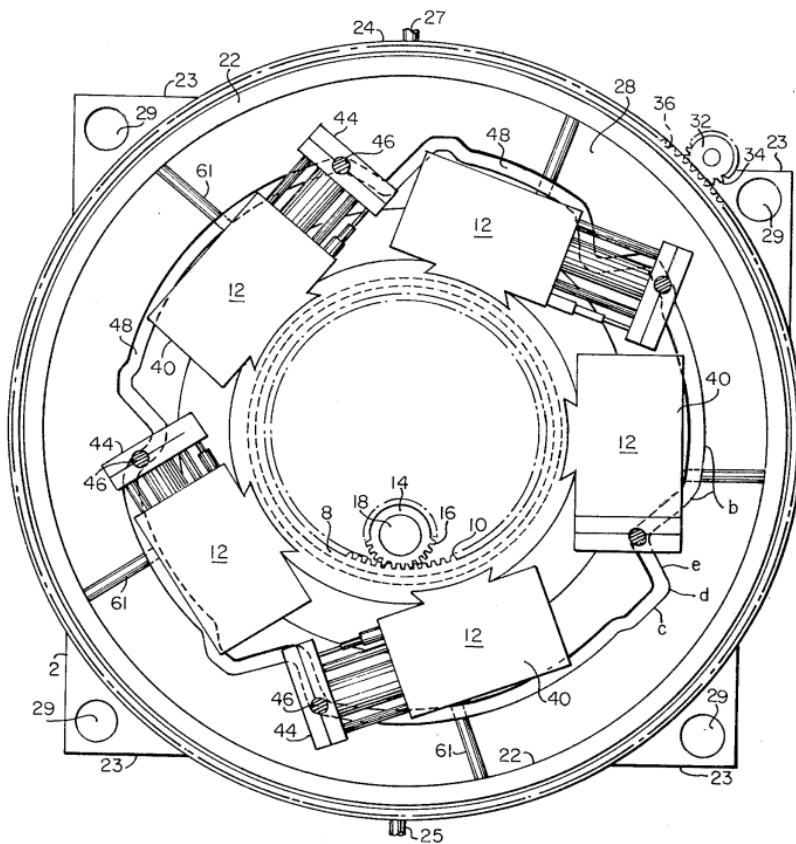
Delete: The entire Special rules section.

Insert: The following new Definition statement.

**Definition statement**

*This place covers:*

Illustrative example of subject matter classified in this place:



**F01B 5/003**

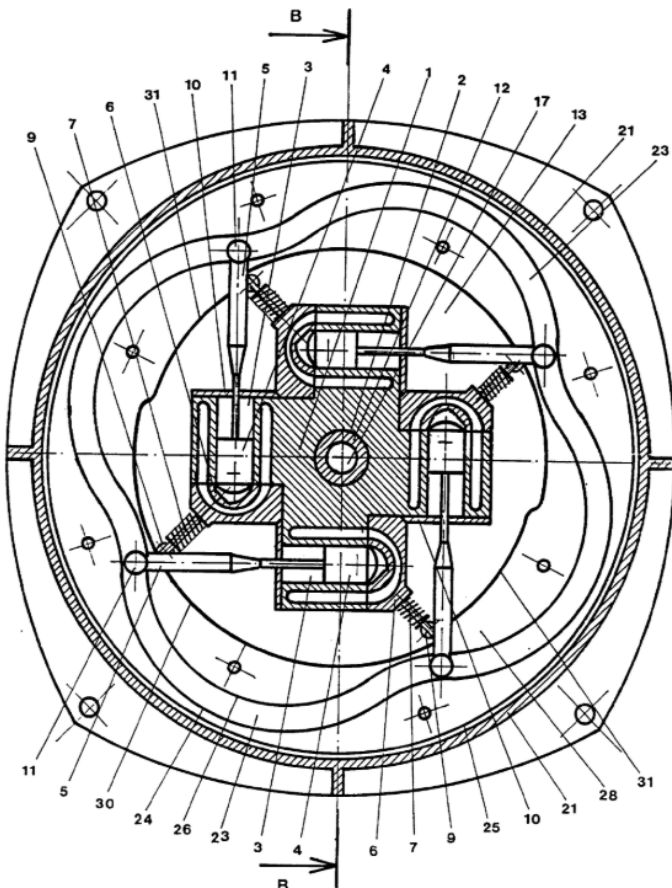
Delete: The entire Special rules section.

Insert: The following new Definition statement.

**Definition statement**

*This place covers:*

Illustrative example of subject matter classified in this place:



**F01B 5/006**

Delete: The entire Special rules section.

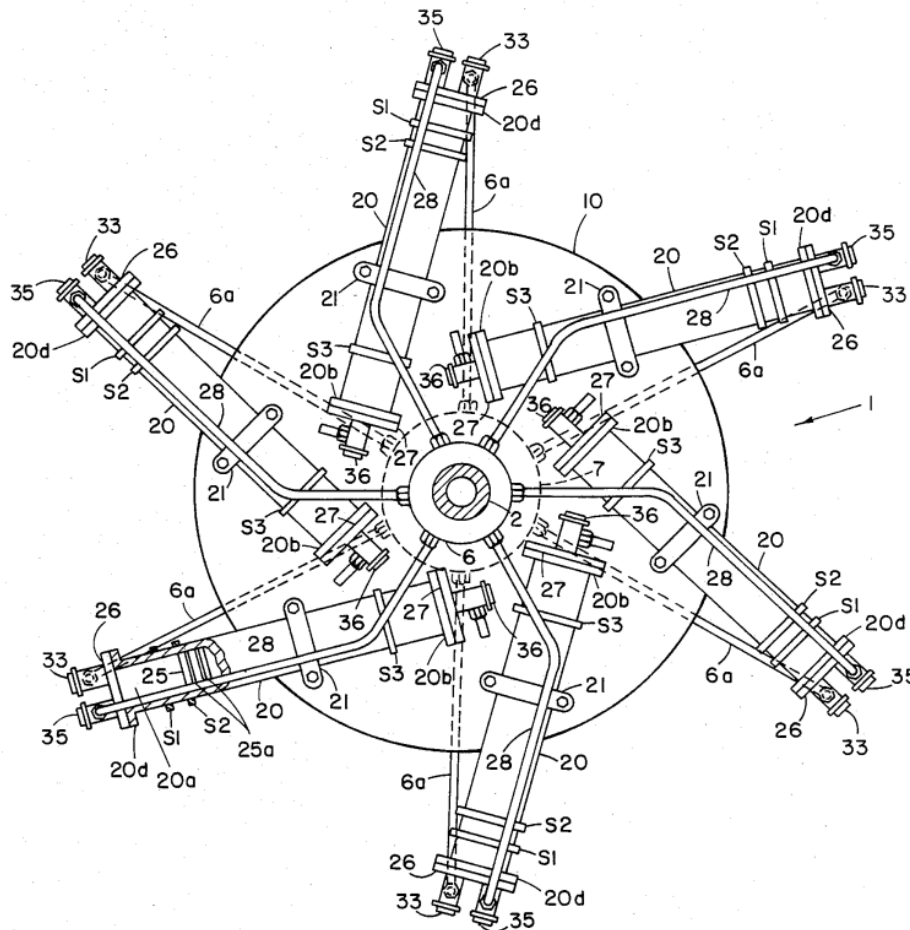
Insert: The following new Definition statement.

**Definition statement**

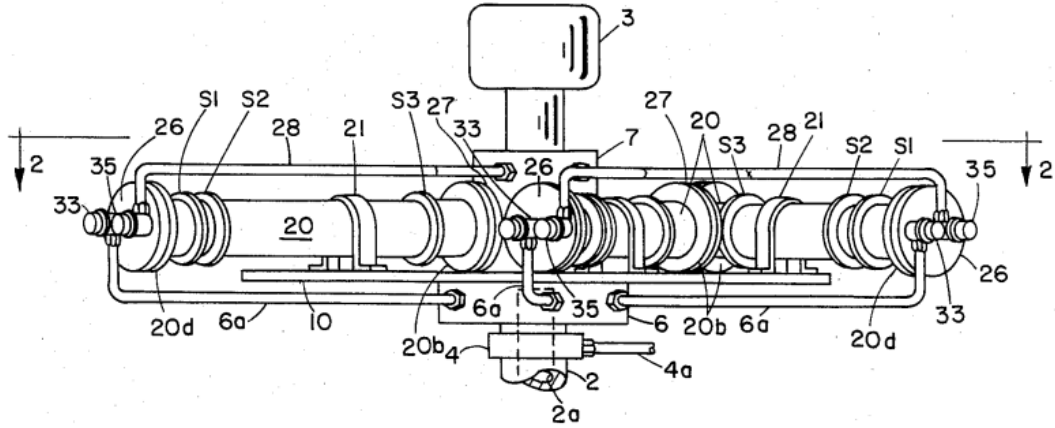
*This place covers:*

Illustrative example of subject matter classified in this place:

1a.



1b.



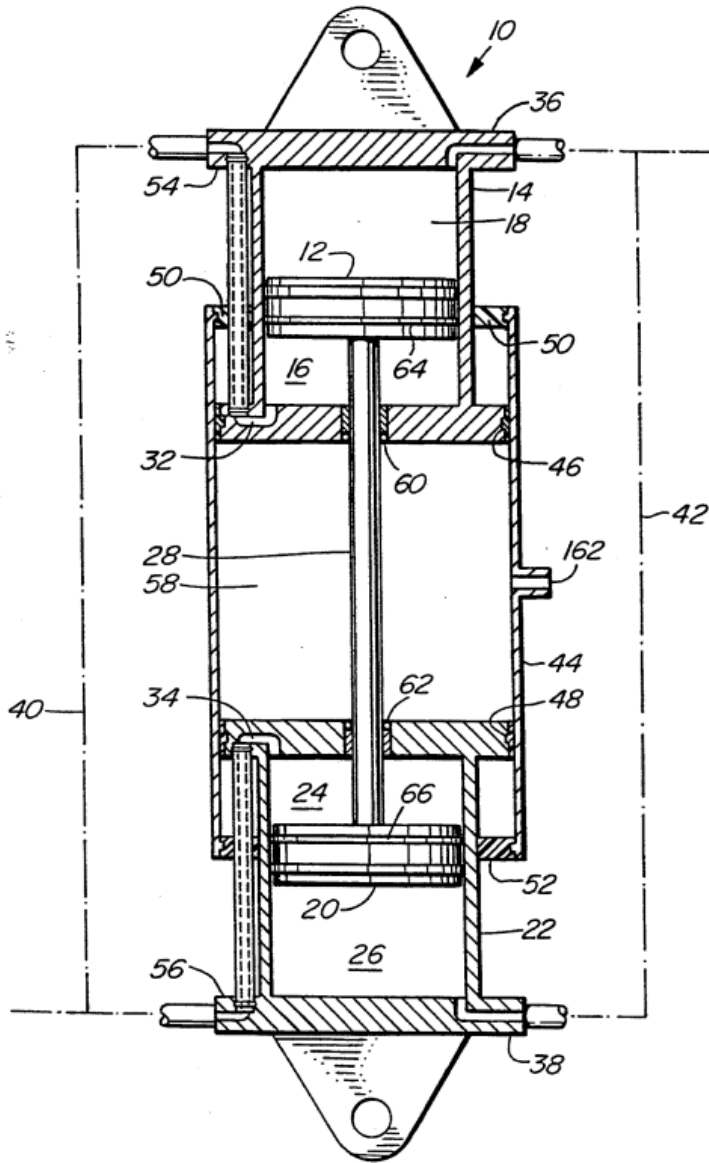
**F01B 7/00**

Insert: The following new Definition statement section.

**Definition statement**

*This place covers:*

Illustrative example of subject matter classified in this place:



Delete: The entire Special rules of classification section.

**F01B 7/02**

Delete: The entire Special rules section.

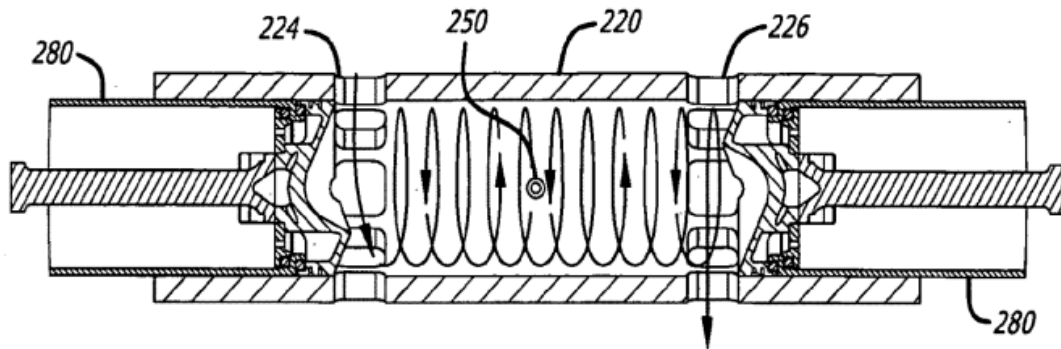
Insert: The following new Definition statement.

**Definition statement**

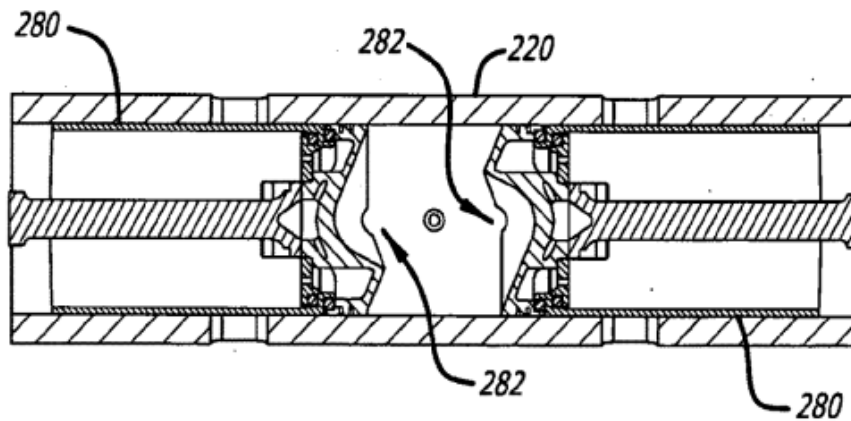
*This place covers:*

Illustrative example of subject matter classified in this place:

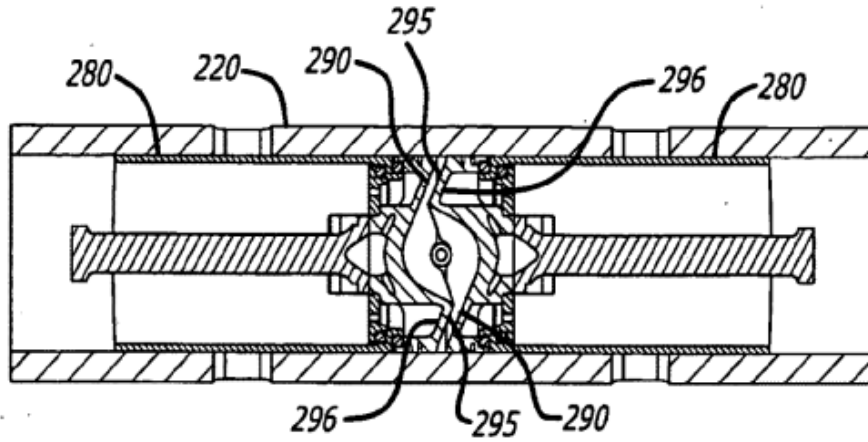
1a.



1b.



1c.



**F01B 7/06**

Delete: The entire Special rules section.

Insert: The following new Definition statement.

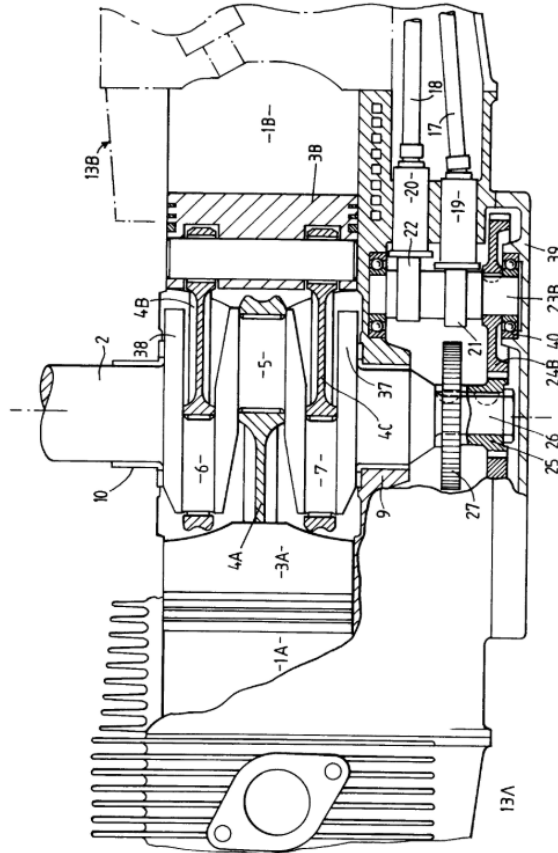
**Definition statement**

*This place covers:*

Illustrative example of subject matter classified in this place:

DATE: AUGUST 1, 2026

PROJECT RP12261



**F01B 7/08**

Delete: The entire Special rules section.

Insert: The following new Definition statement.

**Definition statement**

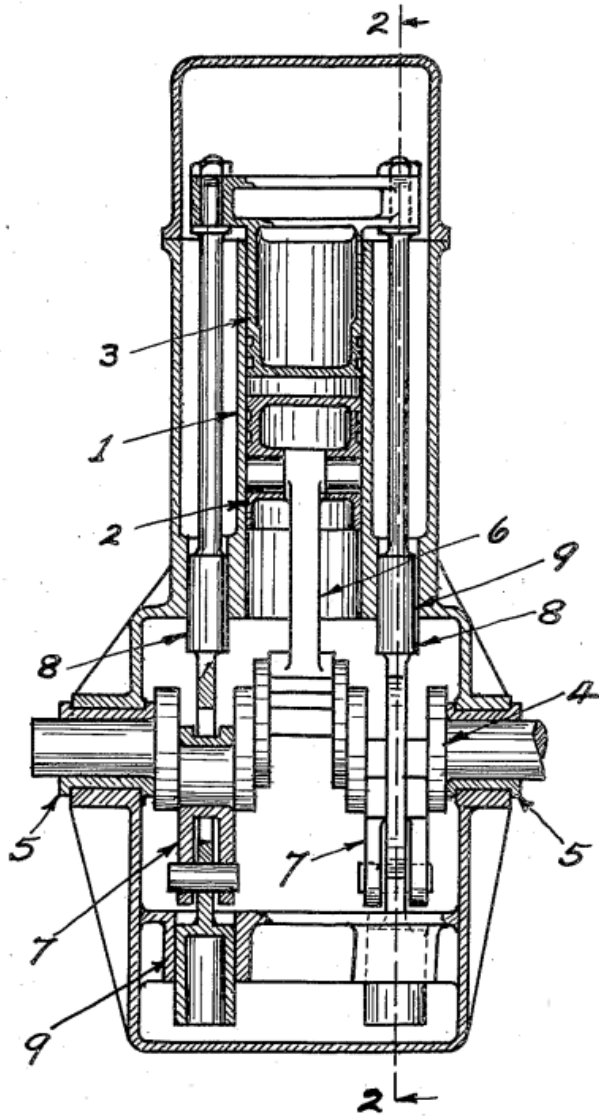
*This place covers:*

Illustrative example of subject matter classified in this place:

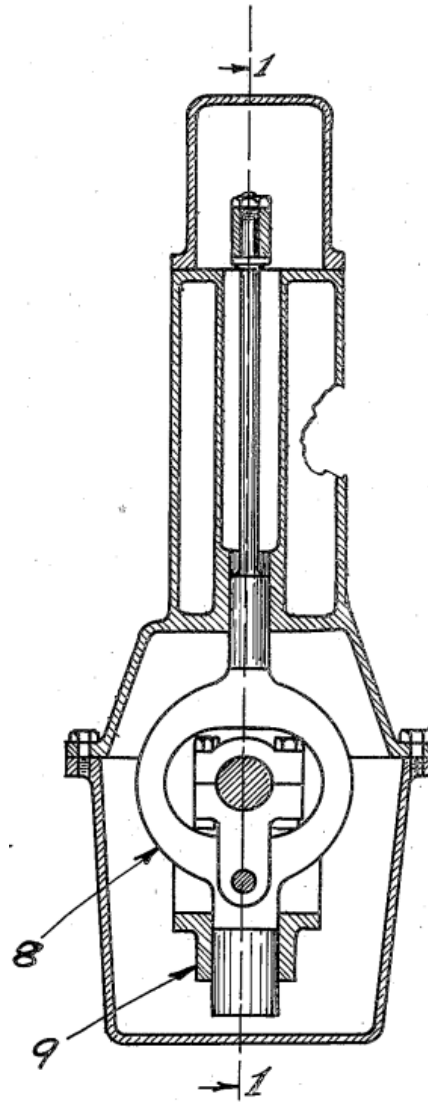
DATE: AUGUST 1, 2026

PROJECT RP12261

1a.



1b.



**F01B 7/10**

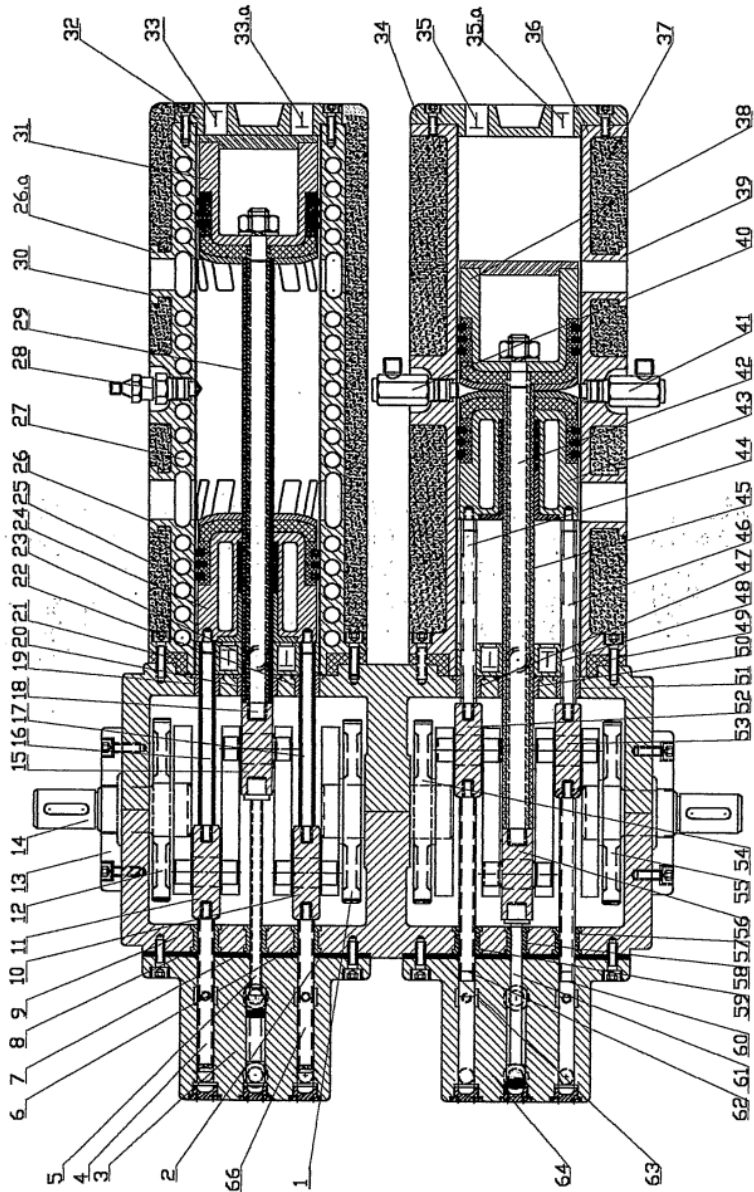
Delete: The entire Special rules section.

Insert: The following new Definition statement.

**Definition statement**

*This place covers:*

Illustrative example of subject matter classified in this place:



CPC NOTICE OF CHANGES 1927

DATE: AUGUST 1, 2026

PROJECT RP12261

**F01B 7/12**

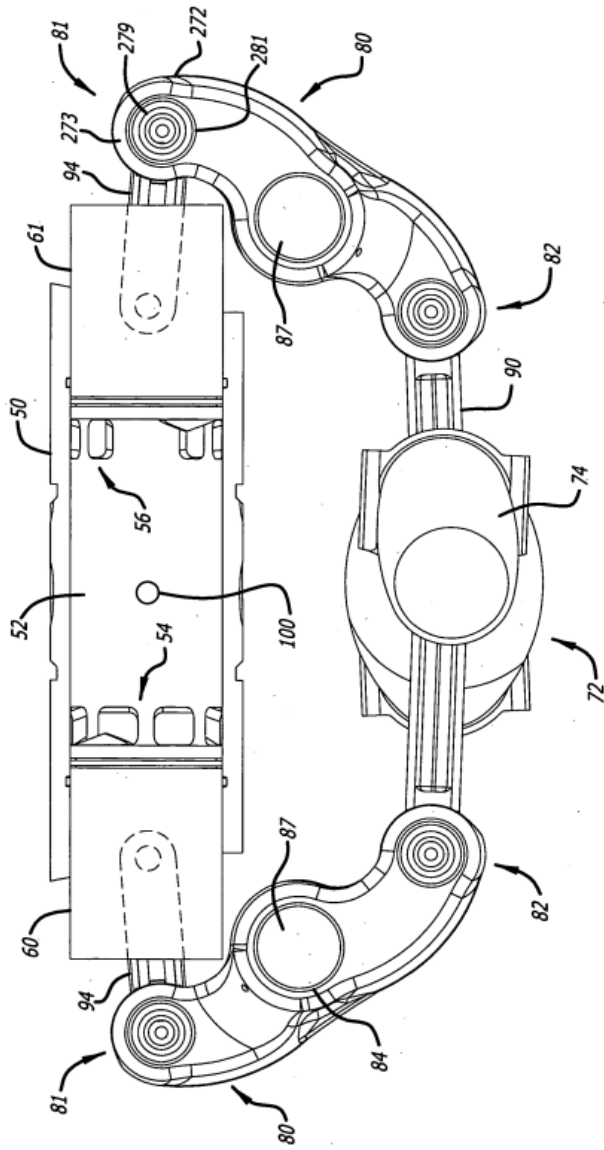
Delete: The entire Special rules section.

Insert: The following new Definition statement.

**Definition statement**

*This place covers:*

Illustrative example of subject matter classified in this place:



**F01B 7/14**

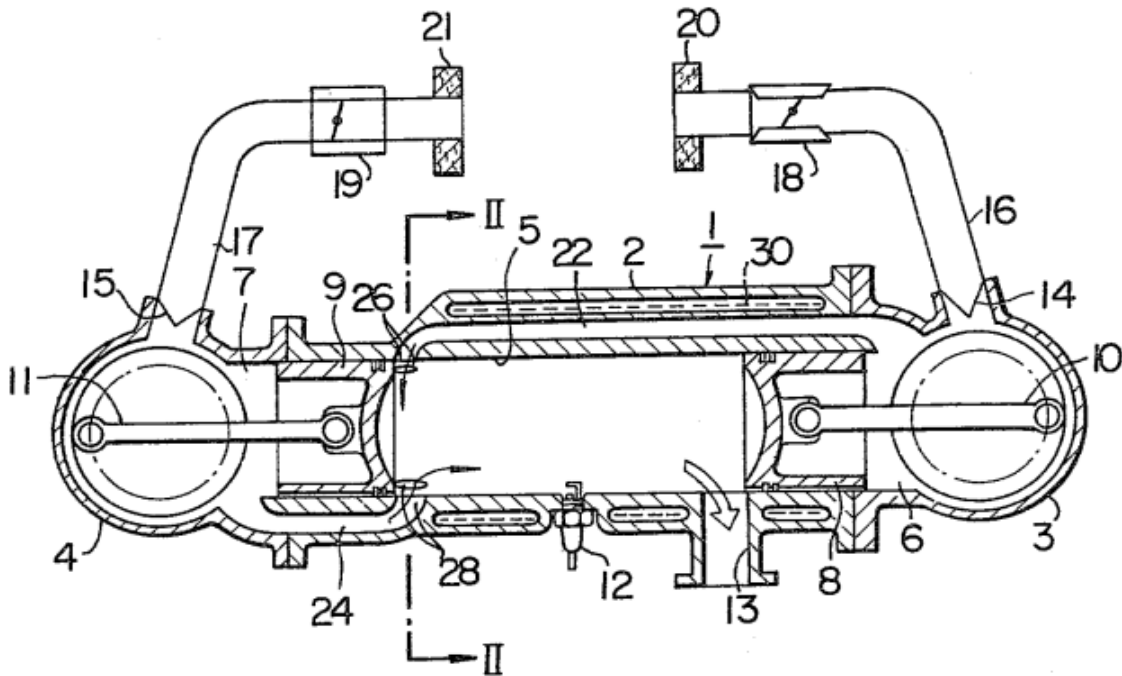
Delete: The entire Special rules section.

Insert: The following new Definition statement.

**Definition statement**

*This place covers:*

Illustrative example of subject matter classified in this place:



CPC NOTICE OF CHANGES 1927

DATE: AUGUST 1, 2026

PROJECT RP12261

**F01B 7/16**

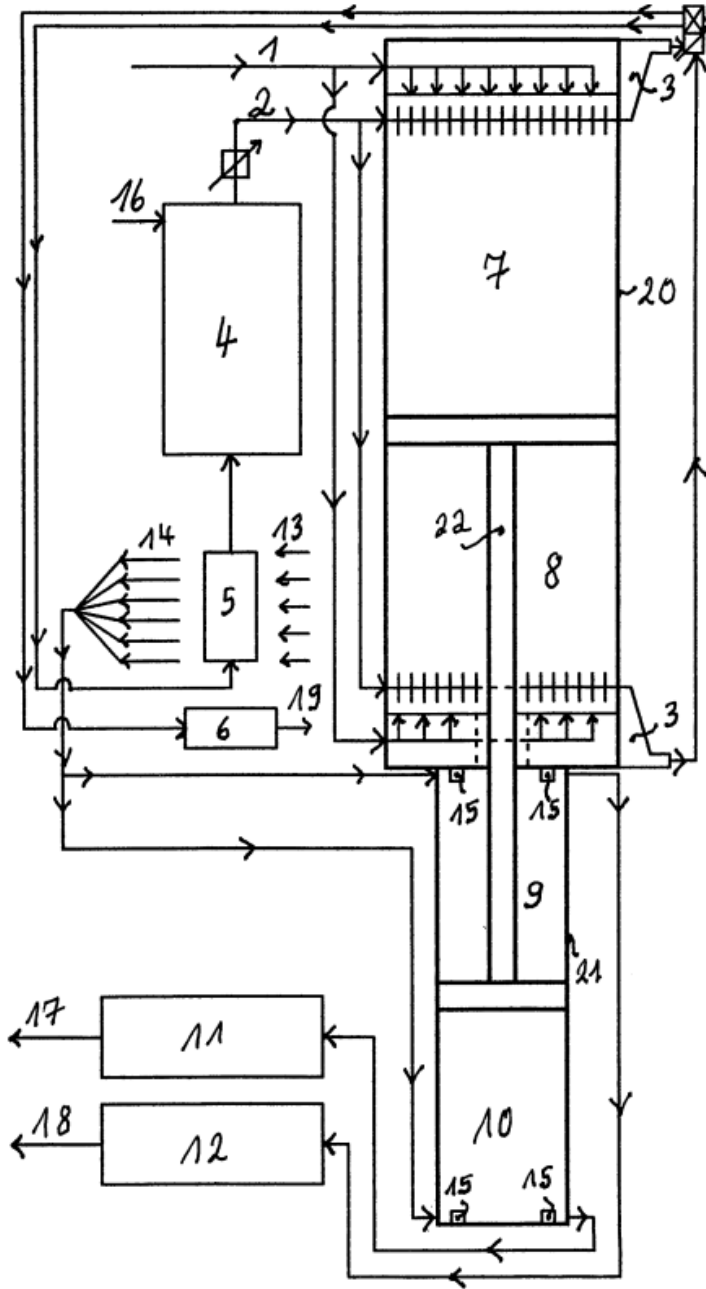
Delete: The entire Special rules section.

Insert: The following new Definition statement.

**Definition statement**

*This place covers:*

Illustrative example of subject matter classified in this place:



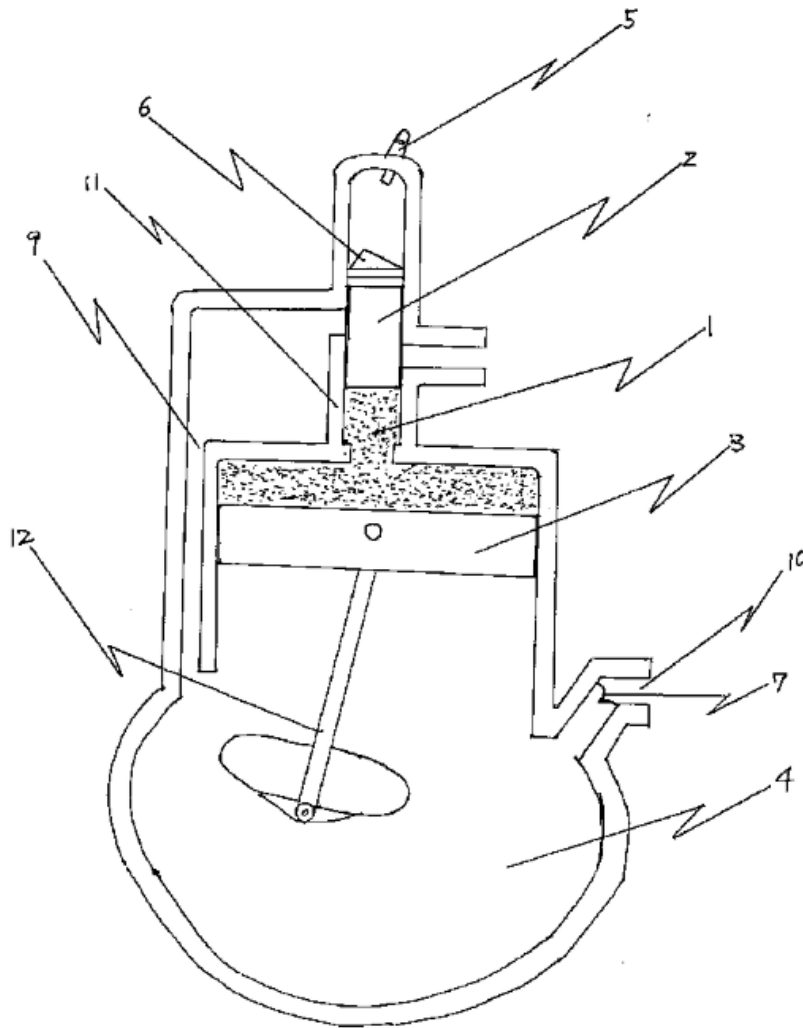
**F01B 7/18**

Insert: The following new Definition statement.

**Definition statement**

*This place covers:*

Illustrative example of subject matter classified in this place:



CPC NOTICE OF CHANGES 1927

DATE: AUGUST 1, 2026

PROJECT RP12261

**References**

***Limiting references***

Replace: The Limiting references table with the revised table below.

Machines or engines with two or more pistons reciprocating one within another	<a href="#">F01B 7/20</a>
---	---------------------------

Delete: The entire Special rules section.

**F01B 7/20**

Delete: The entire Special rules section.

Insert: The following new Definition statement.

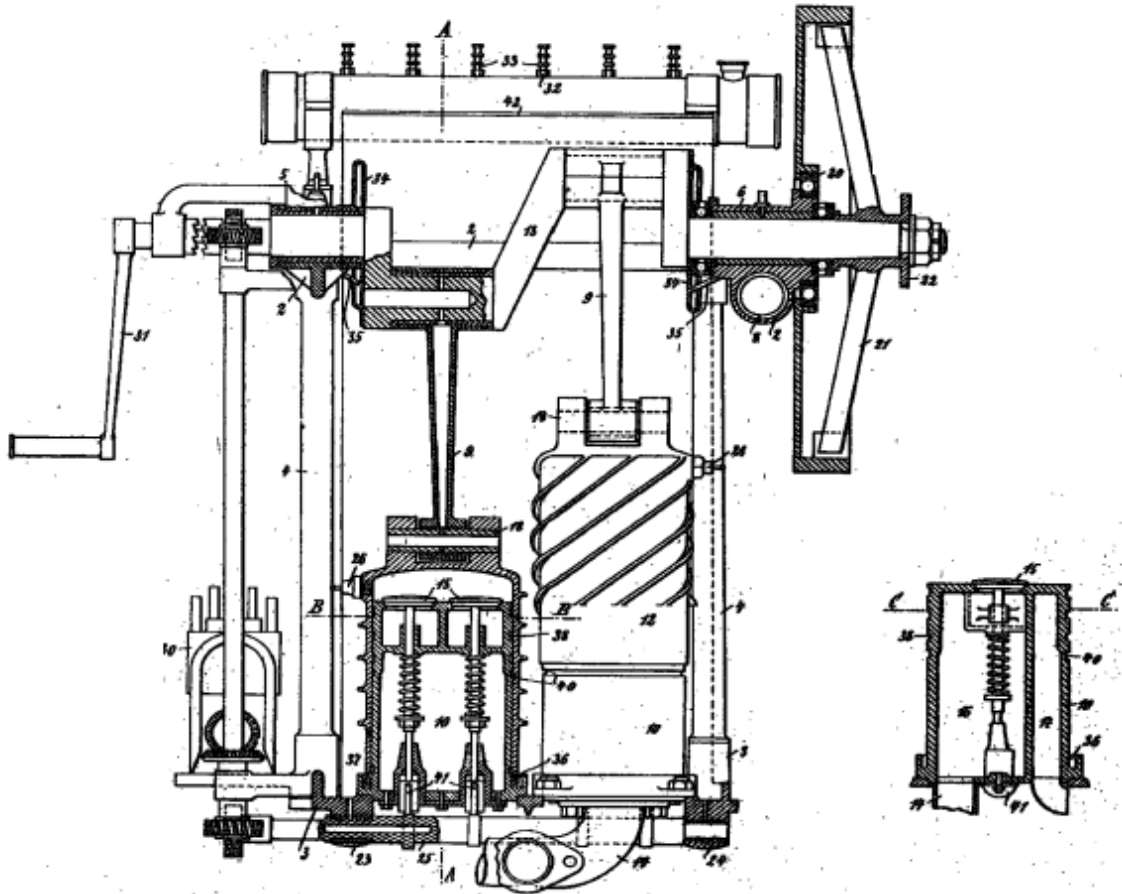
**Definition statement**

*This place covers:*

Illustrative example of subject matter classified in this place:

DATE: AUGUST 1, 2026

PROJECT RP12261



**F01B 9/02**

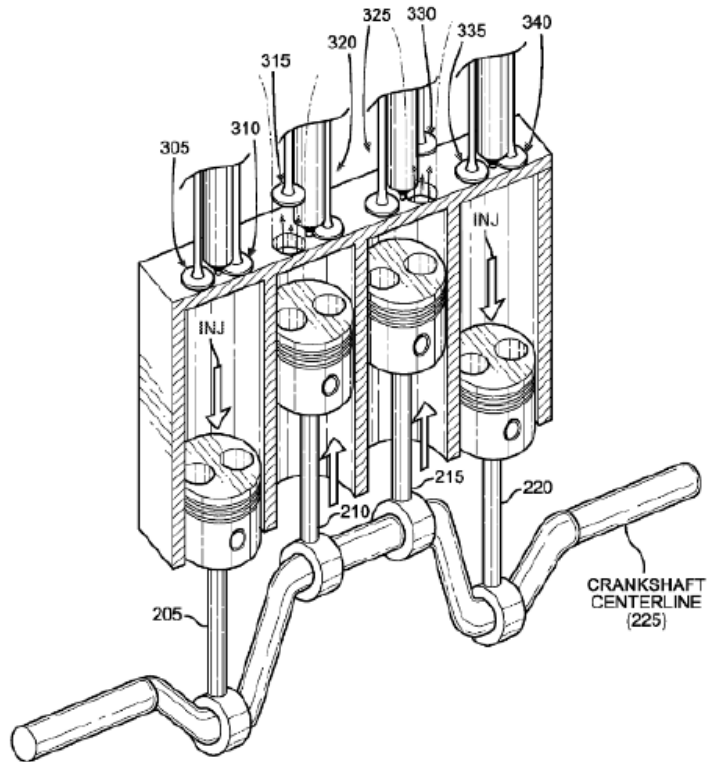
Delete: The entire Special rules section.

Insert: The following new Definition statement.

**Definition statement**

*This place covers:*

Illustrative example of subject matter classified in this place:



**F01B 9/023**

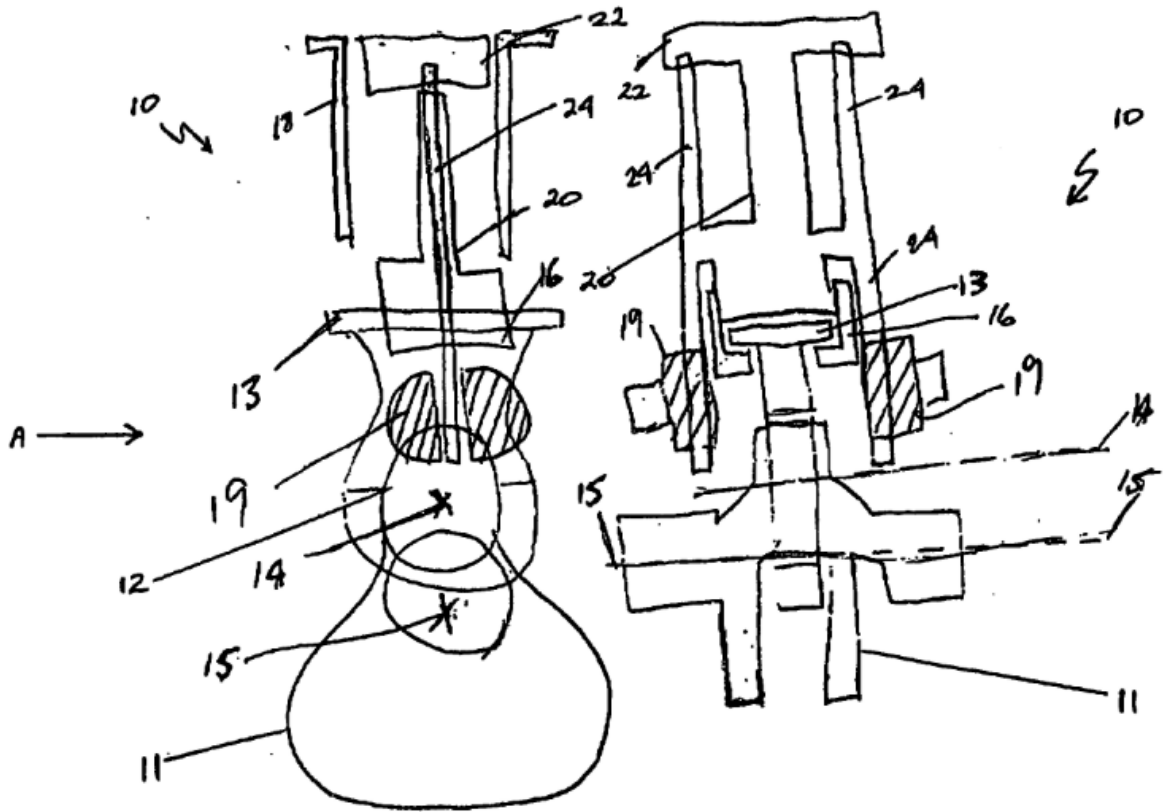
Delete: The entire Special rules section.

Insert: The following new Definition statement.

**Definition statement**

*This place covers:*

Illustrative example of subject matter classified in this place:



**F01B 9/04**

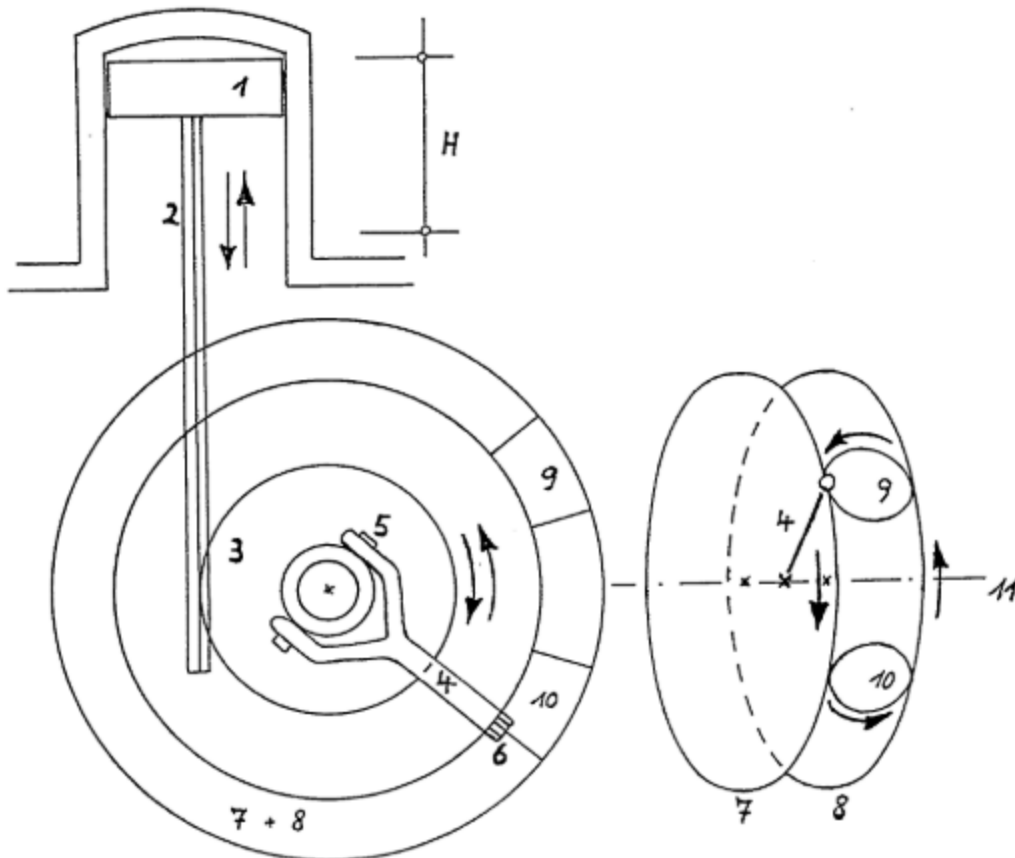
Delete: The entire Special rules section.

Insert: The following new Definition statement.

**Definition statement**

*This place covers:*

Illustrative example of subject matter classified in this place:



CPC NOTICE OF CHANGES 1927

DATE: AUGUST 1, 2026

PROJECT RP12261

**F01B 9/042**

Delete: The entire Special rules section.

Insert: The following new Definition statement.

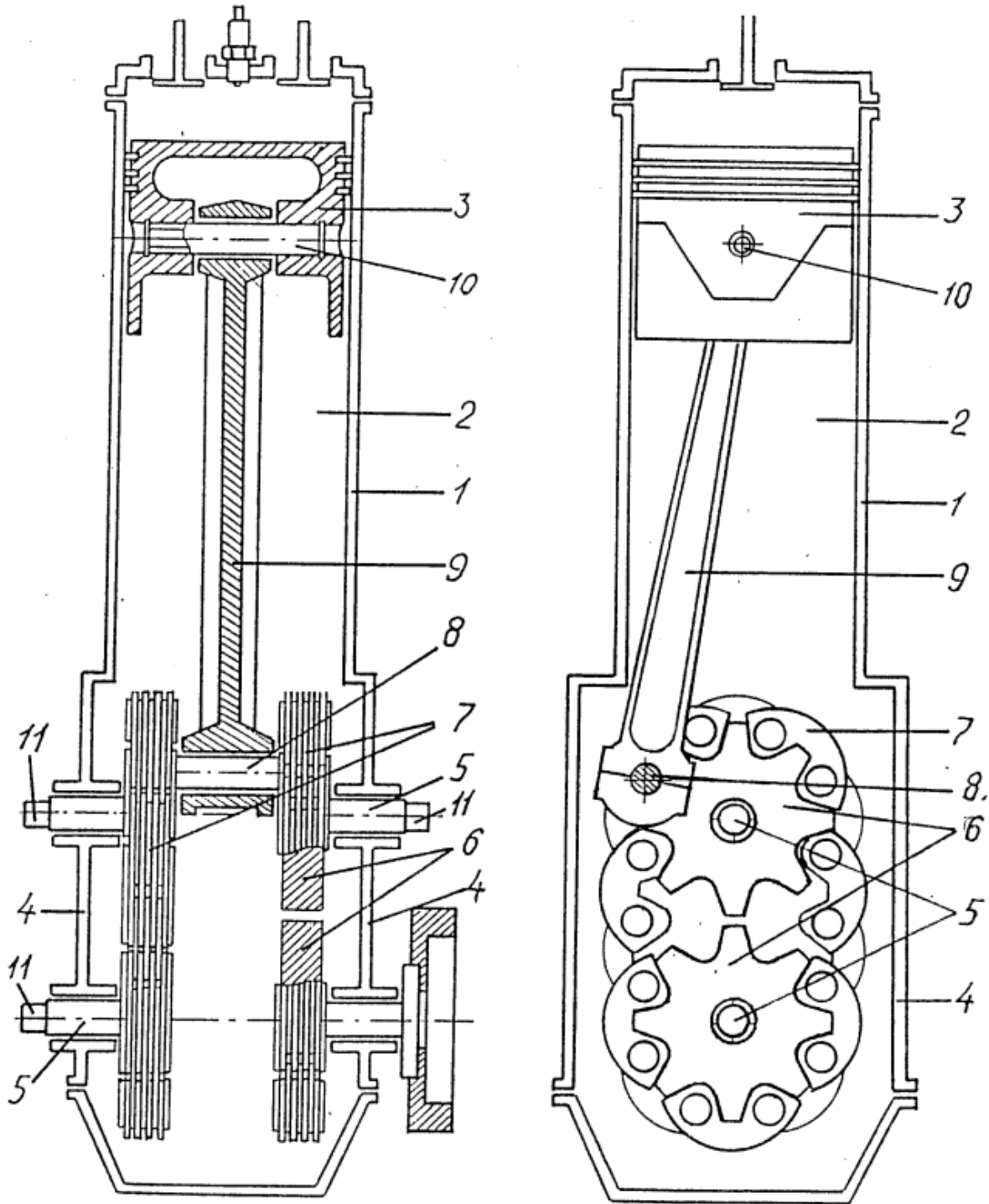
**Definition statement**

*This place covers:*

Illustrative example of subject matter classified in this place:

DATE: AUGUST 1, 2026

PROJECT RP12261



CPC NOTICE OF CHANGES 1927

DATE: AUGUST 1, 2026

PROJECT RP12261

**F01B 9/047**

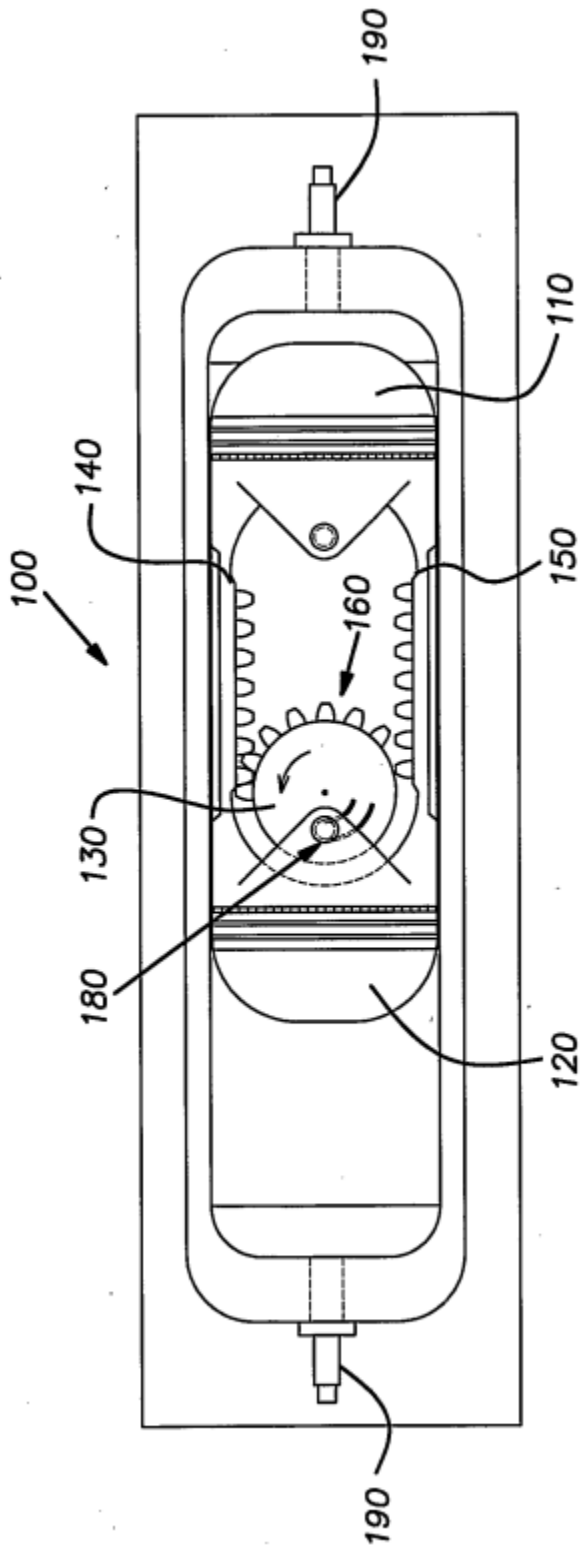
Delete: The entire Special rules section.

Insert: The following new Definition statement.

**Definition statement**

*This place covers:*

Illustrative example of subject matter classified in this place:



**F01B 9/06**

Delete: The entire Special rules section.

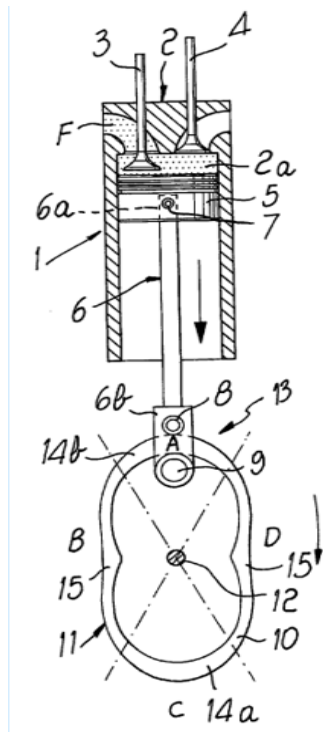
Insert: The following new Definition statement.

**Definition statement**

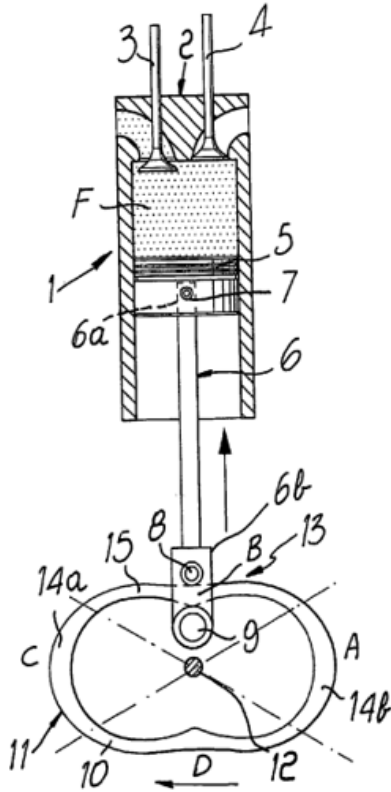
*This place covers:*

Illustrative example of subject matter classified in this place:

1a.



1b.



**F01B 9/08**

Delete: The entire Special rules section.

Insert: The following new Definition statement.

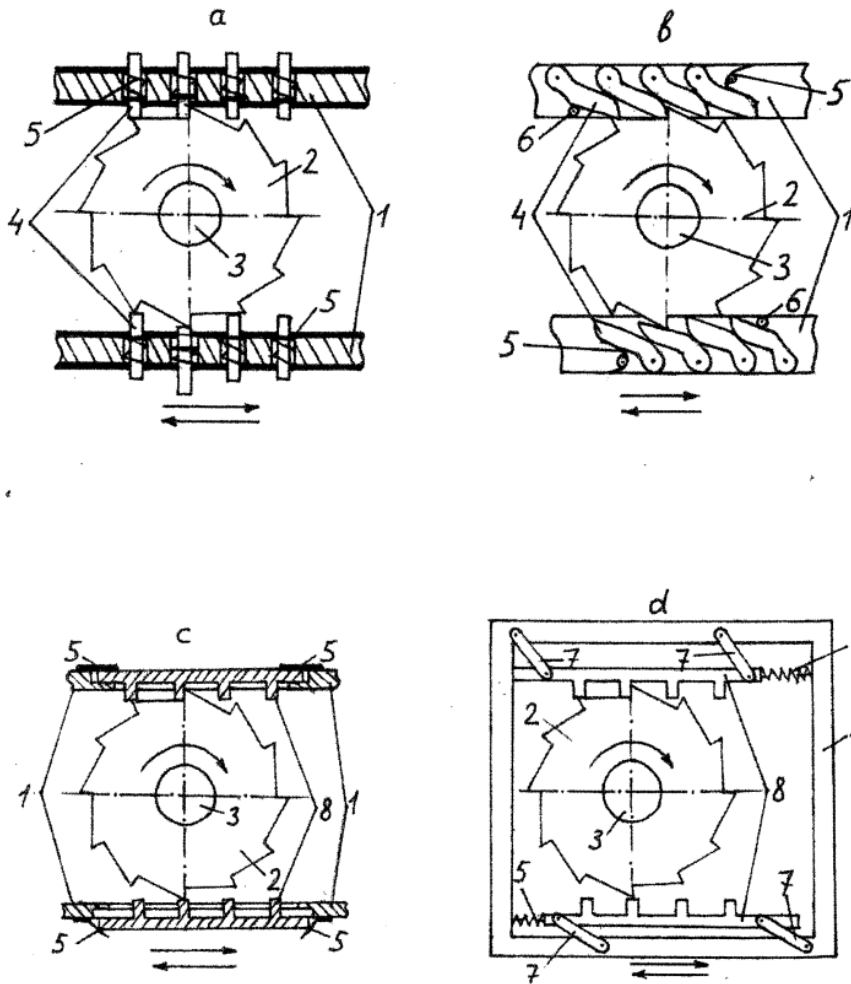
**Definition statement**

*This place covers:*

Illustrative example of subject matter classified in this place:

DATE: AUGUST 1, 2026

PROJECT RP12261



**F01B 11/001**

Delete: The entire Special rules section.

Insert: The following new Definition statement.

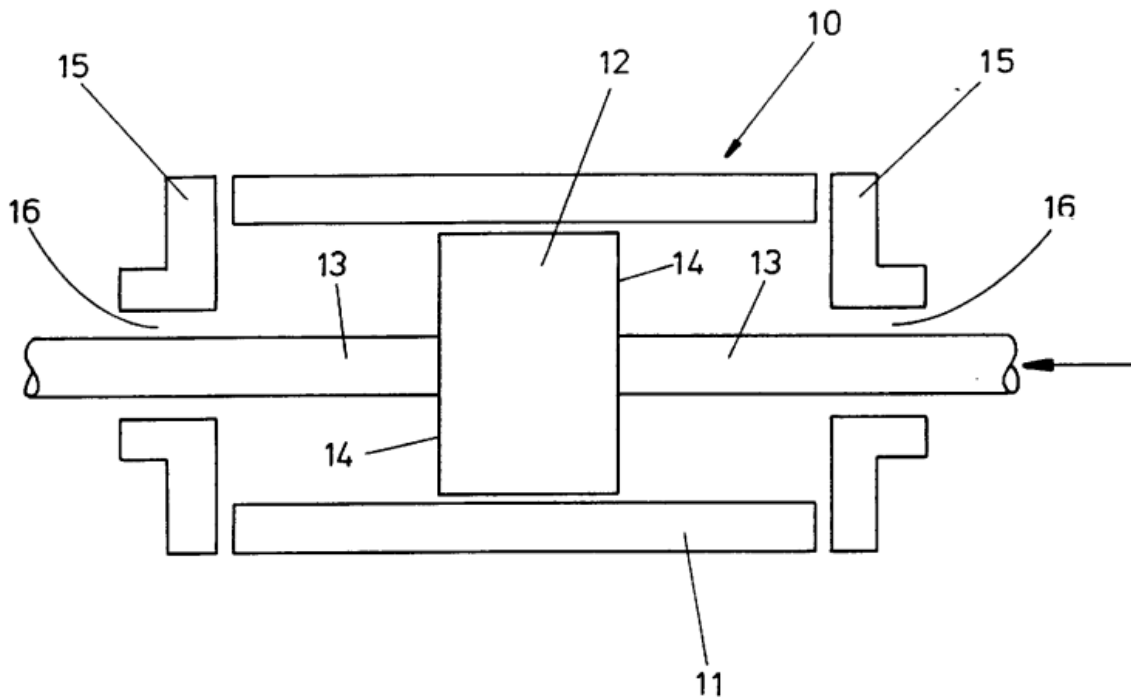
**Definition statement**

*This place covers:*

Illustrative example of subject matter classified in this place:

DATE: AUGUST 1, 2026

PROJECT RP12261



**F01B 11/002**

Delete: The entire Special rules section.

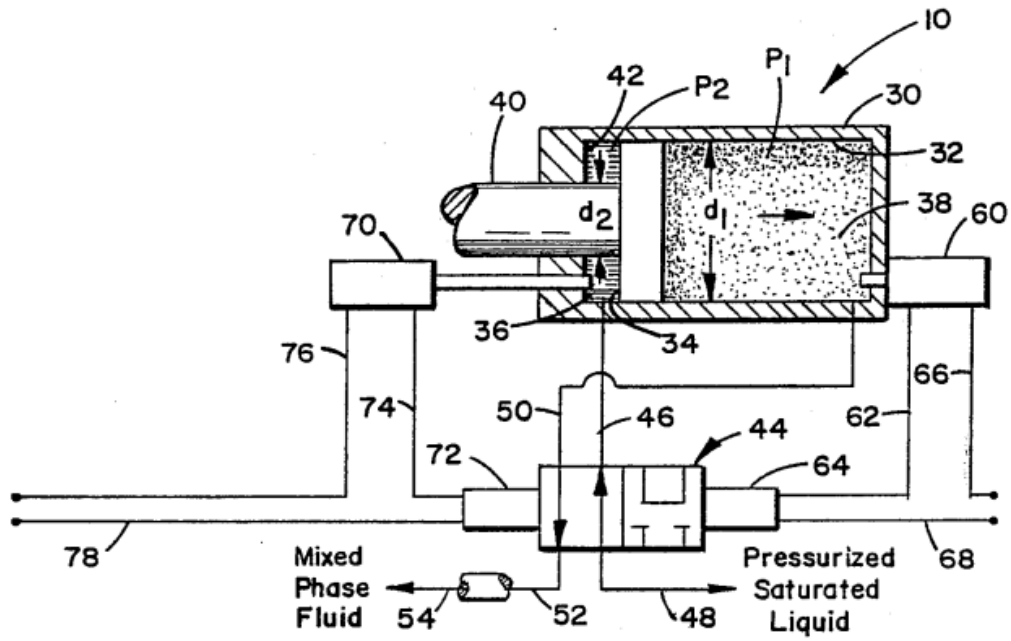
Insert: The following new Definition statement.

**Definition statement**

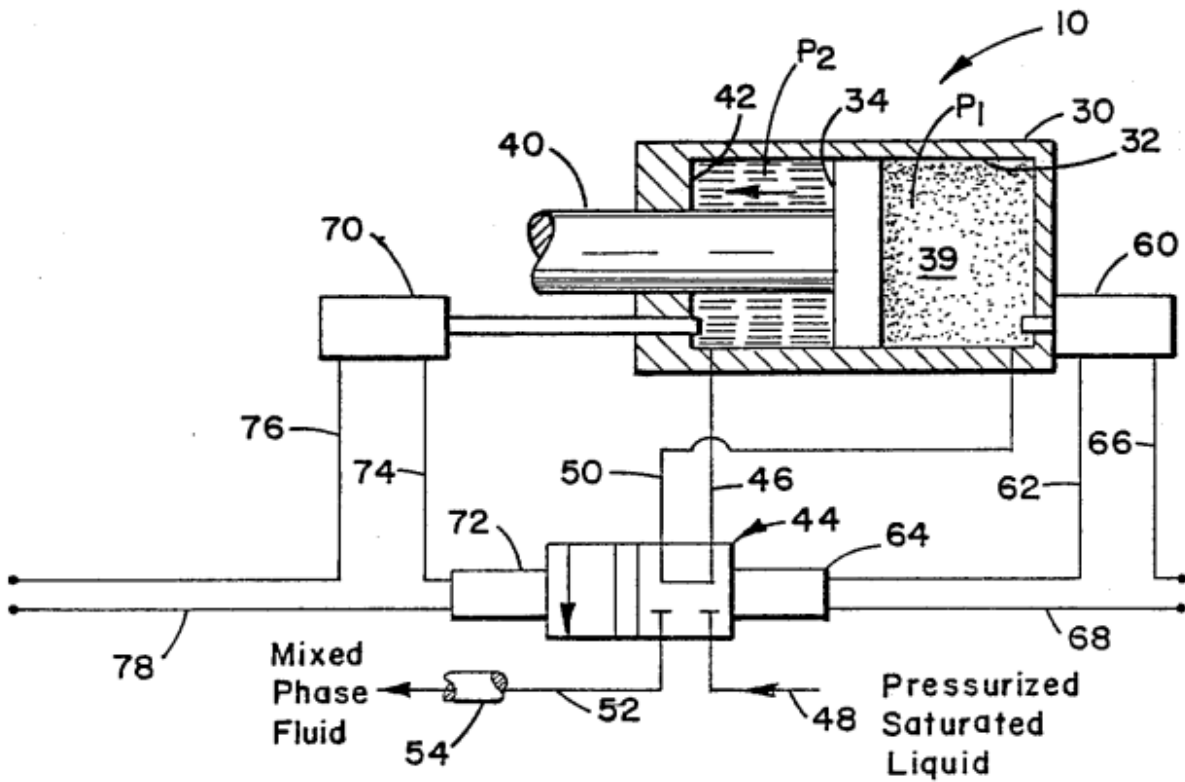
*This place covers:*

Illustrative example of subject matter classified in this place:

1a.



1b.



**F01B 11/003**

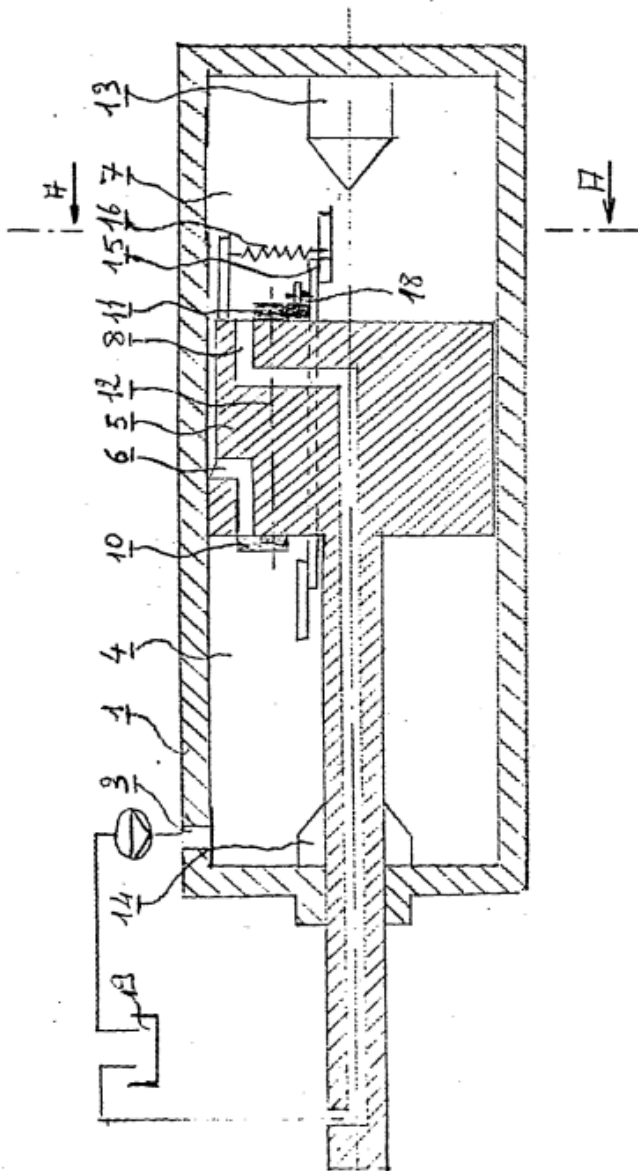
Delete: The entire Special rules section.

Insert: The following new Definition statement.

**Definition statement**

*This place covers:*

Illustrative example of subject matter classified in this place:



**F01B 11/004**

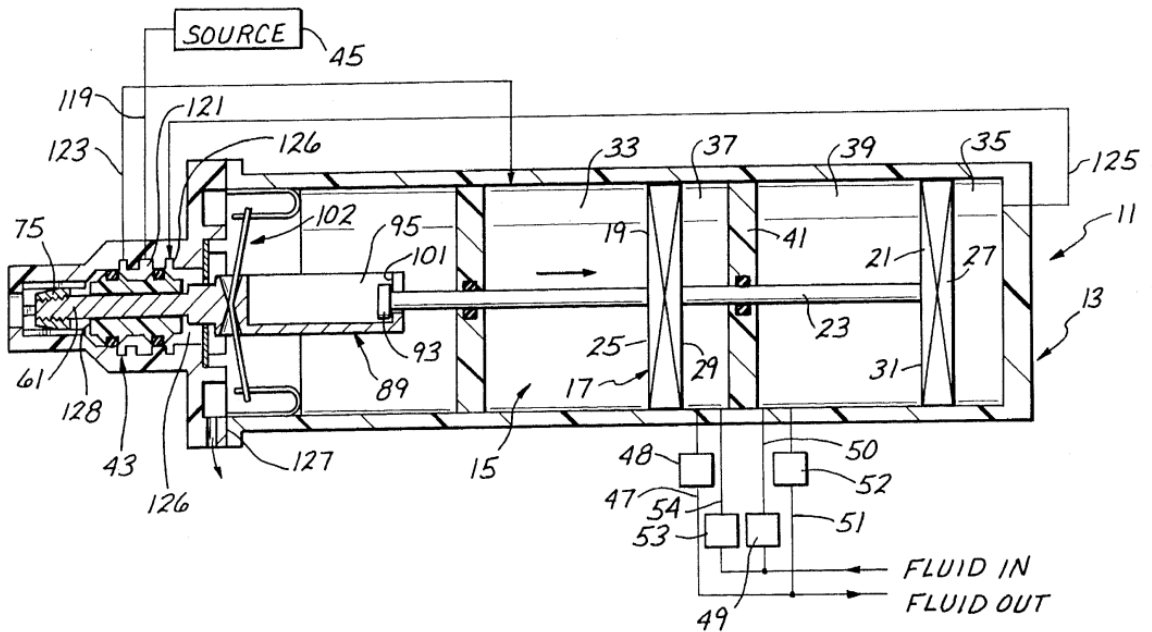
Delete: The entire Special rules section.

Insert: The following new Definition statement.

**Definition statement**

*This place covers:*

Illustrative example of subject matter classified in this place:



**F01B 11/006**

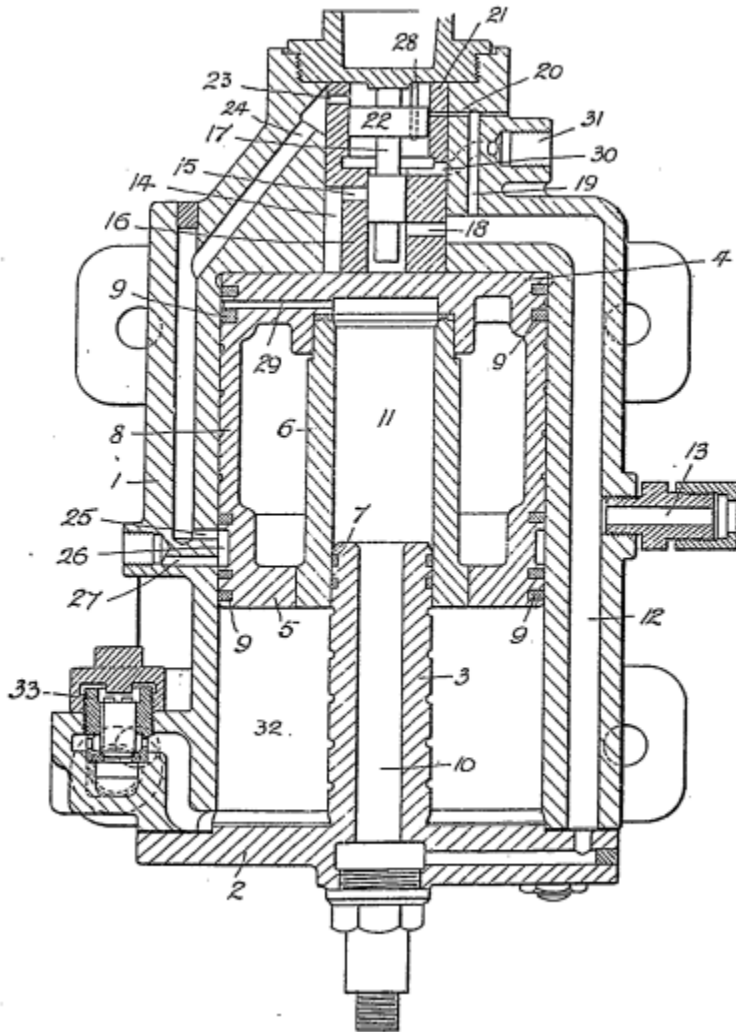
Delete: The entire Special rules section.

Insert: The following new Definition statement.

**Definition statement**

*This place covers:*

Illustrative example of subject matter classified in this place:



**F01B 11/007**

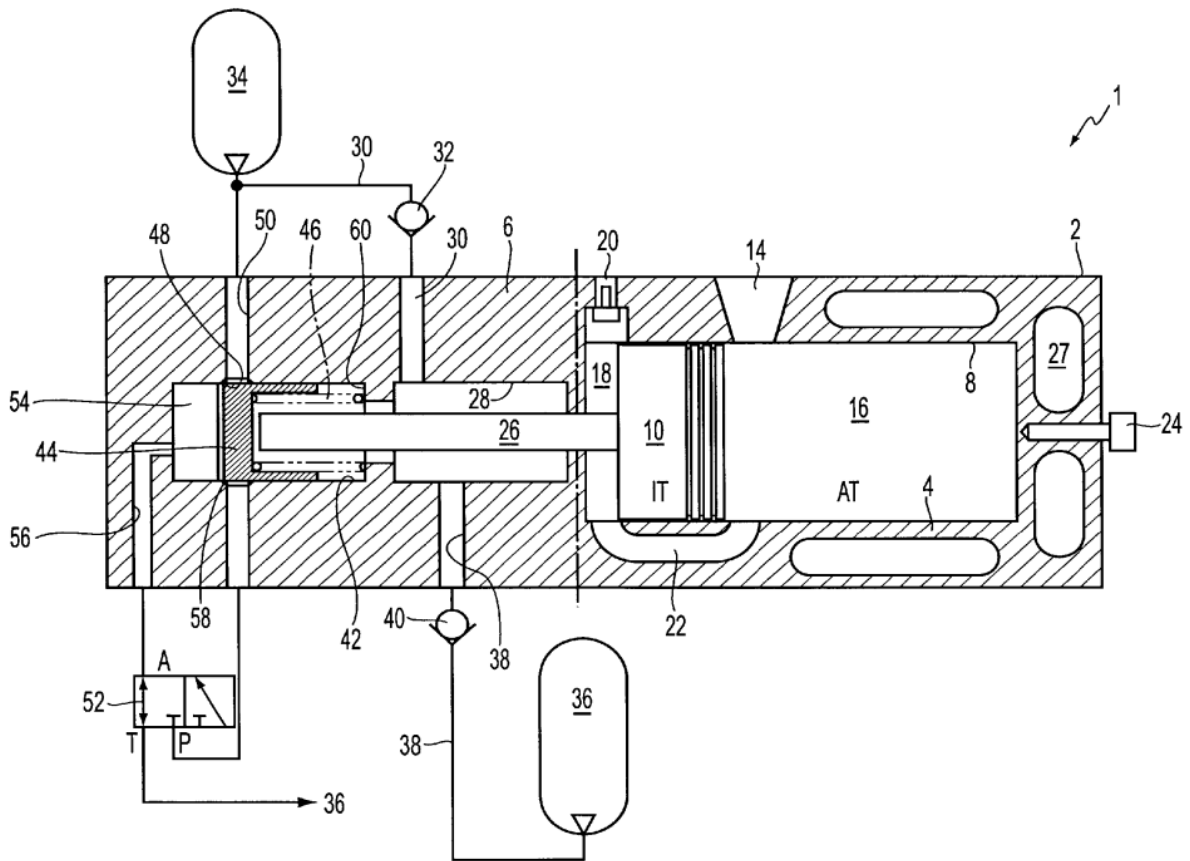
Delete: The entire Special rules section.

Insert: The following new Definition statement.

**Definition statement**

*This place covers:*

Illustrative example of subject matter classified in this place:



**F01B 11/008**

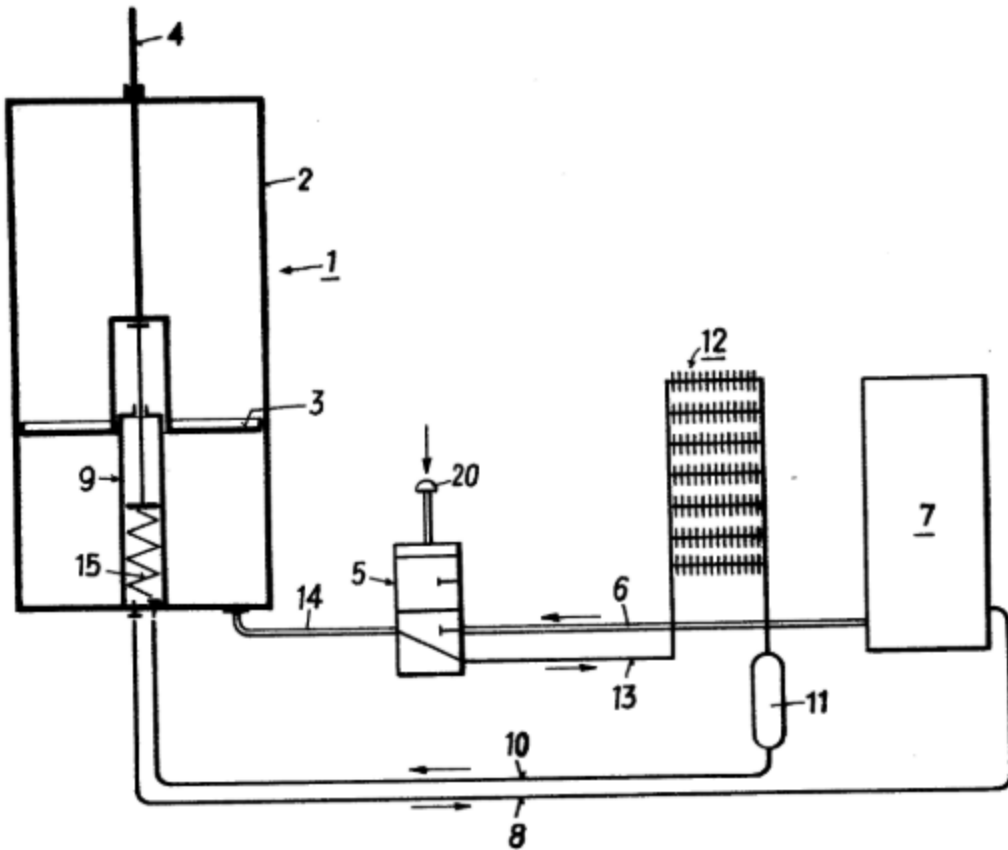
Delete: The entire Special rules section.

Insert: The following new Definition statement.

**Definition statement**

*This place covers:*

Illustrative example of subject matter classified in this place:



**F01B 11/009**

Delete: The entire Special rules section.

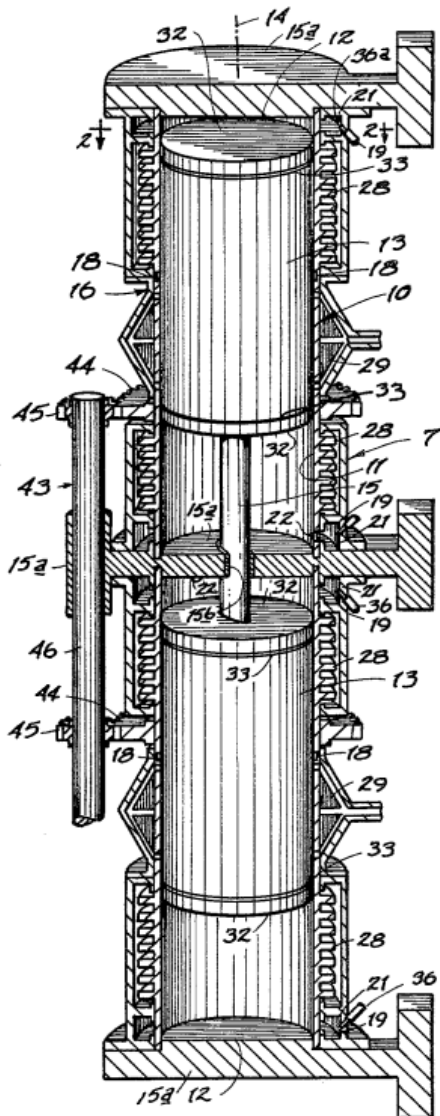
Insert: The following new Definition statement.

**Definition statement**

*This place covers:*

Illustrative example of subject matter classified in this place:

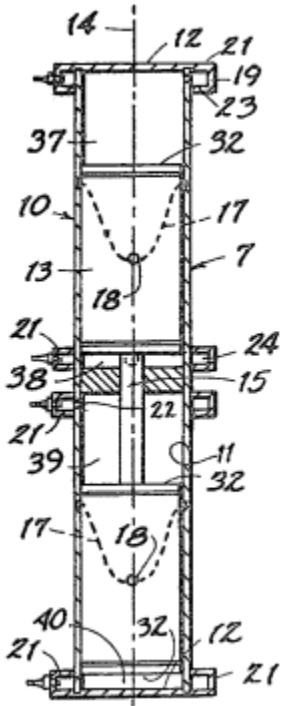
1a.



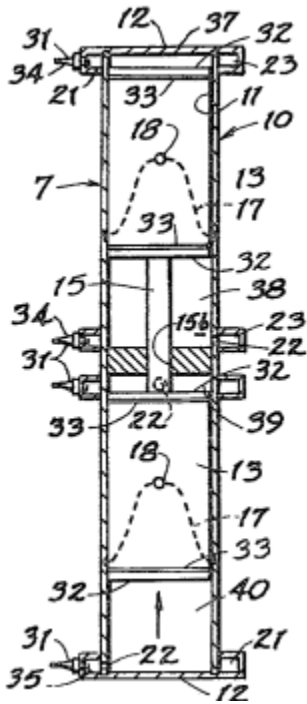
DATE: AUGUST 1, 2026

PROJECT RP12261

1b.



1c.



**F01B 11/02**

Delete: The entire Special rules section.

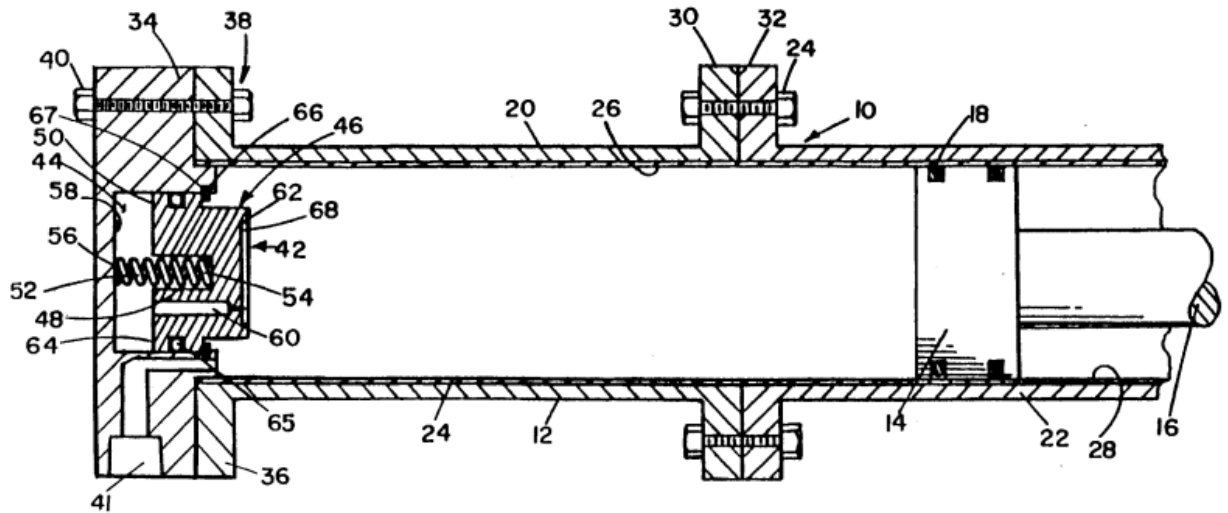
Insert: The following new Definition statement.

**Definition statement**

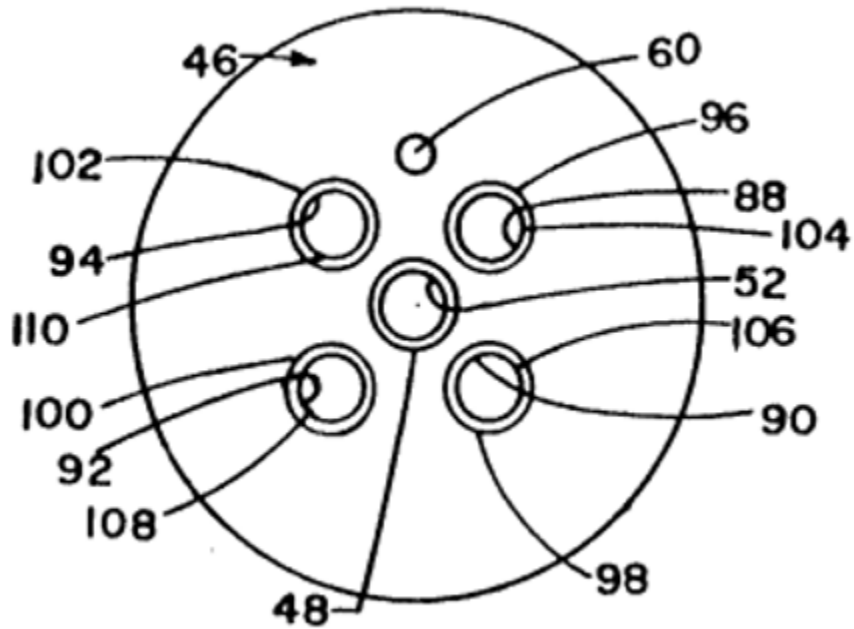
*This place covers:*

Illustrative example of subject matter classified in this place:

1a.



1b.



**F01B 11/06**

Delete: The entire Special rules section.

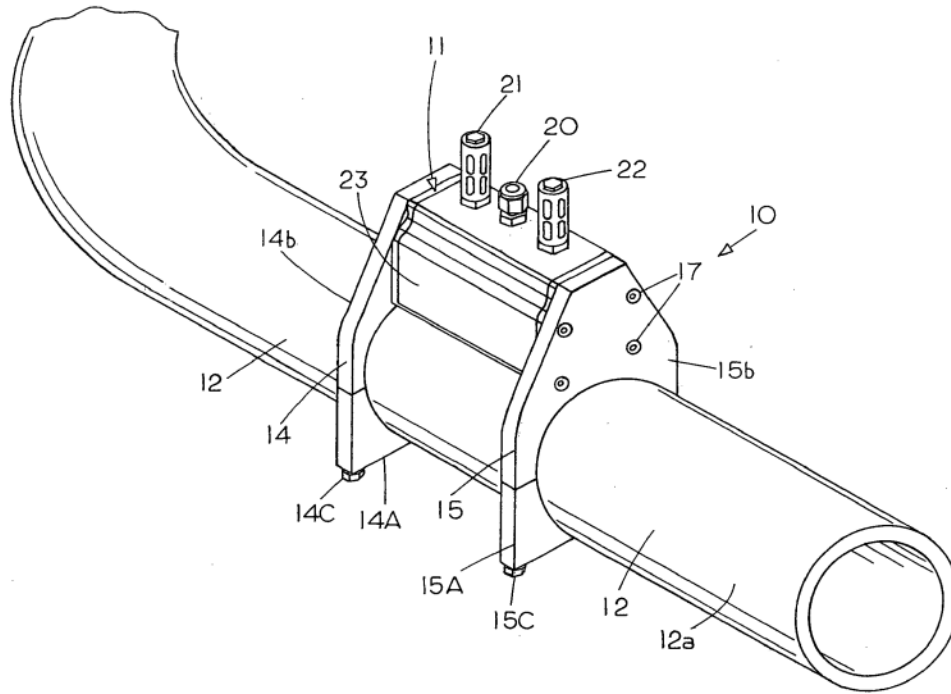
Insert: The following new Definition statement.

**Definition statement**

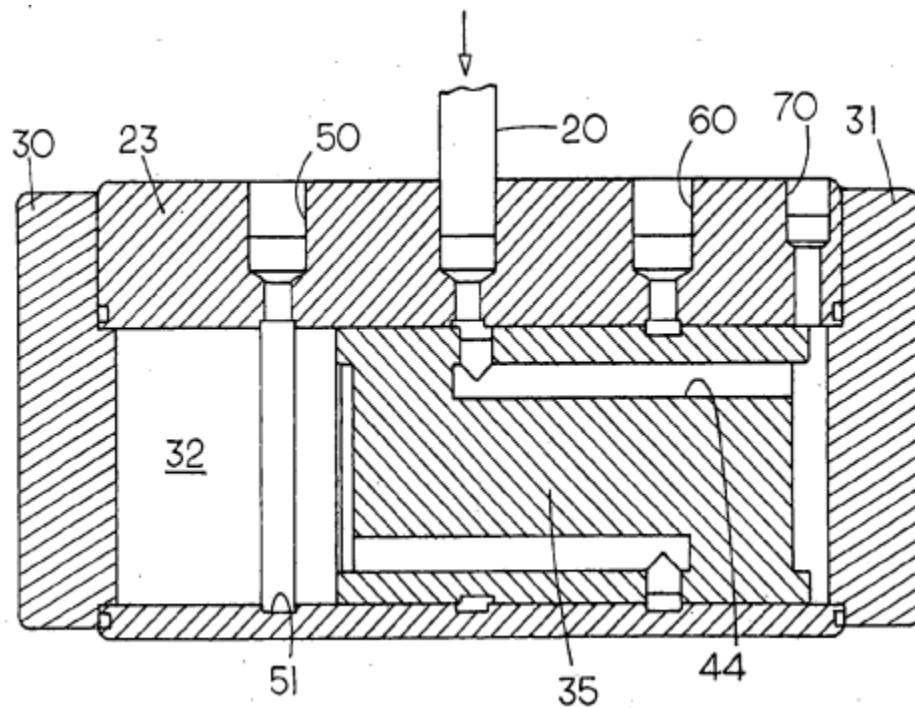
*This place covers:*

Illustrative example of subject matter classified in this place:

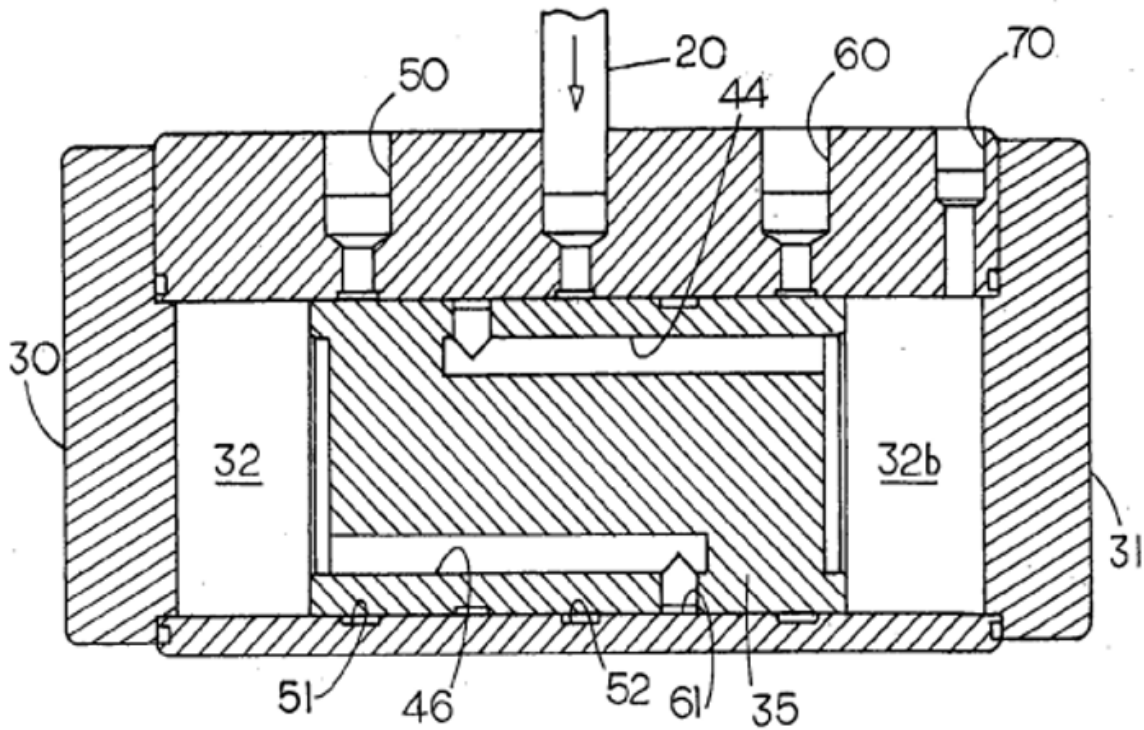
1a. Engine for producing vibrations on a conveying line



1b. Engine in first position



1c. Engine in second position



**F01B 13/02**

Delete: The entire Special rules section.

Insert: The following new Definition statement.

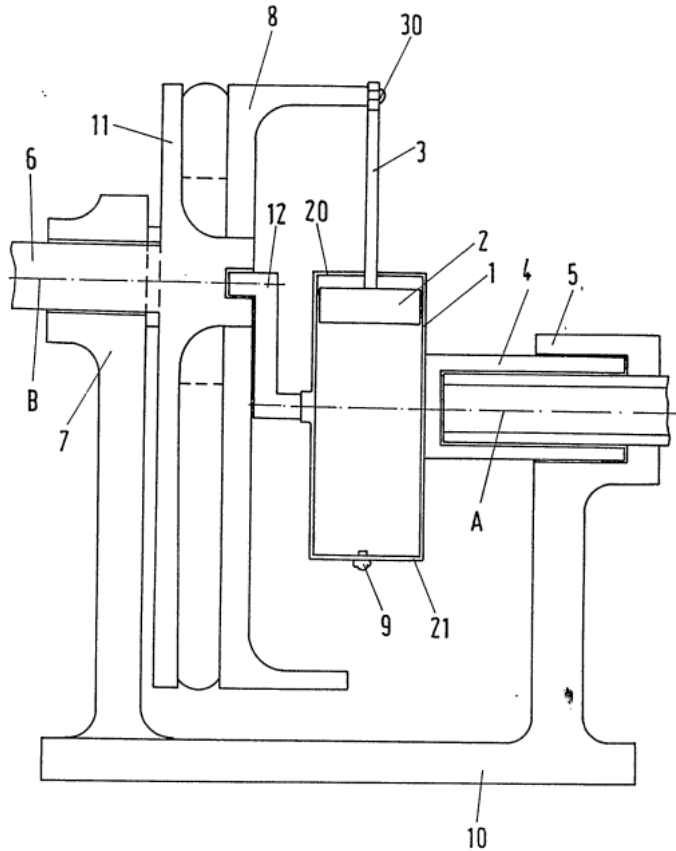
**Definition statement**

*This place covers:*

Illustrative example of subject matter classified in this place:

DATE: AUGUST 1, 2026

PROJECT RP12261



**F01B 13/045**

Delete: The entire Special rules section.

Insert: The following new Definition statement.

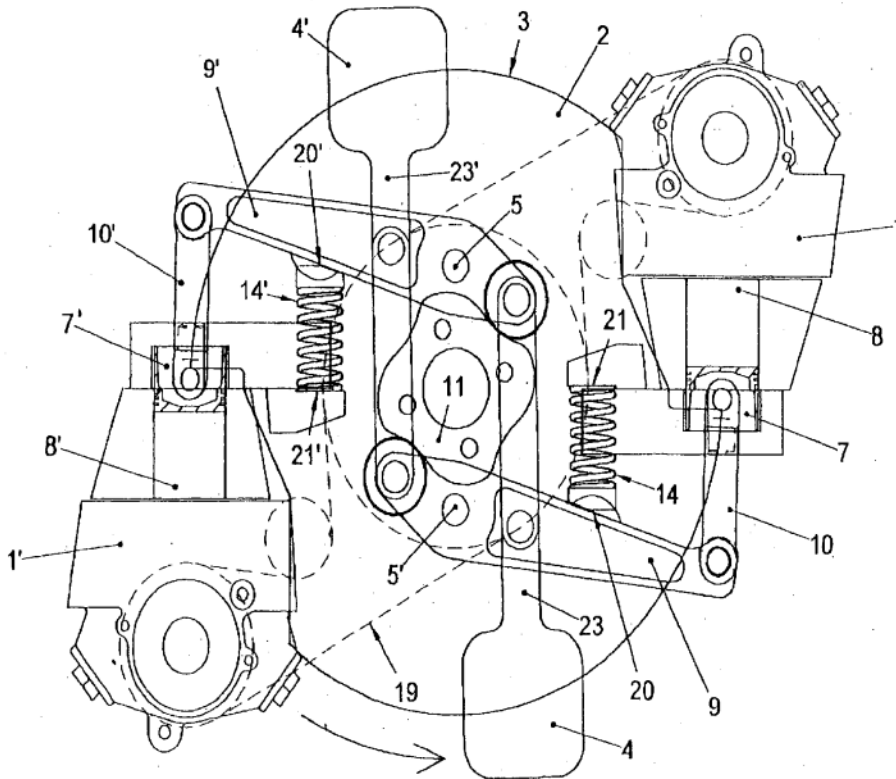
**Definition statement**

*This place covers:*

Illustrative example of subject matter classified in this place:

DATE: AUGUST 1, 2026

PROJECT RP12261



**F01B 13/061**

Delete: The entire Special rules section.

Insert: The following new Definition statement.

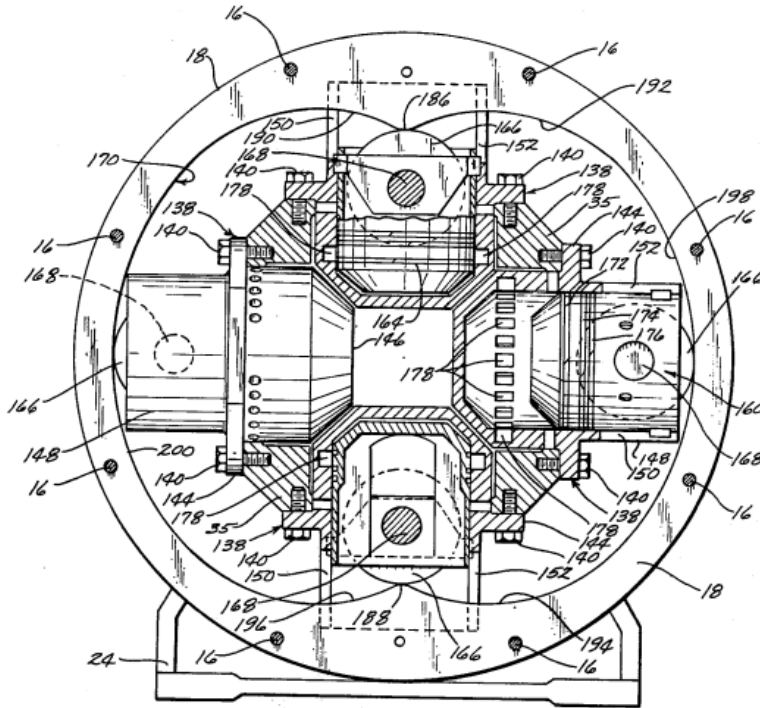
**Definition statement**

*This place covers:*

Illustrative example of subject matter classified in this place:

DATE: AUGUST 1, 2026

PROJECT RP12261



**F01B 13/068**

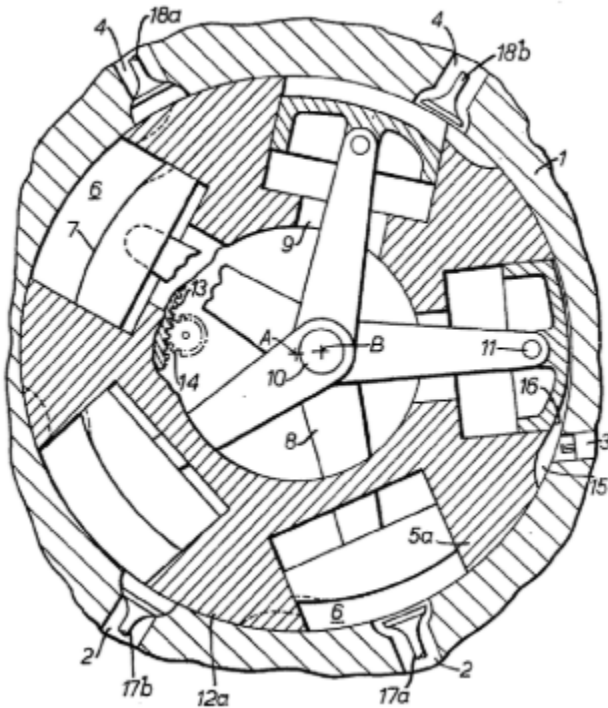
Delete: The entire Special rules section.

Insert: The following new Definition statement.

**Definition statement**

*This place covers:*

Illustrative example of subject matter classified in this place:



**F01B 17/00**

**Definition statement**

Replace: The Definition statement text and image with the revised text and image below.

Reciprocating-piston machines or engines characterised by use of uniflow principle, e.g. compressed gas engines where the working fluid enters a working cylinder, expands and then exits the cylinder.

Illustrative example of subject matter classified in this place:



**F01B 17/022**

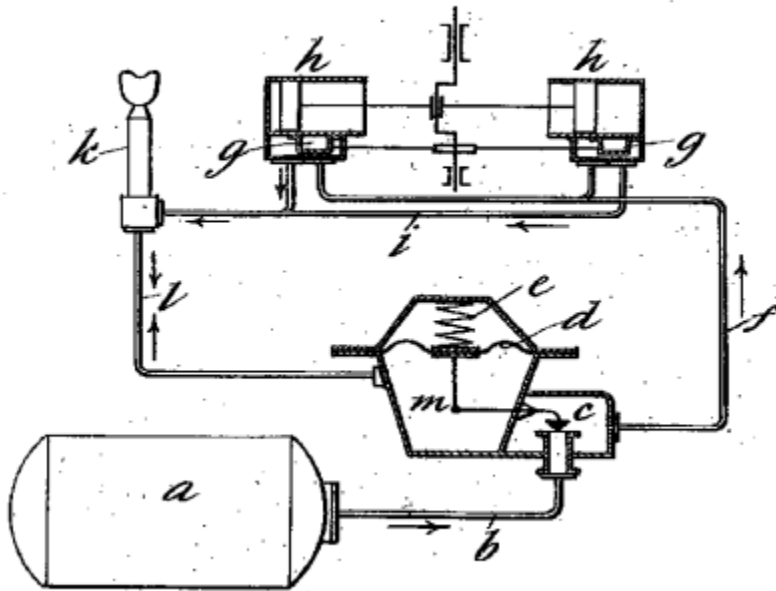
Delete: The entire Special rules section.

Insert: The following new Definition statement.

**Definition statement**

*This place covers:*

Illustrative example of subject matter classified in this place:



The Figure illustrates a burner (k) heating fluid supplied to a uniflow engine.

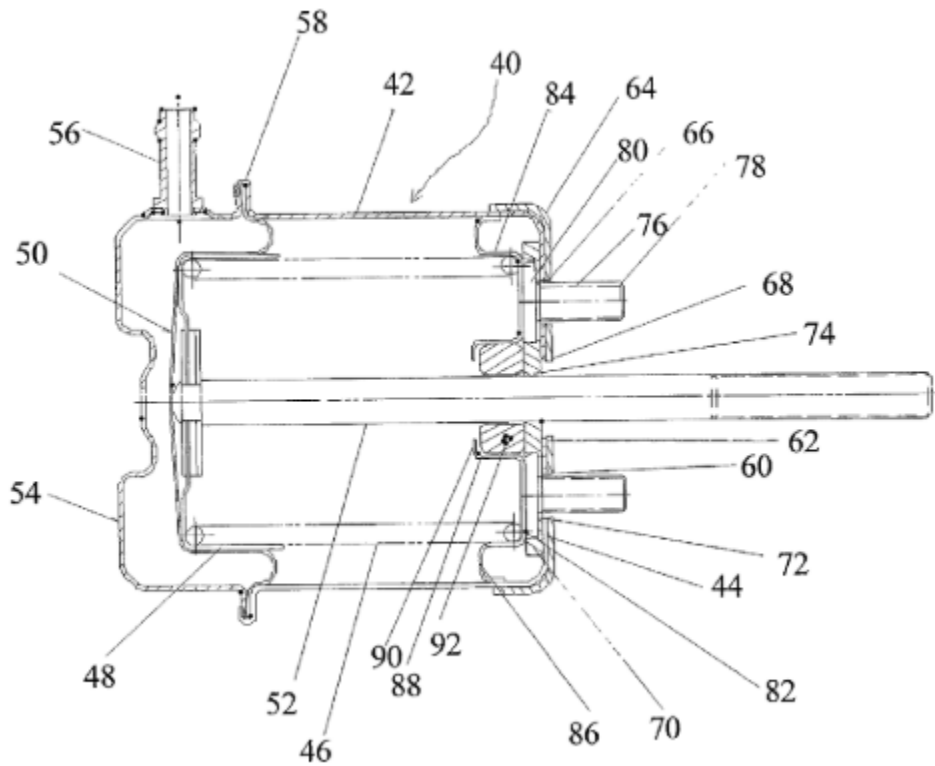
**F01B 19/00**

**Definition statement**

Replace: The Definition statement text and image with the revised text and image below.

Positive-displacement machines or engines of flexible-wall type, e.g. where the piston is made of a diaphragm or bellows.

Illustrative example of subject matter classified in this place:



**F01B 19/02**

Delete: The entire Special rules section.

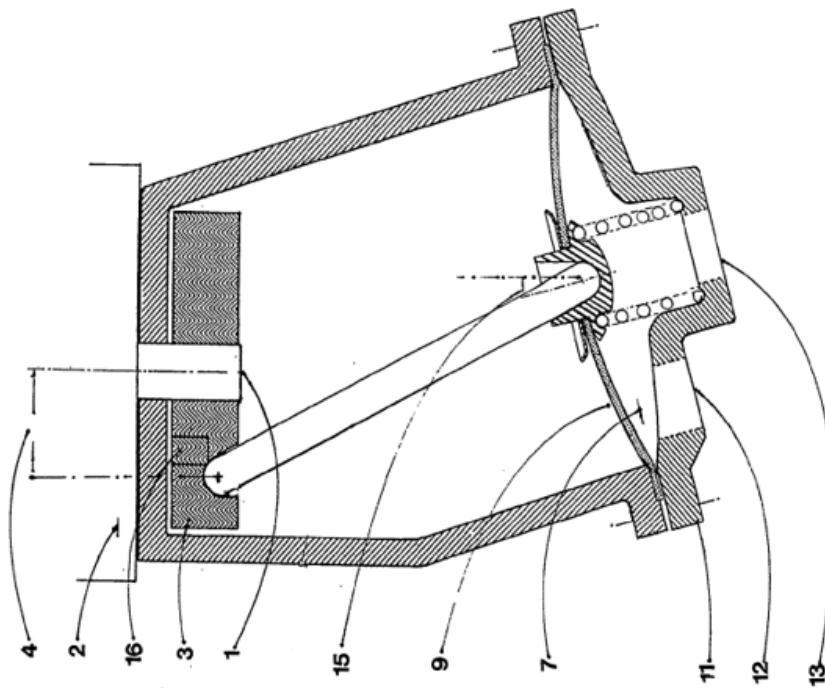
Insert: The following new Definition statement.

**Definition statement**

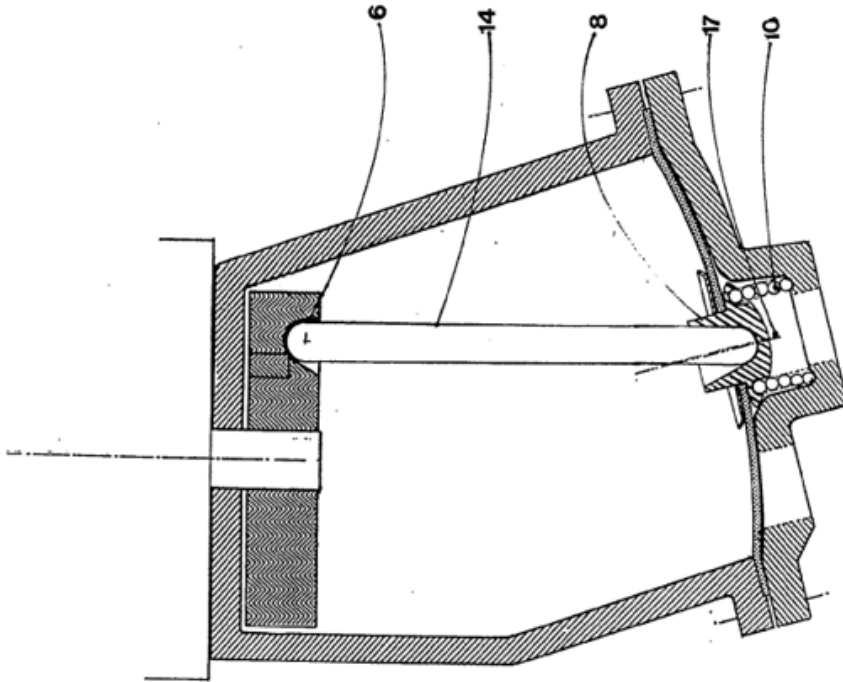
*This place covers:*

Illustrative example of subject matter classified in this place:

1a.



1b.



**F01B 19/04**

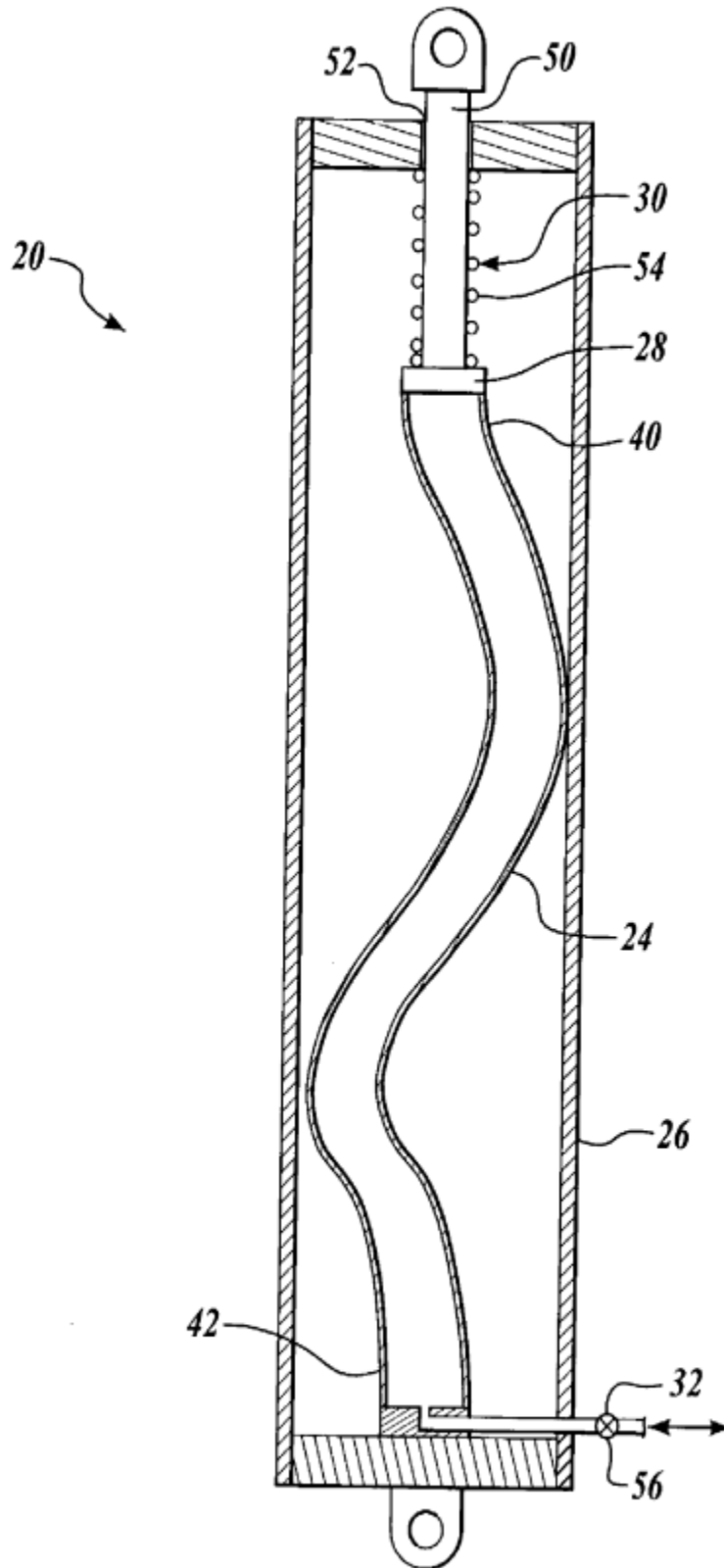
Delete: The entire Special rules section.

Insert: The following new Definition statement.

**Definition statement**

*This place covers:*

Illustrative example of subject matter classified in this place:



CPC NOTICE OF CHANGES 1927

DATE: AUGUST 1, 2026

PROJECT RP12261

3. REVISION CONCORDANCE LIST (RCL)

<b><u>Type*</u></b>	<b><u>From CPC Symbol (existing)</u></b>	<b><u>To CPC Symbol(s)</u></b>
D	F01B2170/00	<administrative transfer to F01B2171/00 ADD>
D	F01B2170/04	<administrative transfer to F01B2171/00 ADD>
D	F01B2170/0405	<administrative transfer to F01B2171/00 ADD>
D	F01B2170/0411	<administrative transfer to F01B2171/01 ADD>
D	F01B2170/0417	<administrative transfer to F01B2171/02 ADD>
D	F01B2170/0423	<administrative transfer to F01B2171/03 ADD>
D	F01B2170/0429	<administrative transfer to F01B2171/04 ADD>
D	F01B2170/0435	<administrative transfer to F01B2171/05 ADD>
D	F01B2170/0441	<administrative transfer to F01B2171/06 ADD>
D	F01B2170/0447	<administrative transfer to F01B2171/07 ADD>
D	F01B2170/0452	<administrative transfer to F01B2171/08 ADD>
D	F01B2170/0458	<administrative transfer to F01B2171/09 ADD>
D	F01B2170/0464	<administrative transfer to F01B2171/11 ADD>
D	F01B2170/047	<administrative transfer to F01B2171/00 ADD>
D	F01B2170/0476	<administrative transfer to F01B2171/13 ADD>
D	F01B2170/0482	<administrative transfer to F01B2171/12 ADD>
D	F01B2170/0488	<administrative transfer to F01B2171/12 ADD>
D	F01B2170/0494	<administrative transfer to F01B2171/12 ADD>

\* C = entries with modified file scope where reclassification of documents from the entries is involved; Q = new entries which are firstly populated with documents via administrative transfers from deleted (D) entries. Afterwards, the transferred documents into the Q entry will either stay or be moved to more appropriate entries, as determined by intellectual reclassification; D = deleted entries; F = frozen entries will be deleted once reclassification of documents from the entries is completed.

NOTES:

- Only C, D, F and Q type entries are included in the table above.

CPC NOTICE OF CHANGES 1927

DATE: AUGUST 1, 2026

PROJECT RP12261

- When multiple symbols are included in the "To" column, do not use ranges of symbols.
- For administrative transfer of documents, the following text should be used: "<administrative transfer to XX>", "<administrative transfer to XX and YY simultaneously>", or "<administrative transfer to XX, YY, ...and ZZ simultaneously>" when administrative transfer of the same documents is to more than one place.
- Administrative transfer to main trunk groups is assumed to be the source allocation type, unless otherwise indicated.
- Administrative transfer to 2000/Y series groups is assumed to be "additional information".
- If needed, instructions for allocation type should be indicated within the angle brackets using the abbreviations "ADD" or "INV": <administrative transfer to XX ADD>, <administrative transfer to XX INV>, or <administrative transfer to XX ADD, YY INV, ... and ZZ ADD simultaneously>.
- In certain situations, the "D" entries of 2000-series or Y-series groups may not require a destination ("To") symbol, however it is required to specify "<no transfer>" in the "To" column for such cases.
- RCL is not needed for finalization projects.

CPC NOTICE OF CHANGES 1927

DATE: AUGUST 1, 2026

PROJECT RP12261

4. CHANGES TO THE CPC-TO-IPC CONCORDANCE LIST (CICL)

<u>CPC</u>	<u>IPC</u>	<u>Action*</u>
F01B 2170/00		DELETE
F01B 2170/04		DELETE
F01B 2170/0405		DELETE
F01B 2170/0411		DELETE
F01B 2170/0417		DELETE
F01B 2170/0423		DELETE
F01B 2170/0429		DELETE
F01B 2170/0435		DELETE
F01B 2170/0441		DELETE
F01B 2170/0447		DELETE
F01B 2170/0452		DELETE
F01B 2170/0458		DELETE
F01B 2170/0464		DELETE
F01B 2170/047		DELETE
F01B 2170/0476		DELETE
F01B 2170/0482		DELETE
F01B 2170/0488		DELETE
F01B 2170/0494		DELETE
F01B 2171/00	CPCONLY	NEW
F01B 2171/01	CPCONLY	NEW
F01B 2171/02	CPCONLY	NEW
F01B 2171/03	CPCONLY	NEW
F01B 2171/04	CPCONLY	NEW
F01B 2171/05	CPCONLY	NEW
F01B 2171/06	CPCONLY	NEW
F01B 2171/07	CPCONLY	NEW
F01B 2171/08	CPCONLY	NEW
F01B 2171/09	CPCONLY	NEW
F01B 2171/11	CPCONLY	NEW
F01B 2171/12	CPCONLY	NEW
F01B 2171/13	CPCONLY	NEW

\*Action column:

- For an (N) or (Q) entry, provide an IPC symbol and complete the Action column with “NEW.”
- For an existing CPC main trunk entry or indexing entry where the existing IPC symbol needs to be changed, provide an updated IPC symbol and complete the Action column with “UPDATED.”
- For a (D) CPC entry or indexing entry complete the Action column with “DELETE.” IPC symbol does not need to be included in the IPC column.
- For an (N) 2000 series CPC entry which is positioned within the main trunk scheme (breakdown code) provide an IPC symbol and complete the action column with “NEW”.
- For an (N) 2000 series CPC entry positioned at the end of the CPC scheme (orthogonal code), with no IPC equivalent, complete the IPC column with “CPCONLY” and complete the action column with “NEW”.

NOTES:

CPC NOTICE OF CHANGES 1927

DATE: AUGUST 1, 2026

PROJECT RP12261

- F symbols are not included in the CICL table above.
- T and M symbols are not included in the CICL table above unless a change to the existing IPC is desired.