

EUROPEAN PATENT OFFICE
U.S. PATENT AND TRADEMARK OFFICE

CPC NOTICE OF CHANGES 1924

DATE: AUGUST 1, 2026

PROJECT RP12414

The following classification changes will be effected by this Notice of Changes:

<u>Action</u>	<u>Subclass</u>	<u>Group(s)</u>
SCHEME:		
Symbols Deleted:	E05D	2700/00, 2700/02, 2700/04, 2700/10, 2700/12
Titles Changed:	E05D	11/0009, 11/084
	E05D	15/50
DEFINITIONS:		
Definitions Deleted: (no frozen (F) symbol definitions should be deleted)	E05D	3/06, 3/142
	E05D	5/0207, 5/0276, 5/10, 5/125, 5/127
	E05D	7/0423, 7/1011, 7/1044, 7/1061, 7/12
	E05D	9/005
	E05D	11/04, 11/1057
	E05D	13/003, 13/1215, 13/1238, 13/1261, 13/1276, 13/1284
	E05D	15/22, 15/48, 15/526
Definitions New:	E05D	1/06
	E05D	7/04, 7/0415
	E05D	15/1005
Definitions Modified:	E05D	SUBCLASS
	E05D	15/1042, 15/50

No other subclasses/groups are impacted by this Notice of Changes.

This Notice of Changes includes the following [Check the ones included]:

1. CLASSIFICATION SCHEME CHANGES

- A. New, Modified or Deleted Group(s)
- B. New, Modified or Deleted Warning(s)
- C. New, Modified or Deleted Note(s)
- D. New, Modified or Deleted Guidance Heading(s)

2. DEFINITIONS

- A. New or Modified Definitions (Full definition template)
- B. Modified or Deleted Definitions (Definitions Quick Fix)

CPC NOTICE OF CHANGES 1924

DATE: AUGUST 1, 2026

PROJECT RP12414

3. REVISION CONCORDANCE LIST (RCL)
4. CHANGES TO THE CPC-TO-IPC CONCORDANCE LIST (CICL)
5. CHANGES TO THE CROSS-REFERENCE LIST (CRL)

CPC NOTICE OF CHANGES 1924

DATE: AUGUST 1, 2026

PROJECT RP12414

1. CLASSIFICATION SCHEME CHANGES

A. New, Modified or Deleted Group(s)

SUBCLASS E05D - HINGES OR SUSPENSION DEVICES FOR DOORS, WINDOWS OR WINGS

<u>Type*</u>	<u>Symbol</u>	<u>Indent Level</u> <u>Number of</u> <u>dots (e.g. 0,</u> <u>1, 2)</u>	<u>Title</u> <u>“CPC only” text should normally be</u> <u>enclosed in {curly brackets}**</u>	<u>Transferred to#</u>
M	E05D11/0009	1	{Templates for marking the position of fittings on wings or frames}	
M	E05D11/084	3	{the friction depending on direction of rotation of the hinge}	
M	E05D15/50	2	for opening at either of two opposite edges	
D	E05D2700/00	0	Hinges or other suspension devices especially for doors or windows	<no transfer>
D	E05D2700/02	1	Hinges with one pivot axis and one bearing surface	<no transfer>
D	E05D2700/04	1	Hinges with one pivot axis and more than one bearing surface	<no transfer>
D	E05D2700/10	1	Various door and window fittings, e.g. suspension devices for double hung windows or screens	<no transfer>
D	E05D2700/12	1	Suspension devices for doors or windows movable in a direction perpendicular to their plane or pivotable about an axis being situated at a considerable distance from the edge of the wing by means of pivot arms	<no transfer>

*N = new entries where reclassification into entries is involved; C = entries with modified file scope where reclassification of documents from the entries is involved; Q = new entries which are firstly populated with documents via administrative transfers from deleted (D) entries. Afterwards, the transferred documents into the Q entry will either stay or be moved to more appropriate entries, as determined by intellectual reclassification; T = existing entries with enlarged file scope, which receive documents from C or D entries, e.g. when a limiting reference is removed from the entry title; M = entries with no change to the file scope (no reclassification); D = deleted entries; F = frozen entries will be deleted once reclassification of documents from the entries is completed; U = entries that are unchanged.

NOTES:

- **No {curly brackets} are used for titles in CPC only subclasses, e.g. C12Y, A23Y; 2000 series symbol titles of groups found at the end of schemes (orthogonal codes); or the Y section titles. The {curly brackets} are used for 2000 series symbol titles found interspersed throughout the main trunk schemes (breakdown codes).
- U groups: it is obligatory to display the required “anchor” symbol (U group), i.e. the entry immediately preceding a new group or an array of new groups to be created (in case new groups are not clearly subgroups of C-type groups). Always include the symbol, indent level and title of the U group in the table above.
- All entry types should be included in the scheme changes table above for better understanding of the overall scheme change picture. Symbol, indent level, and title are required for all types.
- “Transferred to” column must be completed for all C, D, F, and Q type entries. F groups will be deleted once reclassification is completed.

CPC NOTICE OF CHANGES 1924

DATE: AUGUST 1, 2026

PROJECT RP12414

- When multiple symbols are included in the “Transferred to” column, avoid using ranges of symbols in order to be as precise as possible.
- For administrative transfer of documents, the following text should be used: “<administrative transfer to XX>”, “<administrative transfer to XX and YY simultaneously>”, or “<administrative transfer to XX, YY, ...and ZZ simultaneously>” when administrative transfer of the same documents is to more than one place.
- Administrative transfer to main trunk groups is assumed to be the source allocation type, unless otherwise indicated.
- Administrative transfer to 2000/Y series groups is assumed to be “additional information”.
- If needed, instructions for allocation type should be indicated within the angle brackets using the abbreviations “ADD” or “INV”: <administrative transfer to XX ADD>, <administrative transfer to XX INV>, or <administrative transfer to XX ADD, YY INV, ... and ZZ ADD simultaneously>.
- In certain situations, the “D” entries of 2000-series or Y-series groups may not require a destination (“Transferred to”) symbol, however it is required to specify “<no transfer>” in the “Transferred to” column for such cases.
- For finalization projects, the deleted “F” symbols should have <no transfer> in the “Transferred to” column.
- For more details about the types of scheme change, see CPC Guide.

2. A. DEFINITIONS (new)

E05D 1/06

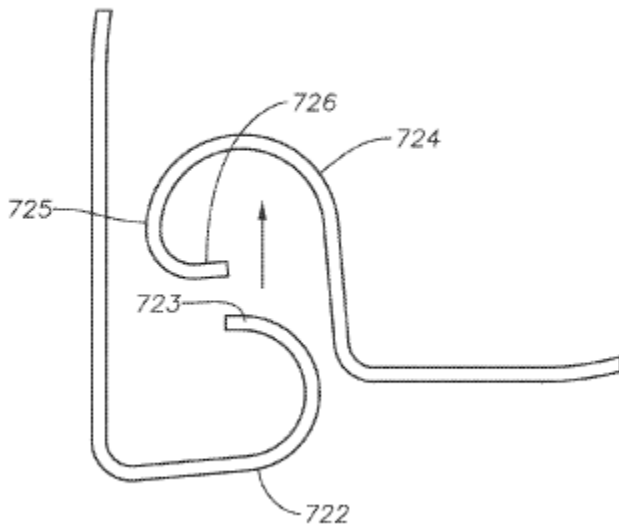
Definition statement

This place covers:

Easily-separable pinless hinges or substitutes for hinges.

Typically interlocking arcuate parts.

Illustrative example of subject matter classified in this place:



The Figure illustrates a pinless hinge having first arcuate member (722) and second arcuate member (724).

References

Informative references

Attention is drawn to the following places, which may be of interest for search:

Hinges allowing easy separation at the axis

E05D 7/10

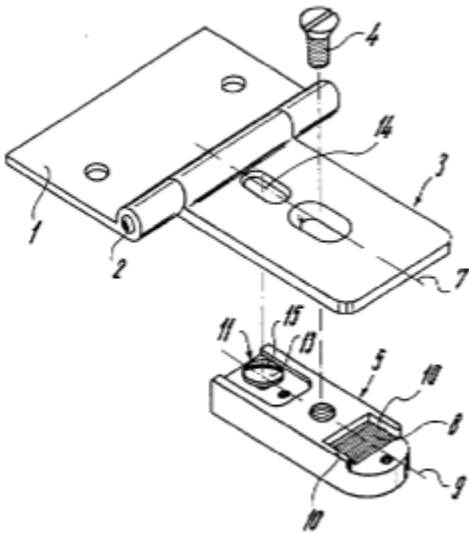
E05D 7/04

Definition statement

This place covers:

Hinges adjustable relative to the wing or frame to which the hinge is mounted, i.e. externally adjustable hinges.

Illustrative example of subject matter classified in this place:



The Figure illustrates a hinge with mounting plate (5) fixed to a frame allowing for adjustment of hinge flap (3) relative to the frame.

References

Informative references

Attention is drawn to the following places, which may be of interest for search:

DATE: AUGUST 1, 2026

PROJECT RP12414

Hinges adjustable at the hinge axis

E05D 7/0018

Special rules of classification

If the adjustment is at the flap, classification is also made in group [E05D 5/02](#).

E05D 7/0415

Definition statement

This place covers:

Hinges adjustable relative to the wing or frame with the adjustment being made via drive means which include eccentrics.

E05D 15/1005

Definition statement

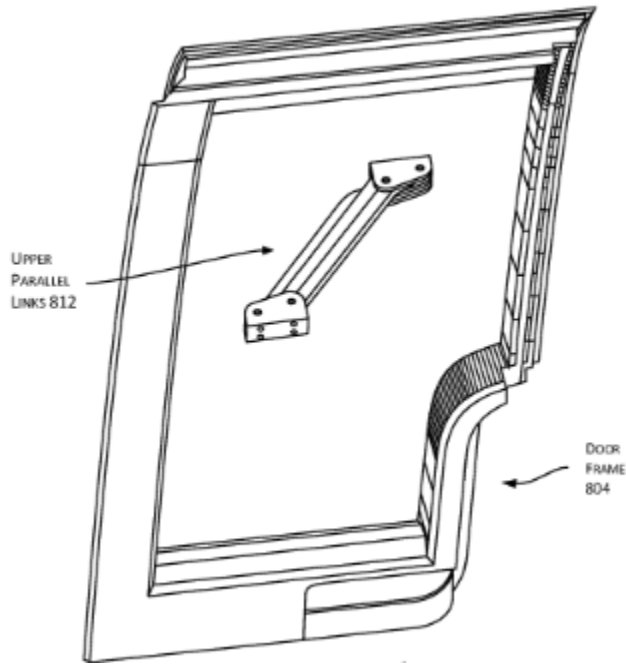
This place covers:

Suspension arrangements for wings sliding horizontally and additionally transversely moving out of a plane into a second parallel plane, the wing being supported on arms movable in horizontal planes.

Illustrative example of subject matter classified in this place:

DATE: AUGUST 1, 2026

PROJECT RP12414



The Figure illustrates arm (812) movable in a horizontal plane.

References

Informative references

Attention is drawn to the following places, which may be of interest for search:

Wings supported on arms movable in a horizontal plane	E05D 15/28
-------------------------------------------------------	----------------------------

Special rules of classification

If the arms include a transversely moving carriage, classification is also made in group [E05D 15/1042](#).

2. A. DEFINITIONS (modified)

E05D

Definition statement

Replace: The Definition statement text with the revised text below.

Hinges or other suspension devices such as sliding suspensions, for wings in building construction or outfitting, fences, domestic appliances, vehicles or furniture.

Hinge parts, e.g. pins, flaps or sleeves. Hinges of special construction, e.g. adjustable hinges or hinges with devices for preventing movement between hinge parts.

Accessories for hinges or for sliding or lifting wings.

Structures used both as a pivotal connection and as a hinge for a wing.

Relationships with other classification places

Replace: The Relationships text with the revised text below.

- Locks for doors and windows are covered in subclasses [E05B](#) or [E05C](#).
- Doors, windows, gates and frames in buildings are covered in subclass [E06B](#).
- Doors, windows and other moveable wings in vehicles are covered in subclass [B60J](#).
- Doors, covers, lids and other moveable wings in furniture are covered in subclass [A47B](#).

References

Delete: The entire Limiting references section.

Informative references

Replace: The Informative references table with the revised table below.

Foldable tables	A47B 3/00
Hinged panels forming a table	A47B 5/00

CPC NOTICE OF CHANGES 1924

DATE: AUGUST 1, 2026

PROJECT RP12414

Foldable chairs	A47C 4/00
Making hinges by processing metal sheets	B21D 53/40
Making hinges by metal forging or pressing	B21K 13/02
Making holes with slotting or mortising machines for taking up fittings	B27F 5/12
Hinges for vehicle tailboards	B60P 1/26
Arrangements for watertight doors in ships	B63B 43/24
Hinges for refuse receptacles	B65F 1/1646
Heavy bearings in sluice gates	E02B 7/40
Mechanisms in the shape of hinges or pivots, operated by the weight of the wing	E05F 1/06
Mechanisms in the shape of hinges or pivots, operated by springs	E05F 1/12
Closers or openers with braking devices in hinges	E05F 3/20
Pivots; Pivotal connections	F16C 11/00
Mounting of stove or range doors	F24C 15/023
Mounting of refrigerator doors	F25D 23/02
Hinges for glasses	G02C 5/22
Hinges for folding parts of portable electronic devices	G06F 1/1615
Details of hinges for folding parts of portable electronic devices	G06F 1/1681
Constructional features of hinges in portable telephone sets	H04M 1/0202

Special rules of classification

Replace: The Special rules text with the revised text below.

Reference [F16C 11/00](#) is non-limiting in the subclass [E05D](#). CPC will be updated/corrected once this inconsistency is resolved in IPC.

Indexing code [E05Y 2900/00](#) covers additional information on the application or use of the devices. The indexing code is shared with the subclass [E05F](#).

Glossary of terms

Replace: The Glossary of terms table with the revised table below.

carriage	support element that supports the weight of a wing and transfers it directly to an underlying rail or track, on
----------	-----------------------------------------------------------------------------------------------------------------

DATE: AUGUST 1, 2026

PROJECT RP12414

	which the carriage slides or rolls. Can include a single rolling element, e.g. wheel.
flaps	parts of hinges for attachment to wings or frames
hinges	devices with a varying number and type of pins and arms, for pivoting connection of wings to a fixed structure
overhead wings	specific type of wings, wherein the wing can move into an overhead position, e.g. a garage door
self-closing hinges	gravity- or spring-operated hinges constructed to provide a closing force to wings over a substantial part of their movement, including devices for wing-counterbalancing
substitutes for hinges	devices, without the use of a hinge pin, for pivoting connection of wings to a fixed structure
suspension arrangements	arrangements to suspend or otherwise support wings other than by hinges; for wing motions other than simple pivoting, e.g. revolving, sliding, combined or alternative motions
vehicle	land vehicles, e.g. cars, trucks, buses or trains
wings	pivotable, slideable or otherwise moveable part of doors, windows, flaps, covers or similar structures to prevent traffic through a passageway in building construction and outfitting, fences, domestic appliances, vehicles or furniture; the term also includes drawers, lids of chests, car boots or trunks, car bonnets or hoods

Synonyms and Keywords

Replace: The Synonyms and Keywords table with the revised bulleted list below.

- “pivoting” and “swinging”
- “suspension arrangements” and “suspension devices”

DATE: AUGUST 1, 2026

PROJECT RP12414

E05D 15/1042

Insert: The following new Special rules section.

Special rules of classification

Transversely moving carriages on an arm movable in a horizontal plane are also classified in group [E05D 15/1005](#).

E05D 15/50

Delete: The entire Limiting references section.

Special rules of classification

Replace: The Special rules text with the revised text below.

If the opening at either of two opposite edges is provided by easy separation or connection of hinges at the hinge axis, classification should be made in groups [E05D 15/50](#) and [E05D 7/10](#).

If the opening at either of two opposite edges is provided by easy separation or connection of hinge flap(s) from the wing or frame, classification should be made in groups [E05D 15/50](#) and [E05D 7/12](#).

CPC NOTICE OF CHANGES 1924

DATE: AUGUST 1, 2026

PROJECT RP12414

2. B. DEFINITIONS QUICK FIX

Symbol	Location of change (e.g., section title)	Existing reference symbol or text	Action; New symbol; New text
E05D3/06	Entire definition		Delete entire definition
E05D3/142	Entire definition		Delete entire definition
E05D5/0207	Entire definition		Delete entire definition
E05D5/0276	Entire definition		Delete entire definition
E05D5/10	Entire definition		Delete entire definition
E05D5/125	Entire definition		Delete entire definition
E05D5/127	Entire definition		Delete entire definition
E05D7/0423	Entire definition		Delete entire definition
E05D7/1011	Entire definition		Delete entire definition
E05D7/1044	Entire definition		Delete entire definition
E05D7/1061	Entire definition		Delete entire definition
E05D7/12	Entire definition		Delete entire definition
E05D9/005	Entire definition		Delete entire definition
E05D11/04	Entire definition		Delete entire definition
E05D11/1057	Entire definition		Delete entire definition
E05D13/003	Entire definition		Delete entire definition
E05D13/1215	Entire definition		Delete entire definition
E05D13/1238	Entire definition		Delete entire definition
E05D13/1261	Entire definition		Delete entire definition
E05D13/1276	Entire definition		Delete entire definition
E05D13/1284	Entire definition		Delete entire definition
E05D15/22	Entire definition		Delete entire definition
E05D15/48	Entire definition		Delete entire definition
E05D15/526	Entire definition		Delete entire definition

Notes:

Use this Definitions Quick Fix (DQF) table to:

- Delete an entire definition
- Delete an entire section
- Change a reference symbol
- Delete a reference symbol
- Delete text in a References section
- Correct one error in spelling, article use, or verb tense

Otherwise, use the standard template.

Reminder: Never delete F symbol definitions.

CPC NOTICE OF CHANGES 1924

DATE: AUGUST 1, 2026

PROJECT RP12414

3. REVISION CONCORDANCE LIST (RCL)

<u>Type*</u>	<u>From CPC Symbol (existing)</u>	<u>To CPC Symbol(s)</u>
D	E05D 2700/00	<no transfer>
D	E05D 2700/02	<no transfer>
D	E05D 2700/04	<no transfer>
D	E05D 2700/10	<no transfer>
D	E05D 2700/12	<no transfer>

* C = entries with modified file scope where reclassification of documents from the entries is involved; Q = new entries which are firstly populated with documents via administrative transfers from deleted (D) entries. Afterwards, the transferred documents into the Q entry will either stay or be moved to more appropriate entries, as determined by intellectual reclassification; D = deleted entries; F = frozen entries will be deleted once reclassification of documents from the entries is completed.

NOTES:

- Only C, D, F, and Q type entries are included in the table above.
- When multiple symbols are included in the “To” column, do not use ranges of symbols.
- For administrative transfer of documents, the following text should be used: “< administrative transfer to XX>”, “<administrative transfer to XX and YY simultaneously>”, or “<administrative transfer to XX, YY, ...and ZZ simultaneously>” when administrative transfer of the same documents is to more than one place.
- Administrative transfer to main trunk groups is assumed to be the source allocation type, unless otherwise indicated.
- Administrative transfer to 2000/Y series groups is assumed to be “additional information”.
- If needed, instructions for allocation type should be indicated within the angle brackets using the abbreviations “ADD” or “INV”: <administrative transfer to XX ADD>, <administrative transfer to XX INV>, or < administrative transfer to XX ADD, YY INV, ... and ZZ ADD simultaneously>.
- In certain situations, the “D” entries of 2000-series or Y-series groups may not require a destination (“To”) symbol, however it is required to specify “<no transfer>” in the “To” column for such cases.
- RCL is not needed for finalisation projects.

CPC NOTICE OF CHANGES 1924

DATE: AUGUST 1, 2026

PROJECT RP12414

4. CHANGES TO THE CPC-TO-IPC CONCORDANCE LIST (CICL)

<u>CPC</u>	<u>IPC</u>	<u>Action*</u>
E05D 2700/00		DELETE
E05D 2700/02		DELETE
E05D 2700/04		DELETE
E05D 2700/10		DELETE
E05D 2700/12		DELETE

*Action column:

- For an (N) or (Q) entry, provide an IPC symbol and complete the Action column with “NEW.”
- For an existing CPC main trunk entry or indexing entry where the existing IPC symbol needs to be changed, provide an updated IPC symbol and complete the Action column with “UPDATED.”
- For a (D) CPC entry or indexing entry complete the Action column with “DELETE.” IPC symbol does not need to be included in the IPC column.
- For an (N) 2000 series CPC entry which is positioned within the main trunk scheme (breakdown code) provide an IPC symbol and complete the action column with “NEW”.
- For an (N) 2000 series CPC entry positioned at the end of the CPC scheme (orthogonal code), with no IPC equivalent, complete the IPC column with “CPCONLY” and complete the action column with “NEW”.

NOTES:

- F symbols are not included in the CICL table above.
- T and M symbols are not included in the CICL table above unless a change to the existing IPC is desired.