

EUROPEAN PATENT OFFICE
U.S. PATENT AND TRADEMARK OFFICE

CPC NOTICE OF CHANGES 1922

DATE: AUGUST 1, 2026

PROJECT MP12950

The following classification changes will be effected by this Notice of Changes:

<u>Action</u>	<u>Subclass</u>	<u>Group(s)</u>
SCHEME:		
Titles Changed:	A61B	1/267, 1/273, 1/307, 1/31, 1/317
	A61B	3/103
	A61B	8/14
	A61D	1/12
	A61D	7/00
	A61D	9/00
	A61F	2/44, 2/48, 2/76, 2/78
	A61F	5/443, 5/449
	A61F	13/49
	A61F	15/02
	A61G	SUBCLASS
	A61G	1/003, 1/04
	A61G	5/00
	C08L	89/00
	C09D	189/00
Notes Modified:	B65D	SUBCLASS
DEFINITIONS:		
Definitions New:	A61B	1/31
Definitions Modified:	A61D	1/12
	A61D	7/00
	A61D	9/00
	A61F	2/44
	A61G	1/003
	C08L	89/00
	C09D	189/00
	C09J	189/00

No other subclasses/groups are impacted by this Notice of Changes.

CPC NOTICE OF CHANGES 1922

DATE: AUGUST 1, 2026

PROJECT MP12950

This Notice of Changes includes the following *[Check the ones included]:*

1. CLASSIFICATION SCHEME CHANGES

- A. New, Modified or Deleted Group(s)
- B. New, Modified or Deleted Warning(s)
- C. New, Modified or Deleted Note(s)
- D. New, Modified or Deleted Guidance Heading(s)

2. DEFINITIONS

- A. New or Modified Definitions (Full definition template)
- B. Modified or Deleted Definitions (Definitions Quick Fix)

3. REVISION CONCORDANCE LIST (RCL)

4. CHANGES TO THE CPC-TO-IPC CONCORDANCE LIST (CICL)

5. CHANGES TO THE CROSS-REFERENCE LIST (CRL)

CPC NOTICE OF CHANGES 1922

DATE: AUGUST 1, 2026

PROJECT MP12950

1. CLASSIFICATION SCHEME CHANGES

A. New, Modified or Deleted Group(s)

SUBCLASS A61B - DIAGNOSIS; SURGERY; IDENTIFICATION

<u>Type*</u>	<u>Symbol</u>	<u>Indent Level Number of dots (e.g. 0, 1, 2)</u>	<u>Title</u> <u>“CPC only” text should normally be enclosed in {curly brackets}**</u>	<u>Transferred to[#]</u>
M	A61B1/267	1	for the respiratory tract, e.g. laryngoscopes or bronchoscopes	
M	A61B1/273	1	for the upper alimentary canal, e.g. oesophagoscopes or gastroscopes	
M	A61B1/307	1	for the urinary organs, e.g. urethroscopes or cystoscopes	
M	A61B1/31	1	for the rectum, e.g. proctoscopes or sigmoidoscopes	
M	A61B1/317	2	for bones or joints, e.g. osteoscopes or arthroscopes	
M	A61B3/103	2	for determining refraction, e.g. refractometers or skiascopes	
M	A61B8/14	2	Echotomography	

SUBCLASS A61D - VETERINARY INSTRUMENTS, IMPLEMENTS, TOOLS, OR METHODS

<u>Type*</u>	<u>Symbol</u>	<u>Indent Level Number of dots (e.g. 0, 1, 2)</u>	<u>Title</u> <u>“CPC only” text should normally be enclosed in {curly brackets}**</u>	<u>Transferred to[#]</u>
M	A61D1/12	1	Instruments for removing foreign bodies from animals' throats, oesophagus or stomachs	
M	A61D7/00	0	Devices or methods for introducing solid, liquid or gaseous remedies or other materials into or onto the bodies of animals (for reproduction or fertilisation A61D19/00)	
M	A61D9/00	0	Bandages, poultices or compresses specially adapted to veterinary purposes	

CPC NOTICE OF CHANGES 1922

DATE: AUGUST 1, 2026

PROJECT MP12950

SUBCLASS A61F - FILTERS IMPLANTABLE INTO BLOOD VESSELS; PROSTHESES; DEVICES PROVIDING PATENCY TO, OR PREVENTING COLLAPSING OF, TUBULAR STRUCTURES OF THE BODY, e.g. STENTS; ORTHOPAEDIC, NURSING OR CONTRACEPTIVE DEVICES; FOMENTATION; TREATMENT OR PROTECTION OF EYES OR EARS; BANDAGES, DRESSINGS OR ABSORBENT PADS; FIRST-AID KITS

<u>Type*</u>	<u>Symbol</u>	<u>Indent Level</u> <u>Number of</u> <u>dots (e.g. 0, 1,</u> <u>2)</u>	<u>Title</u> <u>“CPC only” text should normally be</u> <u>enclosed in {curly brackets}**</u>	<u>Transferred to#</u>
M	A61F2/44	3	for the spine, e.g. vertebrae or spinal discs	
M	A61F2/48	2	Operating or control means, e.g. from outside the body or control of sphincters	
M	A61F2/76	2	Means for assembling, fitting or testing prostheses, e.g. for measuring or balancing	
M	A61F2/78	2	Means for protecting prostheses or for attaching them to the body, e.g. bandages, harnesses, straps or stockings for the limb stump	
M	A61F5/443	2	having {adhesive seals for securing to the body, e.g. of} hydrocolloid type seals, e.g. gels, starches or karaya gums	
M	A61F5/449	3	Body securing means, e.g. belts or garments	
M	A61F13/49	3	specially adapted to be worn around the waist, e.g. diapers or nappies	
M	A61F15/02	1	Devices for cutting bandages of any kind, e.g. shears or cast-cutting saws	

SUBCLASS A61G - TRANSPORT, PERSONAL CONVEYANCES OR ACCOMMODATION SPECIALLY ADAPTED FOR PATIENTS OR DISABLED PERSONS; OPERATING TABLES OR CHAIRS; CHAIRS FOR DENTISTRY; FUNERAL DEVICES

<u>Type*</u>	<u>Symbol</u>	<u>Indent Level</u> <u>Number of</u> <u>dots (e.g. 0, 1,</u> <u>2)</u>	<u>Title</u> <u>“CPC only” text should normally be</u> <u>enclosed in {curly brackets}**</u>	<u>Transferred to#</u>
M	A61G	Subclass	TRANSPORT, PERSONAL CONVEYANCES OR ACCOMMODATION SPECIALLY ADAPTED FOR PATIENTS OR DISABLED PERSONS (appliances for aiding patients or disabled persons to walk A61H3/00); OPERATING TABLES OR CHAIRS; CHAIRS FOR DENTISTRY; FUNERAL DEVICES (embalming corpses A01N1/00)	

CPC NOTICE OF CHANGES 1922

DATE: AUGUST 1, 2026

PROJECT MP12950

M	A61G1/003	1	with facilities for picking up patients or disabled persons, e.g. break-away type or using endless belts	
M	A61G1/04	1	Parts, details or accessories, e.g. head-, foot- or like rests specially adapted for stretchers	
M	A61G5/00	0	Chairs or personal conveyances specially adapted for patients or disabled persons, e.g. wheelchairs (devices enabling patients or disabled persons to operate an apparatus or device not forming part of the body A61F4/00; bicycles specially adapted for disabled riders B62K3/16)	

SUBCLASS C08L - COMPOSITIONS OF MACROMOLECULAR COMPOUNDS

<u>Type*</u>	<u>Symbol</u>	<u>Indent Level</u> <u>Number of</u> <u>dots (e.g. 0, 1,</u> <u>2)</u>	<u>Title</u> <u>“CPC only” text should normally be</u> <u>enclosed in {curly brackets}**</u>	<u>Transferred to#</u>
M	C08L89/00	0	Compositions of proteins; Compositions of derivatives thereof	

SUBCLASS C09D - COATING COMPOSITIONS, e.g. PAINTS, VARNISHES OR LACQUERS; FILLING PASTES; CHEMICAL PAINT OR INK REMOVERS; INKS; CORRECTING FLUIDS; WOODSTAINS; PASTES OR SOLIDS FOR COLOURING OR PRINTING; USE OF MATERIALS THEREFOR

<u>Type*</u>	<u>Symbol</u>	<u>Indent Level</u> <u>Number of</u> <u>dots (e.g. 0, 1,</u> <u>2)</u>	<u>Title</u> <u>“CPC only” text should normally be</u> <u>enclosed in {curly brackets}**</u>	<u>Transferred to#</u>
M	C09D189/00	0	Coating compositions based on proteins; Coating compositions based on derivatives thereof	

*N = new entries where reclassification into entries is involved; C = entries with modified file scope where reclassification of documents from the entries is involved; Q = new entries which are firstly populated with documents via administrative transfers from deleted (D) entries. Afterwards, the transferred documents into the Q entry will either stay or be moved to more appropriate entries, as determined by intellectual reclassification; T = existing entries with enlarged file scope, which receive documents from C or D entries, e.g. when a limiting reference is removed from the entry title; M = entries with no change to the file scope (no reclassification); D = deleted entries; F = frozen entries will be deleted once reclassification of documents from the entries is completed; U = entries that are unchanged.

NOTES:

- **No {curly brackets} are used for titles in CPC only subclasses, e.g. C12Y, A23Y; 2000 series symbol titles of groups found at the end of schemes (orthogonal codes); or the Y section titles. The {curly brackets} are used for 2000 series symbol titles found interspersed throughout the main trunk schemes (breakdown codes).

CPC NOTICE OF CHANGES 1922

DATE: AUGUST 1, 2026

PROJECT MP12950

- U groups: it is obligatory to display the required “anchor” symbol (U group), i.e. the entry immediately preceding a new group or an array of new groups to be created (in case new groups are not clearly subgroups of C-type groups). Always include the symbol, indent level and title of the U group in the table above.
- All entry types should be included in the scheme changes table above for better understanding of the overall scheme change picture. Symbol, indent level, and title are required for all types.
- “Transferred to” column must be completed for all C, D, F, and Q type entries. F groups will be deleted once reclassification is completed.
- When multiple symbols are included in the “Transferred to” column, avoid using ranges of symbols in order to be as precise as possible.
- For administrative transfer of documents, the following text should be used: “<administrative transfer to XX>”, “<administrative transfer to XX and YY simultaneously>”, or “<administrative transfer to XX, YY, ...and ZZ simultaneously>” when administrative transfer of the same documents is to more than one place.
- Administrative transfer to main trunk groups is assumed to be the source allocation type, unless otherwise indicated.
- Administrative transfer to 2000/Y series groups is assumed to be “additional information”.
- If needed, instructions for allocation type should be indicated within the angle brackets using the abbreviations “ADD” or “INV”: <administrative transfer to XX ADD>, <administrative transfer to XX INV>, or <administrative transfer to XX ADD, YY INV, ... and ZZ ADD simultaneously>.
- In certain situations, the “D” entries of 2000-series or Y-series groups may not require a destination (“Transferred to”) symbol, however it is required to specify “<no transfer>” in the “Transferred to” column for such cases.
- For finalization projects, the deleted “F” symbols should have <no transfer> in the “Transferred to” column.
- For more details about the types of scheme change, see CPC Guide.

CPC NOTICE OF CHANGES 1922

DATE: AUGUST 1, 2026

PROJECT MP12950

C. New, Modified or Deleted Note(s)

SUBCLASS B65D - CONTAINERS FOR STORAGE OR TRANSPORT OF ARTICLES OR MATERIALS, e.g. BAGS, BARRELS, BOTTLES, BOXES, CANS, CARTONS, CRATES, DRUMS, JARS, TANKS, HOPPERS, FORWARDING CONTAINERS; ACCESSORIES, CLOSURES, OR FITTINGS THEREFOR; PACKAGING ELEMENTS; PACKAGES

<u>Type*</u>	<u>Location</u>	<u>Old Note</u>	<u>New/Modified Note</u>
M	B65D	<p>1. This subclass <u>covers</u>:</p> <ul style="list-style-type: none"> • containers, packaging elements or packages with auxiliary means or provision for displaying articles or materials; • methods of packaging which are wholly characterised by the form of the package produced or the form of the container or packaging element used, as distinct from the operations performed or the apparatus employed, which are covered by subclass B65B. <p>2. This subclass, which is intended to be as comprehensive as possible, only excludes containers or packages of a nature clearly confined to a single other subclass, which are classified in that subclass.</p> <p>3. In this subclass, groups B65D 5/00, B65D 27/00 {, B65D 29/00, B65D 31/00} or B65D 65/00 include constructional features of foldable or erectable container or wrapper blanks as well as the containers or wrappers formed by folding or erecting such blanks.</p> <p>4. Containers, packaging elements or packages classified in group B65D 85/00 are also classified according to the constructional or functional features if such features are of interest.</p> <p>5. In this subclass, the following terms or expressions are used with the meanings indicated:</p> <ul style="list-style-type: none"> • "rigid or semi-rigid containers" includes: <ul style="list-style-type: none"> a. containers not deformed by, or not taking-up the shape of, their content; b. containers adapted to be temporarily deformed to expel their contents; c. pallets; d. trays; 	<p>1. This subclass <u>covers</u>:</p> <ul style="list-style-type: none"> • containers, packaging elements or packages with auxiliary means or provision for displaying articles or materials; • methods of packaging which are wholly characterised by the form of the package produced or the form of the container or packaging element used, as distinct from the operations performed or the apparatus employed, which are covered by subclass B65B. <p>2. This subclass, which is intended to be as comprehensive as possible, <u>only excludes</u> containers or packages of a nature clearly confined to a single other subclass, which are classified in that subclass.</p> <p>3. In this subclass, groups B65D5/00, B65D27/00, {B65D29/00, B65D31/00} or B65D65/00 include constructional features of foldable or erectable container or wrapper blanks as well as the containers or wrappers formed by folding or erecting such blanks.</p> <p>4. Containers, packaging elements or packages classified in group B65D85/00 are also classified according to the constructional or functional features if such features are of interest.</p> <p>5. Large containers, as defined in Note (6) below, are classified in groups B65D88/00 or B65D90/00. Features that are of interest for containers in general may also be classified in other groups of subclass B65D when they are considered to represent information of interest for search.</p> <p>6. In this subclass, the following terms or expressions are used with the meanings indicated:</p> <ul style="list-style-type: none"> • "rigid or semi-rigid containers" includes:

CPC NOTICE OF CHANGES 1922

DATE: AUGUST 1, 2026

PROJECT MP12950

	<ul style="list-style-type: none"> • "flexible containers" includes: <ol style="list-style-type: none"> a. containers deformed by, or taking-up the shape of, their contents; b. containers adapted to be permanently deformed to expel their contents; • "packaging elements" includes: <ol style="list-style-type: none"> a. elements, other than containers, for covering, protecting, stiffening or holding together articles or materials to be stored or transported; b. packaging materials of special type or form not provided for in other subclasses; • "packages" includes: <ol style="list-style-type: none"> a. combinations of containers or packaging elements with articles or materials to be stored or transported; b. articles joined together for convenience of storage or transport; • "paper" includes materials, e.g. cardboard, plastic sheet materials, laminated materials or metal foils, worked in a manner analogous to paper; • "large containers", in groups B65D 88/00 or B65D 90/00, means containers having about the size of containers used in container traffic, sometimes referred to as freight, forwarding or "ISO" [International Organization for Standardization] containers or larger containers. 6. Tamper-indicating means for containers or closures are classified in the group appropriate to the type of container or closure, e.g. B65D 5/54, B65D 17/00, B65D 27/30, B65D 27/34, B65D 33/34, B65D 41/32, B65D 47/36, B65D 49/12, B65D 51/20, B65D 55/06. 7. {In this subclass, the indexing codes of B65D 2519/00004 - B65D 2519/00995 should be added, if applicable.} 	<ol style="list-style-type: none"> a. containers not deformed by, or not taking-up the shape of, their contents; b. containers adapted to be temporarily deformed to expel their contents; c. pallets; d. trays; <ul style="list-style-type: none"> • "flexible containers" includes: <ol style="list-style-type: none"> a. containers deformed by, or taking-up the shape of, their contents; b. containers adapted to be permanently deformed to expel their contents; • "packaging elements" includes: <ol style="list-style-type: none"> a. elements, other than containers, for covering, protecting, stiffening or holding together articles or materials to be stored or transported; b. packaging materials of special type or form not provided for in other subclasses; • "packages" includes: <ol style="list-style-type: none"> a. combinations of containers or packaging elements with articles or materials to be stored or transported; b. articles joined together for convenience of storage or transport; • "paper" includes materials, e.g. cardboard, plastic sheet materials, laminated materials or metal foils, worked in a manner analogous to paper; • "large containers", in groups B65D88/00 or B65D90/00, means containers having about the size of containers used in container traffic, sometimes referred to as freight, forwarding or "ISO" [International Organization for Standardization] containers or larger containers. 7. Tamper-indicating means for containers or closures are classified in the group appropriate to the type of container or closure, e.g. {B65D5/42,} B65D5/54, B65D17/00, B65D27/30, B65D27/34, B65D33/34, B65D41/32, B65D47/36, B65D49/12, B65D51/20, B65D55/06. 8. {In this subclass, the indexing codes of B65D2519/00 should be added, if applicable.}
--	---	--

*N = new note, M = modified note, D = deleted note

CPC NOTICE OF CHANGES 1922

DATE: AUGUST 1, 2026

PROJECT MP12950

NOTE: The "Location" column only requires the symbol PRIOR to the location of the note. No further directions such as "before" or "after" are required.

DATE: AUGUST 1, 2026

PROJECT MP12950

2. A. DEFINITIONS (new)

A61B1/31

Definition statement

This place covers:

Instruments for performing medical examinations of the lower gastrointestinal tract by visual or photographic inspection, e.g. proctoscopes, sigmoidoscopes or colonoscopes.

DATE: AUGUST 1, 2026

PROJECT MP12950

2. A. DEFINITIONS (modified)

A61D1/12

References

Delete: The entire Limiting references section.

Insert: The following new Informative references section.

Informative references

Attention is drawn to the following places, which may be of interest for search:

Instruments for removing foreign bodies from the human body	A61B17/50
---	---------------------------

A61D 7/00

References

Limiting references

Delete: The following one row from the existing Limiting references table.

Devices for implanting pellets, radon seeds or the like	A61M37/0069
---	-------------

Insert: The following new Informative references section.

Informative references

Attention is drawn to the following places, which may be of interest for search:

Devices for implanting pellets, e.g. markers or solid medicaments	A61M37/0069
---	-----------------------------

CPC NOTICE OF CHANGES 1922

DATE: AUGUST 1, 2026

PROJECT MP12950

A61D9/00

References

Delete: The entire Limiting references section.

Insert: The following new Informative references section.

Informative references

Attention is drawn to the following places, which may be of interest for search:

Fetlock rings	A01K13/00
---------------	---------------------------

A61F2/44

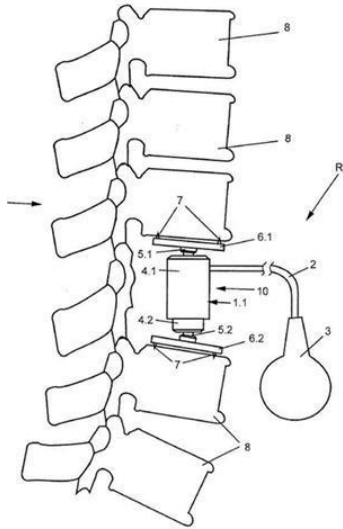
Insert: The following new Definition statement.

Definition statement

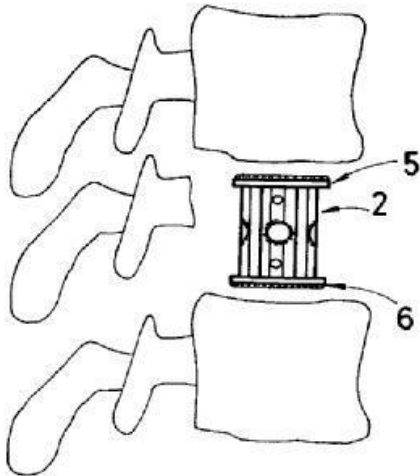
This place covers:

Illustrative examples of subject matter classified in this place:

1.



2.



CPC NOTICE OF CHANGES 1922

DATE: AUGUST 1, 2026

PROJECT MP12950

Delete: The entire Special rules section.

DATE: AUGUST 1, 2026

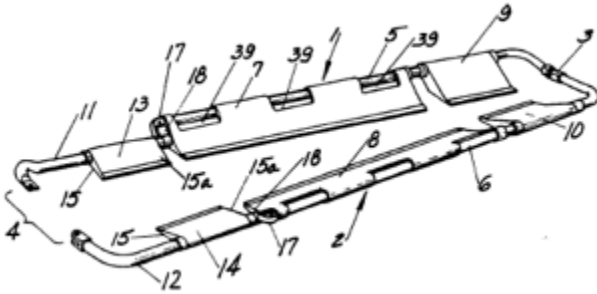
PROJECT MP12950

A61G1/003

Definition statement

Replace: The existing Definition statement with the following updated text and image.

Illustrative example of the subject matter classified in this place:



The Figure shows a stretcher of the break-away type.

References

Informative references

Replace: The text in the existing Informative references table with the following updated text.

Devices for lifting patients or disabled persons, e.g. special adaptations of hoists thereto	A61G7/10
--	--------------------------

DATE: AUGUST 1, 2026

PROJECT MP12950

C08L89/00**Definition statement**

Insert: A period at the end of the existing Definition statement so that the updated statement appears as follows.

Compositions of proteins or derivatives thereof corresponding to the following groups: [C08H1/00](#) - [C08H1/06](#).

References***Application-oriented references***

Replace: The text in the existing Application-oriented references table with the following updated text.

Working-up of proteins for foodstuffs	A23J3/00
---------------------------------------	--------------------------

Informative references

Replace: The existing Informative references table with the following updated table.

Composition of natural macromolecular compounds or of derivatives thereof not provided for in groups C08L89/00 - C08L97/00 , e.g. flours	C08L99/00
Proteins or derivatives thereof per se	C08H1/00
Coating composition comprising proteins or protein derivatives	C09D189/00
Adhesive or binder composition comprising proteins or protein derivatives	C09J189/00

DATE: AUGUST 1, 2026

PROJECT MP12950

Special rules of classification

Delete: The first paragraph of the existing Special rules section, so that the updated text appears as follows.

Last place priority rule:

Within each sub group of this group, in the absence of an indication to the contrary, classification is made in the last appropriate place.

Classification guidance:

- The subject-matter disclosed in both the claims and the examples of a patent document is to be classified.
- Hydrogels are classified in [C08J3/075](#) and [C08J2300/00 - C08J2399/00](#) and the corresponding [C08L](#).

Example: Hydrogel of collagen is classified in [C08L89/06](#), [C08J3/075](#) and [C08J2389/00](#).

C-sets classifications:

In this group, C-Sets (e.g. #C08La, #C08La (Si), #C08Lb, and #C08Lb(Si)) are used. The detailed information about the C-Sets construction and the associated syntax rules are found in the "Special rules of classification" in [C08L](#).

- The compositions of this group are classified according to the relative proportions by weight percentage of the macromolecular constituents.
- If all the constituents are present in equal proportions, the composition is classified according to each of these constituents.
- A single symbol is given according to the macromolecular constituent present in the highest proportion.
- Compositions containing a proteins or derivatives thereof and an inorganic or non-macromolecular organic additive as compounding agent are classified in the form of C-Sets (i.e. #C08Ka and #C08Lb). The detailed information about the C-Sets construction and the associated syntax rules are found in the Special rules of subclasses [C08K](#) and [C08L](#).

Example 1: Composition consisting of gelatine and glass fibres (filler) is classified in [C08L89/06](#), [C08K7/14](#) and as ([C08K7/14](#), [C08L89/06](#)).

C-Sets searches:

CPC NOTICE OF CHANGES 1922

DATE: AUGUST 1, 2026

PROJECT MP12950

C-Sets search queries may be made according to C-Sets classification rules described in [C08L](#) and related subclasses. In addition, #C8Lz, #C9Dz, and #C9Jz Search Rules may be followed to search for polymers in documents classified prior to April 2012.

DATE: AUGUST 1, 2026

PROJECT MP12950

C09D189/00**Definition statement**

Replace: The existing Definition statement with the following updated text.

Coating compositions of proteins or derivatives thereof, i.e. of complex organic macromolecules that containing carbon, hydrogen, oxygen, nitrogen and usually sulfur and are composed of one or more chains or amino acids parts and that correspond to the following groups for the macromolecular products derived from proteins as such: [C08H1/00](#) - [C08H1/06](#).

References***Application-oriented references***

Replace: The existing text in the Application-oriented table with the following updated text.

Working-up proteins for foodstuffs	A23J3/00
------------------------------------	--------------------------

Informative references

Replace: The existing Informative references table with the following updated table.

Composition comprising proteins or protein derivatives	C08L89/00
Adhesive composition comprising proteins or protein derivatives	C09J189/00

Special rules of classification

Replace: The existing Special rules text with the following updated text.

Last place priority rule:

DATE: AUGUST 1, 2026

PROJECT MP12950

Within each subgroup of this group, in the absence of an indication to the contrary, classification is made in the last appropriate place.

Classification guidance:

- The subject-matter disclosed in both the claims and the examples of a patent document is to be classified.
- Proteins or derivatives thereof in solution, or together with other macromolecular compounds, or together with an inorganic or non-macromolecular organic additive are considered as a composition and are thus classified according to the rules of [C08L](#). They are classified according to the relevant proportions by weight of only the macromolecular constituents, in particular according to the macromolecular constituent present in the highest proportion.
- If all the constituents are present in equal proportions, the composition is classified according to each of these constituents.
- Coating compositions containing a protein or derivatives thereof and an inorganic or non-macromolecular organic additive as compounding agent are not classified in [C08K](#), but in the corresponding [C09D](#) subclass together with the corresponding Code(s) in [C08K](#).

C-Sets classification:

In this group, C-Sets ([#C9Dc](#), [#C9De](#), [#C9Df](#), [#C9Dc\(Si\)](#) and [#C9Df\(Si\)](#)) are used for classification. The detailed information about the C-Sets construction and the associated syntax rules are found in the Special rules of [C09D101/00](#).

C-Sets searches:

C-Sets search queries may be made according to C-Sets classification rules described in [C09D101/00](#) and related subclasses. In addition, [#C8Lz](#), [#C9Dz](#) and [#C9Jz](#) Search Rules may be followed to search for polymers with additives in documents classified prior to April 2012.

DATE: AUGUST 1, 2026

PROJECT MP12950

C09J189/00**References*****Application-oriented references***

Replace: The text in the existing Application-oriented references table with the following updated text.

Working-up of proteins of foodstuffs	A23J3/00
--------------------------------------	--------------------------

Informative references

Replace: The existing Informative references table with the following updated table.

Composition comprising proteins or protein derivatives	C08L89/00
Coating composition comprising proteins or protein derivatives	C09D189/00

Special rules of classification

Delete: The first bullet point under “Classification guidance”, so that the updated Special rules text appears as follows.

Last place priority rule:

Within each subgroup of this group, in the absence of an indication to the contrary, classification is made in the last appropriate place.

Classification guidance:

- The subject-matter disclosed in both the claims and the examples of a patent document is to be classified.

C-Sets classification:

In this group, C-Sets (#C9Jc, #C9Je, #C9Jf, #C9Jc(Si) and #C9Jf(Si)) are used for classification. The detailed information about the C-Sets construction and the associated syntax rules are found in the Special rules of [C09J101/00](#).

DATE: AUGUST 1, 2026

PROJECT MP12950

- If [C09J189/00](#) relates to an adhesive composition of proteins or derivatives, classification is given in the form of C-Sets (i.e. #C9J(c)) according to the relative weight percentage of the polymer constituents.
- The polymer in majority is given a symbol as a base symbol, and the polymers in minority are given symbols as subsequent symbols in the form of C-Sets.
- In addition, a single symbol is given according to the macromolecular constituent present in the highest proportion.
- If all the constituents are present in equal weight percentage, the composition is classified according to each of these constituents.
- In the case that several polymers can be in majority, separate C-Sets should be made based on each polymer in majority and its component(s) in minority.
- Orthogonal indexing codes [C08L2201/00](#) - [C08L2555/86](#) are also given if applicable.

C-Sets searches:

C-Sets search queries may be made according to C-Sets classification rules described in [C09J](#) and related subclasses. In addition, #C8Lz, #C9Dz, and #C9Jz Search Rules may be followed to search for polymers in documents classified prior to April 2012.