

EUROPEAN PATENT OFFICE
U.S. PATENT AND TRADEMARK OFFICE

CPC NOTICE OF CHANGES 1913

DATE: AUGUST 1, 2026

PROJECT RP12222

The following classification changes will be effected by this Notice of Changes:

<u>Action</u>	<u>Subclass</u>	<u>Group(s)</u>
SCHEME:		
Symbols Deleted Pending Reclassification: (frozen (F))	F41G	1/387
Symbols New:	F41G	1/384, 1/3841, 1/3843, 1/3845, 1/3846, 1/3847, 1/3849, 1/3851, 1/3853, 1/386, 1/3861, 1/3863, 1/3864, 1/3865
	F41G	11/0032, 11/00321, 11/00323, 11/00324, 11/00325, 11/00327, 11/0034, 11/00341, 11/003412, 11/003414, 11/003416, 11/00343, 11/003431, 11/003433, 11/003437, 11/00345, 11/00347, 11/00349, 11/0038, 11/00381, 11/00384, 11/00387
Titles Changed:	F41G	1/00, 1/35, 1/38
	F41G	3/065
	F41G	7/306
	F41G	11/001
Warnings New:	F41G	1/38, 1/384, 1/386, 1/387
	F41G	11/001, 11/003, 11/0032, 11/0034, 11/0038
Warnings Modified:	F41G	SUBCLASS
DEFINITIONS:		
Definitions New:	F41G	1/04, 1/3865
	F41G	3/02, 3/04, 3/06
	F41G	11/00343
Definitions Modified:	F41G	SUBCLASS
	F41G	1/00, 1/16, 1/30, 1/32, 1/35, 1/38, 1/387, 1/40, 1/41, 1/42, 1/467
	F41G	3/00
	F41G	11/00, 11/001

No other subclasses/groups are impacted by this Notice of Changes.

CPC NOTICE OF CHANGES 1913

DATE: AUGUST 1, 2026

PROJECT RP12222

This Notice of Changes includes the following [Check the ones included]:

1. CLASSIFICATION SCHEME CHANGES

- A. New, Modified or Deleted Group(s)
- B. New, Modified or Deleted Warning(s)
- C. New, Modified or Deleted Note(s)
- D. New, Modified or Deleted Guidance Heading(s)

2. DEFINITIONS

- A. New or Modified Definitions (Full definition template)
- B. Modified or Deleted Definitions (Definitions Quick Fix)

- 3. REVISION CONCORDANCE LIST (RCL)
- 4. CHANGES TO THE CPC-TO-IPC CONCORDANCE LIST (CICL)
- 5. CHANGES TO THE CROSS-REFERENCE LIST (CRL)

CPC NOTICE OF CHANGES 1913

DATE: AUGUST 1, 2026

PROJECT RP12222

1. CLASSIFICATION SCHEME CHANGES

A. New, Modified or Deleted Group(s)

SUBCLASS F41G - WEAPON SIGHTS; AIMING

<u>Type*</u>	<u>Symbol</u>	<u>Indent Level Number of dots (e.g. 0, 1, 2)</u>	<u>Title</u> <u>“CPC only” text should normally be enclosed in {curly brackets}**</u>	<u>Transferred to#</u>
M	F41G1/00	0	Sighting devices ({structurally associated with laser telemeters F41G 3/065;} for indirect laying of fire F41G 3/16; bombsights F41G 3/24)	
M	F41G1/35	3	for illuminating the target	
C	F41G1/38	1	Telescopic sights specially adapted for smallarms or ordnance (telescopic sights in general G02B); Supports or mountings therefor {(Means for mounting sighting or aiming devices on firearms F41G11/001)}	F41G1/38, F41G1/384, F41G1/3841, F41G1/3843, F41G1/3845, F41G1/3846, F41G1/3847, F41G1/3849, F41G1/3851, F41G1/3853, F41G1/386, F41G1/3861, F41G1/3863, F41G1/3864, F41G1/3865
U	F41G1/383	2	{Protection means therefor}	
N	F41G1/384	2	{Adjustment turrets, i.e. mechanisms having a rotary knob for adjusting the direction of the optical axis}	
N	F41G1/3841	3	{characterised by the provision for both coarse and fine adjustment}	
N	F41G1/3843	3	{characterised by the indication of the rotational position of the turret}	
N	F41G1/3845	3	{having means for allowing more than one revolution}	
N	F41G1/3846	4	{with indicator for the current revolution}	
N	F41G1/3847	3	{characterised by locking means, i.e. for locking the turret in its rotational position}	
N	F41G1/3849	3	{characterised by means for selectively engaging or disengaging the rotary knob portion to or from the adjustment mechanism}	

CPC NOTICE OF CHANGES 1913

DATE: AUGUST 1, 2026

PROJECT RP12222

<u>Type*</u>	<u>Symbol</u>	<u>Indent Level Number of dots (e.g. 0, 1, 2)</u>	<u>Title</u> <u>“CPC only” text should normally be enclosed in {curly brackets}**</u>	<u>Transferred to#</u>
N	F41G1/3851	3	{characterised by means for zeroing or sighting in}	
N	F41G1/3853	3	{characterised by electric or electronic elements, e.g. position sensors or motors for rotating the knob}	
N	F41G1/386	2	{Reticles, i.e. aiming references visible to the user such as crosshairs}	
N	F41G1/3861	3	{physical reticles, e.g. a set of wires or transparent elements provided with markings}	
N	F41G1/3863	4	{characterised by their mounting, e.g. adjustable in position}	
N	F41G1/3864	4	{characterised by the illumination of the reticle}	
N	F41G1/3865	3	{projected or displayed reticles (projected reticles in reflecting sights F41G1/30)}	
F	F41G1/387	2	Mounting telescopic sights on smallarms	F41G 11/001, F41G 11/002, F41G 11/003, F41G11/0032, F41G11/00321, F41G11/00323, F41G11/00324, F41G11/00325, F41G11/00327, F41G11/0034, F41G11/00341, F41G11/003412, F41G11/003414, F41G11/003416, F41G11/00343, F41G11/003431, F41G11/003433, F41G11/003437, F41G11/00345, F41G11/00347, F41G11/00349, F41G11/0038, F41G11/00381, F41G11/00384, F41G11/00387, F41G 11/004, F41G 11/005, F41G 11/006, F41G 11/007, F41G 11/008,

CPC NOTICE OF CHANGES 1913

DATE: AUGUST 1, 2026

PROJECT RP12222

<u>Type*</u>	<u>Symbol</u>	<u>Indent Level Number of dots (e.g. 0, 1, 2)</u>	<u>Title</u> <u>“CPC only” text should normally be enclosed in {curly brackets}**</u>	<u>Transferred to#</u>
M	F41G 3/065	2	{Structural association of sighting devices with laser telemeters}	
M	F41G 7/306	4	{for transmitting guidance signals (F41G 7/308 takes precedence)}	
T	F41G 11/001	1	{Means for mounting sighting or aiming devices on firearms}	
C	F41G 11/003	2	{Mountings with a dove tail element, e.g. "Picatinny rail systems"}	F41G11/003, F41G11/0032, F41G11/00321, F41G11/00323, F41G11/00324, F41G11/00325, F41G11/00327, F41G11/0034, F41G11/00341, F41G11/003412, F41G11/003414, F41G11/003416, F41G11/00343, F41G11/003431, F41G11/003433, F41G11/003437, F41G11/00345, F41G11/00347, F41G11/00349, F41G11/0038, F41G11/00381, F41G11/00384, F41G11/00387
N	F41G11/0032	3	{characterised by the mounting rail}	
N	F41G11/00321	4	{Geometry thereof}	
N	F41G11/00323	4	{provided with additional functional elements (with recoil absorbing means F41G11/002; power or data transfer F41G11/0038)}	
N	F41G11/00324	5	{Flip-up sights}	
N	F41G11/00325	4	{Adjustable, e.g. with respect to the firearm barrel axis}	
N	F41G11/00327	4	{Arrangements for securing the rail to the firearm}	
N	F41G11/0034	3	{characterised by the rail-engaging mounting member}	
N	F41G11/00341	4	{Clamping arrangements}	
N	F41G11/003412	5	{with the clamping provided by a threaded element}	

CPC NOTICE OF CHANGES 1913

DATE: AUGUST 1, 2026

PROJECT RP12222

<u>Type*</u>	<u>Symbol</u>	<u>Indent Level Number of dots (e.g. 0, 1, 2)</u>	<u>Title</u> <u>“CPC only” text should normally be enclosed in {curly brackets}**</u>	<u>Transferred to#</u>
N	F41G11/003414	5	{with the clamping provided by an eccentric element}	
N	F41G11/003416	5	{with the clamping provided by an elastic element}	
N	F41G11/00343	4	{with a movement of the left or right rail-engaging components relative to each other during engaging or disengaging}	
N	F41G11/003431	5	{Translational movements}	
N	F41G11/003433	5	{Rotational movements}	
N	F41G11/003437	5	{Flexing movements}	
N	F41G11/00345	4	{characterised by the locking means in the longitudinal direction}	
N	F41G11/00347	4	{being integral with the mounted device}	
N	F41G11/00349	4	{adapters therefor, i.e. elements for coupling further rails to the mounting rail}	
N	F41G11/0038	3	{characterised by the data or power transfer between the rail and the rail-engaging mounting member}	
N	F41G11/00381	4	{by optical means}	
N	F41G11/00384	4	{by electrical means}	
N	F41G11/00387	5	{by induction means}	

*N = new entries where reclassification into entries is involved; C = entries with modified file scope where reclassification of documents from the entries is involved; Q = new entries which are firstly populated with documents via administrative transfers from deleted (D) entries. Afterwards, the transferred documents into the Q entry will either stay or be moved to more appropriate entries, as determined by intellectual reclassification; T= existing entries with enlarged file scope, which receive documents from C or D entries, e.g. when a limiting reference is removed from the entry title; M = entries with no change to the file scope (no reclassification); D = deleted entries; F = frozen entries will be deleted once reclassification of documents from the entries is completed; U = entries that are unchanged.

NOTES:

- **No {curly brackets} are used for titles in CPC only subclasses, e.g. C12Y, A23Y; 2000 series symbol titles of groups found at the end of schemes (orthogonal codes); or the Y section titles. The {curly brackets} are used for 2000 series symbol titles found interspersed throughout the main trunk schemes (breakdown codes).
- U groups: it is obligatory to display the required “anchor” symbol (U group), i.e. the entry immediately preceding a new group or an array of new groups to be created (in case new groups are not clearly subgroups of C-type groups). Always include the symbol, indent level and title of the U group in the table above.
- All entry types should be included in the scheme changes table above for better understanding of the overall scheme change picture. Symbol, indent level, and title are required for all types.
- “Transferred to” column must be completed for all C, D, F, and Q type entries. F groups will be deleted once reclassification is completed.
- When multiple symbols are included in the “Transferred to” column, avoid using ranges of symbols in order to be as precise as possible.
- For administrative transfer of documents, the following text should be used: “< administrative transfer to XX>”, “<administrative transfer to XX and YY simultaneously>”, or “<administrative transfer to XX, YY, ...and ZZ simultaneously>” when administrative transfer of the same documents is to more than one place.
- Administrative transfer to main trunk groups is assumed to be the source allocation type, unless otherwise indicated.
- Administrative transfer to 2000/Y series groups is assumed to be “additional information”.

CPC NOTICE OF CHANGES 1913

DATE: AUGUST 1, 2026

PROJECT RP12222

- If needed, instructions for allocation type should be indicated within the angle brackets using the abbreviations “ADD” or “INV”: <administrative transfer to XX ADD>, <administrative transfer to XX INV>, or < administrative transfer to XX ADD, YY INV, ... and ZZ ADD simultaneously>.
- In certain situations, the “D” entries of 2000-series or Y-series groups may not require a destination (“Transferred to”) symbol, however it is required to specify “<no transfer>” in the “Transferred to” column for such cases.
- For finalisation projects, the deleted “F” symbols should have <no transfer> in the “Transferred to” column.
- For more details about the types of scheme change, see CPC Guide.

CPC NOTICE OF CHANGES 1913

DATE: AUGUST 1, 2026

PROJECT RP12222

B. New, Modified or Deleted Warning(s)

SUBCLASS F41G - WEAPON SIGHTS; AIMING

<u>Type*</u>	<u>Location</u>	<u>Old Warning</u>	<u>New/Modified Warning</u>
M	F41G	1. In this subclass non-limiting references (in the sense of paragraph 39 of the Guide to the IPC) may still be displayed in the scheme.	1. In this subclass, non-limiting references (in the sense of paragraph 39 of the Guide to the IPC) may still be displayed in the scheme. 2. The following IPC group is not in the CPC scheme. The subject matter for this IPC group is classified in the following CPC groups: F41G1/387 covered by F41G11/001 - F41G11/008
N	F41G 1/38		Group F41G 1/38 is impacted by reclassification into groups F41G 1/384 - F41G 1/3853 and F41G 1/386 - F41G 1/3865. Groups F41G 1/38, F41G 1/384 - F41G 1/3853 and F41G 1/386 - F41G 1/3865 should be considered in order to perform a complete search.
N	F41G 1/384		Groups F41G 1/384 - F41G 1/3853 are incomplete pending reclassification of documents from group F41G 1/38. All groups listed in this Warning should be considered in order to perform a complete search.
N	F41G 1/386		Groups F41G 1/386 - F41G 1/3865 are incomplete pending reclassification of documents from group F41G 1/38. All groups listed in this Warning should be considered in order to perform a complete search.
N	F41G 1/387		Group F41G 1/387 is no longer used for the classification of documents as of August 1, 2026. The content of this group is being reclassified into groups F41G 11/001 - F41G 11/008. Groups F41G 1/387 and F41G 11/001 - F41G 11/008 should be considered in order to perform a complete search.

CPC NOTICE OF CHANGES 1913

DATE: AUGUST 1, 2026

PROJECT RP12222

<u>Type*</u>	<u>Location</u>	<u>Old Warning</u>	<u>New/Modified Warning</u>
N	F41G 11/001		Groups F41G 11/001, F41G 11/002, F41G 11/004, F41G 11/005, F41G 11/006, F41G 11/007 and F41G 11/008 are incomplete pending reclassification of documents from group F41G 1/387. All groups listed in this Warning should be considered in order to perform a complete search.
N	F41G 11/003		Group F41G 11/003 is incomplete pending reclassification of documents from group F41G 1/387. Group F41G 11/003 is also impacted by reclassification into groups F41G 11/0032 - F41G 11/00327, F41G 11/0034 - F41G 11/00349 and F41G 11/0038 - F41G 11/00387. All groups listed in this Warning should be considered in order to perform a complete search.
N	F41G 11/0032		Groups F41G 11/0032 - F41G 11/00327 are incomplete pending reclassification of documents from groups F41G 1/387 and F41G 11/003. All groups listed in this Warning should be considered in order to perform a complete search.
N	F41G 11/0034		Groups F41G 11/0034 - F41G 11/00349 are incomplete pending reclassification of documents from groups F41G 1/387 and F41G 11/003. All groups listed in this Warning should be considered in order to perform a complete search.
N	F41G 11/0038		Groups F41G 11/0038 - F41G 11/00387 are incomplete pending reclassification of documents from groups F41G 1/387 and F41G 11/003. All groups listed in this Warning should be considered in order to perform a complete search.

*N = new warning, M = modified warning, D = deleted warning

NOTE: The "Location" column only requires the symbol PRIOR to the location of the warning. No further directions such as "before" or "after" are required.

DEFINITIONS (i.e. new)

F41G 1/04

Definition statement

This place covers:

Mechanical protection of foresights, e.g. against damage.

F41G 1/3865

References

Limiting references

This place does not cover:

Projected reticles in reflecting sights	F41G 1/30
---	---------------------------

Glossary of terms

In this place, the following terms or expressions are used with the meaning indicated:

displayed reticles	reticles that are created within the optical axis of the telescopic sight, e.g. by a transparent LCD screen
projected reticles	reticles that are created outside of the optical axis and then projected onto an element within the optical axis, e.g. onto a half-mirror

F41G 3/02

Definition statement

This place covers:

DATE: AUGUST 1, 2026

PROJECT RP12222

Aiming arrangements wherein an observing position is remotely situated from the firing position, e.g. targeting using a remote observation platform.

F41G 3/04

Definition statement

This place covers:

Arrangements for aiming at multiple targets or for firing at one or more targets with multiple projectiles fired from one or more firing positions. This includes, in particular, the coordination of multiple firing platforms, the resolution of the weapon or target assignment problem and the control of the spread of a shot.

F41G 3/06

Definition statement

This place covers:

Aiming arrangements making use of range-finding sensors. In particular, this group contains the systems wherein the motion of a target or the ballistic trajectory of a projectile is compensated in accordance with the distance to the target estimated using a range-finding arrangement.

References

Informative references

Attention is drawn to the following places, which may be of interest for search:

Rangefinders per se	G01C
---------------------	------

Special rules of classification

Reference **G01C** is non-limiting in the subgroup **F41G 3/06**. CPC will be updated/corrected once this inconsistency is resolved in the IPC.

F41G 11/00343

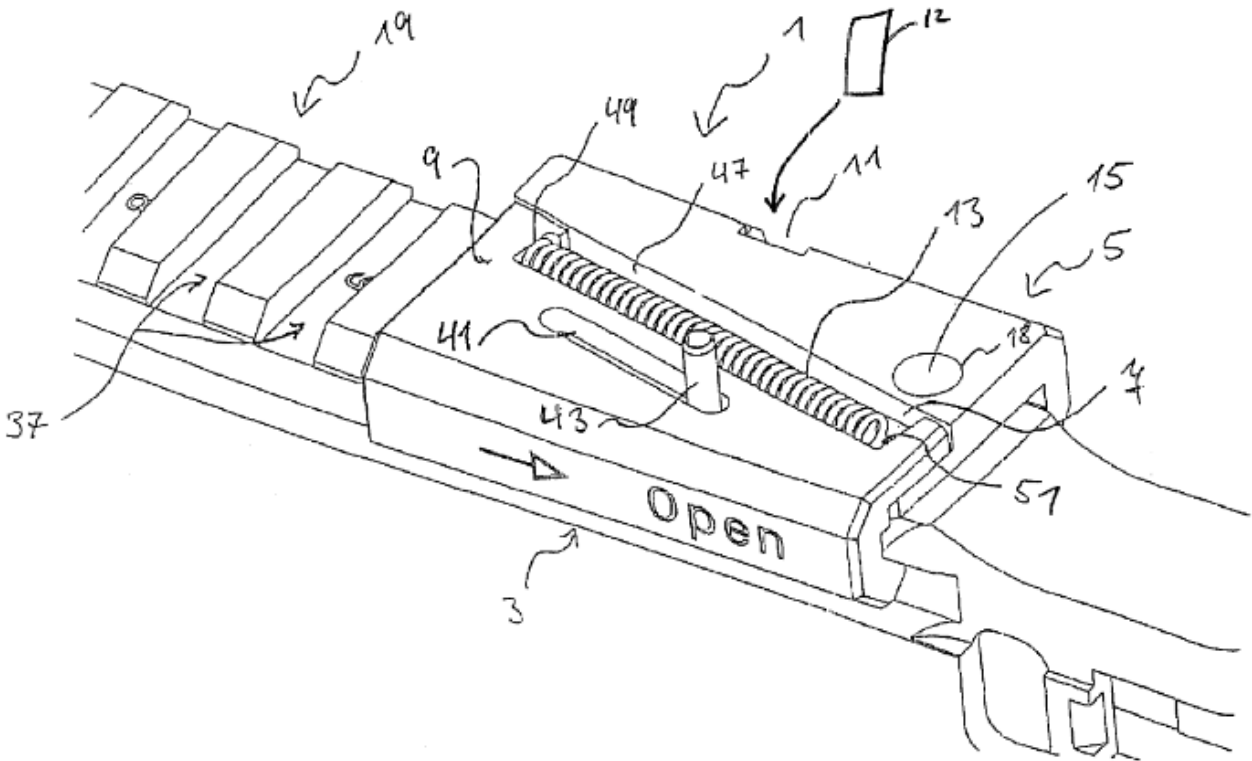
Definition statement

This place covers:

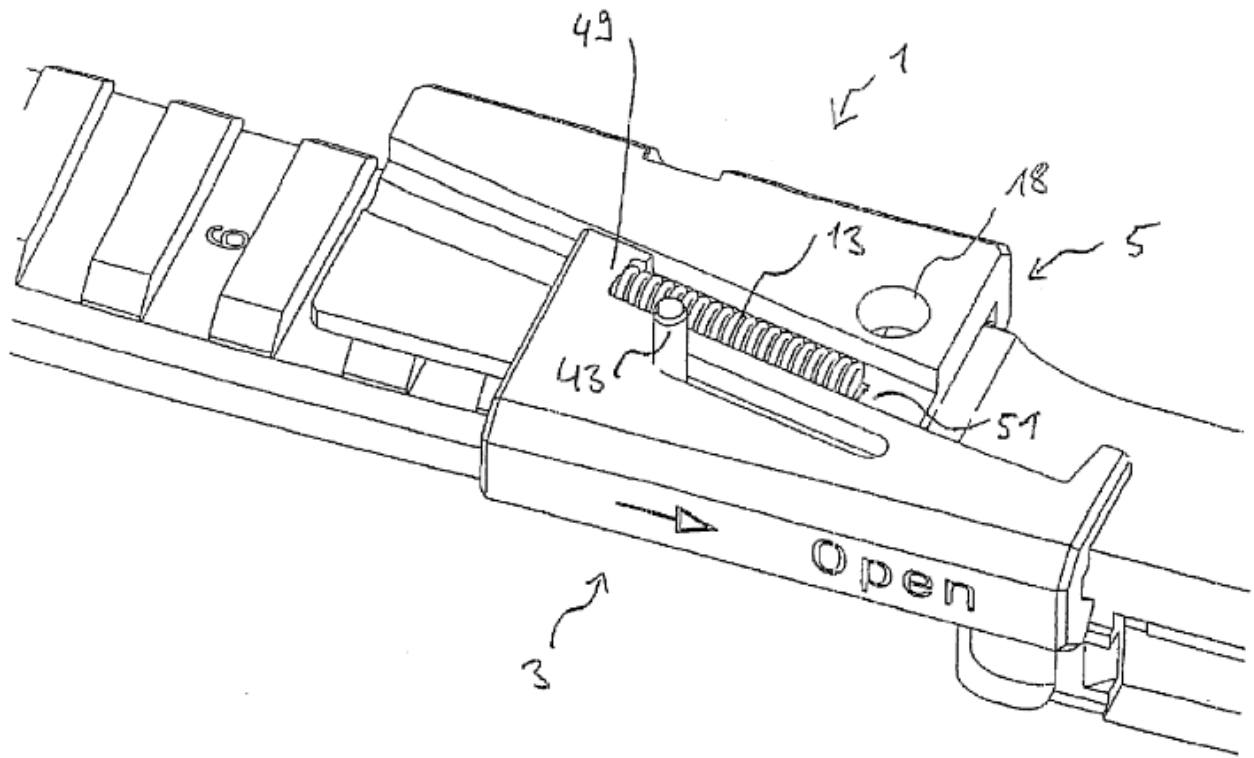
Mounting members where one (or at least one) of the left or right clamping components is movable relative to the rest of the mounting members.

Illustrative example of subject matter classified in this place:

1a.



1b.



Figures 1a and 1b illustrate the left clamping component (49) translating relative to the right clamping component (5) of the mounting member, allowing for the mounting member to engage the rail (19) and be retained in place.

DATE: AUGUST 1, 2026

PROJECT RP12222

DEFINITIONS (modified)

F41G

Definition statement

Replace: The Definition statement text with the revised text below.

Sighting devices.

Aiming or laying means.

Elevating or traversing control systems for weapons.

Direction control systems for missiles or projectiles.

Relationships with other classification places

Replace: The Relationships text with the revised text below.

F41G is an application-oriented subclass.

Specificities relating to functions involved for achieving sighting and aiming are to be classified in the corresponding functional classification subclasses, e.g. **G01** for measuring aspects, **G02** for optical aspects, **G05** for control and regulation aspects, **G06** for computers aspects, **G09** for simulation aspects.

Insert: The following new References/Informative references section.

References

Informative references

Attention is drawn to the following places, which may be of interest for search:

Optical aspects of weapon sights or aiming	G02B
--	-------------

Special rules of classification

Replace: The Special rules text with the revised text below.

Reference **G02B** is non-limiting in the subclass **F41G**. CPC will be updated/corrected once this inconsistency is resolved in IPC.

DATE: AUGUST 1, 2026

PROJECT RP12222

Though the title of subgroup [F41G 3/00](#) refers to laying means, elevating or traversing control systems for weapons are classified in [F41G 5/00](#).

Glossary of terms

Replace: The Glossary of terms table with the revised table below.

aiming	bringing a weapon to a direction differing from the sighting direction by corrections in order that the projectile may hit the target
laying	setting a weapon in the correct position for hitting a target
sighting	bringing into visual coincidence a direction defined by a so-called "sighting" device with the direction of a target

F41G 1/00

Definition statement

Replace: The Definition statement text with the revised text below.

Mechanical aspects of sighting devices, which are either fixedly or detachably mounted on weapons, i.e. iron sights, telescopic sights, periscopic sights as well as tube and bar sights. The group further includes means for protecting, adjusting and for testing of such mechanical sighting devices. This group further includes weapon mounted means for illuminating the sights or the target.

References

Limiting references

Replace: The Limiting references table with the revised table below.

Structural association of sighting devices with laser telemeters	F41G 3/065
Indirect laying of fire	F41G 3/16
Bombsights	F41G 3/24

DATE: AUGUST 1, 2026

PROJECT RP12222

Insert: The following new Informative references section.

Informative references

Attention is drawn to the following places, which may be of interest for search:

Aiming or laying means	F41G 3/00
Optical aiming or sighting devices	G02B 23/00
Optical systems or apparatus not provided for by any of the groups G02B 1/00 - G02B 26/00 , G02B 30/00	G02B 27/00
Shooting or aiming glasses	G02C 5/003

F41G 1/16

References

Delete: The entire Limiting references section.

Insert: The following new Informative references section.

Informative references

Attention is drawn to the following places, which may be of interest for search:

Tools for adjustment of sights	F41G 1/545
--------------------------------	----------------------------

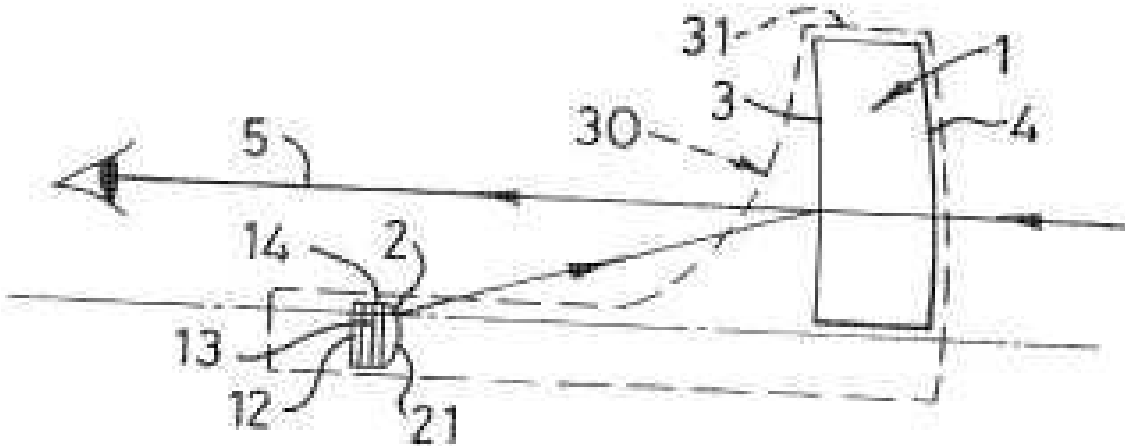
F41G 1/30

Definition statement

Insert: A second paragraph so that the entire Definition statement text appears as follows. Delete the patent number under the image. Image remains unchanged.

Sights with light source projecting the image of an aiming point or a reticle into the eye of the shooter either via a half-mirror or direct.

Illustrative example of subject matter classified in this place:



References

Delete: The entire Limiting references section.

Informative references

Replace: The Informative references table with the revised table below.

Illumination of the sights	F41G 1/345
Projected or displayed reticles in telescopic sights	F41G 1/3865
Periscopic sights for smallarms	F41G 1/40
Reflecting sights in general	G02B

Insert: The following new Special rules of classification section.

Special rules of classification

Reference [G02B](#) is non-limiting in the subgroup [F41G 1/30](#). CPC will be updated/corrected once this inconsistency is resolved in IPC.

DATE: AUGUST 1, 2026

PROJECT RP12222

F41G 1/32

Definition statement

Replace: The Definition statement text with the revised text below.

Daylight sights with active illumination of target.

References

Delete: The entire Limiting references section.

Informative references

Replace: The Informative references table with the revised table below.

Means for mounting sighting or aiming devices on firearms	F41G 11/001
Optical systems or apparatus not provided for by any of the groups G02B 1/00 - G02B 26/00, G02B 30/00	G02B 27/00

F41G 1/35

Insert: The following new Definition statement section.

Definition statement

This place covers:

Night sights combined with light source for illuminating the target, e.g. flash lights or laser sights.

DATE: AUGUST 1, 2026

PROJECT RP12222

References

Delete: The entire Limiting references section.

Insert: The following new Informative references section.

Informative references

Attention is drawn to the following places, which may be of interest for search:

Laser pointers	G02B 27/20
----------------	----------------------------

F41G 1/38

References

Insert: The following new Limiting references section.

Limiting references

This place does not cover:

Means for mounting sighting or aiming devices on firearms	F41G 11/001
---	-----------------------------

Insert: The following new Special rules section.

Special rules of classification

Reference [G02B](#) is non-limiting in the subgroup [F41G 1/38](#). CPC will be updated/corrected once this inconsistency is resolved in IPC.

F41G 1/387

Special rules of classification

Replace: The Special rules text with the revised text below.

This group is not in use.

CPC classification is to be given in group [F41G 11/001](#) or subgroups thereof.

DATE: AUGUST 1, 2026

PROJECT RP12222

F41G 1/40

Definition statement

Replace: The Definition statement text with the revised text below.

Sights enabling shooting around the corner.

References

Delete: The entire Limiting references section.

Informative references

Replace: The Informative references table with the revised table below.

Sighting devices adapted for indirect laying of fire using a TV-monitor	F41G 3/165
Periscopic sights in general	G02B

Insert: The following new Special rules section.

Special rules of classification

Reference [G02B](#) is non-limiting in the subgroup [F41G 1/40](#). CPC will be updated/corrected once this inconsistency is resolved in IPC.

F41G 1/41

References

Informative references

Replace: The text of the Informative references table so that the revised table appears as follows.

Means for mounting sighting or aiming devices on firearms	F41G 11/001
---	-------------

DATE: AUGUST 1, 2026

PROJECT RP12222

F41G 1/42

Definition statement

Replace: The Definition statement text with the revised text below.

Tubular sights or cylindrical sights, the cross section not being necessarily circular, functioning by the tunnel effect, void of any optical components.

References

Delete: The entire Limiting references section.

Insert: The following new Informative references section.

Informative references

Attention is drawn to the following places, which may be of interest for search:

Telescopic sights specially adapted for smallarms or ordnance	F41G 1/38
---	---------------------------

F41G 1/467

References

Delete: The entire Limiting references section.

Insert: The following new Informative references section.

Informative references

Attention is drawn to the following places, which may be of interest for search:

Telescopic sights specially adapted for smallarms or ordnance	F41G 1/38
Details of bows; Accessories for arc shooting	F41B 5/14

DATE: AUGUST 1, 2026

PROJECT RP12222

F41G 3/00**References*****Limiting references***

Replace: The Limiting references table with the revised table below.

Structural details of sighting devices	F41G 1/00
Sighting devices for lead-indicating or range-finding	F41G 1/473

Informative references

Replace: The Informative references table with the revised table below.

Elevating or traversing control systems for guns	F41G 5/00
Elevating or traversing control systems for vehicle-borne guns	F41G 5/14
Systems for guiding a craft to a correct firing position	F41G 9/002
Means for mounting sighting or aiming devices on firearms	F41G 11/001
Aircrafts of the remote-controlled vehicle type, i.e. RPV	B64C 39/024
Safety arrangements for inhibiting firing in a specified direction	F41A 17/08
Light- or radiation-emitting guns	F41A 33/02
Photo-electric hit-detector systems	F41J 5/02
Projectiles transmitting information to a remote location using optical or electronic means	F42B 12/365
Adaptation of rangefinders for combination with telescopes or binoculars	G01C 3/04
Projectile velocity measurements	G01P 3/665
Determining direction, distance or velocity by use of radio or other waves	G01S
Lidar systems specifically adapted for meteorological use	G01S 17/95

CPC NOTICE OF CHANGES 1913

DATE: AUGUST 1, 2026

PROJECT RP12222

Optical aiming or sighting devices	G02B 23/00
Computing or calculating; Counting	G06
Simulators for teaching or training purposes, for military purposes and tactics	G09B 9/003
Antennas	H01Q

Special rules of classification

Replace: The Special rules text with the revised text below.

References G01S, G06 and H01Q are non-limiting in the subgroup F41G 3/00. CPC will be updated/corrected once this inconsistency is resolved in IPC.

F41G 11/00

Insert: The following new References/Limiting references section.

References

Limiting references

This place does not cover:

Tools for adjustment of sights	F41G 1/545
--------------------------------	------------

Delete: The entire Special rules section.

DATE: AUGUST 1, 2026

PROJECT RP12222

F41G 11/001

Definition statement

Replace: The Definition statement text with the revised text below.

Means for mounting sighting or aiming devices on firearms, said devices being telescopes or other tubular optical, optronic, electronic or electric devices like cameras or lamps, e.g. flashlights.

References

Informative references:

Insert: A new table row so that the entire table appears as follows.

Mountings for rearsights	F41G 1/16
Miscellaneous attachments for smallarms; Accessories	F41C 27/00

Special rules of classification

Replace: The Special rules text with the revised text below.

If the mounting means are also adapted for accessories other than sighting or aiming devices and is specifically for smallarms, classification in the generic accessories group [F41C 27/00](#) should be considered.

CPC NOTICE OF CHANGES 1913

DATE: AUGUST 1, 2026

PROJECT RP12222

3. REVISION CONCORDANCE LIST (RCL)

Type*	<u>From CPC Symbol (existing)</u>	<u>To CPC Symbol(s)</u>
C	F41G 1/38	F41G 1/38, F41G 1/384, F41G 1/3841, F41G 1/3843, F41G 1/3845, F41G 1/3846, F41G 1/3847, F41G 1/3849, F41G 1/3851, F41G 1/3853, F41G 1/386, F41G 1/3861, F41G 1/3863, F41G 1/3864, F41G 1/3865
F	F41G 1/387	F41G 11/001, F41G 11/002, F41G 11/003, F41G 11/0032, F41G 11/00321, F41G 11/00323, F41G 11/00324, F41G 11/00325, F41G 11/00327, F41G 11/0034, F41G 11/00341, F41G 11/00342, F41G 11/003414, F41G 11/003416, F41G 11/00343, F41G 11/003431, F41G 11/003433, F41G 11/003437, F41G 11/00345, F41G 11/00347, F41G 11/00349, F41G 11/0038, F41G 11/00381, F41G 11/00384, F41G 11/00387, F41G 11/004, F41G 11/005, F41G 11/006, F41G 11/007, F41G 11/008
C	F41G 11/003	F41G 11/003, F41G 11/0032, F41G 11/00321, F41G 11/00323, F41G 11/00324, F41G 11/00325, F41G 11/00327, F41G 11/0034, F41G 11/00341, F41G 11/00342, F41G 11/003414, F41G 11/003416, F41G 11/00343, F41G 11/003431, F41G 11/003433, F41G 11/003437, F41G 11/00345, F41G 11/00347, F41G 11/00349, F41G 11/0038, F41G 11/00381, F41G 11/00384, F41G 11/00387

* C = entries with modified file scope where reclassification of documents from the entries is involved; Q = new entries which are firstly populated with documents via administrative transfers from deleted (D) entries. Afterwards, the transferred documents into the Q entry will either stay or be moved to more appropriate entries, as determined by intellectual reclassification; D = deleted entries; F = frozen entries will be deleted once reclassification of documents from the entries is completed.

NOTES:

- Only C, D, F, and Q type entries are included in the table above.
- When multiple symbols are included in the “To” column, do not use ranges of symbols.
- For administrative transfer of documents, the following text should be used: “< administrative transfer to XX>”, “<administrative transfer to XX and YY simultaneously>”, or “<administrative transfer to XX, YY, ...and ZZ simultaneously>” when administrative transfer of the same documents is to more than one place.
- Administrative transfer to main trunk groups is assumed to be the source allocation type, unless otherwise indicated.
- Administrative transfer to 2000/Y series groups is assumed to be “additional information”.
- If needed, instructions for allocation type should be indicated within the angle brackets using the abbreviations “ADD” or “INV”: <administrative transfer to XX ADD>, <administrative transfer to XX INV>, or < administrative transfer to XX ADD, YY INV, ... and ZZ ADD simultaneously>.
- In certain situations, the “D” entries of 2000-series or Y-series groups may not require a destination (“To”) symbol, however it is required to specify “<no transfer>” in the “To” column for such cases.
- RCL is not needed for finalisation projects.

CPC NOTICE OF CHANGES 1913

DATE: AUGUST 1, 2026

PROJECT RP12222

4. CHANGES TO THE CPC-TO-IPC CONCORDANCE LIST (CICL)

<u>CPC</u>	<u>IPC</u>	<u>Action*</u>
F41G 1/384	F41G 1/38	NEW
F41G 1/3841	F41G 1/38	NEW
F41G 1/3843	F41G 1/38	NEW
F41G 1/3845	F41G 1/38	NEW
F41G 1/3846	F41G 1/38	NEW
F41G 1/3847	F41G 1/38	NEW
F41G 1/3849	F41G 1/38	NEW
F41G 1/3851	F41G 1/38	NEW
F41G 1/3853	F41G 1/38	NEW
F41G 1/386	F41G 1/38	NEW
F41G 1/3861	F41G 1/38	NEW
F41G 1/3863	F41G 1/38	NEW
F41G 1/3864	F41G 1/38	NEW
F41G 1/3865	F41G 1/38	NEW
F41G 11/0032	F41G 11/00	NEW
F41G 11/00321	F41G 11/00	NEW
F41G 11/00323	F41G 11/00	NEW
F41G 11/00324	F41G 11/00	NEW
F41G 11/00325	F41G 11/00	NEW
F41G 11/00327	F41G 11/00	NEW
F41G 11/0034	F41G 11/00	NEW
F41G 11/00341	F41G 11/00	NEW
F41G 11/003412	F41G 11/00	NEW
F41G 11/003414	F41G 11/00	NEW
F41G 11/003416	F41G 11/00	NEW
F41G 11/00343	F41G 11/00	NEW
F41G 11/003431	F41G 11/00	NEW
F41G 11/003433	F41G 11/00	NEW
F41G 11/003437	F41G 11/00	NEW
F41G 11/00345	F41G 11/00	NEW
F41G 11/00347	F41G 11/00	NEW
F41G 11/00349	F41G 11/00	NEW
F41G 11/0038	F41G 11/00	NEW
F41G 11/00381	F41G 11/00	NEW
F41G 11/00384	F41G 11/00	NEW
F41G 11/00387	F41G 11/00	NEW

*Action column:

- For an (N) or (Q) entry, provide an IPC symbol and complete the Action column with “NEW.”
- For an existing CPC main trunk entry or indexing entry where the existing IPC symbol needs to be changed, provide an updated IPC symbol and complete the Action column with “UPDATED.”
- For a (D) CPC entry or indexing entry complete the Action column with “DELETE.” IPC symbol does not need to be included in the IPC column.

CPC NOTICE OF CHANGES 1913

DATE: AUGUST 1, 2026

PROJECT RP12222

- For an (N) 2000 series CPC entry which is positioned within the main trunk scheme (breakdown code) provide an IPC symbol and complete the action column with “NEW”.
- For an (N) 2000 series CPC entry positioned at the end of the CPC scheme (orthogonal code), with no IPC equivalent, complete the IPC column with “CPCONLY” and complete the action column with “NEW”.

NOTES:

- F symbols are not included in the CICL table above.
- T and M symbols are not included in the CICL table above unless a change to the existing IPC is desired.