

EUROPEAN PATENT OFFICE
U.S. PATENT AND TRADEMARK OFFICE

CPC NOTICE OF CHANGES 1899

DATE: MAY 1, 2026

PROJECT MP12511

The following classification changes will be effected by this Notice of Changes:

<u>Action</u>	<u>Subclass</u>	<u>Group(s)</u>
SCHEME:		
Titles Changed:	A47C	1/023, 1/024, 1/025, 1/026, 1/029, 1/03, 1/035, 1/04, 1/13
	A47C	3/025, 3/026, 3/027, 3/04, 3/12, 3/34
	A47C	7/14, 7/44, 7/60, 7/74
	A47C	9/007, 9/022, 9/06
	A47C	13/005
	A47C	15/002, 15/006
	A47C	17/207, 17/213, 17/22, 17/23, 17/48
	A47C	21/006, 21/024, 21/06
	A47C	23/007, 23/06
	A47C	27/002, 27/06, 27/20
	A47C	31/08, 31/11
Warnings Modified:	A47C	SUBCLASS
Notes Modified:	A47C	17/00-27/00
DEFINITIONS:		
Definitions New:	A47C	1/029, 1/035, 1/13
	A47C	3/26, 3/34
	A47C	4/03
	A47C	7/60
	A47C	9/022
	A47C	13/005
	A47C	15/006
	A47C	21/024
	A47C	31/11
Definitions Modified:	A47C	1/022, 1/023, 1/024, 1/028, 1/03, 1/032, 1/036, 1/04, 1/14
	A47C	3/04, 3/12, 3/14
	A47C	5/005, 5/02, 5/14
	A47C	7/002, 7/021, 7/14, 7/402, 7/405, 7/407, 7/42, 7/44, 7/46, 7/48, 7/54, 7/56, 7/624, 7/64, 7/66, 7/664, 7/68
	A47C	9/002, 9/007, 9/04, 9/08
	A47C	12/00
	A47C	13/00
	A47C	15/002, 15/004
	A47C	16/005, 16/02

CPC NOTICE OF CHANGES 1899

DATE: MAY 1, 2026

PROJECT MP12511

<u>Action</u>	<u>Subclass</u>	<u>Group(s)</u>
	A47C	17/045, 17/13, 17/14, 17/16, 17/22, 17/52, 17/84
	A47C	19/005, 19/02
	A47C	21/006, 21/022, 21/026, 21/028, 21/06
	A47C	23/002, 23/005, 23/007, 23/02, 23/04, 23/06, 23/12
	A47C	27/00, 27/002, 27/04
	A47C	31/002, 31/005, 31/10

No other subclasses/groups are impacted by this Notice of Changes.

This Notice of Changes includes the following *[Check the ones included]:*

1. CLASSIFICATION SCHEME CHANGES

- A. New, Modified or Deleted Group(s)
- B. New, Modified or Deleted Warning(s)
- C. New, Modified or Deleted Note(s)
- D. New, Modified or Deleted Guidance Heading(s)

2. DEFINITIONS

- A. New or Modified Definitions (Full definition template)
- B. Modified or Deleted Definitions (Definitions Quick Fix)

3. REVISION CONCORDANCE LIST (RCL)

4. CHANGES TO THE CPC-TO-IPC CONCORDANCE LIST (CICL)

5. CHANGES TO THE CROSS-REFERENCE LIST (CRL)

CPC NOTICE OF CHANGES 1899

DATE: MAY 1, 2026

PROJECT MP12511

1. CLASSIFICATION SCHEME CHANGES

A. New, Modified or Deleted Group(s)

SUBCLASS A47C - CHAIRS; SOFAS; BEDS

Type*	Symbol	Indent Level Number of dots (e.g. 0, 1, 2)	Title “CPC only” text should normally be enclosed in {curly brackets}**	Transferred to#
M	A47C1/023	3	the parts being horizontally-adjustable seats	
M	A47C1/024	3	the parts, being the back-rest, or the back-rest and seat unit, having adjustable inclination	
M	A47C1/025	4	by means of a rack-and-pinion or like gearing mechanism	
M	A47C1/026	4	by means of a peg-and-notch or pawl-and-ratchet mechanism	
M	A47C1/029	4	by changing the length or the inclination of the legs	
M	A47C1/03	3	the parts being arm-rests	
M	A47C1/035	4	in combination with movably-coupled seat and back-rest	
M	A47C1/04	1	Hairdressers' or similar chairs	
M	A47C1/13	2	Indicators; Devices for reserving or the like	
M	A47C3/025	2	with seat, or seat and back-rest unit, elastically mounted in a rigid frame	
M	A47C3/026	3	with a central column, e.g. rocking office chairs; Tilting chairs	

CPC NOTICE OF CHANGES 1899

DATE: MAY 1, 2026

PROJECT MP12511

<u>Type*</u>	<u>Symbol</u>	<u>Indent Level Number of dots (e.g. 0, 1, 2)</u>	<u>Title</u> <u>“CPC only” text should normally be enclosed in {curly brackets}**</u>	<u>Transferred to#</u>
M	A47C3/027	3	with curved rocking members between seat and frame	
M	A47C3/04	1	Stackable chairs or nesting chairs	
M	A47C3/12	1	with shell-shaped seat and back-rest unit, e.g. having arm-rests	
M	A47C3/34	2	with pins coacting with holes	
M	A47C7/14	2	of adjustable shape; elastically mounted {; adaptable to a user contour or ergonomic seating positions (movably-coupled seat and backrests with elastic adjustment means A47C1/03261)};	
M	A47C7/44	3	with elastically-mounted frame	
M	A47C7/60	2	Use of locks or ledges for limiting the seat movement	
M	A47C7/74	3	for ventilation, heating or cooling	
M	A47C9/007	1	{High stools, e.g. bar stools}	
M	A47C9/022	2	{movably mounted on a working-table or the like}	
M	A47C9/06	1	Wall stools	
M	A47C13/005	1	{Modular seating}	
M	A47C15/002	1	{Corner seating furniture, e.g. corner sofas}	

CPC NOTICE OF CHANGES 1899

DATE: MAY 1, 2026

PROJECT MP12511

<u>Type*</u>	<u>Symbol</u>	<u>Indent Level Number of dots (e.g. 0, 1, 2)</u>	<u>Title</u> “CPC only” text should normally be enclosed in {curly brackets}**	<u>Transferred to#</u>
M	A47C15/006	2	{Floating seats}	
M	A47C17/207	4	with seat cushion consisting of superposed parts, at least one lower part being used to form part of the surface	
M	A47C17/213	4	the surface, when used for lying down, consisting of one side of the seat frame and the back-rest frame	
M	A47C17/22	2	with means for uncovering a previously hidden mattress or similar bed part	
M	A47C17/23	3	the lying down surface partly consisting of one side of the seat	
M	A47C17/48	2	characterised by two or more relatively-movable parts	
M	A47C21/006	1	{Oscillating, balancing or vibrating mechanisms connected to the bedstead}	
M	A47C21/024	3	{for holding bed covers above the body of the user}	
M	A47C21/06	1	Mattress underlays	
M	A47C23/007	1	{Edge stiffeners}	
M	A47C23/06	1	using wooden springs, e.g. of slat type	
M	A47C27/002	1	{Mattress or cushion tickings or covers}	
M	A47C27/06	2	Spring inlays or spring units therefor	

CPC NOTICE OF CHANGES 1899

DATE: MAY 1, 2026

PROJECT MP12511

<u>Type*</u>	<u>Symbol</u>	<u>Indent Level Number of dots (e.g. 0, 1, 2)</u>	<u>Title</u> <u>“CPC only” text should normally be enclosed in {curly brackets}**</u>	<u>Transferred to#</u>
M	A47C27/20	2	with springs moulded in, or situated in openings in foamed material	
M	A47C31/08	1	Mattress hand-straps	
M	A47C31/11	2	for chairs {(for headrests only A47C7/386)}	

*N = new entries where reclassification into entries is involved; C = entries with modified file scope where reclassification of documents from the entries is involved; Q = new entries which are firstly populated with documents via administrative transfers from deleted (D) entries. Afterwards, the transferred documents into the Q entry will either stay or be moved to more appropriate entries, as determined by intellectual reclassification; T = existing entries with enlarged file scope, which receive documents from C or D entries, e.g. when a limiting reference is removed from the entry title; M = entries with no change to the file scope (no reclassification); D = deleted entries; F = frozen entries will be deleted once reclassification of documents from the entries is completed; U = entries that are unchanged.

NOTES:

- **No {curly brackets} are used for titles in CPC only subclasses, e.g. C12Y, A23Y; 2000 series symbol titles of groups found at the end of schemes (orthogonal codes); or the Y section titles. The {curly brackets} are used for 2000 series symbol titles found interspersed throughout the main trunk schemes (breakdown codes).
- U groups: it is obligatory to display the required “anchor” symbol (U group), i.e. the entry immediately preceding a new group or an array of new groups to be created (in case new groups are not clearly subgroups of C-type groups). Always include the symbol, indent level and title of the U group in the table above.
- All entry types should be included in the scheme changes table above for better understanding of the overall scheme change picture. Symbol, indent level, and title are required for all types.
- “Transferred to” column must be completed for all C, D, F, and Q type entries. F groups will be deleted once reclassification is completed.
- When multiple symbols are included in the “Transferred to” column, avoid using ranges of symbols in order to be as precise as possible.
- For administrative transfer of documents, the following text should be used: “<administrative transfer to XX>”, “<administrative transfer to XX and YY simultaneously>”, or “<administrative transfer to XX, YY, ...and ZZ simultaneously>” when administrative transfer of the same documents is to more than one place.
- Administrative transfer to main trunk groups is assumed to be the source allocation type, unless otherwise indicated.
- Administrative transfer to 2000/Y series groups is assumed to be “additional information”.
- If needed, instructions for allocation type should be indicated within the angle brackets using the abbreviations “ADD” or “INV”: <administrative transfer to XX ADD>, <administrative transfer to XX INV>, or <administrative transfer to XX ADD, YY INV, ... and ZZ ADD simultaneously>.
- In certain situations, the “D” entries of 2000-series or Y-series groups may not require a destination (“Transferred to”) symbol, however it is required to specify “<no transfer>” in the “Transferred to” column for such cases.

CPC NOTICE OF CHANGES 1899

DATE: MAY 1, 2026

PROJECT MP12511

- For finalization projects, the deleted “F” symbols should have <no transfer> in the “Transferred to” column.
- For more details about the types of scheme change, see CPC Guide.

CPC NOTICE OF CHANGES 1899

DATE: MAY 1, 2026

PROJECT MP12511

B. New, Modified or Deleted Warning notice(s)

SUBCLASS A47C - CHAIRS; SOFAS; BEDS

<u>Type*</u>	<u>Location</u>	<u>Old Warning notice</u>	<u>New/Modified Warning</u>
M	A47C	<p>1. The following IPC groups are not in the CPC scheme. The subject matter for these IPC groups is classified in the following CPC groups:</p> <p>A47C 23/053 covered by A47C 23/05, A47C 23/0507, A47C 23/0515</p> <p>2. {In this subclass non-limiting references (in the sense of paragraph 39 of the Guide to the IPC) may still be displayed in the scheme.}</p>	<p>The following IPC groups are not in the CPC scheme. The subject matter for these IPC groups is classified in the following CPC groups:</p> <p>A47C 23/053 covered by A47C 23/05, A47C 23/0507, A47C 23/0515</p>

*N = new warning, M = modified warning, D = deleted warning

NOTE: The "Location" column only requires the symbol PRIOR to the location of the warning. No further directions such as "before" or "after" are required.

CPC NOTICE OF CHANGES 1899

DATE: MAY 1, 2026

PROJECT MP12511

C. New, Modified or Deleted Note(s)

SUBCLASS A47C - CHAIRS; SOFAS; BEDS

<u>Type*</u>	<u>Location</u>	<u>Old Note</u>	<u>New/Modified Note</u>
M	A47C 17/00- A47C 27/00	In groups A47C 17/00 - A47C 27/00, the following terms or expressions are used with the meaning indicated: <ul style="list-style-type: none"> • "bedstead" is used only for the frame of a bed; • "bed" includes bedsteads combined with spring mattresses, stuffed mattresses, or similar means to enable the lying of persons thereon; • "spring mattresses" do not include any stuffed material; 	In groups A47C 17/00 - A47C 27/00, the following terms or expressions are used with the meaning indicated: <ul style="list-style-type: none"> • "bedstead" is used only for the frame of a bed; • "bed" includes bedsteads combined with spring mattresses, stuffed mattresses or similar means to enable the lying of persons thereon; • "stuffed mattresses" may include metal springs; • {"spring mattresses" do not include any stuffed material.}

*N = new note, M = modified note, D = deleted note

NOTE: The "Location" column only requires the symbol PRIOR to the location of the note. No further directions such as "before" or "after" are required.

DATE: MAY 1, 2026

PROJECT MP12511

2. A. DEFINITIONS (new)

A47C 1/029

References

Informative references

Attention is drawn to the following places, which may be of interest for search:

Varying height of the seat by inclining the legs	A47C 3/36
--	---------------------------

A47C 1/035

Definition statement

This place covers:

Seat and back-rest being movably coupled in such a way that the extension mechanism of the foot-rest is actuated at least by the relative movements of the seat and back-rest.

A47C 1/13

References

Informative references

Attention is drawn to the following places, which may be of interest for search:

Coin-freed apparatus for seats or footstools	G07F 17/08
--	----------------------------

DATE: MAY 1, 2026

PROJECT MP12511

A47C 3/26

Definition statement

This place covers:

Chairs or stools with vertically adjustable seats having vertically extending toothed rack, e.g. peg-and-notch mechanisms.

A47C 3/34

Definition statement

This place covers:

Chairs or stools with vertically adjustable seats having pins coacting with holes or bolt-and-nut adjustment means.

A47C 4/03

Definition statement

This place covers:

Non-upholstered dismountable chairs, e.g. made of metal, plastic or wood.

A47C 7/60

References

Informative references

Attention is drawn to the following places, which may be of interest for search:

Coin-freed apparatus for seats or footstools	G07F 17/08
--	----------------------------

DATE: MAY 1, 2026

PROJECT MP12511

A47C 9/022

References

Informative references

Attention is drawn to the following places, which may be of interest for search:

Hairdressers' or similar chairs with auxiliary seats	A47C 1/08
--	---------------------------

A47C 13/005

References

Informative references

Attention is drawn to the following places, which may be of interest for search:

Separate theatre, auditorium or similar chairs, connectible together into a row	A47C 1/124
---	----------------------------

A47C 15/006

References

Application-oriented references

Examples of places where the subject matter of this place is covered when specially adapted, used for a particular purpose, or incorporated in a larger system:

Floatable vessel furniture for life-saving purposes	B63C 9/30
---	---------------------------

DATE: MAY 1, 2026

PROJECT MP12511

A47C 21/024

References

Application-oriented references

Examples of places where the subject matter of this place is covered when specially adapted, used for a particular purpose, or incorporated in a larger system:

Bed-clothes supports to alleviate the weight of the bed-clothes on the patient	A61G 7/0501
--	-----------------------------

A47C 31/11

References

Limiting references

This place does not cover:

Detachable covers for headrests	A47C 7/386
---------------------------------	----------------------------

Application-oriented references

Examples of places where the subject matter of this place is covered when specially adapted, used for a particular purpose, or incorporated in a larger system:

Removable protective coverings for vehicle seats	B60N 2/60
--	---------------------------

2. A. DEFINITIONS (modified)

A47C 1/022

Definition statement

Replace: The Definition statement text with the revised text below.

Chairs having independently-adjustable supporting parts, e.g. having independently-adjustable back-rest, back-rest and seat unit or arm-rest.

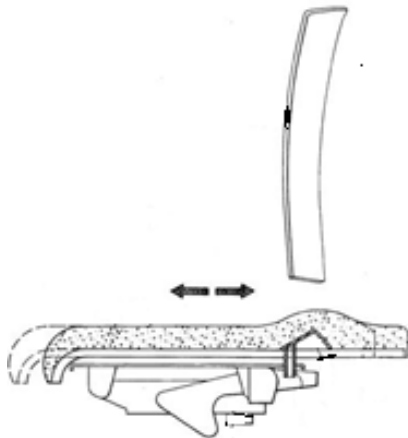
A47C 1/023

Definition statement

Replace: Both the Definition statement and image with the revisions below.

Seats having seating depth adjustment by horizontal adjustment of the seat or by horizontal movement of the back-rest.

Illustrative example of subject matter classified in this place:



References

Application-oriented references

Replace: The text of the second row of the Application-oriented table so that the table appears as follows.

CPC NOTICE OF CHANGES 1899

DATE: MAY 1, 2026

PROJECT MP12511

Chairs for disabled persons having adjustable depth seats	A61G 5/1064
Vehicle seats with adjustable seat cushion length	B60N 2/0284

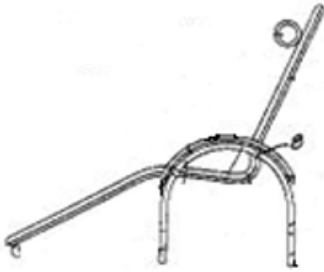
A47C 1/024

Definition statement

Replace: The Definition text with the revised text and image below. The second image is unchanged but is newly labeled.

Illustrative examples of subject matter classified in this place:

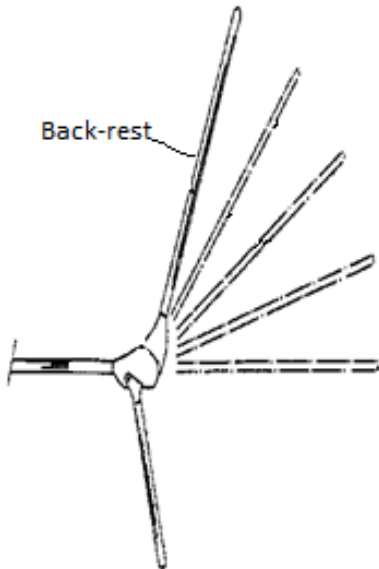
a.



b.

DATE: MAY 1, 2026

PROJECT MP12511



References

Application-oriented references

Replace: The text of the second row of the Application-oriented table so that the table appears as follows.

Adjustable children's chairs	A47D 1/002
Vehicle seats with adjustable back-rest	B60N 2/22

Informative references

Replace: The Informative references table with the revised table below.

Chairs having movably-coupled adjustable seat and back-rest	A47C 1/032
Chairs having adjustable leg-rest or foot-rest in combination with movable back-rest or back-rest and seat unit	A47C 1/0342
Rocking chairs with central column and with back-rest and seat unit elastically mounted in a rigid frame	A47C 3/026

DATE: MAY 1, 2026

PROJECT MP12511

Chairs with elastically-mounted back-rest or back-rest and seat unit in the base frame	A47C 7/44
Seating furniture convertible to bed by tilting or pivoting the back-rest	A47C 17/16

Glossary of terms

Replace: The Glossary of terms table with the revised table below.

back-rest and seat unit	back-rest and a seat permanently connected to each other
-------------------------	--

A47C 1/028

Definition statement

Insert: A period at the end of the Definition statement text so that the entire text appears as follows.

Chairs convertible from a straight chair into an easy chair, e.g. by inverting or tilting seat and back-rest in the base frame or by overturning the whole chair.

References

Application-oriented references

Insert: A new row into the Application-oriented table so that the table appears as follows.

Children's chairs convertible from high chair to low chair by reversing	A47D 1/04
Standing-up or sitting-down aids	A61G 5/14

DATE: MAY 1, 2026

PROJECT MP12511

Informative references

Delete: The second row of the Informative references table so that the remaining table appears as follows.

Chair or stool bases for uneven surfaces	A47C 7/008
--	----------------------------

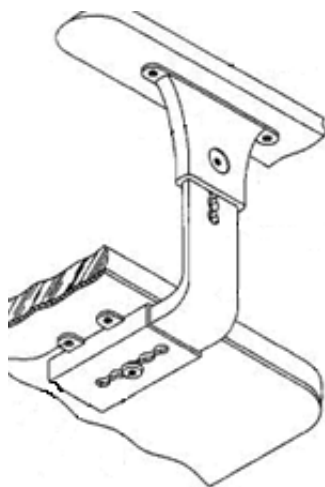
A47C 1/03

Definition statement

Replace: The Definition statement text with the revised text below. Image remains unchanged.

Adjustable arm-rests adaptable to suitable arm position or to the size of the user.

Illustrative example of subject matter classified in this place:



References

Delete: The entire Limiting references section.

Application-oriented references

Replace: The Application-oriented table with the revised table below.

CPC NOTICE OF CHANGES 1899

DATE: MAY 1, 2026

PROJECT MP12511

Arm-rests for disabled persons' chairs	A61G 5/125
Arm-rests for vehicles seats	B60N 2/75

Informative references

Replace: The Informative references table with the revised table below.

Arm supports for non-reclining and non-easy chairs	A47C 7/54
Chairs with arm-rest tables	A47C 7/68
Sofas convertible to bed by tilting or extending the arm-rests	A47C 17/12
Sofas convertible to bed by tilting or pivoting a back-rest with tilting or pivoting the arm-rest	A47C 17/18

[A47C 1/032](#)

Definition statement

Replace: The Definition statement text and images with the revisions below.

Chairs having coupled, simultaneously movable, seat and back-rest.

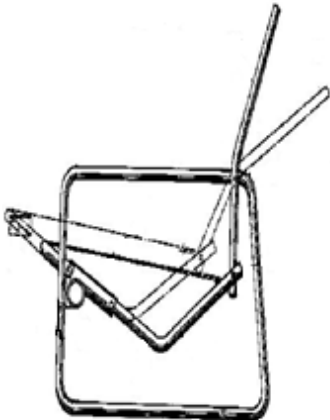
Illustrative examples of subject matter classified in this place:

- 1.

CPC NOTICE OF CHANGES 1899

DATE: MAY 1, 2026

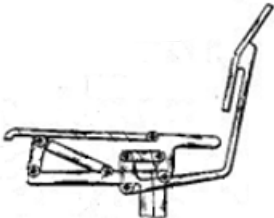
PROJECT MP12511



2a.



2b.



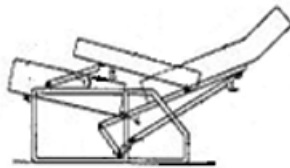
3a.

DATE: MAY 1, 2026

PROJECT MP12511



3b.



References

Limiting references

Replace: The text of the Limiting references table so that the table appears as follows.

Chairs having adjustable leg-rest or foot-rest connected to movable-coupled seat and back-rest	A47C 1/035
--	----------------------------

Application-oriented references

Replace: The text of the second row of the Application-oriented table so that the entire table appears as follows.

Adjustable children's chairs	A47D 1/002
Vehicle seats with adjustable back-rest	B60N 2/22

DATE: MAY 1, 2026

PROJECT MP12511

Informative references

Replace: The Informative references table with the revised table below.

Chairs having independently-adjustable supporting parts, e.g. having independently-adjustable back-rest, back-rest and seat unit	A47C 1/022
Rocking office chairs with central column having seat or seat and back-rest unit elastically or pivotally mounted in a rigid base frame	A47C 3/026
Chairs with elastically-mounted back-rest or back-rest and seat unit in the base frame	A47C 7/44

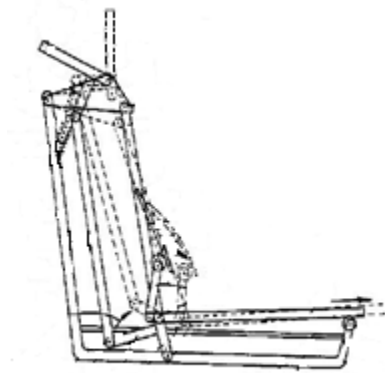
A47C 1/036

Definition statement

Replace: The Definition statement text and image with the revisions below.

Chairs having head-rest coupled to other movable parts of the chair, e.g. movable back-rest or seat, wherein their movement is simultaneous.

Illustrative example of subject matter classified in this place:



DATE: MAY 1, 2026

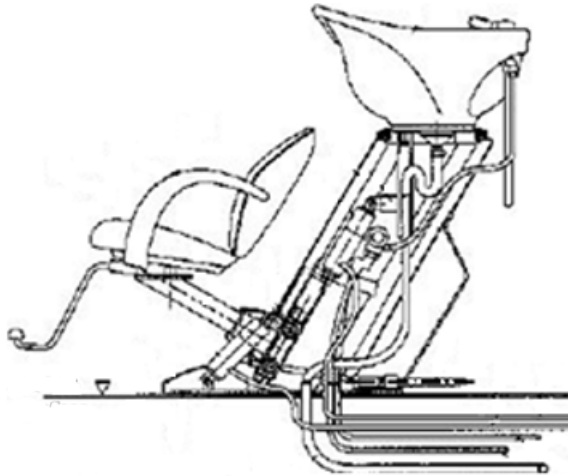
PROJECT MP12511

A47C 1/04

Definition statement

Replace: The Definition statement text and image with the revisions below.

Illustrative example of subject matter classified in this place:



A47C 1/14

Definition statement

Replace: The Definition statement text and images with the revisions below.

Chairs designed for relaxation and outdoor use, e.g. beach chairs, relaxation chairs, sun-tanning chairs or chaise lounges.

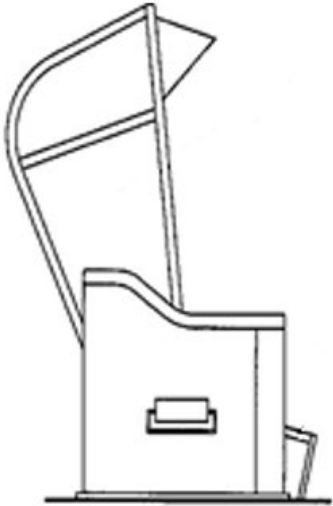
Illustrative examples of subject matter classified in this place:

- 1.

CPC NOTICE OF CHANGES 1899

DATE: MAY 1, 2026

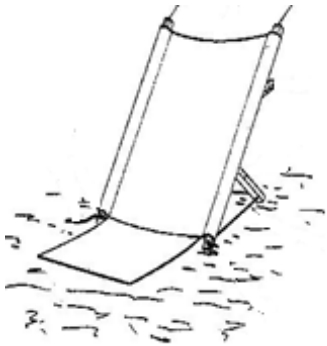
PROJECT MP12511



2.



3.



DATE: MAY 1, 2026

PROJECT MP12511

References

Informative references

Replace: The text of the third Informative references table row so that the entire table appears as follows.

Chairs with means to protect against weather	A47C 7/66
Camp, travelling or sports stools	A47C 9/10
Stand-alone back-rests without connected seat	A47C 16/005
Travelling and camp beds	A47C 17/64

A47C 3/04

Definition statement

Replace: The Definition text with the revised text below. The images remain unchanged but are newly labeled.

Illustrative examples of subject matter classified in this place:

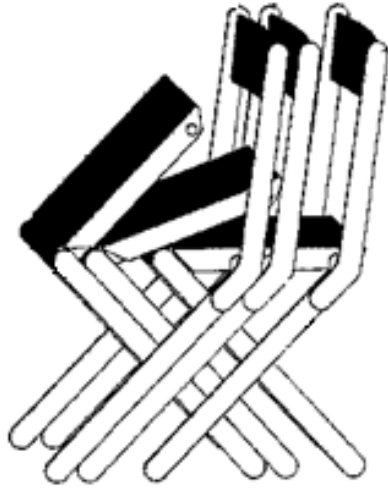
1.



2.

DATE: MAY 1, 2026

PROJECT MP12511



A47C 3/12

Definition statement

Replace: The Definition text with the revised text below. The image remains unchanged.

Chairs having a back-rest and seat unit made of one continuous element, e.g. plastic shell.

Illustrative example of subject matter classified in this place:



DATE: MAY 1, 2026

PROJECT MP12511

A47C 3/14

Definition statement

Replace: The Definition text with the revised text below. The image remains unchanged.

Chairs of asymmetrical shape with respect to a vertical plane.

Illustrative example of subject matter classified in this place:



A47C 5/005

Definition statement

Replace: The Definition statement text and images with the revisions below.

Chairs of two-dimensional pliable materials, e.g. paper, cardboard or plastic sheet materials.

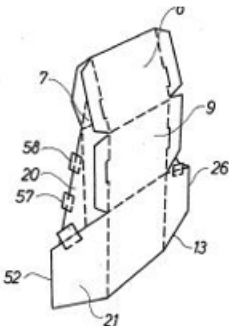
Illustrative example of subject matter classified in this place:

a.

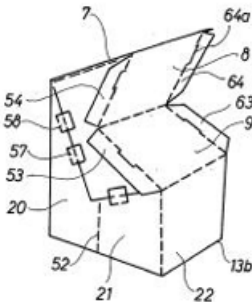
CPC NOTICE OF CHANGES 1899

DATE: MAY 1, 2026

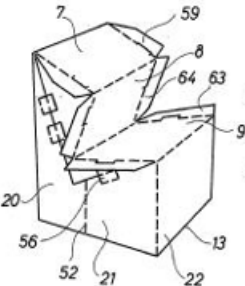
PROJECT MP12511



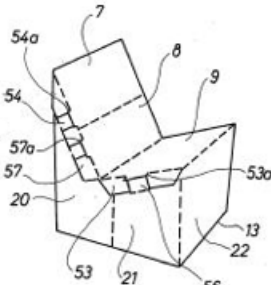
b.



c.



d.



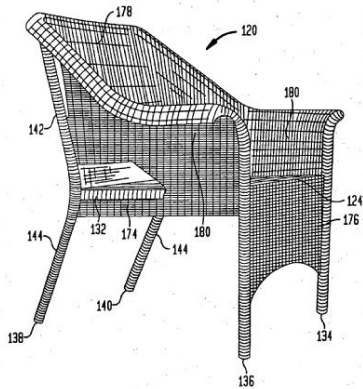
A47C 5/02

Definition statement

Replace: The Definition text with the revised text below. The image remains unchanged but patent number under image is deleted.

Chairs made of woven material, e.g. basket chairs.

Illustrative example of subject matter classified in this place:



A47C 5/14

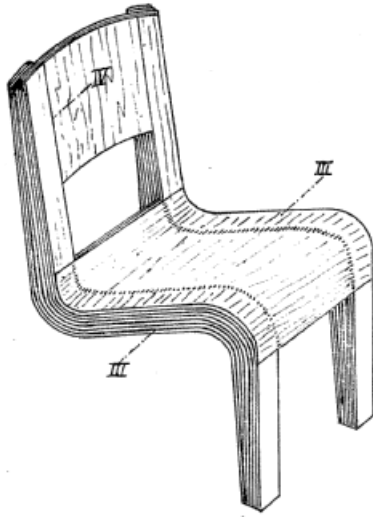
Definition statement

Replace: The Definition text and image with the revisions below.

Illustrative example of subject matter classified in this place:

DATE: MAY 1, 2026

PROJECT MP12511



References

Informative references

Replace: The text of the Informative references table so that the entire table appears as follows.

Seats made of wooden, plastic or metal sheet material; Panel seats	A47C 7/16
--	---------------------------

[A47C 7/002](#)

Definition statement

Replace: The Definition text with the revised text below. The images remain unchanged but are newly labeled.

Chair or stool bases at the ground level, e.g. legs, castors or pedestals.

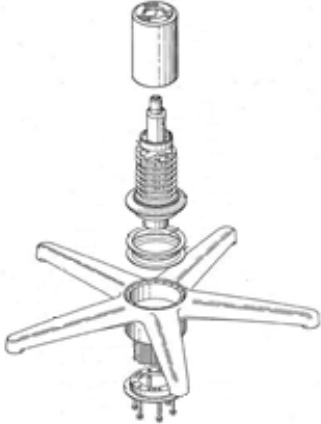
Illustrative examples of subject matter classified in this place:

- 1.

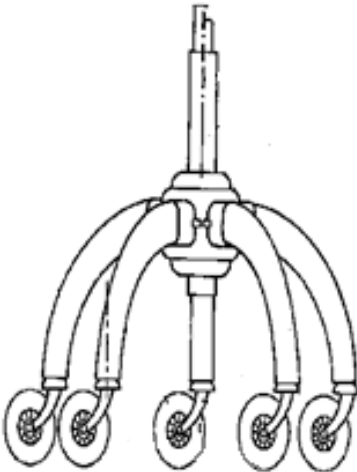
CPC NOTICE OF CHANGES 1899

DATE: MAY 1, 2026

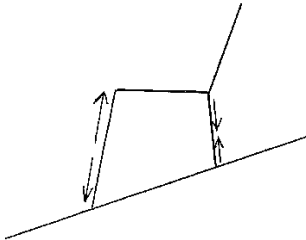
PROJECT MP12511



2.



3.



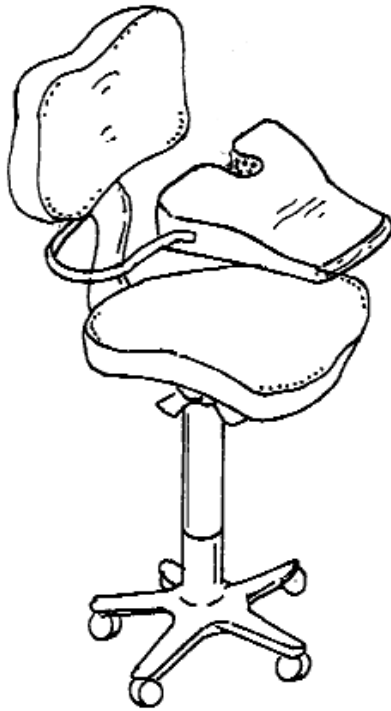
A47C 7/021

Definition statement

Replace: The Definition text with the revised text below. The images remain unchanged but are newly labeled.

Illustrative examples of subject matter classified in this place:

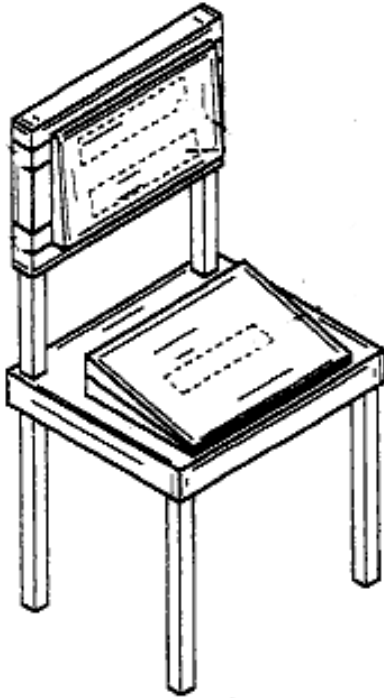
1.



2.

DATE: MAY 1, 2026

PROJECT MP12511



A47C 7/14

References

Limiting references

Replace: The Limiting references table with the revised table below.

Movably-coupled seat and back-rests with elastic adjustment means	A47C 1/03261
---	------------------------------

Insert: The following new Informative references section.

Informative references

Attention is drawn to the following places, which may be of interest for search:

Elastically-mounted back-rests or back-rest and seat units in the base frame	A47C 7/44
--	---------------------------

DATE: MAY 1, 2026

PROJECT MP12511

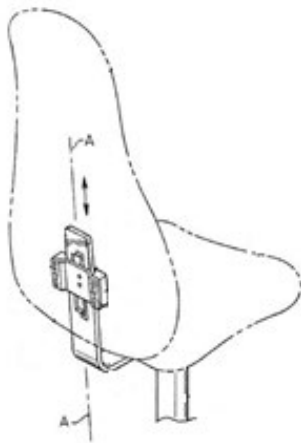
A47C 7/402

Definition statement

Replace: The Definition statement text with the revised text below. Image remains unchanged.

Chairs with height adjustable back-rest.

Illustrative example of subject matter classified in this place:



A47C 7/405

Definition statement

Replace: The Definition statement text with the revised text below. Image remains unchanged.

Chairs with double or split back-rest.

Illustrative example of subject matter classified in this place:

DATE: MAY 1, 2026

PROJECT MP12511



A47C 7/407

Definition statement

Replace: The Definition text and images with the revisions below.

Chairs with collapsible back-rest.

Illustrative example of subject matter classified in this place:

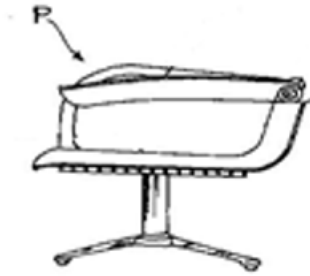
1a.



1b.

DATE: MAY 1, 2026

PROJECT MP12511



A47C 7/42

Definition statement

Replace: The Definition text with the revised text below. The images remain unchanged but are newly labeled.

Chairs having detachable or loose back-rest, e.g. portable.

Illustrative examples of subject matter classified in this place:

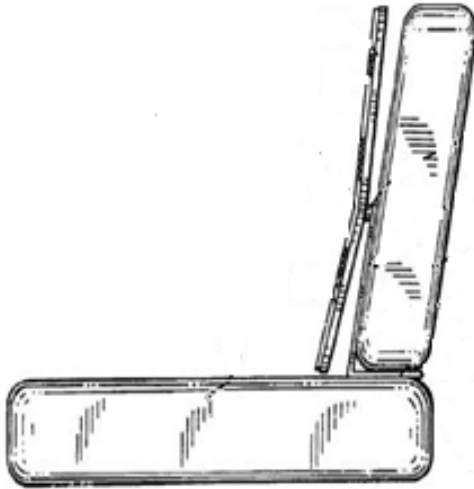
1.



2.

DATE: MAY 1, 2026

PROJECT MP12511



References

Application-oriented references

Replace: The text of the Application-oriented references table so that the entire table appears as follows.

Back-rest for disabled persons chairs	A61G 5/122
---------------------------------------	----------------------------

[A47C 7/44](#)

Definition statement

Replace: The Definition text and images with the revisions below.

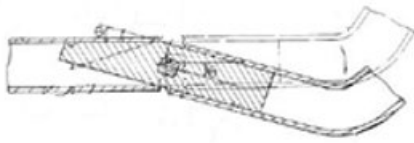
Supports for the head or back with elastically-mounted back-rest or back-rest and seat unit in the base frame.

Illustrative example of subject matter classified in this place:

1a. Seat with elastically mounted back-rest

DATE: MAY 1, 2026

PROJECT MP12511



1b. Chair including seat with elastically mounted back-rest



References

Informative references

Replace: “backrest” with “back-rest” in the first row of the Informative references table so that the entire table appears as follows.

Chairs having movable-coupled seat and back-rest characterised by elastic means	A47C 1/03261
Rocking chairs having elastic frames	A47C 3/021
Rocking chairs with seat, or with seat and back-rest unit, elastically mounted in a rigid frame	A47C 3/025

A47C 7/46

Definition statement

Replace: The Definition text with the revised text below. The images remain unchanged but are newly labeled.

Chairs with lower back supports, e.g. adjustable lumbar support.

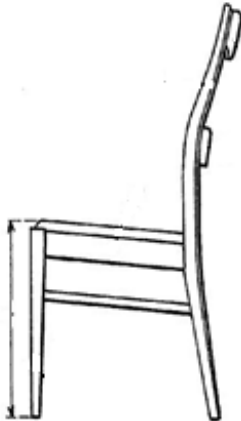
Illustrative examples of subject matter classified in this place:

CPC NOTICE OF CHANGES 1899

DATE: MAY 1, 2026

PROJECT MP12511

1.



2.



3.

DATE: MAY 1, 2026

PROJECT MP12511



A47C 7/48

Definition statement

Replace: The Definition text and images with the revisions below. The first image remains the same but is newly labeled.

Chairs having a freely-rotatable and non-lockable back-rest.

Illustrative examples of subject matter classified in this place:

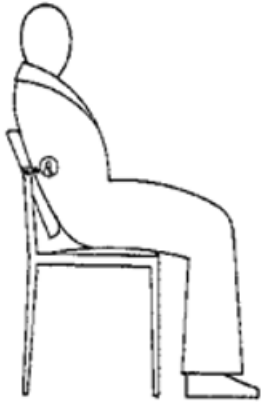
1.



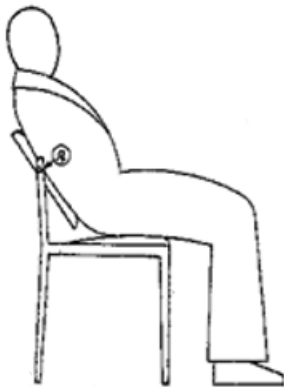
2a.

DATE: MAY 1, 2026

PROJECT MP12511



2b.



A47C 7/54

Definition statement

Replace: The Definition text and images with the revisions below. The first image remains the same but is newly labeled.

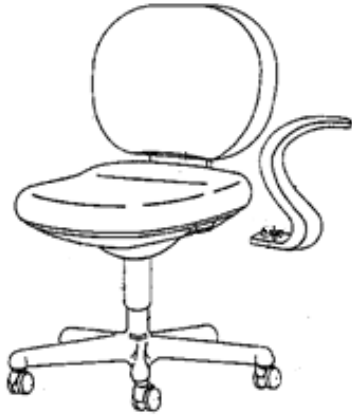
Chairs having non-adjustable support arm-rests, e.g. movable to inoperative position or of detachable type.

Illustrative examples of subject matter classified in this place:

1.

DATE: MAY 1, 2026

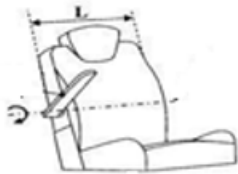
PROJECT MP12511



2a.



2b.



References

Application-oriented references

Replace: The text of both table rows so that the entire table appears as follows.

Arm-rest for disabled persons chairs	A61G 5/125
Arm-rest for vehicles seats	B60N 2/75

DATE: MAY 1, 2026

PROJECT MP12511

Informative references

Replace: The text of the first three table rows so that the entire table appears as follows.

Chairs with arm-rest tables	A47C 7/68
Sofas convertible to bed by tilting or extending the arm-rests	A47C 17/12
Sofa convertible to bed by tilting or pivoting a back-rest with tilting or pivoting the arm-rest	A47C 17/18
Detachable or loose foot or leg supports for beds	A47C 20/021

A47C 7/56

Definition statement

Replace: The Definition text and images with the revisions below. The first and third images remain the same but are newly labeled.

Illustrative examples of subject matter classified in this place:

1.



2a.

CPC NOTICE OF CHANGES 1899

DATE: MAY 1, 2026

PROJECT MP12511



2b.



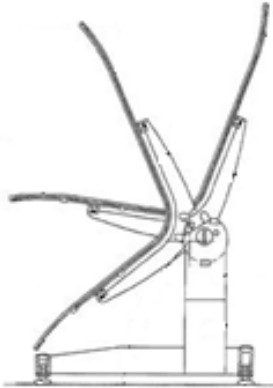
2c.



2d.



3.



References

Informative references

Delete: The serial commas from the first two table rows so that the entire table appears as follows.

Theatre, auditorium or similar chairs	A47C 1/12
Theatre, auditorium or similar chairs having tipping-up seats	A47C 1/121
Separate chairs, connectable together into a row	A47C 1/124
Stackable chairs or nesting chairs with tipping-up seats	A47C 3/045
Coin-freed apparatus for seats or footstools	G07F 17/08

DATE: MAY 1, 2026

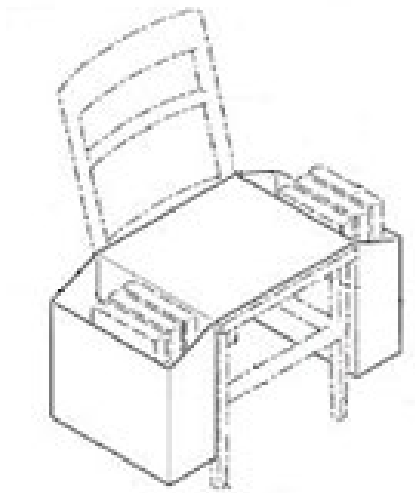
PROJECT MP12511

A47C 7/624

Definition statement

Replace: The Definition statement text with the revised text below. Image remains unchanged.

Illustrative example of subject matter classified in this place:



A47C 7/64

Definition statement

Insert: The following new Definition statement text. Image remains unchanged.

Illustrative example of subject matter classified in this place:

DATE: MAY 1, 2026

PROJECT MP12511



References

Informative references

Replace: The Informative references table text so that the entire table appears as follows.

Dress, hat or umbrella holders	A47G 25/00
--------------------------------	----------------------------

A47C 7/66

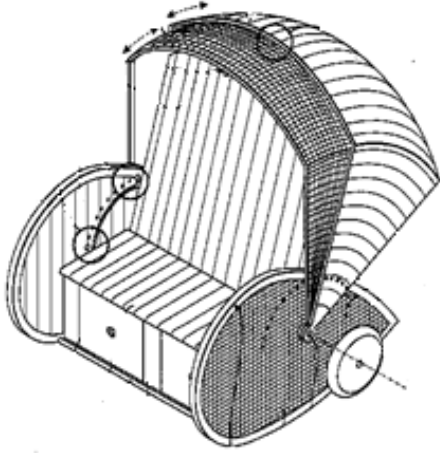
Definition statement

Insert: The following new Definition statement text. Image remains unchanged.

Illustrative example of subject matter classified in this place:

DATE: MAY 1, 2026

PROJECT MP12511



A47C 7/664

Definition statement

Replace: The Definition statement text with the revised text below. Image remains unchanged.

Umbrellas to be used in combination with a chair.

Illustrative example of subject matter classified in this place:

CPC NOTICE OF CHANGES 1899

DATE: MAY 1, 2026

PROJECT MP12511



A47C 7/68

Definition statement

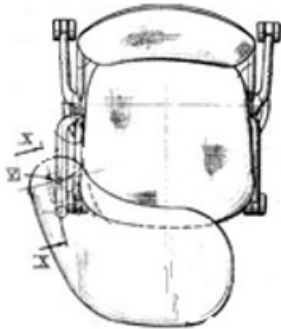
Replace: The Definition statement with the following new text and revised images.
First image is unchanged but newly numbered.

Illustrative examples of subject matter classified in this place:

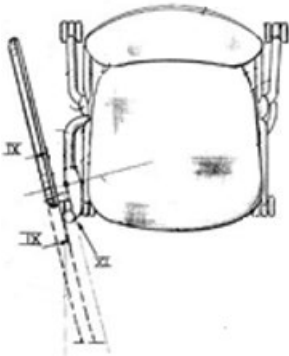
- 1.



2a.



2b.



DATE: MAY 1, 2026

PROJECT MP12511

References***Application-oriented references***Replace: The Application-oriented table with the revised table below.

Suspended or hinged panels forming a table	A47B 5/00
Bed tables	A47B 23/00
Tables combined with seats	A47B 83/02
Children's chairs with trays	A47D 1/008
Tables, working plates or trays for disabled persons chairs	A61G 5/1094
Tables or trays for use in vehicles	B60N 3/001

Informative referencesReplace: The Informative references table with the revised table below.

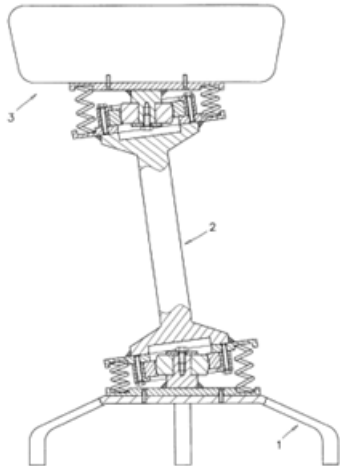
Adjustable arm-rests for reclining or easy chairs	A47C 1/03
Stackable chairs or nesting chairs	A47C 3/04
Arm supports for non-reclining and non-easy chairs	A47C 7/54

A47C 9/002**Definition statement**Replace: The existing Definition statement and images with the following revisions.

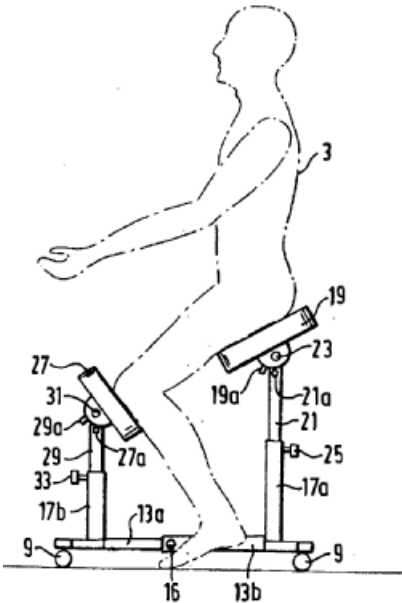
Domestic or office stools having therapeutic or ergonomic effect, e.g. using dynamic seat support.

Illustrative examples of subject matter classified in this place:

1.



2.



DATE: MAY 1, 2026

PROJECT MP12511

References

Informative references

Replace: “elastically” with “Elastically” in the third table row so that the entire table appears as follows.

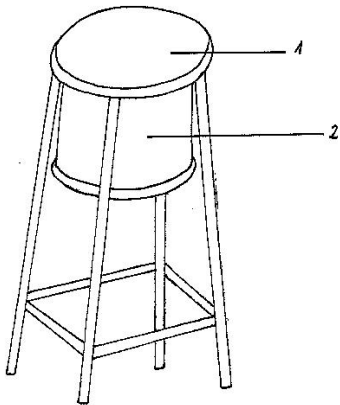
Rocking chairs	A47C 3/02
Chairs' seats especially profiled and adapted to the body contour	A47C 7/029
Chairs' seats of adjustable shape; Elastically mounted	A47C 7/14
Exercising apparatus combined with chairs	A63B 21/16

A47C 9/007

Definition statement

Insert: The following new Definition statement text. Delete the patent number below the existing image. Image remains unchanged.

Illustrative example of subject matter classified in this place:



References

Delete: The entire Limiting references section.

Insert: The following new Application-oriented references section.

Application-oriented references

Examples of places where the subject matter of this place is covered when specially adapted, used for a particular purpose, or incorporated in a larger system:

Children's chairs, adjustable in height

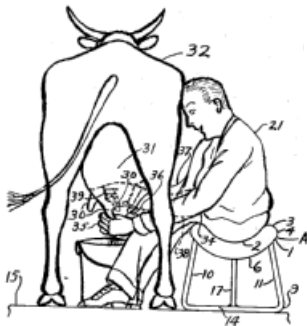
A47D 1/004

A47C 9/04

Definition statement

Replace: The Definition statement text and image with the revisions below. Delete the patent number under the existing image.

Illustrative example of subject matter classified in this place:



DATE: MAY 1, 2026

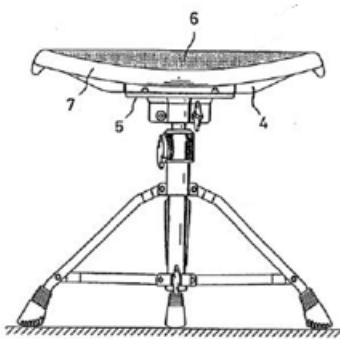
PROJECT MP12511

A47C 9/08

Definition statement

Replace: The Definition statement text and image with the revisions below. Delete the patent number under the existing image.

Illustrative example of subject matter classified in this place:



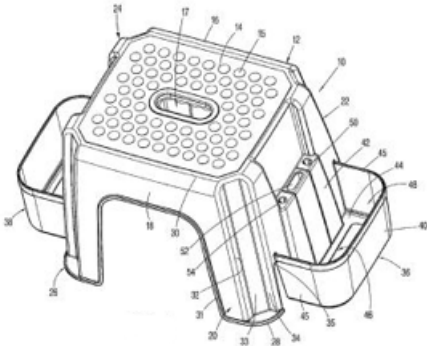
A47C 12/00

Definition statement

Replace: The Definition statement text and image with the revisions below. Delete the patent number under the existing image.

Low stool having steps, e.g. convertible into a short stepladder.

Illustrative example of subject matter classified in this place:



A47C 13/00

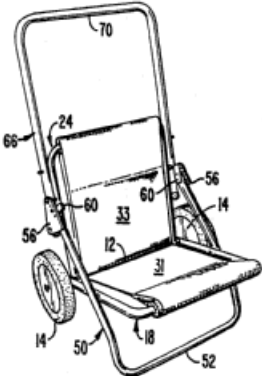
Definition statement

Replace: The Definition statement text and images with the revisions below. Delete the patent number under the existing image.

Seating furniture convertible to different seating arrangements.

Illustrative example of subject matter classified in this place:

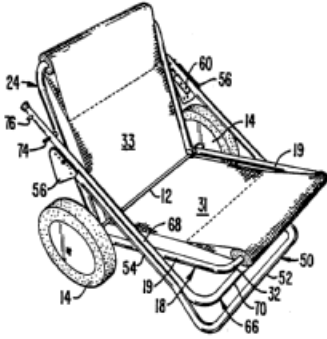
1a.



1b.

DATE: MAY 1, 2026

PROJECT MP12511



References

Limiting references

Replace: The Limiting references table text so that the entire table appears as follows.

Step-stools requiring conversion between the step and seat functions	A47C 12/02
--	----------------------------

Application-oriented references

Replace: The existing Application-oriented references table with the revised table below.

Tables convertible into chairs	A47B 85/04
Children's chairs convertible from high chair to a low one by reversing	A47D 1/04
Children's chairs convertible to push chairs	A47D 1/06
Children's chairs convertible to a rocking chair	A47D 1/08
Children's chairs convertible into tables	A47D 11/002
Chairs convertible into children's chairs	A47D 11/02
Stretchers, for patients or disabled persons, convertible into chairs	A61G 1/017

DATE: MAY 1, 2026

PROJECT MP12511

Medical beds convertible into a chair	A61G 7/16
---------------------------------------	---------------------------

Informative references

Replace: The Informative references table with the revised table below.

Modular seating	A47C 13/005
Seating furniture, couches, settees convertible into beds	A47C 17/04
Walking sticks or umbrellas convertible into seats	A45B 5/00
Luggage or hand carried bags convertible into other articles or into objects for other use, e.g. supplementary seats	A45C 9/00

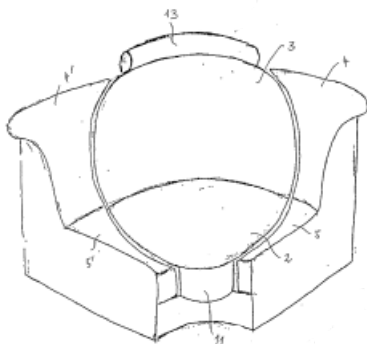
A47C 15/002

Definition statement

Replace: The Definition statement with the new text and revised images below.
Delete the patent numbers under the existing images.

Illustrative examples of subject matter classified in this place:

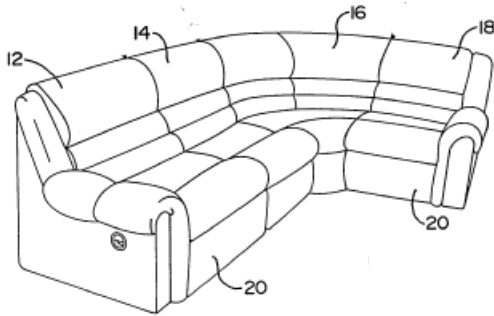
- 1.



DATE: MAY 1, 2026

PROJECT MP12511

2.



References

Delete: The entire Limiting references section.

Informative references

Insert: A new Informative references table row so that the entire table appears as follows.

Sofas without movable parts	A47C 17/02
Corner couches convertible into a double bed	A47C 17/36

A47C 15/004

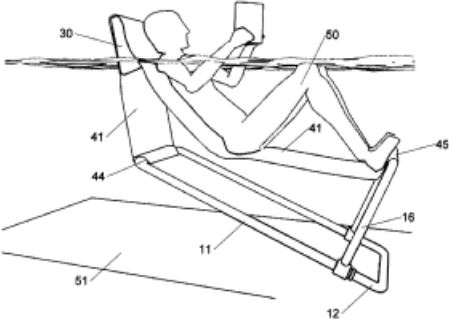
Definition statement

Replace: The Definition text and images with the revisions below. The first two images are being replaced. The third image remains the same but is newly numbered. Delete the patent numbers under all three images.

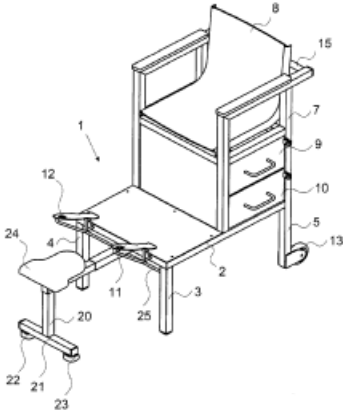
Seating furniture for specific purpose not covered in groups [A47C1/00](#) or [A47C9/00](#), e.g. shoe shining type chairs, meditation seats, video game chairs, seats for photographers, astronomical observation seats, underwater chairs, high umpire seats or seats for sexual intercourse.

Illustrative examples of subject matter classified in this place:

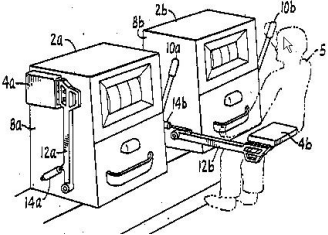
1.



2.



3.



DATE: MAY 1, 2026

PROJECT MP12511

ReferencesDelete: The entire Limiting references section.Insert: The following new Application-oriented references section.***Application-oriented references****Examples of places where the subject matter of this place is covered when specially adapted, used for a particular purpose, or incorporated in a larger system:*

Seats for surgeons or dentists	A61B 90/60
Body floating supports for relaxation in water	A61H 37/005
Floating devices with seat for pleasure or sports	B63B 34/50
Floatable furniture	B63C 9/30

Insert: The following new References out of a residual place section.***References out of a residual place****Examples of places in relation to which this place is residual:*

Hairdressers' or similar chairs	A47C 1/04
High stools, e.g. bar stools	A47C 9/007

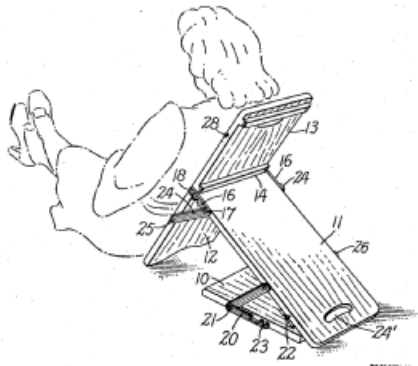
Delete: The entire Informative references section.**[A47C 16/005](#)****Definition statement**Replace: The Definition statement text and image with the revisions below. Delete the patent number under the existing image.

DATE: MAY 1, 2026

PROJECT MP12511

Stand-alone back-rests.

Illustrative example of subject matter classified in this place:



References

Delete: The entire Limiting references section.

Insert: The following new Informative references section.

Informative references

Attention is drawn to the following places, which may be of interest for search:

Chairs having independently-adjustable supporting parts, e.g. having independently-adjustable back-rest, back-rest and seat unit	A47C 1/022
Chairs having movably-coupled adjustable seat and back-rest	A47C 1/032
Beach chairs of legless type	A47C 1/146
Detachable or loose back supports associated with beds	A47C 20/027

DATE: MAY 1, 2026

PROJECT MP12511

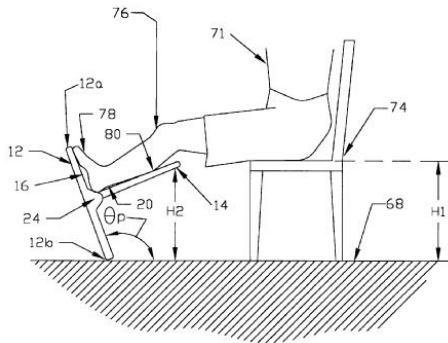
A47C 16/02

Definition statement

Replace: The Definition statement text with the revised text below. Delete the patent number under the existing image. The image remains unchanged.

- Stand-alone foot-rests or leg-rests;
- Footstools.

Illustrative example of subject matter classified in this place:



References

Delete: The entire Limiting references section.

Insert: The following new Application-oriented references section.

Application-oriented references

Examples of places where the subject matter of this place is covered when specially adapted, used for a particular purpose, or incorporated in a larger system:

Leg-rests or foot-rests for disabled persons' chairs	A61G 5/127 , A61G 5/128
Lower-leg-rests for vehicles, e.g. calf-rests	B60N 2/995
Foot-rests for vehicle seats	B60N 3/06

Insert: The following new Informative references section.

DATE: MAY 1, 2026

PROJECT MP12511

Informative references

Attention is drawn to the following places, which may be of interest for search:

Chairs having coupled adjustable supporting parts, the parts including a leg-rest or foot-rest	A47C 1/034
Chairs having adjustable leg-rest or foot-rest in combination with head-rest	A47C 1/037
Supports for the feet or the legs coupled to non-movable parts of the chair	A47C 7/50

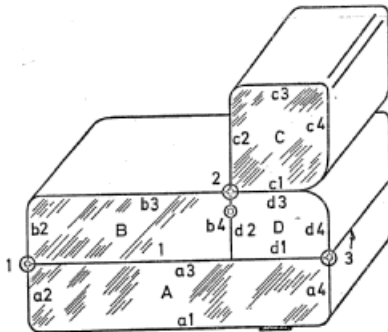
A47C 17/045

Definition statement

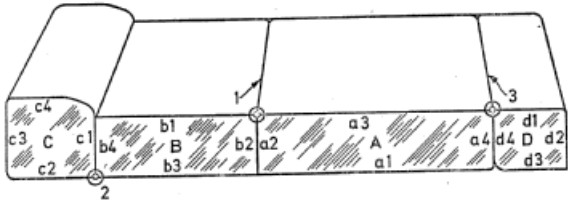
Replace: The Definition statement text and images with the revisions below. All images are newly labeled. Delete the patent numbers under the existing images.

Illustrative examples of subject matter classified in this place:

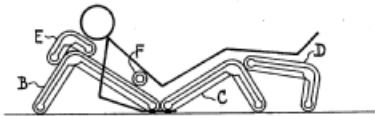
1a.



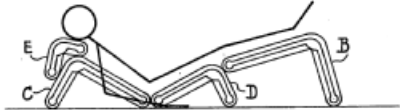
1b.



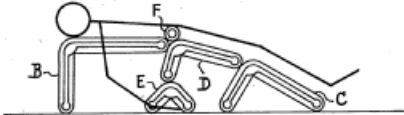
2a.



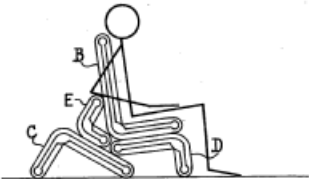
2b.



2c.



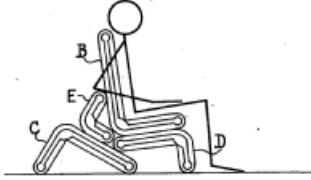
2d.



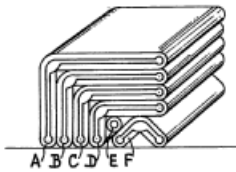
DATE: MAY 1, 2026

PROJECT MP12511

2e.



2f.



References

Delete: The entire Limiting references section.

Insert: The following new Informative references section.

Informative references

Attention is drawn to the following places, which may be of interest for search:

Spring, stuffed or fluid mattress with several cushions, mattresses or the like, to be put together in one cover	A47C 27/001
--	-------------

A47C 17/13

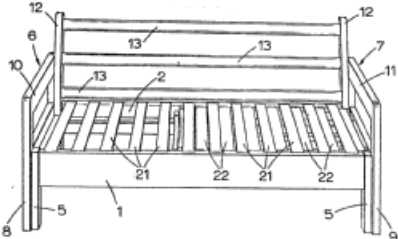
Definition statement

Replace: The Definition statement text and images with the revisions below. All images are newly labeled. Delete the patent numbers under the existing images.

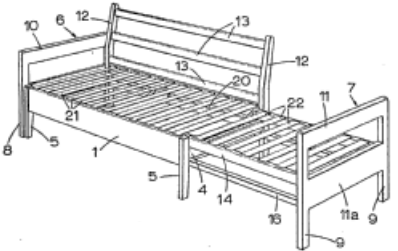
Seating furniture with non-movable back-rest convertible to bed by pulling the seat cushion.

Illustrative examples of subject matter classified in this place:

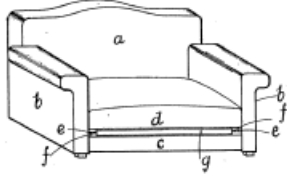
1a.



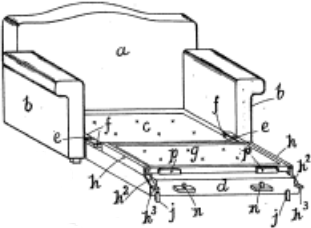
1b.



2a.



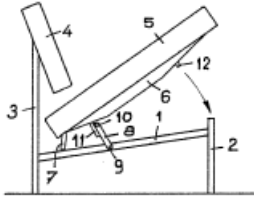
2b.



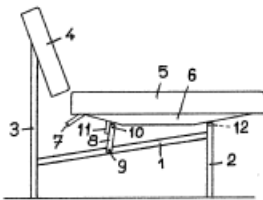
DATE: MAY 1, 2026

PROJECT MP12511

4b.



4c.



References

Delete: The entire Limiting references section.

Insert: The following new Informative references section.

Informative references

Attention is drawn to the following places, which may be of interest for search:

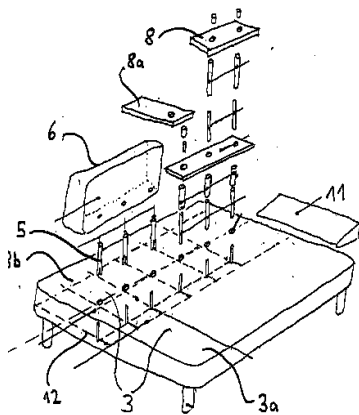
Seating furniture convertible to bed by pivoting the movable-coupled back-rests and seat	A47C 17/17
Seating furniture convertible to bed by pivoting the back-rest with seat cushion consisting of multiple superposed parts, wherein at least one lower hidden part is sliding forward out of the frame	A47C 17/2073
Seating furniture convertible to bed by pivoting the back-rest with seat cushion consisting of multiple superposed parts, wherein at least one lower hidden part is pivoted by linkages out of the frame	A47C 17/2076
Seating furniture with non-movable back-rest convertible to bed by uncovering previously hidden	A47C 17/22

A47C 17/14

Definition statement

Replace: The Definition statement text with the revised text below. Delete the patent number under the existing image. The image remains unchanged.

Illustrative example of subject matter classified in this place:



References

Delete: The entire Limiting references section.

Informative references

Replace: The Informative references table with the revised table below.

Dismountable chairs	A47C 4/02
Chairs with dismountable or loose back-rest	A47C 7/42
Modular seating	A47C 13/005
Seating furniture with loose or connected by the fabric hinge cushions, convertible to bed	A47C 17/045
Dismountable bedsteads	A47C 19/005

A47C 17/16

Definition statement

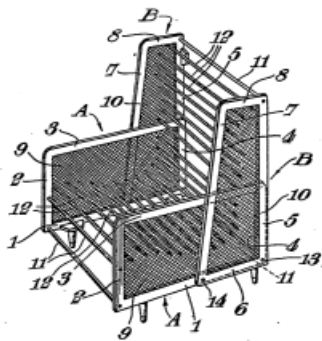
Replace: The Definition statement text and images with the revisions below. All images are newly labeled. Delete the patent numbers under the existing images.

Seating furniture convertible to beds by tilting or pivoting the back-rest.

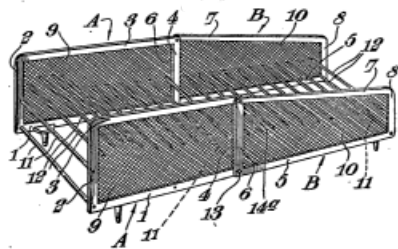
The back-rest can also be connected to the movable seat parts.

Illustrative examples of subject matter classified in this place:

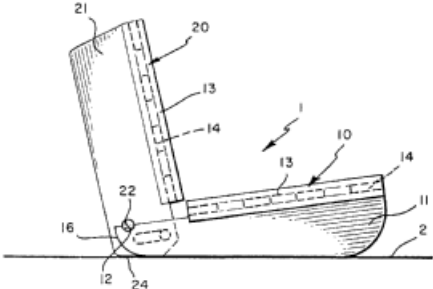
1a.



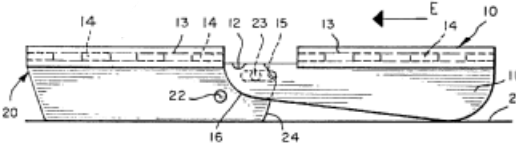
1b.



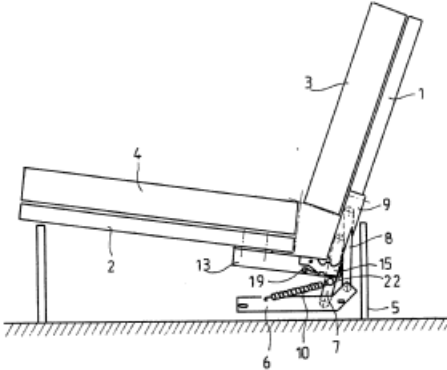
5a.



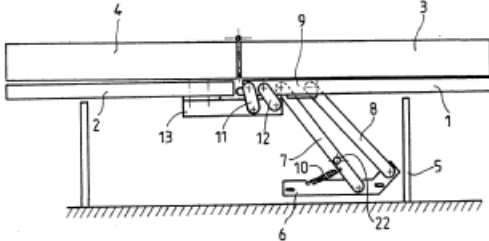
5b.



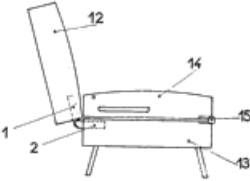
6a.



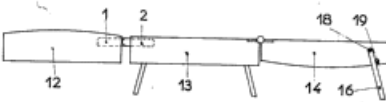
6b.



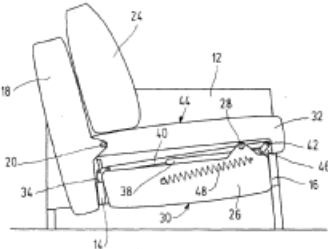
7a.



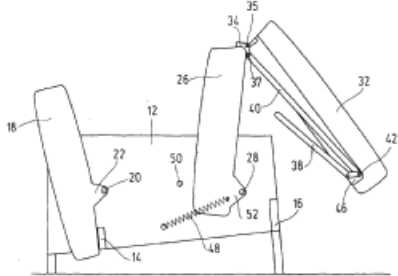
7b.



8a.



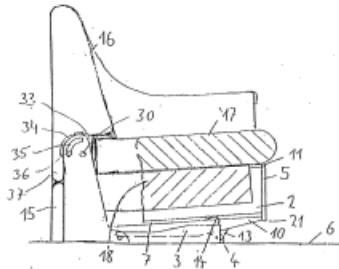
8b.



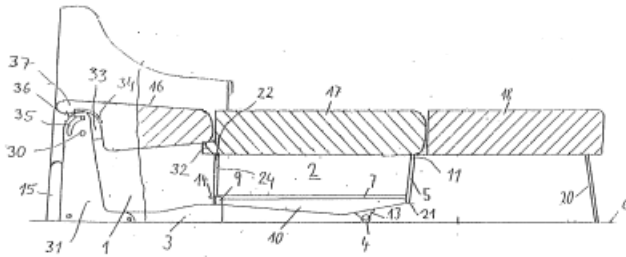
DATE: MAY 1, 2026

PROJECT MP12511

9a.



9b.



References

Delete: The entire Limiting references section.

Insert: The following new Informative references section.

Informative references

Attention is drawn to the following places, which may be of interest for search:

Seating furniture having non-movable back-rest changeable to beds by increasing the available seat part, e.g. by drawing seat cushion forward	A47C 17/13
Seating furniture with non-movable back-rest convertible to bed by uncovering previously hidden mattress or articulated bed cushions	A47C 17/22

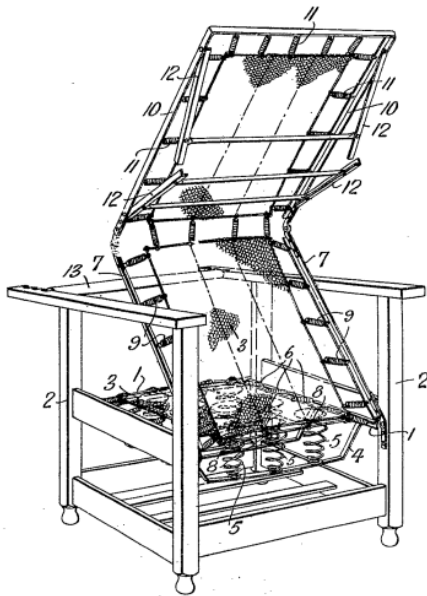
A47C 17/22

Definition statement

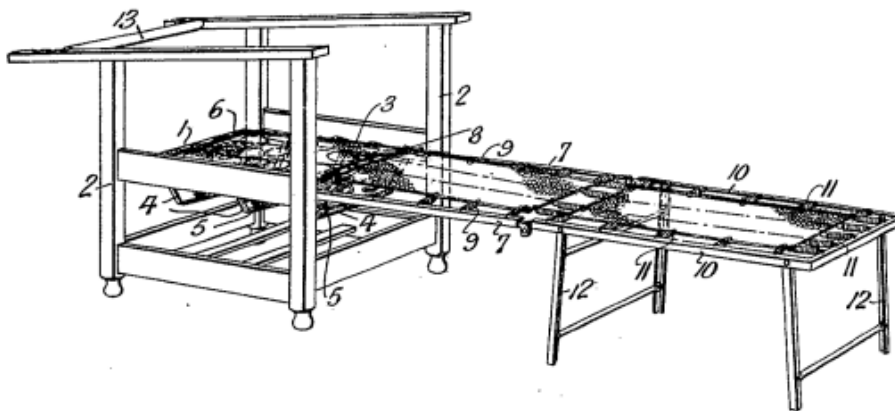
Replace: The Definition statement text and images with the revisions below. All images are newly labeled. Delete the patent numbers under the existing images.

Illustrative examples of subject matter classified in this place:

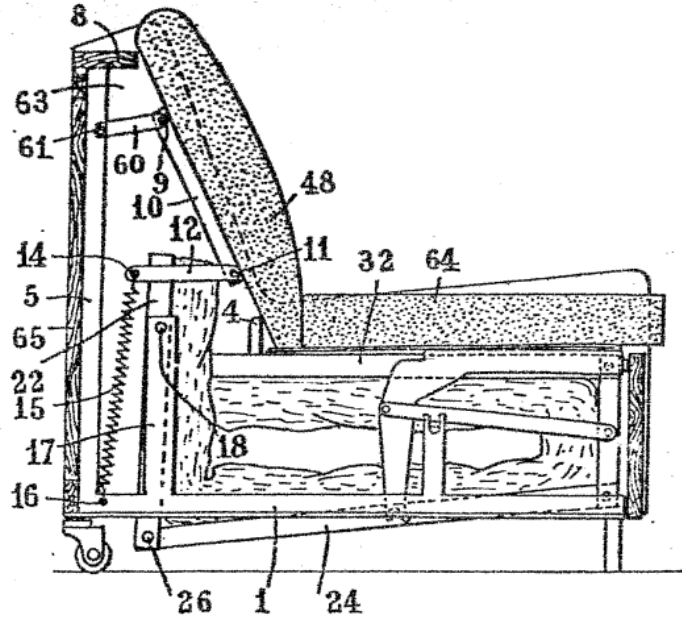
1a.



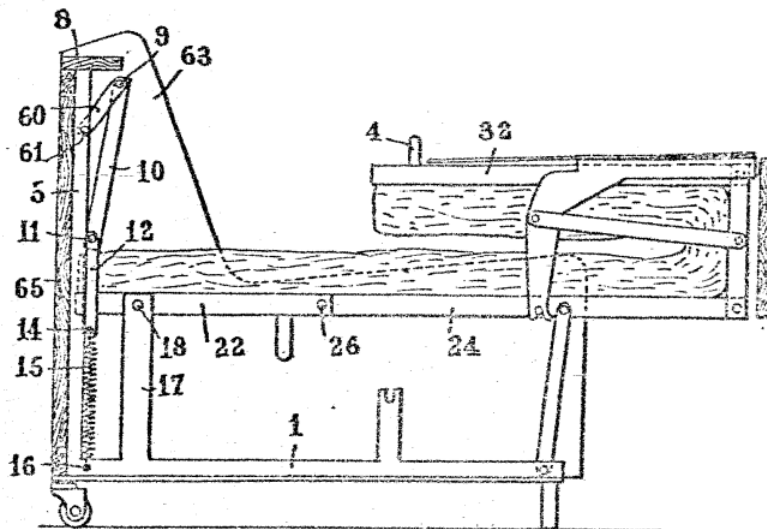
1b.



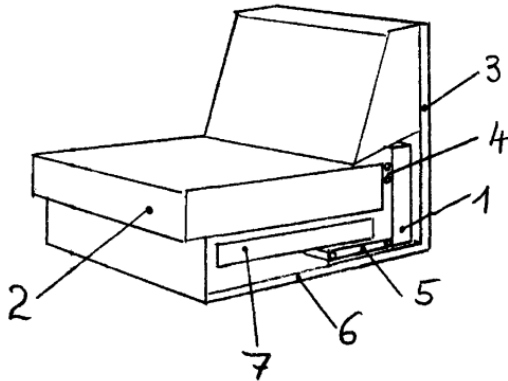
2a.



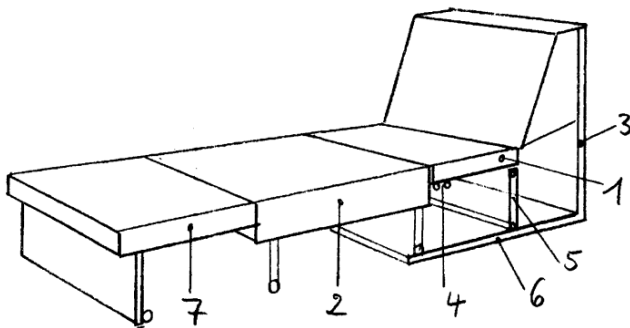
2b.



3a.



3b.



References

Delete: The entire Limiting references section.

Informative references

Replace: The Informative references table with the revised table below.

Seating furniture having non-movable back-rest changeable to beds by increasing the available seat part, e.g. by drawing seat cushion forward	A47C 17/13
Seating furniture convertible to bed by pivoting the back-rest thereby uncovering previously hidden parts	A47C 17/20

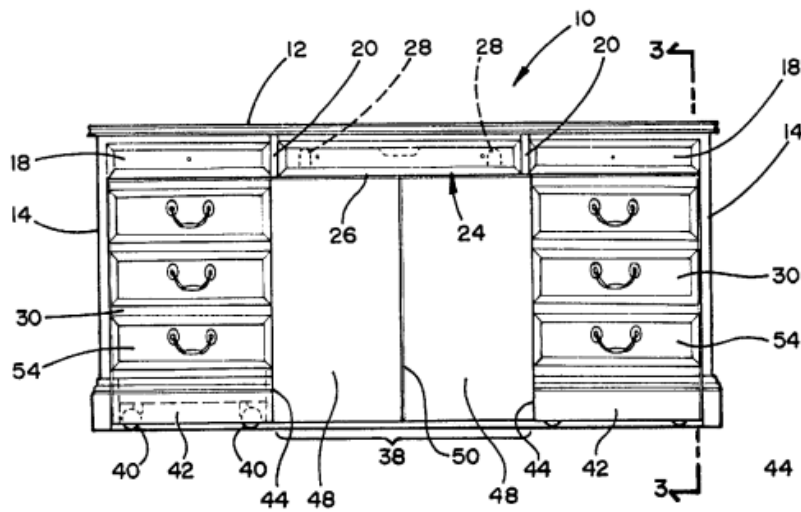
A47C 17/52

Definition statement

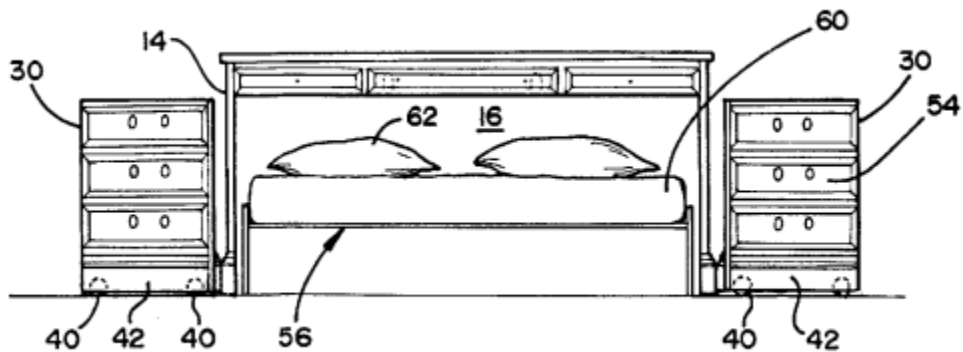
Replace: The Definition statement text and images with the revisions below. All images are newly labeled. Delete the patent numbers under the existing images.

Illustrative examples of subject matter classified in this place:

1a.



1b.

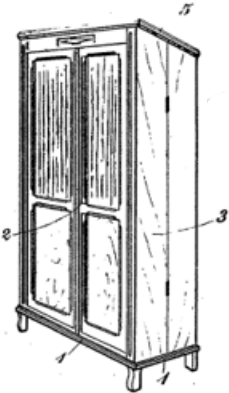


CPC NOTICE OF CHANGES 1899

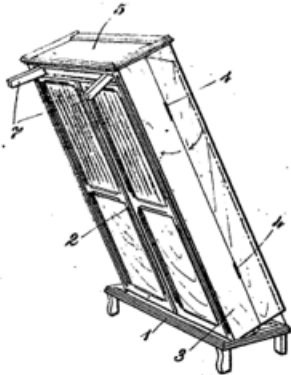
DATE: MAY 1, 2026

PROJECT MP12511

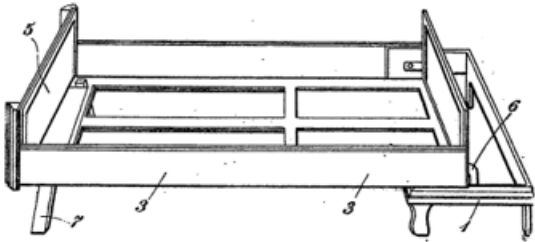
2a.



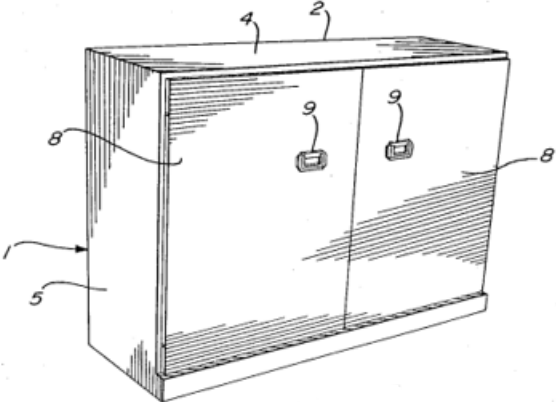
2b.



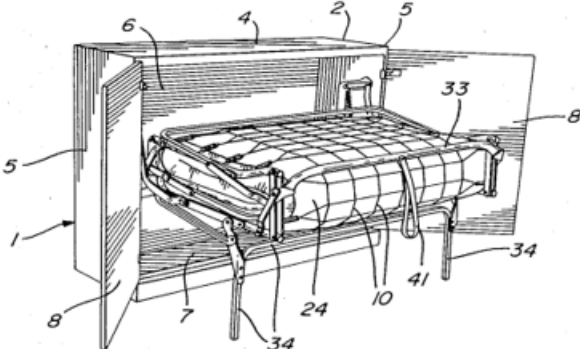
2c.



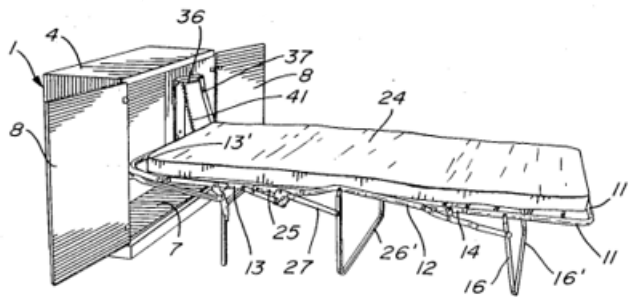
3a.



3b.



3c.



DATE: MAY 1, 2026

PROJECT MP12511

ReferencesDelete: The entire Limiting references section.Insert: The following new Informative references section.***Informative references****Attention is drawn to the following places, which may be of interest for search:*

Seating furniture convertible into beds	A47C 17/04
Wall beds	A47C 17/38
Travelling or camp beds	A47C 17/64
Folding bedsteads	A47C 19/12

[A47C 17/84](#)**Definition statement**Replace: The Definition statement text and images with the revisions below. Both images are newly labeled. Delete the patent numbers under the existing images.

Beds suspended from the horizontal support surface above the bed, e.g. ceiling or movable to non-use position against the ceiling.

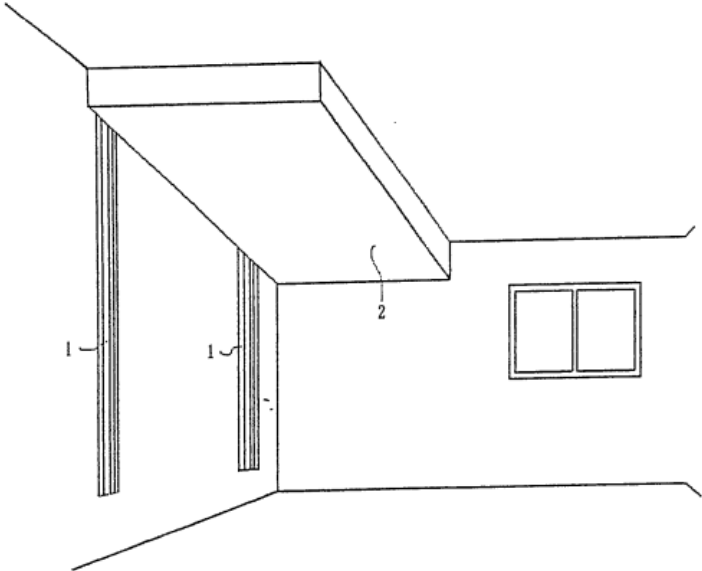
Illustrative examples of subject matter classified in this place:

CPC NOTICE OF CHANGES 1899

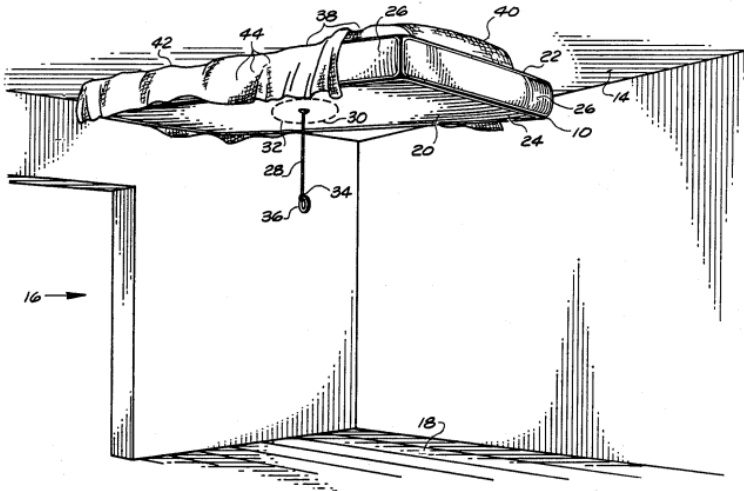
DATE: MAY 1, 2026

PROJECT MP12511

1.



2.



DATE: MAY 1, 2026

PROJECT MP12511

References

Limiting references

Replace: The Limiting references table with the revised table below.

Hammocks	A45F 3/22
----------	-----------

Insert: The following new Informative references section.

Informative references

Attention is drawn to the following places, which may be of interest for search:

Wall beds	A47C 17/38
-----------	------------

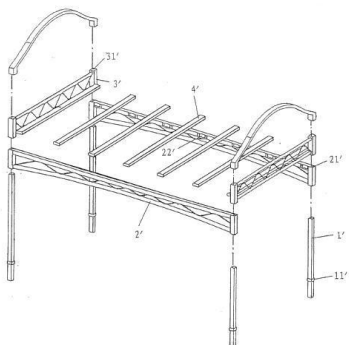
A47C 19/005

Definition statement

Insert: A second paragraph so that the entire Definition statement appears as follows. Image is unchanged.

Beds having detachably interconnected joints configured to be dismantled without causing their destruction.

Illustrative example of subject matter classified in this place:



DATE: MAY 1, 2026

PROJECT MP12511

ReferencesDelete: The entire Limiting references section.Insert: The following new Application-oriented references section.***Application-oriented references***

Examples of places where the subject matter of this place is covered when specially adapted, used for a particular purpose, or incorporated in a larger system:

Dismountable children's beds	A47D 7/005
Dismountable children's pens	A47D 13/066
Collapsible stretchers	A61G 1/013

Insert: The following new Informative references section.***Informative references***

Attention is drawn to the following places, which may be of interest for search:

Dismountable chairs	A47C 4/02
Dismountable travelling or camp beds	A47C 17/645
Foldable or dismountable spring mattress with rigid frame	A47C 23/005

A47C 19/02

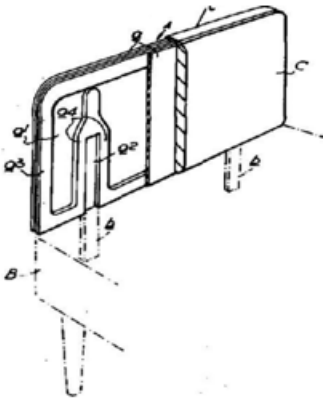
Definition statement

Replace: The Definition statement text and images with the revisions below. All images are newly labeled. Delete the patent number under the last image.

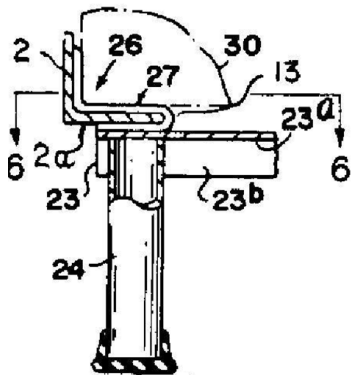
Parts or details of bedsteads, e.g. bed rails, legs, head or foot boards, cross-bars.

Illustrative examples of subject matter classified in this place:

1.



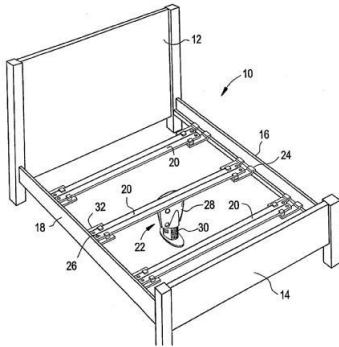
2.



3.

DATE: MAY 1, 2026

PROJECT MP12511



References

Informative references

Replace: “Fitting” with “Fittings” so that the Informative references table appears as follows.

Fittings for bedsteads	F16B 12/54
------------------------	----------------------------

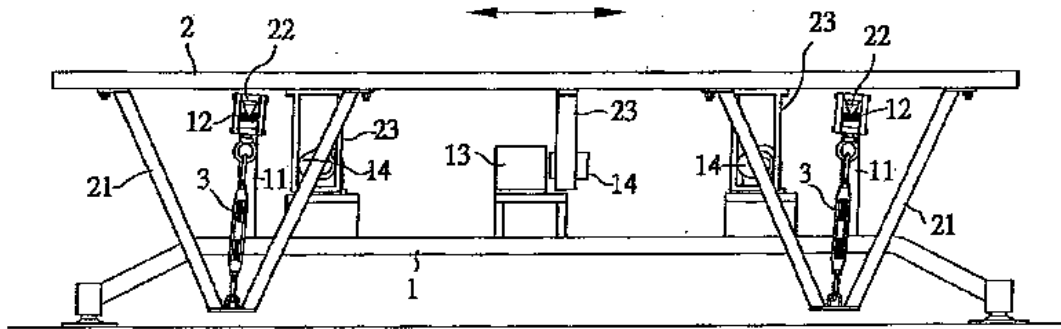
A47C 21/006

Definition statement

Insert: A second paragraph so that the entire Definition statement appears as follows. Delete the patent number beneath the image. Image is unchanged.

Beds having mechanisms causing oscillation or vibration of the bed.

Illustrative example of subject matter classified in this place:



References

Delete: The entire Limiting references section.

Insert: The following new Application-oriented references section.

Application-oriented references

Examples of places where the subject matter of this place is covered when specially adapted, used for a particular purpose, or incorporated in a larger system:

Small beds for newborns or infants with rocking mechanisms	A47D 9/02
Children's rocking chairs	A47D 13/105
Medical beds for preventing bed-sores or for supporting patients with burns having alternately movable parts	A61G 7/0573

Insert: The following new Informative references section.

Informative references

Attention is drawn to the following places, which may be of interest for search:

Rocking chairs in general	A47C 3/02
Swings in general	A63G 9/00

Devices for rocking or oscillating perambulators
--

B62B 9/22

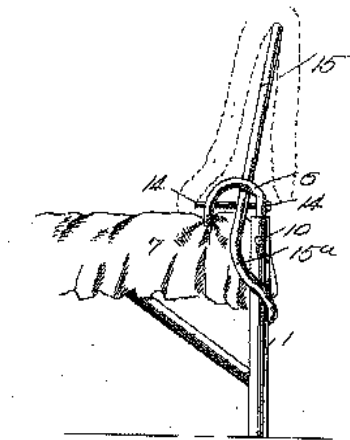
A47C 21/022

Definition statement

Replace: The Definition statement text with the revised text below. All images are newly labeled but are otherwise unchanged.

Illustrative examples of subject matter classified in this place:

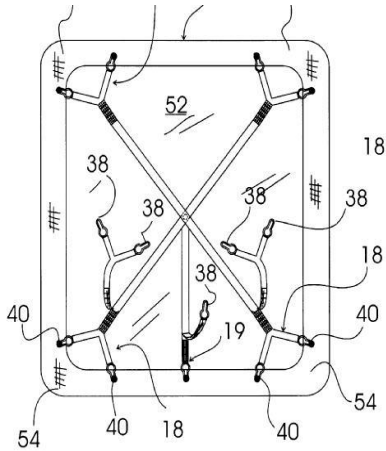
1.



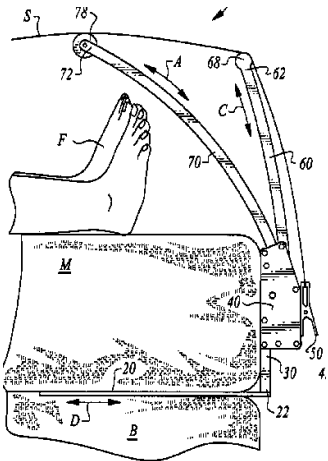
DATE: MAY 1, 2026

PROJECT MP12511

2.



3.



References

Delete: The entire Limiting references section.

Insert: The following new Application-oriented references section.

Application-oriented references

Examples of places where the subject matter of this place is covered when specially adapted, used for a particular purpose, or incorporated in a larger system:

CPC NOTICE OF CHANGES 1899

DATE: MAY 1, 2026

PROJECT MP12511

Children's beds with bed-cover holders preventing babies from throwing off the bed cover	A47D 15/02
Medical beds with bed-clothes supports to alleviate the weight of the bed-clothes on the patient	A61G 7/0501

Insert: The following new Informative references section.

Informative references

Attention is drawn to the following places, which may be of interest for search:

Bed-covers; Counterpanes; Travelling rugs; Sleeping rugs; Sleeping bags; Pillows	A47G 9/00
--	-----------

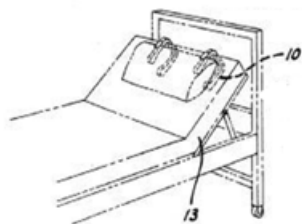
A47C 21/026

Definition statement

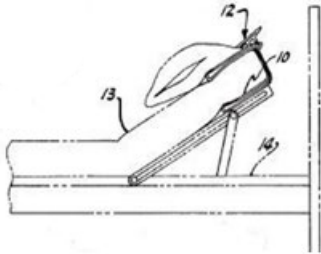
Replace: The Definition statement text and images with the revisions below. Delete the patent numbers under the images. Last image remains unchanged but is newly labeled.

Illustrative examples of subject matter classified in this place:

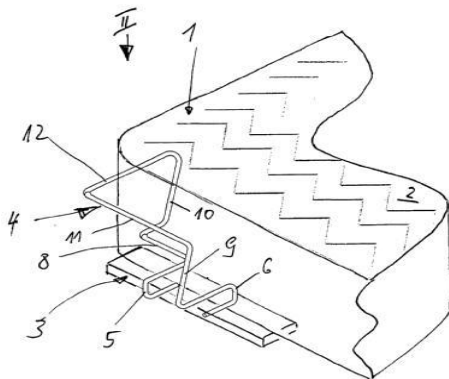
1a.



1b.



2.



References

Delete: The entire Limiting references section.

Insert: The following new Informative references section.

Informative references

Attention is drawn to the following places, which may be of interest for search:

Spring mattresses with ridged frame, e.g. box springs	A47C 23/00
Stuffed or fluid mattress without a rigid frame for beds or sofas	A47C 27/00

Pillows	A47G 9/10
---------	-----------

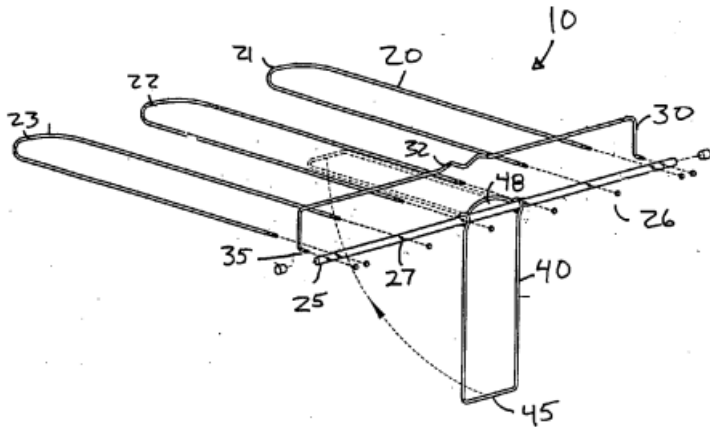
A47C 21/028

Definition statement

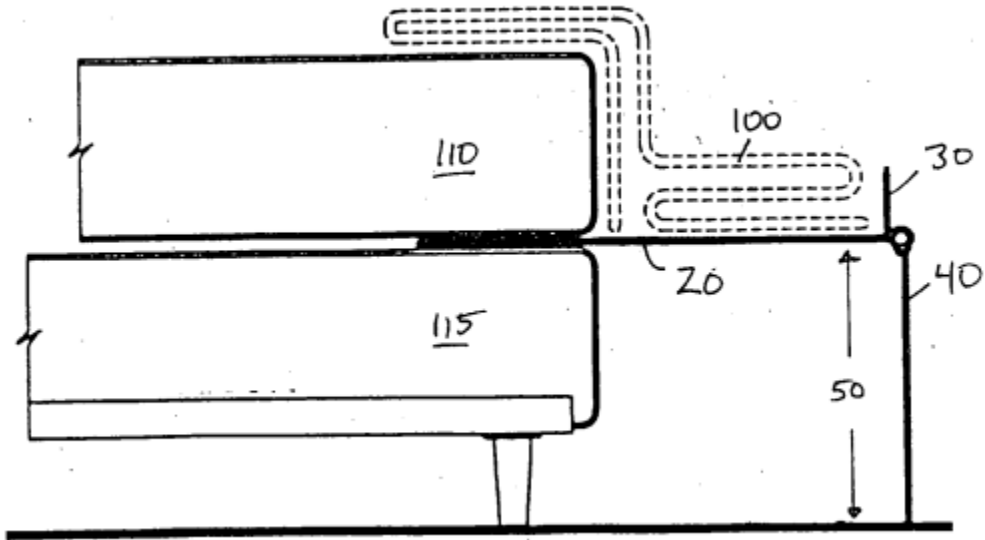
Replace: The Definition statement text and images with the revisions below. Delete the patent numbers under the images. Last image remains unchanged but is newly labeled.

Illustrative examples of subject matter classified in this place:

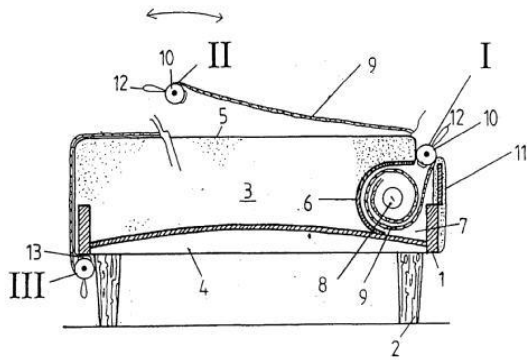
1a.



1b.



2.



References

Delete: The entire Relationships with other classification places section.

DATE: MAY 1, 2026

PROJECT MP12511

Insert: The following new Application-oriented references section.

Application-oriented references

Examples of places where the subject matter of this place is covered when specially adapted, used for a particular purpose, or incorporated in a larger system:

Medical beds with dispensers of disposable sheets	A61G 7/0502
---	-----------------------------

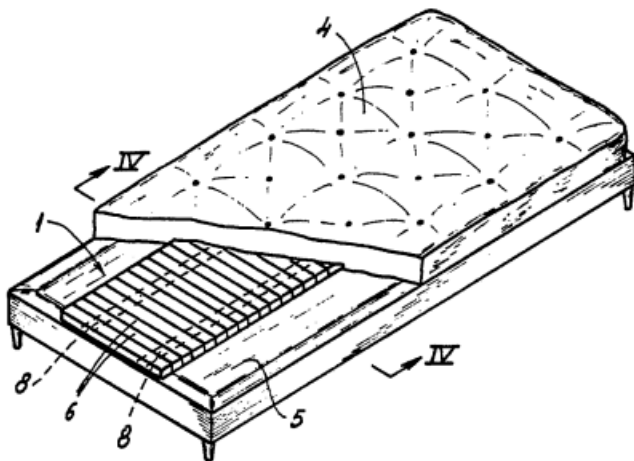
A47C 21/06

Definition statement

Replace: The existing Definition statement text and image with the revisions below.
Delete the patent number beneath the image.

Mattress underlays that are layers or inserts positioned between bed-frame or box-spring and the upper mattress to increase the upper mattress' ventilation, firmness or protect from damage.

Illustrative example of subject matter classified in this place:



Insert: The following new Informative references section.

Informative references

Attention is drawn to the following places, which may be of interest for search:

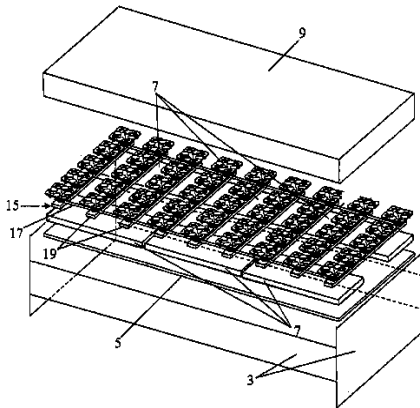
Mattress tickings or covers	A47C 27/002
-----------------------------	-----------------------------

A47C 23/002

Definition statement

Replace: The Definition statement text with the revised text below. Delete the patent number under the image. Image remains unchanged.

Illustrative example of subject matter classified in this place:



A47C 23/005

References

Delete: The entire Limiting references section.

Insert: The following new Informative references section.

Informative references

Attention is drawn to the following places, which may be of interest for search:

CPC NOTICE OF CHANGES 1899

DATE: MAY 1, 2026

PROJECT MP12511

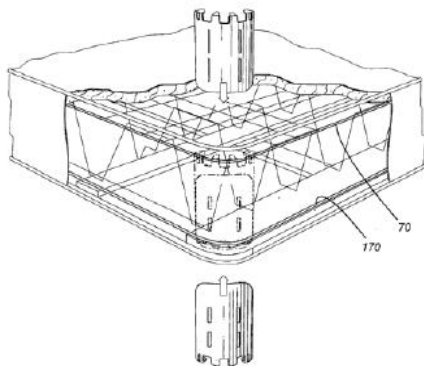
Foldable travelling or camp beds	A47C 17/68, A47C 17/70, A47C 17/74
Dismountable bedsteads	A47C 19/005
Folding bedsteads	A47C 19/12

A47C 23/007

Definition statement

Replace: The Definition statement text with the revised text below. Delete the patent number under the image. Image remains unchanged.

Illustrative example of subject matter classified in this place:



References

Delete: The entire Limiting references section.

Insert: The following new Informative references section.

Informative references

Attention is drawn to the following places, which may be of interest for search:

Chairs with seat having compressed springs with edge reinforcement	A47C 7/342
--	------------

DATE: MAY 1, 2026

PROJECT MP12511

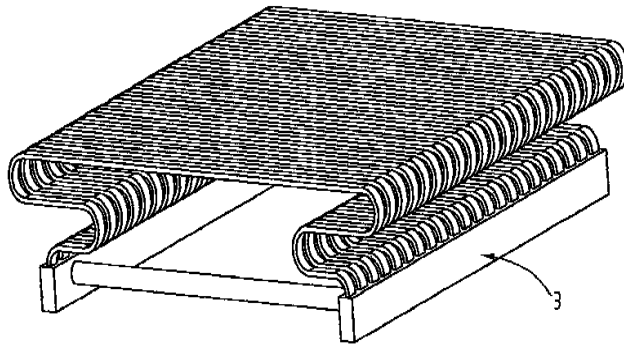
Stuffed or fluid mattresses without a rigid frame having ticking or covers with edge welts or rolls	A47C 27/003
Stuffed or fluid mattresses without a rigid frame having spring inlays with edge stiffeners	A47C 27/066
Edge welts for upholstery in general	B68G 7/105

A47C 23/02

Definition statement

Replace: The Definition statement text with the revised text below. Delete the patent number under the image. Image remains unchanged.

Illustrative example of subject matter classified in this place:



References

Limiting references

Replace: The Limiting references table with the revised table below.

Slatted wooden bed bases	A47C 23/06
--------------------------	----------------------------

Insert: The following new Informative references section.

Informative references

DATE: MAY 1, 2026

PROJECT MP12511

Attention is drawn to the following places, which may be of interest for search:

Chairs with movable-coupled seat and back-rest characterised by leaf spring	A47C 1/03277
Chairs with tensioned springs, e.g. of flat type	A47C 7/28
Chairs with elastically-mounted back-rest or back-rest and seat unit in the base frame characterised by leaf springs	A47C 7/445
Mattress with rigid frame using tensioned springs, e.g. flat type	A47C 23/12

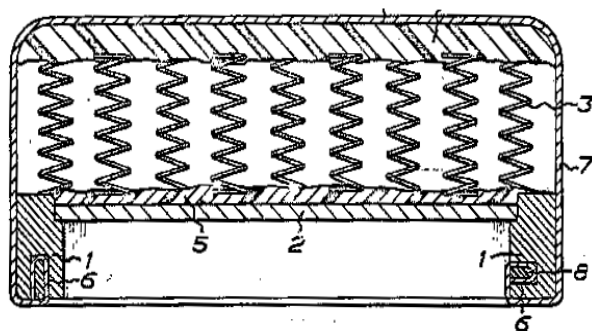
A47C 23/04

Definition statement

Replace: The Definition statement text and images with the revisions below. Delete the patent numbers under the images. First image remains unchanged but is newly numbered.

Illustrative examples of subject matter classified in this place:

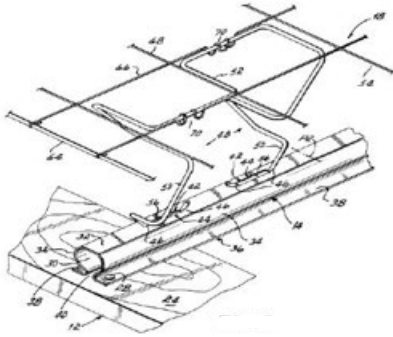
1.



DATE: MAY 1, 2026

PROJECT MP12511

2.



References

Delete: The entire Limiting references section.

Insert: The following new Informative references section.

Informative references

Attention is drawn to the following places, which may be of interest for search:

Chairs with seat parts having springs in compression, e.g. coil springs	A47C 7/34
Spring mattresses with rigid frame having combination of nets with springs in compression	A47C 23/32
Stuffed or fluid mattress without a rigid frame for beds or sofas with spring inlays	A47C 27/04
Upholstery attaching means	A47C 31/02
Making wire network, e.g. wire nets for spring mattresses	B21F 27/16
Mounting of mattress innersprings on border frames	B21F 33/025
Springs in general	F16F

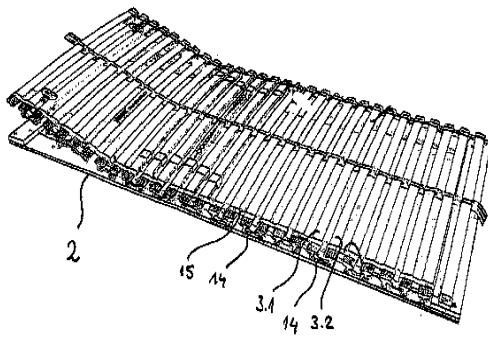
A47C 23/06

Definition statement

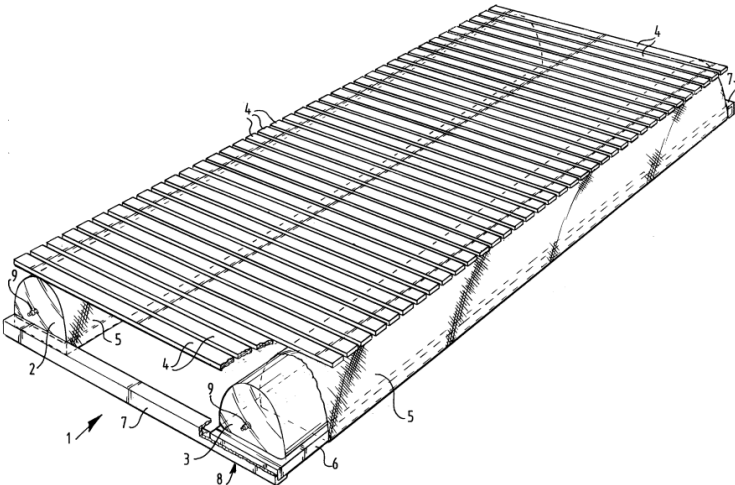
Replace: The Definition statement text and images with the revisions below. Delete the patent numbers under the images. First image remains unchanged but is newly numbered.

Illustrative examples of subject matter classified in this place:

1.



2.



References

Delete: The entire Limiting references section.

Insert: The following new Informative references table.

Informative references

Attention is drawn to the following places, which may be of interest for search:

Spring mattresses with rigid frame with leaf springs	A47C 23/02
Mattress with rigid frame using tensioned springs, e.g. flat type	A47C 23/12

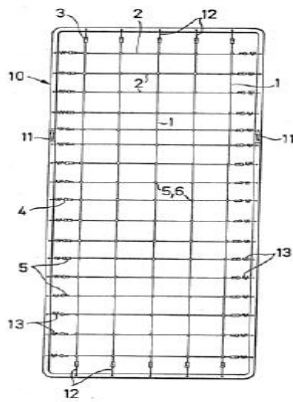
A47C 23/12

Definition statement

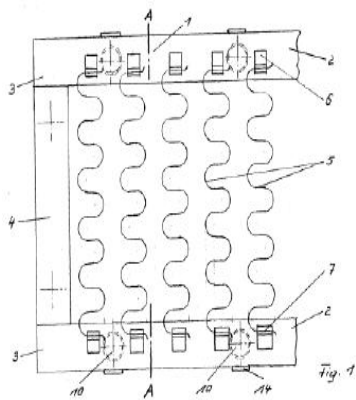
Replace: The Definition statement text and images with the revisions below. Delete the patent numbers under the images. First two images remain unchanged but are newly numbered.

Illustrative examples of subject matter classified in this place:

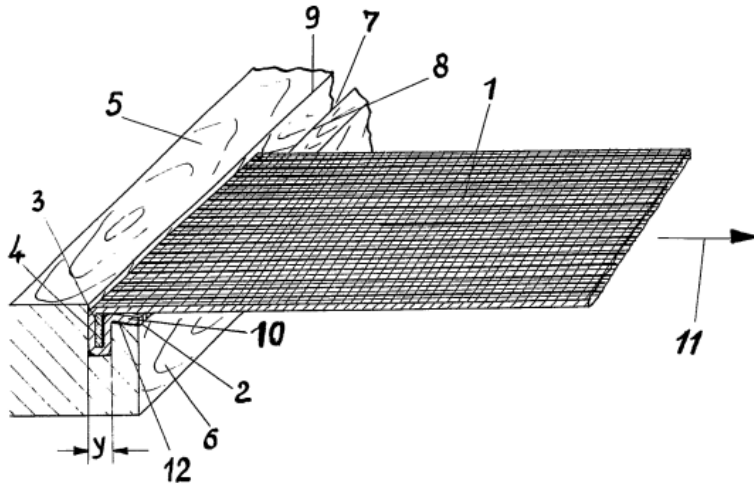
1.



2.



3.



References

Limiting references

Replace: The Limiting references table with the revised table below.

Spring mattresses with rigid frame with leaf springs	A47C 23/02
--	----------------------------

Insert: The following new Informative references section.

Informative references

Attention is drawn to the following places, which may be of interest for search:

Chairs with tensioned springs, e.g. of flat type	A47C 7/28
Slatted wooden bed bases	A47C 23/06

DATE: MAY 1, 2026

PROJECT MP12511

A47C 27/00**Definition statement**

Replace: The Definition statement text with the revised text below.

Spring, stuffed or fluid mattresses without a rigid frame for chairs, beds or sofas.

References**Informative references**

Replace: The Informative references table with the revised table below.

Chairs with detachable or loose seat cushions	A47C 7/021
Bedsteads	A47C 19/00
Mattresses with rigid frame, e.g. spring boxes	A47C 23/00
Upholstery attaching means	A47C 31/02
Sacks or packs convertible into beds or mattresses	A45F 4/06
Show stands for furniture e.g. beds or mattresses	A47F 7/30
Making wire network, e.g. wire nets for spring mattresses	B21F 27/16
Production of upholstery by moulding	B29L 2031/58
Production of mattresses or cushion by moulding	B29L 2031/751
Resilient upholstery pads in general	B68G 5/00
Making upholstery	B68G 7/00
Machines for sewing quilts or mattresses	D05B 11/00
Springs in general	F16F

DATE: MAY 1, 2026

PROJECT MP12511

Glossary of terms

Replace: The Glossary of terms table with the revised table below.

bedstead	bed frame having non-elastic support forming the lowest part of the bed
spring mattress with rigid frame	mattress having a rigid frame and elastic elements fixed to the rigid frame. Such mattresses can be positioned on top of the bedstead, e.g. box-springs, or directly on the floor, e.g. divan or slatted bed bases.
stuffed or fluid mattress	mattress without a rigid frame stuffed with fibrous material, foam, fluid or springs. Such mattresses can be placed on top of a bedstead, box-spring or directly on the floor, e.g. futon.

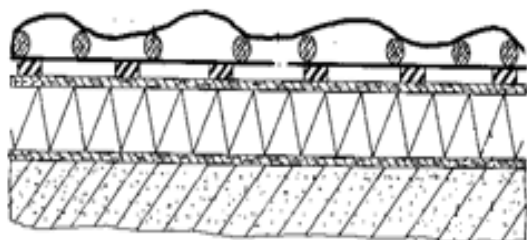
A47C 27/002**Definition statement**

Replace: The Definition statement text with the revisions below. Delete the patent numbers under the images. The images remain unchanged but are newly numbered.

Mattress tickings or covers forming integral part of the mattress.

Illustrative examples of subject matter classified in this place:

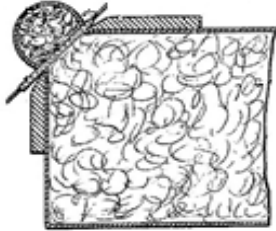
1.



DATE: MAY 1, 2026

PROJECT MP12511

2.



References

Delete: The entire Limiting references section.

Informative references

Insert: The following new row into the existing Informative references table.

Bed linens, blankets or counterpanes	A47G 9/02
--------------------------------------	---------------------------

A47C 27/04

Definition statement

Replace: The Definition statement text with the revisions below. The images remain unchanged but are newly numbered.

Mattresses without a rigid frame stuffed with springs, e.g. helical springs.

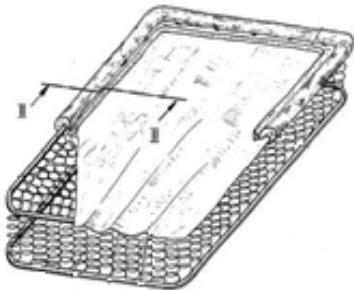
Illustrative examples of subject matter classified in this place:

CPC NOTICE OF CHANGES 1899

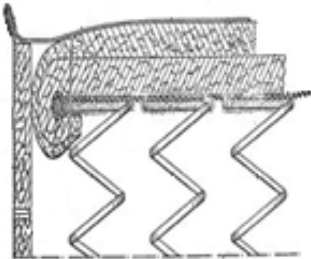
DATE: MAY 1, 2026

PROJECT MP12511

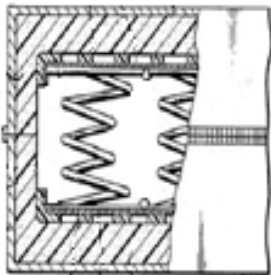
1.



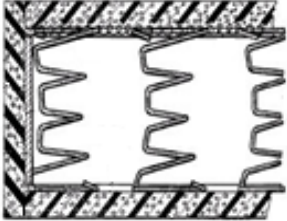
2.



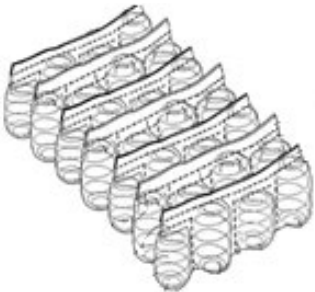
3.



4.



5.



6.



References

Limiting references

Replace: The Limiting references table with the revised table below.

Foamed mattresses with springs moulded in, or situated in openings in foamed material	A47C 27/20
---	----------------------------

DATE: MAY 1, 2026

PROJECT MP12511

Informative references

Replace: The Informative references table with the revised table below.

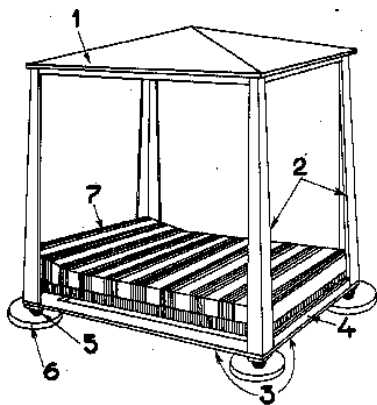
Chairs with seat parts having springs in compression, e.g. coil springs	A47C 7/34
Spring mattresses with rigid frame having springs in compression, e.g. coiled springs	A47C 23/04
Spring mattress with rigid frame having combinations of nets with springs in compression	A47C 23/32
Upholstery attaching means	A47C 31/02
Making upholstery	B68G 7/00
Springs in general	F16F

A47C 31/002

Definition statement

Replace: The Definition statement text with the revised text below. The image remains unchanged.

Illustrative example of subject matter classified in this place:



DATE: MAY 1, 2026

PROJECT MP12511

References

Delete: The entire Limiting references section.

Informative references

Insert: The following new row into the existing Informative references table.

Isolation chambers used for isolating individuals from external stimuli	A61M 21/0094
---	------------------------------

A47C 31/005

Definition statement

Insert: A period at the end of the Definition statement text so that it appears as follows.

Seating or laying furniture using aromatic materials, e.g. herbs.

References

Delete: The entire Limiting references section.

Insert: The following new Informative references section.

Informative references

Attention is drawn to the following places, which may be of interest for search:

Bed-covers, counterpanes, travelling rugs, sleeping rugs, sleeping bags or pillows comprising deodorising or fragrance releasing substance	A47G 9/007
--	----------------------------

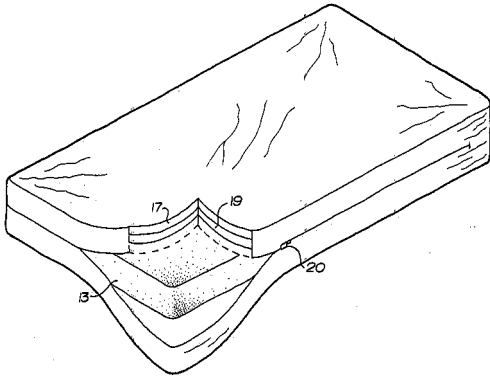
A47C 31/10

Definition statement

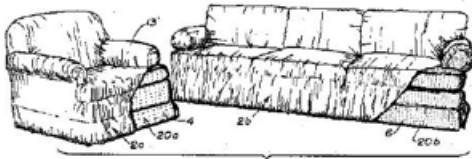
Replace: The Definition statement text and images with the revisions below. Delete the patent numbers under the images. The first image remains unchanged but is newly numbered.

Illustrative examples of subject matter classified in this place:

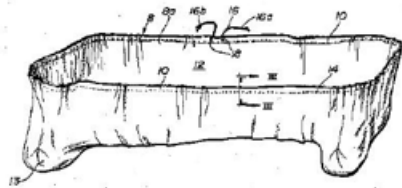
1.



2a.



2b.



References

Delete: The entire Limiting references section.

Insert: The following new Application-oriented references section.

Application-oriented references

Examples of places where the subject matter of this place is covered when specially adapted, used for a particular purpose, or incorporated in a larger system:

CPC NOTICE OF CHANGES 1899

DATE: MAY 1, 2026

PROJECT MP12511

Children's beds with bed-cover holders preventing babies from throwing off the bed cover	A47D 15/02
Seat covering for cars	B60N 2/58
Removable protective covers for car seats	B60N 2/60

Insert: The following new Informative references section.

Informative references

Attention is drawn to the following places, which may be of interest for search:

Removable or loose covers for chair headrests	A47C 7/386
Bed linen, blankets or counterpanes	A47G 9/02