

EUROPEAN PATENT OFFICE
U.S. PATENT AND TRADEMARK OFFICE

CPC NOTICE OF CHANGES 1896

DATE: MAY 1, 2026

PROJECT RP12292

The following classification changes will be effected by this Notice of Changes:

<u>Action</u>	<u>Subclass</u>	<u>Group(s)</u>
SCHEME:		
Symbols Deleted:	F25B	2327/001
Symbols New:	F25B	2313/0278
	F25B	2327/02, 2327/10, 2327/12
	F25B	2400/0421, 2400/0423, 2400/0425, 2400/0427, 2400/25, 2400/27
	F25B	2700/08, 2700/198, 2700/2118
Titles Changed:	F25B	2327/00
	F25B	2400/00, 2400/0401, 2400/0403, 2400/0405, 2400/0407, 2400/0409, 2400/0411, 2400/0413, 2400/0415, 2400/0417, 2400/0419, 2400/24
Warnings New:	F25B	2327/00, 2327/02, 2327/10, 2327/12
DEFINITIONS:		
Definitions Modified:	F25B	27/00

No other subclasses/groups are impacted by this Notice of Changes.

This Notice of Changes includes the following:

1. CLASSIFICATION SCHEME CHANGES

- A. New, Modified or Deleted Group(s)
- B. New, Modified or Deleted Warning(s)
- C. New, Modified or Deleted Note(s)
- D. New, Modified or Deleted Guidance Heading(s)

2. DEFINITIONS

- A. New or Modified Definitions (Full definition template)
- B. Modified or Deleted Definitions (Definitions Quick Fix)

- 3. REVISION CONCORDANCE LIST (RCL)
- 4. CHANGES TO THE CPC-TO-IPC CONCORDANCE LIST (CICL)
- 5. CHANGES TO THE CROSS-REFERENCE LIST (CRL)

CPC NOTICE OF CHANGES 1896

DATE: MAY 1, 2026

PROJECT RP12292

1. CLASSIFICATION SCHEME CHANGES

A. New, Modified or Deleted Group(s)**SUBCLASS F25B - REFRIGERATION MACHINES, PLANTS OR SYSTEMS; COMBINED HEATING AND REFRIGERATION SYSTEMS; HEAT PUMP SYSTEMS**

<u>Type*</u>	<u>Symbol</u>	<u>Indent Level</u> <u>Number of</u> <u>dots (e.g. 0,</u> <u>1, 2)</u>	<u>Title</u> <u>“CPC only” text should normally be</u> <u>enclosed in {curly brackets}**</u>	<u>Transferred to#</u>
U	F25B2313/0276	2	using six-way valves	
N	F25B2313/0278	2	using eight-way valves	
C	F25B2327/00	0	Compressor driving means	F25B2327/00, F25B2327/02, F25B2327/10
D	F25B2327/001	1	of the internal combustion type	<administrative transfer to F25B2327/12>
N	F25B2327/02	1	using multiple power sources	
N	F25B2327/10	1	using engines	
Q	F25B2327/12	2	using internal combustion engines	F25B2327/02, F25B2327/12
M	F25B2400/00	0	Component parts or details not otherwise provided for in this subclass	
U	F25B2400/04	1	Refrigeration circuit bypassing means	
M	F25B2400/0401	2	for compressors	
M	F25B2400/0403	2	for condensers	
M	F25B2400/0405	2	for desuperheaters	
M	F25B2400/0407	2	for ejectors	
M	F25B2400/0409	2	for evaporators	
M	F25B2400/0411	2	for expansion valves or capillary tubes	
M	F25B2400/0413	2	for filters or driers	
M	F25B2400/0415	2	for receivers	
M	F25B2400/0417	2	for subcoolers	
M	F25B2400/0419	2	for superheaters	
N	F25B2400/0421	2	for suction line accumulators	
N	F25B2400/0423	2	for economisers	
N	F25B2400/0425	2	for internal heat exchangers	
N	F25B2400/0427	2	for oil separators	
M	F25B2400/24	1	Thermal storage element	
N	F25B2400/25	1	Liquid pumps	
N	F25B2400/27	1	Water as refrigerant	
U	F25B2700/06	1	Piston positions of a compressor	
N	F25B2700/08	1	Vapour quality, i.e. the mass fraction of vapour in the liquid-vapour mixture	
U	F25B2700/197	2	of the evaporator	
N	F25B2700/198	2	Intermediate pressures	
U	F25B2700/21175	3	of the refrigerant at the outlet of the evaporator	

CPC NOTICE OF CHANGES 1896

DATE: MAY 1, 2026

PROJECT RP12292

<u>Type*</u>	<u>Symbol</u>	<u>Indent Level Number of dots (e.g. 0, 1, 2)</u>	<u>Title</u> <u>“CPC only” text should normally be enclosed in {curly brackets}**</u>	<u>Transferred to#</u>
N	F25B2700/2118	2	at an intermediate pressure position	

*N = new entries where reclassification into entries is involved; C = entries with modified file scope where reclassification of documents from the entries is involved; Q = new entries which are firstly populated with documents via administrative transfers from deleted (D) entries. Afterwards, the transferred documents into the Q entry will either stay or be moved to more appropriate entries, as determined by intellectual reclassification; T = existing entries with enlarged file scope, which receive documents from C or D entries, e.g. when a limiting reference is removed from the entry title; M = entries with no change to the file scope (no reclassification); D = deleted entries; F = frozen entries will be deleted once reclassification of documents from the entries is completed; U = entries that are unchanged.

NOTES:

- **No {curly brackets} are used for titles in CPC only subclasses, e.g. C12Y, A23Y; 2000 series symbol titles of groups found at the end of schemes (orthogonal codes); or the Y section titles. The {curly brackets} are used for 2000 series symbol titles found interspersed throughout the main trunk schemes (breakdown codes).
- U groups: it is obligatory to display the required “anchor” symbol (U group), i.e. the entry immediately preceding a new group or an array of new groups to be created (in case new groups are not clearly subgroups of C-type groups). Always include the symbol, indent level and title of the U group in the table above.
- All entry types should be included in the scheme changes table above for better understanding of the overall scheme change picture. Symbol, indent level, and title are required for all types.
- “Transferred to” column must be completed for all C, D, F, and Q type entries. F groups will be deleted once reclassification is completed.
- When multiple symbols are included in the “Transferred to” column, avoid using ranges of symbols in order to be as precise as possible.
- For administrative transfer of documents, the following text should be used: “<administrative transfer to XX>”, “<administrative transfer to XX and YY simultaneously>”, or “<administrative transfer to XX, YY, ...and ZZ simultaneously>” when administrative transfer of the same documents is to more than one place.
- Administrative transfer to main trunk groups is assumed to be the source allocation type, unless otherwise indicated.
- Administrative transfer to 2000/Y series groups is assumed to be “additional information”.
- If needed, instructions for allocation type should be indicated within the angle brackets using the abbreviations “ADD” or “INV”: <administrative transfer to XX ADD>, <administrative transfer to XX INV>, or <administrative transfer to XX ADD, YY INV, ... and ZZ ADD simultaneously>.
- In certain situations, the “D” entries of 2000-series or Y-series groups may not require a destination (“Transferred to”) symbol, however it is required to specify “<no transfer>” in the “Transferred to” column for such cases.
- For finalisation projects, the deleted “F” symbols should have <no transfer> in the “Transferred to” column.
- For more details about the types of scheme change, see CPC Guide.

CPC NOTICE OF CHANGES 1896

DATE: MAY 1, 2026

PROJECT RP12292

B. New, Modified or Deleted Warning(s)

SUBCLASS F25B - REFRIGERATION MACHINES, PLANTS OR SYSTEMS; COMBINED HEATING AND REFRIGERATION SYSTEMS; HEAT PUMP SYSTEMS

<u>Type*</u>	<u>Location</u>	<u>Old Warning</u>	<u>New/Modified Warning</u>
N	F25B2327/00		Group F25B2327/00 is impacted by reclassification into groups F25B2327/02 and F25B2327/10. Groups F25B2327/00, F25B2327/02 and F25B2327/10 should be considered in order to perform a complete search.
N	F25B2327/02		Group F25B2327/02 is incomplete pending reclassification of documents from groups F25B2327/00 and F25B2327/12. Groups F25B2327/00, F25B2327/12 and F25B2327/02 should be considered in order to perform a complete search.
N	F25B2327/10		Group F25B2327/10 is incomplete pending reclassification of documents from group F25B2327/00. Groups F25B2327/00 and F25B2327/10 should be considered in order to perform a complete search.
N	F25B2327/12		Group F25B2327/12 is impacted by reclassification into group F25B2327/02. Groups F25B2327/12 and F25B2327/02 should be considered in order to perform a complete search.

*N = new warning, M = modified warning, D = deleted warning

NOTE: The "Location" column only requires the symbol PRIOR to the location of the warning. No further directions such as "before" or "after" are required.

2. A. DEFINITIONS (Modified)

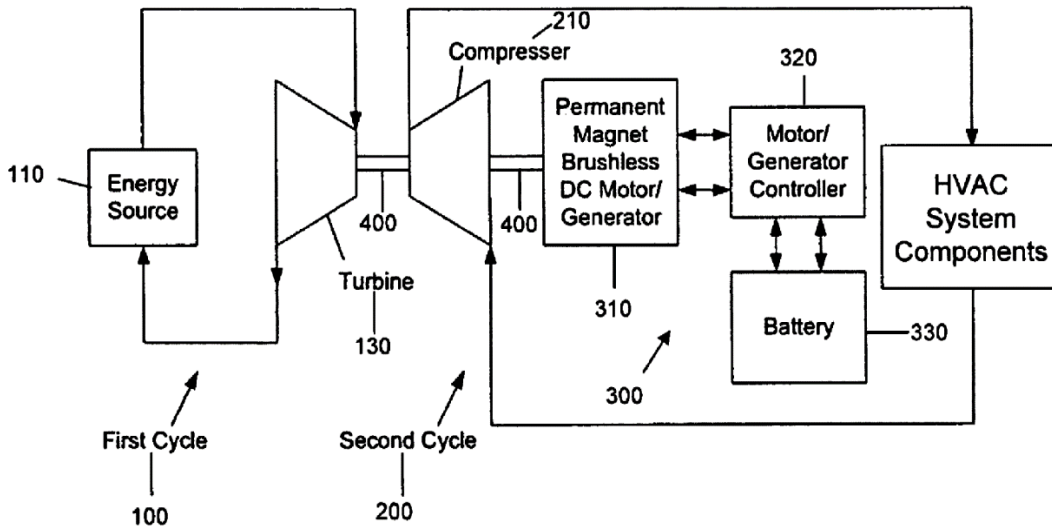
F25B27/00

Definition statement

Replace: The existing Definition statement with the following updated text and image.

Machines, plants or systems, using particular sources of energy, i.e. driven by particular sources of energy.

Illustrated example of subject matter classified in this place:



References

Informative references

Replace: The existing Informative references table with the following updated table.

Compressor driving means	F25B2327/00
--------------------------	-------------

CPC NOTICE OF CHANGES 1896

DATE: MAY 1, 2026

PROJECT RP12292

Solar heat collectors specially adapted for particular uses or environments	F24S20/00
---	-----------

Delete: The entire Special rules section.

CPC NOTICE OF CHANGES 1896

DATE: MAY 1, 2026

PROJECT RP12292

3. REVISION CONCORDANCE LIST (RCL)

<u>Type*</u>	<u>From CPC Symbol (existing)</u>	<u>To CPC Symbol(s)</u>
C	F25B2327/00	F25B2327/00, F25B2327/02, F25B2327/10
D	F25B2327/001	<administrative transfer to F25B2327/12>
Q	F25B2327/12	F25B2327/02, F25B2327/12

* C = entries with modified file scope where reclassification of documents from the entries is involved; Q = new entries which are firstly populated with documents via administrative transfers from deleted (D) entries. Afterwards, the transferred documents into the Q entry will either stay or be moved to more appropriate entries, as determined by intellectual reclassification; D = deleted entries; F = frozen entries will be deleted once reclassification of documents from the entries is completed.

NOTES:

- Only C, D, F and Q type entries are included in the table above.
- When multiple symbols are included in the "To" column, do not use ranges of symbols.
- For administrative transfer of documents, the following text should be used: "<administrative transfer to XX>", "<administrative transfer to XX and YY simultaneously>", or "<administrative transfer to XX, YY, ...and ZZ simultaneously>" when administrative transfer of the same documents is to more than one place.
- Administrative transfer to main trunk groups is assumed to be the source allocation type, unless otherwise indicated.
- Administrative transfer to 2000/Y series groups is assumed to be "additional information".
- If needed, instructions for allocation type should be indicated within the angle brackets using the abbreviations "ADD" or "INV": <administrative transfer to XX ADD>, <administrative transfer to XX INV>, or <administrative transfer to XX ADD, YY INV, ... and ZZ ADD simultaneously>.
- In certain situations, the "D" entries of 2000-series or Y-series groups may not require a destination ("To") symbol, however it is required to specify "<no transfer>" in the "To" column for such cases.
- RCL is not needed for finalization projects.

CPC NOTICE OF CHANGES 1896

DATE: MAY 1, 2026

PROJECT RP12292

4. CHANGES TO THE CPC-TO-IPC CONCORDANCE LIST (CICL)

<u>CPC</u>	<u>IPC</u>	<u>Action*</u>
F25B2313/0278	CPCONLY	NEW
F25B2327/001	CPCONLY	DELETE
F25B2327/02	CPCONLY	NEW
F25B2327/10	CPCONLY	NEW
F25B2327/12	CPCONLY	NEW
F25B2400/0421	CPCONLY	NEW
F25B2400/0423	CPCONLY	NEW
F25B2400/0425	CPCONLY	NEW
F25B2400/0427	CPCONLY	NEW
F25B2400/25	CPCONLY	NEW
F25B2400/27	CPCONLY	NEW
F25B2700/08	CPCONLY	NEW
F25B2700/198	CPCONLY	NEW
F25B2700/2118	CPCONLY	NEW

*Action column:

- For an (N) or (Q) entry, provide an IPC symbol and complete the Action column with "NEW."
- For an existing CPC main trunk entry or indexing entry where the existing IPC symbol needs to be changed, provide an updated IPC symbol and complete the Action column with "UPDATED."
- For a (D) CPC entry or indexing entry complete the Action column with "DELETE." IPC symbol does not need to be included in the IPC column.
- For an (N) 2000 series CPC entry which is positioned within the main trunk scheme (breakdown code) provide an IPC symbol and complete the action column with "NEW".
- For an (N) 2000 series CPC entry positioned at the end of the CPC scheme (orthogonal code), with no IPC equivalent, complete the IPC column with "CPCONLY" and complete the action column with "NEW".

NOTES:

- F symbols are not included in the CICL table above.
- T and M symbols are not included in the CICL table above unless a change to the existing IPC is desired.