

EUROPEAN PATENT OFFICE
U.S. PATENT AND TRADEMARK OFFICE

CPC NOTICE OF CHANGES 1578

DATE: JANUARY 1, 2024

PROJECT RP12203

The following classification changes will be effected by this Notice of Changes:

<u>Action</u>	<u>Subclass</u>	<u>Group(s)</u>
SCHEME:		
Symbols Deleted:	B64D	2027/026, 27/26, 2027/262, 2027/264, 2027/266, 2027/268
	B64D	2211/00
Symbols New:	B64D	27/026, 27/30, 27/31, 27/32, 27/33, 27/34, 27/35, 27/351, 27/353, 27/355, 27/357, 27/359, 27/40, 27/402, 27/404, 27/406
	B64D	31/09, 31/16, 31/18
	B64D	35/021, 35/022, 35/023, 35/024, 35/025, 35/026
Titles Changed:	B64D	SUBCLASS
	B64D	27/00, 27/02, 27/06, 27/08, 27/10, 27/12, 27/14, 27/18, 27/20, 27/24
	B64D	31/00, 31/08, 31/10
	B64D	35/00, 35/02
Indents Changed:	B64D	31/10
Warnings New:	B64D	27/02, 27/026, 27/24, 27/30, 27/33, 27/353, 27/357, 27/359, 27/40, 27/402, 27/404, 27/406
	B64D	31/00, 31/06, 31/09, 31/16
	B64D	35/02, 35/021, 35/026
	B64U	50/31
Warnings Modified:	B64U	50/30
DEFINITIONS:		
Definitions Deleted: (no frozen (F) symbol definitions should be deleted)	B64D	27/26
Definitions New:	B64D	27/24, 27/40, 31/00, 31/08, 31/16, 35/00
Definitions Modified:	B64C	1/16, 3/32, 27/14
Definitions Modified	B64D	Subclass
Definitions Modified	B64D	27/00, 27/02, 27/10, 27/16

No other subclasses/groups are impacted by this Notice of Changes.

CPC NOTICE OF CHANGES 1578

DATE: JANUARY 1, 2024

PROJECT RP12203

This Notice of Changes includes the following *[Check the ones included]:*

1. CLASSIFICATION SCHEME CHANGES

- A. New, Modified or Deleted Group(s)
- B. New, Modified or Deleted Warning(s)
- C. New, Modified or Deleted Note(s)
- D. New, Modified or Deleted Guidance Heading(s)

2. DEFINITIONS

- A. New or Modified Definitions (Full definition template)
- B. Modified or Deleted Definitions (Definitions Quick Fix)

3. REVISION CONCORDANCE LIST (RCL)

4. CHANGES TO THE CPC-TO-IPC CONCORDANCE LIST (CICL)

5. CHANGES TO THE CROSS-REFERENCE LIST (CRL)

CPC NOTICE OF CHANGES 1578

DATE: JANUARY 1, 2024

PROJECT RP12203

1. CLASSIFICATION SCHEME CHANGES

A. New, Modified or Deleted Group(s)

SUBCLASS B64D - EQUIPMENT FOR FITTING IN OR TO AIRCRAFT; FLIGHT SUITS; PARACHUTES; ARRANGEMENT OR MOUNTING OF POWER PLANTS OR PROPULSION TRANSMISSIONS IN AIRCRAFT

<u>Type*</u>	<u>Symbol</u>	<u>Indent Level Number of dots (e.g. 0, 1, 2)</u>	<u>Title</u> “CPC only” text should normally be enclosed in {curly brackets}**	<u>Transferred to#</u>
M	B64D	Subclass	EQUIPMENT FOR FITTING IN OR TO AIRCRAFT; FLIGHT SUITS; PARACHUTES; ARRANGEMENT OR MOUNTING OF POWER PLANTS OR PROPULSION TRANSMISSIONS IN AIRCRAFT	
M	B64D27/00	0	Arrangement or mounting of power plants in aircraft; Aircraft characterised by the type or position of power plants	
C	B64D27/02	1	Aircraft characterised by the type or position of power plants (fuselages specially adapted for mounting power plants B64C1/16; wings specially adapted for power plants B64C3/32)	B64D27/02, B64D27/026, B64D27/33, B64D27/357, B64D27/359, B64D31/16, B64D31/18, B64D35/021, B64D35/022, B64D35/023, B64D35/024, B64D35/025
D	B64D2027/026	2	{comprising different types of power plants, e.g. combination of an electric motor and a gas-turbines}	<administrative transfer to B64D27/026 INV>
N	B64D27/026	2	{comprising different types of power plants, e.g. combination of a piston engine and a gas-turbine (Hybrid electric aircraft B64D27/33)}	
U	B64D27/04	2	of piston type	
M	B64D27/06	3	within, or attached to, wings	
M	B64D27/08	3	within, or attached to, fuselages	
M	B64D27/10	2	of gas-turbine type (jet aircraft B64D27/16)	
M	B64D27/12	3	within, or attached to, wings	
M	B64D27/14	3	within, or attached to, fuselages	
U	B64D27/16	2	of jet type	
M	B64D27/18	3	within, or attached to, wings	
M	B64D27/20	3	within, or attached to, fuselages	
C	B64D27/24	2	using steam or spring force (jet aircraft B64D27/16)	B64D27/24, B64D27/30, B64D27/31, B64D27/32, B64D27/33, B64D27/34,

CPC NOTICE OF CHANGES 1578

DATE: JANUARY 1, 2024

PROJECT RP12203

				B64D27/35, B64D27/351, B64D27/353, B64D27/355, B64D27/357, B64D27/359, B64D31/16, B64D31/18, B64D35/021, B64D35/022, B64D35/023, B64D35/024, B64D35/025
D	B64D27/26	1	Aircraft characterised by construction of power-plant mounting	<administrative transfer to B64D27/40>
D	B64D2027/262	2	{Engine support arrangements or elements}	<administrative transfer to B64D27/40 INV>
D	B64D2027/264	3	{comprising box like supporting frames}	<administrative transfer to B64D27/402 INV>
D	B64D2027/266	3	{comprising suspension arrangements for supporting vertical loads}	<administrative transfer to B64D27/404 INV>
D	B64D2027/268	3	{comprising thrust links}	<administrative transfer to B64D27/406 INV>
N	B64D27/30	2	Aircraft characterised by electric power plants	
N	B64D27/31	3	within, or attached to, wings	
N	B64D27/32	3	within, or attached to, fuselages	
N	B64D27/33	3	Hybrid electric aircraft	
N	B64D27/34	3	All-electric aircraft	
N	B64D27/35	3	Arrangements for on-board electric energy production, distribution, recovery or storage	
N	B64D27/351	4	using energy recovery	
Q	B64D27/353	4	using solar cells	B64D27/353, B64U 50/31
N	B64D27/355	4	using fuel cells	
N	B64D27/357	4	using batteries	
N	B64D27/359	4	using capacitors	
Q	B64D27/40	1	Arrangements for mounting power plants in a aircraft	B64D27/40, B64D27/402, B64D27/404, B64D27/406
N	B64D27/402	2	{comprising box like supporting frames, e.g. pylons or arrangements for embracing the power plant}	
N	B64D27/404	2	{Suspension arrangements specially adapted for supporting vertical loads}	
N	B64D27/406	2	{Suspension arrangements specially adapted for supporting thrust loads, e.g. thrust links}	
C	B64D31/00	0	Power plant control systems; Arrangement of power plant control systems in a aircraft	B64D31/00, B64D31/16, B64D31/18
U	B64D31/02	1	Initiating means	
C	B64D31/06	2	actuated automatically	B64D31/06, B64D31/09
M	B64D31/08	3	for keeping cruising speed constant	
N	B64D31/09	3	in response to power plant failure	
M	B64D31/10	4	for preventing asymmetric thrust	
U	B64D31/14	1	Transmitting means between initiating means and power plants	
N	B64D31/16	1	for electric power plants	

CPC NOTICE OF CHANGES 1578

DATE: JANUARY 1, 2024

PROJECT RP12203

N	B64D31/18	2	for hybrid-electric power plants	
M	B64D35/00	0	Transmitting power from power plants to propellers or rotors; Arrangements of transmissions	
C	B64D35/02	1	speciall y adapted for specific power plants	B64D35/02, B64D35/021, B64D35/022, B64D35/023, B64D35/024, B64D35/025, B64D35/026
N	B64D35/021	2	for electric power plants	
N	B64D35/022	3	of hybrid-electric type	
N	B64D35/023	4	of series-parallel type	
N	B64D35/024	4	of series type	
N	B64D35/025	4	of parallel type	
N	B64D35/026	3	the electric power plant being integral with the propeller or rotor	
D	B64D2211/00	0	Arrangements of solar panels on a aircraft	<administrative transfer to B64D27/353 INV>

*N = new entries where reclassification into entries is involved; C = entries with modified file scope where reclassification of documents from the entries is involved; Q = new entries which are firstly populated with documents via administrative transfers from deleted (D) entries. Afterwards, the transferred documents into the Q entry will either stay or be moved to more appropriate entries, as determined by intellectual reclassification; T = existing entries with enlarged file scope, which receive documents from C or D entries, e.g. when a limiting reference is removed from the entry title; M = entries with no change to the file scope (no reclassification); D = deleted entries; F = frozen entries will be deleted once reclassification of documents from the entries is completed; U = entries that are unchanged.

NOTES:

- **No {curly brackets} are used for titles in CPC only subclasses, e.g. C12Y, A23Y; 2000 series symbol titles of groups found at the end of schemes (orthogonal codes); or the Y section titles. The {curly brackets} are used for 2000 series symbol titles found interspersed throughout the main trunk schemes (breakdown codes).
- U groups: it is obligatory to display the required “anchor” symbol (U group), i.e. the entry immediately preceding a new group or an array of new groups to be created (in case new groups are not clearly subgroups of C-type groups). Always include the symbol, indent level and title of the U group in the table above.
- All entry types should be included in the scheme changes table above for better understanding of the overall scheme change picture. Symbol, indent level, and title are required for all types.
- “Transferred to” column must be completed for all C, D, F, and Q type entries. F groups will be deleted once reclassification is completed.
- When multiple symbols are included in the “Transferred to” column, avoid using ranges of symbols in order to be as precise as possible.
- For administrative transfer of documents, the following text should be used: “<administrative transfer to XX>”, “<administrative transfer to XX and YY simultaneously>”, or “<administrative transfer to XX, YY, ...and ZZ simultaneously>” when administrative transfer of the same documents is to more than one place.
- Administrative transfer to main trunk groups is assumed to be the source allocation type, unless otherwise indicated.
- Administrative transfer to 2000/Y series groups is assumed to be “additional information”.
- If needed, instructions for allocation type should be indicated within the angle brackets using the abbreviations “ADD” or “INV”: <administrative transfer to XX ADD>, <administrative transfer to XX INV>, or <administrative transfer to XX ADD, YY INV, ... and ZZ ADD simultaneously>.
- In certain situations, the “D” entries of 2000-series or Y-series groups may not require a destination (“Transferred to”) symbol, however it is required to specify “<no transfer>” in the “Transferred to” column for such cases.

CPC NOTICE OF CHANGES 1578

DATE: JANUARY 1, 2024

PROJECT RP12203

- For finalization projects, the deleted “F” symbols should have <no transfer> in the “Transferred to” column.
- For more details about the types of scheme change, see CPC Guide.

CPC NOTICE OF CHANGES 1578

DATE: JANUARY 1, 2024

PROJECT RP12203

B. New, Modified or Deleted Warning notice(s)

SUBCLASS B64D - EQUIPMENT FOR FITTING IN OR TO AIRCRAFT; FLIGHT SUITS; PARACHUTES; ARRANGEMENT OR MOUNTING OF POWER PLANTS OR PROPULSION TRANSMISSIONS IN AIRCRAFT

Type*	Location	Old Warning notice	New/Modified Warning
N	B64D 27/02		Group B64D 27/02 is impacted by reclassification into groups B64D 27/026, B64D 27/33, B64D 27/357, B64D 27/359, B64D 31/16, B64D 31/18 and B64D 35/021 - B64D 35/025. All groups listed in this Warning should be considered in order to perform a complete search.
N	B64D 27/026		Group B64D 27/026 is incomplete pending reclassification of documents from group B64D 27/02. Groups B64D 27/026 and B64D 27/02 should be considered in order to perform a complete search.
N	B64D 27/24		Group B64D 27/24 is impacted by reclassification into groups B64D 27/30, B64D 27/31, B64D 27/32, B64D 27/33, B64D 27/34, B64D 27/35, B64D 27/351, B64D 27/353, B64D 27/355, B64D 27/357, B64D 27/359, B64D 31/16, B64D 31/18 and B64D 35/021 - B64D 35/025. All groups listed in this Warning should be considered in order to perform a complete search.
N	B64D 27/30		Groups B64D 27/30, B64D 27/31, B64D 27/32, B64D 27/34, B64D 27/35, B64D 27/351 and B64D 27/355 are incomplete pending reclassification of documents from group B64D 27/24. All groups listed in this Warning should be considered in order to perform a complete search.
N	B64D 27/33		Group B64D 27/33 is incomplete pending reclassification of documents from groups B64D 27/02 and B64D 27/24. Groups B64D 27/33, B64D 27/02 and B64D 27/24 should be considered in order to perform a complete search.
N	B64D 27/353		Group B64D 27/353 is incomplete pending reclassification of documents from group B64D 27/24. Group B64D 27/353 is also impacted by reclassification into group B64U 50/31. Groups B64D 27/353, B64D 27/24 and B64U 50/31 should be considered in order to perform a complete search.
N	B64D 27/357		Group B64D 27/357 is incomplete pending reclassification of documents from groups B64D 27/02 and B64D 27/24. Groups B64D 27/357, B64D 27/02, B64D 27/24 should be considered in order to perform a complete search.
N	B64D 27/359		Group B64D 27/359 is incomplete pending reclassification of documents from groups B64D 27/02 and B64D 27/24. Groups B64D 27/359, B64D 27/02 and B64D 27/24 should be considered in order to perform a complete search.
N	B64D 27/40		Group B64D 27/40 is impacted by reclassification into groups B64D 27/402, B64D 27/404 and B64D 27/406. All groups listed in this Warning should be considered in order to perform a complete search.

CPC NOTICE OF CHANGES 1578

DATE: JANUARY 1, 2024

PROJECT RP12203

N	B64D27/402		Group B64D27/402 is incomplete pending reclassification of documents from group B64D27/40. Groups B64D27/402 and B64D27/40 should be considered in order to perform a complete search.
N	B64D27/404		Group B64D27/404 is incomplete pending reclassification of documents from group B64D27/40. Groups B64D27/404 and B64D27/40 should be considered in order to perform a complete search.
N	B64D27/406		Group B64D27/406 is incomplete pending reclassification of documents from group B64D27/40. Groups B64D27/406 and B64D27/40 should be considered in order to perform a complete search.
N	B64D31/00		Group B64D31/00 is impacted by reclassification into groups B64D31/16 and B64D31/18. Groups B64D31/00, B64D31/16 and B64D31/18 should be considered in order to perform a complete search.
N	B64D31/06		Group B64D31/06 is impacted by reclassification into group B64D31/09. Groups B64D31/06 and B64D31/09 should be considered in order to perform a complete search.
N	B64D31/09		Group B64D31/09 is incomplete pending reclassification of documents from group B64D31/06. Groups B64D31/09 and B64D31/06 should be considered in order to perform a complete search.
N	B64D31/16		Groups B64D31/16 and B64D31/18 are incomplete pending reclassification of documents from groups B64D27/02, B64D27/24 and B64D31/00. All groups listed in this Warning should be considered in order to perform a complete search.
N	B64D35/02		Group B64D35/02 is impacted by reclassification into groups B64D35/021, B64D35/022, B64D35/023, B64D35/024, B64D35/025 and B64D35/026. All groups listed in this Warning should be considered in order to perform a complete search.
N	B64D35/021		Groups B64D35/021, B64D35/022, B64D35/023, B64D35/024 and B64D35/025 are incomplete pending reclassification of documents from groups B64D27/02, B64D27/24 and B64D35/02. All groups listed in this Warning should be considered in order to perform a complete search.
N	B64D35/026		Group B64D35/026 is incomplete pending reclassification of documents from group B64D35/02. Groups B64D35/026 and B64D35/02 should be considered in order to perform a complete search.
M	B64U50/30		Groups B64U50/30, B64U50/32 and B64U50/33 are incomplete pending reclassification of documents from groups B64C1/00, B64C1/0009, B64C1/06, B64C1/061, B64C1/062, B64C1/063, B64C1/064, B64C1/065, B64C1/068, B64C1/069, B64C27/08, B64C27/10, B64C27/20, B64C39/00, B64C39/001, B64C39/003, B64C39/005, B64C39/006, B64C39/008, B64C39/02, B64C39/024, B64C39/029, B64U10/00, B64U50/00 and B64U50/19.

CPC NOTICE OF CHANGES 1578

DATE: JANUARY 1, 2024

PROJECT RP12203

			All groups listed in this Warning should be considered in order to perform a complete search.
N	B64U 50/31		Group B64U 50/31 is incomplete pending reclassification of documents from groups B64C 1/00, B64C 1/0009, B64C 1/06, B64C 1/061, B64C 1/062, B64C 1/063, B64C 1/064, B64C 1/065, B64C 1/068, B64C 1/069, B64C 27/08, B64C 27/10, B64C 27/20, B64C 39/00, B64C 39/001, B64C 39/003, B64C 39/005, B64C 39/006, B64C 39/008, B64C 39/02, B64C 39/024, B64C 39/029, B64U 10/00, B64U 50/00, B64U 50/19 and B64D 27/353. All groups listed in this Warning should be considered in order to perform a complete search.

*N = new warning, M = modified warning, D = deleted warning

NOTE: The "Location" column only requires the symbol PRIOR to the location of the warning. No further directions such as "before" or "after" are required.

DATE: JANUARY 1, 2024

PROJECT RP12203

2. A. DEFINITIONS (new)

B64D 27/24

References

Limiting references

This place does not cover:

Jet aircraft	B64D 27/16
--------------	----------------------------

B64D 27/40

Definition statement

This place covers:

Devices and arrangements for mounting power plants to aircraft wings, fuselages or the like, e.g. elastomeric joints for mounting power plants.

References

Informative references

Attention is drawn to the following places, which may be of interest for search:

Frames and supporting elements for piston engines	F01C 21/007
Mounting arrangements for non-displacement engines, e.g. for turbine casings	F01D 25/28
Mounting of gas turbines	F02C 7/20

DATE: JANUARY 1, 2024

PROJECT RP12203

B64D 31/00

Relationships with other classification places

Control specific to combustion engines or components thereof is classified in F02.

References

Informative references

Attention is drawn to the following places, which may be of interest for search:

Aeroplane control systems for actuating flying-control surfaces	B64C 13/00
Mechanisms for controlling blade adjustment or movement relative to rotor head in rotorcraft	B64C 27/54

B64D 31/08

References

Informative references

Attention is drawn to the following places, which may be of interest for search:

Propeller blade pitch-changing mechanisms characterised by being influenced by power plant control systems	B64C 11/305
--	-----------------------------

CPC NOTICE OF CHANGES 1578

DATE: JANUARY 1, 2024

PROJECT RP12203

B64D 31/16

References

Informative references

Attention is drawn to the following places, which may be of interest for search:

Control of electric motors	H02P
----------------------------	----------------------

B64D 35/00

References

Informative references

Attention is drawn to the following places, which may be of interest for search:

Propellers	B64C 11/00
Helicopter transmissions	B64C 27/12
Rotors	B64C 27/32

2. A. DEFINITIONS (modified)

B64C 1/16

References

Informative references

Replace: The last (fourth) row of the Informative references table with the following revised row:

Arrangements for mounting power plants in aircraft	B64D27/40
--	---------------------------

B64C 3/32

Delete: The entire Relationships with other classification places section.

Insert: The following new Informative references section:

Informative references

Attention is drawn to the following places, which may be of interest for search:

Aircraft characterised by piston-type power plant within, or attached to, wings	B64D 27/06
Aircraft characterised by gas turbine-type power plant within, or attached to, wings	B64D 27/12
Aircraft characterised by turbofan or turbojet power plant within, or attached to, wings	B64D 27/18
Arrangements for mounting power plants in aircraft	B64D 27/40

B64C 27/14

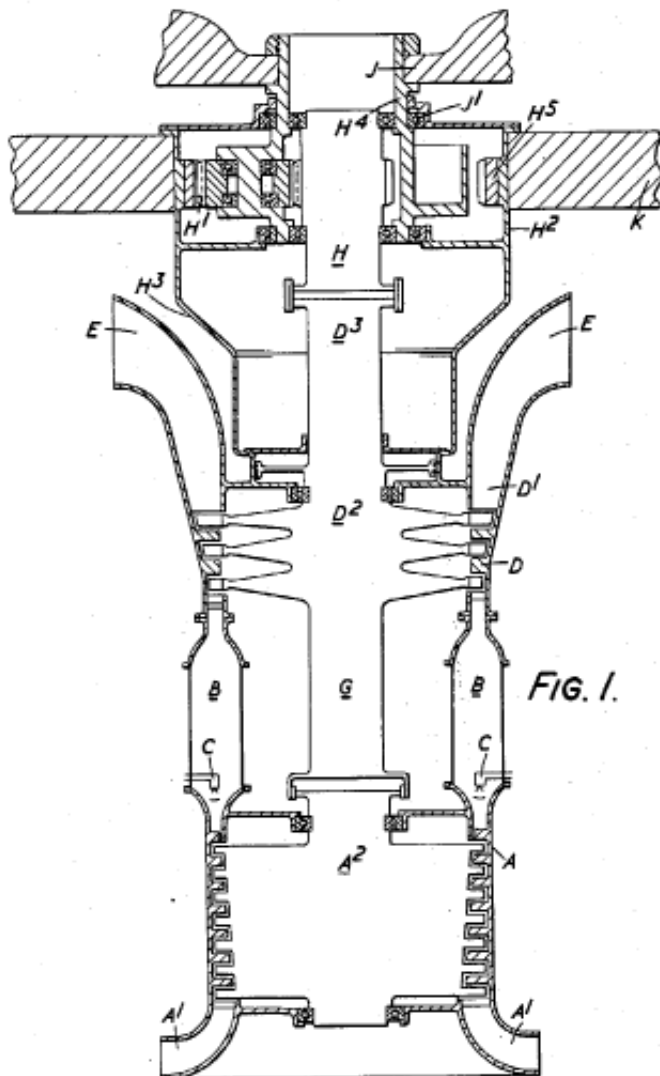
Definition statement

Insert: The numbering "1." and "2." respectively in front of the existing illustrations so that the Definition statement appears as follows:

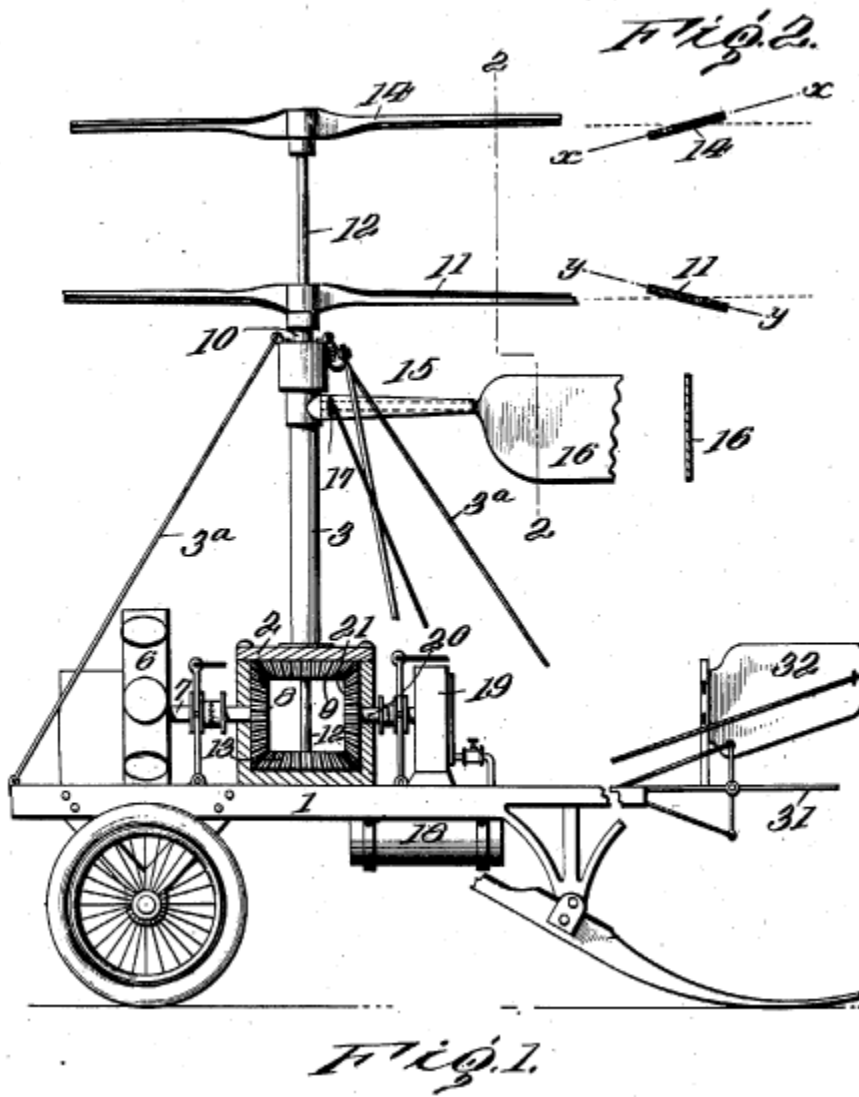
Drives which transfer motor output to the rotors at a generally 1:1 ratio.

Illustrative examples of subject matter classified in this group:

1.



2.



DATE: JANUARY 1, 2024

PROJECT RP12203

Delete: The entire Relationships with other classification places section.

Insert: The following new Informative references section:

Informative references

Attention is drawn to the following places, which may be of interest for search:

Power transmission to rotor by electric power plant integral with rotor	B64D 35/026
--	-------------

B64D

Definition statement

Replace: The existing Definition statement text with the following revised text:

- Dropping, ejecting, releasing or receiving articles in flight;
- Arrangements of military equipment;
- Equipment for handling freight;
- Flight suits;
- Passenger or crew accommodation; arrangements of seats;
- Air-treatment;
- De-icing;
- Parachutes;
- Emergency apparatus;
- Mounting power plant in aircraft, nacelles fairings, arrangement of power plants;
- Power plant control;
- Transmitting power from power plants to propellers or rotors;
- Fuel supply;
- Fuel tanks;
- Refuelling during flight;
- Arrangements of instruments;
- Indicators.

DATE: JANUARY 1, 2024

PROJECT RP12203

B64D 27/00

Delete: The entire Definition statement.

References

Informative references

Replace: The existing Informative references table with the following revised table:

Attitude, flight direction or altitude control of aircraft by jet reaction	B64C 15/00
Propulsion or power supply in UAVs	B64U 50/00

Delete: The entire Special rules of classification section.

B64D 27/02

Definition statement

Replace: The existing Definition statement text with the following revised text:

Aircraft characterised by particular disposition or arrangement of power plants.

Aircraft characterised by the type of power plants.

References

Insert: The following new Limiting references section:

Limiting references

This place does not cover:

Fuselages adapted for mounting power plants	B64C 1/16
Wings adapted for power plants	B64C 3/32

DATE: JANUARY 1, 2024

PROJECT RP12203

Informative references

Replace: The existing Informative references table with the following revised table:

Drive of rotors by means, e.g. propellers, mounted on rotor blades	B64C 27/16
--	----------------------------

B64D 27/10

Definition statement

Replace: The existing Definition statement text with the following revised text:

Aircraft with power plants characterised by the use of gas turbines with negligible thrust from the turbine exhaust, e.g. by using turboshaft or turboprop powerplants.

Insert: The following new References/Limiting references/Informative references sections:

References

Limiting references

This place does not cover:

Jet aircraft	B64D 27/16
--------------	----------------------------

Informative references

Attention is drawn to the following places, which may be of interest for search:

Hybrid electric aircraft	B64D 27/33
Auxiliary power units [APUs]	B64D 41/00

DATE: JANUARY 1, 2024

PROJECT RP12203

B64D27/16

Definition statement

Replace: The existing Definition statement text with the following revised text:

Aircraft with power plants characterised by the use of exhaust jets for thrust, e.g. by using turbojet, turbofan, propfan or ramjet powerplants.

CPC NOTICE OF CHANGES 1578

DATE: JANUARY 1, 2024

PROJECT RP12203

2. B. DEFINITIONS QUICK FIX

Symbol	Location of change (e.g., section title)	Existing reference symbol or text	Action; New symbol; New text
B64D 27/26			<u>Delete</u> : The entire Definition.

Notes:

Use this Definitions Quick Fix (DQF) table to:

- Delete an entire definition
- Delete an entire section
- Change a reference symbol
- Delete a reference symbol
- Delete text in a References section
- Correct one error in spelling, article use, or verb tense

Otherwise, use the standard template.

Reminder: Never delete F symbol definitions.

CPC NOTICE OF CHANGES 1578

DATE: JANUARY 1, 2024

PROJECT RP12203

3. REVISION CONCORDANCE LIST (RCL)

Type*	From CPC Symbol (existing)	To CPC Symbol(s)
C	B64D 27/02	B64D 27/02, B64D 27/026, B64D 27/33, B64D 27/357, B64D 27/359, B64D 31/16, B64D 31/18, B64D 35/021, B64D 35/022, B64D 35/023, B64D 35/024, B64D 35/025
D	B64D 2027/026	<administrative transfer to B64D 27/026 INV>
C	B64D 27/24	B64D 27/24, B64D 27/30, B64D 27/31, B64D 27/32, B64D 27/33, B64D 27/34, B64D 27/35, B64D 27/351, B64D 27/353, B64D 27/355, B64D 27/357, B64D 27/359, B64D 31/16, B64D 31/18, B64D 35/021, B64D 35/022, B64D 35/023, B64D 35/024, B64D 35/025
D	B64D 27/26	<administrative transfer to B64D 27/40>
D	B64D 2027/262	<administrative transfer to B64D 27/40 INV>
D	B64D 2027/264	<administrative transfer to B64D 27/402 INV>
D	B64D 2027/266	<administrative transfer to B64D 27/404 INV>
D	B64D 2027/268	<administrative transfer to B64D 27/406 INV>
Q	B64D 27/353	B64D 27/353, B64U 50/31
Q	B64D 27/40	B64D 27/40, B64D 27/402, B64D 27/404, B64D 27/406
C	B64D 31/00	B64D 31/00, B64D 31/16, B64D 31/18
C	B64D 31/06	B64D 31/06, B64D 31/09
C	B64D 35/02	B64D 35/02, B64D 35/021, B64D 35/022, B64D 35/023, B64D 35/024, B64D 35/025, B64D 35/026
D	B64D 2211/00	<administrative transfer to B64D 27/353 INV>

* C = entries with modified file scope where reclassification of documents from the entries is involved; Q = new entries which are firstly populated with documents via administrative transfers from deleted (D) entries. Afterwards, the transferred documents into the Q entry will either stay or be moved to more appropriate entries, as determined by intellectual reclassification; D = deleted entries; F = frozen entries will be deleted once reclassification of documents from the entries is completed.

NOTES:

- **Only** C, D, F, and Q type entries are included in the table above.
- When multiple symbols are included in the “To” column, do not use ranges of symbols.
- For administrative transfer of documents, the following text should be used: “< administrative transfer to XX>”, “<administrative transfer to XX and YY simultaneously>”, or “<administrative transfer to XX, YY, ...and ZZ simultaneously>” when administrative transfer of the same documents is to more than one place.
- Administrative transfer to main trunk groups is assumed to be the source allocation type, unless otherwise indicated.
- Administrative transfer to 2000/Y series groups is assumed to be “additional information”.
- If needed, instructions for allocation type should be indicated within the angle brackets using the abbreviations “ADD” or “INV”: <administrative transfer to XX ADD>, <administrative transfer to XX INV>, or < administrative transfer to XX ADD, YY INV, ... and ZZ ADD simultaneously>.
- In certain situations, the “D” entries of 2000-series or Y-series groups may not require a destination (“To”) symbol, however it is required to specify “<no transfer>” in the “To” column for such cases.
- RCL is not needed for finalisation projects.

CPC NOTICE OF CHANGES 1578

DATE: JANUARY 1, 2024

PROJECT RP12203

4. CHANGES TO THE CPC-TO-IPC CONCORDANCE LIST (CICL)

<u>CPC</u>	<u>IPC</u>	<u>Action*</u>
B64D 2027/026		DELETE
B64D 27/026	B64D 27/02	NEW
B64D 27/26		DELETE
B64D 2027/262		DELETE
B64D 2027/264		DELETE
B64D 2027/266		DELETE
B64D 2027/268		DELETE
B64D 27/30	B64D 27/30	NEW
B64D 27/31	B64D 27/31	NEW
B64D 27/32	B64D 27/32	NEW
B64D 27/33	B64D 27/33	NEW
B64D 27/34	B64D 27/34	NEW
B64D 27/35	B64D 27/35	NEW
B64D 27/351	B64D 27/351	NEW
B64D 27/353	B64D 27/353	NEW
B64D 27/355	B64D 27/355	NEW
B64D 27/357	B64D 27/357	NEW
B64D 27/359	B64D 27/359	NEW
B64D 27/40	B64D 27/40	NEW
B64D 27/402	B64D 27/40	NEW
B64D 27/404	B64D 27/40	NEW
B64D 27/406	B64D 27/40	NEW
B64D 31/09	B64D 31/09	NEW
B64D 31/16	B64D 31/16	NEW
B64D 31/18	B64D 31/18	NEW
B64D 35/021	B64D 35/021	NEW
B64D 35/022	B64D 35/022	NEW
B64D 35/023	B64D 35/023	NEW
B64D 35/024	B64D 35/024	NEW
B64D 35/025	B64D 35/025	NEW
B64D 35/026	B64D 35/026	NEW
B64D 2211/00		DELETE

* Action column:

- For an (N) or (Q) entry, provide an IPC symbol and complete the Action column with “NEW.”
- For an existing CPC main trunk entry or indexing entry where the existing IPC symbol needs to be changed, provide an updated IPC symbol and complete the Action column with “UPDATED.”
- For a (D) CPC entry or indexing entry complete the Action column with “DELETE.” IPC symbol does not need to be included in the IPC column.
- For an (N) 2000 series CPC entry which is positioned within the main trunk scheme (breakdown code) provide an IPC symbol and complete the action column with “NEW”.
- For an (N) 2000 series CPC entry positioned at the end of the CPC scheme (orthogonal code), with no IPC equivalent, complete the IPC column with “CPCONLY” and complete the action column with “NEW”.

CPC NOTICE OF CHANGES 1578

DATE: JANUARY 1, 2024

PROJECT RP12203

NOTES:

- F symbols are not included in the CACL table above.
- T and M symbols are not included in the CACL table above unless a change to the existing IPC is desired.