

EUROPEAN PATENT OFFICE
U.S. PATENT AND TRADEMARK OFFICE

CPC NOTICE OF CHANGES 1576

DATE: JANUARY 1, 2024

PROJECT RP12190

The following classification changes will be effected by this Notice of Changes:

<u>Action</u>	<u>Subclass</u>	<u>Group(s)</u>
SCHEME:		
Symbols Deleted:	B08B	1/001, 1/002, 1/003, 1/005, 1/006, 1/007, 1/008, 1/02, 1/04
Symbols New:	B08B	1/10, 1/12, 1/14, 1/143, 1/145, 1/16, 1/165, 1/20, 1/30, 1/32, 1/34, 1/36, 1/40, 1/50, 1/52, 1/54
Titles Changed:	B08B	1/00
Warnings New:	B08B	1/00, 1/10, 1/14, 1/16, 1/32, 1/40, 1/50, 1/52, 1/54
DEFINITIONS:		
Definitions Deleted: (no frozen (F) symbol definitions should be deleted)	B08B	1/007, 1/008, 1/02, 1/04
Definitions New:	B08B	1/20, 1/30, 1/32, 1/50
Definitions Modified:	B08B	1/00

The following subclasses/groups are also impacted by this Notice of Changes (indicate subclasses/groups outside of the project scope, such as those listed in the CRL):

B65G 39/07, B65G 39/073, B65H

This Notice of Changes includes the following [Check the ones included]:

1. CLASSIFICATION SCHEME CHANGES

- A. New, Modified or Deleted Group(s)
- B. New, Modified or Deleted Warning(s)
- C. New, Modified or Deleted Note(s)
- D. New, Modified or Deleted Guidance Heading(s)

2. DEFINITIONS

- A. New or Modified Definitions (Full definition template)
- B. Modified or Deleted Definitions (Definitions Quick Fix)

3. REVISION CONCORDANCE LIST (RCL)

4. CHANGES TO THE CPC-TO-IPC CONCORDANCE LIST (CICL)

5. CHANGES TO THE CROSS-REFERENCE LIST (CRL)

CPC NOTICE OF CHANGES 1576

DATE: JANUARY 1, 2024

PROJECT RP12190

1. CLASSIFICATION SCHEME CHANGES

A. New, Modified or Deleted Group(s)

SUBCLASS B08B - CLEANING IN GENERAL; PREVENTION OF FOULING IN GENERAL

Type	Symbol	<u>Indent Level Number of dots (e.g. 0, 1, 2)</u>	<u>Title</u> <u>“CPC only” text should normally be enclosed in {curly brackets}**</u>	<u>Transferred to#</u>
C	B08B 1/00	0	Cleaning by methods involving the use of tools (cleaning hollow articles by methods or apparatus specially adapted thereto B08B 9/00)	B08B1/00, B08B1/14, B08B1/143, B08B1/145, B08B1/16, B08B1/165, B08B1/40
D	B08B 1/001	1	{characterised by the type of cleaning tool}	<administrative transfer to B08B1/10>
D	B08B 1/002	2	{Brushes}	<administrative transfer to B08B1/12>
D	B08B 1/003	2	{Swabs}	<administrative transfer to B08B1/145>
D	B08B 1/005	2	{Scrapers}	<administrative transfer to B08B1/165>
D	B08B 1/006	2	{Wipes}	<administrative transfer to B08B1/143>
D	B08B 1/007	1	{having means to clean the cleaning members before, during or after use}	<administrative transfer to B08B1/50>
D	B08B 1/008	1	{using translating operative members}	<administrative transfer to B08B1/30>
D	B08B 1/02	1	Cleaning travelling work, e.g. a web, articles on a conveyor	<administrative transfer to B08B1/20>
D	B08B 1/04	1	using rotary operative members (B08B 1/02 takes precedence)	<administrative transfer to B08B1/32 >
Q	B08B 1/10	1	characterised by the type of cleaning tool	B08B1/10, B08B1/14, B08B1/143, B08B1/145, B08B1/16, B08B1/165, B08B1/40
N	B08B 1/12	2	Brushes	
N	B08B 1/14	2	Wipes; Absorbent members, e.g. swabs or sponges (with integrated means for dispensing fluids B08B 1/40)	
N	B08B 1/143	3	{Wipes}	
N	B08B 1/145	3	{Swabs}	
N	B08B 1/16	2	Rigid blades, e.g. scrapers; Flexible blades, e.g. wipers	
N	B08B 1/165	3	{Scrapers}	
N	B08B 1/20	1	Cleaning of moving articles, e.g. of moving webs or of objects on a conveyor	
N	B08B 1/30	1	by movement of cleaning members over a surface	
Q	B08B 1/32	2	using rotary cleaning members	B08B 1/32, B08B 1/34, B08B 1/36
N	B08B 1/34	3	rotating about an axis parallel to the surface	
N	B08B 1/36	3	rotating about an axis orthogonal to the surface	

CPC NOTICE OF CHANGES 1576

DATE: JANUARY 1, 2024

PROJECT RP12190

Type	Symbol	Indent Level Number of dots (e.g. 0, 1, 2)	Title “CPC only” text should normally be enclosed in {curly brackets}**	Transferred to#
N	B08B 1/40	1	Cleaning tools with integrated means for dispensing fluids, e.g. water, steam or detergents (cleaning by the force of jets or sprays B08B 3/02)	
Q	B08B 1/50	1	involving cleaning of the cleaning members	B08B1/50, B08B1/52, B08B1/54
N	B08B 1/52	2	using fluids	
N	B08B 1/54	2	using mechanical tools	

*N = new entries where reclassification into entries is involved; C = entries with modified file scope where reclassification of documents from the entries is involved; Q = new entries which are firstly populated with documents via administrative transfers from deleted (D) entries. Afterwards, the transferred documents into the Q entry will either stay or be moved to more appropriate entries, as determined by intellectual reclassification; T = existing entries with enlarged file scope, which receive documents from C or D entries, e.g. when a limiting reference is removed from the entry title; M = entries with no change to the file scope (no reclassification); D = deleted entries; F = frozen entries will be deleted once reclassification of documents from the entries is completed; U = entries that are unchanged.

NOTES:

- **No {curly brackets} are used for titles in CPC only subclasses, e.g. C12Y, A23Y; 2000 series symbol titles of groups found at the end of schemes (orthogonal codes); or the Y section titles. The {curly brackets} are used for 2000 series symbol titles found interspersed throughout the main trunk schemes (breakdown codes).
- U groups: it is obligatory to display the required “anchor” symbol (U group), i.e. the entry immediately preceding a new group or an array of new groups to be created (in case new groups are not clearly subgroups of C-type groups). Always include the symbol, indent level and title of the U group in the table above.
- All entry types should be included in the scheme changes table above for better understanding of the overall scheme change picture. Symbol, indent level, and title are required for all types.
- “Transferred to” column must be completed for all C, D, F, and Q type entries. F groups will be deleted once reclassification is completed.
- When multiple symbols are included in the “Transferred to” column, avoid using ranges of symbols in order to be as precise as possible.
- For administrative transfer of documents, the following text should be used: “<administrative transfer to XX>”, “<administrative transfer to XX and YY simultaneously>”, or “<administrative transfer to XX, YY, ...and ZZ simultaneously>” when administrative transfer of the same documents is to more than one place.
- Administrative transfer to main trunk groups is assumed to be the source allocation type, unless otherwise indicated.
- Administrative transfer to 2000/Y series groups is assumed to be “additional information”.
- If needed, instructions for allocation type should be indicated within the angle brackets using the abbreviations “ADD” or “INV”: <administrative transfer to XX ADD> , <administrative transfer to XX INV>, or <administrative transfer to XX ADD, YY INV, ... and ZZ ADD simultaneously>.
- In certain situations, the “D” entries of 2000-series or Y-series groups may not require a destination (“Transferred to”) symbol, however it is required to specify “<no transfer>” in the “Transferred to” column for such cases.
- For finalization projects, the deleted “F” symbols should have <no transfer> in the “Transferred to” column.
- For more details about the types of scheme change, see CPC Guide.

CPC NOTICE OF CHANGES 1576

DATE: JANUARY 1, 2024

PROJECT RP12190

B. New, Modified or Deleted Warning notice(s)

SUBCLASS B08B - CLEANING IN GENERAL; PREVENTION OF FOULING IN GENERAL

<u>Type*</u>	<u>Location</u>	<u>Old Warning notice</u>	<u>New/Modified Warning</u>
N	B08B 1/00		Group B08B 1/00 is impacted by reclassification into groups B08B 1/14, B08B 1/143, B08B 1/145, B08B 1/16, B08B 1/165 and B08B 1/40. All groups listed in this Warning should be considered in order to perform a complete search.
N	B08B 1/10		Group B08B 1/10 is impacted by reclassification into groups B08B 1/14, B08B 1/143, B08B 1/145, B08B 1/16, B08B 1/165 and B08B 1/40. All groups listed in this Warning should be considered in order to perform a complete search.
N	B08B 1/14		Groups B08B 1/14, B08B 1/143 and B08B 1/145 are incomplete pending reclassification of documents from groups B08B 1/00 and B08B 1/10. All groups listed in this Warning should be considered in order to perform a complete search.
N	B08B 1/16		Groups B08B 1/16 and B08B 1/165 are incomplete pending reclassification of documents from groups B08B 1/00 and B08B 1/10. All groups listed in this Warning should be considered in order to perform a complete search.
N	B08B 1/32		Group B08B 1/32 is impacted by reclassification into groups B08B 1/34 and B08B 1/36. Groups B08B 1/32, B08B 1/34 and B08B 1/36 should be considered in order to perform a complete search.
N	B08B 1/40		Group B08B 1/40 is incomplete pending reclassification of documents from groups B08B 1/00 and B08B 1/10. Groups B08B 1/00, B08B 1/10 and B08B 1/40 should be considered in order to perform a complete search.
N	B08B 1/50		Group B08B 1/50 is impacted by reclassification into groups B08B 1/52 and B08B 1/54. Groups B08B 1/50, B08B 1/52 and B08B 1/54 should be considered in order to perform a complete search.
N	B08B 1/52		Group B08B 1/52 is incomplete pending reclassification of documents from group B08B 1/50. Groups B08B 1/50 and B08B 1/52 should be considered in order to perform a complete search.
N	B08B 1/54		Group B08B 1/54 is incomplete pending reclassification of documents from group B08B 1/50. Groups B08B 1/50 and B08B 1/54 should be considered in order to perform a complete search.

*N = new warning, M = modified warning, D = deleted warning

NOTE: The "Location" column only requires the symbol PRIOR to the location of the warning. No further directions such as "before" or "after" are required.

2.A. DEFINITIONS (i.e. new)

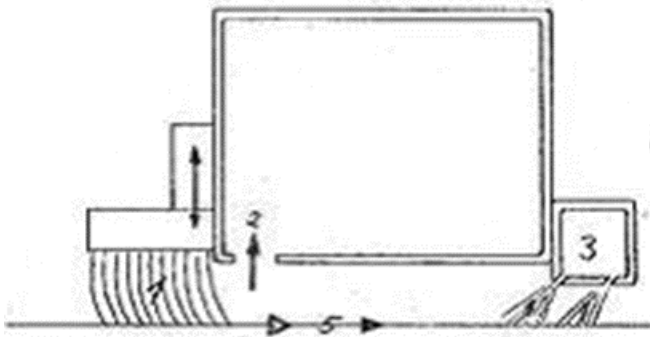
B08B1/20

Definition statement

This place covers:

The cleaning of articles while they are travelling past at least one cleaning member.

Illustrative example of subject matter classified in this group:



B08B 1/30

Definition statement

This place covers:

The cleaning of articles by means of cleaning members comprising guiding means for performing a translatory movement along the articles to be cleaned.

Illustrative example of subject matter classified in this group:

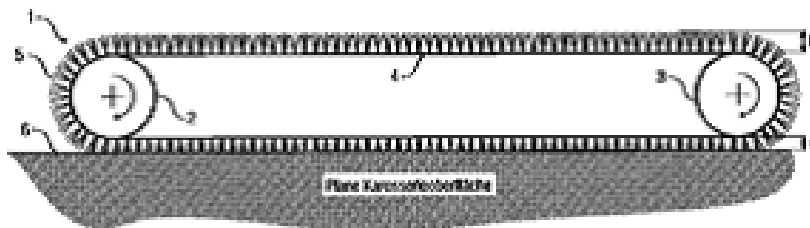


Fig. 1A

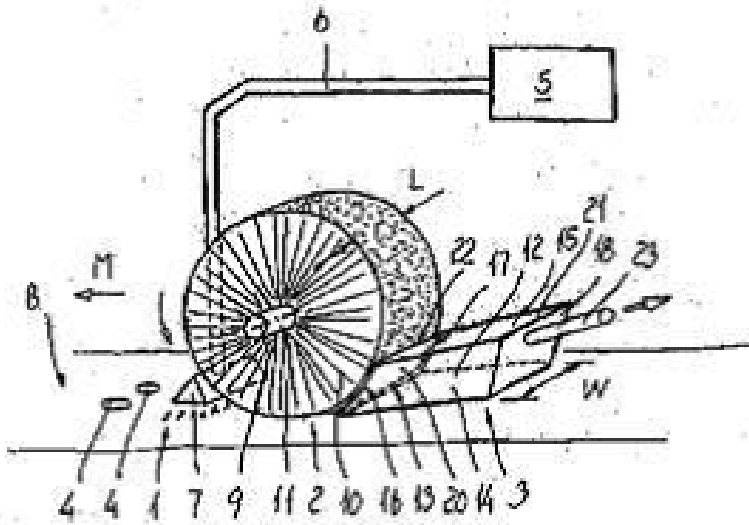
B08B1/32

Definition statement

This place covers:

The cleaning of articles by means of cleaning members which are arranged to perform a rotary movement over a surface.

Illustrative example of subject matter classified in this group:



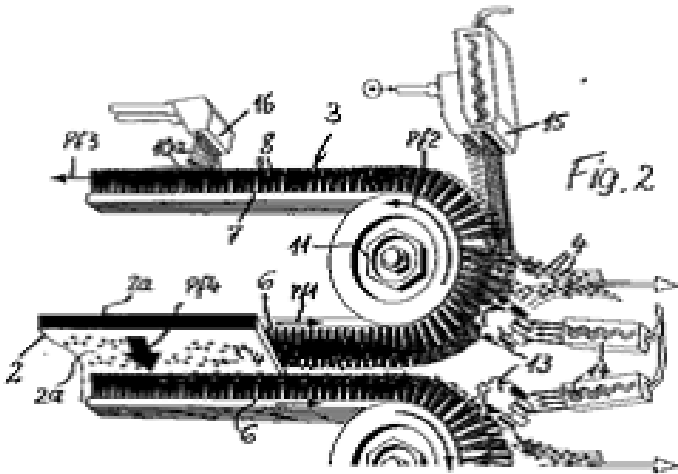
B08B 1/50

Definition statement

This place covers:

The cleaning of articles by methods involving the use of tools, brushes or analogous members, further comprising means to clean or regenerate the cleaning members.

Illustrative example of subject matter classified in this group:



2.A. DEFINITIONS (modified)

B08B1/00

Definition statement

Replace: The existing Definition statement with the updated one below.

The mechanical cleaning of articles by means of mechanical members such as tools, brushes, or analogous members, with or without the application of fluid.

References

Insert: The following new Limiting references section and table.

Limiting references

This place does not cover:

Cleaning hollow articles by methods or apparatus specially adapted thereto	B08B 9/00
--	-----------

Insert: The following new Glossary of terms section and table.

Glossary of terms

In this place, the following terms or expressions are used with the meaning indicated:

wipe(n)	a piece of cloth or paper, optionally treated with a cleaning agent or solution, for cleaning articles by wiping
wiper	a cleaning element comprising a flexible blade

CPC NOTICE OF CHANGES 1576

DATE: JANUARY 1, 2024

PROJECT RP12190

2. B. DEFINITIONS QUICK FIX

Symbol	Location of change (e.g., section title)	Existing reference symbol or text	Action; New symbol; New text
B08B1/007			Delete entire definition
B08B1/008			Delete entire definition
B08B1/02			Delete entire definition
B08B1/04			Delete entire definition

Notes:

Use this Definitions Quick Fix (DQF) table to:

- Delete an entire definition
- Delete an entire section
- Change a reference symbol
- Delete a reference symbol
- Delete text in a References section
- Correct one error in spelling, article use, or verb tense

Otherwise, use the standard template.

Reminder: Never delete F symbol definitions.

CPC NOTICE OF CHANGES 1576

DATE: JANUARY 1, 2024

PROJECT RP12190

3. REVISION CONCORDANCE LIST (RCL)

Type*	From CPC Symbol (existing)	To CPC Symbol(s)
C	B08B 1/00	B08B 1/00, B08B 1/14, B08B 1/143, B08B 1/145, B08B 1/16, B08B 1/165, B08B 1/40
D	B08B 1/001	<administrative transfer to B08B 1/10>
D	B08B 1/002	<administrative transfer to B08B 1/12>
D	B08B 1/003	<administrative transfer to B08B 1/145>
D	B08B 1/005	<administrative transfer to B08B 1/165>
D	B08B 1/006	<administrative transfer to B08B 1/143>
D	B08B 1/007	<administrative transfer to B08B 1/50>
D	B08B 1/008	<administrative transfer to B08B 1/30>
D	B08B 1/02	<administrative transfer to B08B 1/20>
D	B08B 1/04	<administrative transfer to B08B 1/32>
Q	B08B 1/10	B08B 1/10, B08B 1/14, B08B 1/143, B08B 1/145, B08B 1/16, B08B 1/165, B08B 1/40
Q	B08B 1/32	B08B 1/32, B08B 1/34, B08B 1/36
Q	B08B 1/50	B08B 1/50, B08B 1/52, B08B 1/54

* C = entries with modified file scope where reclassification of documents from the entries is involved; Q = new entries which are firstly populated with documents via administrative transfers from deleted (D) entries. Afterwards, the transferred documents into the Q entry will either stay or be moved to more appropriate entries, as determined by intellectual reclassification; D = deleted entries; F = frozen entries will be deleted once reclassification of documents from the entries is completed.

NOTES:

- Only C, D, F, and Q type entries are included in the table above.
- When multiple symbols are included in the “To” column, do not use ranges of symbols.
- For administrative transfer of documents, the following text should be used: “< administrative transfer to XX>”, “<administrative transfer to XX and YY simultaneously>”, or “<administrative transfer to XX, YY, ...and ZZ simultaneously>” when administrative transfer of the same documents is to more than one place.
- Administrative transfer to main trunk groups is assumed to be the source allocation type, unless otherwise indicated.
- Administrative transfer to 2000/Y series groups is assumed to be “additional information”.
- If needed, instructions for allocation type should be indicated within the angle brackets using the abbreviations “ADD” or “INV”: <administrative transfer to XX ADD>, <administrative transfer to XX INV>, or < administrative transfer to XX ADD, YY INV, ... and ZZ ADD simultaneously>.
- In certain situations, the “D” entries of 2000-series or Y-series groups may not require a destination (“To”) symbol, however it is required to specify “<no transfer>” in the “To” column for such cases.
- RCL is not needed for finalisation projects.

CPC NOTICE OF CHANGES 1576

DATE: JANUARY 1, 2024

PROJECT RP12190

4. CHANGES TO THE CPC-TO-IPC CONCORDANCE LIST (CICL)

<u>CPC</u>	<u>IPC</u>	<u>Action*</u>
B08B 1/001		DELETE
B08B 1/002		DELETE
B08B 1/003		DELETE
B08B 1/005		DELETE
B08B 1/006		DELETE
B08B 1/007		DELETE
B08B 1/008		DELETE
B08B 1/02		DELETE
B08B 1/04		DELETE
B08B 1/10	B08B 1/10	NEW
B08B 1/12	B08B 1/12	NEW
B08B 1/14	B08B 1/14	NEW
B08B 1/143	B08B 1/14	NEW
B08B 1/145	B08B 1/14	NEW
B08B 1/16	B08B 1/16	NEW
B08B 1/165	B08B 1/16	NEW
B08B 1/20	B08B 1/20	NEW
B08B 1/30	B08B 1/30	NEW
B08B 1/32	B08B 1/32	NEW
B08B 1/34	B08B 1/34	NEW
B08B 1/36	B08B 1/36	NEW
B08B 1/40	B08B 1/40	NEW
B08B 1/50	B08B 1/50	NEW
B08B 1/52	B08B 1/52	NEW
B08B 1/54	B08B 1/54	NEW

*Action column:

- For an (N) or (Q) entry, provide an IPC symbol and complete the Action column with “NEW.”
- For an existing CPC main trunk entry or indexing entry where the existing IPC symbol needs to be changed, provide an updated IPC symbol and complete the Action column with “UPDATED.”
- For a (D) CPC entry or indexing entry complete the Action column with “DELETE.” IPC symbol does not need to be included in the IPC column.
- For an (N) 2000 series CPC entry which is positioned within the main trunk scheme (breakdown code) provide an IPC symbol and complete the action column with “NEW”.
- For an (N) 2000 series CPC entry positioned at the end of the CPC scheme (orthogonal code), with no IPC equivalent, complete the IPC column with “CPCONLY” and complete the action column with “NEW”.

NOTES:

- F symbols are not included in the CICL table above.
- T and M symbols are not included in the CICL table above unless a change to the existing IPC is desired.

CPC NOTICE OF CHANGES 1576

DATE: JANUARY 1, 2024

PROJECT RP12190

5. CROSS-REFERENCELIST (CRL)

Scheme references impacted by this revision project

<u>Location of reference to be changed</u>	<u>Referenced subclass or group to be changed</u>	<u>Action; New reference symbol; New text</u>
B65H (Note)	B08B 1/02 Cleaning travelling work, e.g. webs, by methods involving the use of tools, brushes or like members	B08B 1/20 Cleaning of moving articles, e.g. of moving webs or of objects on a conveyor

Definitions references impacted by this revision project

<u>Location of reference to be changed</u>	<u>Referenced subclass or group to be changed</u>	<u>Section of definition</u>	<u>Action; New reference symbol; New text</u>
B65G 39/07	B08B 1/04	Limiting references	B08B 1/32
B65G 39/073	B08B 1/04	Informative references	B08B 1/32
B65H	B08B 1/02	Relationships with other classification places	B08B 1/20 Cleaning of moving articles, e.g. of moving webs or of objects on a conveyor
B65H	B08B 1/02	Application-oriented references	B08B 1/20 Cleaning of moving articles, e.g. of moving webs or of objects on a conveyor

NOTES:

- The CRL tables above are used for changes to locations **outside** of the project scope. Changes to references in scheme titles or definitions **inside** the project scope will be reflected in the “scheme change” template or one of the “definition” templates.
- In addition to other changes proposed in the tables above, in the column titled “Referenced subclass or group to be changed,” **referenced D** symbols should indicate an action of “delete” or should indicate a replacement symbol and **referenced F** symbols should indicate a replacement symbol.
- When a reference is deleted, text related to that reference will also be deleted unless other references or a range of references associated with the same text remain.