

EUROPEAN PATENT OFFICE  
U.S. PATENT AND TRADEMARK OFFICE

CPC NOTICE OF CHANGES 1348

DATE: AUGUST 1, 2022

PROJECT RP10458

The following classification changes will be effected by this Notice of Changes:

<u>Action</u>	<u>Subclass</u>	<u>Group(s)</u>
<b>SCHEME:</b>		
Symbols Deleted:	B64G	2700/00, 2700/24, 2700/66
Titles Changed:	B64D	13/00
<b>DEFINITIONS:</b>		
Definitions Modified:	B61B	1/00
	B64D	1/04, 1/14
	B64D	9/00
	B64D	10/00
	B64D	11/00
	B64D	13/00, 13/06
	B64D	27/00, 27/26
	B64D	33/02, 33/04
	B64D	37/32
	B64D	41/00
	B64D	45/00, 45/0015
	B64G	subclass
	B64G	1/00
	B64G	1/002
	B64G	1/10
	B64G	1/24
	B64G	4/00
	B64G	7/00

No other subclasses/groups are impacted by this Notice of Changes.

This Notice of Changes includes the following [Check the ones included]:

1. CLASSIFICATION SCHEME CHANGES

- A. New, Modified or Deleted Group(s)
- B. New, Modified or Deleted Warning(s)
- C. New, Modified or Deleted Note(s)
- D. New, Modified or Deleted Guidance Heading(s)

CPC NOTICE OF CHANGES 1348

DATE: AUGUST 1, 2022

PROJECT RP10458

2. DEFINITIONS

- A. New or Modified Definitions (Full definition template)
- B. Modified or Deleted Definitions (Definitions Quick Fix)
- 3.  REVISION CONCORDANCE LIST (RCL)
- 4.  CHANGES TO THE CPC-TO-IPC CONCORDANCE LIST (CICL)
- 5.  CHANGES TO THE CROSS-REFERENCE LIST (CRL)

## CPC NOTICE OF CHANGES 1348

DATE: AUGUST 1, 2022

PROJECT RP10458

## 1. CLASSIFICATION SCHEME CHANGES

A. New, Modified or Deleted Group(s)**SUBCLASS B64D - EQUIPMENT FOR FITTING IN OR TO AIRCRAFT; FLYING SUITS; PARACHUTES; ARRANGEMENTS OR MOUNTING OF POWER PLANTS OR PROPULSION TRANSMISSIONS IN AIRCRAFT**

<u>Type*</u>	<u>Symbol</u>	<u>Indent Level Number of dots (e.g. 0, 1, 2)</u>	<u>Title</u> <u>“CPC only” text should normally be enclosed in {curly brackets}**</u>	<u>Transferred to#</u>
M	B64D 13/00	0	Arrangements or adaptations of air-treatment apparatus for aircraft crew or passengers, or freight space { , or structural parts of the aircraft } (treatment rooms with artificial climate for medical purposes A61G 10/02; respiratory apparatus in general A62B; for vehicles in general B60H)	

**SUBCLASS B64G - COSMONAUTICS; VEHICLES OR EQUIPMENT THEREFOR (apparatus for, or methods of, winning materials from extraterrestrial sources E21C 51/00)**

<u>Type*</u>	<u>Symbol</u>	<u>Indent Level Number of dots (e.g. 0, 1, 2)</u>	<u>Title</u> <u>“CPC only” text should normally be enclosed in {curly brackets}**</u>	<u>Transferred to#</u>
D	B64G 2700/00	0	Space travel; artificial satellites; space exploration	<no transfer>
D	B64G 2700/24	1	Stabilisation, orientation and oscillation damping of spacecraft	<no transfer>
D	B64G 2700/66	1	Aerials and collapsible aerials of spacecraft	<no transfer>

\*N = new entries where reclassification into entries is involved; C = entries with modified file scope where reclassification of documents from the entries is involved; Q = new entries which are firstly populated with documents via administrative transfers from deleted (D) entries. Afterwards, the transferred documents into the Q entry will either stay or be moved to more appropriate entries, as determined by intellectual reclassification; T= existing entries with enlarged file scope, which receive documents from C or D entries, e.g. when a limiting reference is removed from the entry title; M = entries with no change to the file scope (no reclassification); D = deleted entries; F = frozen entries will be deleted once reclassification of documents from the entries is completed; U = entries that are unchanged.

## NOTES:

- \*\*No {curly brackets} are used for titles in CPC only subclasses, e.g. C12Y, A23Y; 2000 series symbol titles of groups found at the end of schemes (orthogonal codes); or the Y section titles. The {curly brackets} are used for 2000 series symbol titles found interspersed throughout the main trunk schemes (breakdown codes).
- U groups: it is obligatory to display the required “anchor” symbol (U group), i.e. the entry immediately preceding a new group or an array of new groups to be created (in case new groups are not clearly subgroups of C-type groups). Always include the symbol, indent level and title of the U group in the table above.

## CPC NOTICE OF CHANGES 1348

DATE: AUGUST 1, 2022

### PROJECT RP10458

- All entry types should be included in the scheme changes table above for better understanding of the overall scheme change picture. Symbol, indent level, and title are required for all types .
- “Transferred to” column must be completed for all C, D, F, and Q type entries. F groups will be deleted once reclassification is completed.
- When multiple symbols are included in the “Transferred to” column, avoid using ranges of symbols in order to be as precise as possible.
- For administrative transfer of documents, the following text should be used: “< administrative transfer to XX>”, “<administrative transfer to XX and YY simultaneously>”, or “<administrative transfer to XX, YY, ...and ZZ simultaneously>” when administrative transfer of the same documents is to more than one place.
- Administrative transfer to main trunk groups is assumed to be the source allocation type, unless otherwise indicated.
- Administrative transfer to 2000/Y series groups is assumed to be “additional information”.
- If needed, instructions for allocation type should be indicated within the angle brackets using the abbreviations “ADD” or “INV”: <administrative transfer to XX ADD> , <administrative transfer to XX INV>, or < administrative transfer to XX ADD, YY INV, ... and ZZ ADD simultaneously>.
- In certain situations, the “D” entries of 2000-series or Y-series groups may not require a destination (“Transferred to”) symbol, however it is required to specify “<no transfer>” in the “Transferred to” column for such cases.
- For finalisation projects, the deleted “F” symbols should have <no transfer> in the “Transferred to” column.
- For more details about the types of scheme change, see CPC Guide.

DATE: AUGUST 1, 2022

PROJECT RP10458

## 2. A. DEFINITIONS (modified)

Insert: The following modifications.

### B64D 1/04

#### References

##### *Limiting references*

Delete: The entire *Limiting references* section and table.

##### *Informative references*

Insert: The following new reference into the Informative reference table.

Bombs, Missiles	F42B
-----------------	------

Insert: The following new *Special rules of classification* section.

#### **Special rules of classification**

Reference F42C is non-limiting in the subgroup B64D 1/04. CPC will be updated/corrected once this inconsistency is resolved in IPC.

DATE: AUGUST 1, 2022

PROJECT RP10458

**B64D 1/14**

**Definition statement**

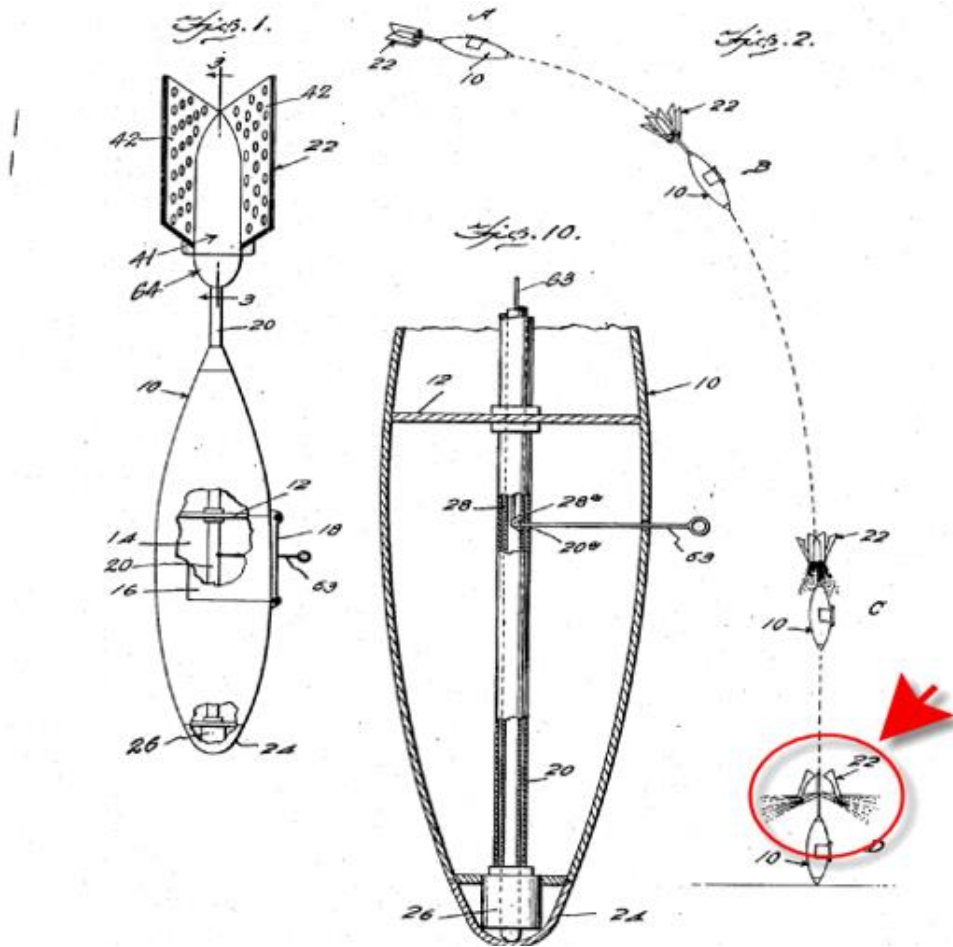
Replace: The existing *Definitions* text and figure with the following new text and figure.

Rockets used as braking devices.

Cushioning devices; shock absorbers, springs, etc. for absorbing landing chocks on load-carrying articles dropped/ejected/released from an aircraft.

Illustrative example of subject matter classified in this group:

One or more rocket could be positioned on the load and ignited just prior to touch-down, such that the rocket thrust brakes/cushions the arrival on the ground, as shown in this example (ignited rockets (22) circled in red):



DATE: AUGUST 1, 2022

PROJECT RP10458

## **B64D 9/00**

### **Special rules of classification**

Delete: The entire *Special rules of classification* section.

## **B64D 10/00**

### **Special rules of classification**

Replace: The entire *Special rules of classification* text with the following.

References [A42B 3/00](#) and [A62B 18/00](#) are non-limiting in the main group [B64D 10/00](#). CPC will be updated/corrected once this inconsistency is resolved in IPC.

## **B64D 11/00**

Delete: The entire *Special rules of classification* section.

## **B64D 13/00**

### **Definition statement**

Replace: The *Definition statement* text with the following.

Accessories for air-conditioning systems, e.g. valves, nozzles, air mixing chambers.

### **References**

#### ***Informative references***

DATE: AUGUST 1, 2022

PROJECT RP10458

Replace: The text for the reference [A61G 10/02](#) with the following:

Treatment rooms with artificial climate for medical purposes	<a href="#">A61G10/02</a>
--	---------------------------

### **Special rules of classification**

Replace: The entire *Special rules of classification* text with the following.

References [A61G 10/02](#), [A62B](#) and [B60H](#) are non-limiting in the main group [B64D 13/00](#). CPC will be updated/corrected once this inconsistency is resolved in IPC.

Looping references between [B64D 13/00](#) and [A61G 10/02](#) in CPC have been identified. Until the above title inconsistency is resolved in IPC, the current classification practice in CPC is as follows: [A61G 10/02](#) is informative.

### **[B64D 13/06](#)**

#### **Special rules of classification**

Replace: The entire *Special rules of classification* text with the following.

Reference [B64D 13/02](#) is non-limiting in the subgroup [B64D 13/06](#). CPC will be updated/corrected once this inconsistency is resolved in IPC.



DATE: AUGUST 1, 2022

PROJECT RP10458

## **B64D 27/00**

### **Special rules of classification**

Replace: The entire *Special rules of classification* text with the following.

Reference **B64C** is non-limiting in the subgroup **B64D 27/00**. CPC will be updated/corrected once this inconsistency is resolved in IPC.

## **B64D 27/26**

### **Special rules of classification**

Delete: The entire *Special rules of classification* section.

## **B64D 33/02**

### **Special rules of classification**

Delete: The entire *Special rules of classification* section.

## **B64D 33/04**

Insert: The following new *Limiting reference* section and table.

### ***Limiting references***

*This place does not cover:*

Attitude, flight direction or altitude control of aircraft by jet reaction	<b>B64C</b>
--	-------------

### **Special rules of classification**

Replace: The entire *Special rules of classification* text with the following.

DATE: AUGUST 1, 2022

PROJECT RP10458

References [F01N](#) and [F02K](#) are non-limiting in the subgroup [B64D 33/04](#). CPC will be updated/corrected once this inconsistency is resolved in IPC.

## **B64D 37/32**

### **Special rules of classification**

Replace: The entire *Special rules of classification* text with the following.

Reference [A62C](#) is non-limiting in the subgroup [B64D 37/32](#). CPC will be updated/corrected once this inconsistency is resolved in IPC.

## **B64D 41/00**

### **Special rules of classification**

Delete: The entire *Special rules of classification* section.

## **B64D 45/00**

### **References**

#### ***Limiting references***

Delete: The following reference from the *Limiting reference* table.

Stealth or armoured structures	<a href="#">B64D7/00</a>
--------------------------------	--------------------------

Insert: The following reference into the *Limiting reference* table.

Camouflage	<a href="#">F41H3/00</a>
------------	--------------------------

#### ***Informative references***

DATE: AUGUST 1, 2022

PROJECT RP10458

Replace: The following reference in the *Informative reference* table

Camouflage	F41H3/00
------------	----------

with the following new reference.

Stealth or armoured structures	B64D7/00
--------------------------------	----------

**Special rules of classification**

Delete: The entire *Special rules of classification* section.

**B64D 45/0015**

**Special rules of classification**

Delete: The entire *Special rules of classification* section.

DATE: AUGUST 1, 2022

PROJECT RP10458

## **B64G**

### **Special rules of classification**

Delete: The entire *Special rules of classification* section.

## **B64G 1/00**

### **Definition statement**

Replace: The entire *Definition statement* text with the following one bullet.

- Cosmonautic vehicles.

## **B64G 1/002**

### **Special rules of classification**

Delete: The entire *Special rules of classification* section.

## **B64G 1/10**

### **Special rules of classification**

Delete: The entire *Special rules of classification* section.

## **B64G 1/24**

### **Special rules of classification**

Delete: The entire *Special rules of classification* section.

DATE: AUGUST 1, 2022

PROJECT RP10458

**B64G 4/00**

**Special rules of classification**

Delete: The entire *Special rules of classification* section.

**B64G 7/00**

**Special rules of classification**

Delete: The entire *Special rules of classification* section.

CPC NOTICE OF CHANGES 1348

DATE: AUGUST 1, 2022

PROJECT RP10458

2. B. DEFINITIONS QUICK FIX

<b><u>Symbol</u></b>	<b><u>Location of change</u></b> (e.g., section title)	<b><u>Existing reference symbol or text</u></b>	<b><u>Action; New symbol; New text</u></b>
B61B 1/00	Informative references	Indicators in the station G08G 1/127	<u>Delete</u> reference from table.

NOTES:

- The table above is used for corrections or modifications to existing definitions, e.g. delete an entire definition or part thereof; propose new wording or modify wording of a section, change the symbol the definition is associated with, change or delete a reference symbol, etc.
- Do not delete (F) symbol definitions.

CPC NOTICE OF CHANGES 1348

DATE: AUGUST 1, 2022

PROJECT RP10458

3. REVISION CONCORDANCE LIST (RCL)

<b>Type*</b>	<b>From CPC Symbol (existing)</b>	<b>To CPC Symbol(s)</b>
D	B64G 2700/00	<no transfer>
D	B64G 2700/24	<no transfer>
D	B64G 2700/66	<no transfer>

\* C = entries with modified file scope where reclassification of documents from the entries is involved; Q = new entries which are firstly populated with documents via administrative transfers from deleted (D) entries. Afterwards, the transferred documents into the Q entry will either stay or be moved to more appropriate entries, as determined by intellectual reclassification; D = deleted entries; F = frozen entries will be deleted once reclassification of documents from the entries is completed.

NOTES:

- Only C, D, F, and Q type entries are included in the table above.
- When multiple symbols are included in the “To” column, do not use ranges of symbols.
- For administrative transfer of documents, the following text should be used: “< administrative transfer to XX>”, “<administrative transfer to XX and YY simultaneously>”, or “<administrative transfer to XX, YY, ...and ZZ simultaneously>” when administrative transfer of the same documents is to more than one place.
- Administrative transfer to main trunk groups is assumed to be the source allocation type, unless otherwise indicated.
- Administrative transfer to 2000/Y series groups is assumed to be “additional information”.
- If needed, instructions for allocation type should be indicated within the angle brackets using the abbreviations “ADD” or “INV”: <administrative transfer to XX ADD>, <administrative transfer to XX INV>, or < administrative transfer to XX ADD, YY INV, ... and ZZ ADD simultaneously>.
- In certain situations, the “D” entries of 2000-series or Y-series groups may not require a destination (“To”) symbol, however it is required to specify “<no transfer>” in the “To” column for such cases.
- RCL is not needed for finalisation projects.

CPC NOTICE OF CHANGES 1348

DATE: AUGUST 1, 2022

PROJECT RP10458

4. CHANGES TO THE CPC-TO-IPC CONCORDANCE LIST (CICL)

<u>CPC</u>	<u>IPC</u>	<u>Action*</u>
B64G 2700/00		DELETE
B64G 2700/24		DELETE
B64G 2700/66		DELETE

\*Action column:

- For an (N) or (Q) entry, provide an IPC symbol and complete the Action column with "NEW."
- For an existing CPC main trunk entry or indexing entry where the existing IPC symbol needs to be changed, provide an updated IPC symbol and complete the Action column with "UPDATED."
- For a (D) CPC entry or indexing entry complete the Action column with "DELETE." IPC symbol does not need to be included in the IPC column.
- For an (N) 2000 series CPC entry which is positioned within the main trunk scheme (breakdown code) provide an IPC symbol and complete the action column with "NEW".
- For an (N) 2000 series CPC entry positioned at the end of the CPC scheme (orthogonal code), with no IPC equivalent, complete the IPC column with "CPCONLY" and complete the action column with "NEW".

NOTES:

- F symbols are not included in the CICL table above.
- T and M symbols are not included in the CICL table above unless a change to the existing IPC is desired.