

EUROPEAN PATENT OFFICE
U.S. PATENT AND TRADEMARK OFFICE

CPC NOTICE OF CHANGES 1620

DATE: MAY 1, 2024

PROJECT DP12172

The following classification changes will be effected by this Notice of Changes:

<u>Action</u>	<u>Subclass</u>	<u>Group(s)</u>
DEFINITIONS:		
Definitions Modified:		
	A47L	15/48
	B02B	SUBCLASS
	B65H	29/006
	D05C	SUBCLASS
	D06F	37/06

No other subclasses/groups are impacted by this Notice of Changes.

This Notice of Changes includes the following [Check the ones included]:

1. CLASSIFICATION SCHEME CHANGES

- A. New, Modified or Deleted Group(s)
- B. New, Modified or Deleted Warning(s)
- C. New, Modified or Deleted Note(s)
- D. New, Modified or Deleted Guidance Heading(s)

2. DEFINITIONS

- A. New or Modified Definitions (Full definition template)
- B. Modified or Deleted Definitions (Definitions Quick Fix)

3. REVISION CONCORDANCE LIST (RCL)

4. CHANGES TO THE CPC-TO-IPC CONCORDANCE LIST (CICL)

5. CHANGES TO THE CROSS-REFERENCE LIST (CRL)

DATE: MAY 1, 2024

PROJECT DP12172

2. A. DEFINITIONS (Modified)

A47L 15/48

References

Informative references

Delete: The following two rows from the Informative references table:

Drying arrangements (Japanese FI class)	A47L 15/48
Drying apparatuses (Japanese F-term)	3B082/EE00

B02B

Delete: The entire Special rules of classification section.

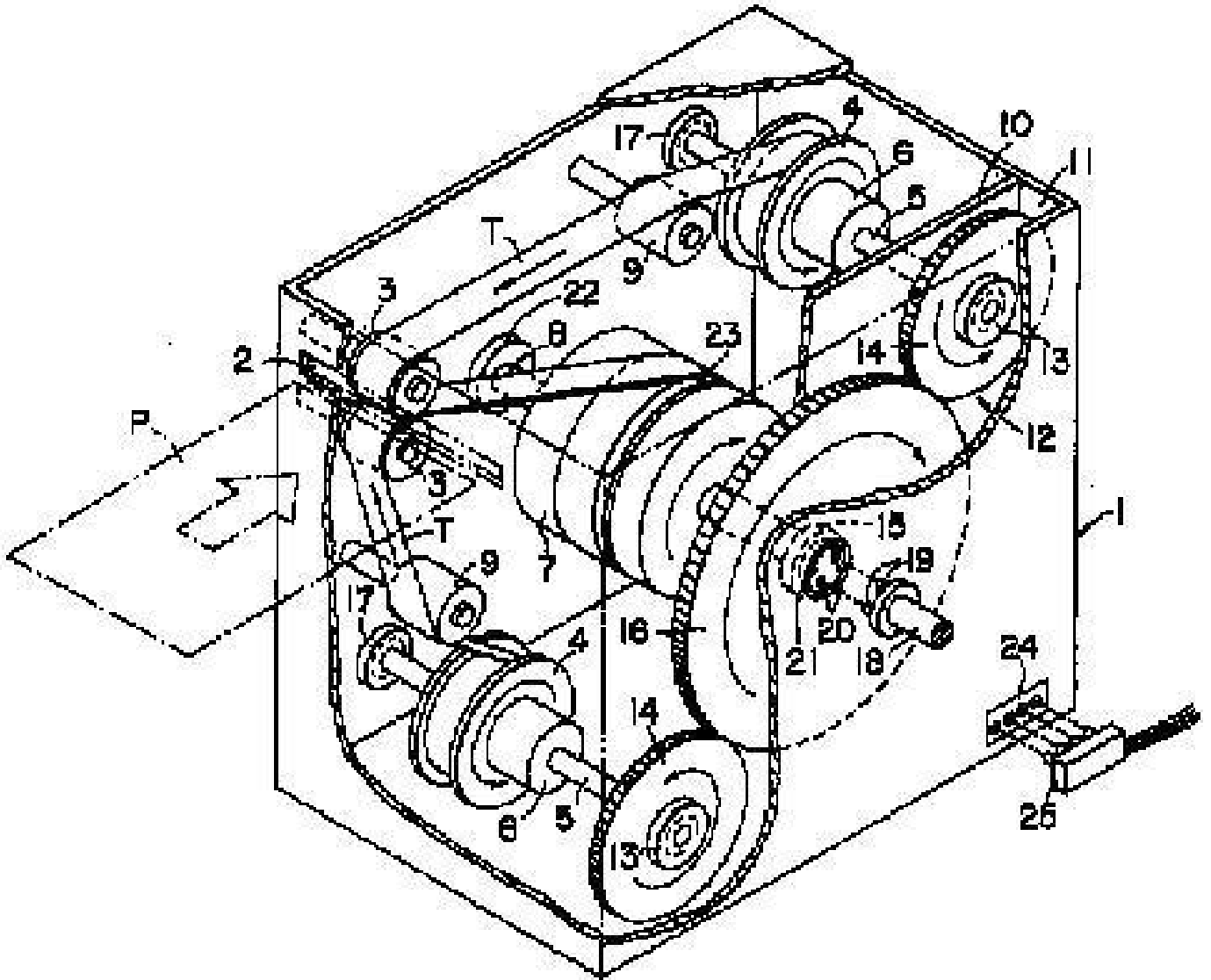
B65H 29/006

Definition statement

Replace: The word “group” with “place” in the second paragraph of the Definition statement text so that the entire Definition statement appears as follows:

Particular details about delivering articles to be stored to or into the store, as well as about the store as such.

Illustrative example of subject matter classified in this place:



References

Informative references

Delete: The following two rows from the Informative references table:

Wrapping banknotes around drum	G07D 9/00, 405C/FI
--------------------------------	--------------------

DATE: MAY 1, 2024

PROJECT DP12172

Reels taking-up banknotes	G07D 9/00, 405C/FI
---------------------------	--------------------

Special rules of classification

Replace: The existing Special rules text with the following revised text:

The use of the following Indexing Codes is mandatory:

- [B65H 2301/4191](#): articles wound together with a single belt;
- [B65H 2301/41912](#): articles wound together between two belts facing each other.

D05C

References

Informative references

Replace: The Informative references table with the following revised table:

Embroidering and tufting	D05C 5/00 , D05C 17/00
Sewing	D05B

Special rules of classification

Replace: The Special rules text with the following revised text:

The classification in [D05C](#) is desirably complemented by a classification in the indexing scheme relating to sewing, embroidering and tufting [D05D](#):

- selection of machines, accessories or parts of the same kind [D05D 2203/00](#);
- interface between the operator and the machine [D05D 2205/00](#);
- use of special elements [D05D 2207/00](#);
- use of special materials [D05D 2209/00](#);
- applied objects or articles [D05D 2303/00](#);

DATE: MAY 1, 2024

PROJECT DP12172

- operations on the work before or after sewing [D05D 2305/00](#).

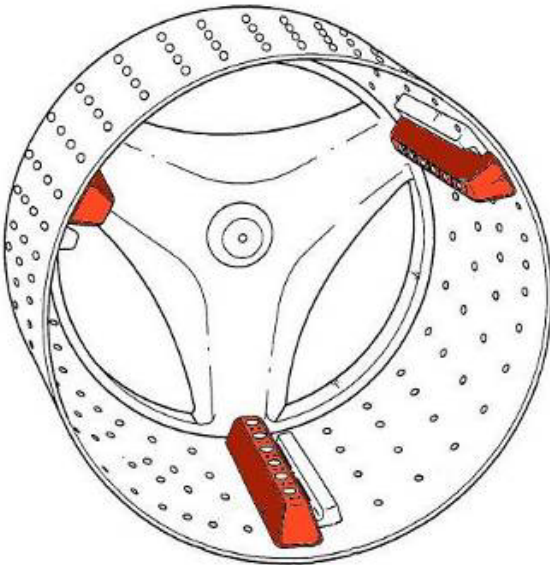
Disclosures of general nature which are both applicable to [D05B](#) and [D05C](#) are preferably classified in [D05B](#) if the classification for the subject-matter concerned is more detailed (e.g. [D05B 85/00](#)).

D06F 37/06

Definition statement

Replace: The word “group” with “place” so that the entire Definition statement appears as follows:

Illustrative example of subject matter classified in this place:



References

Informative references

Replace: The Informative references table with the following revised table:

Drums adapted for rotation about a vertical axis, characterised by the shape of the side wall	D06F 37/12
---	----------------------------

CPC NOTICE OF CHANGES 1620

DATE: MAY 1, 2024

PROJECT DP12172

Construction of the inside surface of the drum	D06F 37/14
Projections or partitions	D06F 37/16