

EUROPEAN PATENT OFFICE
U.S. PATENT AND TRADEMARK OFFICE

CPC NOTICE OF CHANGES 1161

DATE: AUGUST 1, 2021

PROJECT DP0229

The following classification changes will be effected by this Notice of Changes:

<u>Action</u>	<u>Subclass</u>	<u>Group(s)</u>
DEFINITIONS:		
Definitions New:	B65D	17/30, 17/32, 17/34, 17/353, 17/38, 17/401, 17/4011, 17/4012, 17/402, 17/404, 17/42, 17/44, 17/462, 17/464, 17/48, 17/521, 17/523
Definitions Modified:	B65D	17/00, 17/06, 17/08, 17/10, 17/12
	B65D	53/00, 53/08
	B65D	57/00
	B65D	79/005, 79/0087

This Notice of Changes includes the following *[Check the ones included]*:

1. CLASSIFICATION SCHEME CHANGES

- A. New, Modified or Deleted Group(s)
- B. New, Modified or Deleted Warning(s)
- C. New, Modified or Deleted Note(s)
- D. New, Modified or Deleted Guidance Heading(s)

2. DEFINITIONS

- A. New or Modified Definitions (Full definition template)
- B. Modified or Deleted Definitions (Definitions Quick Fix)

3. REVISION CONCORDANCE LIST (RCL)

4. CHANGES TO THE CPC-TO-IPC CONCORDANCE LIST (CICL)

5. CHANGES TO THE CROSS-REFERENCE LIST (CRL)

2. A. DEFINITIONS (new)

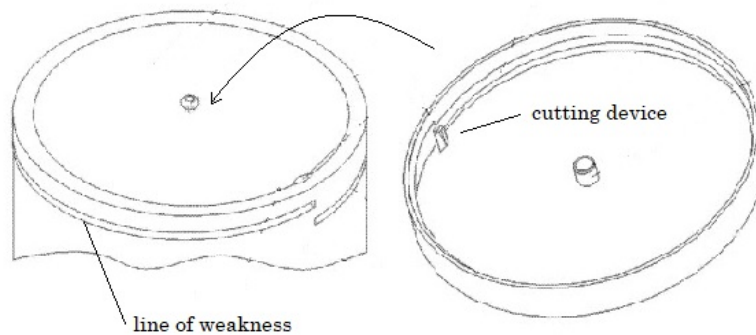
Insert: The following new Definitions.

B65D 17/30

Definition statement

This place covers:

Illustrative example of subject matter classified in this group:



The cutting device is specially adapted to the line of weakness of the container.

References

Informative references

Attention is drawn to the following places, which may be of interest for search:

Attached can-cutting devices	B65D 17/521
------------------------------	-----------------------------

Special rules of classification

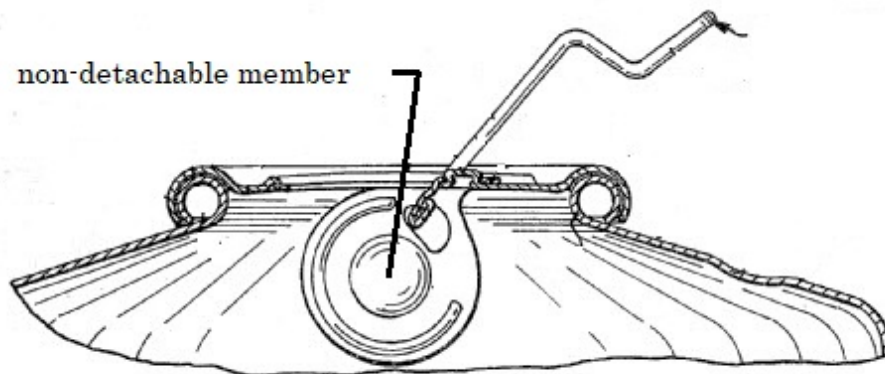
The use of B65D2517/00-series Indexing Codes is mandatory.

B65D 17/32

Definition statement

This place covers:

Illustrative example of subject matter classified in this group:



The torn end wall part remains attached to the container.

References

Informative references

Attention is drawn to the following places, which may be of interest for search:

Arrangement or construction of pull or lift tabs	B65D 17/34
--	----------------------------

DATE: AUGUST 1, 2021

PROJECT DP0229

Special rules of classification

The use of B65D2517/00-series Indexing Codes is mandatory.

The non-detachable members or portions are understood to be the torn part of the end wall, i.e. the tear panel, and not the tear tab.

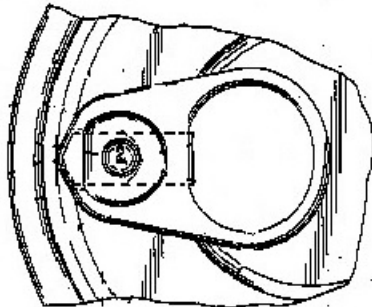
Note: most documents classified with B65D2517/0011, B65D2517/0014, B65D2517/0017 and B65D2517/0019 Indexing Codes would also require a classification in B65D17/32.

B65D 17/34

Definition statement

This place covers:

Illustrative example of subject matter classified in this group:



References

Limiting references

This place does not cover:

Having non-detachable members or portions

B65D 17/32

Special rules of classification

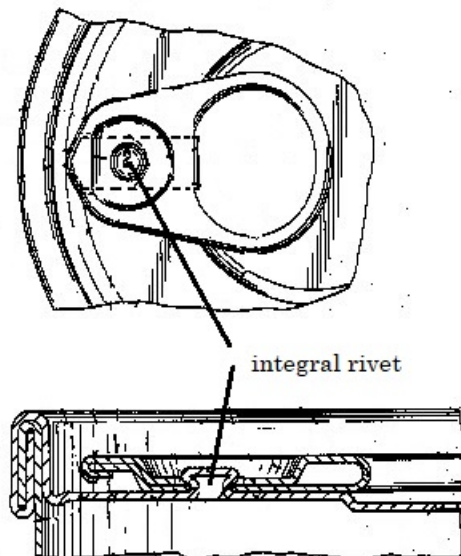
The use of B65D2517/00-series Indexing Codes is mandatory.

B65D 17/353

Definition statement

This place covers:

Illustrative example of subject matter classified in this group:



Special rules of classification

The use of B65D2517/00-series Indexing Codes is mandatory.

DATE: AUGUST 1, 2021

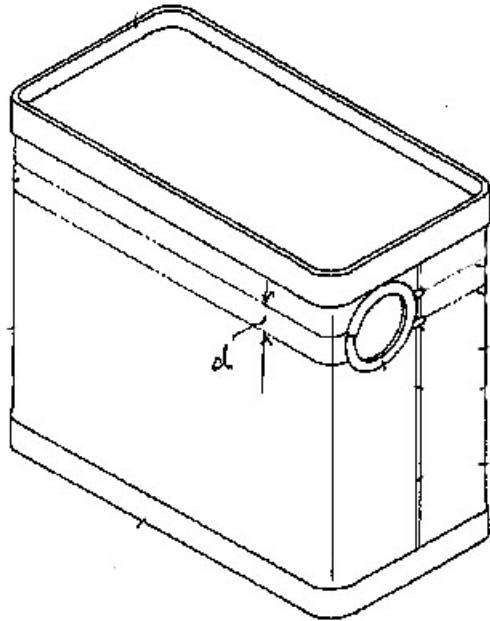
PROJECT DP0229

B65D 17/38

Definition statement

This place covers:

Illustrative example of subject matter classified in this group:



References

Informative references

Attention is drawn to the following places, which may be of interest for search:

With tongues or tags for engagement by slotted keys

B65D 17/464

Special rules of classification

The use of B65D2517/00-series Indexing Codes is mandatory.

DATE: AUGUST 1, 2021

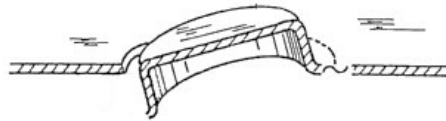
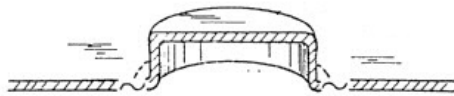
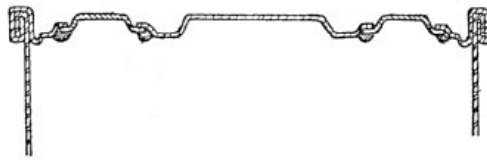
PROJECT DP0229

B65D 17/401

Definition statement

This place covers:

Illustrative example of subject matter classified in this group:



References

Informative references

Attention is drawn to the following places, which may be of interest for search:

Pour spouts, nozzles, tubes having frangible closures	B65D 47/10
Closures with venting means whereby venting occurs by rupturing a portion of the closure	B65D 51/1677

Special rules of classification

The use of B65D2517/00-series Indexing Codes is mandatory.

DATE: AUGUST 1, 2021

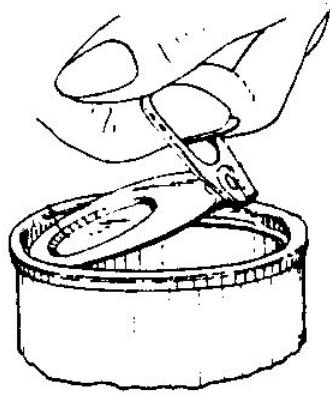
PROJECT DP0229

B65D 17/4011

Definition statement

This place covers:

Illustrative example of subject matter classified in this group:



A large part of, or the entire end wall is opened.

References

Informative references

Attention is drawn to the following places, which may be of interest for search:

Membranes with a tearing element	B65D 47/103
----------------------------------	-----------------------------

Special rules of classification

The use of B65D2517/00-series Indexing Codes is mandatory.

DATE: AUGUST 1, 2021

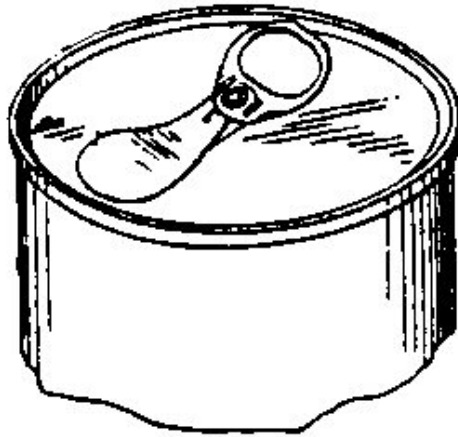
PROJECT DP0229

B65D 17/4012

Definition statement

This place covers:

Illustrative example of subject matter classified in this group:



Only a part of the end wall is opened, e.g. typical beverage can

References

Informative references

Attention is drawn to the following places, which may be of interest for search:

Break-in flaps, or members adapted to be torn-off, to provide pouring openings	B65D 5/70
Membranes with a tearing element	B65D 47/103

Special rules of classification

The use of B65D2517/00-series Indexing Codes is mandatory.

DATE: AUGUST 1, 2021

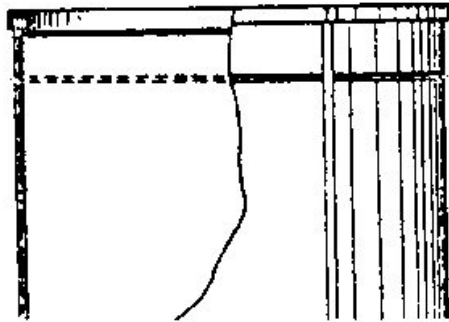
PROJECT DP0229

B65D 17/402

Definition statement

This place covers:

Illustrative example of subject matter classified in this group:



References

Limiting references

This place does not cover:

Wires, strings or the like, e.g. rip cords	B65D 17/46
--	----------------------------

Informative references

Attention is drawn to the following places, which may be of interest for search:

For bottles	B65D 1/0223
Lines of weakness facilitating opening of carton containers, e.g. carton boxes	B65D 5/54

Special rules of classification

The use of B65D2517/00-series Indexing Codes is mandatory.

DATE: AUGUST 1, 2021

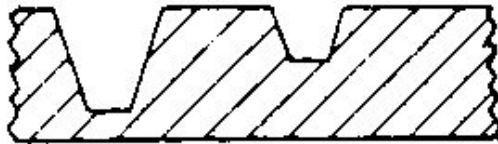
PROJECT DP0229

B65D 17/404

Definition statement

This place covers:

Illustrative example of subject matter classified in this group:



For example details of the depth or shape of the line of weakness.

Special rules of classification

The use of B65D2517/00-series Indexing Codes is mandatory.

B65D 17/42

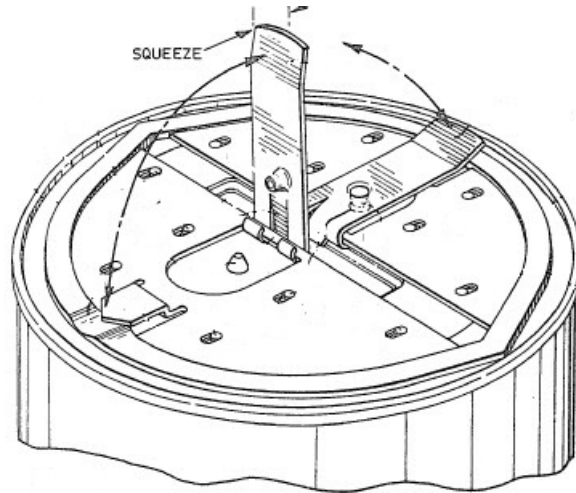
Definition statement

This place covers:

Illustrative example of subject matter classified in this group:

DATE: AUGUST 1, 2021

PROJECT DP0229



References

Limiting references

This place does not cover:

For opening at lines or points of weakness
--

B65D 17/28

Informative references

Attention is drawn to the following places, which may be of interest for search:

Attached can-cutting devices

B65D 17/521

Special rules of classification

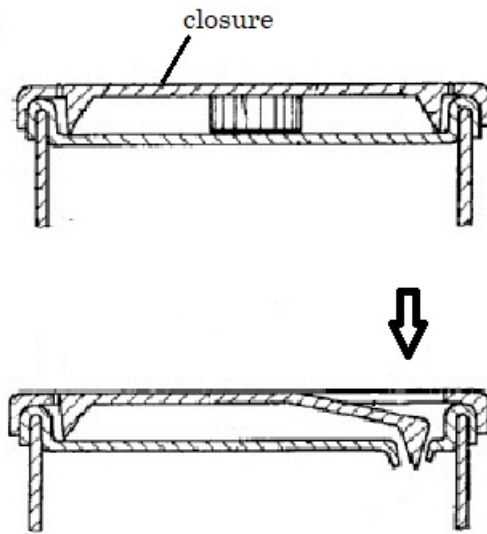
The use of B65D2517/00-series Indexing Codes is mandatory.

B65D 17/44

Definition statement

This place covers:

Illustrative example of subject matter classified in this group:



Special rules of classification

The use of B65D2517/00-series Indexing Codes is mandatory.

DATE: AUGUST 1, 2021

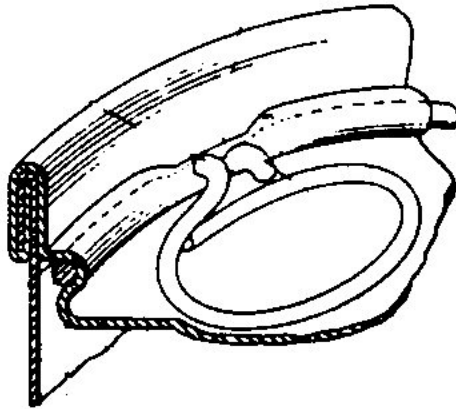
PROJECT DP0229

B65D 17/462

Definition statement

This place covers:

Illustrative example of subject matter classified in this group:



References

Informative references

Attention is drawn to the following places, which may be of interest for search:

Inserted or applied tearing-strings or like flexible elements	B65D 75/66
Tearing-strings or like flexible elements	B65D 77/32

Special rules of classification

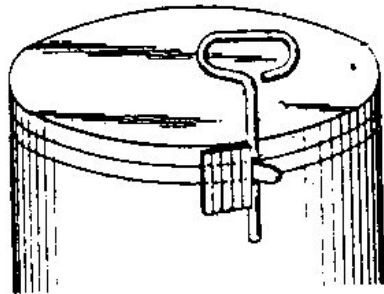
The use of B65D2517/00-series Indexing Codes is mandatory.

B65D 17/464

Definition statement

This place covers:

Illustrative example of subject matter classified in this group:



Special rules of classification

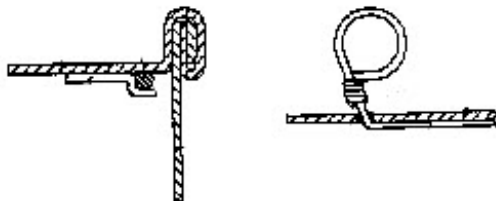
The use of B65D2517/00-series Indexing Codes is mandatory.

B65D 17/48

Definition statement

This place covers:

Illustrative example of subject matter classified in this group:



DATE: AUGUST 1, 2021

PROJECT DP0229

Special rules of classification

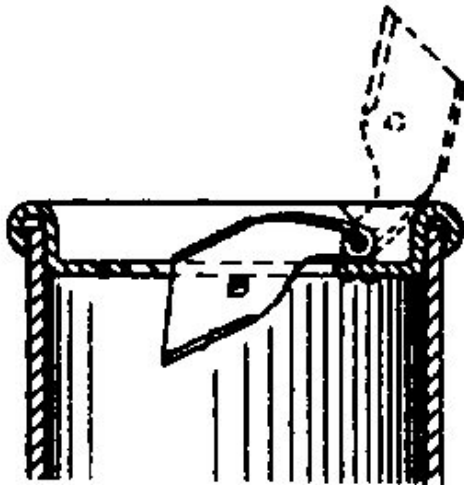
The use of B65D2517/00-series Indexing Codes is mandatory.

B65D 17/521

Definition statement

This place covers:

Illustrative example of subject matter classified in this group:



Special rules of classification

The use of B65D2517/00-series Indexing Codes is mandatory.

DATE: AUGUST 1, 2021

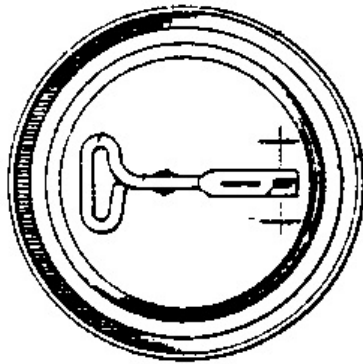
PROJECT DP0229

B65D 17/523

Definition statement

This place covers:

Illustrative example of subject matter classified in this group:



Special rules of classification

The use of B65D2517/00-series Indexing Codes is mandatory.

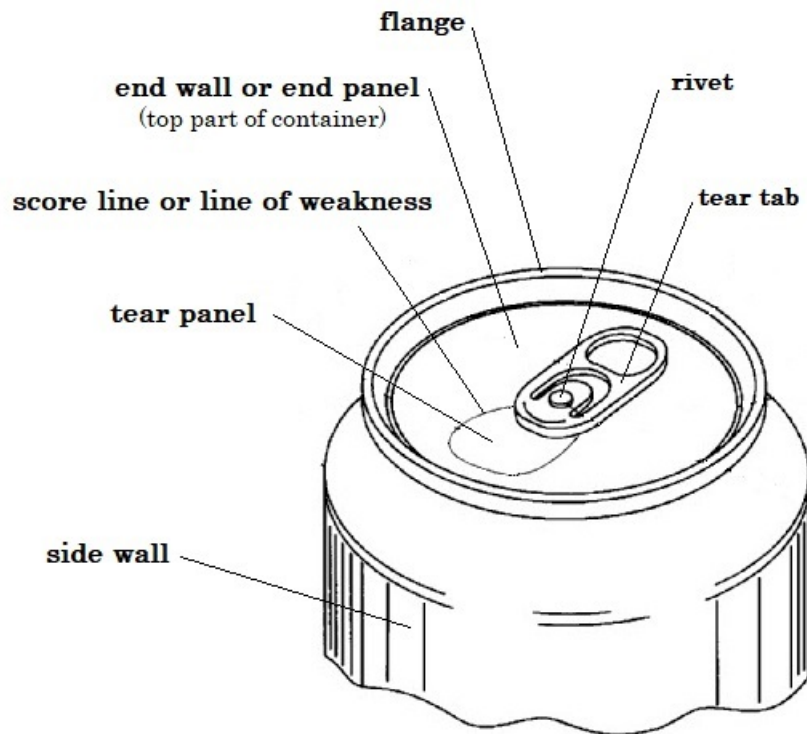
2. A. DEFINITIONS (modified)

B65D 17/00

Definition statement

This place covers:

Illustrative example of subject matter classified in this group:



Typical beverage can with a list of its components and terms usually found in the B65D17/00 patent literature.

DATE: AUGUST 1, 2021

PROJECT DP0229

ReferencesInsert: The following new Limiting references section.***Limiting references***

This place does not cover:

Opening arrangements or devices for containers made by winding, bending or folding paper	B65D3/00, B65D5/00
Frangible inner closure members associated with caps, lids or covers	B65D51/20

Informative referencesReplace: The existing Informative references table with the following revised table.

Opening devices added or incorporated during filling or closing of containers	B65D77/30
Manufacture of metal containers, closures, e.g. caps	B21D51/00
Separate devices for opening closed containers	B67B7/00

Insert: The following new Special rules of classification and Glossary of terms sections.**Special rules of classification**

The use of B65D2517/00-series Indexing Codes is mandatory.

DATE: AUGUST 1, 2021

PROJECT DP0229

B65D 17/06

References

Delete: The Limiting references section.

Insert: The following new Informative references section.

Informative references

Attention is drawn to the following places, which may be of interest for search:

Integral frangible closures	B65D1/0238
-----------------------------	----------------------------

Insert: The following new Special rules of classification section.

Special rules of classification

The use of B65D2517/00-series Indexing Codes is mandatory.

B65D 17/08

Insert: The following new Definition statement and image.

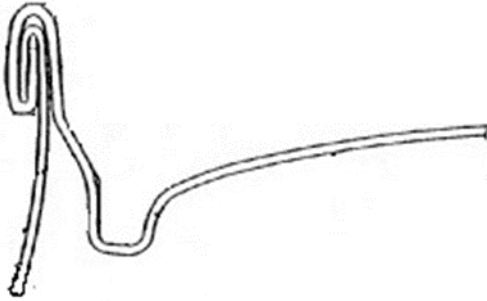
Definition statement

This place covers:

Illustrative example of subject matter classified in this group:

DATE: AUGUST 1, 2021

PROJECT DP0229



References

Delete: The Limiting references section and table.

Informative references

Insert: The following new row into the Informative references table.

Reusable closures	B65D43/0233 , B65D43/0285
-------------------	--

Insert: The following new Special rules of classification section.

Special rules of classification

The use of B65D2517/00-series Indexing Codes is mandatory.

B65D 17/10

Insert: The following new Definition statement and image.

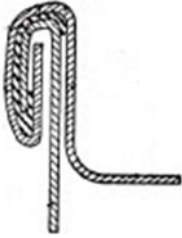
Definition statement

This place covers:

Illustrative example of subject matter classified in this group:

DATE: AUGUST 1, 2021

PROJECT DP0229



References

Delete: The Limiting references section and table.

Insert: The following new Informative references section and table.

Informative references

Attention is drawn to the following places, which may be of interest for search:

Reusable closures	B65D43/0233 , B65D43/0285
-------------------	--

Insert: The following new Special rules of classification section.

Special rules of classification

The use of B65D2517/00-series Indexing Codes is mandatory.

B65D 17/12

Insert: The following new Definition statement and image.

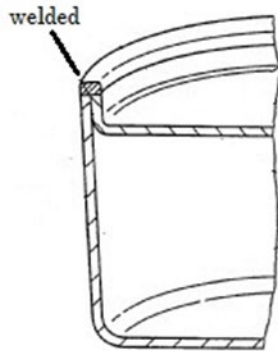
Definition statement

This place covers:

Illustrative example of subject matter classified in this group:

DATE: AUGUST 1, 2021

PROJECT DP0229



Insert: The following new Special rules of classification section.

Special rules of classification

The use of B65D2517/00-series Indexing Codes is mandatory.

B65D 53/00

References

Delete: The Limiting references section.

Informative references

Insert: The following new row into the Informative references table.

Materials in mouldable or extrudable form for sealing or packing joints or covers	C09K 3/10
---	---------------------------

Insert: The following new Special rules of classification section.

Special rules of classification

DATE: AUGUST 1, 2021

PROJECT DP0229

Sealings or packing means combined with particular closures are classified with the closures, e.g. in subgroups of B65D39/00 together with indexing codes out of B65D2539/00, or in the groups B65D41/005, B65D41/0435.

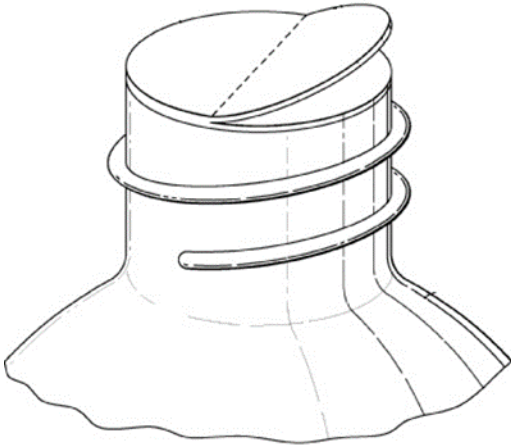
B65D 53/08

Definition statement

Replace: The existing Definition statement text and images with the following revised text and new image.

Adhesive strips or membranes that close an aperture and are totally removed to uncover the aperture are classified here.

Illustrative example of subject matter classified in this group:



DATE: AUGUST 1, 2021

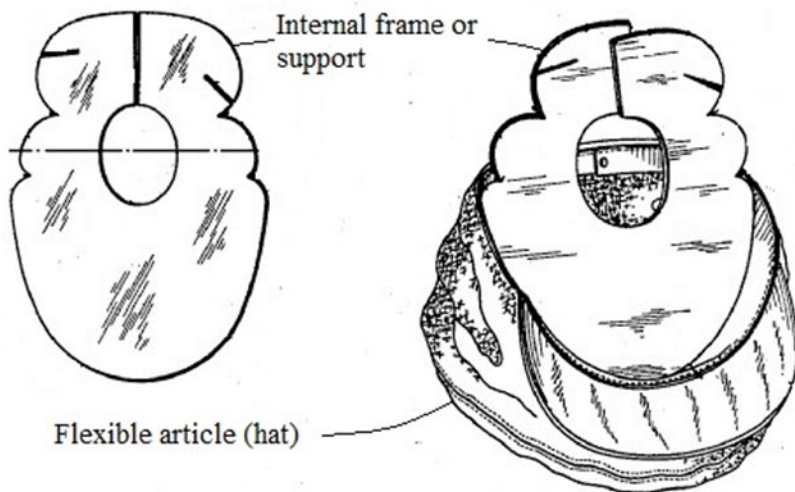
PROJECT DP0229

B65D 57/00

Definition statement

Replace: The images of the Definition statement so that the Definition statement looks as follows.

Illustrative example of subject matter classified in this group:



Insert: The following new Special Rules of Classification section.

Special Rules of Classification

The internal frame or support is for a flexible object, e.g. hats, linens, clothing. In this group an object would not comprise a flexible package. Flexible packages with internal frames or supports are classified in B65D33/02 and exceptionally in the B65D75/52.

B65D 79/005

Definition statement

Replace: The existing Definition statement text and image with the following new text.

DATE: AUGUST 1, 2021

PROJECT DP0229

Flexible packages having deformable parts for indicating or neutralizing internal pressure variations by other means than venting.

Insert: The following new Special Rules of Classification section.

Special rules of classification

Means for rigid or semi-rigid containers are classified in B65D79/008.

Means for closures, e.g. caps or lids are classified in B65D79/0087.

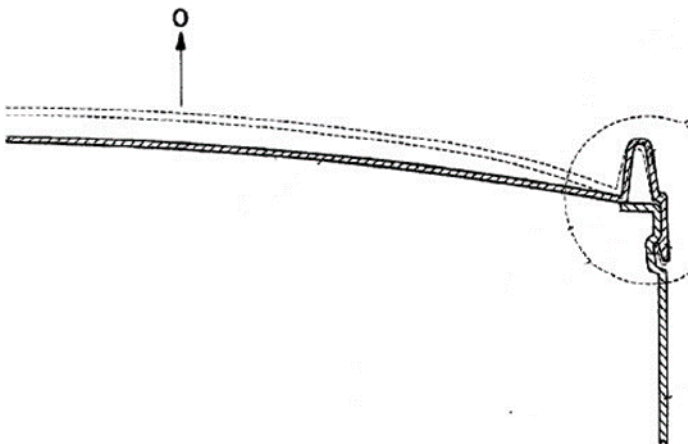
B65D 79/0087

Definition statement

Insert: A new second paragraph of text and new second image so that the Definition statement appears as follows.

Illustrative example of subject matter classified in this group.

These type of closures are used, for example, in hot-fill packaging of beverages.



CPC NOTICE OF CHANGES 1161

DATE: AUGUST 1, 2021

PROJECT DP0229

