

EUROPEAN PATENT OFFICE
U.S. PATENT AND TRADEMARK OFFICE

CPC NOTICE OF CHANGES 1120

DATE: AUGUST 1, 2021

PROJECT RP0659

The following classification changes will be effected by this Notice of Changes:

<u>Action</u>	<u>Subclass</u>	<u>Group(s)</u>
SCHEME:		
Symbols Deleted:	A61B	2017/90
	A61F	2002/48, 2002/481, 2002/482, 2002/484, 2002/485, 2002/487, 2002/488, 2002/74, 2002/741, 2002/742, 2002/744, 2002/745, 2002/747, 2002/748
	A61N	2005/067
	B01D	2029/075
	B01D	2033/052
	D03C	9/028, 2009/04
	E05B	2027/10
	F16B	2007/16
	F16B	2013/10, 2013/105
	F16B	2021/14
	F16B	2033/04
	G01C	2011/36
	G03C	2009/08
	H01L	2021/60, 2021/603, 2021/607
Symbols New:	A61B	17/90
	A61F	2/48, 2/481, 2/482, 2/484, 2/488, 2/74, 2/741, 2/742, 2/744, 2/748
	A61N	5/067
	B01D	29/075
	B01D	33/052
	D03C	9/04
	E05B	27/10
	F16B	7/16
	F16B	13/10
	F16B	21/14
	F16B	33/04
	G01C	11/36
	G03C	9/08
	H01L	21/60, 21/603, 21/607
Titles Changed:	A61F	2002/501, 2002/5032, 2/72
	B01D	9/02
	E05B	27/00
Warnings Modified:	A61B	SUBCLASS
	A61F	SUBCLASS
	A61N	SUBCLASS
	B01D	SUBCLASS
	D03C	SUBCLASS
	F16B	SUBCLASS

CPC NOTICE OF CHANGES 1120

DATE: AUGUST 1, 2021

PROJECT RP0659

<u>Action</u>	<u>Subclass</u>	<u>Group(s)</u>
	G01C	SUBCLASS
	G03C	SUBCLASS
	H01L	SUBCLASS
Notes New:	B01D	29/075
DEFINITIONS:		
Definitions Deleted: (no frozen (F) symbol definitions should be deleted)	A61F	2002/482
	D03C	9/028
Definitions Modified:	E05B	27/00

The following subclasses/groups are also impacted by this Notice of Changes (indicate subclasses/groups outside of the project scope, such as those listed in the CRL):

F16D41/00; A61B; A61B5/389; A61B5/4851; A61F2/28; A61F2/30; A61F2/30739; A61F5/00; F16M11/26; H01S

No other subclasses/groups are impacted by this Notice of Changes.

This Notice of Changes includes the following [Check the ones included]:

1. CLASSIFICATION SCHEME CHANGES

- A. New, Modified or Deleted Group(s)
- B. New, Modified or Deleted Warning(s)
- C. New, Modified or Deleted Note(s)
- D. New, Modified or Deleted Guidance Heading(s)

2. DEFINITIONS

- A. New or Modified Definitions (Full definition template)
- B. Modified or Deleted Definitions (Definitions Quick Fix)

3. REVISION CONCORDANCE LIST (RCL)

4. CHANGES TO THE CPC-TO-IPC CONCORDANCE LIST (CICL)

5. CHANGES TO THE CROSS-REFERENCE LIST (CRL)

CPC NOTICE OF CHANGES 1120

DATE: AUGUST 1, 2021

PROJECT RP0659

1. CLASSIFICATION SCHEME CHANGES

A. New, Modified or Deleted Group(s)

SUBCLASS A61B - DIAGNOSIS; SURGERY; IDENTIFICATION (analysing biological material G01N, e.g. G01N33/48; obtaining records using waves other than optical waves, in general G03B42/00)

<u>Type*</u>	<u>Symbol</u>	<u>Indent Level Number of dots (e.g. 0, 1, 2)</u>	<u>Title (new or modified) "CPC only" text should normally be enclosed in {curly brackets}**</u>	<u>Transferred to[#]</u>
U	A61B17/8897	4	{Guide wires or guide pins}	
N	A61B17/90	4	Guides therefor	
D	A61B2017/90	4	{Guides therefor}	<administrative transfer to A61B17/90 INV>

SUBCLASS A61F - FILTERS IMPLANTABLE INTO BLOOD VESSELS; PROSTHESES; DEVICES PROVIDING PATENCY TO, OR PREVENTING COLLAPSING OF, TUBULAR STRUCTURES OF THE BODY, e.g. STENTS; ORTHOPAEDIC, NURSING OR CONTRACEPTIVE DEVICES; FOMENTATION; TREATMENT OR PROTECTION OF EYES OR EARS; BANDAGES, DRESSINGS OR ABSORBENT PADS; FIRST-AID KITS (dental prosthetics A61C)

<u>Type*</u>	<u>Symbol</u>	<u>Indent Level Number of dots (e.g. 0, 1, 2)</u>	<u>Title (new or modified) "CPC only" text should normally be enclosed in {curly brackets}**</u>	<u>Transferred to[#]</u>
U	A61F2002/4698	5	{magnetic}	
N	A61F2/48	2	Operating or control means, e.g. from outside the body, control of sphincters	
D	A61F2002/48	2	{Operating or control means}	<administrative transfer to A61F2/48 INV>
N	A61F 2/481	3	{Acoustic or audible means}	
D	A61F2002/481	3	{acoustic or audible}	<administrative transfer to A61F2/481 INV>
N	A61F 2/482	3	{Electrical means}	
D	A61F2002/482	3	{electrical}	<administrative transfer to A61F2/482 INV>
N	A61F 2/484	3	{Fluid means, i.e. hydraulic or pneumatic}	
D	A61F2002/484	3	{fluid}	<administrative transfer to A61F2/484 INV>
D	A61F2002/485	4	{hydraulic}	<administrative transfer to A61F2/484 INV>
D	A61F2002/487	4	{pneumatic}	<administrative transfer to A61F2/484 INV>
N	A61F 2/488	3	{Means for detecting or monitoring wear}	

CPC NOTICE OF CHANGES 1120

DATE: AUGUST 1, 2021

PROJECT RP0659

<u>Type*</u>	<u>Symbol</u>	<u>Indent Level Number of dots (e.g. 0, 1, 2)</u>	<u>Title (new or modified)</u> <u>“CPC only” text should normally be enclosed in {curly brackets}**</u>	<u>Transferred to#</u>
D	A61F2002/488	3	{Means for detecting or monitoring wear}	<administrative transfer to A61F2/488 INV>
M	A61F2002/501	2	{having an inflatable pocket filled with fluid, i.e. liquid or gas}	
M	A61F2002/5032	3	{for adjusting fluid pressure}	
M	A61F2/72	4	Bioelectric control, e.g. myoelectric	
N	A61F2/74	3	fluid{, i.e. hydraulic or pneumatic}	
D	A61F2002/74	3	{fluid, i.e. hydraulic or pneumatic (inflatable pocket filled with fluid A61F2002/501)}	<administrative transfer to A61F2/74 INV>
N	A61F 2/741	4	{using powered actuators, e.g. stepper motors or solenoids}	
D	A61F2002/741	4	{using powered actuators, e.g. stepper motors or solenoids}	<administrative transfer to A61F2/741 INV>
N	A61F 2/742	4	{Low pressure systems, e.g. vacuum pump}	
D	A61F2002/742	4	{Low pressure systems, e.g. vacuum pump}	<administrative transfer to A61F2/742 INV>
N	A61F 2/744	4	{Vane- or curved-cylinder type actuators, e.g. actuators using rotary pistons}	
D	A61F2002/744	4	{Vane- or curved-cylinder type actuators, e.g. actuators using rotary pistons}	<administrative transfer to A61F2/744 INV>
D	A61F2002/745	4	{hydraulic}	<administrative transfer to A61F2/74 INV>
D	A61F2002/747	4	{pneumatic}	<administrative transfer to A61F2/74 INV>
N	A61F 2/748	4	{Valve systems}	
D	A61F2002/748	4	{Valve systems}	<administrative transfer to A61F2/748 INV>

SUBCLASS A61N - ELECTROTHERAPY; MAGNETOTHERAPY; RADIATION THERAPY; ULTRASOUND THERAPY (measurement of bioelectric currents A61B; surgical instruments, devices or methods for transferring non-mechanical forms of energy to or from the body A61B18/00; anaesthetic apparatus in general A61M; incandescent lamps H01K; infra-red radiators for heating H05B)

<u>Type*</u>	<u>Symbol</u>	<u>Indent Level Number of dots (e.g. 0, 1, 2)</u>	<u>Title (new or modified)</u> <u>“CPC only” text should normally be enclosed in {curly brackets}**</u>	<u>Transferred to#</u>
U	A61N2005/0668	3	{Apparatus adapted for operation in a moist environment, e.g. bath or shower}	

CPC NOTICE OF CHANGES 1120

DATE: AUGUST 1, 2021

PROJECT RP0659

<u>Type*</u>	<u>Symbol</u>	<u>Indent Level Number of dots (e.g. 0, 1, 2)</u>	<u>Title</u> <u>“CPC only” text should normally be enclosed in {curly brackets}**</u>	<u>Transferred to#</u>
N	A61N5/067	2	using laser light	
D	A61N2005/067	2	{using laser light}	<administrative transfer to A61N5/067 INV>

SUBCLASS B01D - SEPARATION (separating solids from solids by wet methods B03B, B03D; by pneumatic jigs or tables B03B; by other dry methods B07; magnetic or electrostatic separation of solid materials from solid materials or fluids, separation by high-voltage electric fields B03C; centrifuges, vortex apparatus B04; presses per se for squeezing-out liquid from liquid-containing material B30B9/02; treatment of water C02F, e.g. softening by ion-exchange C02F1/42; {arrangements of air intake cleaners in gas turbine plants F02C7/05} ; arrangements or mounting of filters in air-conditioning, air-humidification or ventilation F24F13/28)

<u>Type*</u>	<u>Symbol</u>	<u>Indent Level Number of dots (e.g. 0, 1, 2)</u>	<u>Title</u> <u>“CPC only” text should normally be enclosed in {curly brackets}**</u>	<u>Transferred to#</u>
M	B01D9/02	1	from solutions	
U	B01D29/073	4	{with wound filtering sheets}	
N	B01D29/075	2	located in a closed housing and comprising scrapers or agitators on the cake side of the filtering elements, e.g. Nutsche- or Rosenmund-type filters for performing multiple step operations such as chemical reactions, filtering and cake treatment	
D	B01D2029/075	1	{Located in a closed housing and comprising scrapers or agitators on the cake side of the filtering elements, e.g. Nutsche- or Rosenmund-type filters for performing multiple step operations}	<administrative transfer to B01D29/075 INV>
U	B01D33/048	2	with endless filtering bands	
N	B01D33/052	3	combined with a compression device (B01D 33/64 takes precedence)	
D	B01D2033/052	3	{combined with a compression device}	<administrative transfer to B01D33/052 INV>

SUBCLASS D03C - SHEDDING MECHANISMS; PATTERN CARDS OR CHAINS; PUNCHING OF CARDS; DESIGNING PATTERNS

CPC NOTICE OF CHANGES 1120

DATE: AUGUST 1, 2021

PROJECT RP0659

<u>Type*</u>	<u>Symbol</u>	<u>Indent Level Number of dots (e.g. 0, 1, 2)</u>	<u>Title</u> <u>“CPC only” text should normally be enclosed in {curly brackets}**</u>	<u>Transferred to#</u>
U	D03C9/026	2	{Material used}	
N	D03C9/04	2	Metal healds	
D	D03C9/028	3	{Metal}	<administrative transfer to D03C9/04 INV>
D	D03C2009/04	2	{Metal healds}	<administrative transfer to D03C9/04 INV>

SUBCLASS E05B - LOCKS; ACCESSORIES THEREFOR; HANDCUFFS

<u>Type*</u>	<u>Symbol</u>	<u>Indent Level Number of dots (e.g. 0, 1, 2)</u>	<u>Title</u> <u>“CPC only” text should normally be enclosed in {curly brackets}**</u>	<u>Transferred to#</u>
M	E05B27/00	0	Cylinder locks {or other locks} with tumbler pins or balls that are set by pushing the key in	
U	E05B27/086	3	{of the bar-tumbler type, the bars having slots or protrusions in alignment upon opening the lock}	
N	E05B27/10	1	operated by other surfaces of the key, e.g. openings receiving projections on the tumblers	
D	E05B2027/10	1	{Tumblers operated by other surfaces than the edge of the key}	<administrative transfer to E05B27/10 INV>

CPC NOTICE OF CHANGES 1120

DATE: AUGUST 1, 2021

PROJECT RP0659

SUBCLASS F16B - DEVICES FOR FASTENING OR SECURING CONSTRUCTIONAL ELEMENTS OR MACHINE PARTS TOGETHER, e.g. NAILS, BOLTS, CIRCLIPS, CLAMPS, CLIPS, WEDGES, JOINTS OR JOINTING (couplings for transmitting rotation F16D)

<u>Type*</u>	<u>Symbol</u>	<u>Indent Level Number of dots (e.g. 0, 1, 2)</u>	<u>Title</u> “CPC only” text should normally be enclosed in {curly brackets}**	<u>Transferred to#</u>
U	F16B 7/149	3	{with a sleeve or ring having a tapered or conical surface (F16B 7/1463 takes precedence)}	
N	F16B7/16	3	locking only against movement in one direction	
D	F16B2007/16	3	{locking only against movement in one direction}	<administrative transfer to F16B7/16 INV>
U	F16B 13/0891	3	{with a locking element, e.g. wedge, key or ball moving along an inclined surface of the dowel body (F16B 13/0816, F16B 13/0825, F16B 13/0883 take precedence)}	
N	F16B13/10	2	with separate gripping parts moved into their final position in relation to the body of the device by a separate operation (F16B 13/06 takes precedence)	
D	F16B2013/10	2	{with gripping parts moved into their final position in relation to the body of the device by a separate operation}	<administrative transfer to F16B13/10 INV>
D	F16B2013/105	3	{with a toggle-mechanism}	<administrative transfer to F16B13/10 INV>
U	F16B21/125	3	{radially resilient or with a snap-action member, e.g. elastic tooth, pawl with spring, resilient coil or wire}	
N	F16B21/14	3	Details of locking-pins or split-pins	
D	F16B2021/14	3	{Details of locking-pins or split-pins}	<administrative transfer to F16B21/14 INV>
U	F16B2033/025	2	{with left-hand thread}	
N	F16B33/04	2	in view of tensile load	
D	F16B2033/04	2	{in view of tensile load}	<administrative transfer to F16B33/04 INV>

SUBCLASS G01C - MEASURING DISTANCES, LEVELS OR BEARINGS; SURVEYING; NAVIGATION; GYROSCOPIC INSTRUMENTS; PHOTOGRAMMETRY OR VIDEOGRAMMETRY (measuring dimensions or angles of objects G01B; measuring liquid level G01F; measuring intensity or direction of magnetic fields, other than the earth's field, in general G01R; radio navigation, determining distance or velocity by use of propagation effects, e.g. Doppler effects, propagation time, of radio waves, analogous arrangements using other waves G01S; optical systems therefor G02B; maps, globes G09B)

CPC NOTICE OF CHANGES 1120

DATE: AUGUST 1, 2021

PROJECT RP0659

<u>Type*</u>	<u>Symbol</u>	<u>Indent Level Number of dots (e.g. 0, 1, 2)</u>	<u>Title</u> <u>“CPC only” text should normally be enclosed in {curly brackets}**</u>	<u>Transferred to#</u>
U	G01C11/34	3	Aerial triangulation	
N	G01C11/36	1	Videogrammetry, i.e. electronic processing of video signals{ from a single source or }from different sources to give parallax or range information	
D	G01C2011/36	1	{Videogrammetry, i.e. electronic processing of video signals from a single source or from different sources to give parallax or range information}	<administrative transfer to G01C11/36 INV>

SUBCLASS G03C - PHOTSENSITIVE MATERIALS FOR PHOTOGRAPHIC PURPOSES (for photomechanical purposes G03F); PHOTOGRAPHIC PROCESSES, e.g. CINE, X-RAY, COLOUR, STEREO-PHOTOGRAPHIC PROCESSES; AUXILIARY PROCESSES IN PHOTOGRAPHY (photographic processes characterised by the use or manipulation of apparatus classifiable per se in subclass G03B, see G03B; photomechanical production of textured or patterned surfaces G03F; electrophotography, magnetography G03G)

<u>Type*</u>	<u>Symbol</u>	<u>Indent Level Number of dots (e.g. 0, 1, 2)</u>	<u>Title</u> <u>“CPC only” text should normally be enclosed in {curly brackets}**</u>	<u>Transferred to#</u>
U	G03C9/06	1	Anaglyph	
N	G03C9/08	1	Producing three-dimensional images	
D	G03C2009/08	1	{Producing three-dimensional images}	<administrative transfer to G03C9/08 INV>

SUBCLASS H01L - SEMICONDUCTOR DEVICES; ELECTRIC SOLID STATE DEVICES NOT OTHERWISE PROVIDED FOR (use of semiconductor devices for measuring G01; resistors in general H01C; magnets, inductors, transformers H01F; capacitors in general H01G; electrolytic devices H01G9/00; batteries, accumulators H01M; waveguides, resonators, or lines of the waveguide type H01P; line connectors, current collectors H01R; stimulated-emission devices H01S; electromechanical resonators H03H; loudspeakers, microphones, gramophone pick-ups or like acoustic electromechanical transducers H04R; electric light sources in general H05B; printed circuits, hybrid circuits, casings or constructional details of electrical apparatus, manufacture of assemblages of electrical components H05K; use of semiconductor devices in circuits having a particular application, see the subclass for the application)

<u>Type*</u>	<u>Symbol</u>	<u>Indent Level Number of dots (e.g. 0, 1, 2)</u>	<u>Title</u> <u>“CPC only” text should normally be enclosed in {curly brackets}**</u>	<u>Transferred to#</u>
U	H01L21/568	5	{Temporary substrate used as encapsulation process aid	

CPC NOTICE OF CHANGES 1120

DATE: AUGUST 1, 2021

PROJECT RP0659

<u>Type*</u>	<u>Symbol</u>	<u>Indent Level Number of dots (e.g. 0, 1, 2)</u>	<u>Title “CPC only” text should normally be enclosed in {curly brackets}**</u>	<u>Transferred to#</u>
			(H01L21/4832 and H01L21/566 take precedence)}	
N	H01L21/60	4	Attaching{or detaching}leads or other conductive members, to be used for carrying current to or from the device in operation	
D	H01L2021/60	4	{ Attaching or detaching leads or other conductive members, to be used for carrying current to or from the device in operation }	<administrative transfer to H01L21/60 INV>
U	H01L2021/60007	5	{involving a soldering or an alloying process}	
U	H01L2021/60015	6	{using plate connectors, e.g. layer, film}	
U	H01L2021/60022	6	{using bump connectors, e.g. for flip chip mounting}	
U	H01L2021/6003	7	{Apparatus therefor}	
U	H01L2021/60037	7	{Right-up bonding}	
U	H01L2021/60045	7	{Pre-treatment step of the bump connectors prior to bonding}	
U	H01L2021/60052	8	{Oxide removing step, e.g. flux, rosin}	
U	H01L2021/6006	7	{with temporary supporting member not part of an apparatus, e.g. removable coating, film or substrate}	
U	H01L2021/60067	7	{Aligning the bump connectors with the mounting substrate}	
U	H01L2021/60075	8	{involving active alignment, i.e. by apparatus steering, e.g. using alignment marks, sensors}	
U	H01L2021/60082	8	{involving passive alignment, e.g. using surface energy, chemical reactions, thermal equilibrium}	
U	H01L2021/6009	8	{involving guiding structures, e.g. structures that are left at least partly in the bonded product, spacers}	
U	H01L2021/60097	7	{Applying energy, e.g. for the soldering or alloying process}	
U	H01L2021/60105	8	{using electromagnetic radiation}	
U	H01L2021/60112	9	{Coherent radiation, i.e. laser beam}	
U	H01L2021/6012	9	{Incoherent radiation, e.g. polychromatic heating lamp}	
U	H01L2021/60127	9	{Induction heating, i.e. eddy currents}	
U	H01L2021/60135	8	{using convection, e.g. reflow oven}	
U	H01L2021/60142	9	{with a graded temperature profile}	
U	H01L2021/6015	8	{using conduction, e.g. chuck heater, thermocompression}	
U	H01L2021/60157	9	{with a graded temperature profile}	
U	H01L2021/60165	8	{using an electron beam}	
U	H01L2021/60172	8	{using static pressure}	

CPC NOTICE OF CHANGES 1120

DATE: AUGUST 1, 2021

PROJECT RP0659

<u>Type*</u>	<u>Symbol</u>	<u>Indent Level Number of dots (e.g. 0, 1, 2)</u>	<u>Title “CPC only” text should normally be enclosed in {curly brackets}**</u>	<u>Transferred to#</u>
U	H01L2021/6018	9	{Unidirectional static pressure}	
U	H01L2021/60187	9	{Isostatic pressure, e.g. degassing using vacuum or pressurised liquid}	
U	H01L2021/60195	8	{using dynamic pressure, e.g. ultrasonic or therosonic bonding}	
U	H01L2021/60202	8	{using a protective atmosphere, e.g. with forming or shielding gas}	
U	H01L2021/6021	8	{using an autocatalytic reaction}	
U	H01L2021/60217	7	{Detaching bump connectors, e.g. after testing}	
U	H01L2021/60225	7	{Arrangement of bump connectors prior to mounting}	
U	H01L2021/60232	8	{wherein the bump connectors are disposed only on the semiconductor chip}	
U	H01L2021/6024	8	{wherein the bump connectors are disposed only on the mounting substrate}	
U	H01L2021/60247	8	{wherein the bump connectors are disposed on both the semiconductor chip and the mounting substrate, e.g. bump to bump}	
U	H01L2021/60255	8	{wherein the bump connectors are provided as prepeg, e.g. are provided in an insulating plate member}	
U	H01L2021/60262	8	{Lateral distribution of bump connectors prior to mounting}	
U	H01L2021/6027	6	{Mounting on semiconductor conductive members}	
U	H01L2021/60277	5	{involving the use of conductive adhesives}	
U	H01L2021/60285	5	{involving the use of mechanical auxiliary parts without the use of an alloying of soldering process, e.g. pressure contacts}	
U	H01L2021/60292	5	{involving the use of an electron or laser beam}	
N	H01L21/603	5	involving the application of pressure, e.g. thermo-compression bonding (H01L 21/607 takes precedence)	
D	H01L2021/603	5	{involving the application of pressure, e.g. thermo-compression bonding}	<administrative transfer to H01L21/603 INV>
N	H01L21/607	5	involving the application of mechanical vibrations, e.g. ultrasonic vibrations	
D	H01L2021/607	5	{involving the application of mechanical vibrations, e.g. ultrasonic vibrations}	<administrative transfer to H01L21/607 INV>

CPC NOTICE OF CHANGES 1120

DATE: AUGUST 1, 2021

PROJECT RP0659

*N = new entries where reclassification into entries is involved; C = entries with modified file scope where reclassification of documents from the entries is involved; Q = new entries which are firstly populated with documents via administrative transfers from deleted (D) entries. Afterwards, the transferred documents into the Q entry will either stay or be moved to more appropriate entries, as determined by intellectual reclassification; T= existing entries with enlarged file scope, which receive documents from C or D entries, e.g. when a limiting reference is removed from the entry title; M = entries with no change to the file scope (no reclassification); D = deleted entries; F = frozen entries will be deleted once reclassification of documents from the entries is completed; U = entries that are unchanged.

NOTES:

- **No {curly brackets} are used for titles in CPC only subclasses, e.g. C12Y, A23Y; 2000 series symbol titles of groups found at the end of schemes (orthogonal codes); or the Y section titles. The {curly brackets} are used for 2000 series symbol titles found interspersed throughout the main trunk schemes (breakdown codes).
- U groups: it is obligatory to display the required “anchor” symbol (U group), i.e. the entry immediately preceding a new group or an array of new groups to be created (in case new groups are not clearly subgroups of C-type groups). Always include the symbol, indent level and title of the U group in the table above.
- All entry types should be included in the scheme changes table above for better understanding of the overall scheme change picture. Symbol, indent level, and title are required for all types .
- “Transferred to” column must be completed for all C, D, F, and Q type entries. F groups will be deleted once reclassification is completed.
- When multiple symbols are included in the “Transferred to” column, avoid using ranges of symbols in order to be as precise as possible.
- For administrative transfer of documents, the following text should be used: “< administrative transfer to XX>”, “<administrative transfer to XX and YY simultaneously>”, or “<administrative transfer to XX, YY, ...and ZZ simultaneously>” when administrative transfer of the same documents is to more than one place.
- Administrative transfer to main trunk groups is assumed to be the source allocation type, unless otherwise indicated.
- Administrative transfer to 2000/Y series groups is assumed to be “additional information”.
- If needed, instructions for allocation type should be indicated within the angle brackets using the abbreviations “ADD” or “INV”: <administrative transfer to XX ADD> , <administrative transfer to XX INV>, or < administrative transfer to XX ADD, YY INV, ... and ZZ ADD simultaneously>.
- In certain situations, the “D” entries of 2000-series or Y-series groups may not require a destination (“Transferred to”) symbol, however it is required to specify “<no transfer>” in the “Transferred to” column for such cases.
- For finalisation projects, the deleted “F” symbols should have <no transfer> in the “Transferred to” column.
- For more details about the types of scheme change, see CPC Guide.

CPC NOTICE OF CHANGES 1120

DATE: AUGUST 1, 2021

PROJECT RP0659

B. New, Modified or Deleted Warning(s)**SUBCLASS A61B - DIAGNOSIS; SURGERY; IDENTIFICATION (analysing biological material G01N, e.g. G01N33/48; obtaining records using waves other than optical waves, in general G03B42/00)**

<u>Type*</u>	<u>Location</u>	<u>Old Warning</u>	<u>New/Modified Warning</u>
M	A61B	<p>The following IPC groups are not in the CPC scheme. The subject matter for these IPC groups is classified in the following CPC groups:</p> <p>A61B17/03 covered by A61B17/00 A61B17/125 covered by A61B17/122 A61B17/138 covered by A61B17/12 A61B17/76 covered by A61B17/744 A61B17/78 covered by A61B17/744 A61B17/90 covered by A61B17/88, A61B 2017/90 A61B17/94 covered by A61B17/29</p> <p>In this subclass non-limiting references (in the sense of paragraph 39 of the Guide to the IPC) may still be displayed in the scheme.</p>	<p>The following IPC groups are not in the CPC scheme. The subject matter for these IPC groups is classified in the following CPC groups:</p> <p>A61B17/03 covered by A61B17/00 A61B17/125 covered by A61B17/122 A61B17/138 covered by A61B17/12 A61B17/76 covered by A61B17/744 A61B17/78 covered by A61B17/744 A61B17/94 covered by A61B17/29</p> <p>{ In this subclass non-limiting references (in the sense of paragraph 39 of the Guide to the IPC) may still be displayed in the scheme. }</p>

SUBCLASS A61F - FILTERS IMPLANTABLE INTO BLOOD VESSELS; PROSTHESES; DEVICES PROVIDING PATENCY TO, OR PREVENTING COLLAPSING OF, TUBULAR STRUCTURES OF THE BODY, e.g. STENTS; ORTHOPAEDIC, NURSING OR CONTRACEPTIVE DEVICES; FOMENTATION; TREATMENT OR PROTECTION OF EYES OR EARS; BANDAGES, DRESSINGS OR ABSORBENT PADS; FIRST-AID KITS (dental prosthetics A61C)

<u>Type*</u>	<u>Location</u>	<u>Old Warning</u>	<u>New/Modified Warning</u>
M	A61F	<p>The following IPC groups are not in the CPC scheme. The subject matter for these IPC groups is classified in the following CPC groups:</p> <p>A61F2/48 covered by A61F2/02, A61F2002/48 A61F2/56 covered by A61F2/54 A61F2/62 covered by A61F2/60 A61F2/74 covered by A61F2/68, A61F2002/74 A61F5/045 covered by A61G13/12 A61F5/052 covered by A61F5/05 A61F5/447 covered by A61F5/445 A61F5/452 covered by A61F5/451 A61F5/457 covered by A61F5/451 A61F5/458 covered by A61F5/451 A61F6/10 covered by A61F6/08</p>	<p>The following IPC groups are not in the CPC scheme. The subject matter for these IPC groups is classified in the following CPC groups:</p> <p>A61F2/56 covered by A61F2/54 A61F2/62 covered by A61F2/60 A61F5/045 covered by A61G13/12 A61F5/052 covered by A61F5/05 A61F5/447 covered by A61F5/445 A61F5/452 covered by A61F5/451 A61F5/457 covered by A61F5/451 A61F5/458 covered by A61F5/451 A61F6/10 covered by A61F6/08 A61F9/01 covered by A61F9/00802 - A61F9/00825 A61F9/011 covered by A61F9/00802 - A61F9/00825</p>

CPC NOTICE OF CHANGES 1120

DATE: AUGUST 1, 2021

PROJECT RP0659

<u>Type*</u>	<u>Location</u>	<u>Old Warning</u>	<u>New/Modified Warning</u>
		<p>A61F9/01 covered by A61F9/00802 - A61F9/00825 A61F9/011 covered by A61F9/00802 - A61F9/00825 A61F13/22 covered by A61F13/206 A61F13/24 covered by A61F13/2045 A61F13/30 covered by A61F13/26 A61F13/32 covered by A61F13/26 A61F13/40 covered by A61M35/006</p> <p>In this subclass non-limiting references (in the sense of paragraph 39 of the Guide to the IPC) may still be displayed in the scheme.</p>	<p>A61F13/22 covered by A61F13/206 A61F13/24 covered by A61F13/2045 A61F13/30 covered by A61F13/26 A61F13/32 covered by A61F13/26 A61F13/40 covered by A61M35/006</p> <p>{In this subclass non-limiting references (in the sense of paragraph 39 of the Guide to the IPC) may still be displayed in the scheme. }</p>

SUBCLASS A61N - ELECTROTHERAPY; MAGNETOTHERAPY; RADIATION THERAPY; ULTRASOUND THERAPY (measurement of bioelectric currents A61B; surgical instruments, devices or methods for transferring non-mechanical forms of energy to or from the body A61B18/00; anaesthetic apparatus in general A61M; incandescent lamps H01K; infra-red radiators for heating H05B)

<u>Type*</u>	<u>Location</u>	<u>Old Warning</u>	<u>New/Modified Warning</u>
M	A61N	<p>The following IPC groups are not in the CPC scheme. The subject matter for these IPC groups is classified in the following CPC groups: A61N1/34 covered by A61N1/36021, A61N1/36071 A61N2/04 covered by A61N2/02 A61N 2/08 covered by A61N 2/06 A61N 2/10 covered by A61N 2/06 A61N5/067 covered by A61N5/06, A61N 2005/067 A61N 5/073 covered by A61N 5/06, A61N 2005/073 A61N5/08 covered by A61N5/06</p> <p>In this subclass non-limiting references (in the sense of paragraph 39 of the Guide to the IPC) may still be displayed in the scheme.</p>	<p>The following IPC groups are not in the CPC scheme. The subject matter for these IPC groups is classified in the following CPC groups: A61N1/34 covered by A61N1/36021, A61N1/36071 A61N2/04 covered by A61N2/02 A61N 2/08 covered by A61N 2/06 A61N 2/10 covered by A61N 2/06 A61N 5/073 covered by A61N 5/06, A61N 2005/073 A61N5/08 covered by A61N5/06</p> <p>{In this subclass non-limiting references (in the sense of paragraph 39 of the Guide to the IPC) may still be displayed in the scheme. }</p>

SUBCLASS B01D - SEPARATION (separating solids from solids by wet methods B03B, B03D; by pneumatic jigs or tables B03B; by other dry methods B07; magnetic or electrostatic separation of solid materials from solid materials or fluids, separation by high-voltage electric fields B03C; centrifuges, vortex apparatus B04; presses per se for squeezing-out liquid from liquid-containing material B30B9/02; treatment of water C02F, e.g. softening by ion-exchange C02F1/42; {arrangements of air intake cleaners in gas turbine plants F02C7/05} ; arrangements or mounting of filters in air-conditioning, air-humidification or ventilation F24F13/28)

CPC NOTICE OF CHANGES 1120

DATE: AUGUST 1, 2021

PROJECT RP0659

<u>Type*</u>	<u>Location</u>	<u>Old Warning</u>	<u>New/Modified Warning</u>
M	B01D	<p>The following IPC groups are not in the CPC scheme. The subject matter for these IPC groups is classified in the following CPC groups:</p> <p>B01D15/04 covered by B01J39/00 - B01J49/90 B01D17/022 covered by B01D17/0202 B01D17/025 covered by B01D17/0208 B01D17/028 covered by B01D17/0211 B01D17/032 covered by B01D17/0214 B01D17/035 covered by B01D17/0205 B01D17/038 covered by B01D17/0217 B01D17/05 covered by B01D17/047 B01D17/09 covered by B01D17/005 B01D25/133 covered by B01D25/285 B01D25/168 covered by B01D25/285 B01D29/075 covered by B01D29/01, B01D29/64 B01D29/37 covered by B01D29/336, B01D29/356 B01D33/052 covered by B01D33/042, B01D33/048 B01D35/01 covered by B01D36/001 B01D61/26 covered by A61M1/1656 B01D61/34 covered by A61M1/16</p> <p>In this subclass non-limiting references (in the sense of paragraph 39 of the Guide to the IPC) may still be displayed in the scheme.</p>	<p>The following IPC groups are not in the CPC scheme. The subject matter for these IPC groups is classified in the following CPC groups:</p> <p>B01D15/04 covered by B01J39/00 - B01J49/90 B01D17/022 covered by B01D17/0202 B01D17/025 covered by B01D17/0211 B01D17/028 covered by B01D17/0208 B01D17/032 covered by B01D17/0214 B01D17/035 covered by B01D17/0205 B01D17/038 covered by B01D17/0217 B01D17/05 covered by B01D17/047 B01D17/09 covered by B01D17/005 B01D25/133 covered by B01D25/285 B01D25/168 covered by B01D25/285 B01D29/37 covered by B01D29/336, B01D29/356 B01D35/01 covered by B01D36/001 B01D61/26 covered by A61M1/1656 B01D61/34 covered by A61M1/16</p> <p>{In this subclass non-limiting references (in the sense of paragraph 39 of the Guide to the IPC) may still be displayed in the scheme.}</p>

SUBCLASS D03C - SHEDDING MECHANISMS; PATTERN CARDS OR CHAINS; PUNCHING OF CARDS; DESIGNING PATTERNS

<u>Type*</u>	<u>Location</u>	<u>Old Warning</u>	<u>New/Modified Warning</u>
M	D03C	<p>The following IPC groups are not in the CPC scheme. The subject matter for these IPC groups is classified in the following CPC groups:</p> <p>D03C9/04 covered by D03C9/028</p> <p>In this subclass non-limiting references (in the sense of paragraph 39 of the Guide to the IPC) may still be displayed in the scheme.</p>	<p>{In this subclass non-limiting references (in the sense of paragraph 39 of the Guide to the IPC) may still be displayed in the scheme.}</p>

CPC NOTICE OF CHANGES 1120

DATE: AUGUST 1, 2021

PROJECT RP0659

SUBCLASS F16B - DEVICES FOR FASTENING OR SECURING CONSTRUCTIONAL ELEMENTS OR MACHINE PARTS TOGETHER, e.g. NAILS, BOLTS, CIRCLIPS, CLAMPS, CLIPS, WEDGES, JOINTS OR JOINTING (couplings for transmitting rotation F16D)

<u>Type*</u>	<u>Location</u>	<u>Old Warning</u>	<u>New/Modified Warning</u>
M	F16B	<p>The following IPC groups are not in the CPC scheme. The subject matter for these IPC groups is classified in the following CPC groups:</p> <p>F16B7/08 covered by F16B5/12, F16B7/04, F16L3/00</p> <p>F16B7/12 covered by F16B7/105</p> <p>F16B7/16 covered by F16B7/14, F16B2007/16</p> <p>F16B13/10 covered by F16B13/08, F16B2013/10</p> <p>F16B13/13 covered by F16B13/002, F16B13/12</p> <p>F16B21/14 covered by F16B21/12, F16B2021/14</p> <p>F16B25/02 covered by F16B25/103</p> <p>F16B25/04 covered by F16B25/00, F16B25/106</p> <p>F16B25/06 covered by F16B25/00, F16B25/106</p> <p>F16B25/08 covered by F16B25/00, F16B25/106</p> <p>F16B33/04 covered by F16B33/02, F16B2033/04</p> <p>F16B37/10 covered by F16B37/0842, F16B37/0871</p> <p>In this subclass non-limiting references (in the sense of paragraph 39 of the Guide to the IPC) may still be displayed in the scheme.</p>	<p>The following IPC groups are not in the CPC scheme. The subject matter for these IPC groups is classified in the following CPC groups:</p> <p>F16B7/08 covered by F16B5/12, F16B7/04, F16L3/00</p> <p>F16B7/12 covered by F16B7/105</p> <p>F16B13/13 covered by F16B13/002, F16B13/12</p> <p>F16B25/02 covered by F16B25/103</p> <p>F16B25/04 covered by F16B25/00, F16B25/106</p> <p>F16B25/06 covered by F16B25/00, F16B25/106</p> <p>F16B25/08 covered by F16B25/00, F16B25/106</p> <p>F16B37/10 covered by F16B37/0842, F16B37/0871</p> <p>{ In this subclass non-limiting references (in the sense of paragraph 39 of the Guide to the IPC) may still be displayed in the scheme. }</p>

SUBCLASS G01C - MEASURING DISTANCES, LEVELS OR BEARINGS; SURVEYING; NAVIGATION; GYROSCOPIC INSTRUMENTS; PHOTOGRAMMETRY OR VIDEOGRAMMETRY (measuring dimensions or angles of objects G01B; measuring liquid level G01F; measuring intensity or direction of magnetic fields, other than the earth's field, in general G01R; radio navigation, determining distance or velocity by use of propagation effects, e.g. Doppler effects, propagation time, of radio waves, analogous arrangements using other waves G01S; optical systems therefor G02B; maps, globes G09B)

<u>Type*</u>	<u>Location</u>	<u>Old Warning</u>	<u>New/Modified Warning</u>
M	G01C	<p>The following IPC groups are not in the CPC scheme. The subject matter for these IPC groups is classified in the following CPC groups:</p> <p>G01C11/36 covered by G01C11/00-G01C11/34</p>	<p>{ In this subclass non-limiting references (in the sense of paragraph 39 of the Guide to the IPC) may still be displayed in the scheme. }</p>

CPC NOTICE OF CHANGES 1120

DATE: AUGUST 1, 2021

PROJECT RP0659

<u>Type*</u>	<u>Location</u>	<u>Old Warning</u>	<u>New/Modified Warning</u>
		In this subclass non-limiting references (in the sense of paragraph 39 of the Guide to the IPC) may still be displayed in the scheme.	

SUBCLASS G03C - PHOTSENSITIVE MATERIALS FOR PHOTOGRAPHIC PURPOSES (for photomechanical purposes G03F); PHOTOGRAPHIC PROCESSES, e.g. CINE, X-RAY, COLOUR, STEREO-PHOTOGRAPHIC PROCESSES; AUXILIARY PROCESSES IN PHOTOGRAPHY (photographic processes characterised by the use or manipulation of apparatus classifiable per se in subclass G03B, see G03B; photomechanical production of textured or patterned surfaces G03F; electrophotography, magnetography G03G)

<u>Type*</u>	<u>Location</u>	<u>Old Warning</u>	<u>New/Modified Warning</u>
M	G03C	<p>The following IPC groups are not in the CPC scheme. The subject matter for these IPC groups is classified in the following CPC groups:</p> <p>Subject matter covered by this group is classified in the following CPC group: G03C9/08 covered by G03C9/00, G03C2009/08</p> <p>In this subclass non-limiting references (in the sense of paragraph 39 of the Guide to the IPC) may still be displayed in the scheme.</p>	{ In this subclass non-limiting references (in the sense of paragraph 39 of the Guide to the IPC) may still be displayed in the scheme. }

SUBCLASS H01L - SEMICONDUCTOR DEVICES; ELECTRIC SOLID STATE DEVICES NOT OTHERWISE PROVIDED FOR (use of semiconductor devices for measuring G01; resistors in general H01C; magnets, inductors, transformers H01F; capacitors in general H01G; electrolytic devices H01G9/00; batteries, accumulators H01M; waveguides, resonators, or lines of the waveguide type H01P; line connectors, current collectors H01R; stimulated-emission devices H01S; electromechanical resonators H03H; loudspeakers, microphones, gramophone pick-ups or like acoustic electromechanical transducers H04R; electric light sources in general H05B; printed circuits, hybrid circuits, casings or constructional details of electrical apparatus, manufacture of assemblages of electrical components H05K; use of semiconductor devices in circuits having a particular application, see the subclass for the application)

<u>Type*</u>	<u>Location</u>	<u>Old Warning</u>	<u>New/Modified Warning</u>
M	H01L	<p>The following IPC groups are not in the CPC scheme. The subject matter for these IPC groups is classified in the following CPC groups: H01L21/301 covered by H01L21/30 H01L21/328 covered by H01L29/66075 H01L21/329 covered by H01L29/66083 H01L21/33 covered by H01L29/66227 H01L21/331 covered by H01L29/66234 H01L21/332 covered by H01L29/66363 H01L21/334 covered by H01L29/66075 H01L21/335 covered by H01L29/66409</p>	<p>The following IPC groups are not in the CPC scheme. The subject matter for these IPC groups is classified in the following CPC groups: H01L21/301 covered by H01L21/30 H01L21/328 covered by H01L29/66075 H01L21/329 covered by H01L29/66083</p>

CPC NOTICE OF CHANGES 1120

DATE: AUGUST 1, 2021

PROJECT RP0659

<u>Type*</u>	<u>Location</u>	<u>Old Warning</u>	<u>New/Modified Warning</u>
		<p>H01L21/336 covered by H01L29/66477 H01L21/337 covered by H01L29/66893 H01L21/338 covered by H01L29/66848 H01L21/339 covered by H01L29/66946 H01L21/36-H01L21/368 covered by H01L21/02107 H01L21/58 covered by H01L24/80 H01L21/60 covered by H01L21/50, H01L2021/60 H01L21/66 covered by H01L22/00 H01L21/603 covered by H01L21/50, H01L2021/603 H01L21/607 covered by H01L21/50, H01L2021/607 H01L21/8242 covered by H01L27/108 H01L21/8244 covered by H01L27/11 H01L21/8246 covered by H01L27/112 H01L21/98 covered by H01L25/50 H01L29/38 covered by H01L29/04-H01L29/365 H01L29/96 covered by H01L29/68-H01L29/945 H01L51/30 covered by H01L51/0032 H01L51/40 covered by H01L51/0001 H01L51/46 covered by H01L51/0032 H01L51/48 covered by H01L51/0001 H01L51/54 covered by H01L51/0032</p> <p>In this subclass non-limiting references (in the sense of paragraph 39 of the Guide to the IPC) may still be displayed in the scheme.</p>	<p>H01L21/33 covered by H01L29/66227 H01L21/331 covered by H01L29/66234 H01L21/332 covered by H01L29/66363 H01L21/334 covered by H01L29/66075 H01L21/335 covered by H01L29/66409 H01L21/336 covered by H01L29/66477 H01L21/337 covered by H01L29/66893 H01L21/338 covered by H01L29/66848 H01L21/339 covered by H01L29/66946 H01L21/36-H01L21/368 covered by H01L21/02107 H01L21/58 covered by H01L24/80 H01L21/66 covered by H01L22/00 H01L21/8242 covered by H01L27/108 H01L21/8244 covered by H01L27/11 H01L21/8246 covered by H01L27/112 H01L21/98 covered by H01L25/50 H01L29/38 covered by H01L29/04-H01L29/365 H01L29/96 covered by H01L29/68-H01L29/945 H01L51/30 covered by H01L51/0032 H01L51/40 covered by H01L51/0001 H01L51/46 covered by H01L51/0032 H01L51/48 covered by H01L51/0001 H01L51/54 covered by H01L51/0032</p> <p>{In this subclass non-limiting references (in the sense of paragraph 39 of the Guide to the IPC) may still be displayed in the scheme.}</p>

*N = new warning, M = modified warning, D = deleted warning

CPC NOTICE OF CHANGES 1120

DATE: AUGUST 1, 2021

PROJECT RP0659

NOTE: The "Location" column only requires the symbol PRIOR to the location of the warning. No further directions such as "before" or "after" are required.

CPC NOTICE OF CHANGES 1120

DATE: AUGUST 1, 2021

PROJECT RP0659

C. New, Modified or Deleted Note(s)

SUBCLASS B01D - SEPARATION (separating solids from solids by wet methods B03B, B03D; by pneumatic jigs or tables B03B; by other dry methods B07; magnetic or electrostatic separation of solid materials from solid materials or fluids, separation by high-voltage electric fields B03C; centrifuges, vortex apparatus B04; presses per se for squeezing-out liquid from liquid-containing material B30B9/02; treatment of water C02F, e.g. softening by ion-exchange C02F1/42; {arrangements of air intake cleaners in gas turbine plants F02C7/05} ; arrangements or mounting of filters in air-conditioning, air-humidification or ventilation F24F13/28)

<u>Type*</u>	<u>Location</u>	<u>Old Note</u>	<u>New/Modified Note</u>
N	B01D 29/075		If the subject matter classified in this group also contains relevant information covered by other subgroups of group B01D 29/00, it is also classified in the other appropriate subgroups of group B01D 29/00.

*N = new note, M = modified note, D = deleted note

NOTE: The "Location" column only requires the symbol PRIOR to the location of the note. No further directions such as "before" or "after" are required.

DATE: AUGUST 1, 2021

PROJECT RP0659

2. A. DEFINITIONS (modified)

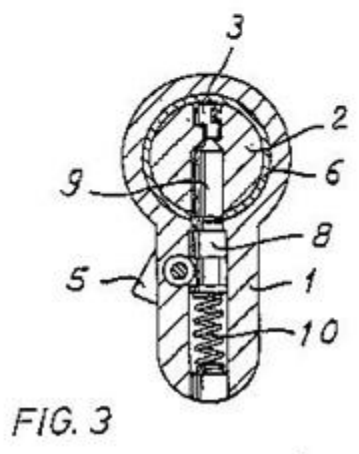
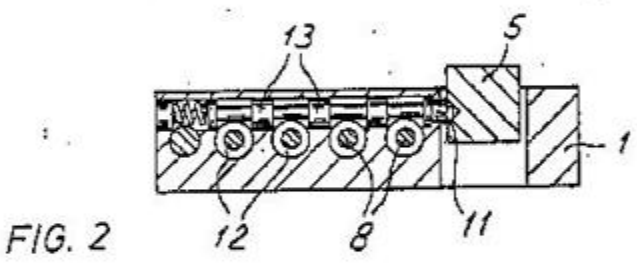
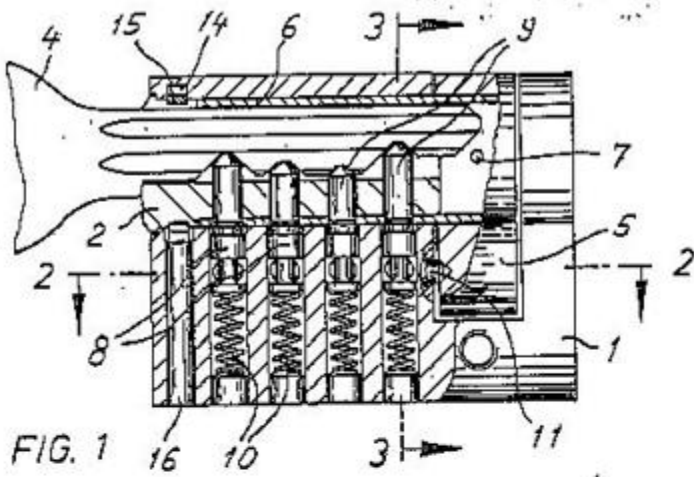
E05B 27/00

Definition statement

Replace: The existing images and replace with the following.

DATE: AUGUST 1, 2021

PROJECT RP0659



DATE: AUGUST 1, 2021

PROJECT RP0659

References

Delete: The entire Limiting references section.

Informative references

Attention is drawn to the following places, which may be of interest for search:

Insert: The following new reference in the Informative references table.

Lock cylinder arrangements vehicles	E05B 85/06
-------------------------------------	----------------------------

CPC NOTICE OF CHANGES 1120

DATE: AUGUST 1, 2021

PROJECT RP0659

2. B. DEFINITIONS QUICK FIX

<u>Symbol</u>	<u>Location of change</u> (e.g., section title)	<u>Existing reference symbol or text</u>	<u>Action; New symbol; New text</u>
A61F 2002/482	Entire definition	Entire definition	Delete entire definition
D03C 9/028	Entire definition	Entire definition	Delete entire definition

NOTES:

- The table above is used for corrections or modifications to existing definitions, e.g. delete an entire definition or part thereof; propose new wording or modify wording of a section, change the symbol the definition is associated with, change or delete a reference symbol, etc.
- Do not delete (F) symbol definitions.

CPC NOTICE OF CHANGES 1120

DATE: AUGUST 1, 2021

PROJECT RP0659

3. REVISION CONCORDANCE LIST (RCL)

Type*	From CPC Symbol (existing)	To CPC Symbol(s)
D	A61B 2017/90	<administrative transfer to A61B 17/90 INV>
D	A61F 2002/48	<administrative transfer to A61F 2/48 INV>
D	A61F 2002/481	<administrative transfer to A61F 2/481 INV>
D	A61F 2002/482	<administrative transfer to A61F 2/482 INV>
D	A61F 2002/484	<administrative transfer to A61F 2/484 INV>
D	A61F 2002/485	<administrative transfer to A61F 2/484 INV>
D	A61F 2002/487	<administrative transfer to A61F 2/484 INV>
D	A61F 2002/488	<administrative transfer to A61F 2/488 INV>
D	A61F 2002/74	<administrative transfer to A61F 2/74 INV>
D	A61F 2002/741	<administrative transfer to A61F 2/741 INV>
D	A61F 2002/742	<administrative transfer to A61F 2/742 INV>
D	A61F 2002/744	<administrative transfer to A61F 2/744 INV>
D	A61F 2002/745	<administrative transfer to A61F 2/74 INV>
D	A61F 2002/747	<administrative transfer to A61F 2/74 INV>
D	A61F 2002/748	<administrative transfer to A61F 2/748 INV>
D	A61N 2005/067	<administrative transfer to A61N 5/067 INV>
D	B01D 2029/075	<administrative transfer to B01D 29/075 INV>
D	B01D 2033/052	<administrative transfer to B01D 33/052 INV>
D	D03C 9/028	<administrative transfer to D03C 9/04 INV>
D	D03C 2009/04	<administrative transfer to D03C 9/04 INV>
D	E05B 2027/10	<administrative transfer to E05B 27/10 INV>
D	F16B 2007/16	<administrative transfer to F16B 7/16 INV>
D	F16B 2013/10	<administrative transfer to F16B 13/10 INV>
D	F16B 2013/105	<administrative transfer to F16B 13/10 INV>
D	F16B 2021/14	<administrative transfer to F16B 21/14 INV>
D	F16B 2033/04	<administrative transfer to F16B 33/04 INV>
D	G01C 2011/36	<administrative transfer to G01C 11/36 INV>
D	G03C 2009/08	<administrative transfer to G03C 9/08 INV>
D	H01L 2021/60	<administrative transfer to H01L 21/60 INV>
D	H01L 2021/603	<administrative transfer to H01L 21/603 INV>
D	H01L 2021/607	<administrative transfer to H01L 21/607 INV>

* C = entries with modified file scope where reclassification of documents from the entries is involved; Q = new entries which are firstly populated with documents via administrative transfers from deleted (D) entries. Afterwards, the transferred documents into the Q entry will either stay or be moved to more appropriate entries, as determined by intellectual reclassification; D = deleted entries; F = frozen entries will be deleted once reclassification of documents from the entries is completed.

NOTES:

- Only C, D, F, and Q type entries are included in the table above.
- When multiple symbols are included in the “To” column, do not use ranges of symbols.
- For administrative transfer of documents, the following text should be used: “< administrative transfer to XX>”, “<administrative transfer to XX and YY simultaneously>”, or “<administrative transfer to XX, YY, ...and ZZ simultaneously>” when administrative transfer of the same documents is to more than one place.
- Administrative transfer to main trunk groups is assumed to be the source allocation type, unless otherwise indicated.
- Administrative transfer to 2000/Y series groups is assumed to be “additional information”.
- If needed, instructions for allocation type should be indicated within the angle brackets using the abbreviations “ADD” or “INV”: <administrative transfer to XX ADD>, <administrative transfer to XX INV>, or < administrative transfer to XX ADD, YY INV, ... and ZZ ADD simultaneously>.
-

CPC NOTICE OF CHANGES 1120

DATE: AUGUST 1, 2021

PROJECT RP0659

- In certain situations, the “D” entries of 2000-series or Y-series groups may not require a destination (“To”) symbol, however it is required to specify “<no transfer>” in the “To” column for such cases.
- RCL is not needed for finalisation projects.

CPC NOTICE OF CHANGES 1120

DATE: AUGUST 1, 2021

PROJECT RP0659

4. CHANGES TO THE CPC-TO-IPC CONCORDANCE LIST (CICL)

<u>CPC</u>	<u>IPC</u>	<u>Action*</u>
A61B 17/90	A61B 17/90	NEW
A61B 2017/90		DELETE
A61F 2/48	A61F 2/48	NEW
A61F 2002/48		DELETE
A61F 2/481	A61F 2/48	NEW
A61F 2002/481		DELETE
A61F 2/482	A61F 2/48	NEW
A61F 2002/482		DELETE
A61F 2/484	A61F 2/48	NEW
A61F 2002/484		DELETE
A61F 2002/485		DELETE
A61F 2002/487		DELETE
A61F 2/488	A61F 2/48	NEW
A61F 2002/488		DELETE
A61F 2/74	A61F 2/74	NEW
A61F 2002/74		DELETE
A61F 2/741	A61F 2/74	NEW
A61F 2002/741		DELETE
A61F 2/742	A61F 2/74	NEW
A61F 2002/742		DELETE
A61F 2/744	A61F 2/74	NEW
A61F 2002/744		DELETE
A61F 2002/745		DELETE
A61F 2002/747		DELETE
A61F 2/748	A61F 2/74	NEW
A61F 2002/748		DELETE
A61N 5/067	A61N 5/067	NEW
A61N 2005/067		DELETE
B01D 29/075	B01D 29/075	NEW
B01D 2029/075		DELETE
B01D 33/052	B01D 33/052	NEW
B01D 2033/052		DELETE
D03C 9/028		DELETE
D03C 9/04	D03C 9/04	NEW
D03C 2009/04		DELETE
E05B 27/10	E05B 27/10	NEW
E05B 2027/10		DELETE
F16B 7/16	F16B 7/16	NEW
F16B 2007/16		DELETE
F16B 13/10	F16B 13/10	NEW
F16B 2013/10		DELETE
F16B 2013/105		DELETE

CPC NOTICE OF CHANGES 1120

DATE: AUGUST 1, 2021

PROJECT RP0659

<u>CPC</u>	<u>IPC</u>	<u>Action*</u>
F16B 21/14	F16B 21/14	NEW
F16B 2021/14		DELETE
F16B 33/04	F16B 33/04	NEW
F16B 2033/04		DELETE
G01C 11/36	G01C 11/36	NEW
G01C 2011/36		DELETE
G03C 9/08	G03C 9/08	NEW
G03C 2009/08		DELETE
H01L 21/60	H01L 21/60	NEW
H01L 2021/60		DELETE
H01L 2021/60007	H01L 21/60	UPDATE
H01L 2021/60015	H01L 21/60	UPDATE
H01L 2021/60022	H01L 21/60	UPDATE
H01L 2021/6003	H01L 21/60	UPDATE
H01L 2021/60037	H01L 21/60	UPDATE
H01L 2021/60045	H01L 21/60	UPDATE
H01L 2021/60052	H01L 21/60	UPDATE
H01L 2021/6006	H01L 21/60	UPDATE
H01L 2021/60067	H01L 21/60	UPDATE
H01L 2021/60075	H01L 21/60	UPDATE
H01L 2021/60082	H01L 21/60	UPDATE
H01L 2021/6009	H01L 21/60	UPDATE
H01L 2021/60097	H01L 21/60	UPDATE
H01L 2021/60105	H01L 21/60	UPDATE
H01L 2021/60112	H01L 21/60	UPDATE
H01L 2021/6012	H01L 21/60	UPDATE
H01L 2021/60127	H01L 21/60	UPDATE
H01L 2021/60135	H01L 21/60	UPDATE
H01L 2021/60142	H01L 21/60	UPDATE
H01L 2021/6015	H01L 21/60	UPDATE
H01L 2021/60157	H01L 21/60	UPDATE
H01L 2021/60165	H01L 21/60	UPDATE
H01L 2021/60172	H01L 21/60	UPDATE
H01L 2021/6018	H01L 21/60	UPDATE
H01L 2021/60187	H01L 21/60	UPDATE
H01L 2021/60195	H01L 21/60	UPDATE
H01L 2021/60202	H01L 21/60	UPDATE
H01L 2021/6021	H01L 21/60	UPDATE
H01L 2021/60217	H01L 21/60	UPDATE
H01L 2021/60225	H01L 21/60	UPDATE
H01L 2021/60232	H01L 21/60	UPDATE
H01L 2021/6024	H01L 21/60	UPDATE
H01L 2021/60247	H01L 21/60	UPDATE
H01L 2021/60255	H01L 21/60	UPDATE
H01L 2021/60262	H01L 21/60	UPDATE

CPC NOTICE OF CHANGES 1120

DATE: AUGUST 1, 2021

PROJECT RP0659

<u>CPC</u>	<u>IPC</u>	<u>Action*</u>
H01L 2021/6027	H01L 21/60	UPDATE
H01L 2021/60277	H01L 21/60	UPDATE
H01L 2021/60285	H01L 21/60	UPDATE
H01L 2021/60292	H01L 21/60	UPDATE
H01L 21/603	H01L 21/603	NEW
H01L 2021/603		DELETE
H01L 21/607	H01L 21/607	NEW
H01L 2021/607		DELETE

*Action column:

- For an (N) or (Q) entry, provide an IPC symbol and complete the Action column with “NEW.”
- For an existing CPC main trunk entry or indexing entry where the existing IPC symbol needs to be changed, provide an updated IPC symbol and complete the Action column with “UPDATED.”
- For a (D) CPC entry or indexing entry complete the Action column with “DELETE.” IPC symbol does not need to be included in the IPC column.
- For an (N) 2000 series CPC entry which is positioned within the main trunk scheme (breakdown code) provide an IPC symbol and complete the action column with “NEW”.
- For an (N) 2000 series CPC entry positioned at the end of the CPC scheme (orthogonal code), with no IPC equivalent, complete the IPC column with “CPCONLY” and complete the action column with “NEW”.

NOTES:

- F symbols are not included in the CICL table above.
- T and M symbols are not included in the CICL table above unless a change to the existing IPC is desired.

CPC NOTICE OF CHANGES 1120

DATE: AUGUST 1, 2021

PROJECT RP0659

5. CROSS-REFERENCE LIST (CRL)

Scheme references impacted by this revision project

<u>Location of reference to be changed</u>	<u>Referenced subclass or group to be changed</u>	<u>Action; New reference symbol; New text</u>
F16D41/00	F16B2007/16	Change to F16B 7/16

Definitions references impacted by this revision project

<u>Location of reference to be changed</u>	<u>Referenced subclass or group to be changed</u>	<u>Section of definition</u>	<u>Action; New reference symbol; New text</u>
A61B	A61F2002/482	Relationship	A61F 2/482
A61B5/389	A61F2002/482	Informative references	A61F 2/482
A61B5/4851	A61F2002/482	Relationship	A61F 2/482
A61F2/28	A61F2002/48	Special rules	A61F 2/48
A61F2/30	A61F2002/48	Special rules	Replace the text “completelyclassified” with “completely classified”
A61F2/30	A61F2002/48	Special rules	A61F 2/48
A61F2/30739	A61F2002/74	Informative references	A61F 2/74
A61N5/00	A61N2005/067	Special rules	A61N 5/067
F16D41/00	F16B2007/16	Informative references	F16B 7/16
F16M11/26	F16B2007/16	Relationship	F16B 7/16
H01S	A61N2005/067	Application-oriented references	A61N 5/067

NOTES:

- The CRL tables above are used for changes to locations **outside** of the project scope. Changes to references in scheme titles or definitions **inside** the project scope will be reflected in the “scheme change” template or one of the “definition” templates.
- In addition to other changes proposed in the tables above, in the column titled “Referenced subclass or group to be changed,” **referenced** D symbols should indicate an action of “delete” or should indicate a replacement symbol and **referenced** F symbols should indicate a replacement symbol.
- When a reference is deleted, text related to that reference will also be deleted unless other references or a range of references associated with the same text remain.