

B65B

MACHINES, APPARATUS OR DEVICES FOR, OR METHODS OF, PACKAGING ARTICLES OR MATERIALS; UNPACKING (bundling and pressing devices for cigars [A24C 1/44](#); devices for tensioning and securing binders adapted to be supported by the article or articles to be bound [B25B 25/00](#); applying closure members to bottles, jars or similar containers [B67B 1/00-B67B 6/00](#); concurrent cleaning, filling and closing of bottles [B67C 7/00](#); emptying bottles, jars, cans, casks, barrels or similar containers [B67C 9/00](#))

Definition statement

This place covers:

The following general guidance can be applied in this subclass:

Main groups [B65B 1/00-B65B 17/00](#) relate to general aspects of packaging, wrapping, bundling and closing of packages.

Main groups [B65B 19/00-B65B 29/00](#) relate to the packaging, wrapping or bundling of articles/materials with special problems.

Main group [B65B 31/00](#) relates to the packaging under special atmospheric conditions.

Main group [B65B 33/00](#) relates to packaging by applying removable/strippable coatings.

Main groups [B65B 35/00-B65B 39/00](#) relate to the feeding of material to be packaged.

Main groups [B65B 41/00-B65B 45/00](#) relate to the feeding/supporting of the wrapping material/container.

Main groups [B65B 47/00-B65B 53/00](#) and [B65B 61/00](#) relate to operations performed on the wrapping material/container.

Main group [B65B 63/00](#) relates to auxiliary operations performed on the article/material to be packaged.

Main group [B65B 55/00](#) relates to preserving/sterilising.

Main groups [B65B 57/00-B65B 59/00](#) and [B65B 65/00](#) relates to the control/adaptation/details of the packaging machine.

Main group [B65B 67/00](#) relates to manual packaging.

Main group [B65B 69/00](#) relates to unpacking.

Machines, apparatus, or methods of general application for packaging individual articles, groups of articles or quantities of material in solid, pulverulent, liquid, semi liquid or mixed solid and liquid form including mainly the following operations:

- filling portable containers or receptacles with articles or materials to form packages;
- inserting articles or groups of articles into containers or receptacles;
- closing filled containers or receptacles otherwise than by metal-working, glass-working, or wood-working operations;
- enclosing, or partially enclosing, articles or quantities of material, in sheets, strips, blanks, webs, or tubes of thin flexible material, e.g. wrapping;
- applying removable coatings, e. g. strippable coatings;
- bundling articles, e.g. holding articles together in groups by applying string or wire;
- attaching articles to cards, sheets, or webs.

Machines, apparatus, or methods adapted for packaging articles or materials presenting special problems or for special packaging operations e. g. packaging of specially shaped articles, of fragile, sensitive, tacky objects or of all sorts of foodstuffs.

Machines, apparatus, or methods adapted for packaging of articles or materials in packages that can have an additional function e. g. packaging of tea in tea-bags or of food intended to be cooked in the package.

Machines, apparatus, or methods adapted for packaging of articles or materials under special atmospheric or gaseous conditions.

Filling aerosol containers with propellants.

Packaging articles by applying removable e.g. strippable coatings.

Details of, auxiliary devices applied to, or auxiliary measures taken in, machines, apparatus, or methods

- relating to the articles or materials to be packed:

- supplying, feeding, arranging, or orientating articles to be packed;
- supplying or feeding fluent-solid, plastic, or liquid material, or loose masses of small articles to be packaged;
- nozzles, funnels, or guides for introducing articles or materials into containers or wrappers;
- miscellaneous auxiliary devices operating on articles or materials to be packaged and not otherwise provided for;

- relating to the containers, packages or receptacles in association with packaging:

- forming, feeding, opening, or setting-up containers or receptacles;
- supplying or feeding container-forming sheets or wrapping material;
- apparatus or devices for supporting or holding wrappers during wrapping operation;
- apparatus or devices for forming pockets or receptacles in or from sheets, blanks, or webs;
- devices for folding or bending wrappers around contents;
- devices for, or methods of, sealing or securing package folds or closures, e.g. twisted bag necks;
- shrinking wrappers, containers, container covers or container cover securing members during or after packaging;
- miscellaneous auxiliary devices for operating on sheets, blanks, webs, binding material, containers or packages, and not otherwise provided for;

- relating to the machines, apparatus, or methods themselves:

- automatic control, checking, warning, or safety devices of packaging machines;
- arrangements to give access for cleaning or maintenance purposes;
- arrangements to enable machines to handle articles of different sizes, to produce packages of different sizes, to vary the contents of packages;
- details peculiar to packaging machines and not otherwise provided for, e. g. special gearing, anti-sticking material, devices for counting and registering;
- preserving, protecting, or purifying packages or package contents in association with packaging.

Apparatus or devices facilitating manual packaging operations.

Sack holders.

Unpacking of articles or materials.

Relationships with other classification places

Operations like filling, inserting, enclosing or bundling of articles or attaching articles to webs or cards that are employed in the manufacture of the articles and not part of a packaging process, are covered

by the appropriate subclasses, e.g. making confectionery products by casting in moulds formed by wrappers [A23G](#), filling ammunition, e.g. cartridges, [F42B 33/02](#).

Similarly, operations like filling, inserting, enclosing of material into bags, webs and similar material that are employed in the manufacture of a wrapping material as such, are not considered to be packaging in the meaning of [B65B](#) and covered by the appropriate subclasses, e.g. making dunnage or cushion pads [B31D 5/0039](#).

Packaging operations for a particular purpose, for which a special classification place exists and which is listed in the application oriented references, are only classified in [B65B](#) if the packaging operation is also of general interest and applicable to operations for other purposes.

Relationship with subclass [B65D](#):

[B65B](#) does not cover methods of packaging, which are wholly characterised by the form of the package produced, or the form of the container or packaging-element used, which are covered by [B65D](#).

Relationship with subclass [B65G](#):

[B65G](#) covers storage or transport devices (e.g. conveyers) in general whereby [B65B](#) covers those devices if they are restricted to packaging.

Relationship with subclass [B67C](#):

The group [B67C 3/00](#) covers primarily the filling or bottling of bottles, cans, jars, barrels or casks with beverages or other (similar) liquids or semi-liquids, on a relatively large production scale, for example as is done in the beverage, soft drink or wine industry or in breweries. The filling of containers with liquids or semi-liquids using apparatus other than bottling or like apparatus is covered by the group [B65B 3/00](#).

References

Limiting references

This place does not cover:

Bundling and pressing devices for cigars	A24C 1/44
Devices for tensioning and securing binders adapted to be supported by the article or articles to be bound	B25B 25/00
Applying closure members to bottles jars, or similar containers;	B67B 1/00 , B67B 3/00 , B67B 5/00 , B67B 6/00
Concurrent cleaning, filling and closing of bottles	B67C 7/00
Emptying bottles, jars, cans, casks, barrels or similar containers	B67C 9/00

Application-oriented references

Examples of places where the subject matter of this place is covered when specially adapted, used for a particular purpose, or incorporated in a larger system:

Machines for forming slabs of butter with packaging devices	A01J 21/02
Sausage filling or stuffing machines	A22C 11/02
Shopping bag or carton-dispensing systems specifically adapted for check-out counters	A47F 9/042
Shopping bag or paper bag holders for shops	A47F 13/08
Filling and assembling of medical capsules	A61J 3/07
Filling of syringes in situ	A61M 5/1782

Inserting documents in envelopes and closing the latter	B43M 3/00 , B43M 5/00
Filling fuel into fuel tanks	B67D 7/00
Packaging of matches	C06F 1/12
Cutting machines specially adapted for sugar in combination with sorting and packaging machines	C13B 45/02
Filling of grease guns	F16N 37/02
Packaging of ammunition or explosive charges	F42B 39/00
Devices for wrapping coins	G07D 9/065

References out of a residual place

Examples of places in relation to which this place is residual:

Hand or power-operated devices not attached to, or not incorporated in, containers or container closures for opening closed containers	B67B 7/00
--	---------------------------

Informative references

Attention is drawn to the following places, which may be of interest for search:

Preservation of foodstuffs in general	A23B , A23L
Manufacture and preparation of tobacco	A24B
Apparatus for applying liquids or other fluent materials to surfaces in general	B05C
Cleaning machinery and conduits	B08B
Hand-held nailing or stapling tools; manually operated portable stapling tools	B25C
Cutting or severing in general	B26D , B26F
Nailing or stapling devices	B27F
Sealing thermoplastics in general by joining	B29C 65/00
Presses in general	B30B
Making bags and boxes in general	B31B
Printing in general	B41F , B41J
Labelling	B65C
Containers for storage or transport of articles or materials e.g. bags, barrels, bottles, boxes, cans, cartons, etc. and other packaging elements, e.g. binders, closures, protective caps	B65D
Transport or storage devices in general, e.g. conveyers for loading or tipping; Stacking and de-stacking of articles in general	B65G
Handling sheets or webs of interest apart from their application in packaging machines	B65H
Filling bottles or other containers with liquids or semi-liquids by bottling machines	B67C 3/00
Funnels, e.g. for bottling liquids	B67C 11/00
Volumetric measurement in general	G01F
Weighing in general	G01G

Special rules of classification

In subclass [B65B](#) all embodiments of a document and all aspects of that embodiment are to be classified, irrespective of it being subject-matter of a claim or not.

Classification is done in the lowest subgroup that applies. If several subgroups apply equally, for example for various embodiments of a document, the document is classified in all of those subgroups, but not collectively in the higher ranking group, unless the higher group is the only group that applies for a particular embodiment.

Characteristics merely mentioned in the description as possible embodiments but not allowing complete understanding of its implementation are classified as additional information. For example, in the following disclosure:

"The seal head which has been described in detail in this application is also applicable to vertical form fill seal machines as known from the prior art."

-the seal head should be classified as invention information and the vertical form fill seal machine as additional information.

Similarly, features identifiable from the drawings but not described in the description should be classified as additional information.

Glossary of terms

In this place, the following terms or expressions are used with the meaning indicated:

Packaging	Should be understood as including mainly the following operations: - Filling portable containers or receptacles with materials or small articles to form packages; - inserting articles, or groups of articles, into containers or receptacles; - closing filled containers or receptacles otherwise than by metal-, glass-, or wood-working operations; - enclosing, or partially enclosing, articles or quantities of material, in sheets, strips, blanks, webs, or tubes of thin flexible material, e.g. wrapping; - bundling articles, e.g. holding articles together in groups by applying string or wire;- attaching articles to cards, sheets, or webs.
Package	Is used to mean the end product of a packaging operation, e.g. a filled and closed container, an article enclosed in a wrapper, a group of articles held together by string or wire, a crate of bottles.
Materials	Is to be understood as embracing matter, or masses of articles, which are to be packaged, as distinct from separate or individual articles.
Container/Receptacle	An individual structure comprising a barrier for confining its content, e.g. bags, sacks, boxes, cartons, cans, jars.
Wrapper	A wrapper can refer both to the wrapping material as such, e.g. in form of a strip or a sheet of flexible material, as well as to the finished flexible structure for containing the product. When a wrapper is used as an alternative to a container in the titles of B65B , it is to be understood as a more flexible structure than the container.
Wrapping material	Blanks, sheets, and webs (see definition below).
Blanks	Sheets pre-cut and creased for being folded into an individual container.
Strips/Sheets	Individual pre-cut sections of flexible material used for forming a single container or for producing a single package.

Webs	Continuous sections of flexible material used for partially or wholly enclosing the contents before separating the so formed package from the web supply.
------	---

B65B 1/00

Packaging fluent solid material, e.g. powders, granular or loose fibrous material, loose masses of small articles, in individual containers or receptacles, e.g. bags, sacks, boxes, cartons, cans, or jars

References

Application-oriented references

Examples of places where the subject matter of this place is covered when specially adapted, used for a particular purpose, or incorporated in a larger system:

Packaging materials presenting special problems	B65B 29/00
---	----------------------------

Informative references

Attention is drawn to the following places, which may be of interest for search:

Packaging liquids in individual containers	B65B 3/00
Packaging articles in individual containers	B65B 5/00
Packaging materials presenting special problems	B65B 29/00
Packaging under special atmospheric or gaseous conditions	B65B 31/00
Filling bags at stream, river, coast or marine sites, e.g. sandbags	E02B 3/127

B65B 1/02

Machines characterised by the incorporation of means for making the containers or receptacles (from flat, folded, or tubular webs of flexible sheet material [B65B 9/00](#); making containers or receptacles of interest apart from this application, see the appropriate subclasses)

Definition statement

This place covers:

Forming or setting-up containers just before filling, the material being subsequently filled into these preformed containers.

Machines incorporating means for making the containers or receptacles from flat, folded, or tubular webs of flexible sheet material, but which containers or receptacles are separated from the web before being filled

References

Limiting references

This place does not cover:

Packaging successive quantities of material in flat, folded, or tubular webs of flexible sheet material	B65B 9/00
---	---------------------------

Informative references

Attention is drawn to the following places, which may be of interest for search:

Making boxes or bags independently from packaging operations see the relevant groups of	B31B and its Indexing Codes
---	---

B65B 1/22

by vibration

References**Informative references**

Attention is drawn to the following places, which may be of interest for search:

Supplying or feeding material by vibratory feeders	B65B 37/04
--	----------------------------

B65B 1/28

Controlling escape of air or dust from containers or receptacles during filling

References**Informative references**

Attention is drawn to the following places, which may be of interest for search:

Cleaning of, or removing dust from, containers, wrappers or packaging	B65B 55/24
---	----------------------------

B65B 1/32

by weighing (check-weighing of filled containers or receptacles [B65B 1/46](#))

References**Limiting references**

This place does not cover:

Check-weighing of filled containers or receptacles	B65B 1/46
--	---------------------------

Informative references

Attention is drawn to the following places, which may be of interest for search:

Separating measured quantities from supply by weighing	B65B 37/18
Weighing of cut products	B26D 7/30
Weighing in general	G01G
Loss-in-weight type feed control in general, i.e. differential dosing	G01G 11/086
Combinatorial weighing in general	G01G 19/387

B65B 1/36

**by volumetric devices or methods (checking volume of filled material
[B65B 1/48](#))**

References***Limiting references***

This place does not cover:

Checking volume of filled material	B65B 1/48
------------------------------------	---------------------------

Informative references

Attention is drawn to the following places, which may be of interest for search:

Separating measured quantities from supply by volume measurement	B65B 37/20
Volumetric measurement in general	G01F

B65B 1/38

by pistons co-operating with measuring chambers

References***Informative references***

Attention is drawn to the following places, which may be of interest for search:

Details of pistons	F04B 53/00
--------------------	----------------------------

B65B 1/46

Check-weighing of filled containers or receptacles

References***Informative references***

Attention is drawn to the following places, which may be of interest for search:

Check weighing in general	G01G 15/00
---------------------------	----------------------------

B65B 3/00

Packaging plastic material, semiliquids, liquids or mixed solids and liquids, in individual containers or receptacles, e.g. bags, sacks, boxes, cartons, cans, or jars

References**Application-oriented references**

Examples of places where the subject matter of this place is covered when specially adapted, used for a particular purpose, or incorporated in a larger system:

Dispensing a measured quantity of ingredients into a cup or other receptacle as part of a beverage making apparatus	A47J 31/40
Filling fuel into fuel tanks	B67D 7/00
Filling lubricants into machine tanks	F01M 11/04
Filling liquids with coin-freed apparatus, i.e. vending	G07F 13/00

Informative references

Attention is drawn to the following places, which may be of interest for search:

Packaging powders in individual containers	B65B 1/00
Packaging articles in individual containers	B65B 5/00
Packaging under special atmospheric or gaseous conditions; Adding propellants to aerosol containers	B65B 31/00
Filling bottles or other containers with liquids or semi-liquids by bottling machines	B67C 3/00

B65B 3/003

{Filling medical containers such as ampoules, vials, syringes or the like}

Definition statement

This place covers:

Filling of medical containers with semi-liquids, liquids, mixed solids and liquids and fluidised powder.

References**Application-oriented references**

Examples of places where the subject matter of this place is covered when specially adapted, used for a particular purpose, or incorporated in a larger system:

Filling and assembling of medical capsules	A61J 3/07
Filling of syringes in situ	A61M 5/1782

Informative references

Attention is drawn to the following places, which may be of interest for search:

Sealing filled ampoules	B65B 7/161
-------------------------	----------------------------

Applying plugs/stoppers to filled syringes	B65B 7/2821
Fraction collection sampling	G01N 1/18
Automatic devices for transferring samples to, in or from the analysis apparatus	G01N 35/10
Computer assisted distribution of medication	G06F 19/3462
Mixing different liquid (medication) in a vending machine	G07F 13/06

B65B 3/02

Machines characterised by the incorporation of means for making the containers or receptacles (making containers or receptacles of interest apart from this application, see appropriate subclasses)

Definition statement

This place covers:

Forming or setting-up containers just before filling, the material being subsequently filled into these preformed containers.

Machines incorporating means for making the containers or receptacles from flat, folded, or tubular webs of flexible sheet material, but which containers or receptacles are separated from the web before being filled.

References

Informative references

Attention is drawn to the following places, which may be of interest for search:

Packaging successive quantities of material in flat, folded, or tubular webs of flexible sheet material	B65B 9/00
Making boxes or bags independently from packaging operations see the relevant groups of	B31B and its Indexing Codes

B65B 3/022

{Making containers by moulding of a thermoplastic material}

References

Informative references

Attention is drawn to the following places, which may be of interest for search:

For blow moulding preforms by hot liquids that remain in the finished container see also the indexing scheme of	B29C 49/46
Moulds for blow-moulding	B29C 49/48

B65B 3/025**{Making parallelepipedal containers from a single carton blank}****References****Informative references***Attention is drawn to the following places, which may be of interest for search:*

Forming three-dimensional containers from sheet material by folding	B65B 43/10
Making boxes independently from packaging operations see the relevant groups of	B31B , B31B 2100/00

B65B 3/027**{Making containers from separate body and end-parts}****References****Informative references***Attention is drawn to the following places, which may be of interest for search:*

Making containers independently from packaging operations see the relevant groups of	B31B , B31B 2105/00
--	---

B65B 3/04**Methods of, or means for, filling the material into the containers or receptacles****Definition statement***This place covers:*

Methods of, or means for filling the material into individual containers or receptacles and interconnected bags.

B65B 3/22**Defoaming liquids in connection with filling****References****Informative references***Attention is drawn to the following places, which may be of interest for search:*

Foam dispersion or prevention	B01D 19/02
Preventing foaming in bottles	B67C

B65B 3/24**Topping-up containers or receptacles to ensure complete filling****References****Informative references**

Attention is drawn to the following places, which may be of interest for search:

Head space air removing device	B67C 3/222
--------------------------------	----------------------------

B65B 3/28**by weighing****References****Informative references**

Attention is drawn to the following places, which may be of interest for search:

Separating measured quantities from supply by weighing	B65B 37/18
Weighing in general	G01G

B65B 3/30**by volumetric measurement****References****Informative references**

Attention is drawn to the following places, which may be of interest for search:

Separating measured quantities from supply by volume measurement	B65B 37/20
Volumetric measurement in general	G01F

B65B 3/32**by pistons co-operating with measuring chambers****References****Informative references**

Attention is drawn to the following places, which may be of interest for search:

Details of pistons	F04B 53/00
--------------------	----------------------------

B65B 5/00

Packaging individual articles in containers or receptacles, e.g. bags, sacks, boxes, cartons, cans, jars

References

Application-oriented references

Examples of places where the subject matter of this place is covered when specially adapted, used for a particular purpose, or incorporated in a larger system:

Packaging bottles	B65B 21/00
Packaging articles presenting special problems	B65B 25/00

Informative references

Attention is drawn to the following places, which may be of interest for search:

Packaging powders in individual containers	B65B 1/00
Packaging liquids in individual containers	B65B 3/00
Packaging under special atmospheric conditions	B65B 31/00
Packages for surgical instruments	A61B 50/30

B65B 5/02

Machines characterised by incorporation of means for making the containers or receptacles (making containers or receptacles of interest apart from this application, see the appropriate subclasses)

Definition statement

This place covers:

Forming or setting-up containers just before filling, the articles being subsequently filled into these preformed containers.

The container can be a collapsed carton sleeve; accent remaining on filling.

Machines incorporating means for making the containers or receptacles from flat, folded, or tubular webs of flexible sheet material, but which containers or receptacles are separated from the web before being filled.

References

Informative references

Attention is drawn to the following places, which may be of interest for search:

Packaging successive articles in flat, folded, or tubular webs of flexible sheet material	B65B 9/00
Making boxes or bags independently from packaging operations see the relevant groups of	B31B and its Indexing Codes

B65B 5/022**{for making bags}****References****Informative references***Attention is drawn to the following places, which may be of interest for search:*

Making bags independently from packaging operations see the relevant groups of	B31B , B31B 70/00
--	---

B65B 5/024**{for making containers from preformed blanks}****Definition statement***This place covers:*

Cartons formed adjacent to the articles, the articles being subsequently inserted into these preformed cartons.

References**Informative references***Attention is drawn to the following places, which may be of interest for search:*

Packaging by wrapping a carton blank around the article	B65B 11/06
Opening, erecting or setting up cartons	B65B 43/26
Making containers independently from packaging operations see the relevant groups of	B31B , B31B 50/00

B65B 5/026**{for making trays}****References****Informative references***Attention is drawn to the following places, which may be of interest for search:*

Making trays independently from packaging operations see the relevant groups of	B31B , B31B 50/00 , B31B 2100/00
---	---

B65B 5/028

{for making containers from two or more blanks ([B65B 5/026](#) takes precedence)}

References**Informative references**

Attention is drawn to the following places, which may be of interest for search:

Making containers independently from packaging operations see the relevant groups of	B31B , B31B 2105/00 , B31B 2120/00
--	---

B65B 5/045

{in bags}

References**Informative references**

Attention is drawn to the following places, which may be of interest for search:

Packaging of bread	B65B 25/16 , B65B 25/18
--------------------	---

B65B 5/08

Packaging groups of articles, the articles being individually gripped or guided for transfer to the containers or receptacles

Definition statement

This place covers:

This subgroup covers the gripping of a group of articles, wherein the articles are being gripped individually and simultaneously by the gripper.

References**Informative references**

Attention is drawn to the following places, which may be of interest for search:

Arranging and feeding articles in groups by grippers	B65B 35/36
Grippers in general	B25J
Grippers for transferring articles to/from/between conveyors	B65G 47/90

B65B 5/10

Filling containers or receptacles progressively or in stages by introducing successive articles, or layers of articles

References

Informative references

Attention is drawn to the following places, which may be of interest for search:

Stacking one article or groups of articles upon another before packaging	B65B 35/50
--	----------------------------

Special rules of classification

Containers filled in stages by introducing complete "layers" of articles, the documents are additionally to be classified in the relevant subgroups of [B65B 5/06](#) or [B65B 5/08](#).

B65B 5/103

{for packaging pills or tablets}

Definition statement

This place covers:

This group covers the packaging pills or tablets in containers or receptacles and in a blister web.

References

Informative references

Attention is drawn to the following places, which may be of interest for search:

Checking correctness of packaged medicine, such as tablets, capsules, or the like, with optical means	G01N 21/9508
Assembling and dispensing pharmaceutical articles in a coin-freed apparatus (i.e. vending machine)	G07F 17/0092

Special rules of classification

Packaging pills or tablets in a blister web are additionally classified in [B65B 9/045](#) or [B65B 11/52](#) according to the method in which the blister-web is produced.

B65B 5/105

{by grippers ([B65B 5/12](#) and [B65B 5/108](#) take precedence)}

References

Informative references

Attention is drawn to the following places, which may be of interest for search:

Arranging and feeding separate articles by grippers	B65B 35/16
Arranging and feeding articles in groups by grippers	B65B 35/36
Grippers in general	B25J
Grippers for transferring articles to/from/between conveyors	B65G 47/90

B65B 5/108**{Article support means temporarily arranged in the container}****References****Informative references***Attention is drawn to the following places, which may be of interest for search:*

Guides or funnels for introducing articles into containers or wrappers	B65B 39/007
--	-----------------------------

B65B 7/00**Closing containers or receptacles after filling****References****Informative references***Attention is drawn to the following places, which may be of interest for search:*

Filling into individual containers	B65B 1/00 , B65B 3/00 , B65B 5/00
Packaging under special atmospheric or gaseous conditions	B65B 31/00
Conditioning packages in combination with closing/sealing containers	B65B 31/046 , B65B 31/06
Securing package folds or closures, securing necks of bags	B65B 51/00
Shrinking wrappers containers or container covers	B65B 53/00
Sterilisation of packages or package contents	B65B 55/00
Control	B65B 57/00
Machine modularity/adaptability	B65B 59/00
Closing boxes or bags independently from packaging operations see	B31B , B31B 50/004 , B31B 70/004

B65B 7/02**Closing containers or receptacles deformed by, or taking-up shape, of, contents, e.g. bags, sacks****References****Informative references***Attention is drawn to the following places, which may be of interest for search:*

Sealing of bags by generating heat or pressure	B65B 51/146
--	-----------------------------

B65B 7/12

and twisting

References**Informative references***Attention is drawn to the following places, which may be of interest for search:*

Devices for gathering or twisting wrappers, or necks of bags	B65B 51/00
--	----------------------------

B65B 7/14

Closing collapsible or resilient tubes, e.g. for tooth paste, for lighter fuel

References**Informative references***Attention is drawn to the following places, which may be of interest for search:*

Heating tube ends to facilitate their sealing	B29B 13/025
Details of tools for joining the tube end by welding plastics materials	B29C66/463123

B65B 7/16

Closing semi-rigid or rigid containers or receptacles not deformed by, or not taking-up shape of, contents, e.g. boxes or cartons

References**Application-oriented references***Examples of places where the subject matter of this place is covered when specially adapted, used for a particular purpose, or incorporated in a larger system:*

Closing metal cans or tins by metal-working operations	B21D 51/26
--	----------------------------

Informative references*Attention is drawn to the following places, which may be of interest for search:*

Applying closure members to bottles, jars or similar containers	B67B 1/00 , B67B 3/00 , B67B 5/00 , B67B 6/00
Concurrent cleaning filling and sealing of bottles	B67C 7/00

Special rules of classification

[B65B 7/16](#) does not cover the closing of metal containers with metal closures nor the closing of metal containers using purely metal-working operations, which are both covered by [B21D 51/2653](#). Classification is done in both places for example when a filled non-metal container is covered by a metal closure using metal-working operations.

B65B 7/161**{Sealing filled ampoules}****References****Informative references***Attention is drawn to the following places, which may be of interest for search:*

Filling ampoules	B65B 3/003
Scoring ampoules	B65B 3/006
Applying plugs or stoppers to filled syringes	B65B 7/2821

B65B 7/162**{by feeding web material to securing means}****Definition statement***This place covers:*

The closing of containers by feeding web material across the open container and securing it thereto.

References**Informative references***Attention is drawn to the following places, which may be of interest for search:*

Machines incorporating means for making the container	B65B 1/02 , B65B 3/02 , B65B 5/02
Making of container by forming pockets in a lower sheet or web to which the web is fed for securing is classified in the relevant subgroups of	B65B 47/00
Cutting of web	B65B 61/04

B65B 7/164**{Securing by heat-sealing}****References****Informative references***Attention is drawn to the following places, which may be of interest for search:*

Devices for applying or generating heat	B65B 51/10
Joining thermoplastic materials by heat in general	B29C 65/02

B65B 7/167**{Securing by heat-shrinking}****References****Informative references***Attention is drawn to the following places, which may be of interest for search:*

Devices for heat shrinking	B65B 53/02
----------------------------	----------------------------

B65B 7/28**by applying separate preformed closures, e.g. lids, covers****References****Limiting references***This place does not cover:*

Applying separate securing members, e.g. clips, staples, adhesive tape, stitches	B65B 51/04
--	----------------------------

B65B 7/2807**{Feeding closures}****References****Informative references***Attention is drawn to the following places, which may be of interest for search:*

Feeding of auto-adhesives by labelling machines	B65C 9/1884
---	-----------------------------

B65B 7/2821**{applying plugs or threadless stoppers (for bottles or jars [B67B 1/04](#))}****Definition statement***This place covers:*

The application of plugs or stoppers to filled syringes.

References**Limiting references***This place does not cover:*

Bottles or jars	B67B 1/04
-----------------	---------------------------

B65B 7/2842**{Securing closures on containers (in general [B65B 51/00](#))}****References****Limiting references***This place does not cover:*

Securing closures on containers in general	B65B 51/00
--	----------------------------

Informative references*Attention is drawn to the following places, which may be of interest for search:*

Securing package folds or closures, securing necks of bags	B65B 51/00
--	----------------------------

B65B 7/285**{by deformation of the closure}****References****Application-oriented references***Examples of places where the subject matter of this place is covered when specially adapted, used for a particular purpose, or incorporated in a larger system:*

Forming the circumferential seam of a metal can by deformation	B21D 51/30
--	----------------------------

Special rules of classification

[B65B 7/285](#) does not cover the closing of metal containers with metal closures, which is covered by [B21D 51/30](#). Classification is done in both places for example when a filled non-metal container is covered by a metal closure using metal-working operations.

B65B 7/2864**{by adhesive tape}****References****Informative references***Attention is drawn to the following places, which may be of interest for search:*

Applying adhesive tape for securing package folds or package closures	B65B 51/06
Details of tools for joining plastic material by applying adhesive tape	B29C 65/50
Adhesive tape dispensers	B65H 35/0006

B65B 7/2871**{by gluing}****References****Informative references***Attention is drawn to the following places, which may be of interest for search:*

Devices for applying adhesives or sealing liquids	B65B 51/02
Details of gluing tools	B29C 65/48

B65B 7/2878**{by heat-sealing}****References****Informative references***Attention is drawn to the following places, which may be of interest for search:*

Devices for applying or generating heat	B65B 51/10
Joining plastics by heating in general	B29C 65/02

B65B 7/2885**{by heat-shrinking (in general [B65B 53/02](#))}****References****Informative references***Attention is drawn to the following places, which may be of interest for search:*

Devices for heat shrinking	B65B 53/02
----------------------------	----------------------------

B65B 9/00

**Enclosing successive articles, or quantities of material, e.g. liquids or semiliquids, in flat, folded, or tubular webs of flexible sheet material;
Subdividing filled flexible tubes to form packages**

Definition statement*This place covers:*

Packaging successive articles or quantities of material in webs of flexible sheet material. The typical form fill seal machines (FFS) are classified here. "Successive" in the title should be understood such, that packaging of the next article or material in-line is started before the packaging of the present article is brought to an end. The present packaged article is normally not separated from the web before the next article is enclosed therein.

References

Informative references

Attention is drawn to the following places, which may be of interest for search:

Enclosing articles in strips, sheets, blanks or webs of flexible material by wrapping	B65B 11/00
Packages for surgical instruments	A61B 50/30
Making cushion pads or dunnage products from paper or film	B31D 5/0039
Fixing semiconductor or solid state devices or parts thereof (e.g. wafers) on specially adapted carriers	H01L 21/673
Loading electric components into containers during manufacture of printed circuits	H05K 13/021

Special rules of classification

Operations like filling, inserting, enclosing of material into webs of flexible material that are employed in the manufacture of a wrapping material as such, are not considered to be enclosing in the meaning of [B65B 9/00](#) and covered by the appropriate subclasses, e.g. making dunnage or cushion pads [B31D 5/0039](#).

In this main group, the following features are additionally classified in the following places:

Packaging special articles	B65B 25/00
Conditioning packages	B65B 31/00
Feeding webs	B65B 41/00
Securing package folds or closures	B65B 51/00
Shrinking wrappers containers or container covers	B65B 53/00
Sterilisation of packages or package contents	B65B 55/00
Control	B65B 57/00
Machine modularity/adaptability	B65B 59/00
Operations on the web	B65B 61/00
Details of machines	B65B 65/00
Packaging special material	B65B 29/00

B65B 9/026

{the webs forming a curtain}

References

Informative references

Attention is drawn to the following places, which may be of interest for search:

Manufacturing absorbent pads, e.g. sanitary towels	A61F 13/15577
--	-------------------------------

B65B 9/04

one or both webs being formed with pockets for the reception of the articles, or of the quantities of material

References**Informative references**

Attention is drawn to the following places, which may be of interest for search:

Forming tool details for thermoforming plastic materials are classified in	B29C 51/18
--	----------------------------

Special rules of classification

In this group and its subgroups the tool detail rotary pocket former is also given the classification	B65B 2009/047
---	-------------------------------

B65B 9/042

{for fluent material}

Glossary of terms

In this place, the following terms or expressions are used with the meaning indicated:

Fluent	liquid or gas or granular or pulverulent
--------	--

B65B 9/045

{for single articles, e.g. tablets}

Definition statement

This place covers:

Blister packages where the pockets are formed before insertion of the articles.

References**Limiting references**

This place does not cover:

Blister packs formed around articles	B65B 11/52
--------------------------------------	----------------------------

B65B 9/06

Enclosing successive articles, or quantities of material, in a longitudinally-folded web, or in a web folded into a tube about the articles or quantities of material placed upon it

Special rules of classification

In this group and its subgroups the detail forming shoulder is additionally given the classification [B65B 2009/063](#)

B65B 9/067

the web advancing continuously ([B65B 9/08](#) takes precedence)

Special rules of classification

If the document discloses both continuous and intermittent operation, classification is done in both [B65B 9/067](#) and [B65B 9/073](#)

B65B 9/073

the web having intermittent motion ([B65B 9/08](#) takes precedence)

Special rules of classification

If the document discloses both continuous and intermittent operation, classification is done in both [B65B 9/067](#) and [B65B 9/073](#)

B65B 9/087

the web advancing continuously

Special rules of classification

If the document discloses both continuous and intermittent operation, classification is done in both [B65B 9/087](#) and [B65B 9/093](#)

B65B 9/093

the web having intermittent motion

Special rules of classification

If the document discloses both continuous and intermittent operation, classification is done in both [B65B 9/087](#) and [B65B 9/093](#)

B65B 9/10

Enclosing successive articles, or quantities of material, in preformed tubular webs, or in webs formed into tubes around filling nozzles, e.g. extruded tubular webs

References**Application-oriented references**

Examples of places where the subject matter of this place is covered when specially adapted, used for a particular purpose, or incorporated in a larger system:

Sausage filling or stuffing machines	A22C 11/02
--------------------------------------	----------------------------

B65B 9/14**Devices for distending tubes supplied in the flattened state****References****Limiting references**

This place does not cover:

Distending tubes that are to be applied to bottles	B65C 3/065
--	----------------------------

B65B 9/20**the webs being formed into tubes in situ around the filling nozzles****References****Informative references**

Attention is drawn to the following places, which may be of interest for search:

Evacuating, gassifying, or pressurising in combination with filling	B65B 31/045
---	-----------------------------

Special rules of classification

Packages of special shape are also classified in [B65B 9/2056](#) or [B65B 9/2063](#). Examples of packages classified in [B65B 9/2056](#) comprise for instance pyramide bags, bags with double chambers and bags with varying cross-sections.

Packages produced with an apparatus/method of this subgroup(s) and which are additionally packaged into a further container are also classified in the Indexing Codes of [B65B 2220/16](#).

B65B 9/2021**{combined with longitudinal welding devices}****Definition statement**

This place covers:

Heated belts, heated rollers.

References**Informative references**

Attention is drawn to the following places, which may be of interest for search:

Structural features of longitudinal welding devices	B65B 51/26
---	----------------------------

B65B 9/2035**{Tube guiding means}****References****Informative references***Attention is drawn to the following places, which may be of interest for search:*

Tube formers	B65B 9/22
Guiding of the web by rollers before the tube is formed	B65B 41/16

Special rules of classificationRollers for guiding and for forming tubes are classified both here and in [B65B 9/22](#)**B65B 9/2042****{Means for altering the cross-section of the tube filling opening prior to transversal sealing, e.g. tube spreading devices (subdividing filled tubes to form two or more packages by sealing involving displacement of contents [B65B 9/12](#))}****Definition statement***This place covers:*

Spreading devices.

Gusset tucking devices.

Creation of additional edge welds after forming of tube for giving the package more stability.

B65B 9/2049**{Package shaping devices acting on filled tubes prior to sealing the filling opening (shaping or reshaping completed packages [B65B 61/24](#))}****Definition statement***This place covers:*

Folding in corners

Rotary forming devices, etc.

References**Limiting references***This place does not cover:*

Means for stripping to remove air or products from sealing area	B65B 9/2007
If shaping takes place after cutting the container off, e.g. reshaping completed packages	B65B 61/24

B65B 9/207

the web advancing continuously ([B65B 9/22](#) takes precedence)

Special rules of classification

If document discloses both continuous and intermittent operation, classification is done in both [B65B 9/213](#) and [B65B 9/207](#)

B65B 9/213

the web having intermittent motion ([B65B 9/22](#) takes precedence)

Special rules of classification

If document discloses both continuous and intermittent operation, classification is done in both [B65B 9/213](#) and [B65B 9/207](#)

B65B 9/22

Forming shoulders; Tube formers

Special rules of classification

If tube is formed by rollers, then classification [B65B 9/2035](#) is also given.

If document shows a form fill seal (FFS) machine then classification is also done in [B65B 9/207](#) and/or [B65B 9/213](#) or [B65B 9/20](#)

B65B 11/00

Wrapping, e.g. partially or wholly enclosing, articles or quantities of material, in strips, sheets or blanks, of flexible material (bundling articles by applying narrow strips or bands of flexible material [B65B 13/00](#))

Definition statement

This place covers:

Two main aspects:

- Wrapping by application of a web in (several) layers onto the articles or quantities of material, the web not necessarily being a pre-cut strip, sheet or blank;
- Packaging in (cut off) strips sheets and blanks of flexible material applied around the articles or quantities of material.

The first aspect is covered by subgroups [B65B 11/006](#), [B65B 11/008](#), [B65B 11/02](#) and [B65B 11/04](#).

The second aspect is covered by subgroups [B65B 11/004](#), [B65B 11/06](#), [B65B 11/48](#), [B65B 11/50](#), [B65B 11/54](#), [B65B 11/56](#) and [B65B 11/58](#).

References**Limiting references**

This place does not cover:

Bundling articles by applying narrow strips or bands of flexible material	B65B 13/00
---	----------------------------

Informative references

Attention is drawn to the following places, which may be of interest for search:

Cartons pre-formed adjacent to the article, the article subsequently being inserted into the pre-formed carton	B65B 5/024
Enclosing successive articles or materials in flexible webs	B65B 9/00
Devices for folding or bending wrappers around contents	B65B 49/00
Devices for gathering or twisting wrappers	B65B 51/00
Shaping webs or sheets by stretching	B29C 55/02

Special rules of classification

The following features are additionally classified in the following places:

Packaging bottles [B65B 21/00](#)

Packaging special articles [B65B 25/00](#)

Conditioning packages [B65B 31/00](#)

Feeding webs [B65B 41/00](#)

Devices for folding or bending wrappers around contents [B65B 49/00](#)

Details of securing package folds or closures [B65B 51/00](#) .

Shrinking wrappers containers or container covers [B65B 53/00](#) .

Sterilisation of packages or package contents [B65B 55/00](#).

Control [B65B 57/00](#).

Machine modularity/adaptability [B65B 59/00](#)

Operations on the web [B65B 61/00](#).

Details of machines [B65B 65/00](#).

B65B 11/004

{in blanks, e.g. sheets precut and creased for folding }

References**Informative references**

Attention is drawn to the following places, which may be of interest for search:

Folding blanks around a mandrel to create a container see	B65B , B31B 50/28
Devices for folding or bending wrappers around contents	B65B 49/00

Special rules of classification

Documents classified here are additionally classified in [B65B 11/06](#) and its subgroups, provided they apply.

B65B 11/006**{Helical strip wrapping combined with roping}****Special rules of classification**

Documents classified here are additionally classified in [B65B 2210/14](#) and its subgroups, provided they apply.

Glossary of terms

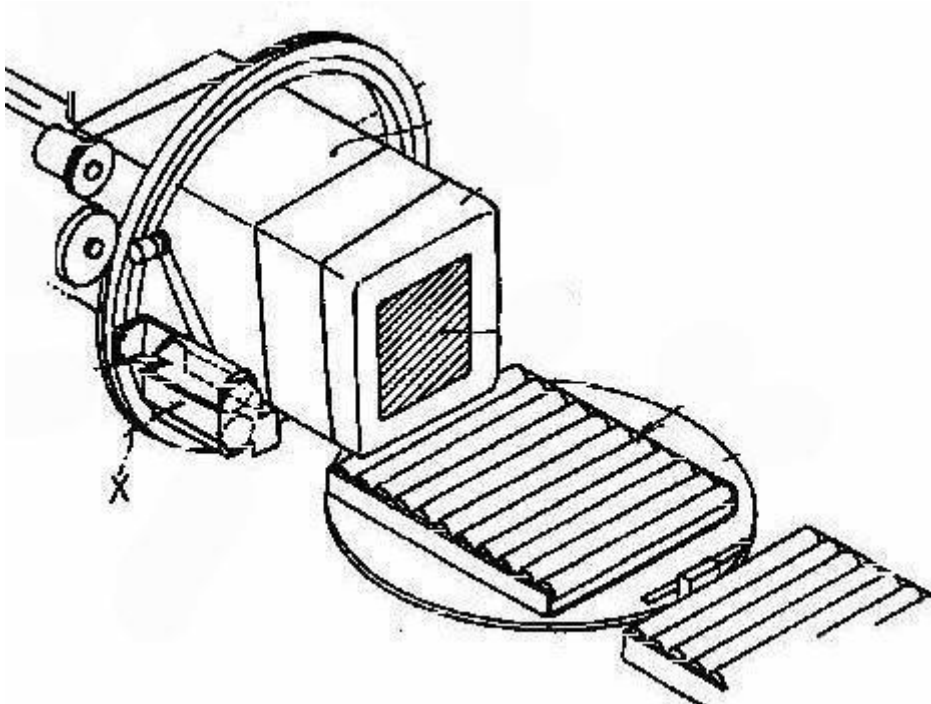
In this place, the following terms or expressions are used with the meaning indicated:

Roping	gathering the flat web into a rope, which is applied helically around the object or to finish the wrapping operation.
--------	---

B65B 11/008**{by webs revolving around articles moved along the axis of revolution}****Definition statement**

This place covers:

Helicoidal wrapping, the article being moved:



JP2002225807

References**Limiting references**

This place does not cover:

Helicoidal wrapping around stationary or merely rotating articles	B65B 11/02 , B65B 11/04
---	---

Special rules of classification

Documents classified here are additionally classified in [B65B 2210/14](#) and its subgroups, provided they apply.

B65B 11/02

Wrapping articles or quantities of material, without changing their position during the wrapping operation, e.g. in moulds with hinged folders (by doubling a wrapper and securing its opposed free margins to enclose contents [B65B 11/48](#); by disposing contents between two sheets and securing their opposed free margins [B65B 11/50](#))

References

Limiting references

This place does not cover:

Wrapping articles by doubling a wrapper and securing its opposed free margins to enclose contents	B65B 11/48
Wrapping articles by disposing contents between two sheets and securing their opposed free margins	B65B 11/50

Informative references

Attention is drawn to the following places, which may be of interest for search:

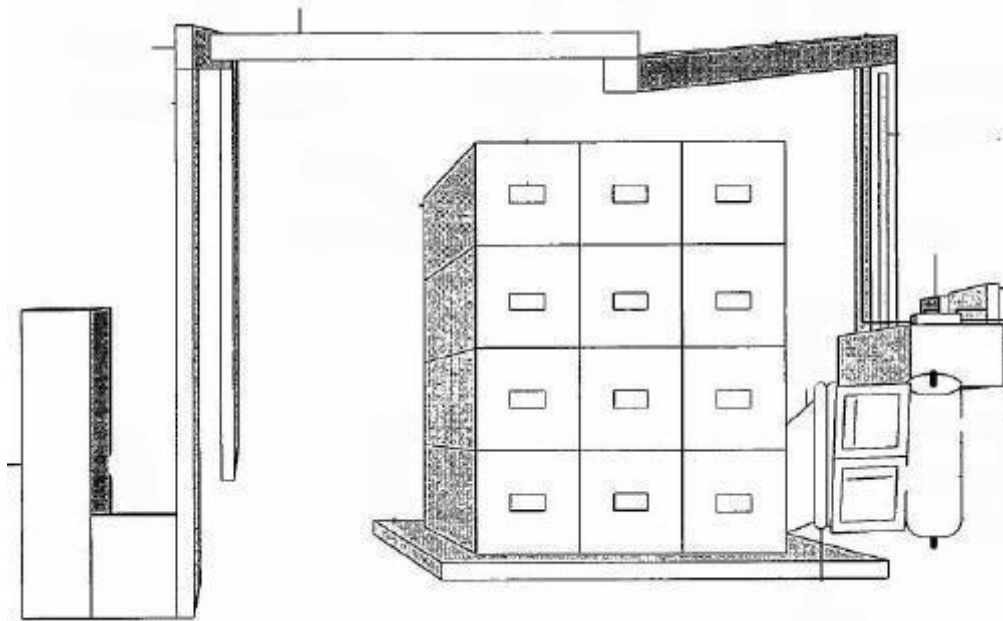
Covering or wrapping cores by winding webs, tapes, or filamentary material	B65H 81/00
--	----------------------------

B65B 11/025

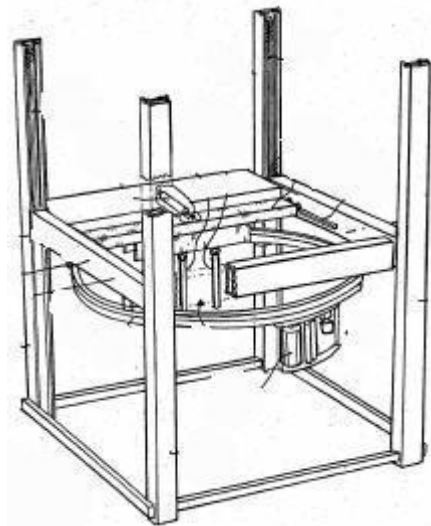
{by webs revolving around stationary articles}

Definition statement

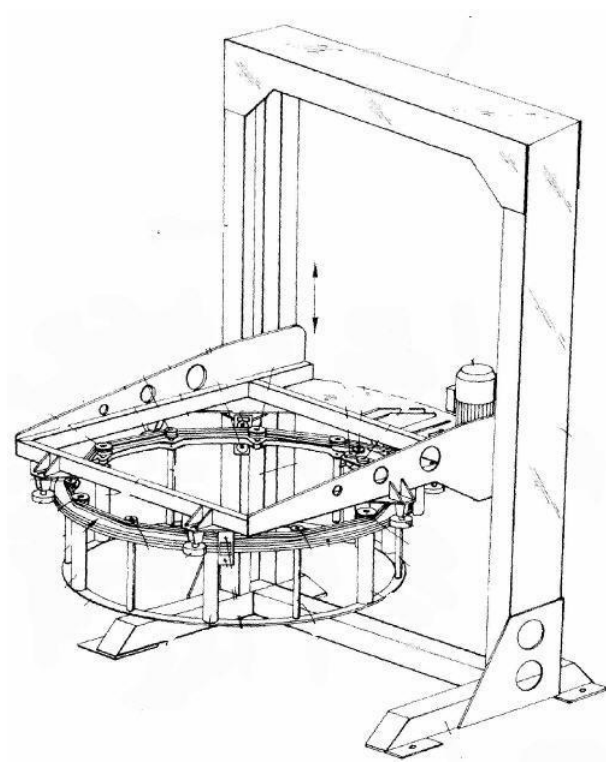
This place covers:



WO2006050440 Rotary arm type



EP1471004 stationary ring type, the dispenser alone moving along the ring



EP1705119 rotary ring type

Special rules of classification

Documents classified here are additionally classified in [B65B 2210/14](#) and its subgroups, provided they apply.

B65B 11/04

the articles being rotated

References

Application-oriented references

Examples of places where the subject matter of this place is covered when specially adapted, used for a particular purpose, or incorporated in a larger system:

Wrapping devices for individual bales of straw, hay or the like, in particular as part of a baling press	A01F 15/071
--	-----------------------------

B65B 11/06

Wrapping articles, or quantities of material, by conveying wrapper and contents in {common} defined paths

Definition statement

This place covers:

the conveying of wrapper and article along common paths.

Emphasis is put on the word common, meaning the path taken by the article from the point where it first touches the wrapper.

Examples:

- The article is conveyed along a straight path and pushed into a seat of a wrapping machine - this would be a common straight path whereby the wrapper is folded around the article.
- The article is conveyed along a straight path and pushed into a seat of a wrapping machine, the wrapping machine subsequently completing the wrapping of the article along a different straight direction than the first straight path -this would be a two straight paths taken by wrapper and article.
- The wrapper with the article undergo a folding operation along the rotary path of a turret - this would be a common curved path taken by the article and wrapper.
- A wrapping operation comprising both a straight path and a curved path would be a combination of straight and curved paths.

References

Limiting references

This place does not cover:

Wrapping of coins	G07D 9/065
-------------------	----------------------------

Special rules of classification

Articles wrapped in preformed blanks, e.g. blanks precut and creased for

Folding, are additionally classified in	B65B 11/004
---	-----------------------------

B65B 11/10

to fold the wrappers in tubular form about contents

References

Informative references

Attention is drawn to the following places, which may be of interest for search:

Wrapping bottles	B65B 21/245
------------------	-----------------------------

B65B 11/105

{the axis of the tube being parallel to the conveying direction}

References

Informative references

Attention is drawn to the following places, which may be of interest for search:

Wrapping bottles	B65B 21/24
------------------	----------------------------

B65B 11/14

the ends of the tube being subsequently twisted

References***Informative references***

Attention is drawn to the following places, which may be of interest for search:

Twisting devices	B65B 51/00
------------------	----------------------------

B65B 11/24

the ends of the tube being subsequently twisted

References***Informative references***

Attention is drawn to the following places, which may be of interest for search:

Twisting devices	B65B 51/00
------------------	----------------------------

B65B 11/34

the ends of the tube being subsequently twisted

References***Informative references***

Attention is drawn to the following places, which may be of interest for search:

Twisting devices	B65B 51/00
------------------	----------------------------

B65B 11/44

the ends of the tube being subsequently twisted

References***Informative references***

Attention is drawn to the following places, which may be of interest for search:

Twisting devices	B65B 51/00
------------------	----------------------------

B65B 11/52

one sheet being rendered plastic, e.g. by heating, and forced by fluid pressure, e.g. vacuum, into engagement with the other sheet and contents, e.g. skin- {, blister-, or bubble-} packaging

Definition statement

This place covers:

Blister packs formed around the articles

References**Limiting references**

This place does not cover:

Enclosing articles in blister packages where the pockets are formed into webs before insertion of the articles	B65B 9/045
--	----------------------------

B65B 11/54

Wrapping by causing the wrapper to embrace one end and all sides of the contents, and closing the wrapper onto the opposite end by forming regular or irregular pleats

References**Informative references**

Attention is drawn to the following places, which may be of interest for search:

Flexible brushes or diaphragms to bend wrapper around contents	B65B 49/06
Twisting the end of the wrapper	B65B 51/00

B65B 11/56

Rolling articles with wrappers along a supporting surface

References**Application-oriented references**

Examples of places where the subject matter of this place is covered when specially adapted, used for a particular purpose, or incorporated in a larger system:

For bottles	B65B 21/26
-------------	----------------------------

B65B 13/00**Bundling articles****References****Application-oriented references**

Examples of places where the subject matter of this place is covered when specially adapted, used for a particular purpose, or incorporated in a larger system:

Bundling particular articles presenting special problems using string, wire, or narrow tape or band	B65B 27/00
Specially adapted for harvesting	A01D 37/00 , A01D 39/00 , A01D 59/00 , A01F 1/00

Informative references

Attention is drawn to the following places, which may be of interest for search:

Straining wire in general	B21F 9/00
Connecting wire to wire in general	B21F 15/00
Securing cargo in vehicles	B60P 7/00

Special rules of classification

Bundling special articles are additionally classified in the relevant subgroups of [B65B 27/00](#)

B65B 13/02**Applying and securing binding material around articles or groups of articles, e.g. using strings, wires, strips, bands or tapes****References****Application-oriented references**

Examples of places where the subject matter of this place is covered when specially adapted, used for a particular purpose, or incorporated in a larger system:

Tying devices in bailing presses	A01F 15/04 , B30B 9/30
Applying reinforcing means to non-metal sleepers	E01B 31/28

B65B 13/025**{Hand-held tools}****References****Application-oriented references**

Examples of places where the subject matter of this place is covered when specially adapted, used for a particular purpose, or incorporated in a larger system:

Hand tools for applying strapping material on building sites	E04G 21/12
--	----------------------------

Special rules of classification

Elongated bars for manually guiding a strap underneath a pallet are additionally to be classified in [B65B 13/08](#)

B65B 13/027

{for applying straps having preformed connecting means, e.g. cable ties}

Definition statement

This place covers:

E.g. a buckle.

References**Informative references**

Attention is drawn to the following places, which may be of interest for search:

Securing ends of binding material by applying separate securing members	B65B 13/345
Applying hose clamps	B25B 25/005

B65B 13/08

Single guide or carrier for the free end of material movable part-away around articles from one side only

Special rules of classification

Guides in the form of elongated bars for manual guidance under a pallet are additionally classified in [B65B 13/025](#)

B65B 13/181

{applying edge protecting members during bundling}

Definition statement

This place covers:

bundling or wrapping

B65B 13/182

{Affixing labels during bundling}

References**Informative references**

Attention is drawn to the following places, which may be of interest for search:

Labelling machines in general	B65C
-------------------------------	----------------------

B65B 13/22**Means for controlling tension of binding means****References*****Informative references****Attention is drawn to the following places, which may be of interest for search:*

Tensioning load in cars and lorries	B60P 7/083
-------------------------------------	----------------------------

B65B 13/285**{Hand tools}****References*****Application-oriented references****Examples of places where the subject matter of this place is covered when specially adapted, used for a particular purpose, or incorporated in a larger system:*

Hand held tools for twisting ends of strapping material on building sites	E04G 21/12
---	----------------------------

B65B 13/322**{Friction welding}****References*****Informative references****Attention is drawn to the following places, which may be of interest for search:*

Details of friction sealing tools	B29C 65/06
-----------------------------------	----------------------------

B65B 13/325**{Ultrasonic welding}****References*****Informative references****Attention is drawn to the following places, which may be of interest for search:*

Details of ultrasonic sealing tools	B29C 65/08
-------------------------------------	----------------------------

B65B 13/327**{Hand tools}****References*****Informative references****Attention is drawn to the following places, which may be of interest for search:*

Joining tools of hand held type	B29C 66/861
---------------------------------	-----------------------------

B65B 13/345**{Hand tools}****References*****Informative references****Attention is drawn to the following places, which may be of interest for search:*

Securing straps having integral preformed connecting means	B65B 13/027
Hand tools for crimping metal	B25B 27/146

B65B 15/00**Attaching articles to cards, sheets, strings, webs, or other carriers****References*****Informative references****Attention is drawn to the following places, which may be of interest for search:*

Adding cards or other inserts to package contents	B65B 61/20
---	----------------------------

B65B 15/02**Attaching small articles, e.g. buttons, to cards****References*****Informative references****Attention is drawn to the following places, which may be of interest for search:*

Cards for buttons, collar-studs, or sleeve-links	A44B 7/00
--	---------------------------

B65B 15/04

Attaching a series of articles, e.g. small electrical components, to a continuous web {(ammunition filling [F42B](#))}

References

Limiting references

This place does not cover:

Packaging ammunition using cartridge belts	F42B 39/08
--	----------------------------

Application-oriented references

Examples of places where the subject matter of this place is covered when specially adapted, used for a particular purpose, or incorporated in a larger system:

Placing of electric components on belts holding the terminals	H05K 13/003
---	-----------------------------

B65B 17/00

Other machines, apparatus, or methods for packaging articles or materials

Definition statement

This place covers:

This main group covers all packaging machines, apparatus or methods that are not covered by any other of the [B65B](#) main groups.

B65B 17/02

Joining articles, e.g. cans, directly to each other for convenience of storage, transport, or handling

References

Limiting references

This place does not cover:

Bundling cans	B65B 27/04
---------------	----------------------------

B65B 19/00

Packaging rod-shaped or tubular articles susceptible to damage by abrasion or pressure, e.g. cigarettes, cigars, macaroni, spaghetti, drinking straws or welding electrodes

Definition statement

This place covers:

Packaging finished cigarettes, cigars and other rod-shaped articles

References

Informative references

Attention is drawn to the following places, which may be of interest for search:

Packaging tobacco in bags (snus)	B65B 29/00
Manufacture or preparation of tobacco for smoking, the making of the cigarette and the making of chewing tobacco (snuff)	A24B
Final treatment of cigars or cigarettes after manufacture	A24C 1/38 , A24C 5/60

B65B 19/02

Packaging cigarettes

References

Informative references

Attention is drawn to the following places, which may be of interest for search:

Auxiliary devices for drying glued or sealed packages	B65B 61/002
---	-----------------------------

B65B 19/105

{using rotary drums for withdrawal of successive layers from a hopper}

References

Informative references

Attention is drawn to the following places, which may be of interest for search:

Withdrawal of successive layers from a hopper using a pocketed conveyor	B65B 19/10
---	----------------------------

B65B 19/20

into boxes with hinged lids

Definition statement

This place covers:

Everything about "collars"

References

Informative references

Attention is drawn to the following places, which may be of interest for search:

Cigarette boxes having hinged lids	B65D 85/1045
------------------------------------	------------------------------

B65B 19/228**{Preparing and feeding blanks}****References*****Informative references****Attention is drawn to the following places, which may be of interest for search:*

Feeding blanks in general	B65B 41/00
---------------------------	----------------------------

B65B 19/28**Control devices for cigarette or cigar packaging machines****References*****Informative references****Attention is drawn to the following places, which may be of interest for search:*

Control devices of general application in packaging machines	B65B 57/00
--	----------------------------

B65B 19/30**responsive to presence of faulty articles, e.g. incorrectly filled cigarettes****References*****Informative references****Attention is drawn to the following places, which may be of interest for search:*

Examining cigarettes not in combination with packaging	A24C 5/34
Optical inspection of external surface of cylindrical bodies for the presence of flaws or contamination	G01N 21/952

B65B 19/34**Packaging other rod-shaped articles, e.g. sausages, macaroni, spaghetti, drinking straws, welding electrodes****References*****Informative references****Attention is drawn to the following places, which may be of interest for search:*

Bundling rod-shaped articles	B65B 27/10
------------------------------	----------------------------

B65B 21/00

Packaging or unpacking of bottles (bundling bottles [B65B 27/04](#))

References**Limiting references**

This place does not cover:

Bundling bottles	B65B 27/04
------------------	----------------------------

Informative references

Attention is drawn to the following places, which may be of interest for search:

Joining bottles directly to each other e.g. by glueing	B65B 17/02
--	----------------------------

Special rules of classification

Documents classified in this main group should additionally be classified in the relevant subgroups of:

- [B65B 5/00](#)
- [B65B 9/00](#)
- [B65B 11/00](#)

B65B 21/02

in or from preformed containers, e.g. crates

References**Informative references**

Attention is drawn to the following places, which may be of interest for search:

Introducing bottles into cases via centering devices or grids	B65B 39/006
---	-----------------------------

B65B 21/04

Arranging, assembling, feeding, or orientating the bottles prior to introduction into, or after removal from, containers {([B65B 21/025](#) takes precedence)}

References**Informative references**

Attention is drawn to the following places, which may be of interest for search:

Arranging, assembling, feeding or orientating of articles to be packaged in general	B65B 35/00
Arranging, feeding, transferring or orientating of articles in association with conveyors are classified in the relevant subgroups of	B65G 47/00

B65B 21/08

Introducing or removing single bottles, or groups of bottles, e.g. for progressive filling or emptying of containers

References**Limiting references**

This place does not cover:

Picking up and depositing groups of bottles for filling the container in a single step	B65B 21/14
--	----------------------------

B65B 21/12

using grippers engaging bottles, e.g. bottle necks

References**Informative references**

Attention is drawn to the following places, which may be of interest for search:

Arranging and feeding bottles in groups by grippers	B65B 35/16 , B65B 35/36
Grippers in general	B25J
Devices for picking-up and depositing articles in combination with conveyors	B65G 47/90

B65B 21/14

Introducing or removing groups of bottles, for filling or emptying containers in one operation

References**Limiting references**

This place does not cover:

Picking up and depositing single bottles and progressively filling/emptying a container with several groups of bottles is classified in	B65B 21/08
---	----------------------------

B65B 21/18

using grippers engaging bottles, e.g. bottle necks

References**Informative references**

Attention is drawn to the following places, which may be of interest for search:

Arranging and feeding bottles in groups by grippers	B65B 35/16 , B65B 35/36
Grippers in general	B25J
Devices for picking-up and depositing articles in general	B65G 47/90

B65B 21/186**{Inflatable grippers}****Definition statement***This place covers:*

Inflatable grippers for engaging bottle necks in combination with packaging

References**Informative references***Attention is drawn to the following places, which may be of interest for search:*

Inflatable grippers for picking up and depositing articles in combination with conveying	B65G 47/908
--	-----------------------------

B65B 21/24**Enclosing bottles in wrappers****Definition statement***This place covers:*

Wrapping bottles with cardboard which has holes for the bottle necks.

Special rules of classificationDocuments classified in [B65B 21/24](#) and its subgroups are also classified in the relevant subgroups of [B65B 9/00](#) or [B65B 11/00](#)**B65B 21/242****{in collapsed carton sleeves}****References****Informative references***Attention is drawn to the following places, which may be of interest for search:*

Machines incorporating means for making the containers from preform blanks	B65B 5/024
Feeding carton blanks	B65B 43/14
Erecting or setting up carton blanks	B65B 43/26

B65B 21/245**{in flexible wrappers, e.g. foils ([B65B 21/26](#) takes precedence)}****Definition statement***This place covers:*

Enclosing one or several bottles into a wrapper.

References

Limiting references

This place does not cover:

Applying wrappers to individual bottles by operations involving rotation or rolling of the bottles	B65B 21/26
--	----------------------------

Informative references

Attention is drawn to the following places, which may be of interest for search:

Enclosing bottles in narrow bands, i.e. bundling	B65B 27/04
Labelling by placing tubular labels around the container	B65C 3/065

Special rules of classification

The application of sleeves to bottles is considered to be labelling [B65C 3/065](#).

B65B 21/26

Applying wrappers to individual bottles by operations involving rotation or rolling of the bottles

References

Informative references

Attention is drawn to the following places, which may be of interest for search:

To articles in general	B65B 11/56
Straw-made wrappers	B65B 21/247

B65B 23/00

Packaging fragile or shock-sensitive articles other than bottles; Unpacking eggs (embedding articles in shock-absorbing media [B65B 55/20](#))

References

Limiting references

This place does not cover:

Embedding articles in shock-absorbing media	B65B 55/20
---	----------------------------

Informative references

Attention is drawn to the following places, which may be of interest for search:

Fixing semiconductor or solid state devices or parts thereof (e.g. wafers) on specially adapted carriers	H01L 21/673
Loading electric components into containers during manufacture of printed circuits	H05K 13/021

Special rules of classification

Documents classified in this main group should additionally be classified in the relevant subgroups of:

- [B65B 5/00](#)
- [B65B 9/00](#) and/or [B65B 11/00](#)

B65B 23/02

Packaging or unpacking eggs

References

Informative references

Attention is drawn to the following places, which may be of interest for search:

Testing, sorting or cleaning of eggs	A01K 43/00
Preservation of eggs	A23B 5/00

B65B 23/06

Arranging, feeding, or orientating the eggs to be packed; Removing eggs from trays or cartons

References

Informative references

Attention is drawn to the following places, which may be of interest for search:

Arranging, feeding or orientating of articles to be packaged in general	B65B 35/00 .
Arranging, feeding, transferring or orientating of articles in association with conveyors in general	B65G 47/00

B65B 23/08

using grippers

References

Informative references

Attention is drawn to the following places, which may be of interest for search:

Testing, sorting or cleaning eggs	A01K 43/00
Transferring eggs to an inoculation machine	A01K 45/007
Egg grippers for cooking purposes	A47J 29/06

B65B 23/12**Arranging, feeding or orientating the biscuits to be packaged****References****Informative references**

Attention is drawn to the following places, which may be of interest for search:

Arranging, feeding or orientating of articles to be packaged in general	B65B 35/00
Arranging and feeding biscuits in connection with baking	A21C 15/00

B65B 23/20**Packaging plate glass, tiles, or shingles****References****Informative references**

Attention is drawn to the following places, which may be of interest for search:

Bundling of bricks or other building blocks	B65B 27/02 .
Measures for preventing damage to stacked glass sheets	B65G 49/068

B65B 25/00**Packaging other articles presenting special problems (bundling [B65B 27/00](#))****References****Limiting references**

This place does not cover:

Bundling	B65B 27/00
----------	----------------------------

Informative references

Attention is drawn to the following places, which may be of interest for search:

Packages for surgical instruments	A61B 50/30
-----------------------------------	----------------------------

Special rules of classification

Documents classified in this main group should additionally be classified in the relevant subgroups of:

[B65B 5/00](#)

[B65B 9/00](#) and/or - [B65B 11/00](#)

B65B 25/001

{of foodstuffs, combined with their conservation ([B65B 25/041](#), [B65B 25/062](#), [B65B 25/067](#) take precedence)}

References**Informative references**

Attention is drawn to the following places, which may be of interest for search:

Adding desiccant to the package, see also	B65B 25/041 , B65B 25/067 , B65B 55/19 , B65B 61/20
Packaging under special atmospheric conditions	B65B 31/00
Preserving, protecting or purifying packages or package contents in association with packaging	B65B 55/00
General methods for preserving meat, sausages, fish or fish products	A23B 4/00
Preservation of fruits and vegetables	A23B 7/00
Preservation of edible seeds	A23B 9/00
Preservation of foods or foodstuffs, in general	A23L
Packages specially adapted herefor	B65D 81/24

B65B 25/002

{packaging of information carriers, e.g. records, CD, DVD}

Definition statement

This place covers:

Packaging of all kind of information carriers (CD's,DVD's,videos,etc.)

References**Informative references**

Attention is drawn to the following places, which may be of interest for search:

CD cases	G11B 33/0405 .
----------	--------------------------------

B65B 25/005

{packaging of confectionery}

References**Informative references**

Attention is drawn to the following places, which may be of interest for search:

Apparatus for measuring, weighing or wrapping of chocolate or candies	A23G 7/0012
---	-----------------------------

B65B 25/007**{packaging of ice-cream}****References****Informative references***Attention is drawn to the following places, which may be of interest for search:*

Filling ice-cream into containers	A23G 9/283
-----------------------------------	----------------------------

B65B 25/008**{packaging of contact lenses}****References****Informative references***Attention is drawn to the following places, which may be of interest for search:*

Immersing lenses in protective liquids	B65B 55/22
Contact lens cases	A45C 11/005
Moulding of contact lenses	B29D 11/00038
Making of optical lenses	G02B

B65B 25/02**Packaging agricultural or horticultural products****References****Limiting references***This place does not cover:*

Packaging tobacco	B65B 29/00
-------------------	----------------------------

B65B 25/04**Packaging fruit or vegetables****Definition statement***This place covers:*

Packaging fruit and vegetables in trays.

References**Application-oriented references***Examples of places where the subject matter of this place is covered when specially adapted, used for a particular purpose, or incorporated in a larger system:*

Bag or sack filling devices associated with digging harvesters	A01D 33/10
--	----------------------------

Informative references

Attention is drawn to the following places, which may be of interest for search:

Applying stretch film over trays	B65B 11/54
----------------------------------	----------------------------

B65B 25/041

{combined with their conservation}

References**Informative references**

Attention is drawn to the following places, which may be of interest for search:

Adding desiccant to the package, see also	B65B 25/001 , B65B 25/067 , B65B 55/19 , B65B 61/20
---	---

B65B 25/046

{in crates or boxes ([B65B 25/045](#) takes precedence)}

References**Limiting references**

This place does not cover:

Packaging fruit and vegetables in trays	B65B 25/04
---	----------------------------

Informative references

Attention is drawn to the following places, which may be of interest for search:

Adding desiccant to the package, see also	B65B 25/001 , B65B 25/067 , B65B 55/19 , B65B 61/20
---	---

B65B 25/06

Packaging slices or specially-shaped pieces of meat, cheese, or other plastic or tacky products

References**Limiting references**

This place does not cover:

Extrusion combined with cutting and packaging (e.g. butter)	A01J 21/02
---	----------------------------

Informative references

Attention is drawn to the following places, which may be of interest for search:

General methods for preserving meat, sausages, fish or fish products	A23B
--	----------------------

Preservation of foods or foodstuffs, in general	A23L
Conveying or stacking cut products	B26D 7/32

B65B 25/062**{combined with its conservation}****References*****Informative references****Attention is drawn to the following places, which may be of interest for search:*

Packaging under special atmospheric conditions	B65B 31/00
Preserving, protecting or purifying packages or package contents in association with packaging	B65B 55/00

B65B 25/065**{of meat}****References*****Limiting references****This place does not cover:*

Sausage making	A22C 11/00
----------------	----------------------------

B65B 25/067**{combined with its conservation}****References*****Informative references****Attention is drawn to the following places, which may be of interest for search:*

Packaging under special atmospheric conditions	B65B 31/00
Preserving, protecting or purifying packages or package contents in association with packaging	B65B 55/00

B65B 25/08**between layers or strips of sheet or web material, e.g. in webs folded to zig-zag form****References*****Informative references****Attention is drawn to the following places, which may be of interest for search:*

Slicing machines with inter-leavers for stacked slices	B26D 7/325
--	----------------------------

B65B 25/14

Packaging paper or like sheets, envelopes, or newspapers, in flat, folded, or rolled form

References**Limiting references**

This place does not cover:

Inserting (packaging) documents into envelopes	B43M 3/00
--	---------------------------

Informative references

Attention is drawn to the following places, which may be of interest for search:

Bundling paper or like sheets	B65B 27/08
-------------------------------	----------------------------

B65B 25/145

{packaging folded articles}

Definition statement

This place covers:

Examples of folded articles are: towels, napkins, diapers, absorbent articles in general

References**Informative references**

Attention is drawn to the following places, which may be of interest for search:

Devices for folding articles	B65B 63/04
------------------------------	----------------------------

B65B 25/146

{packaging rolled-up articles}

Definition statement

This place covers:

E.g. toilet or kitchen rolls.

B65B 25/148

{Jumbo paper rolls}

Definition statement

This place covers:

E.g. applying covers at the ends of the rolls.

References

Limiting references

This place does not cover:

Applying tape on the paper roll	B65H 19/29
---------------------------------	----------------------------

Informative references

Attention is drawn to the following places, which may be of interest for search:

Means for folding down the protruding parts of the wrapper onto the end faces of the roll	B65B 51/00
---	----------------------------

B65B 25/18

Wrapping sliced bread

Definition statement

This place covers:

Packaging bread in general, e.g. by wrapping.

References

Informative references

Attention is drawn to the following places, which may be of interest for search:

Cutting or slicing machines or devices specially adapted for baked articles other than bread	A21C 15/04
For bread	B26B , B26D

B65B 25/20

Packaging garments, e.g. socks, stockings, shirts

References

Limiting references

This place does not cover:

Packaging garments in combination with folding	B65B 63/045
--	-----------------------------

Informative references

Attention is drawn to the following places, which may be of interest for search:

Folding of garments without packaging	D06F 89/00
---------------------------------------	----------------------------

B65B 25/22

Packaging articles of food, e.g. fish fillets, intended to be cooked in the package

Definition statement

This place covers:

Edible articles

References**Limiting references**

This place does not cover:

Packaging edible materials (i.e. powder/liquid) which are to be cooked/infused in the package	B65B 29/08
---	----------------------------

B65B 25/24

Packaging annular articles, e.g. tyres

References**Informative references**

Attention is drawn to the following places, which may be of interest for search:

Bundling annular objects	B65B 27/06
--------------------------	----------------------------

Synonyms and Keywords

In patent documents, the following words/expressions are often used as synonyms:

- "tyres" and "tires"

B65B 27/00

Bundling particular articles presenting special problems using string, wire, or narrow tape or band; Baling fibrous material, e.g. peat, not otherwise provided for

References**Informative references**

Attention is drawn to the following places, which may be of interest for search:

Bundling articles in general	B65B 13/00
------------------------------	----------------------------

Special rules of classification

Documents classified in this main group should additionally be classified in the relevant subgroups of [B65B 13/00](#)

B65B 27/02**Bundling bricks or other building blocks****References*****Informative references***

Attention is drawn to the following places, which may be of interest for search:

Packaging plate glass, tiles or shingles	B65B 23/20
--	----------------------------

B65B 27/04**Bundling groups of cans or bottles****References*****Limiting references***

This place does not cover:

Joining cans directly to each other	B65B 17/02
Joining cans by top carrier element	B65B 17/025

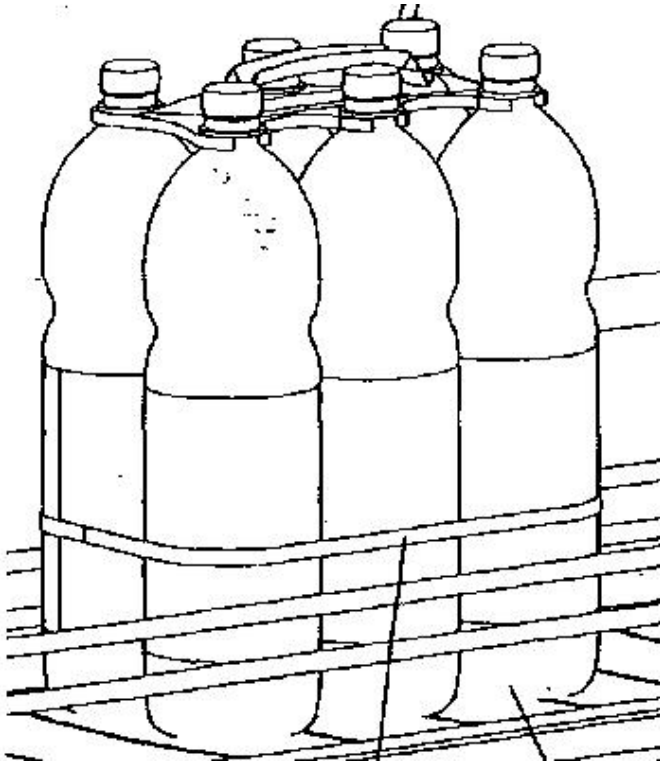
Informative references

Attention is drawn to the following places, which may be of interest for search:

Wrapping bottles	B65B 21/24
------------------	----------------------------

Special rules of classification

In cases where the cans or bottles are bundled together by a "top carrier element" in addition to a strap, classification [B65B 17/025](#) is given in addition to [B65B 27/04](#).



EP1886921

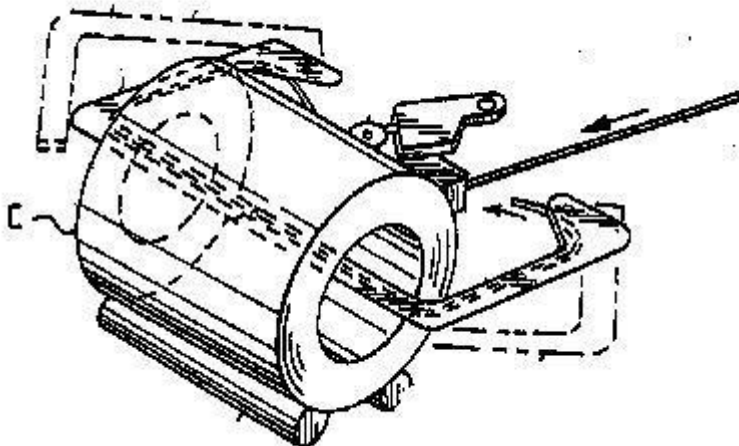
B65B 27/06

Bundling coils of wire or like annular objects

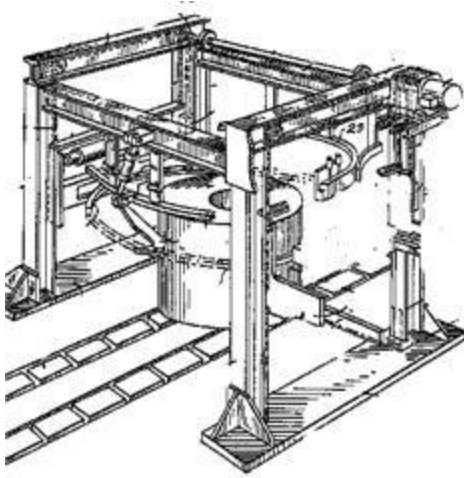
Definition statement

This place covers:

e.g. bundling of rolls of sheet metal



US5540142 Bundling through coil



US3662628 Bundling around coil

References

Informative references

Attention is drawn to the following places, which may be of interest for search:

Packaging annular articles	B65B 25/24
----------------------------	----------------------------

B65B 27/08

Bundling paper sheets, envelopes, bags, newspapers, or other thin flat articles

Definition statement

This place covers:

Bundling of banknotes

References

Informative references

Attention is drawn to the following places, which may be of interest for search:

Packaging paper or like articles	B65B 25/14
----------------------------------	----------------------------

B65B 27/10

Bundling rods, sticks, or like elongated objects

References

Informative references

Attention is drawn to the following places, which may be of interest for search:

Packaging rods, sticks or like elongated objects	B65B 19/34
--	----------------------------

B65B 27/12

Baling or bundling compressible fibrous material, e.g. peat

References

Application-oriented references

Examples of places where the subject matter of this place is covered when specially adapted, used for a particular purpose, or incorporated in a larger system:

Baling presses for straw, hay or the like	A01F 15/00
---	----------------------------

Informative references

Attention is drawn to the following places, which may be of interest for search:

Baling presses in general	B30B 9/30
---------------------------	---------------------------

Special rules of classification

Baling presses with integral bundling apparatus are classified both here and in [B30B 9/30](#).

B65B 29/00

Packaging of materials presenting special problems

Definition statement

This place covers:

Packaging tobacco in bags (snus)

References

Informative references

Attention is drawn to the following places, which may be of interest for search:

Packaging finished cigarettes, cigars and other rod-shaped articles	B65B 19/00
Manufacture or preparation of tobacco for smoking, the making of the cigarette and the making of chewing tobacco (snuff)	A24B

Special rules of classification

Documents classified in this main group should additionally be classified in the relevant subgroups of:

[B65B 3/00](#)

[B65B 9/00](#) and/or - [B65B 11/00](#)

Glossary of terms

In this place, the following terms or expressions are used with the meaning indicated:

Snus	snuff
------	-------

B65B 29/02**Packaging of substances, e.g. tea, which are intended to be infused in the package****Definition statement**

This place covers:

Procedures or methods for packaging of tea, coffee, herbs, etc. intended to be infused in the package.

References**Informative references**

Attention is drawn to the following places, which may be of interest for search:

Coffee making machines	A47J 31/00
Disposable containers that are infused, such as tea bags or coffee cartridges like Nespresso™	B65D 85/804

Glossary of terms

In this place, the following terms or expressions are used with the meaning indicated:

Capsule	a rigid package.
Filter bag	a non-rigid package having loose contents.
Pod	a non-rigid package having compressed contents and possibly rigid inserts.

B65B 29/08**Packaging of edible materials intended to be cooked in the package (infusible substances [B65B 29/02](#))****Definition statement**

This place covers:

Edible materials, i.e. in powder or liquid form.

References**Limiting references**

This place does not cover:

Packaging edible articles that are to be cooked in the package	B65B 25/22
--	----------------------------

B65B 29/10

Packaging two or more different substances isolated from one another in the package but capable of being mixed without opening the package, e.g. forming packages containing a resin and hardener isolated by a frangible partition

References

Informative references

Attention is drawn to the following places, which may be of interest for search:

Packaging two different substances not isolated from each-other	B65B 3/326 , B65B 2220/14
More component mortars	C04B 40/065
Grouting cartridges	E21D 20/023 , E21D 20/026

B65B 31/00

Packaging articles or materials under special atmospheric or gaseous conditions; Adding propellants to aerosol containers

Definition statement

This place covers:

E.g. the deaeration of packages with mechanical means (e.g. compressing package before sealing).

References

Informative references

Attention is drawn to the following places, which may be of interest for search:

Gas treatment of milk products, e.g. milk powder	A23C 3/005
Milk preparations containing gases	A23C 9/1524
Auxiliary treatments during loading or unloading of large container and the like; Loading or unloading of large containers in a fluid medium other than air	B65G 69/20

B65B 31/003

{Adding propellants in fluid form to aerosol containers (in solid form [B65B 31/10](#))}

Definition statement

This place covers:

Everything concerning the filling and refilling of aerosols.

[B65B 31/003](#) includes the filling of any liquid to an aerosol container the liquid does not specifically have to be the propellant because the propellant is implicitly added at one stage or another to the aerosol.

References

Informative references

Attention is drawn to the following places, which may be of interest for search:

Aerosol containers per se	B65D 83/14
---------------------------	----------------------------

Special rules of classification

Pressurisation by nozzle cooperating with a check valve is additionally classified in [B65B 31/047](#).

Synonyms and Keywords

In patent documents, the following words/expressions are often used as synonyms:

- "aerosol container" and "spray can"

B65B 31/006

{Adding fluids for preventing deformation of filled and closed containers or wrappers}

Definition statement

This place covers:

Fluids including cryogenic fluids.

References

Informative references

Attention is drawn to the following places, which may be of interest for search:

Package under superatmospheric pressure	B65D 81/2046
---	------------------------------

B65B 31/02

Filling, closing, or filling and closing, containers {or wrappers} in chambers maintained under vacuum or superatmospheric pressure or containing a special atmosphere, e.g. of inert gas

Definition statement

This place covers:

Evacuating, pressurising or gasifying a container or wrapper completely enclosed in a chamber.

References

Informative references

Attention is drawn to the following places, which may be of interest for search:

Skin packaging	B65B 11/52
Laminar flow cabinets	B08B 15/023
Glove boxes	B25J 21/02

B65B 31/028

{closed by a lid sealed to the upper rim of the container, e.g. tray-like container}

References**Informative references**

Attention is drawn to the following places, which may be of interest for search:

Skin packaging	B65B 11/52
----------------	----------------------------

Special rules of classification

If said lid is fed as a web to securing means, it is additionally to be classified in [B65B 7/162](#).

B65B 31/04

Evacuating, pressurising or gasifying filled containers or wrappers by means of nozzles through which air or other gas, e.g. an inert gas, is withdrawn or supplied

Definition statement

This place covers:

The element "nozzle" is important for this group; otherwise it is classified in [B65B 31/00](#)

References**Informative references**

Attention is drawn to the following places, which may be of interest for search:

Evacuating, pressurising or gasifying a container or wrapper completely enclosed in a chamber	B65B 31/02
Nozzles for introducing articles or materials into containers	B65B 39/00

B65B 31/045

{of Vertical Form-Fill-Seal [VFFS] machines}

Special rules of classification

Additional aspects of vertical form fill seal (VFFS) machines are classified in the relevant subgroups of [B65B 9/20](#)

B65B 31/046

{the nozzles co-operating, or being combined, with a device for opening or closing the container or wrapper ([B65B 31/06](#) takes precedence)}

Definition statement

This place covers:

Bag evacuating and sealing apparatus devices whereby only a part of the bag is enclosed in the apparatus.

B65B 31/047

{the nozzles co-operating with a check valve in the opening of the container or wrapper}

Definition statement

This place covers:

E.g. nozzles co-operating with the valve of an aerosol.

References**Informative references**

Attention is drawn to the following places, which may be of interest for search:

Pumps	F04B
-------	----------------------

B65B 31/06

the nozzle being arranged for insertion into, and withdrawal from, the mouth of a filled container and operating in conjunction with means for sealing the container mouth

Special rules of classification

The details of sealing means are additionally classified in [B65B 51/00](#).

B65B 31/10

Adding propellants in solid form to aerosol containers

References**Informative references**

Attention is drawn to the following places, which may be of interest for search:

Adding propellants in liquid form	B65B 31/003
Aerosol containers per se	B65D 83/14

Synonyms and Keywords

In patent documents, the following words/expressions are often used as synonyms:

- "aerosol container" and "spray can"

B65B 33/00

Packaging articles by applying removable, e.g. strippable, coatings
([B65B 11/52](#) takes precedence)

References**Limiting references**

This place does not cover:

Enclosing by disclosing contents between two sheets, one sheet being rendered plastic	B65B 11/52
---	----------------------------

Informative references

Attention is drawn to the following places, which may be of interest for search:

Applying liquids or other fluent materials to surfaces in general	B05
Lining or sheating with plastic foil, e.g. phones	B29C 63/02
Wrapping cores by winding	B65H 81/00
Applying wax to closed wine bottles	B67B 5/05
Coating compositions	C09D 5/20

B65B 35/00

Supplying, feeding, arranging or orientating articles to be packaged

Definition statement

This place covers:

Supplying articles that are to be packaged

References**Application-oriented references**

Examples of places where the subject matter of this place is covered when specially adapted, used for a particular purpose, or incorporated in a larger system:

Cigarettes	B65B 19/04
Bottles	B65B 21/04
Eggs	B65B 23/06
Biscuits	B65B 23/12

Informative references

Attention is drawn to the following places, which may be of interest for search:

Supplying powders or liquids to be packaged	B65B 37/00
Supplying, feeding containers to the filling position	B65B 43/42
Adjustable conveying means	B65B 59/005
If not restricted to packaging machines	B07C , B65G , B65H

B65B 35/08**using pocketed conveyors****References*****Informative references***

Attention is drawn to the following places, which may be of interest for search:

Devices for arranging articles or materials during feeding (rotating platform)	B65B 43/60
Separating single articles from loose masses of articles in general and not limited to packaging	B65G 47/1407

B65B 35/10**Feeding, e.g. conveying, single articles****References*****Informative references***

Attention is drawn to the following places, which may be of interest for search:

Orientating	B65B 35/56
-------------	----------------------------

B65B 35/30**Arranging and feeding articles in groups****References*****Informative references***

Attention is drawn to the following places, which may be of interest for search:

Orientating	B65B 35/56
-------------	----------------------------

B65B 35/50**Stacking one article, or group of articles, upon another before packaging****References*****Limiting references***

This place does not cover:

Stacking one article or groups of articles upon another directly in the packaging container	B65B 5/10
---	---------------------------

Informative references

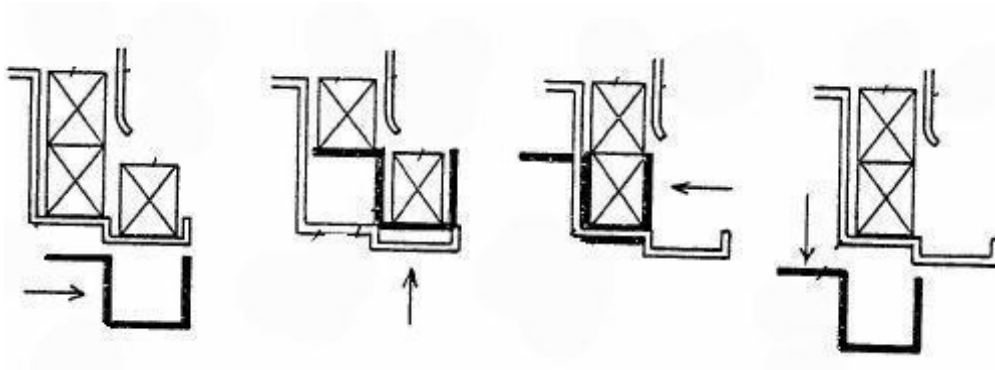
Attention is drawn to the following places, which may be of interest for search:

Stacking, not in conjunction with subsequent wrapping	B65G 57/00
Special features of the stacking apparatus	B65G 57/00

B65B 35/52**building-up the stack from the bottom****Definition statement**

This place covers:

Building a stack from the bottom, by adding objects to the bottom of the stack.



GB616902

References**Informative references**

Attention is drawn to the following places, which may be of interest for search:

Stacking from below, not in conjunction with wrapping	B65G 57/30
Special features of the stacking apparatus	B65G 57/30

B65B 35/54**Feeding articles along multiple paths to a single packaging position****References****Informative references**

Attention is drawn to the following places, which may be of interest for search:

Multiple parallel packaging lines	B65B 65/006
Plurality of alternative input or output lines for improving machine flexibility	B65B 2210/02
Conveying from one conveyor to many conveyors and vice versa	B65G 47/68

B65B 35/56

Orientating, i.e. changing the attitude of, articles, e.g. of non-uniform cross-section

Definition statement

This place covers:

Orientation in a passive way

References**Informative references**

Attention is drawn to the following places, which may be of interest for search:

Devices for arranging articles or materials during feeding (rotating platform)	B65B 43/60
--	----------------------------

B65B 35/58

Turning articles by positively-acting means, e.g. to present labelled portions in uppermost position

Definition statement

This place covers:

Orientation in an active way

References**Informative references**

Attention is drawn to the following places, which may be of interest for search:

Devices for presenting articles in predetermined attitude or position at the labelling station, e.g. to receive the label	B65C 9/06
---	---------------------------

B65B 37/00

Supplying or feeding fluent-solid, plastic, or liquid material, or loose masses of small articles, to be packaged (methods of, or means for, filling individual containers with such materials or articles [B65B 1/04](#), [B65B 3/04](#))

Definition statement

This place covers:

Supplying powders or liquids that are to be packaged

References**Informative references**

Attention is drawn to the following places, which may be of interest for search:

Supplying articles	B65B 35/00
Silos	B65D 88/68

Emptying silos	B65G 65/48
----------------	----------------------------

B65B 37/10

of screw type

References

Informative references

Attention is drawn to the following places, which may be of interest for search:

Methods or means for filling the material into containers or receptacles by screw type rotary feeders	B65B 1/12
---	---------------------------

B65B 37/18

by weighing {(devices or methods for controlling the quantity of material or liquid fed or filled into a container by weighing [B65B 1/32](#), [B65B 3/28](#))}

References

Limiting references

This place does not cover:

Devices or methods for controlling the quantity of material or liquid fed or filled into a container by weighing	B65B 1/32 , B65B 3/28
--	---

Informative references

Attention is drawn to the following places, which may be of interest for search:

Weighing in general	G01G
---------------------	----------------------

B65B 37/20

by volume measurement

References

Informative references

Attention is drawn to the following places, which may be of interest for search:

Devices or methods for controlling the quantity of material or liquid fed or filled into a container by volume measurement	B65B 1/36 , B65B 3/30
Volume measurement in general	G01F

B65B 39/00**Nozzles, funnels or guides for introducing articles or materials into containers or wrappers****References****Informative references**

Attention is drawn to the following places, which may be of interest for search:

Sterilising or cleaning machinery or conduits	B65B 2210/06
Funnels for coffee mills	A47J 42/50
Nozzles in general	B05B
Fuel tank nozzles	B60K 15/03
Funnels in general	B67C 11/00

Special rules of classification

The following features are additionally classified in the following places:

Strainer means [B65B 2039/008](#)

Multiple outlets [B65B 2039/009](#)

Cleaning arrangements [B65B 2210/08](#) .

B65B 39/001

{with flow cut-off means, e.g. valves}

References**Limiting references**

This place does not cover:

Nozzles with flow cut-off means contained in bottling machines	B67C 3/28
--	---------------------------

B65B 39/007

{Guides or funnels for introducing articles into containers or wrappers}

References**Informative references**

Attention is drawn to the following places, which may be of interest for search:

Filling individual containers with articles with article support means temporarily arranged in the container	B65B 5/108
--	----------------------------

B65B 41/00**Supplying or feeding container-forming sheets or wrapping material****References****Informative references**

Attention is drawn to the following places, which may be of interest for search:

Making of bags	B31B
Supplying or feeding sheet-like material in general	B65H 1/00 - B65H 47/00

B65B 41/12**Feeding webs from rolls****References****Informative references**

Attention is drawn to the following places, which may be of interest for search:

Changing the rolls	B65H
--------------------	----------------------

B65B 41/18**Registering sheets, blanks, or webs****Definition statement**

This place covers:

The recognition of marks on the web and the control of the web-feed based on the mark.

References**Informative references**

Attention is drawn to the following places, which may be of interest for search:

Controlling web feed	B65B 57/04
Controlling transverse register of web	B65H 23/032

B65B 43/00

Forming, feeding, opening or setting-up containers or receptacles in association with packaging (forming pockets in sheets, blanks or webs, by pressing the material into forming dies or moving it through folding dies [B65B 47/00](#))

Special rules of classification

The making of bags and the making and setting up boxes are additionally classified in the relevant subgroups of [B31B](#).

B65B 43/02**Forming flat bags from individual sheets or blanks****References****Limiting references***This place does not cover:*

Making the bags just before filling them, e.g. on the same machine	B65B 1/02 , B65B 3/02 , B65B 5/022
--	---

Informative references*Attention is drawn to the following places, which may be of interest for search:*

Forming flat bags from individual sheets or blanks independently from packaging operations see	B65B , B31B 70/00 , B31B 2150/00
--	---

B65B 43/04**Forming flat bags from webs****References****Limiting references***This place does not cover:*

Making the bags just before filling them, e.g. on the same machine	B65B 1/02 , B65B 3/02 , B65B 5/022
--	---

Informative references*Attention is drawn to the following places, which may be of interest for search:*

Forming flat bags from webs independently from packaging operations see	B31B , B31B 70/00 , B31B 2155/00
Details of filled bags connected together	B65D 33/008

B65B 43/06**from more than one web****References****Informative references***Attention is drawn to the following places, which may be of interest for search:*

Forming flat bags by joining superimposed webs independently from packaging operations see	B31B , B31B 70/00 , B31B 2155/002
--	--

B65B 43/08**Forming three-dimensional containers from sheet material****References****Informative references**

Attention is drawn to the following places, which may be of interest for search:

Making containers independently from packaging operations see the relevant groups of	B31B and its Indexing Codes
--	---

B65B 43/123**{Feeding flat bags connected to form a series or chain}****References****Informative references**

Attention is drawn to the following places, which may be of interest for search:

Details of bags	B65D 33/00
-----------------	----------------------------

B65B 43/126**{Feeding carton blanks in flat or collapsed state}****Definition statement**

This place covers:

Mostly stacks of carton blanks

B65B 43/14**Feeding individual bags or carton blanks from piles or magazines****References****Application-oriented references**

Examples of places where the subject matter of this place is covered when specially adapted, used for a particular purpose, or incorporated in a larger system:

Shopping bag or carton-dispensing systems specifically adapted for check-out counters	A47F 9/042
Shopping bag or paper bag holders for shops	A47F 13/08

Informative references

Attention is drawn to the following places, which may be of interest for search:

Separating thin articles from piles in general	B65H 3/00
--	---------------------------

B65B 43/24**Breaking creases to facilitate setting-up cartons****Relationships with other classification places**

Prebreaking of creases	B31B , B31B 50/002
------------------------	--

B65B 43/26**Opening or distending bags; Opening, erecting, or setting-up boxes, cartons, or carton blanks****References****Informative references***Attention is drawn to the following places, which may be of interest for search:*

Opening bags or boxes independently of packaging operations	B31B , B31B 50/76 , B31B 70/003
---	--

B65B 43/262**{opening of valve bags}****References****Informative references***Attention is drawn to the following places, which may be of interest for search:*

Filling of valve bags	B65B 1/16 , B65B 3/17
-----------------------	---

B65B 43/36**applied pneumatically****Definition statement***This place covers:*

I.e. opening bags with air jets

B65B 45/00**Apparatus or devices for supporting or holding wrappers during wrapping operation****References****Informative references***Attention is drawn to the following places, which may be of interest for search:*

Filling nozzles, funnels, guides	B65B 39/00
----------------------------------	----------------------------

B65B 47/00

Apparatus or devices for forming pockets or receptacles in or from sheets, blanks, or webs, comprising essentially a die into which the material is pressed or a folding die through which the material is moved

References**Informative references**

Attention is drawn to the following places, which may be of interest for search:

Presses in general	B30B
--------------------	----------------------

B65B 49/00

Devices for folding or bending wrappers around contents

Special rules of classification

The wrapping operation is additionally classified in [B65B 11/00](#)

B65B 51/00

Devices for, or methods of, sealing or securing package folds or closures;
Devices for gathering or twisting wrappers, or necks of bags

References**Limiting references**

This place does not cover:

Twisting wrappers in combination with wrapping in sheets of flexible material along predefined paths	B65B 11/14 , B65B 11/16 , B65B 11/24 , B65B 11/26 , B65B 11/34 , B65B 11/36 , B65B 11/44 , B65B 11/46
--	--

Informative references

Attention is drawn to the following places, which may be of interest for search:

Closing containers after filling	B65B 7/00
----------------------------------	---------------------------

B65B 51/02

Applying adhesives or sealing liquids

References**Informative references**

Attention is drawn to the following places, which may be of interest for search:

Activating adhesives by applying heat or pressure	B65B 51/10
Glues in general	B05C
Applying adhesives for joining preformed parts	B29C 65/52

B65B 51/04

Applying separate sealing or securing members, e.g. clips, (applying separate lids or covers [B65B 7/28](#))

References**Limiting references**

This place does not cover:

Applying separate closure clips on sausages	A22C 11/0227 , A22C 11/125
---	---

B65B 51/043

{Applying springy clips around bag necks}

Definition statement

This place covers:

e.g. applying clips around bread bags

B65B 51/06

Applying adhesive tape

References**Informative references**

Attention is drawn to the following places, which may be of interest for search:

Adhesive tape dispensers	B65H 35/0006
--------------------------	------------------------------

B65B 51/065

{to the necks of bags}

References**Informative references**

Attention is drawn to the following places, which may be of interest for search:

Manually operable apparatus for closing bag necks	B65B 67/06
---	----------------------------

B65B 51/10

Applying or generating heat or pressure or combinations thereof {(welding of plastics per se [B29C 65/02](#); closing plastic tube ends in general [B29C 57/10](#))}

References**Informative references**

Attention is drawn to the following places, which may be of interest for search:

Closing plastic tube ends in general	B29C 57/10
Joining plastics by heating in general	B29C 65/02

Special rules of classification

Heat seal temperature control is additionally classified in [B65B 2051/105](#).

B65B 2051/105

{Heat seal temperature control}

References**Informative references**

Attention is drawn to the following places, which may be of interest for search:

Heat-seal temperature control in general	B29C 66/91
--	----------------------------

B65B 51/14

by reciprocating or oscillating members ([B65B 51/148](#) takes precedence)

References**Informative references**

Attention is drawn to the following places, which may be of interest for search:

Joining tools reciprocating along only one axis	B29C 66/832
---	-----------------------------

B65B 51/144

{Closing paperboard containers}

Definition statement

This place covers:

The closing of the typical TETRA PAK container.

B65B 51/148**{Hand-operated members}****References*****Informative references****Attention is drawn to the following places, which may be of interest for search:*

Joining tools of hand held type	B29C 66/861
---------------------------------	-----------------------------

B65B 51/16**by rotary members****References*****Informative references****Attention is drawn to the following places, which may be of interest for search:*

Joining tools moving with the material to be joined	B29C 66/834
---	-----------------------------

B65B 51/18**by endless bands or chains****References*****Informative references****Attention is drawn to the following places, which may be of interest for search:*

Joining tools moving with the material to be joined	B29C 66/834
Joining tools of band or belt type	B29C 66/83421

B65B 51/20**by fluid pressure acting directly on folds or on opposed surfaces, e.g. using hot-air jets (shrinking wrappers by heating [B65B 53/02](#))****References*****Informative references****Attention is drawn to the following places, which may be of interest for search:*

Details of joining tools	B29C 65/10
--------------------------	----------------------------

B65B 51/22

by friction or ultrasonic or high-frequency electrical means {, i.e. by friction or ultrasonic or induction welding}

Definition statement

This place covers:

Welding by laser for sealing or securing package closures.

References**Informative references**

Attention is drawn to the following places, which may be of interest for search:

Sonotrodes	B23K 20/00
------------	----------------------------

B65B 51/222

{by friction welding}

References**Informative references**

Attention is drawn to the following places, which may be of interest for search:

Details of friction sealing tools	B29C 65/06
-----------------------------------	----------------------------

B65B 51/225

{by ultrasonic welding}

References**Informative references**

Attention is drawn to the following places, which may be of interest for search:

Details of ultrasonic sealing tools	B29C 65/08
-------------------------------------	----------------------------

B65B 51/227

{by induction welding}

References**Informative references**

Attention is drawn to the following places, which may be of interest for search:

Details of induction sealing tools	B29C 65/36
------------------------------------	----------------------------

B65B 51/24

to produce bead seals (combined with severing by heated wires or rods
[B65B 61/10](#))

References**Informative references**

Attention is drawn to the following places, which may be of interest for search:

Single flanged edge joints	B29C 66/137
----------------------------	-----------------------------

B65B 51/26

Devices specially adapted for producing transverse or longitudinal seams in webs or tubes

Special rules of classification

Documents classified here are additionally classified in groups [B65B 2220/08](#), [B65B 2220/10](#) or [B65B 2220/12](#), provided they apply.

B65B 51/28

Rollers for producing longitudinal and transverse seams simultaneously

References**Informative references**

Attention is drawn to the following places, which may be of interest for search:

Making flat seams in tubular articles in general	B29C 66/4312
Joining tools moving with the material to be joined of roller/cylinder type	B29C 66/83411
Joining tools of jaw type mounted on rollers/cylinders	B29C 66/83511

B65B 51/30

Devices, e.g. jaws, for applying pressure and heat, e.g. for subdividing filled tubes

References**Informative references**

Attention is drawn to the following places, which may be of interest for search:

For subdividing filled tubes involving displacement of contents	B65B 9/12
Details of heated tools	B29C 65/18
Making flat seams in tubular articles in general	B29C 66/4312

B65B 51/303**{reciprocating along only one axis}****Definition statement***This place covers:*

devices moving according to box-motion.

References**Informative references***Attention is drawn to the following places, which may be of interest for search:*

Joining tools reciprocating along only one axis	B29C 66/832
---	-----------------------------

B65B 51/306**{Counter-rotating devices}****Definition statement***This place covers:*

counter rotating devices along circular, oval or other paths

References**Informative references***Attention is drawn to the following places, which may be of interest for search:*

Joining tools moving with the material to be joined	B29C 66/834
---	-----------------------------

B65B 51/32**Cooling, or cooling and pressing, package closures after heat-sealing****References****Informative references***Attention is drawn to the following places, which may be of interest for search:*

Cooling articles to be packaged	B65B 63/08
Cooling joints after joining thermoplastics in general	B29C 66/0342

B65B 53/00**Shrinking wrappers, containers, or container covers during or after packaging****References****Informative references***Attention is drawn to the following places, which may be of interest for search:*

Bundles of articles in shrink foil	B65D 71/08
------------------------------------	----------------------------

Articles in shrink foil	B65D 75/002
-------------------------	-----------------------------

B65B 55/00

Preserving, protecting or purifying packages or package contents in association with packaging (by packaging under special atmospheric or gaseous conditions [B65B 31/00](#); devices for placing protecting sheets, plugs, or wads over contents [B65B 61/22](#))

References

Limiting references

This place does not cover:

By packaging under special atmospheric or gaseous conditions	B65B 31/00
Devices for placing protecting sheets, plugs, or wads over contents	B65B 61/22

Informative references

Attention is drawn to the following places, which may be of interest for search:

Sterilising foodstuffs or beverages in general	A23L
Preserving, protecting or purifying in general (i.e. sterilising)	A61L
Apparatus for cleaning or sterilizing or needles	A61M 5/001
Preserving alcoholic beverages	C12H 1/00

B65B 55/02

Sterilising, e.g. of complete packages

Definition statement

This place covers:

Sterilising of complete and incomplete packages

B65B 55/025

{Packaging in aseptic tunnels}

References

Limiting references

This place does not cover:

Aseptic filling of bottles	B67C 7/0073
----------------------------	-----------------------------

B65B 55/027**{Packaging in aseptic chambers}****References****Limiting references***This place does not cover:*

Aseptic filling of bottles	B67C 7/0073
----------------------------	-----------------------------

Informative references*Attention is drawn to the following places, which may be of interest for search:*

Laminar flow cabinets	B08B 15/023
Clean rooms with manipulators	B25J 21/005
Clean rooms in general	F24F 3/161

B65B 55/04**Sterilising wrappers or receptacles prior to, or during, packaging {(sterilising bottles [B67C 7/00](#))}****Definition statement***This place covers:*

Sterilising wrappers, or receptacles such as bags, cartons, cups, etc. Also sterilising of bottles as long as the sterilisation does not take place in combination with filling and/or closing of bottles.

References**Limiting references***This place does not cover:*

Sterilising of bottles in combination with filling and/or closing of bottles, specially the mechanical details, e.g. conveying means, bottle carrying means, etc, and/or the combination with some form of subsequent process in a bottle filling line	B67C 7/00
--	---------------------------

Informative references*Attention is drawn to the following places, which may be of interest for search:*

The sterilising of bottles which mainly concerns the sterilizing media, processes, treatment and the like	A61L , A61L 2202/23
---	---

B65B 55/06**by heat****References****Informative references***Attention is drawn to the following places, which may be of interest for search:*

Details of the sterilising apparatus	A61L 2/04
--------------------------------------	---------------------------

B65B 55/08**by irradiation****References****Informative references***Attention is drawn to the following places, which may be of interest for search:*

Details of the sterilising apparatus	A61L 2/08
--------------------------------------	---------------------------

B65B 55/10**by liquids or gases****References****Informative references***Attention is drawn to the following places, which may be of interest for search:*

Sterilisation in general by liquids	A61L 2/18
Sterilisation in general by gases	A61L 2/20

B65B 55/18**by liquids or gases ([B65B 55/14](#) takes precedence)****References****Informative references***Attention is drawn to the following places, which may be of interest for search:*

Sterilisation in general by liquids	A61L 2/18
Sterilisation in general by gases	A61L 2/20

B65B 55/19

by adding materials intended to remove free oxygen or to develop inhibitor gases, e.g. vapour phase inhibitors

References**Informative references**

Attention is drawn to the following places, which may be of interest for search:

Adding desiccant to the package, see also	B65B 25/001 , B65B 25/041 , B65B 25/064 , B65B 61/20
---	--

B65B 55/20

Embedding contents in shock-absorbing media, e.g. plastic foam, granular material

References**Limiting references**

This place does not cover:

Embedding material applied only over contents	B65B 61/22
---	----------------------------

Informative references

Attention is drawn to the following places, which may be of interest for search:

Making cushion pads or dunnage products from paper or film	B31D 5/0039
--	-----------------------------

B65B 55/22

Immersing contents in protective liquids

References**Informative references**

Attention is drawn to the following places, which may be of interest for search:

Packaging of contact lenses	B65B 25/008
-----------------------------	-----------------------------

B65B 55/24

Cleaning of, or removing dust from, containers, wrappers, or packaging {;
Preventing of fouling}

References**Informative references**

Attention is drawn to the following places, which may be of interest for search:

Cleaning machinery or conduits if highly related to packaging	B65B 2210/06
---	------------------------------

Cleaning machinery or conduits in general	B08B
---	----------------------

B65B 57/00

Automatic control, checking, warning, or safety devices (registering wrapping or container-forming material fed from rolls [B65B 41/18](#))

References

Limiting references

This place does not cover:

Registering wrapping or container-forming material	B65B 41/18
--	----------------------------

Informative references

Attention is drawn to the following places, which may be of interest for search:

Accident-prevention measures applicable for general use	F16P
Check of leak tightness	G01M 3/36
Check of material	G01N
Job scheduling, system modularity, factory control, machine resources, "recipe handling"	G05B 19/00
Photoelectric cells	H01J , H01L

B65B 57/10

responsive to absence, presence, abnormal feed, or misplacement of articles or materials to be packaged

References

Application-oriented references

Examples of places where the subject matter of this place is covered when specially adapted, used for a particular purpose, or incorporated in a larger system:

Checking correctness of packaged medicine such as tablets, capsules, or the like, with optical means	G01N 21/9508
--	------------------------------

B65B 57/20

Applications of counting devices for controlling the feed of articles (other applications [B65B 65/08](#))

References

Informative references

Attention is drawn to the following places, which may be of interest for search:

Counting the number of articles fed/produced without controlling the feed of articles	B65B 65/08
---	----------------------------

B65B 59/00

Arrangements to enable machines to handle articles of different sizes, to produce packages of different sizes, to vary the contents of packages or to give access for cleaning or maintenance purposes

Special rules of classification

The classification [B65B 59/00](#) is allocated in addition to a classification in one of its subgroups, if the aspect of adjustment is related to the handling or production of different sized articles

Documents classified here are additionally classified in the indexing code [B65B 2210/04](#) if relating to customised on-demand packaging.

Machines for packaging articles of different sizes wherein the machine does not undergo any active adjustment are not classified here.

B65B 59/02

Arrangements to enable adjustments to be made while the machine is running

References

Informative references

Attention is drawn to the following places, which may be of interest for search:

Weight or volumetric adjustment of material to be packaged into an individual container	B65B 1/30 , B65B 3/26
---	---

B65B 59/04

Machines constructed with readily-detachable units or assemblies, e.g. to facilitate maintenance

Definition statement

This place covers:

E.g. modular machines

B65B 61/00

Auxiliary devices, not otherwise provided for, for operating on sheets, blanks, webs, binding material, containers or packages

Definition statement

This place covers:

devices and methods operating on the packaging material that are not covered by any other of the [B65B](#) main groups.

References

Informative references

Attention is drawn to the following places, which may be of interest for search:

Miscellaneous auxiliary devices operating on articles or materials to be packaged and not otherwise provided for	B65B 63/00
Operations on sheets webs and blanks without a packaging operation taking place	B31B
Attaching accessories to blanks, webs, bags or boxes independently from packaging operations see the Indexing Codes of	B31B 50/81 , B31B 70/81

B65B 61/005

{for removing material by cutting}

References

Limiting references

This place does not cover:

Removing packaging material to unpack articles or materials	B65B 69/0025 , B65B 69/0033
---	--

Informative references

Attention is drawn to the following places, which may be of interest for search:

Removing waste material in combination with welding plastic material	B29C 65/749
--	-----------------------------

B65B 61/007

{Perforating strips of completed packages}

References

Limiting references

This place does not cover:

Perforating material prior to packaging	B65B 61/02
Severing/separating joined packages	B65B 61/04

B65B 61/02

for perforating, scoring {, slitting,} or applying code or date marks on material prior to packaging {(scoring ampoules [B65B 3/006](#))}

References

Limiting references

This place does not cover:

Making holes on films by laser beams, e.g. for vegetables	B23K 26/00
---	----------------------------

Glossary of terms

In this place, the following terms or expressions are used with the meaning indicated:

Scoring	weakening material
---------	--------------------

B65B 61/025

{for applying, e.g. printing, code or date marks on material prior to packaging}

Definition statement

This place covers:

Applying marks on material prior to and during packaging, e.g. during heat sealing.

References**Limiting references**

This place does not cover:

Printing onto bottles	B41J 3/4073
-----------------------	-----------------------------

Informative references

Attention is drawn to the following places, which may be of interest for search:

Marking or coding articles prior to packaging	B65B 63/005
Labelling and printing of labels	B65C

B65B 61/04

for severing webs, or for separating joined packages

References**Limiting references**

This place does not cover:

Perforating strips of completed packages	B65B 61/007
--	-----------------------------

B65B 61/06

by cutting

Definition statement

This place covers:

e.g. cutting by laser

References**Informative references**

Attention is drawn to the following places, which may be of interest for search:

Cutting webs along their longitudinal direction	B65B 2220/16
---	------------------------------

B65B 61/065**{by punching out}****References****Informative references***Attention is drawn to the following places, which may be of interest for search:*

Driving gear herefor	B65B 65/02
----------------------	----------------------------

B65B 61/182**{by applying tear-strips or tear-tapes}****References****Informative references***Attention is drawn to the following places, which may be of interest for search:*

Applying tear strips or strings during the manufacture of boxes or bags see	B31B , B31B 50/812 , B31B 70/812
Packages comprising tear strips/tapes	B65D 75/66 , B65D 75/68

B65B 61/184**{by applying tabs over discharge openings, e.g. over discharge openings defined by tear or score lines}****References****Informative references***Attention is drawn to the following places, which may be of interest for search:*

Applying closure elements to bags or boxes independently from the packaging operations see	B31B , B31B 50/814 , B31B 70/813
---	---

B65B 61/186**{by applying or incorporating rigid fittings, e.g. discharge spouts}****References****Application-oriented references***Examples of places where the subject matter of this place is covered when specially adapted, used for a particular purpose, or incorporated in a larger system:*

Attaching spouts to metal containers such as cans, tins or bottles	B21D 51/42
--	----------------------------

Informative references

Attention is drawn to the following places, which may be of interest for search:

Applying spouts to boxes or bags independently from the packaging operations	B31B , B31B 50/84 , B31B 70/84
--	---

B65B 61/188

{by applying or incorporating profile-strips, e.g. for reclosable bags}

References**Informative references**

Attention is drawn to the following places, which may be of interest for search:

Slide fastener details	A44B 19/00
Making bags having interengaging profile strips in general, i.e. independently from the packaging operation	B31B , B31B 70/8131

B65B 61/20

for adding cards, coupons or other inserts to package contents (adding unpacking elements [B65B 61/18](#))

References**Limiting references**

This place does not cover:

Adding unpacking elements	B65B 61/18
---------------------------	----------------------------

Informative references

Attention is drawn to the following places, which may be of interest for search:

Attaching articles to cards, sheets or other carriers	B65B 15/00
Adding desiccant to the package, see also	B65B 25/001 , B65B 25/041 , B65B 25/064 , B65B 55/19
Devices for inserting documents into envelopes	B43M 3/00
Labelling	B65C
Adding insertions between pallet layers	B65G 57/005

B65B 61/22

for placing protecting sheets, plugs, or wads over contents, e.g. cotton-wool in bottles of pills

References**Limiting references**

This place does not cover:

Embedding contents in shock absorbing media	B65B 55/20
---	----------------------------

B65B 61/24

for shaping or reshaping completed packages

Definition statement

This place covers:

e.g. completely closed packages.

References**Informative references**

Attention is drawn to the following places, which may be of interest for search:

Shaping not yet completed packages on form fill seal (FFS)	B65B 9/2049
--	-----------------------------

B65B 61/26

for marking or coding completed packages

References**Informative references**

Attention is drawn to the following places, which may be of interest for search:

Printing in general	B41J , B41F
Coding by applying a label (labelling)	B65C
Advertisement	G06Q 30/0241

B65B 63/00

Auxiliary devices, not otherwise provided for, for operating on articles or materials to be packaged

Definition statement

This place covers:

All devices and methods operating on the article/material to be packaged that are not covered by any other of the [B65B](#) main groups.

References

Informative references

Attention is drawn to the following places, which may be of interest for search:

Miscellaneous auxiliary devices operating on sheets, blanks, webs, binding material, or packages, and not otherwise provided for	B65B 61/00
--	----------------------------

B65B 63/005

{for marking or coding articles prior to packaging}

References

Informative references

Attention is drawn to the following places, which may be of interest for search:

Applying code or date marks on packaging material prior to packaging	B65B 61/025
--	-----------------------------

B65B 63/02

for compressing or compacting articles or materials prior to wrapping or insertion in containers or receptacles

References

Informative references

Attention is drawn to the following places, which may be of interest for search:

For compressing an article in a package in order to remove air from the package (deaerating) see	B65B 31/00
Presses for tableting or compressing of powders	B30B 11/00

B65B 63/026

{for compressing by feeding articles through a narrowing space}

Definition statement

This place covers:

E.g. feeding through converging belts.

B65B 63/04

for folding or winding articles, e.g. gloves or stockings

References

Informative references

Attention is drawn to the following places, which may be of interest for search:

Folding or winding webs or filamentary material in general	B65H 45/00 , B65H 54/00
Folding textile articles not in connection with packaging	D06F 89/00

B65B 63/045**{for folding garments, e.g. stockings, shirts}****Definition statement***This place covers:*

Packaging garments in combination with folding.

References**Informative references***Attention is drawn to the following places, which may be of interest for search:*

Packaging folded articles other than garments	B65B 25/20
Folding of garments without packaging	D06F 89/00

B65B 63/08**for heating or cooling articles or materials to facilitate packaging****References****Informative references***Attention is drawn to the following places, which may be of interest for search:*

Cooling package closures after heat sealing	B65B 51/32
---	----------------------------

B65B 65/00**Details peculiar to packaging machines and not otherwise provided for;
Arrangements of such details****Definition statement***This place covers:*All details of the packaging machine that are not covered by any other of the [B65B](#) main groups.**B65B 65/003****{Packaging lines, e.g. general layout}****Definition statement***This place covers:*

Packaging lines of special shape, space reducing layouts, etc.

B65B 65/006**{Multiple parallel packaging lines}****References****Informative references***Attention is drawn to the following places, which may be of interest for search:*

Feeding articles along multiple lines to single packaging position	B65B 35/54
Plurality of alternative input or output or alternative packaging units	B65B 2210/02
Related to sealing plastic material	B29C 66/8432

B65B 65/02**Driving gear****References****Informative references***Attention is drawn to the following places, which may be of interest for search:*

Drives for cutting stations	B26D 5/08 , B26F 1/40
Drives for thermoforming stations	B29C 33/20 , B29C 45/64 , B29C 51/38
Drives for sealing stations for joining plastics	B29C 66/822
Presses in general	B30B

B65B 65/06**coated or treated with anti-friction or anti-sticking materials, e.g. polytetrafluoroethylene****Definition statement***This place covers:*

treating with a anti-friction material as well as with a friction enhancing material

B65B 65/08**Devices for counting or registering the number of articles handled, or the number of packages produced by the machine****References****Application-oriented references***Examples of places where the subject matter of this place is covered when specially adapted, used for a particular purpose, or incorporated in a larger system:*

Counting, sorting and wrapping coins	G07D 9/00 , G07D 9/065
--------------------------------------	--

References out of a residual place

Examples of places in relation to which this place is residual:

Controlling the number of articles fed by counting them	B65B 57/20
---	----------------------------

Informative references

Attention is drawn to the following places, which may be of interest for search:

Counting in general	G06M
---------------------	----------------------

B65B 67/00**Apparatus or devices facilitating manual packaging operations; Sack holders****Definition statement**

This place covers:

Manual packaging operations as well as sack holders for both manual and automatic packaging operations.

B65B 67/06**Manually-operable devices for closing bag necks, by applying and securing lengths of string, wire or tape****References****Informative references**

Attention is drawn to the following places, which may be of interest for search:

Devices for closing bag necks	B65B 51/065
-------------------------------	-----------------------------

B65B 67/08**Wrapping of articles****References****Informative references**

Attention is drawn to the following places, which may be of interest for search:

Manual strapping of articles	B65B 13/025
------------------------------	-----------------------------

B65B 67/085

{using hand-held dispensers for stretch films}

References**Informative references**

Attention is drawn to the following places, which may be of interest for search:

Constructional details of packaging material holders for coiled, wound or folded material	B65H 75/04
---	----------------------------

B65B 67/12

Sack holders, i.e. stands or frames with means for supporting sacks in the open condition to facilitate filling with articles or materials {(nozzles, funnels or guides adapted to support sacks [B65B 39/06](#))}

References**Limiting references**

This place does not cover:

Nozzles, funnels or guides adapted to support sacks	B65B 39/06
---	----------------------------

Informative references

Attention is drawn to the following places, which may be of interest for search:

Sack holders on hand carts	B62B 1/266 , B62B 3/106
Refuse receptacles	B65F 1/00
Laundry bags and supports	D06F 95/004

B65B 67/1244

{characterised by mechanisms for temporarily closing the mouth of the sack, e.g. pedal-operated ([B65B 67/1211](#), [B65B 67/1255](#) take precedence; final closing or sealing of sacks [B65B 7/02](#), [B65B 51/00](#))}

References**Informative references**

Attention is drawn to the following places, which may be of interest for search:

Means for gathering, closing or sealing sacks	B65B 2067/1283
---	--------------------------------

B65B 67/1266**{specially adapted for storing or dispensing sacks from a supply}****References****Informative references***Attention is drawn to the following places, which may be of interest for search:*

Shopping bag holders on check-out counters	A47F 9/042
Shopping bag holders per se, not in combination with means for supporting bag in open condition	A47F 13/085
Refuse receptacles with spare bags	B65F 1/062

B65B 67/1277**{for dispensing flexible tubular material gathered up in the shape of a ring}****References****Informative references***Attention is drawn to the following places, which may be of interest for search:*

Preformed tubular webs stored on filling nozzles	B65B 9/15 , B65B 9/18
Refuse receptacles with means for storing bags	B65F 1/062

B65B 2067/1283**{Means for gathering, closing or sealing the sacks}****References****Informative references***Attention is drawn to the following places, which may be of interest for search:*

Refuse receptacles with sealing means	B65F 2210/167
---------------------------------------	-------------------------------

B65B 69/00**Unpacking of articles or materials, not otherwise provided for****References****References out of a residual place***Examples of places in relation to which this place is residual:*

Unpacking bottles	B65B 21/00
Containers for transporting blister-packs comprising means for dispensing articles, e.g. tablets therefrom	B65D 83/0463
Hand or power-operated devices not attached to, or not incorporated in, containers or container closures for opening closed containers such as bottles, jars, cans and similar containers	B67B 7/00

Informative references

Attention is drawn to the following places, which may be of interest for search:

Inhalators comprising devices for breaking, piercing or cutting capsules	A61M 15/003
Separating waste/refuse	B03B 9/06
Destroying/transforming solid waste; Removing gases or liquids from discarded articles, e.g. aerosols	B09B 3/00 , B09B 3/0058
Devices for opening envelopes	B43M 7/00

B65B 69/0025

{Removing or cutting binding material, e.g. straps or bands}

References**Informative references**

Attention is drawn to the following places, which may be of interest for search:

Hand held metal wire cutters for shearing metal wire	B23D 29/023
Hand held cutting tools	B26B 17/00 , B26B 27/00

B65B 69/0033

{by cutting ([B65B 69/0008](#)-[B65B 69/0025](#) take precedence)}

Definition statement

This place covers:

The cutting open of boxes with power-operated devices.

Cutting open of bags, wrappers, and coin wrappers, apart from hand-operated devices covered by [B67B 7/30](#).

References**Limiting references**

This place does not cover:

Opening or contents-removing devices added or incorporated during package manufacture	B65D 75/58
---	----------------------------

References out of a residual place

Examples of places in relation to which this place is residual:

Hand operated cutting devices for opening closed containers such as cans, tetraeders and similar containers	B67B 7/30
Power operated cutting devices	B67B 7/38

B65B 69/005**{by expelling contents, e.g. by squeezing the container}****References****References out of a residual place***Examples of places in relation to which this place is residual:*

Pliable tubular containers with auxiliary devices for expelling contents	B65D 35/28
Large containers with deformable internal walls facilitating emptying	B65D 88/62

Informative references*Attention is drawn to the following places, which may be of interest for search:*

Crushing, pulverising or desintegrating in general	B02C
Dispensers for silicon type cartridges	B05C 17/00
Presses for squeezing liquid from for ex. fruit	B30B 9/02

B65B 69/0058**{Solid contents}****Definition statement***This place covers:*

For example, pressing tablets from a blister as long as the apparatus for opening does not form part of a container for storing the blister-pack.

References**Informative references***Attention is drawn to the following places, which may be of interest for search:*

Disposal of medical waste	B09B 3/0075
Containers for storing a blister-package with special means for dispensing tablets from a blister web	B65D 83/0463

B65B 69/0066**{Heating materials to facilitate their unpacking}****References****References out of a residual place***Examples of places in relation to which this place is residual:*

Emptying large containers with use of heat	B65D 88/74
--	----------------------------

Informative references

Attention is drawn to the following places, which may be of interest for search:

Heating and cooling of liquids to be transferred	B67D 7/80
--	---------------------------

B65B 69/0075

{Emptying systems for flexible intermediate bulk containers [FIBC]}

References**Informative references**

Attention is drawn to the following places, which may be of interest for search:

Flexible large containers	B65D 88/16
Means facilitating the emptying of large containers	B65D 88/54
Methods or devices for emptying bunkers, hoppers, tanks	B65G 65/30
Preventing escape of dust	B65G 69/18

Glossary of terms

In this place, the following terms or expressions are used with the meaning indicated:

FIBC	big bag
------	---------

B65B 2210/02

Plurality of alternative input or output lines or plurality of alternative packaging units on the same packaging line for improving machine flexibility

References**Informative references**

Attention is drawn to the following places, which may be of interest for search:

Feeding along multiple lines to single packaging position	B65B 35/54
Multiple parallel packaging lines	B65B 65/003

B65B 2220/14

Adding more than one type of material or article to the same package

References**Informative references**

Attention is drawn to the following places, which may be of interest for search:

Volumetric dosing of several products into an individual container	B65B 3/326
Packaging two substances isolated from each-other but capable of being mixed in the package without opening the package	B65B 29/10

B65B 2230/02

**Containers having separate compartments isolated from one another
([B65B 29/10](#) and [B65B 2220/16](#) take precedence)**

References

Informative references

Attention is drawn to the following places, which may be of interest for search:

Such containers as such	B65D 81/32
-------------------------	----------------------------