

A61C

DENTISTRY; APPARATUS OR METHODS FOR ORAL OR DENTAL HYGIENE (non-driven toothbrushes [A46B](#); {tongue scrapers [A61B 17/24](#);} preparations for dentistry [A61K 6/00](#); preparations for cleaning the teeth or mouth [A61K 8/00](#), [A61Q 11/00](#))

Definition statement

This place covers:

Apparatus (i.e. instruments, implements, machines, structures, tools) or processes that are specially adapted for, or limited to use in, creating artificial teeth, mounting artificial teeth, supporting artificial teeth, or repairing artificial teeth or their supports (e.g. denture articulators), and wherein the dental prostheses made or fixed by the apparatus or process are used exclusively for humans or both humans and animals.

Apparatus or methods utilized to prevent, discourage, or cure oral diseases (i.e. diseases occurring exclusively within the oral cavity such as enamel caries or periodontitis) in humans or both humans and animals.

Apparatus, devices, or methods used for one or more of the following:

- correcting abnormalities or injuries that prevent the proper or desired bringing together of the cooperating surfaces of natural teeth, or their artificial replacements that are permanently affixed within the mouth, located on opposite jaws;
- preserving or rectify the appropriate or desired relative positioning, separation gaps, or alignment of natural teeth; or
- preventing or repairing damage to natural teeth or their appropriate or desired relative positioning, separation gaps, or alignment (e.g. devices that surround or cover teeth to prevent grinding).

Apparatus (i.e. instruments, implements, machines, structures, tools) or processes that are specially adapted for, or limited to use in, the treatment, reconstruction, removal, insertion, replacement, repair, transfixing or testing of either natural teeth, artificial teeth that are permanently affixed within the oral cavity, gums, or other portions of the oral cavity having an effect on their operation (e.g. portions of jawbone supporting teeth), and wherein the apparatus or processes are used exclusively for humans or both humans and animals.

Apparatus, devices, or methods used for

- sanitizing the oral cavity or dental prostheses (e.g. gargling devices, washing means);
- removing foreign matter (e.g. food) or undesirable naturally occurring matter (e.g. plaque, calculus) from the surfaces of teeth, gums, or dental prostheses; or
- stimulating gums.

Dental prostheses devices or artificial dental implant devices per se or their components (e.g. artificial teeth, mounting or attaching means for artificial teeth, devices for supplementing jawbones, crowns) used within the oral cavity.

Dental implants formed from biological material or consisting of oral cavity parts originating either from a donor source or from the patient that are intended to be introduced, or reintroduced, into the patient's oral cavity to correct a dental or oral hygiene problem (e.g. modified natural teeth or jawbone material from a donor).

Adjunct, auxiliary, or supplementary means or structures that contribute to the effectiveness or safety of dental procedures or their products and are specially adapted to be used either:

- during dentistry procedures (e.g. saliva removers, medication suppliers, drainage treatment);
- with the products of dental procedures (e.g. artificial teeth supports); or
- during the making of dental prostheses (e.g. stands for impression trays).

Specially adapted components of apparatus having structural features limiting them to use with at least one of the dental apparatus types specified above (e.g. dust collectors, illumination devices).

Accessories specially adapted for use with at least one of the above types of apparatus, means, or structures (e.g. devices for measuring the length of the root canal of a tooth).

Relationships with other classification places

Subclass [A46B](#) covers manually moved or powered brushes, and in particular toothbrushes, used for cleaning that are not specifically provided for elsewhere. It also covers arrangements of brush bristles per se and the handle structure for brushes.

Subclass [A61D](#) covers devices used by individuals to remove foreign matter from the surface of the teeth of animals or enhance the appearance of the teeth of animals when the device is not specifically provided for elsewhere and is limited to use solely on animals.

Subclass [A61G](#) covers dental work stands and dental or operating chairs.

Subclass [A61K](#) covers preparations that are used for medical, dental, or cosmetic purposes in the oral cavity.

Subclass [A61Q](#) covers preparations for care of the teeth, of the oral cavity or of dentures e.g. toothpastes, mouth rinses.

References

Limiting references

This place does not cover:

Positioning or arrangements of toothbrush bristles per se for manual or powered toothbrushes	A46B 9/04
Tongue scrapers	A61B 17/24
Dental work stands	A61G 15/14
Dental hypodermic syringes	A61M 5/178

Informative references

Attention is drawn to the following places, which may be of interest for search:

Apparatus for passive exercising	A61H 1/00
Gum massage	A61H 13/00
Exercising apparatus specially adapted for particular parts of the body	A63B 23/00

Glossary of terms

In this place, the following terms or expressions are used with the meaning indicated:

Oral cavity	The part of human or animal mouth that includes the inside lining of the lips and cheeks (buccal mucosa), the teeth or their artificial permanently affixed replacements, the gums, the front two-thirds of the tongue, the floor of the mouth below the tongue, the bony roof of the mouth (hard palate), and the area immediately behind the wisdom teeth (retromolar trigone).
-------------	---

A61C 1/00

Dental machines for boring or cutting {; General features of dental machines or apparatus, e.g. hand-piece design}

Definition statement

This place covers:

Dental hand-pieces used by the dentist;
 the control system of said hand-pieces;
 the power and fluid supply to said hand-pieces;
 the design of said hand-pieces;
 the mechanical drive of said hand-pieces;
 accessories and details of said hand-pieces.

References

Limiting references

This place does not cover:

Dental working tool itself (e.g. drill, burr)	A61C 3/02
Handpiece holder	A61G 15/16

A61C 1/0007

{Control devices or systems (fluid temperature control in air and water supply systems of dental machines or apparatus [A61C 1/0069](#))}

References

Limiting references

This place does not cover:

Fluid temperature control in air and water supply systems of dental machines or apparatus	A61C 1/0069
---	-----------------------------

Informative references

Attention is drawn to the following places, which may be of interest for search:

Control means or display unit for bone cutting tools	A61B 17/1626
Dental chair control	A61G 15/02

A61C 1/0015**{Electrical systems}****Definition statement***This place covers:*

The electrical or electronic control systems.

References**Informative references***Attention is drawn to the following places, which may be of interest for search:*

Control means or display unit for bone cutting tools	A61B 17/1626
Driving circuit for apparatus generating mechanical vibrations	B06B 1/0207

A61C 1/0023**{Foot control}****References****Informative references***Attention is drawn to the following places, which may be of interest for search:*

Pedal operated surgical instruments	A61B 2017/00973
Controlling members actuated by foot	G05G 1/30

A61C 1/0046**{Dental lasers (surgical lasers [A61B 18/20](#); working by laser beam in general [B23K 26/00](#); lasers per se [H01S 3/00](#))}****References****Informative references***Attention is drawn to the following places, which may be of interest for search:*

Surgical lasers	A61B 18/20
Working by laser beam in general	B23K 26/00
Lasers per se	H01S 3/00

A61C 1/0061

{Air and water supply systems; Valves specially adapted therefor ([A61C 1/052](#) takes precedence; rinsing or air-blowing devices [A61C 17/02](#))}

References

Limiting references

This place does not cover:

Duck for supplying driving or cooling fluid	A61C 1/052
Rinsing or air-blowing devices	A61C 17/02

A61C 1/0076

{Sterilising operating fluids or fluid supply elements such as supply lines, filters (sterilisation of liquid substances in general [A61L 2/18](#))}

References

Limiting references

This place does not cover:

Sterilisation of liquid substances in general	A61L 2/18
---	---------------------------

Informative references

Attention is drawn to the following places, which may be of interest for search:

Filters in general	B01D 61/00
--------------------	----------------------------

A61C 1/0084

{Supply units, e.g. reservoir arrangements, specially adapted pumps}

References

Limiting references

This place does not cover:

Container filling apparatus for tooth cleansing handpieces with fluid jets	A61C 17/0205
--	------------------------------

A61C 1/06

with electric drive

Relationships with other classification places

Electrical motors [H02K](#).

References

Informative references

Attention is drawn to the following places, which may be of interest for search:

Electromotors casing	H02K 5/08
Electromotors	H02K 29/00

A61C 1/07

with vibratory drive, e.g. ultrasonic

References

Limiting references

This place does not cover:

Vibrating working tool itself	A61C 3/03
Vibrating tooth cleaning device, e.g. ultrasonic toothbrush	A61C 17/20 ; A61C 17/32

Informative references

Attention is drawn to the following places, which may be of interest for search:

Vibrating surgical tool in general	A61B 17/320068
------------------------------------	--------------------------------

A61C 1/082

{Positioning or guiding, e.g. of drills}

Definition statement

This place covers:

Mechanical or electronic device to assist positioning of the tool in the jaw.

References

Limiting references

This place does not cover:

Root canal depth control	A61C 5/44
Guide for jaw with no dental, orthodontic or dental prosthesis/implant purpose	A61B 17/176

Informative references

Attention is drawn to the following places, which may be of interest for search:

Surgical tool tracking system	A61B 34/20
Surgical abutting means	A61B 2090/033
Surgical depth measuring means	A61B 2090/062

A61C 1/084**{of implanting tools}****Definition statement***This place covers:*

Guiding/positioning means for dental implanting purpose.

Relationships with other classification placesMarker e.g. radio-opaque [A61B 90/39](#).**A61C 1/088****{Illuminating devices or attachments (for examination of the mouth [A61B 1/24](#) and [A61B 1/06](#))}****Definition statement***This place covers:*

Illuminating devices for the dental handpiece.

Relationships with other classification placesLight guide [G02B 6/00](#).**References****Limiting references***This place does not cover:*

Dental laser	A61C 1/0046
Dental curing device by radiation	A61C 19/004
Diagnostic using light for oral/dental tissue e.g. carry detection	A61B 5/0088
Illuminating arrangement in general ceiling or like overhead structure	F21S 8/026

Informative references*Attention is drawn to the following places, which may be of interest for search:*

Instrument for medical examination of mouth / with illuminating arrangements	A61B 1/24 , A61B 1/06
Instrument for medical examination of the mouth	A61B 1/24
Device for illuminating surgical field (in relation with image producing)	A61B 90/30 , A61B 90/36

A61C 1/142

{Operating tool blocking means}

References

Informative references

Attention is drawn to the following places, which may be of interest for search:

Enabling torque transmission without clamping the tool	A61B 17/162
--	-----------------------------

A61C 1/144

{constricting the operating tool, e.g. chuck}

Definition statement

This place covers:

Systems for clamping the tool.

A61C 1/145

{Instruments or accessories for tool holders}

Definition statement

This place covers:

For instruments not being part of the tool holder, e.g. separate instrument for removing the tool.

A61C 1/16

Protecting caps for hand-pieces or angle-pieces

Definition statement

This place covers:

Devices for protecting hand-pieces, e.g. covers to prevent cross-contamination.

A61C 1/18

Flexible shafts; Clutches or the like; {Bearings or lubricating arrangements; Drives or transmissions} (flexible shafts in general [F16C](#); clutches in general [F16D](#))

Relationships with other classification places

Flexible shafts in general [F16C](#).

Clutches in general [F16D](#).

A61C 1/181

{Bearings or lubricating arrangements, e.g. air-cushion bearings}

Relationships with other classification places

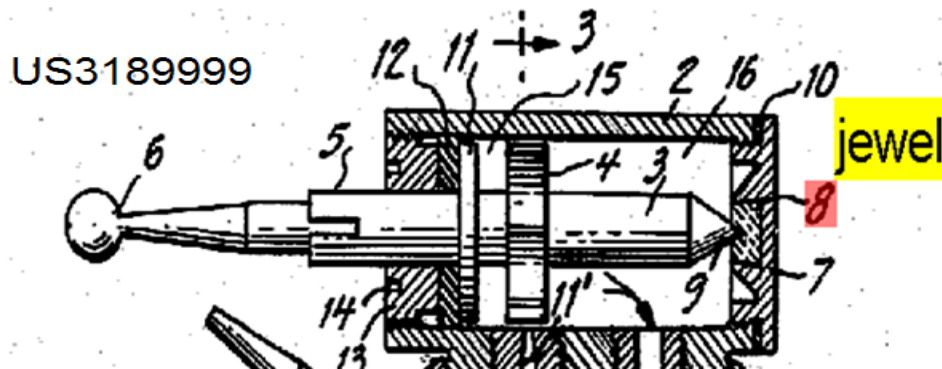
Bearing [F16C](#).

A61C 1/183

{Jewel bearings}

Definition statement

This place covers:



A61C 3/00

Dental tools or instruments (implanting tools [A61C 8/00](#); tools for fastening artificial teeth [A61C 13/12](#); visual inspection devices, e.g. dental mirrors, [A61B 1/24](#))

References

Limiting references

This place does not cover:

Implanting tools	A61C 8/0089
Tools for fastening artificial teeth	A61C 13/12
Visual inspection devices, e.g. dental mirrors	A61B 1/24

A61C 3/005

{Brushes for applying dental compositions}

Relationships with other classification places

Brushes in general [A46B](#).

A61C 3/03

Instruments operated by vibration

References

Limiting references

This place does not cover:

Vibration producing handpieces	A61C 1/07
Ultrasonic dental scalers	A61C 17/20

A61C 3/06

**Tooth grinding or polishing discs; Holders therefor {(prophylactic cups
[A61C 17/005](#))}**

References**Limiting references**

This place does not cover:

Prophylactic cups	A61C 17/005
-------------------	-----------------------------

A61C 5/00

Filling or capping teeth

Definition statement

This place covers:

Implements for filling or restoring the teeth, e.g. onlays, inlays.

References**Informative references**

Attention is drawn to the following places, which may be of interest for search:

Prophylactic cups	A61C 17/005
-------------------	-----------------------------

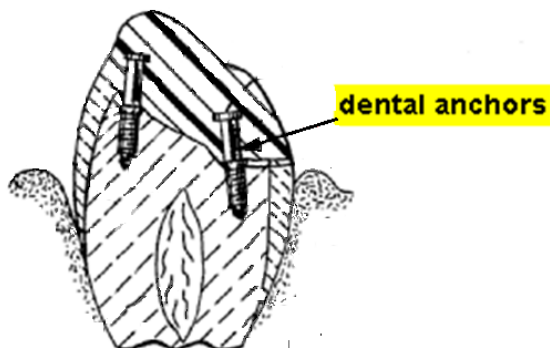
A61C 5/35

Pins; Mounting tools or dispensers therefor

Definition statement

This place covers:

Pins fixing the filling to the rest of the natural crown. The following drawing shows dental anchors.



References

Application-oriented references

Examples of places where the subject matter of this place is covered when specially adapted, used for a particular purpose, or incorporated in a larger system:

Root pins	A61C 13/30
-----------	----------------------------

A61C 5/40

Implements for surgical treatment of the roots or nerves of the teeth; Nerve needles; Methods or instruments for medication of the roots

References

Informative references

Attention is drawn to the following places, which may be of interest for search:

Measuring instruments for measuring the length of the root canal of a tooth	A61C 19/041
Devices for measuring the length of the root canal of a tooth	A61K 6/00

A61C 5/42

Files for root canals; Handgrips or guiding means therefor

References

Informative references

Attention is drawn to the following places, which may be of interest for search:

Guiding of dental instruments e.g. of drills	A61C 1/082
Depth control	A61C 5/44
Protective casings, e.g. boxes for instruments; Bags	A61C 19/02

A61C 5/44

Means for controlling working depth, e.g. supports or boxes with depth-gauging means, stop positioners or files with adjustably-mounted handles

References

Informative references

Attention is drawn to the following places, which may be of interest for search:

Stops for surgical instruments	A61B 2090/033
Stops for drill	B23B 49/005

A61C 5/50

Implements for filling root canals; Methods or instruments for medication of tooth nerve channels

Definition statement

This place covers:

Instruments, devices for filling/sealing a root canal, pins made of gutta percha.

References**Informative references**

Attention is drawn to the following places, which may be of interest for search:

Fastening of peg-teeth in the mouth	A61C 13/30
Rinsing tooth nerve channels	A61C 17/02
Composition of the fillings	A61K 6/02

A61C 5/60

Devices specially adapted for pressing or mixing capping or filling materials, e.g. amalgam presses

References**Informative references**

Attention is drawn to the following places, which may be of interest for search:

Brushes for applying dental materials	A61C 3/005
Trays for mixing substances	A61C 19/005

A61C 5/62

Applicators, e.g. syringes or guns

References**Informative references**

Attention is drawn to the following places, which may be of interest for search:

Dispenser for dental impression materials	A61C 9/0026
---	-----------------------------

A61C 5/64

for multi-component compositions

Relationships with other classification places

Mixing of materials [B01F](#).

References

Informative references

Attention is drawn to the following places, which may be of interest for search:

Two barrel syringes	B65D 81/325
---------------------	-----------------------------

A61C 5/70

Tooth crowns; Making thereof

Definition statement

This place covers:

Structure, shape of crowns.

References

Informative references

Attention is drawn to the following places, which may be of interest for search:

Dental implants	A61C 8/00
Superstructures for dental implants	A61C 8/0048
Creation of the colour of crowns	A61C 13/082
Methods or devices for soldering, casting, moulding or melting dental prostheses	A61C 13/20

A61C 5/77

Methods or devices for making crowns

Definition statement

This place covers:

Methods or devices specifically for manufacturing crowns.

References

Informative references

Attention is drawn to the following places, which may be of interest for search:

Making bridge-work, inlays, implants or the like	A61C 13/0003
Computer-assisted sizing or machining of dental prostheses	A61C 13/0004
Methods or devices for soldering, casting, moulding or melting dental prostheses	A61C 13/20

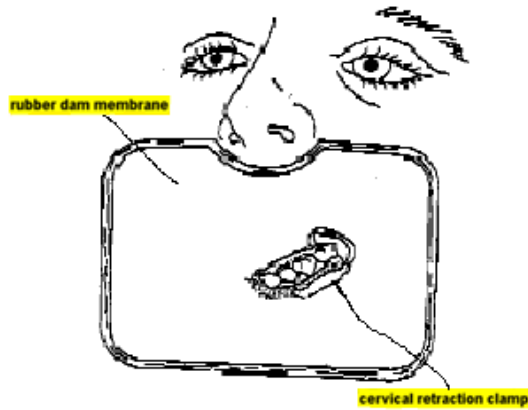
A61C 5/82

Dams; Holders or clamps therefor

Definition statement

This place covers:

Dental dams or holders or clamps. The following illustration shows an example of a dental dam and clamp.



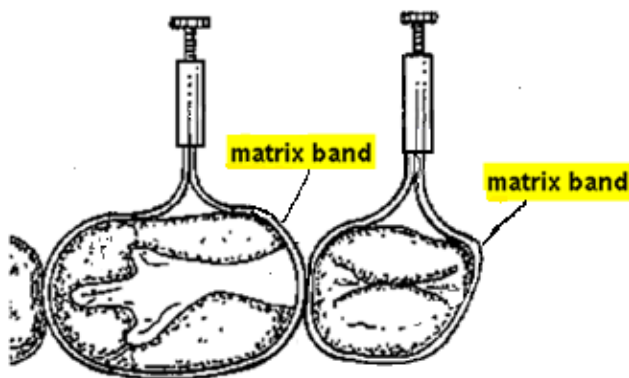
A61C 5/85

Filling bands, e.g. matrix bands; Manipulating tools therefor

Definition statement

This place covers:

Filling bands or manipulating tools for filling bands. The following illustration shows an example of a matrix filling band.



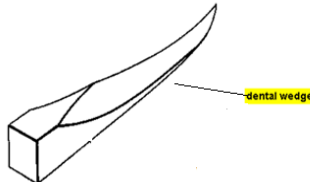
A61C 5/88

Wedges

Definition statement

This place covers:

Wedges for tooth crowns or for making tooth crowns. The following illustration shows an example of a tooth crown wedge.



A61C 5/90

Oral protectors for use during treatment, e.g. lip or mouth protectors
([A61C 5/82](#) takes precedence)

References

Limiting references

This place does not cover:

Dams or Holders or clamps for tooth crowns	A61C 5/82
--	---------------------------

Informative references

Attention is drawn to the following places, which may be of interest for search:

Instruments for opening or keeping open the mouth for medical examinations	A61B 1/24
Mouthpieces for tracheal tubes	A61M 16/0488

A61C 7/02

Tools for manipulating or working with an orthodontic appliance {(tools for placement of brackets [A61C 7/146](#); instruments for attaching elastic bands [A61C 7/306](#)}}

References

Limiting references

This place does not cover:

Tools for placement of brackets	A61C 7/146
---------------------------------	----------------------------

Instruments for attaching elastic bands	A61C 7/306
---	----------------------------

A61C 7/08

Mouthpiece-type retainers {or positioners, e.g. for both the lower and upper arch (arch-shaped medicament applicators for teeth or gums [A61C 19/063](#); mouthguards for protecting the teeth of sportsmen [A63B 71/085](#))}

References

Informative references

Attention is drawn to the following places, which may be of interest for search:

Arch-shaped medicament applicators for teeth or gums	A61C 19/063
Anti-snoring devices, bruxism protective devices	A61F 5/566
Exercising devices	A63B 23/032
Mouthguards for protecting the teeth of sportsmen	A63B 71/085

A61C 7/14

Brackets ([A61C 7/28](#) takes precedence); Fixing brackets to teeth

References

Limiting references

This place does not cover:

Connection of arch wires to brackets	A61C 7/28
--------------------------------------	---------------------------

A61C 7/143

{Brackets with two or more recesses for arch wires}

Definition statement

This place covers:

Brackets with two or more slots for receiving arch wires.

A61C 7/20

Arch wires ([A61C 7/28](#) takes precedence)

References

Limiting references

This place does not cover:

Connection of arch wires to brackets	A61C 7/28
--------------------------------------	---------------------------

A61C 8/00

Means to be fixed to the jaw-bone for consolidating natural teeth or for fixing dental prostheses thereon; Dental implants; Implanting tools (fastening of peg-teeth in the mouth [A61C 13/30](#))

References**Limiting references**

This place does not cover:

Fastening of peg-teeth in the mouth	A61C 13/30
-------------------------------------	----------------------------

A61C 8/0001

{Impression means for implants, e.g. impression coping}

Glossary of terms

In this place, the following terms or expressions are used with the meaning indicated:

Analog	transfer copings
--------	------------------

A61C 8/0006

{Periodontal tissue or bone regeneration (support means for endoprosthetic bone substitute or bone graft implants [A61F 2/2846](#))}

References**Limiting references**

This place does not cover:

Instruments for sinus lifting	A61C 8/0092
Sinus surgical tool	A61B 17/1688
Compression or distraction mechanisms for jaw bones	A61B 17/663
Bone prostheses for mandibular reconstruction	A61F 2/2803
Support means for endoprosthetic bone substitute or bone graft implants	A61F 2/2846
Tools for implanting bone graft	A61F 2/4601

A61C 8/0009

{Consolidating prostheses or implants, e.g. by means of stabilising pins ([A61C 8/0031](#) takes precedence)}

References**Limiting references**

This place does not cover:

Juxtaosseous implants	A61C 8/0031
-----------------------	-----------------------------

A61C 8/001

{Multiple implanting technique, i.e. multiple component implants introduced in the jaw from different directions}

Definition statement

This place covers:

Implants which are introduced laterally.

A61C 8/0012

{characterised by the material or composition, e.g. ceramics, surface layer, metal alloy (use of specific materials [A61K 6/00](#))}

Relationships with other classification places

Materials for dental implants [A61K 6/00](#).

References**Informative references**

Attention is drawn to the following places, which may be of interest for search:

Special external bone-contacting surfaces, e.g. coating for improving bone ingrowth	A61F 2/30767
Materials for coating prostheses	A61L 27/28

A61C 8/0013

{with a surface layer, coating}

References**Limiting references**

This place does not cover:

Roughness aspects	A61C 2008/0046
-------------------	--------------------------------

A61C 8/0015

{being a conversion layer, e.g. oxide layer}

Definition statement

This place covers:

Dental implants with an outer surface treated chemically.

A61C 8/0022**{Self-screwing ([A61C 8/0028](#) takes precedence)}****Definition statement***This place covers:*

Threaded dental implants.

References**Limiting references***This place does not cover:*

Pins, needles; Head structures therefor	A61C 8/0028
---	-----------------------------

A61C 8/0028**{Pins, needles; Head structures therefor ([A61C 8/0004](#), [A61C 8/0009](#) take precedence)}****References****Limiting references***This place does not cover:*

For consolidating natural teeth	A61C 8/0004
For stabilising dental implants	A61C 8/0009

A61C 2008/0046**{Textured surface, e.g. roughness, microstructure ([A61C 8/0013](#) takes precedence)}****References****Limiting references***This place does not cover:*

Implants with microthreadings	A61C 8/0022
-------------------------------	-----------------------------

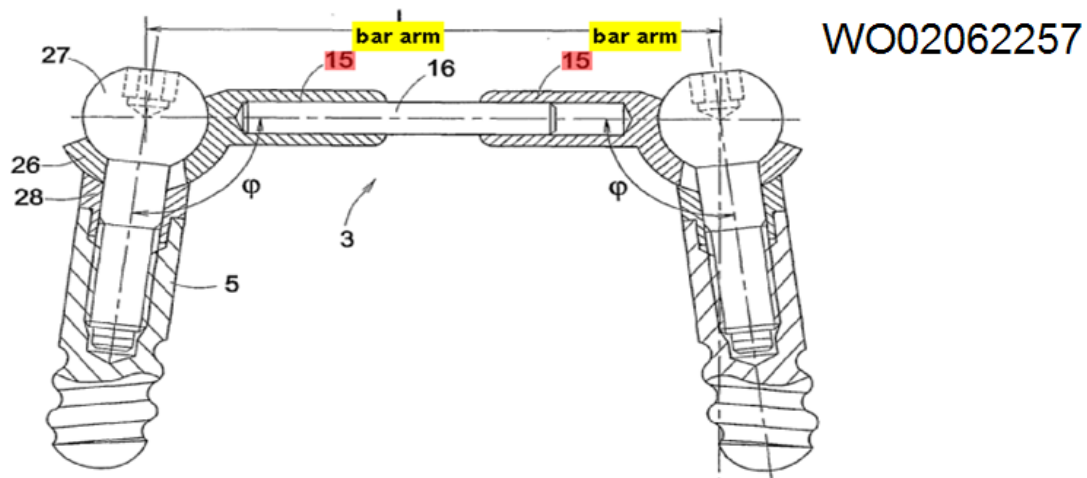
A61C 8/0048

{Connecting the upper structure to the implant, e.g. bridging bars ([A61C 8/0028](#) takes precedence)}

Definition statement

This place covers:

The upper structure is the part connected on top of the abutment or implant head; the "upper structure" can be the prosthesis (crown, bridge, etc) or an intermediate part connecting the prosthesis to the abutment/implant head.



References

Limiting references

This place does not cover:

Connection to the remaining teeth	A61C 13/225
-----------------------------------	-----------------------------

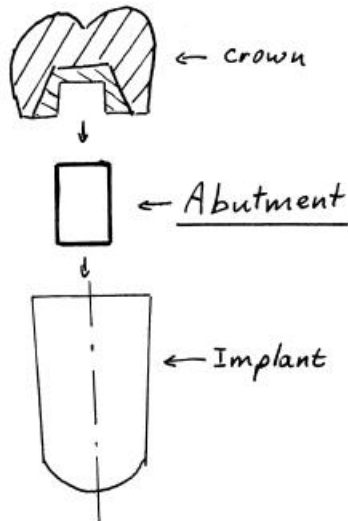
A61C 8/005

{Connecting devices for joining an upper structure with an implant member, e.g. spacers}

Definition statement

This place covers:

Dental implant abutments connecting the upper structure with the implant.



A61C 8/0051

{Abutment monobloc with restoration}

Definition statement

This place covers:

The abutment and the prosthesis form a one-piece element.

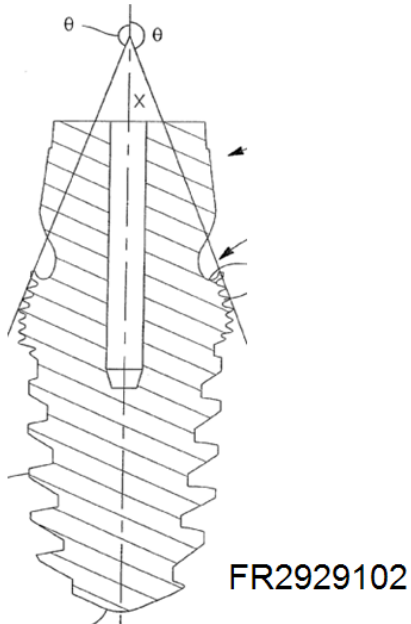
A61C 8/0075

{Implant heads specially designed for receiving an upper structure (if separable from the implant [A61C 8/005](#))}

Definition statement

This place covers:

Monobloc implants; abutment being integral with the implant.

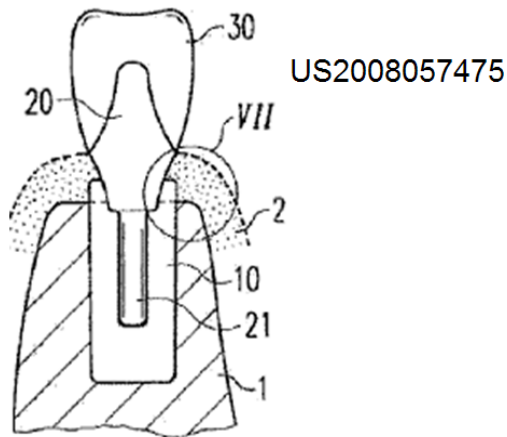
**References****Limiting references**

This place does not cover:

Separable abutments	A61C 8/005
---------------------	----------------------------

A61C 8/0078**{with platform switching, i.e. platform between implant and abutment}****Definition statement***This place covers:*

Illustrative example of subject matter classified in this group.

**A61C 8/0092****{for sinus lifting}****References****Informative references***Attention is drawn to the following places, which may be of interest for search:*

Sinus surgical tool	A61B 17/1688
---------------------	------------------------------

A61C 9/00**Impression cups, {i.e. impression trays}; Impression methods {(computer-assisted sizing [A61C 13/0004](#); instruments for determining occlusion [A61C 19/05](#))}****References****Limiting references***This place does not cover:*

Computer-assisted sizing	A61C 13/0004
Instruments for determining occlusion	A61C 19/05

A61C 9/002

**{Means or methods for correctly replacing a dental model, e.g. dowel pins;
Dowel pin positioning means or methods}**

Definition statement

This place covers:

Means for repositioning cut teeth of a dental model on a base.

A61C 9/0026

**{Syringes or guns for injecting impression material; Mixing impression material
for immediate use}**

References**Limiting references**

This place does not cover:

Flow mixers	B01F 5/00
Mixers with rotary stirring devices in fixed receptacles	B01F 7/00

A61C 11/001

{non-pivoting}

Definition statement

This place covers:

Articulators with non-pivoting upper model supporting part.

A61C 11/003

{with height adjustments thereof}

Definition statement

This place covers:

The distance between the upper and the lower dental casts is adjustable.

A61C 11/005

{with tracing devices}

Definition statement

This place covers:

Pens or drawing devices mounted on the articulator for drawing marking lines.

A61C 11/006**{with an occlusal plate}****Definition statement***This place covers:*

Occlusal guide plate.

A61C 13/0004**{Computer-assisted sizing or machining of dental prostheses}****References****Informative references***Attention is drawn to the following places, which may be of interest for search:*

Digitized impressions	A61C 9/004
Computer assisted design	G06F 17/50
Image analysis	G06T 7/00
Healthcare informatics	G16H

A61C 13/0007**{using sand blasting}****Relationships with other classification places**Abrasive blasting [B24C](#).**A61C 13/0018****{using laser}****References****Limiting references***This place does not cover:*

Stereolithographic techniques	A61C 13/0013
-------------------------------	------------------------------

A61C 13/0025**{Linings}****Definition statement***This place covers:*

Layer of a denture contacting the soft tissue or palate of a user.

A61C 13/082

{Cosmetic aspects, e.g. inlays; Determination of the colour ([A61C 19/10](#) takes precedence)}

References**Limiting references**

This place does not cover:

Shade guides	A61C 19/10
--------------	----------------------------

A61C 13/083

Porcelain or ceramic teeth {([A61C 13/081](#) takes precedence; preparations [A61K 6/02](#))}

References**Limiting references**

This place does not cover:

Preparations	A61K 6/02
--------------	---------------------------

A61C 13/0835

{Ceramic coating on metallic body}

References**Limiting references**

This place does not cover:

Forming processes of shaped ceramic products	C04B 35/622
--	-----------------------------

A61C 13/1016

{Methods or apparatus for mounting, holding or positioning a set of teeth}

References**Informative references**

Attention is drawn to the following places, which may be of interest for search:

Palates made by casting	A61C 13/04
-------------------------	----------------------------

A61C 13/12

Tools for fastening artificial teeth; Holders, clamps, or stands for artificial teeth **{{(A61C 8/0089 takes precedence)}**

Definition statement

This place covers:

Tools for dental technicians to make or work with prostheses (not for use in the mouth).

References

Limiting references

This place does not cover:

Dust removing on dental workplaces	A61C 19/007
------------------------------------	-----------------------------

A61C 13/14

Vulcanising devices for artificial teeth **{{by radiation [A61C 19/003](#)}; apparatus for curing, e.g. vulcanising, of plastics or substances in a plastic state, in general [B29C 35/00](#)}**

Relationships with other classification places

Apparatus for curing, e.g. vulcanising, of plastics or substances in a plastic state [B29C](#).

References

Limiting references

This place does not cover:

Curing by radiation	A61C 19/003
---------------------	-----------------------------

A61C 13/20

Methods or devices for soldering, casting, moulding or melting **{{(A61C 13/04, A61C 13/081 take precedence)}**

References

Informative references

Attention is drawn to the following places, which may be of interest for search:

Sintering of metal powders	B22F 3/10
Oven for dental parts	F27B 17/025

A61C 13/225

Fastening prostheses in the mouth (securing tooth crowns in capping teeth [A61C 5/30](#))

References

Limiting references

This place does not cover:

Securing tooth crowns in capping teeth	A61C 5/30
--	---------------------------

Informative references

Attention is drawn to the following places, which may be of interest for search:

Fastening on dental implants	A61C 8/0048
------------------------------	-----------------------------

A61C 13/235

Magnetic fastening ({[A61C 8/0081](#) takes precedence}); magnetic implants [A61C 8/00](#))

References

Limiting references

This place does not cover:

Magnetic dental implant retention systems	A61C 8/0081
---	-----------------------------

A61C 13/24

Fastening by suction {, i.e. total dentures ([A61C 8/00](#), [A61C 13/235](#), [A61C 13/28](#) take precedence)}

References

Limiting references

This place does not cover:

Implants supported restorations, connecting bars	A61C 8/0048
Magnetic fastening	A61C 13/235
Fastening by spring action between upper and lower denture	A61C 13/28

A61C 13/30

Fastening of peg-teeth in the mouth

Definition statement

This place covers:

Pins or posts for fixing a prosthesis like an artificial crown to a natural tooth root.

A61C 15/02**Toothpicks****References****Limiting references***This place does not cover:*

Interdental cleaning band without sharp tip	A61C 15/00
---	----------------------------

Informative references*Attention is drawn to the following places, which may be of interest for search:*

Brushes fitted with a toothpick	A46B 15/0069
---------------------------------	------------------------------

A61C 15/041**{Dental floss (chemical aspects [A61Q 11/00](#))}****References****Informative references***Attention is drawn to the following places, which may be of interest for search:*

Chemical aspects	A61Q 11/00
------------------	----------------------------

A61C 15/043**{Containers, dispensers, or the like, e.g. with cutting means ([A61C 15/046](#) takes precedence)}****References****Limiting references***This place does not cover:*

Containers integrated in a flossing tool	A61C 15/046
--	-----------------------------

Informative references*Attention is drawn to the following places, which may be of interest for search:*

Packages and dispensers for sutures	A61B 17/06114
-------------------------------------	-------------------------------

A61C 17/00

Devices for cleaning, polishing, rinsing or drying teeth, teeth cavities or prostheses (instruments acting like a sandblast machine [A61C 3/025](#); tooth polishing discs or holders therefor [A61C 3/06](#); devices for cleaning between the teeth [A61C 15/00](#)); Saliva removers; Dental appliances for receiving spittle

References

Limiting references

This place does not cover:

Instruments acting like a sandblast machine	A61C 3/025
Tooth polishing discs or holders therefor	A61C 3/06
Devices for cleaning between the teeth	A61C 15/00

A61C 17/005

{Devices for dental prophylaxis}

Definition statement

This place covers:

Cups to put pastes in, e.g. abrasive paste, fluoride paste; tools for rotating the cups.

A61C 17/02

Rinsing or air-blowing devices, e.g. using fluid jets {or comprising liquid medication} ({air and water supply systems in dental machines in general [A61C 1/0061](#); with particulate material supply [A61C 3/025](#);} combined with power-driven cleaning or polishing devices [A61C 17/16](#))

References

Limiting references

This place does not cover:

Air and water supply systems in dental machines	A61C 1/0061
With particulate material supply	A61C 3/025
Combined with power-driven cleaning or polishing devices	A61C 17/16

A61C 17/0208

{combined with means providing suction ([A61C 17/0211](#) takes precedence)}

References

Limiting references

This place does not cover:

Specially adapted for rinsing the teeth of at least one jaw simultaneously	A61C 17/0211
--	------------------------------

A61C 17/028

with intermittent liquid flow {([A61C 17/0211](#) takes precedence)}

References**Limiting references**

This place does not cover:

Specially adapted for rinsing the teeth of at least one jaw simultaneously	A61C 17/0211
--	------------------------------

A61C 17/036

{Cleaning devices for dental prostheses removed from the oral cavity (using ultrasonics [B08B 3/12](#))}

References**Limiting references**

This place does not cover:

Manual brushes for cleaning dentures	A46B 2200/1073
--------------------------------------	--------------------------------

A61C 17/043

{Aspiration tips (aspiration combined with rinsing or liquid medication [A61C 17/0208](#))}

References**Limiting references**

This place does not cover:

Aspiration combined with rinsing or liquid medication	A61C 17/0208
---	------------------------------

Informative references

Attention is drawn to the following places, which may be of interest for search:

Measuring saliva production	A61B 5/4266
Taking sample of saliva	A61B 10/0051
Surgical instruments with suction cup	A61B 2017/308
Drainage tubes, aspiration tips	A61M 1/008

A61C 17/046

{characterised by provisions for processing the collected matter, e.g. for separating solids or air (similar devices for medical use [A61M 1/0056](#))}

References**Limiting references**

This place does not cover:

Similar devices for medical use	A61M 1/0056
---------------------------------	-----------------------------

A61C 17/16

Power-driven cleaning or polishing devices

References**Informative references**

Attention is drawn to the following places, which may be of interest for search:

Other power driven brushes	A46B 13/02
----------------------------	----------------------------

A61C 17/20

using ultrasonics

Definition statement

This place covers:

Ultrasonic dental scalers, ultrasonic toothbrushes.

References**Limiting references**

This place does not cover:

Dental handpieces producing vibrations	A61C 1/07
Vibrating dental tools	A61C 3/03

A61C 17/22

with brushes, cushions, cups, or the like (brush bodies, e.g. arrangements of the bristles [A46B](#))

Relationships with other classification places

Brush bodies, e.g. arrangements of the bristles [A46B](#).

A61C 17/221**{Control arrangements therefor}****References****Limiting references***This place does not cover:*

Time brushing control	A46B 15/0008
Control of brush life	A46B 15/001
Controlling pressure applied to the teeth	A46B 15/0012

A61C 17/222**{Brush body details, e.g. the shape thereof or connection to handle}****Relationships with other classification places**Arrangements of bristles [A46B](#).Material aspects of bristles [A46D](#).**A61C 17/227****{with reservoirs, e.g. for toothpaste}****References****Informative references***Attention is drawn to the following places, which may be of interest for search:*

Manual toothbrushes with reservoirs	A46B 11/00
Power driven brushes with reservoirs	A46B 13/04

A61C 17/24**rotating continuously ([A61C 17/40](#) takes precedence)****References****Limiting references***This place does not cover:*

With a nutating movement	A61C 17/40
--------------------------	----------------------------

A61C 17/30

driven by hydraulic motor, e.g. water motor

References

Informative references

Attention is drawn to the following places, which may be of interest for search:

Power driven brushes	A46B 13/06
----------------------	----------------------------

A61C 17/3409

{characterized by the movement of the brush body}

Definition statement

This place covers:

Power toothbrushes characterized by movements of the oscillating brush body.

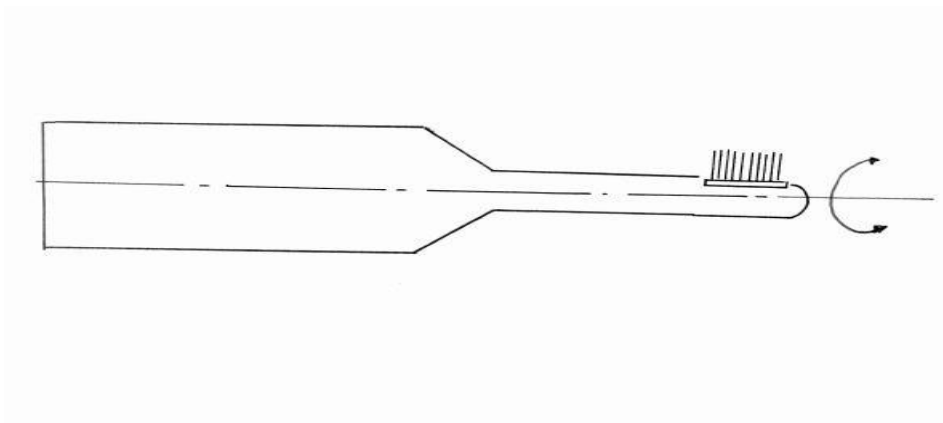
A61C 17/3418

{Rotation around the axis of the toothbrush handle}

Definition statement

This place covers:

Illustrative example of subject matter classified in this group.



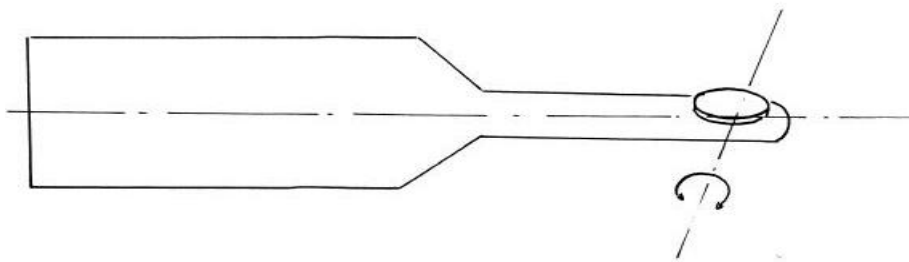
A61C 17/3427

{Rotation around the axis perpendicular to the axis of toothbrush handle and in the plane defined by the bristle holder}

Definition statement

This place covers:

Illustrative example of subject matter classified in this group.



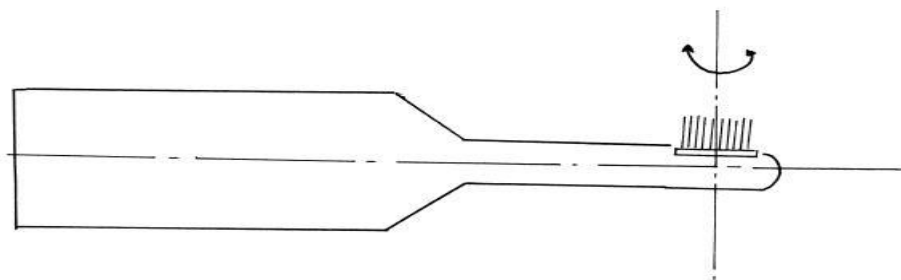
A61C 17/3436

{Rotation around the axis perpendicular to the plane defined by the bristle holder}

Definition statement

This place covers:

Illustrative example of subject matter classified in this group.



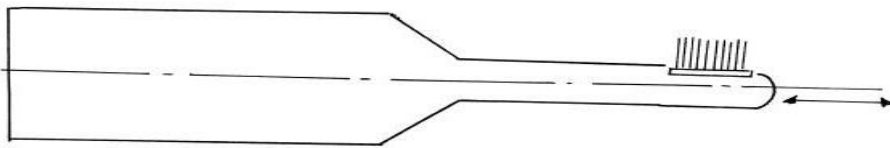
A61C 17/3445

{Translation along the axis of the toothbrush handle}

Definition statement

This place covers:

Illustrative example of subject matter classified in this group.



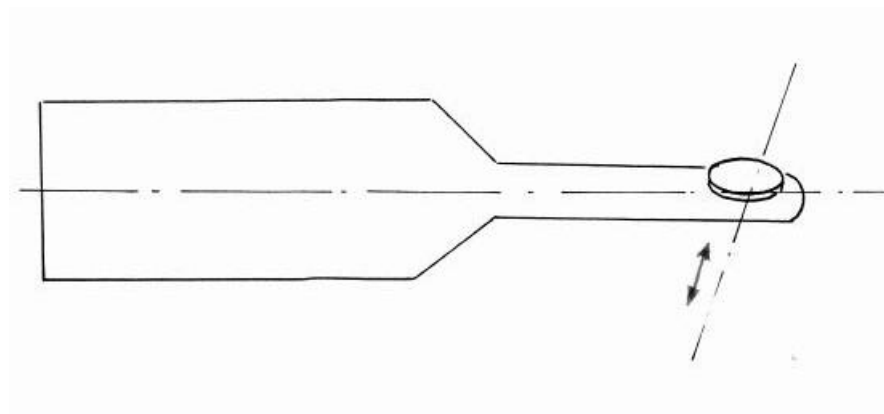
A61C 17/3454

{Translation along the axis perpendicular of the axis of toothbrush handle and in the plane defined by the bristle holder}

Definition statement

This place covers:

Illustrative example of subject matter classified in this group.



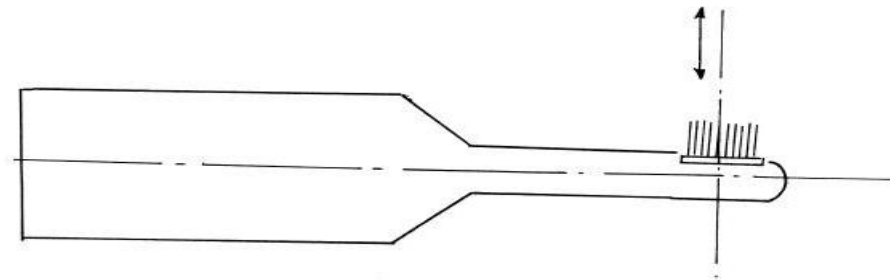
A61C 17/3463

{Translation along the axis perpendicular to the plane defined by the bristle holder}

Definition statement

This place covers:

Illustrative example of subject matter classified in this group.



A61C 17/3472

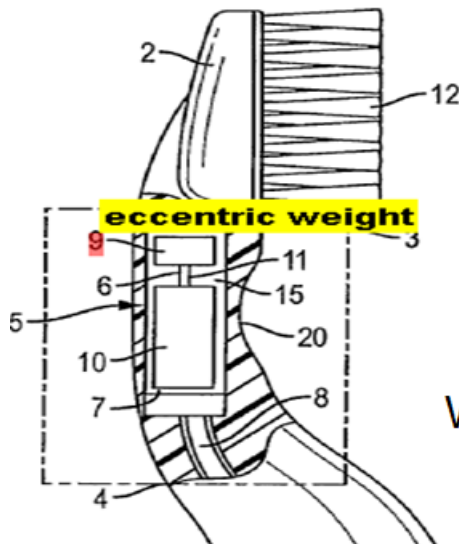
{with combined movements of the brush body}

Special rules of classification

Brushes with combined motions are classified in [A61C 17/3472](#) (but not [A61C 17/3418](#) - [A61C 17/3463](#)) and are given separate Indexing Codes ([A61C 17/3418](#) - [A61C 17/3463](#)) for each movement.

A61C 17/3481**{Vibrating brush body, e.g. by using eccentric weights}****Definition statement***This place covers:*

Illustrative example of subject matter classified in this group.



WO2007014232

A61C 17/349**{with multiple brush bodies}****Special rules of classification**

The movements of the individual brush bodies are classified with the Indexing Codes ([A61C 17/3418](#) - [A61C 17/3463](#)) and not the classes ([A61C 17/3418](#) - [A61C 17/3463](#)).

A61C 19/00**Dental auxiliary appliances (dental chairs or accessories therefor, working stands whether or not combined with chairs [A61G 15/00](#))****References****Limiting references***This place does not cover:*

Dental chairs or accessories therefor, working stands whether or not combined with chairs	A61G 15/00
Model tooth/jaw for teaching	G09B 23/283

A61C 19/001

{Holders for absorbent pads (absorbent pads per se [A61F 13/00](#))}

References**Informative references**

Attention is drawn to the following places, which may be of interest for search:

Absorbent pads per se	A61F 13/00
-----------------------	----------------------------

A61C 19/002

{Cleaning devices specially adapted for dental instruments (disinfecting [A61L 2/00](#); cleaning in general [B08B](#))}

Relationships with other classification places

Cleaning in general [B08B](#).

References**Limiting references**

This place does not cover:

Cleaning of devices for surgical instruments	A61B 90/70
Disinfecting	A61L 2/00

A61C 19/02

Protective casings, e.g. boxes for instruments; Bags {([A61C 5/44](#) takes precedence)}

References**Limiting references**

This place does not cover:

Boxes for endodontic files	A61C 5/44
----------------------------	---------------------------

Informative references

Attention is drawn to the following places, which may be of interest for search:

Support for drills	A61C 3/04
--------------------	---------------------------

A61C 19/04

Measuring instruments specially adapted for dentistry ({[A61C 5/44](#) takes precedence; testing vitality of teeth [A61B 5/0534](#);} radiation diagnosis [A61B 6/00](#))

References**Limiting references**

This place does not cover:

Means for controlling working depth	A61C 5/44
Testing vitality of teeth	A61B 5/0534
Radiation diagnosis	A61B 6/00

Informative references

Attention is drawn to the following places, which may be of interest for search:

Detecting caries with light	A61B 5/0088
Detecting tooth mobility	A61B 5/1111
Measurement of masticatory force	A61B 5/228

A61C 19/08

combined with anaesthetising implements (dental hypodermic syringes [A61M 5/00](#))

References**Limiting references**

This place does not cover:

Dental hypodermic syringes	A61M 5/00
----------------------------	---------------------------

A61C 19/10

Supports for artificial teeth for transport or for comparison of the colour

References**Limiting references**

This place does not cover:

Measuring colour of teeth	G01J 3/00
---------------------------	---------------------------