

A01M

CATCHING, TRAPPING OR SCARING OF ANIMALS (appliances for catching swarms or drone-catching [A01K 57/00](#); fishing [A01K 69/00](#) - [A01K 99/00](#); biocides, pest repellants or attractants [A01N](#)); APPARATUS FOR THE DESTRUCTION OF NOXIOUS ANIMALS OR NOXIOUS PLANTS

Definition statement

This place covers:

- Catching or killing insects
- Special adaptations or arrangements or liquid- or powder-spraying apparatus for the purposes covered by this subclass
- Fumigators
- Flame-throwers specially adapted for the purposes covered by this subclass
- Apparatus for the destruction of vermin, noxious animals or unwanted vegetation
- Traps for animals
- Devices or apparatus for killing animals by dispensing poison, or by projectiles
- Scaring or repelling devices
- Hunting appliances

Relationships with other classification places

[A01M](#) provides for the catching, trapping or scaring of animals; yet when these processes are used for the purposes of fishing and apiculture/bee-keeping, they are classified in [A01K](#). Furthermore, electric circuits or apparatus specially adapted for catching, trapping and control of animals or adapted for the destruction of insects and animals are classified in [H05C](#). Mechanical devices/apparatus for the destruction of vermin, noxious animals and unwanted plants and vegetation are classified in [A01M](#); yet biocides, pest repellants, attractants and plant growth regulators are classified in [A01N](#).

References

Limiting references

This place does not cover:

Appliances for catching swarms; Drone-catching devices	A01K 57/00
Fishing	A01K 69/00 - A01K 99/00
Biocides, pest repellants or attractants	A01N

Informative references

Attention is drawn to the following places, which may be of interest for search:

Slaughtering or stunning of animals	A22B
Spraying or atomising apparatus, in general	B05B
Equipment for fitting in or to aircraft for dropping or releasing powdered, liquid or gaseous matter, e.g. pesticides, herbicides	B64D 1/16
Electric circuits or apparatus specially designed for use in equipment for killing, stunning, enclosing or guiding living beings	H05C

Glossary of terms

In this place, the following terms or expressions are used with the meaning indicated:

Animal	Non-human members of the kingdom Animalia, including, but not limited to, mammals, birds and insects.
Destruction	To destroy or cause the death of a living organism; the non-chemical sterilisation of invertebrates.
Fumigator	Apparatus used to disinfect or purify an area using the fumes of selected chemicals.
Insect	A class of arthropod animals characterised by an exoskeleton supporting a three-part body (comprising a head, thorax and abdomen), six legs and two antennae.
Killing	To destroy or cause the death of a living organism; the non-chemical sterilisation of invertebrates.
Noxious	Harmful, poisonous or undesirable.
Snare	An anchored noose typically made from wire or cable which tightens around an animal, preventing release or escape.
Vermin	Wild animals, e.g. rodents, which may spread disease or be harmful to crops.

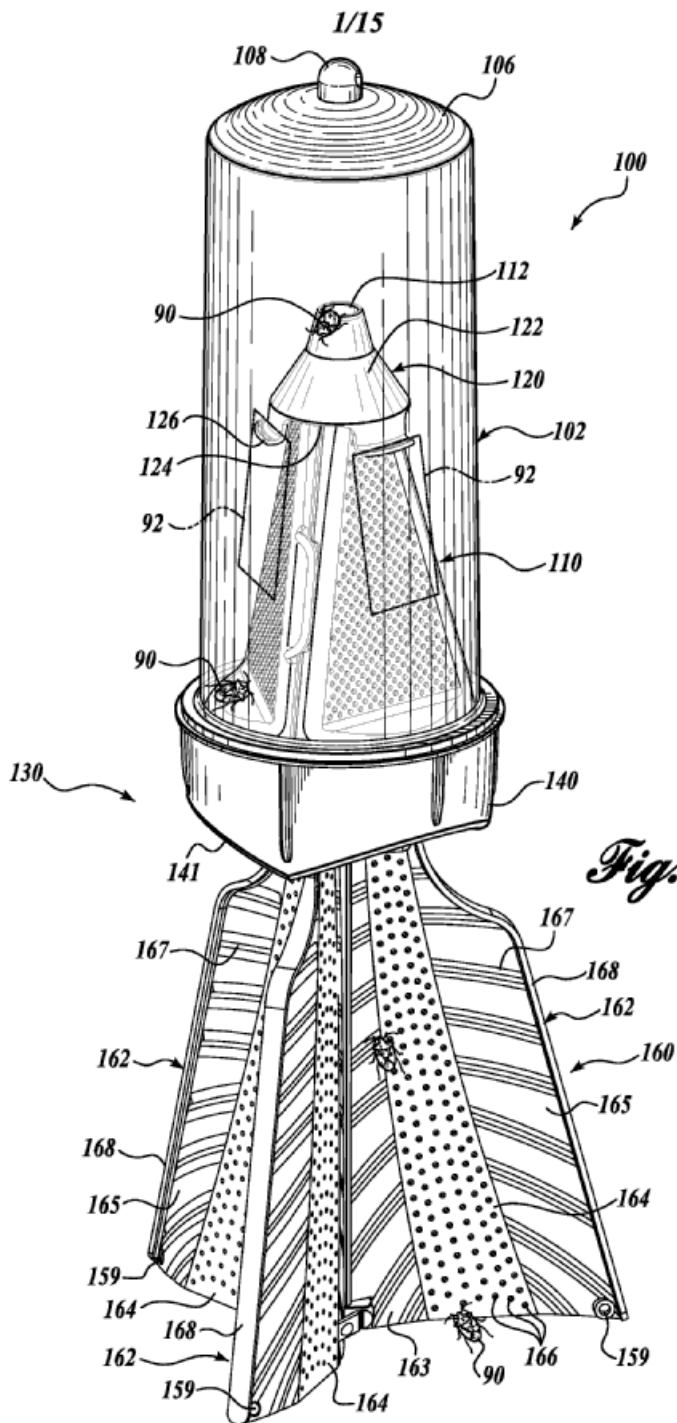
A01M 1/00

Stationary means for catching or killing insects

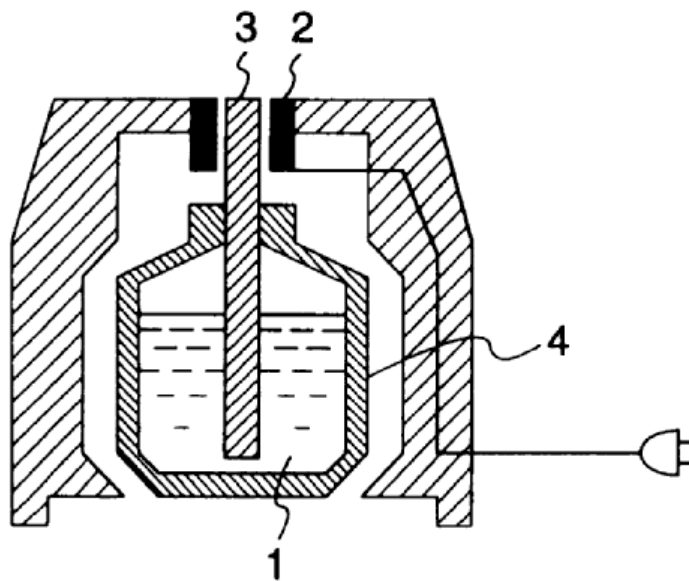
Definition statement

This place covers:

Example from WO2012145198:



Example from FR2738718:



References

Informative references

Attention is drawn to the following places, which may be of interest for search:

Mobile means for catching of killing insects	A01M 3/00 , A01M 5/00
Fumigators	A01M 13/00
Traps for animals	A01M 23/00
Bait station for other animals	A01M 25/00
Means for repelling	A01M 29/00
Repelling	A01M 29/00
Lure dispensing device; in a sub-group of	A01M 31/00
Deodorisation of air	A61L 9/00

Synonyms and Keywords

Insects	Arthropods (insects, spiders)
---------	-------------------------------

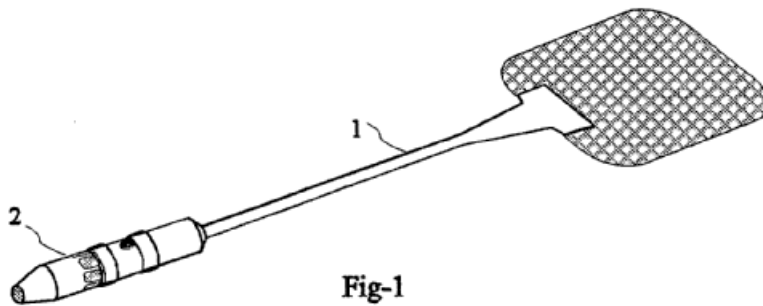
A01M 3/00

Manual implements, other than sprayers or powder distributors, for catching or killing insects, e.g. butterfly nets

Definition statement

This place covers:

Example from NL1019153CC:



References

Informative references

Attention is drawn to the following places, which may be of interest for search:

Stationary means for catching or killing insects	A01M 1/00
--	---------------------------

Glossary of terms

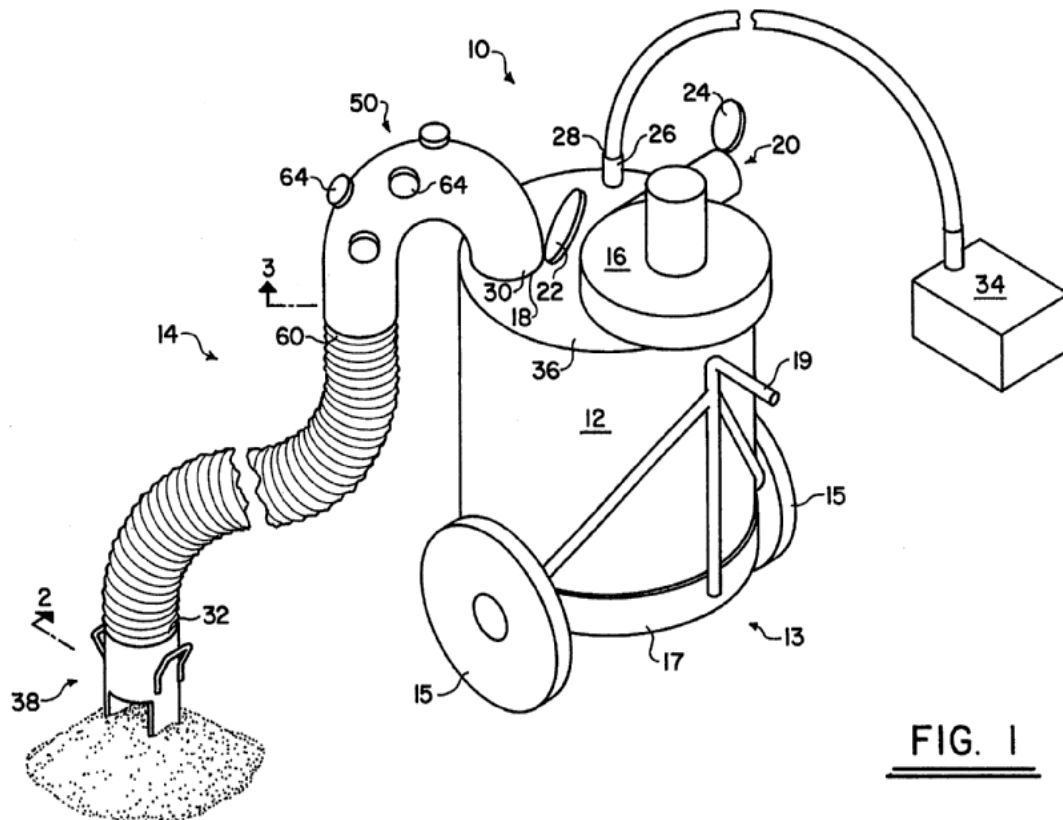
In this place, the following terms or expressions are used with the meaning indicated:

Insects	Arthropods (insects, spiders, ...)
---------	------------------------------------

A01M 5/00**Catching insects in fields, gardens, or forests by movable appliances****Definition statement**

This place covers:

Example from US5400543:

**FIG. 1****References****Informative references**

Attention is drawn to the following places, which may be of interest for search:

Stationary means for catching or killing insects	A01M 1/00
Manual implements	A01M 3/00

Glossary of terms

In this place, the following terms or expressions are used with the meaning indicated:

Insects	Arthropods (insects, spiders, ...)
---------	------------------------------------

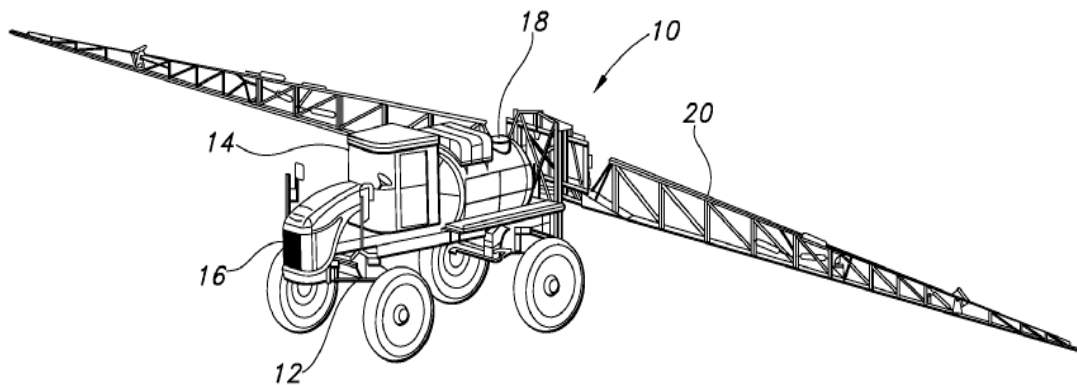
A01M 7/00

Special adaptations or arrangements of liquid-spraying apparatus for purposes covered by this subclass

Definition statement

This place covers:

Example from WO2012088014:



References

Informative references

Attention is drawn to the following places, which may be of interest for search:

Powder spraying apparatus	A01M 9/00
Combined liquid and powder spraying apparatus	A01M 11/00
Apparatus for the destruction of unwanted vegetation	A01M 21/00
Distribution of fertilizers	A01C 15/00
Distributing devices specially adapted for liquid manure or other fertilising liquid	A01C 23/00
Watering gardens, fields, sports grounds or the like	A01G 25/00
Chemical treatment of plants or soils	A01N 25/00 - A01N 65/00
Spraying apparatus in general	B05B
Nozzles	B05B 1/00

Glossary of terms

In this place, the following terms or expressions are used with the meaning indicated:

Atomiser	Using an air stream
----------	---------------------

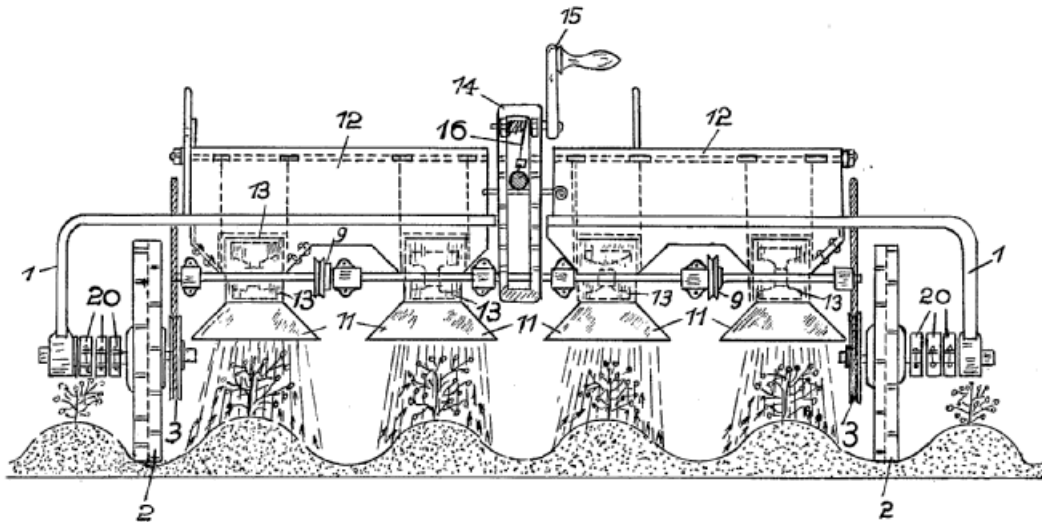
A01M 9/00

Special adaptations or arrangements of powder-spraying apparatus for purposes covered by this subclass

Definition statement

This place covers:

Example from DE924662:



References

Informative references

Attention is drawn to the following places, which may be of interest for search:

Liquid spraying apparatus	A01M 7/00
Combined liquid and powder spraying apparatus	A01M 11/00
Fertiliser distributor	A01C 15/00
Spraying apparatus in general	B05B

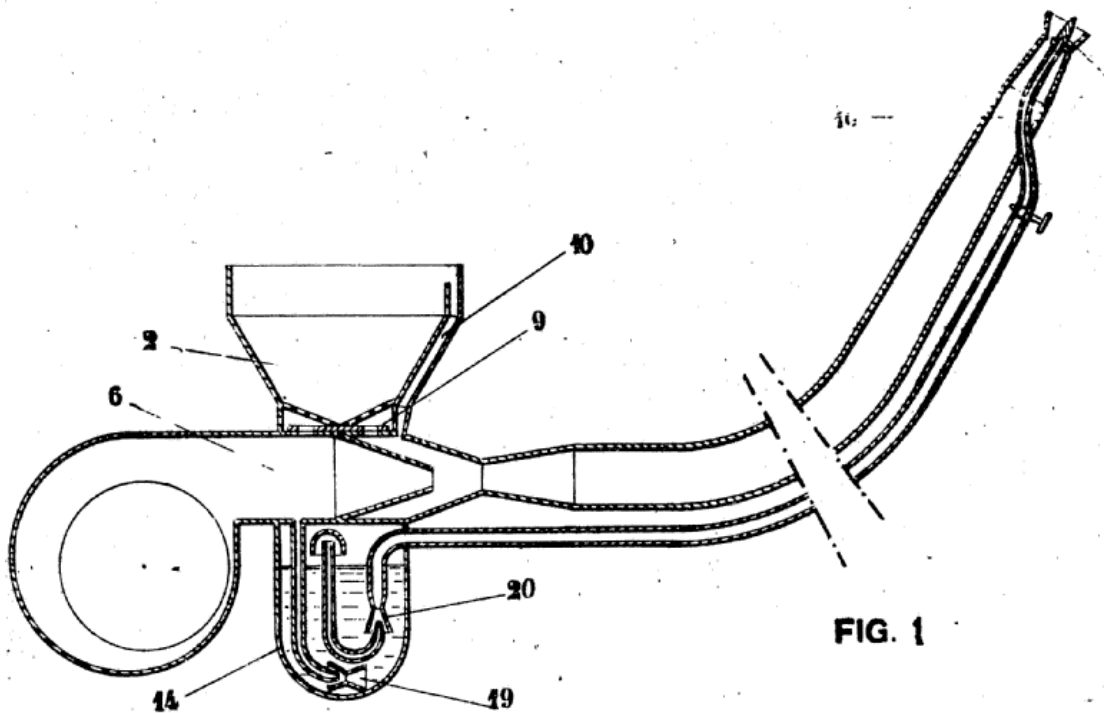
A01M 11/00

Special adaptations or arrangements of combined liquid- and powder-spraying apparatus for purposes covered by this subclass

Definition statement

This place covers:

Example from DE1403369:

**References****Informative references**

Attention is drawn to the following places, which may be of interest for search:

Liquid spraying apparatus	A01M 7/00
Powder spraying apparatus	A01M 9/00
Fertiliser distributors	A01C 15/00
Spraying apparatus in general	B05B

A01M 13/00

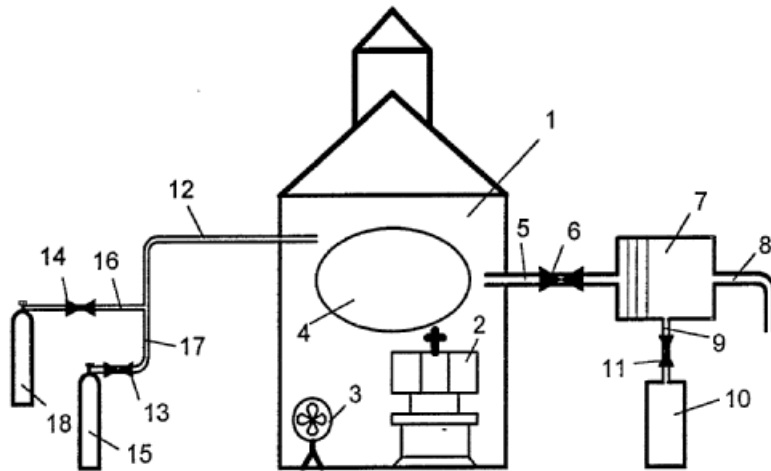
Fumigators; Apparatus for distributing gases {(poisoning or narcotising insects by vaporising an insecticide [A01M 1/2022](#))}

Definition statement

This place covers:

Apparatus for fumigating e.g. shipping containers, buildings, furniture and rats in holes

Example from DE19708669:



References

Limiting references

This place does not cover:

Poisoning or narcotising insects by vaporising an insecticide	A01M 1/2022
---	-----------------------------

Informative references

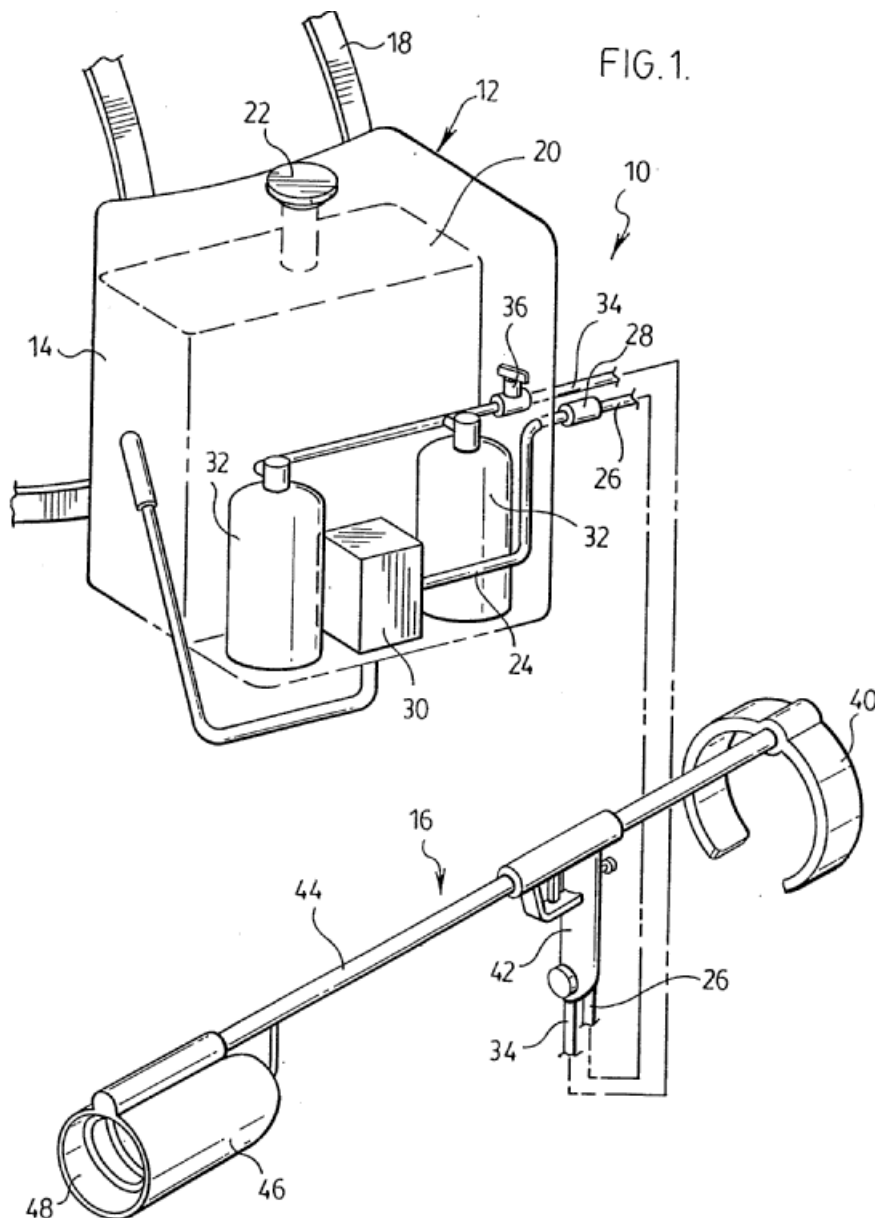
Attention is drawn to the following places, which may be of interest for search:

Domestic appliance for vaporizing an insecticide	A01M 1/00
Destruction of vermin in clothes and foodstuff	A01M 17/00
Scaring and repelling	A01M 29/00
Injection of fertilizers in the roots of trees	A01G 29/00
Deodorisation of air	A61L 9/00

A01M 15/00**Flame-throwers specially adapted for purposes covered by this subclass****Definition statement**

This place covers:

Example from WO2004070269:

**References****Informative references**

Attention is drawn to the following places, which may be of interest for search:

Destruction of weeds	A01M 21/00
Flame-throwers in general	F41H 9/02

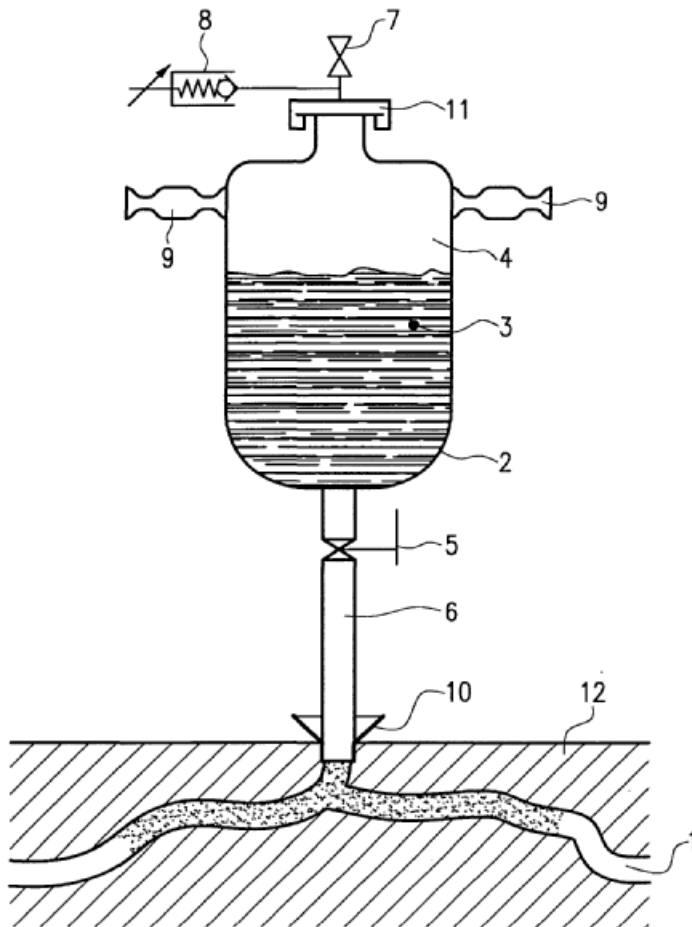
A01M 17/00

Apparatus for the destruction of vermin in soil or in foodstuffs {(injecting fertilisers into the roots of trees [A01G 29/00](#))}

Definition statement

This place covers:

Example from DE19844718:

**References****Limiting references**

This place does not cover:

Injecting fertilizers into the roots of trees	A01G 29/00
---	----------------------------

Informative references

Attention is drawn to the following places, which may be of interest for search:

Killing insects	A01M 1/00
Fumigators	A01M 13/00
Destruction of animals using steam, hot air or electricity	A01M 19/00

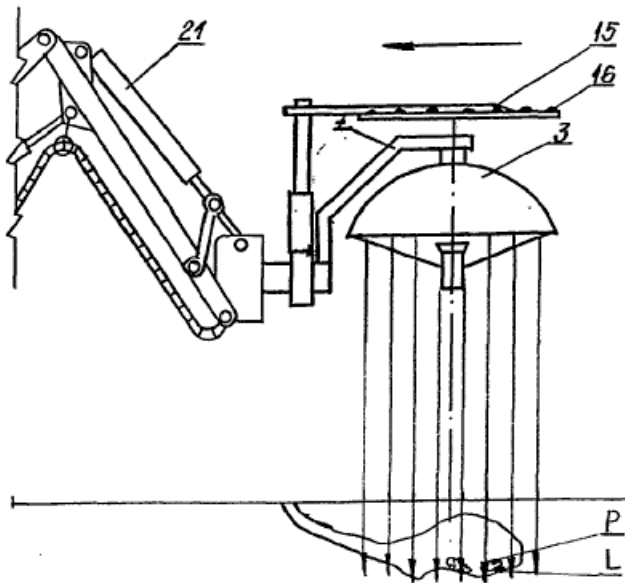
A01M 19/00

Apparatus for the destruction of noxious animals, other than insects, by hot water, steam, hot air, or electricity {(electric traps [A01M 23/38](#))}

Definition statement

This place covers:

Example from WO0176362:

**References****Limiting references**

This place does not cover:

Electric traps	A01M 23/28
----------------	----------------------------

Informative references

Attention is drawn to the following places, which may be of interest for search:

Destruction of insects	A01M 1/00 , A01M 3/00 , A01M 5/00
Flame-throwers	A01M 15/00
Destruction of weeds	A01M 21/00
Scaring and repelling	A01M 29/00

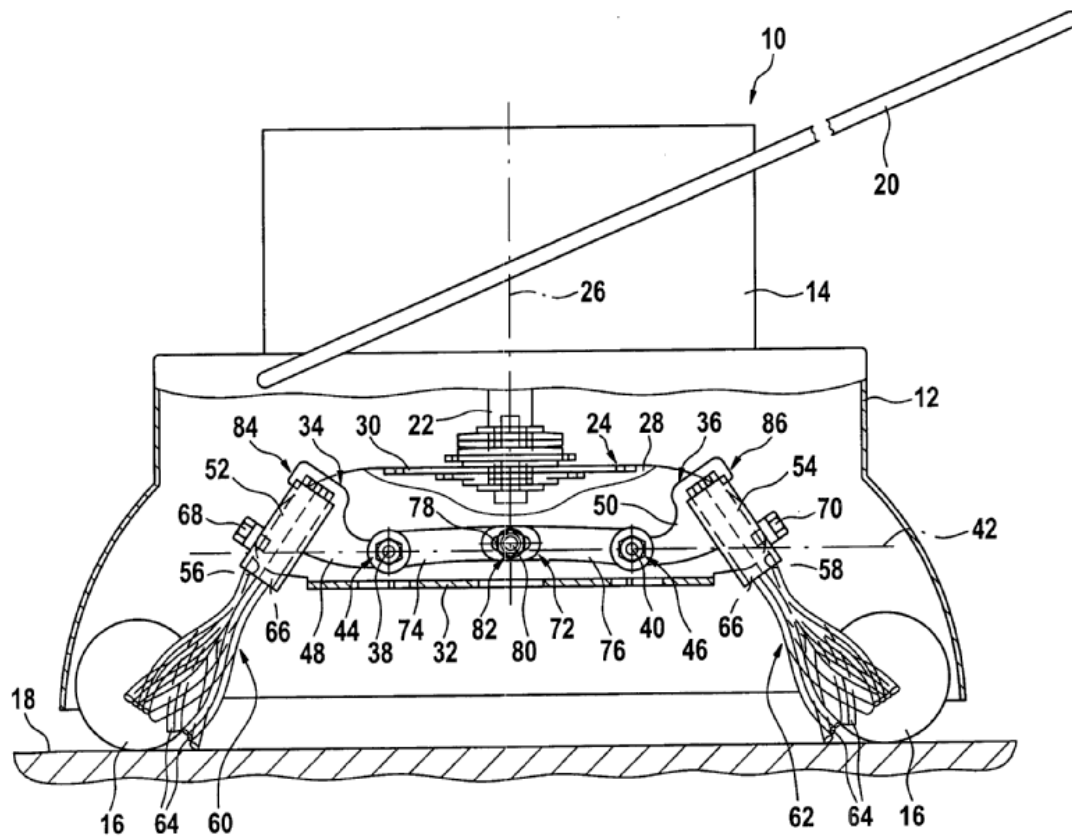
A01M 21/00

Apparatus for the destruction of unwanted vegetation, e.g. weeds (control of undesirable vegetation on roads or permanent ways of railways [E01H 11/00](#))

Definition statement

This place covers:

Example from DE202005014568U:

**References****Limiting references**

This place does not cover:

Control of undesirable vegetation on roads or permanent ways of railways	E01H 11/00
--	----------------------------

Informative references

Attention is drawn to the following places, which may be of interest for search:

Liquid spraying	A01M 7/00
Flame-throwers	A01M 15/00
Destruction of animals using steam or electricity	A01M 19/00
Hand-tools for uprooting weeds	A01B 1/00

Machines for working soil and weeding	A01B 39/00
Biocides, plant growth regulators	A01N 25/00 A01N 65/00
Spraying or atomising apparatus in general	B05B
Soil-conditioning or soil-stabilising materials	C09K 17/00

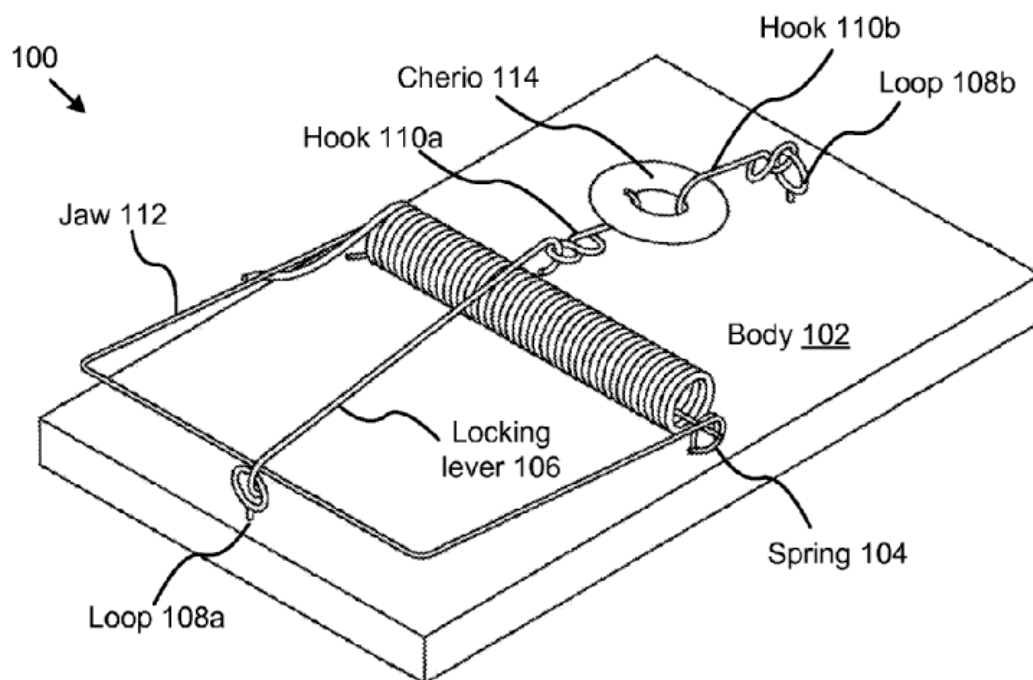
A01M 23/00

Traps for animals

Definition statement

This place covers:

Example from US2012297661:



References

Informative references

Attention is drawn to the following places, which may be of interest for search:

Traps for insects	A01M 1/00
Bait stations	A01M 25/00
Detection of animals	A01M 31/00
Housing animals	A01K 1/00

A01M 25/00

Devices for dispensing poison for animals ([A01M 27/00](#) takes precedence; for insects [A01M 1/20](#))

Definition statement

This place covers:

Example from WO2011142740:

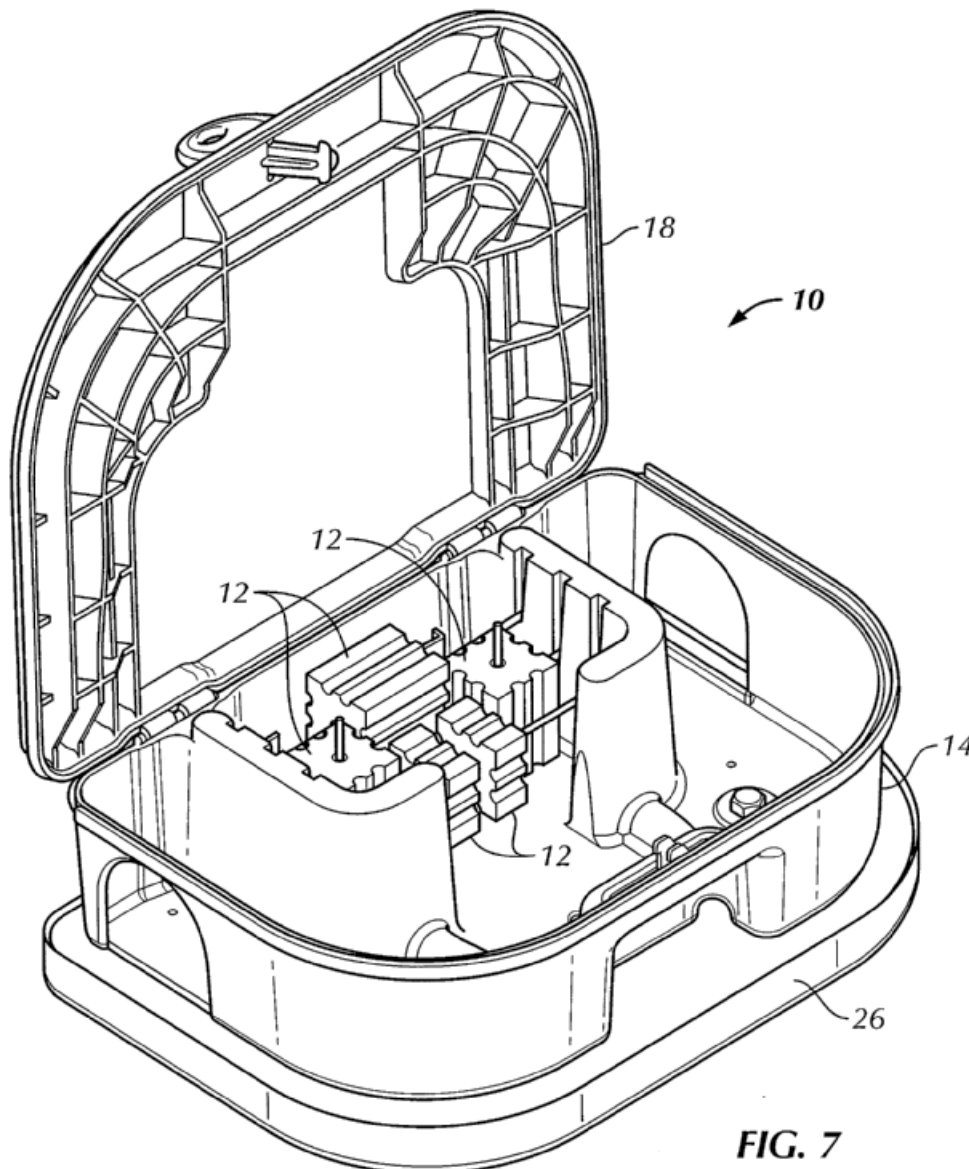


FIG. 7

References**Limiting references**

This place does not cover:

Dispensing poison to insects	A01M 1/20
Apparatus having projectiles or killing implements projected to kill the animal	A01M 27/00

Informative references

Attention is drawn to the following places, which may be of interest for search:

Bait stations for insects	A01M 1/00
Fumigators	A01M 13/00
Destruction of vermin in foodstuff	A01M 17/00
Devices or methods for introducing solid, liquid, or gaseous remedies or other materials into or onto the bodies of animals	A61D 7/00

A01M 27/00

Apparatus having projectiles or killing implements projected to kill the animal, e.g. pierce or shoot, and triggered thereby

Definition statement

This place covers:

Example from US2012000114:

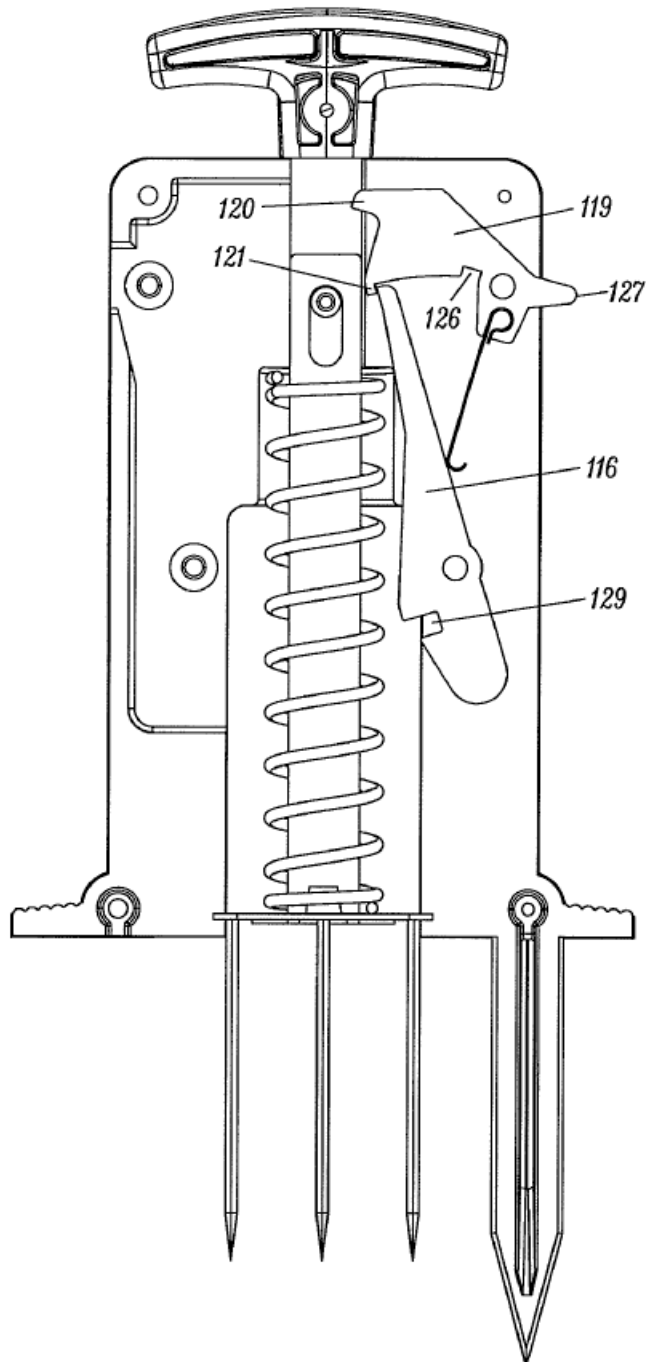


FIG. 10

References

Informative references

Attention is drawn to the following places, which may be of interest for search:

Destruction by steam, hot air or electricity	A01M 19/00
Animal traps	A01M 23/00
Detection of animals	A01M 31/00
Smallarms, e.g. pistols, rifles	F41C

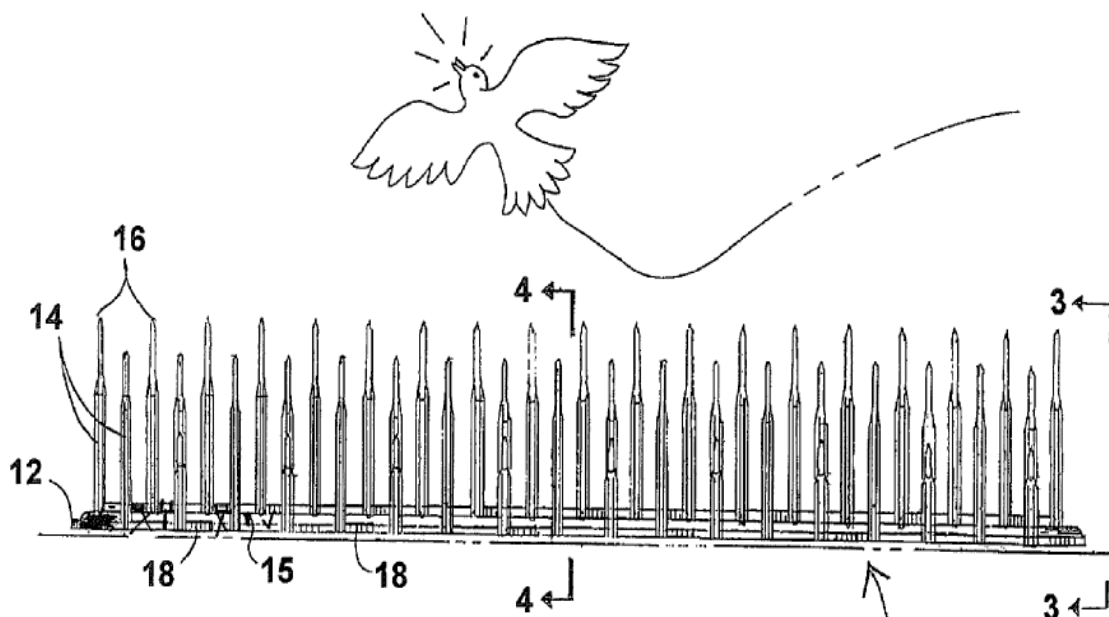
A01M 29/00

Scaring or repelling devices, e.g. bird-scaring apparatus

Definition statement

This place covers:

Example from US2010013123:



References

Informative references

Attention is drawn to the following places, which may be of interest for search:

Catching or killing insects	A01M 1/00
Destruction of animals by steam, hot air or electricity	A01M 19/00
Trapping animals	A01M 23/00
Poisoning animals	A01M 25/00

Glossary of terms

In this place, the following terms or expressions are used with the meaning indicated:

Repelling	means no killing and no trapping
-----------	----------------------------------

A01M 31/00

Hunting appliances

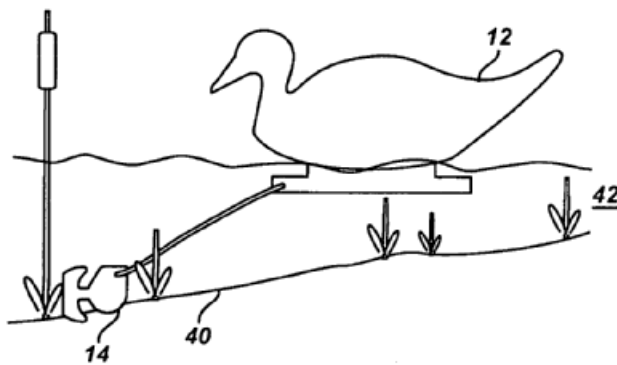
Definition statement

This place covers:

Hunting,

Detecting and monitoring the presence of prey animals

Example from WO2012057814:



References

Informative references

Attention is drawn to the following places, which may be of interest for search:

Vaporizing insecticide	A01M 1/00
Detecting the presence of insects	A01M 1/00
Repelling substance;	A01M 29/00
Slaughtering	A22B

A01M 31/02

Shooting stands

References

Informative references

Attention is drawn to the following places, which may be of interest for search:

Folding seats	A47C
---------------	----------------------