

EUROPEAN PATENT OFFICE
U.S. PATENT AND TRADEMARK OFFICE

CPC NOTICE OF CHANGES 669

DATE: MAY 1, 2019

PROJECT MP0370

The following classification changes will be effected by this Notice of Changes:

<u>Action</u>	<u>Subclass</u>	<u>Group(s)</u>
SCHEME:		
Titles Changed:	A63B	6/00, 6/02
	A63B	19/00, 19/02
	A63B	21/0608
	A63B	27/00
	A63B	29/021
	A63B	31/00
	A63B	35/00
	A63B	39/025
	A63B	43/04
	A63B	47/008
	A63B	55/404
	A63B	65/02, 65/10
	A63B	67/02, 67/04, 67/10, 67/20
DEFINITIONS:		
Definitions New:	A63B	5/11, 5/22
	A63B	2009/006, 2009/008
	A63B	15/02
	A63B	19/02
	A63B	39/06
	A63B	55/61
	A63B	67/045, 67/086, 67/20
	A63B	2102/00, 2209/10
	A63B	2225/08, 2225/72
	A63B	2243/00
	A63B	2244/00, 2244/088
Definitions Modified:	A63B	1/00
	A63B	6/00
	A63B	15/00
	A63B	19/00
	A63B	27/00
	A63B	29/02, 29/021, 29/08
	A63B	31/00
	A63B	35/00
	A63B	43/00, 43/002, 43/007, 43/04
	A63B	45/00
	A63B	49/00, 49/08, 49/10
	A63B	55/00, 55/20, 2055/403, 55/404, 55/408
	A63B	61/003
	A63B	63/00
	A63B	65/02, 65/10, 65/12, 65/122

CPC NOTICE OF CHANGES 669

DATE: MAY 1, 2019

PROJECT MP0370

<u>Action</u>	<u>Subclass</u>	<u>Group(s)</u>
	A63B	67/02, 67/04, 67/06, 67/10, 67/14, 67/18

No other subclasses/groups are impacted by this Notice of Changes.

This Notice of Changes includes the following *[Check the ones included]:*

1. CLASSIFICATION SCHEME CHANGES

- A. New, Modified or Deleted Group(s)
- B. New, Modified or Deleted Warning(s)
- C. New, Modified or Deleted Note(s)
- D. New, Modified or Deleted Guidance Heading(s)

2. DEFINITIONS

- A. New or Modified Definitions (Full definition template)
- B. Modified or Deleted Definitions (Definitions Quick Fix)

- 3. REVISION CONCORDANCE LIST (RCL)
- 4. CHANGES TO THE CPC-TO-IPC CONCORDANCE LIST (CICL)
- 5. CHANGES TO THE CROSS-REFERENCE LIST (CRL)

CPC NOTICE OF CHANGES 669

DATE: MAY 1, 2019

PROJECT MP0370

1. CLASSIFICATION SCHEME CHANGES

A. New, Modified or Deleted Group(s)**SUBCLASS A63B APPARATUS FOR PHYSICAL TRAINING, GYMNASTICS, SWIMMING, CLIMBING, OR FENCING; BALL GAMES; TRAINING EQUIPMENT**

<u>Type*</u>	<u>Symbol</u>	<u>Indent Level Number of dots (e.g. 0, 1, 2)</u>	<u>Title</u> <u>“CPC only” text should normally be enclosed in {curly brackets}**</u>	<u>Transferred to#</u>
M	A63B 6/00	0	Mats or the like for absorbing shocks for jumping, gymnastics or the like	
M	A63B 6/02	1	for landing, e.g. for pole vaulting	
M	A63B 19/00	0	Hoop exercising apparatus {(A63B21/0608 takes precedence)}	
M	A63B 19/02	1	Freely-movable rolling hoops, e.g. gyrowheels {or spheres or cylinders, carrying the user inside (resisting devices overcoming gyroscopic forces of rotating bodies A63B21/22; standing on it for equilibrium exercises A63B26/003)}	
M	A63B 21/0608	2	{Eccentric weights put into orbital motion by nutating movement of the user}	
M	A63B 27/00	0	Apparatus for climbing poles, trees, or the like ({ropes A63B29/02;} safety belts for climbers A62B35/00)	
M	A63B 29/021	2	{Means for indicating the location of accidentally buried, e.g. snow-buried, persons}	
M	A63B31/00	0	Swimming aids (teaching swimming A63B69/10 - A63B69/14; life-saving in water {, e.g. life-buoys, life-belts,} B63C9/00)	
M	A63B35/00	0	Swimming framework {, i.e. apparatus fixed to or held by the swimmer or diver,} with driving mechanisms operated by the swimmer or by a motor (other vessels or like floating structures for pleasure or sport B63B35/71, B63B35/73; divers' sleds or like craft B63C11/46)	
M	A63B 39/025	2	{using containers with pressurising means for balls not in use}	
M	A63B 43/04	1	with an eccentric centre of gravity; with mechanism for changing the centre of gravity (solid balls A63B37/10)	
U	A63B47/00	0	Devices for handling or treating balls {, e.g. for holding or carrying balls}	

CPC NOTICE OF CHANGES 669

DATE: MAY 1, 2019

PROJECT MP0370

Type*	Symbol	Indent Level Number of dots (e.g. 0, 1, 2)	Title “CPC only” text should normally be enclosed in {curly brackets}**	Transferred to#
M	A63B 47/008	1	{Devices for measuring or verifying ball characteristics}	
M	A63B55/404	1	{Covers or hoods for golf bags}	
M	A63B 65/02	1	Spears or the like {; Javelins}	
M	A63B 65/10	1	Discus discs; Quoits	
M	A63B 67/02	1	Special golf games, e.g. miniature golf {or golf putting games played on putting tracks; putting practice apparatus having an elongated platform as a putting track}	
M	A63B 67/04	1	Table games physically beneficial for the human body, modelled on outdoor sports, e.g. table tennis (other table games A63F)	
M	A63B67/10	1	Games with thread-suspended or swingably-mounted bodies, e.g. balls, pointed bodies shaped as birds, animals, or the like, for aiming at and hitting targets (games using a bat with a ball tethered thereto A63B67/20, pin games with tethered balls A63D7/00) {; Games using tethered bodies, e.g. balls, not otherwise provided for}	
M	A63B67/20	1	Games using a bat{ or racket} with a ball {or other body} tethered thereto	

*N = new entries where reclassification into entries is involved; C = entries with modified file scope where reclassification of documents from the entries is involved; Q = new entries which are firstly populated with documents via administrative transfers from deleted (D) entries. Afterwards, the transferred documents into the Q entry will either stay or be moved to more appropriate entries, as determined by intellectual reclassification; T= existing entries with enlarged file scope, which receive documents from C or D entries, e.g. when a limiting reference is removed from the entry title; M = entries with no change to the file scope (no reclassification); D = deleted entries; F = frozen entries will be deleted once reclassification of documents from the entries is completed; U = entries that are unchanged.

NOTES:

- **No {curly brackets} are used for titles in CPC only subclasses, e.g. C12Y, A23Y; 2000 series symbol titles of groups found at the end of schemes (orthogonal codes); or the Y section titles. The {curly brackets} are used for 2000 series symbol titles found interspersed throughout the main trunk schemes (breakdown codes).
- U groups: it is obligatory to display the required “anchor” symbol (U group), i.e. the entry immediately preceding a new group or an array of new groups to be created (in case new groups are not clearly subgroups of C-type groups). Always include the symbol, indent level and title of the U group in the table above.
- All entry types should be included in the scheme changes table above for better understanding of the overall scheme change picture. Symbol, indent level, and title are required for all types.
- “Transferred to” column must be completed for all C, D, F, and Q type entries. F groups will be deleted once reclassification is completed.
- When multiple symbols are included in the “Transferred to” column, avoid using ranges of symbols in order to be as precise as possible.
- For administrative transfer of documents, the following text should be used: “< administrative transfer to XX>”, “<administrative transfer to XX and YY simultaneously>”, or “<administrative transfer to XX, YY ...and ZZ simultaneously>” when administrative transfer of the same documents is to more than one place.

CPC NOTICE OF CHANGES 669

DATE: MAY 1, 2019

PROJECT MP0370

- Administrative transfer to main trunk groups is assumed to be the source allocation type, unless otherwise indicated.
- Administrative transfer to 2000/Y series groups is assumed to be “additional information”.
- If needed, instructions for allocation type should be indicated within the angle brackets using the abbreviations “ADD” or “INV”: <administrative transfer to XX ADD> , <administrative transfer to XX INV>, or < administrative transfer to XX ADD, YY INV, ... and ZZ ADD simultaneously>.
- In certain situations, the “D” entries of 2000-series or Y-series groups may not require a destination (“Transferred to”) symbol, however it is required to specify “<no transfer>” in the “Transferred to” column for such cases.
- For finalisation projects, the deleted “F” symbols should have <no transfer> in the “Transferred to” column.
- For more details about the types of scheme change, see CPC Guide.

DATE: MAY 1, 2019

PROJECT MP0370

2. A. DEFINITIONS (New)

Insert the following new definitions.

A63B 5/11

References

Informative references

Attention is drawn to the following places, which may be of interest for search:

Resilient force-resisters	A63B 21/02
Protective housings covering the working parts of the apparatus	A63B 2071/009
Games similar to volleyball or basketball and played on trampolines or the like, e.g. "Spaceball" or "Aeroball"	A63B 2067/005
Jumping devices used for lowering persons from buildings or the like	A62B 1/22

Special rules of classification

Elastic means, e.g. springs connecting the mat with the frame of a trampoline are classified both in [A63B 5/11](#) and [A63B 21/02](#) and subgroups.

A63B 5/22

References

Informative references

Attention is drawn to the following places, which may be of interest for search:

Athletics hurdles	A63K 3/043
Hurdling	A63B 2244/088
Walk exercisers without moving parts	A63B 23/0464
Slalom gate poles, posts or marking sticks for sport fields	A63C 19/062
Road signs or traffic signals in the form of a three-dimensional body, e.g. cones	E01F 9/654

DATE: MAY 1, 2019

PROJECT MP0370

A63B 2009/006**References****Informative references***Attention is drawn to the following places, which may be of interest for search:*

Amusement arrangements	A63G 31/00
------------------------	----------------------------

A63B 2009/008**References****Informative references***Attention is drawn to the following places, which may be of interest for search:*

Amusement arrangements involving water	A63G 31/007
--	-----------------------------

A63B 15/02**References****Informative references***Attention is drawn to the following places, which may be of interest for search:*

Exercising or sporting devices provided with means enabling use in the dark	A63B 2207/00
Powered illuminating means	A63B 2207/02

A63B 19/02**References****Limiting references***This place does not cover:*

Resisting devices overcoming gyroscopic forces of rotating bodies	A63B 21/22
Standing on it for equilibrium exercises	A63B 26/003

DATE: MAY 1, 2019

PROJECT MP0370

Informative references*Attention is drawn to the following places, which may be of interest for search:*

Spherical hulls or hulls in the shape of a vertical ring for use in water	B63B 1/047
---	----------------------------

A63B 39/06**References****Informative references***Attention is drawn to the following places, which may be of interest for search:*

Finite element generation, e.g. wire-frame surface description, tessellation	G06T 17/20
Computer-aided design	G06F 17/50

A63B 55/61**References****Informative references***Attention is drawn to the following places, which may be of interest for search:*

Motor vehicles	B62D
----------------	----------------------

A63B 67/045**References****Informative references***Attention is drawn to the following places, which may be of interest for search:*

Nets for table tennis, i.e. not the support but only the net itself	A63B 61/003
---	-----------------------------

DATE: MAY 1, 2019

PROJECT MP0370

A63B 67/086**References****Informative references**

Attention is drawn to the following places, which may be of interest for search:

Clubs, e.g. for swinging exercises	A63B15/00
------------------------------------	---------------------------

Special rules of classification

Juggling clubs are classified as follows: [A63B 15/00](#) (invention information) and [A63B 67/086](#) (additional information).

A63B 67/20**References****Informative references**

Attention is drawn to the following places, which may be of interest for search:

Bats tethered to a line or cord	A63B 69/0079
Pin games with tethered balls	A63D 7/00
Tethered playing balls or other tethered playing bodies	A63F 2007/4087
Tethered playing balls or other tethered playing bodies supported on a tethering arm	A63F 2007/4093

A63B 2102/00**Special rules of classification**

This group and its corresponding subgroups only are used when the relevant sport/s is/are not unambiguously clear from any other of the symbols allocated.

DATE: MAY 1, 2019

PROJECT MP0370

A63B 2209/10

Definition statement

This place covers:

Any kind of adhesive surface in the sport equipment apparatus, e.g. low-tack pressure sensitive adhesives, not only for hook-and loop type of fastener.

A63B 2225/08

References

Informative references

Attention is drawn to the following places, which may be of interest for search:

Golf tees with writing means	A63B 57/18
------------------------------	----------------------------

A63B 2225/72

References

Informative references

Attention is drawn to the following places, which may be of interest for search:

Stopping the operation of the apparatus	A63B 2071/0081
---	--------------------------------

A63B 2243/00

Special rules of classification

This group and its corresponding subgroups are only used when the relevant sport/s is/are not unambiguously clear from any other of the symbols allocated.

DATE: MAY 1, 2019

PROJECT MP0370

A63B 2244/00

Special rules of classification

The corresponding subgroups of this subgroup are only used when the relevant sport/s is/are not unambiguously clear from any other of the symbols allocated.

A63B 2244/088

Definition statement

This place covers:

Running and jumping over an obstacle at speed.

References

Informative references

Attention is drawn to the following places, which may be of interest for search:

Hurdles or the like and athletic hurdles	A63K 3/04 , A63K 3/043
Road signs or traffic signals in the form of a three-dimensional body	E01F 9/654

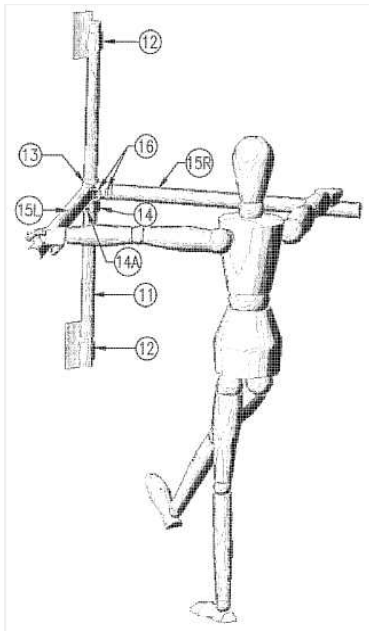
DATE: MAY 1, 2019

PROJECT MP0370

2. A. DEFINITIONS (Modified)

A63B 1/00

Replace: The existing image in the definition statement section with the following new image.



Delete: The entire existing Limiting references section: heading, preamble and table.

Insert: The following new Informative references section.

Informative references

Attention is drawn to the following places, which may be of interest for search:

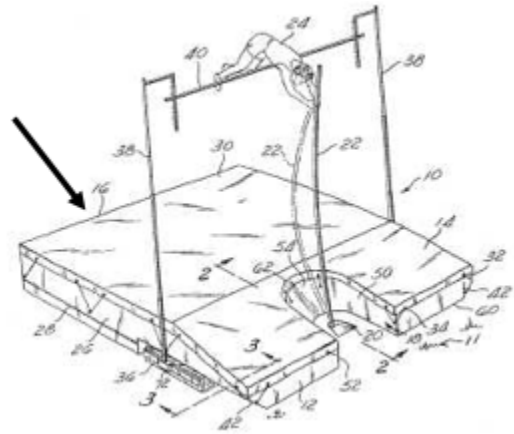
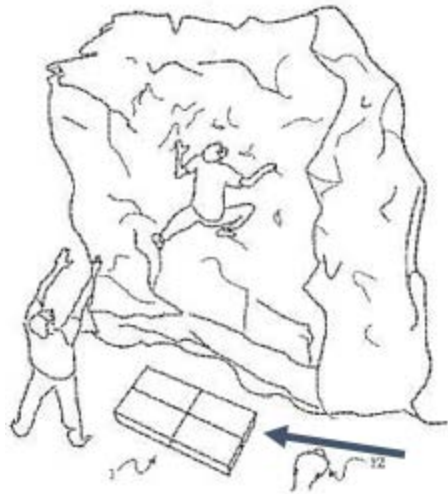
Bars for chinning, pull-ups	A63B 23/1218
Athletics hurdles	A63K 3/043

A63B 6/00

Definition statement

Replace: The two existing images in the Definition statement section with the following new text and two new images.

Mats as illustrated.



Delete: The entire existing Limiting references section: heading, preamble and table with five rows.

DATE: MAY 1, 2019

PROJECT MP0370

Informative reference

Insert: The following five new rows in the existing Informative references table.

Small and/or yoga mats	A63B 21/4037
Mats for jogging on the spot	A63B 69/0035
Mats for golf practice	A63B 69/3661
Stuffed or fluid mattresses specially adapted for chairs, beds or sofas	A47C 27/00
Resiliently mounted floors	E04F 15/22

A63B 15/00

Definition statement

Replace: In the Definition statement section, the two existing images and this text (References to the movement...in A63B 21/00)with the following new text and two images.

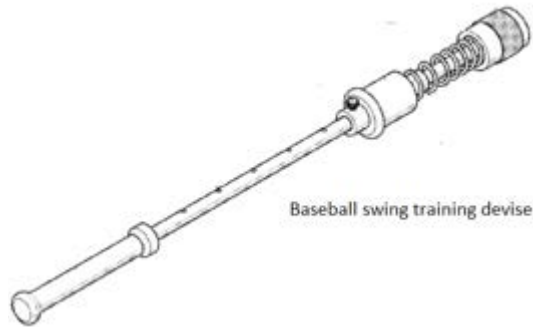
Items as shown in illustrations.



Golf training device for hitting zone. Exercises are repetitive.

DATE: MAY 1, 2019

PROJECT MP0370



Informative references

Insert: The following four new rows in the existing Informative references table.

Resistances to the movement of the club	A63B 21/00
Special means for attachment of arms or hands to exercising or sports equipment	A63B 21/4017
Juggling games using sticks or discs	A63B 67/086
Normal golf clubs with directly attached weights for training	A63B 69/3638

Replace: Only the text in this existing row: “Substantially flexible shaft” with the following text.

Substantially flexible shafts, hinged shafts	A63B 2060/0081
--	--------------------------------

A63B 19/00

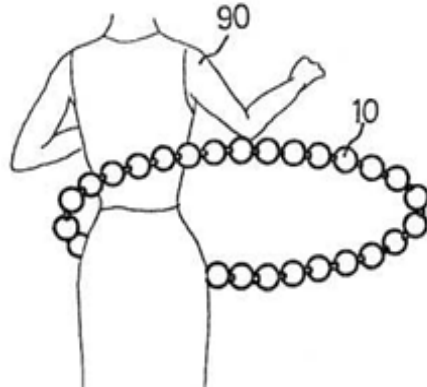
Definition statement

Replace: The existing text and image in the Definition statement section with the following revised text and image.

Non-eccentric hoop exercisers (e.g. Hula hoops). The following image show a hoop 10 positioned to engage with a portion of the waist of person 90.

DATE: MAY 1, 2019

PROJECT MP0370



Limiting references

Delete: The following two existing rows from the Limiting references table.

Rolling drums	A63G 29/00
Hoop movement apparatuses not driven by the user, e.g. motor driven	A63G 31/00

Informative references

Replace: The three existing rows with the following updated rows (updated so the first letter of the first word in each row is being capitalized).

Space saving	A63B 2210/00
Used in water	A63B 2225/60
Inflatable	A63B 2225/62

Insert: The following four new rows in the Informative references table.

Toy hoops, i.e. rings to be rolled by separate sticks	A63H 33/02
Spinning hoops, whirling amusement devices, orbiting toys	A63F 7/382
Rolling drums, turning somersaults with or without rolling seats	A63G 29/00
Hoop movement apparatuses not driven by the user, e.g. motor driven	A63G 31/00

DATE: MAY 1, 2019

PROJECT MP0370

A63B 27/00

Insert: The following new Relationships with other classification places section.

Relationships with other classification places

A pump jack travelling on pole is to be classified here or in subgroups and, when relevant, also in [B66F 1/02](#), [B66F 19/00](#), and/or [E04G 1/20](#).

Limiting references

Insert: The following new row in the Limiting references table.

Ropes	A63B 29/02
-------	----------------------------

Delete: The following row from the Limiting references table.

Devices preventing persons from falling from ladders	E06C 7/08
--	---------------------------

Informative references

Insert: The following new row in the Informative references table.

Devices preventing persons from falling from ladders	E06C 7/08
--	---------------------------

Delete: The following row from the Informative references table.

Ropes	A63B 29/02
Safety belts for climbers	A62B 35/00

DATE: MAY 1, 2019

PROJECT MP0370

A63B 29/02

Special rules of classification

Replace: In the Special rules of classification section the text “For example:” and the image below the text with the following new text.

For example, the document EP0752255 A1 is classified as follows (multiple entry classification in different classes): [A62B 1/14](#), [A62B 35/04](#), [A63B 29/02](#).

A63B 29/021

Relationships with other classification places

Delete: The entire Relationships with other classification places section.

Relationships with other classification places

Distress signals	G08B 5/002
------------------	------------

Informative references

Insert: The following two new rows in the Informative references table.

Devices allowing a buried person to escape or draw attention, e.g. avalanche airbags	A62B 33/00
Distress signalling devices	G08B 5/002

Special rules of classification

Replace: The word “Means” in the Special rules of classification section with the following words.

Mechanical means

DATE: MAY 1, 2019

PROJECT MP0370

A63B 29/08**Special rules of classification**

Delete: The entire Special rules of classification section.

Insert: The following three new sections.

Definition statement

This place covers:

Hand equipment for climbers e.g. ice axes, chalk bags.

Relationships with other classification places

For chalk bags for climbing multiple classification applies: See also:

Sacks or packs carried on the body by means of a single strap around the waist	A45F 3/005
Holder or carriers for use while travelling or camping fastened to the belt	A45F 5/021
Sport bags	A45C 2003/007

Informative references

Attention is drawn to the following places, which may be of interest for search:

Walking/Climbing sticks	A45B
Ski-sticks	A63C 11/22
Apparatus for climbing poles, trees, or the like	A63B 27/00

DATE: MAY 1, 2019

PROJECT MP0370

A63B 31/00

Insert: The following new Relationships with other classification places section.

Relationships with other classification places

Body flotation supports, e.g. for children, are to be classified in [B63C 9/00](#) and subgroups (see, e.g. [B63C 9/08](#) and [B63C 9/13](#)), even if they do not fit the definition "life-saving".

In [B63C 9/00](#) and subgroups, the sole purpose of the device is to provide enough flotation for people - under distress – to stay afloat. It is designed with the capacity to maintain a person afloat.

On the other hand, [A63B 31/00](#) relates to swimming aids, i.e. devices which do not necessarily provide a flotation capacity sufficient to maintain a person afloat and are intended to help swimming. "Swimming" needs to be understood as an active movement by the user and not simply staying afloat.

There are inevitably overlaps, so double classification might be needed.

Limiting references

Delete: The following two existing rows in the Limiting references table.

- Hydraulic force resistors for exercising	A63B 21/0084
Body floating supports for relaxation	A61H 37/005

Insert: The following two replacement rows in the Limiting references table.

Apparatus for teaching swimming or training	A63B 69/10 , A63B 69/12
Swimming boards and other teaching frames for swimming	A63B 69/14

DATE: MAY 1, 2019

PROJECT MP0370

Informative referencesDelete: The following two existing rows in the Informative references table.

Teaching swimming	A63B 69/10, A63B 69/12
Life-saving in water, e.g. life-buoys, life-belts	B63C 9/00

Insert: The following rows in the Informative references table.

Body floating supports for relaxation in water	A61H 37/005
Exercise apparatus with counterforce generated by moving the ambient water (hydraulic force resistors for exercising)	A63B 21/0084
Vessels or like floating structures for pleasure or sport	B63B 35/73
Rafts, i.e. free floating waterborne vessels, of shallow draft, with little or no freeboard, and having a platform or floor for supporting a user	B63B 35/58
Body-boards, i.e. surfboards specially adapted for use by users in prone position; Planing members attachable to, or held by body-surfers	B63B 2035/7903
Toy boats; Floating toys; Other aquatic toy devices	A63H 23/00

Special rules of classificationDelete: The entire Special rules of classification section.**A63B 35/00**Insert: The following new reference section: Limiting references.**Limiting references***This place does not cover:*

Canoes, kayaks or the like; Other vessels or like floating structures for pleasure or sport	B63B 35/71 , B63B 35/73
Divers' sleds or like craft	B63C 11/46

DATE: MAY 1, 2019

PROJECT MP0370

Informative references

Delete: The entire Informative references section.

A63B 43/00

Informative references

Delete: The following row in the Informative references table.

Feathered missiles, e.g. shuttlecocks	A63B 67/183
---------------------------------------	-------------

Insert: The following new row in the Informative references table.

Playing balls or other moving playing bodies, e.g. pinballs or discs used instead of balls	A63F 7/40
--	-----------

A63B 43/002

Insert: The following new Special rules of classification section.

Special rules of classification

American Footballs are to be classified always in [A63B 43/002](#) and [A63B 2243/007](#). For American Footballs lacing system, classify in [A63B 41/085](#).

DATE: MAY 1, 2019

PROJECT MP0370

A63B 43/007**Informative references**Insert: The following new row in the Informative references table.

Tethered playing balls or other tethered playing bodies	A63F 2007/4087
---	----------------

A63B 43/04**Limiting references**Delete: The following row from the Limiting references table.

Motorised rolling toys	A63H 33/005
------------------------	-------------

Insert: The following new Informative references section.**Informative references**

Attention is drawn to the following places, which may be of interest for search:

Motorised rolling toys	A63H 33/005
------------------------	-------------

A63B 45/00**Limiting references**Delete: The following row from the Limiting references table.

Manufacture of vulcanised rubber balls	B29H 7/02
--	-----------

Insert: The following new row in the Limiting references table.

Working of plastics or substances in a plastic state	B29
--	-----

DATE: MAY 1, 2019

PROJECT MP0370

Informative references

Delete: The entire Informative references section: heading, preamble, and table.

A63B 49/00

Informative references

Insert: The following new row in the Informative references table.

Shaping of plastics for rackets	B29L 2031/5245
---------------------------------	--------------------------------

Special rules of classification

Delete: In the Special rules of classification section, the following symbol and comma.

A63B 59/00,

A63B 49/08

Relationships with other classification places

Replace: All of the text in the Relationships with other classification places section with the following text.

See also [B25G 1/00](#) for handle constructions and [B25G 3/00](#) for attaching handles to implements on a shaft.

DATE: MAY 1, 2019

PROJECT MP0370

A63B 49/10

Insert: The following new References/Informative references section.

References

Informative references

Attention is drawn to the following places, which may be of interest for search:

Shafts, e.g. non-metallic shafts, for golf clubs	A63B 53/10
Documents relating to methods of manufacturing composite shafts	B29C
Shaping composites, i.e. plastics material comprising reinforcements, fillers or preformed parts, e.g. inserts	B29C 70/00
Layered products characterised by the non-homogeneity or physical structure, i.e. comprising a fibrous, filamentary, particulate or foam layer; Layered products characterised by having a layer differing constitutionally or physically in different parts	B32B 5/00
Manufacture of articles or shaped materials containing macromolecular substances	C08J 5/00

Special rules of classification

Insert: Under the existing paragraph, the following new paragraph in the Special rules of classification section.

Documents relating to methods of manufacturing composite shafts should also be classified in [B29C](#).

A63B 55/00

Definition statement

Replace: In the Definition statement section, the existing text “Golf bags” with the following text:

Golf bags, supports for golf bags while golfing, or caddies with wheels for golf bags.

DATE: MAY 1, 2019

PROJECT MP0370

Limiting referencesDelete: The entire Limiting references section.**Informative references**Insert: The following new rows in the Informative references table.

Stands for golf clubs for use on the course	A63B 55/10
Devices for protection, storage, or transport (e.g. stands or cases) for golf clubs (e.g. head covers and connector means therefor)	A63B 60/62
Sheaths for golf clubs	A63B 60/64
Flexible luggage; Handbags	A45C 3/00
Sport bags	A45C 2003/007
Sacks or packs carried on the body (harness for carrying a golf bag)	A45F 3/00

A63B 55/20Insert: The following new Informative references section.**Informative references**

Attention is drawn to the following places, which may be of interest for search:

Devices for holding or carrying balls	A63B 47/00
Holders for golf balls when not in bags; stands or carriers for golf clubs	A63B 57/20

Limiting referencesDelete: The entire Limiting references section.

A63B 2055/403

Insert: The following new Definition statement section.

Definition statement

This place covers:

Means for locking the clubs in the bag not necessarily only for theft prevention (it could also be, e.g. for holding the clubs into position).

Insert: The following new Informative references section.

Informative references

Attention is drawn to the following places, which may be of interest for search:

Covers or hoods for golf bags	A63B 55/404
-------------------------------	-----------------------------

Limiting references

Delete: The entire Limiting references section.

A63B 55/404

Limiting references

Delete: The entire Limiting references section.

Insert: The following new Informative references section.

Informative references

Attention is drawn to the following places, which may be of interest for search:

Flexible luggage; Handbags	A45C 3/00
Sport bags	A45C 2003/007

DATE: MAY 1, 2019

PROJECT MP0370

Protective covers	A45C 13/002
Covers for club heads	A63B 60/62

A63B 55/408

Limiting references

Delete: The following three rows from the Limiting references table.

Covers or hoods for golf bags	A63B 55/404
Covers for golf club heads	A63B 60/62
Details of carrying straps	A45F 3/00

Insert: The following new Informative references section.

Informative references

Attention is drawn to the following places, which may be of interest for search:

Covers or hoods for golf bags	A63B 55/404
Holders of golfing accessories, e.g. of tees, balls, or golf ball position markers	A63B 57/20
Covers for golf club heads	A63B 60/62
Details of carrying straps	A45F 3/00
Supplementary fittings on vehicle exterior for carrying loads, e.g. luggage, sports gear, or the like	B60R 9/00

A63B 61/003

Insert: The following new Informative references section.

Informative references

Attention is drawn to the following places, which may be of interest for search:

Volleyball	A63B 2243/0095
Tennis	A63B 2102/02

DATE: MAY 1, 2019

PROJECT MP0370

Badminton	A63B 2102/04
Table tennis	A63B 2102/16
Supports for table tennis nets	A63B 67/045
Warp knitting processes for the production of fabrics or articles not dependent on the use of particular machines; Fabrics or articles defined by such processes	D04B 21/00

A63B 63/00

Limiting references

Replace: All of the four rows in the Limiting references table with the one row shown below.

Golf cups	A63B 57/40
-----------	----------------------------

Informative references

Replace: The one row in the Informative references table with the following ten rows shown below.

Targets for games	A63F 9/0278
Fixing nets to objects	F16G 11/00
Targets for weapons	F41J
Dartboards	F41J 3/00
Targets for projectiles other than balls	A63F 9/0204
Targets; Target stands; Target holders	F41J 1/00
Ball rebound walls	A63B 69/0097
Indicating or scoring devices for games or players, or for other sports activities	A63B 71/06
Controlling or monitoring of exercises, sportive games, training or athletic performances	A63B 24/00
Target indicating systems; Target-hit or score detecting systems	F41J 5/00

DATE: MAY 1, 2019

PROJECT MP0370

A63B 65/02

Limiting references

Delete: The entire Limiting references section.

Informative references

Insert: The following new row in the Informative references table.

Darts	F42B 6/003
-------	----------------------------

A63B 65/10

Limiting references

Delete: The entire Limiting references section.

Insert: The following new Informative references section.

Informative references

Attention is drawn to the following places, which may be of interest for search:

Flying disc toys such as frisbees	A63H 33/18
-----------------------------------	----------------------------

A63B 65/12

Limiting references

Delete: The following row from the Limiting references table.

Stationary devices for projecting balls	A63B 69/40
---	----------------------------

DATE: MAY 1, 2019

PROJECT MP0370

Informative references

Insert: The following new row in the Informative references table.

Stationary devices for projecting balls or other bodies	A63B 69/40
---	----------------------------

A63B 65/122

Limiting references

Delete: The entire Limiting references section.

Insert: The following new Informative references section.

Informative references

Attention is drawn to the following places, which may be of interest for search:

Sticks for lacrosse, pelota or similar; hand-held throwing or catching aids	A63B 59/20
Sling weapons	F41B 3/00

A63B 67/02

Informative references

Insert: The following two new rows in the Informative references section.

Inclined platforms for practising drives from slopes	A63B 69/3652
Golf courses and golf practising terrains having a plurality of driving areas, fairways, greens.	A63B 69/3691

DATE: MAY 1, 2019

PROJECT MP0370

A63B 67/04

Limiting references

Delete: The entire Limiting references section.

Informative references

Insert: The following two new rows in the Informative references section.

Tables for table tennis	A47B 25/003
Other table games	A63F

Special rules of classification

Insert: The following text as the first paragraph in the existing Special rules of classification section.

Reference [A63F](#) is non-limiting in the [A63B 67/04](#). CPC will be updated once this inconsistency is resolved.

A63B 67/06

Limiting references

Delete: The entire Limiting references section.

Insert: The following new Informative references section.

Informative references

Attention is drawn to the following places, which may be of interest for search:

Adjusting apparatus; Stands for players for bowling alleys	A63D 1/06
--	---------------------------

DATE: MAY 1, 2019

PROJECT MP0370

Special rules of classification

Insert: The following new text under the existing paragraph in the Special rules of Classification section.

Beer-pong games (also known as "Beirut") are usually classified as follows:

[A63B 67/06](#) – usually when on a table, [A63B 67/066](#) – usually when on the “ground”, plus, additionally, [A63F 2250/024](#) and [A63F 7/0017](#).

Other typical symbols that might be used according to the circumstances might be:

- [A63B 63/08](#) (targets with {substantially} horizontal opening for ball)
- [A63B 2210/50](#) (size reducing arrangements for stowing or transport)
- [A63B 2071/0694](#) (visual indication)
- [A63B 2225/66](#) (cooled)
- [A63B 67/04](#) (table games) and/or [A63B2102/16](#) (table-tennis)
- [F25D 31/008](#) {cooling apparatus for drinking glasses}
- [F25D 2331/809](#) (cooled holders)
- [F25D 2331/812](#) (cooled trays)

A63B 67/10

Insert: The following new Limiting references section.

Limiting references

This place does not cover:

Games using a bat or racket with a body, e.g. a ball tethered thereto	A63B 67/20
Pin games with tethered balls	A63D 7/00

DATE: MAY 1, 2019

PROJECT MP0370

Informative references

Insert: The following new row in the Informative references section.

Tethered playing balls or other tethered playing bodies supported on a tethering arm	A63F 2007/4093
--	--------------------------------

Delete: The following two rows from the Informative references section.

Games using a bat or racket with a body, e.g. a ball tethered thereto	A63B 67/20
Pin games with tethered balls	A63D 7/00

A63B 67/14**Special rules of classification**

Replace: The existing text in the Special rules section with the following text.

This group also covers ice hockey pucks, which are classified both in [A63B 67/14](#) and [A63B 69/0026](#).

A63B 67/18

Replace: The first paragraph with following text.

Apparatus or equipment specially adapted for badminton or similar games with feathered missiles. The games other than badminton include hanetsuki, which is a traditional Japanese game, shuttlecock, and battledore.

Replace: In the third paragraph, these words: "Other example" with the following word:

Example

DATE: MAY 1, 2019

PROJECT MP0370

Informative references

Insert: In the existing Informative references table, the following two new rows.

Badminton	A63B 2102/04
Darts	F42B 6/003

Insert: The following new Special rules of classification section.

Special rules of classification

Shuttlecocks for badminton are classified in [A63B 67/18](#) and [A63B 2102/04](#).