

EUROPEAN PATENT OFFICE
U.S. PATENT AND TRADEMARK OFFICE

CPC NOTICE OF CHANGES 615

DATE: JANUARY 1, 2019

PROJECT MP0313

The following classification changes will be effected by this Notice of Changes:

<u>Action</u>	<u>Subclass</u>	<u>Group(s)</u>
SCHEME:		
Titles Changed:	H05B	35/00
DEFINITIONS:		
Definitions Modified:	H05B	35/00

No other subclasses/groups are impacted by this Notice of Changes.

This Notice of Changes includes the following [Check the ones included]:

1. CLASSIFICATION SCHEME CHANGES

- A. New, Modified or Deleted Group(s)
- B. New, Modified or Deleted Warning(s)
- C. New, Modified or Deleted Note(s)
- D. New, Modified or Deleted Guidance Heading(s)

2. DEFINITIONS

- A. New or Modified Definitions (Full definition template)
- B. Modified or Deleted Definitions (Definitions Quick Fix)

3. REVISION CONCORDANCE LIST (RCL)

4. CHANGES TO THE CPC-TO-IPC CONCORDANCE LIST (CICL)

5. CHANGES TO THE CROSS-REFERENCE LIST (CRL)

CPC NOTICE OF CHANGES 615

DATE: JANUARY 1, 2019

PROJECT MP0313

1. CLASSIFICATION SCHEME CHANGES

A. New, Modified or Deleted Group(s)

SUBCLASS H05B - ELECTRIC HEATING; ELECTRIC LIGHTING NOT OTHERWISE PROVIDED FOR

<u>Type*</u>	<u>Symbol</u>	<u>Indent Level Number of dots (e.g. 0, 1, 2)</u>	<u>Title (new or modified) "CPC only" text should normally be enclosed in {curly brackets}**</u>	<u>Transferred to#</u>
M	H05B 35/00	0	Electric light sources using a combination of different types of light generation	

*N = new entries where reclassification into entries is involved; C = entries with modified file scope where reclassification of documents from the entries is involved; Q = new entries which are firstly populated with documents via administrative transfers from deleted (D) entries. Afterwards, the transferred documents into the Q entry will either stay or be moved to more appropriate entries, as determined by intellectual reclassification; E= existing entries with enlarged file scope, which receive documents from C or D entries, e.g. when a limiting reference is removed from the entry title; M = entries with no change to the file scope (no reclassification); D = deleted entries; F = frozen entries will be deleted once reclassification of documents from the entries is completed; U = entries that are unchanged.

NOTES:

- **No {curly brackets} are used for titles in CPC only subclasses, e.g. C12Y, A23Y; 2000 series symbol titles of groups found at the end of schemes (orthogonal codes); or the Y section titles. The {curly brackets} are used for 2000 series symbol titles found interspersed throughout the main trunk schemes (breakdown codes).
- For U groups, the minimum requirement is to include the U group located immediately prior to the N group or N group array, in order to show the N group hierarchy and improve the readability and understanding of the scheme. Always include the symbol, indent level and title of the U group in the table above.
- All entry types should be included in the scheme changes table above for better understanding of the overall scheme change picture. Symbol, indent level, and title are required for all types except "D" which requires only a symbol.
- #“Transferred to” column must be completed for all C, D, F, and Q type entries. F groups will be deleted once reclassification is completed.
- When multiple symbols are included in the “Transferred to” column, avoid using ranges of symbols in order to be as precise as possible.
- For administrative transfer of documents, the following text should be used: “< administrative transfer to XX>” or “<administrative transfer to XX and YY simultaneously>” when administrative transfer of the same documents is to more than one place.
- Administrative transfer to main trunk groups is assumed to be “invention information”, unless otherwise indicated, and to 2000 series groups is assumed to be “additional information”.

Definition (Modified)

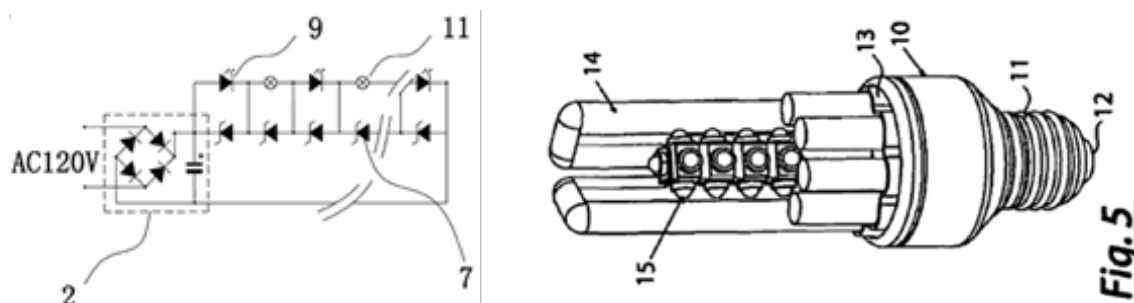
Insert: The following changes into the existing Definition:

H05B 35/00

Definition statement

Replace: The existing Definition statement text with the following new text and images:

Circuits and apparatus for driving two dissimilar light sources, e.g. diverse light sources or light generators, e.g. a compact fluorescent lamp and LEDs (see illustrations below)



The two dissimilar light sources must be in the same casing or form a single unit.

This group is meant for two types of light sources used simultaneously. Phosphors or different coloured LEDs are not to be considered as dissimilar light sources for the purpose of this group.

References

Limiting references

Delete: The entire existing *Limiting references* section.

Informative references

Replace: The existing *Informative references* table with the following new table:

CPC NOTICE OF CHANGES 615

DATE: JANUARY 1, 2019

PROJECT MP0313

Lighting in general	F21
Luminaries and their mechanical construction, e.g. combination of light sources	F21Y 2113/00
Driving Electroluminescent panels	H05B 33/08
Driving LEDs	H05B 33/0803
Controlling of lighting in general	H05B 37/00
Driving Incandescent lamps	H05B 39/00
Driving gas discharge lamps	H05B 41/00
Gas-discharge or vapour-discharge lamps with light-emitting discharge path and separately-heated incandescent body within a common envelope.	H01J 61/96
Electric incandescent lamps	H01K
Circuit arrangements for emergency or stand-by power supply with automatic change-over	H02J 9/06

Special rules of classification

Replace: The existing text in the Special rules of classification section with the following new text:

In case of failure of the lamp, circuits providing for substitution: [H05B 41/46](#).