

EUROPEAN PATENT OFFICE  
U.S. PATENT AND TRADEMARK OFFICE

CPC NOTICE OF CHANGES 457

DATE: FEBRUARY 1, 2018

PROJECT DP0187

**The following classification changes will be effected by this Notice of Changes:**

<u>Action</u>	<u>Subclass</u>	<u>Group(s)</u>
<b>DEFINITIONS:</b>		
Definitions New:	A01K	61/10, 61/17, 61/50, 61/54, 61/59, 61/60, 61/70, 61/73, 61/75, 61/80, 61/85, 61/90, 63/10
Definitions Modified:	A01K	61/00, 63/00

**No other subclasses/groups are impacted by this Notice of Changes.**

**This Notice of Changes includes the following [Check the ones included]:**

1. CLASSIFICATION SCHEME CHANGES

- A. New, Modified or Deleted Group(s)
- B. New, Modified or Deleted Warning(s)
- C. New, Modified or Deleted Note(s)
- D. New, Modified or Deleted Guidance Heading(s)

2. DEFINITIONS

- A. New or Modified Definitions (Full definition template)
- B. Modified or Deleted Definitions (Definitions Quick Fix)

3.  REVISION CONCORDANCE LIST (RCL)

4.  CHANGES TO THE CPC-TO-IPC CONCORDANCE LIST (CICL)

5.  CHANGES TO THE CROSS-REFERENCE LIST (CRL)

DATE: FEBRUARY 1, 2018

PROJECT DP0187

## 2. A. DEFINITIONS (new)

Insert the following NEW definitions.

### A01K61/10

#### References

#### Informative references

*Attention is drawn to the following places, which may be of interest for search:*

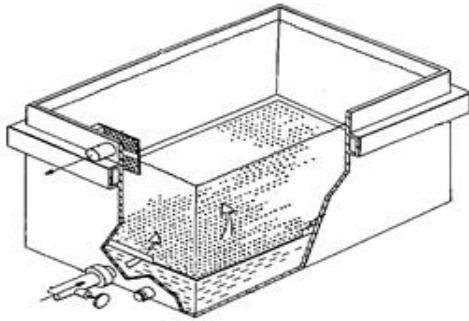
Processing fish (dead)	<a href="#">A22C25/00</a>
Slaughtering or stunning of fish	<a href="#">A22B3/08</a>
Preserving fish products	<a href="#">A23B4/00</a>

### A01K61/17

#### Definition statement

*This place covers:*

- Devices for larvae breeding.
- Devices for incubating eggs and larvae and transportation means therefor.
- Devices for planting eggs.
- Breeding devices for live-bearing-fish.
- Hatcheries, may be part of fish farm.
- Collector tanks for eggs.
- Rearing procedures.



## A01K61/50

### References

#### Limiting references

*This place does not cover:*

Culture of sponges, sea urchins or sea cucumbers	<a href="#">A01K61/30</a>
Culture of annelids, e.g. lugworms or Eunice	<a href="#">A01K61/40</a>

#### Informative references

*Attention is drawn to the following places, which may be of interest for search:*

Processing shellfish	<a href="#">A22C29/00</a>
----------------------	---------------------------

## A01K61/54

### Definition statement

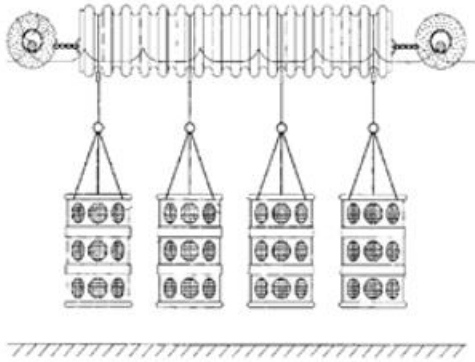
*This place covers:*

- Culture of bivalves in ponds, containers, streams, or the open sea.
- Containers for bivalves, e.g. baskets.
- Tools for bivalves, e.g. hoists for cases.
- Devices for spreading oyster seed.
- Methods for harvesting molluscs from substrates.

DATE: FEBRUARY 1, 2018

PROJECT DP0187

- Culture of pearls, artificial pearls made from natural matter.
- Methods and devices for protecting cultures from predators.
- Shell stringers.
- Artificial reefs for bivalves, other than artificial seaweed.
- Feeding devices for shellfish.
- Harvesting methods and devices.



## References

### Informative references

*Attention is drawn to the following places, which may be of interest for search:*

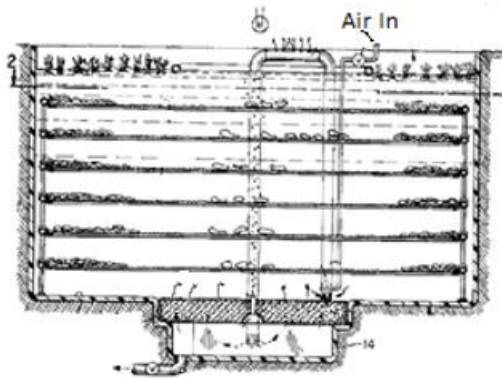
Rearing snails	<a href="#">A01K67/00</a>
Harvesting oysters, mussels, sponges or the like	<a href="#">A01K80/00</a>
Artificial seaweed	<a href="#">E02B3/043</a>
Artificial reefs	<a href="#">E02B3/06</a>
Grading molluscs	<a href="#">A22C29/00</a>
Cleaning molluscs	<a href="#">A22C29/04</a>
Amphibious vehicles	<a href="#">B60F1/00</a>

## A01K61/59

### Definition statement

*This place covers:*

- Aquaculture farming systems for shrimps, crayfish or lobsters.
- Habitats therefor, e.g. (mating) tanks, containers, aquaria, for raising crustaceans in different stages of development.
- Devices for handling eggs and larvae of crustaceans, e.g. vacuum devices or devices for incubation.
- Methods for increasing the production of larvae.
- Harvesting devices for shrimps.

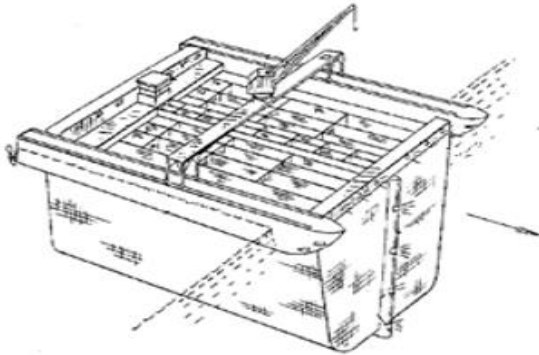


## A01K61/60

### Definition statement

*This place covers:*

- Floating fish-farming systems.
- Water circulating devices or pollution control systems.
- Devices for raising and lowering fish cages.
- Devices for anchoring floating fish cages, e.g. floating rings.
- Submersible cages, rearing pens or fish traps.

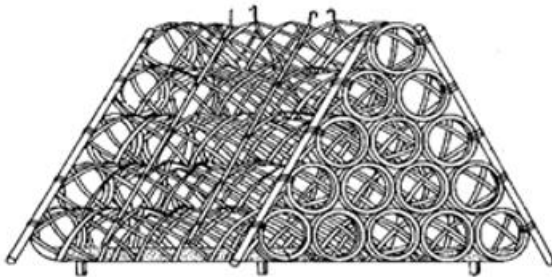


## A01K61/70

### Definition statement

*This place covers:*

- Artificial reefs or parts for artificial fishing banks, e.g. tyres, concrete or synthetic aquatic structures, for use in aquaria, tanks or the open sea.
- Artificial seaweed, e.g. seaweed bed, or rocks.
- Fish habitat structures, including traps.
- Devices providing food, shelter or reproductive support.



### References

#### Informative references

*Attention is drawn to the following places, which may be of interest for search:*

Fish holds for live fish in fishing vessels	<a href="#">B63B35/26</a>
---	---------------------------

## A01K61/73

### References

#### Limiting references

*This place does not cover:*

Made of tyres	<a href="#">A01K61/72</a>
---------------	---------------------------

## A01K61/75

### References

#### Limiting references

*This place does not cover:*

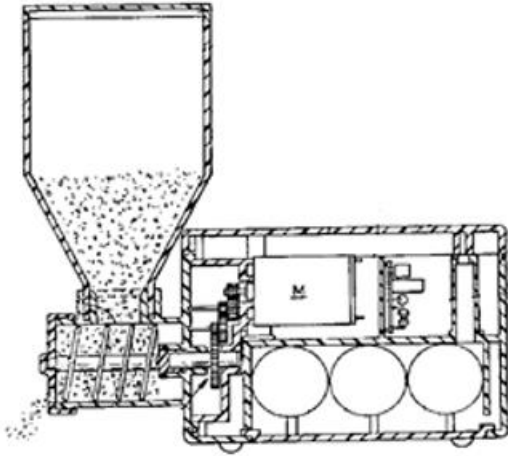
Made of tyres	<a href="#">A01K61/72</a>
---------------	---------------------------

## A01K61/80

### Definition statement

*This place covers:*

- Devices floating, under water or at shore for feeding fish, e.g. centrifugal feed distributors or feed spreaders.
- Automatic, refrigerated feeding devices.
- Devices including dosing mechanisms or using timed control.
- Devices for measuring the rate of food loss in fish farming.
- Fish attracting devices.
- Devices for feeding live food.



## References

### Informative references

*Attention is drawn to the following places, which may be of interest for search:*

Automatic feeding devices	<a href="#">A01K5/02</a>
Animal feeding-stuffs from fish	<a href="#">A23K10/22</a>
Feeding-stuffs for aquatic animals	<a href="#">A23K50/80</a>

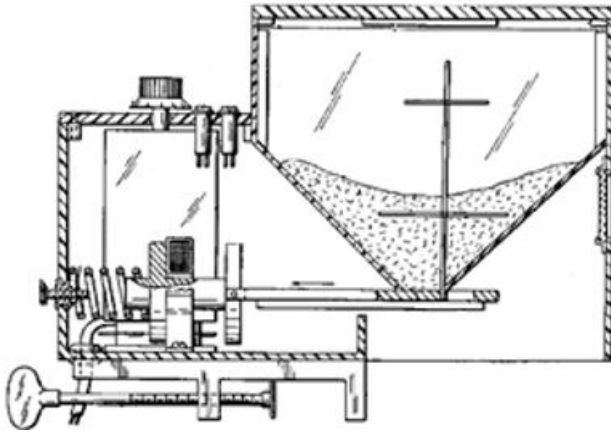
## A01K61/85

### Definition statement

*This place covers:*

- Fish-feeding devices specially adapted to aquaria and normally not applicable to open pond pisciculture.
- The feeder may consist of foodstuff in a special form, e.g. applicable to an aquarium wall, e.g. wax-based fish food.
- Feeders containing living matter, e.g. algae.
- Devices may include timing, lighting, filter or heating devices. However, of relevance is time-control only.
- Fish-operated or automatic feeding devices.





## References

### Informative references

*Attention is drawn to the following places, which may be of interest for search:*

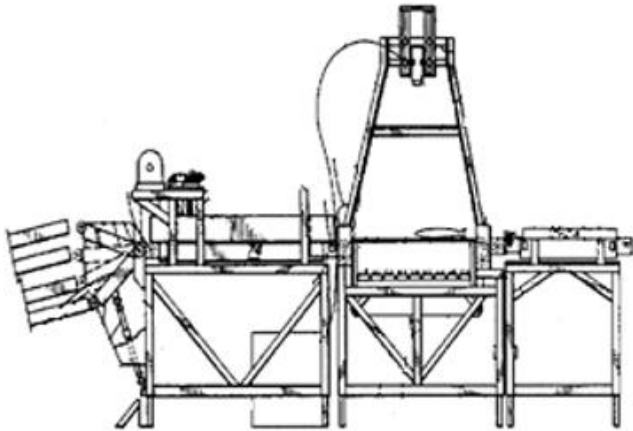
Dispensing by dosing means	<a href="#">A01K5/0233</a>
With timing mechanisms	<a href="#">A01K5/0291</a>
Feeding-stuffs for aquatic animals	<a href="#">A23K50/80</a>

## A01K61/90

### Definition statement

*This place covers:*

- Fish sorting and grading devices, e.g. by weight, size.
- Fish counting devices.
- Fish holding systems.
- Devices for tracking objects under water.
- Tagging systems, e.g. bass tags or implant tags.
- Fish behaviour control systems.
- Harvesting and sorting devices for e.g. shrimp, oysters, etc.



## References

### Informative references

*Attention is drawn to the following places, which may be of interest for search:*

Sorting dead fish	<a href="#">A22C25/04</a>
Sorting in general	<a href="#">B07B, B07C</a>
Counting in general	<a href="#">G06M</a>

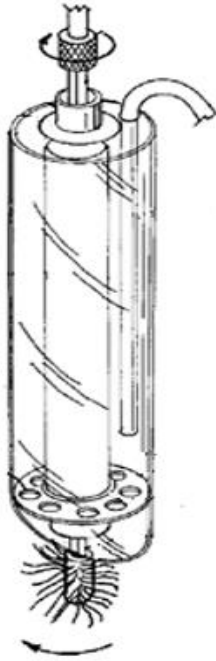
## A01K63/10

### Definition statement

*This place covers:*

- Cleaning devices for water tanks.
- Devices for cleaning aquarium windows, by means of e.g. magnets.
- Cleaning devices for under water apparatuses, e.g. tube-shaped subsea structures.
- Screen cleaners.
- Devices for removing sediment.
- Devices for preventing algae growth, e.g. using ultrasonic waves.
- Devices for removing stains from submerged walls.
- Water recycling and filtering systems.

- Fish manure removal devices.
- Details therefor, e.g. pumps or pipes.



## References

### Informative references

*Attention is drawn to the following places, which may be of interest for search:*

Cleaning windows	<a href="#">A47L1/00</a>
Tank cleaning specially adapted for vessels	<a href="#">B63B57/00</a>
Cleaning devices specially adapted for vessels	<a href="#">B63B59/00</a>
Devices for cleaning the submerged surfaces of swimming pools	<a href="#">E04H4/16</a>

## 2. A. DEFINITIONS (modified)

### A01K61/00

#### Definition statement

Delete: The third statement in the Definitions statement section.

Containers therefor.

Replace: With the following statement.

Containers for aquatic animals culture.

Delete: The following text from the fourth statement in the Definitions statement section.

Therefor,

Replace: With the following text:

for aquatic animals culture,

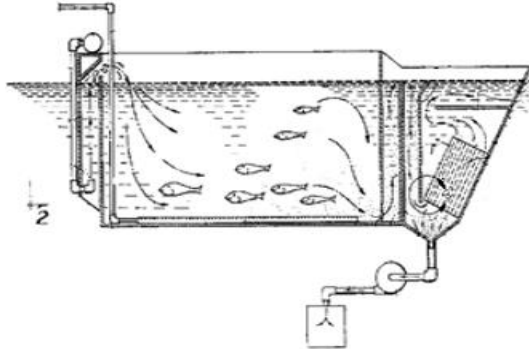
Delete: The following text from the seventh statement in the Definitions statement section.

, etc

Delete: The following two statements in the Definitions statement section.

Methods of increasing seafood production.  
Animal rescue devices for swimming pools.

Replace: The existing image with the updated image below.



### Informative references

Replace: In the Informative references table, the following row:

Artificial reefs	<a href="#">E02B 3/04</a>
------------------	---------------------------

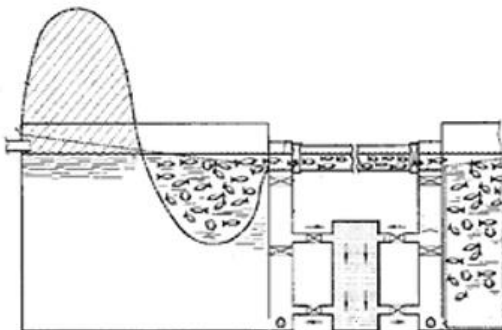
with:

Apparatus for protecting banks, coasts or harbours	<a href="#">E02B 3/04</a>
--	---------------------------

### A01K63/00

### Definition statement

Replace: The existing image with the updated image below.



Insert: The following new Limiting references section/table.

**Limiting references**

*This place does not cover:*

Keepnets	<a href="#">A01K97/20</a>
----------	---------------------------

**Informative references**

Delete: The following row from the existing Informative references table.

Keep nets	<a href="#">A01K97/20</a>
-----------	---------------------------