

F21L

LIGHTING DEVICES OR SYSTEMS THEREOF, BEING PORTABLE OR SPECIALLY ADAPTED FOR TRANSPORTATION

Definition statement

This place covers:

- Lighting devices or systems of lighting devices which are specially adapted to be carried, e.g. by hand, or otherwise transported from place to place, e.g. on wheeled supports, in order to provide illumination where required. The light sources of the lighting devices may be either electrically powered (e.g. by electric batteries, electric cells, electric generators or cables for electric mains connection) or non-electrically powered (e.g. by combustion or daylight).
- Details and components specially adapted to be used for carrying or transporting lighting devices or systems of lighting devices.

Relationships with other classification places

The borderline between subclasses [F21L](#) and [F21S](#) is defined by the words "portable" and "fixed", not by "movable" and "non-movable". For example, lighting devices or systems used in the operation of vehicles, e.g. headlights, which are fixed on the vehicle and move together with the vehicle when it is travelling are considered to be non-portable, since they are components of the vehicle and fixed relative to the remainder of the vehicle at a permanent location. Such lighting devices are classified in subclass [F21S](#). Lighting devices transported by a vehicle between locations and used for lighting purposes not related to the operation of the vehicle are classified in [F21L](#).

Functional features or details of lighting devices or systems are classified in subclass [F21V](#).

Structural combinations of lighting devices with other articles are classified in [F21V 33/00](#), unless specifically provided for in this subclass or elsewhere in the CPC.

Light sources per se are covered in places indicated in the section "Informative references".

In this subclass, it is desirable to add the indexing codes of subclass [F21W](#) in order to indicate the uses or applications of lighting devices, and of [F21Y](#) in order to indicate the form of the light sources of lighting devices.

References

Application-oriented references

Examples of places where the subject matter of this place is covered when specially adapted, used for a particular purpose, or incorporated in a larger system:

Light pointers	G02B 27/20
Flash units for photography	G03B 15/03
Transportable traffic lights	G08G 1/0955

Informative references

Attention is drawn to the following places, which may be of interest for search:

Arrangement or adaptation of portable emergency signal devices on vehicles to be placed on roadways or vehicles	B60Q 7/00
Candles	C11C 5/00
Incandescent bodies heated by combustion. e.g. mantles	F21H
Non-electric light sources using luminescence	F21K 2/00

Light sources using electrochemiluminescence	F21K 2/08
Light sources using charges of combustible material, e.g. illuminating flash devices	F21K 5/00
Light sources using semiconductor devices as light generating elements, e.g. using light-emitting diodes [LED] or lasers	F21K 9/00
Light sources not otherwise provided for	F21K 99/00
Devices or systems intended for fixed installation, e.g. vehicle lighting, or for use essentially at a permanent location	F21S
Lighting devices intended to be free standing, e.g. table lamp or floor lamp	F21S 6/00
Non-electric lighting devices intended to be free-standing, e.g. table lamp, floor lamp	F21S 13/12
Details of portable lighting devices	F21V
Structural combinations of lighting devices with other articles, not otherwise provided for	F21V 33/00
Candle holders	F21V 35/00
Burners	F23D
Fireworks	F42B 4/00
Electric discharge tubes or discharge lamps	H01J
Electric incandescent lamps	H01K
Semiconductor devices specially adapted for light emission	H01L 33/00
Organic semiconductor devices specially adapted for light emission	H01L 51/50
Fastening electric light sources solely by the coupling device	H01R 33/00
Masers, lasers	H01S
Electric arc lamps	H05B 31/00
Electroluminescent light sources	H05B 33/00
Electric light sources using a combination of different types of light generation	H05B 35/00

Special rules of classification

Non-electric lighting devices are classified in groups [F21L 17/00](#) - [F21L 26/00](#) only if a special adaptation related to the use of a non-electric light source is of interest. If there is no such special adaptation, classification is made in a relevant general place. In this subclass, it is desirable to add the Indexing Codes of subclasses [F21W](#) and [F21Y](#).

Glossary of terms

In this place, the following terms or expressions are used with the meaning indicated:

Light source	The entity (e.g. light bulb, fluorescent tube, gas mantle or combustible charge) that generates light for a lighting device.
--------------	--

F21L 2/00

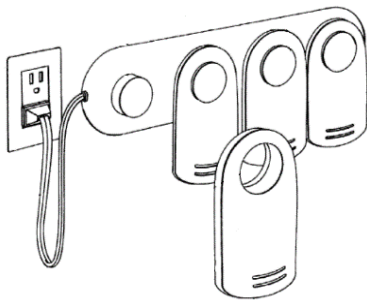
Systems of electric lighting devices (systems employing both electric and non-electric light sources or exchangeable light sources [F21L 27/00](#))

Definition statement

This place covers:

Set of plurality of identical portable lighting devices.

The following image shows an example of an identical portable lighting system.



References

Limiting references

This place does not cover:

Systems employing both electric and non-electric light sources or exchangeable light sources	F21L 27/00
--	----------------------------

Informative references

Attention is drawn to the following places, which may be of interest for search:

Systems employing lighting devices with a built-in power supply, the lighting devices not being "portable"	F21S 9/00
--	---------------------------

F21L 4/00

Electric lighting devices with self-contained electric batteries or cells

Definition statement

This place covers:

Electrical portable lighting devices being self-powered

References

Informative references

Attention is drawn to the following places, which may be of interest for search:

Systems employing lighting devices with a built-in power supply, the lighting devices not being "portable"	F21S 9/00
--	---------------------------

F21L 4/005

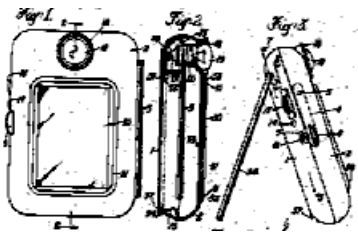
{the device being a pocket lamp ([F21L 4/022](#), [F21L 4/045](#), [F21L 4/085](#) take precedence)}

Definition statement

This place covers:

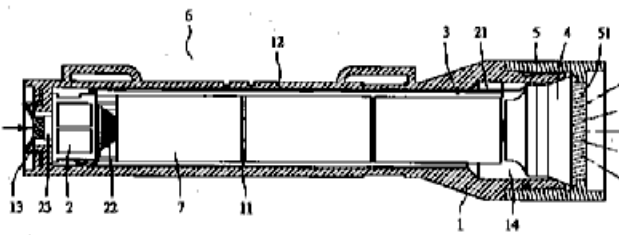
Ex.: US1315457

Flat type self-contained or battery-operated portable electric light



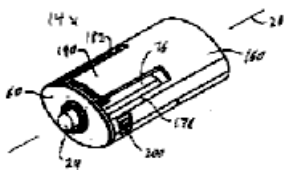
Ex.: US2010315808

Torch



Ex.: US2010220465

squeeze-activated flashlight



References

Limiting references

This place does not cover:

Pocket lamps characterised by the provision of two or more light sources	F21L 4/022
Pocket lamps characterised by the provision of a light source housing portion adjustably fixed to the remainder of the device	F21L 4/045
Pocket lamps characterised by means for in situ recharging of the batteries or cells	F21L 4/085

Synonyms and Keywords

In patent documents, the following words/expressions are often used as synonyms:

- "flashlight", "pocket lamp" and "torch"

F21L 4/025

{the light sources being of different shape or type}

Special rules of classification

In this subclass, it is desirable to add the Indexing Codes of subclasses [F21Y 2113/20](#)

F21L 4/027

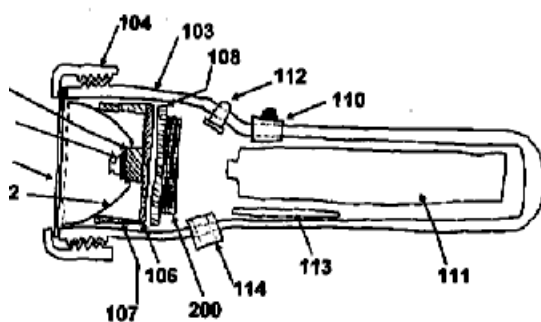
{the light sources being a LED}

Definition statement

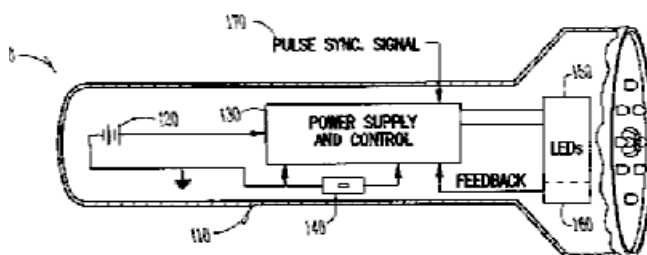
This place covers:

Pocket lamp, the light emitter of which being one or more LED

Ex.: US2005007777



Ex.: US2007133199



Special rules of classification

In this subclass, it is desirable to add the Indexing Codes [F21Y 2101/00](#)

F21L 4/04

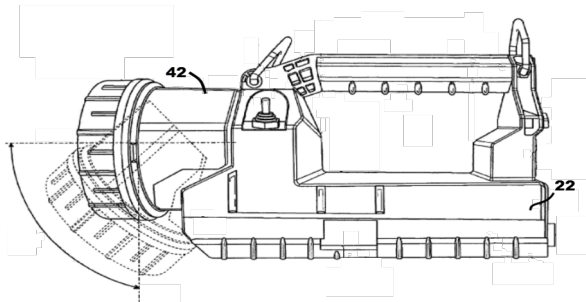
characterised by the provision of a light source housing portion adjustably fixed to the remainder of the device

Definition statement

This place covers:

Portable lighting device having a head portion mechanically attached to the body part and adjustably attached to it.

The following illustration shows light source housing (42) adjustably fixed to lantern body (22).



References

Informative references

Attention is drawn to the following places, which may be of interest for search:

Head portion attached to body part by means of flexible connecting sheath comprising electrical wires	F21L 4/06
Head portion of a lighting device being adjustable	F21V 21/30

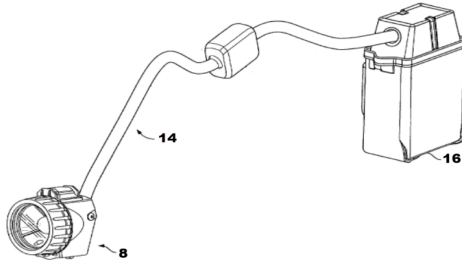
F21L 4/06

with the light source coupled to the remainder of the device solely by cable

Definition statement

This place covers:

For example, note the following figure showing head portion (8) attached to body part (16) by means of flexible connecting sheath comprising electrical wires (14).



References

Informative references

Attention is drawn to the following places, which may be of interest for search:

Portable lighting device with a light source housing portion adjustably fixed to the remainder of the device	F21L 4/04
--	---------------------------

F21L 4/08

characterised by means for in situ recharging of the batteries or cells

Definition statement

This place covers:

Portable lighting device provided with connectors to connect the device to external power supply in order to recharge the batteries, e.g. with built-in accumulators

Portable lighting device provided with accumulators (not shaped like conventional batteries) that can be dismantled in order to be recharged on an external recharging base

Portable lighting devices with solar cells integrated to the body of the lamp

References

Informative references

Attention is drawn to the following places, which may be of interest for search:

Circuit arrangements for charging or depolarising batteries or for supplying loads from batteries	H02J 7/00
---	---------------------------

F21L 13/00

Electric lighting devices with built-in electric generators (with solar cells
[F21L 4/00](#))

References**Limiting references**

This place does not cover:

Electric lighting devices with solar cells	F21L 4/00
--	---------------------------

F21L 13/06

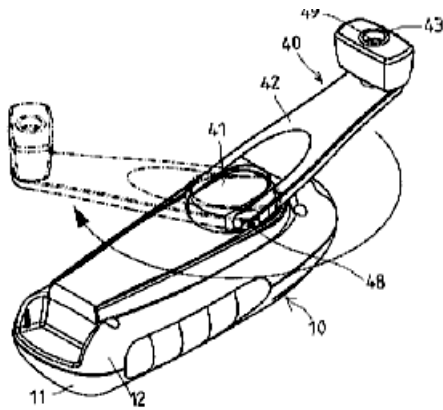
with mechanical drive, e.g. spring

Definition statement

This place covers:

Ex.: GB2408317

Flashlight having manual charging device

**F21L 13/08**

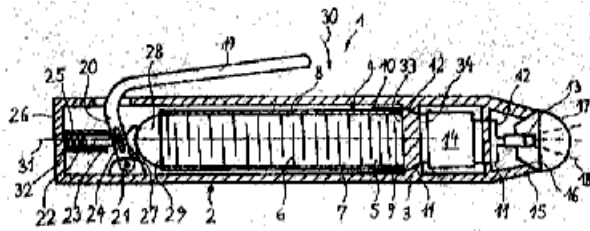
by reciprocating pusher actuated by hand

Definition statement

This place covers:

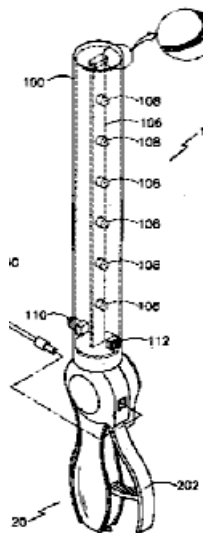
Ex.: EP1450478

Electric power device for portable device with a piezo-converter



Ex.: WO0247056

Portable signal light with a self-generator



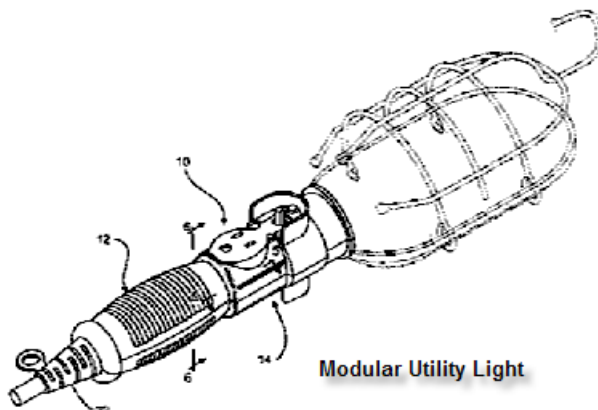
F21L 14/02

capable of hand-held use, e.g. inspection lamps

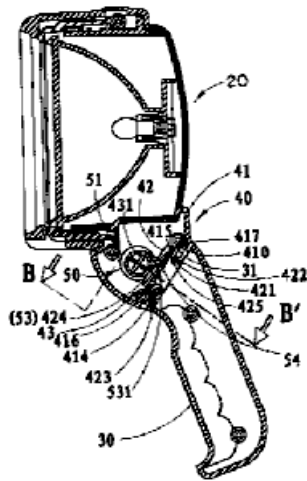
Definition statement

This place covers:

Ex.: US2010061111



Ex.: US2002097583



F21L 14/023

{having two or more, or different light sources}

Special rules of classification

In this subclass, it is desirable to add the appropriate Indexing Codes of subclasses [F21Y 2113/00](#)

F21L 14/026

{having a linear light source}

Special rules of classification

In this subclass, it is desirable to add the appropriate Indexing Codes of subclasses [F21Y 2103/00](#)

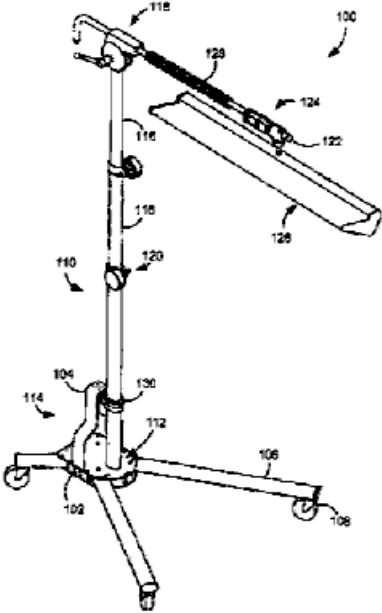
F21L 14/04

carried on wheeled supports

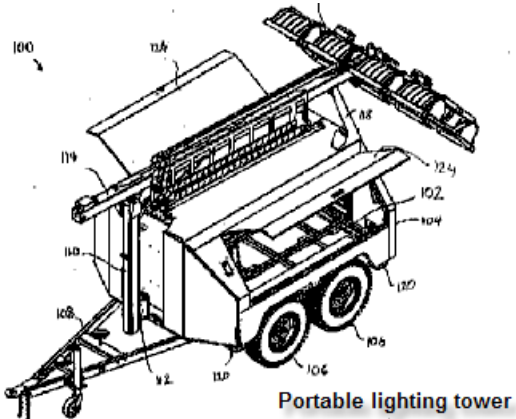
Definition statement

This place covers:

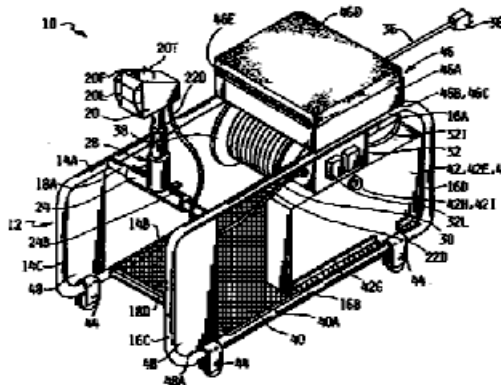
Ex.: US2009225536



Ex.: WO2006047836



Ex.: US5418701



References

Informative references

Attention is drawn to the following places, which may be of interest for search:

Projector or searchlight on land vehicles	B60P 3/18
---	---------------------------

F21L 15/02

{concerned with light emission or distribution}

References

Informative references

Attention is drawn to the following places, which may be of interest for search:

Refractors for light sources applied to portable lighting devices	F21V 5/006
Reflectors for light sources for portable lighting devices	F21V 7/0075
Combination of reflectors and refractors for portable lighting devices	F21V 13/045
Changing the characteristics or the distribution of the light emitted by adjustment of light sources in portable lighting devices	F21V 14/025
Changing the characteristics or the distribution of the light emitted by adjustment of light sources in portable lighting devices	F21V 14/045
Changing the characteristics or the distribution of the light emitted by adjustment of reflectors in portable lighting devices	F21V 14/065
Changing the characteristics or the distribution of the light emitted by adjustment of refractors in portable lighting devices	F21V 14/085

Special rules of classification

[F21L 15/02](#) is not used for classification, the subclass [F21V](#) is used instead

F21L 15/04**{Arrangements of coloured filters or screens}****References****Informative references**

Attention is drawn to the following places, which may be of interest for search:

Light filters; selection of luminescent materials for light screens for producing coloured light for portable lighting devices	F21V 9/083
Changing the characteristics or the distribution of the light emitted by adjustment of screens in portable lighting devices	F21V 14/085

Special rules of classification

[F21L 15/04](#) is not used for classification, the subclass [F21V](#) is used instead

F21L 15/06**{concerned with the fitting}****References****Informative references**

Attention is drawn to the following places, which may be of interest for search:

Battery containers for portable lighting devices	F21V 15/01
Arrangements of switches in or on portable lighting devices	F21V 23/0414

Special rules of classification

[F21L 15/06](#) is not used for classification, the subclass [F21V](#) is used instead

F21L 15/08**{Supporting and suspending elements}****References****Informative references**

Attention is drawn to the following places, which may be of interest for search:

Supporting, suspending, or attaching arrangements lighting devices; hand grips	F21V 21/00
--	----------------------------

Special rules of classification

[F21L 15/08](#) is not used for classification, the subclass [F21V](#) is used instead

F21L 15/10**{without arrangements for adjustment}****Special rules of classification**[F21L 15/10](#) is not used for classification, the subclass [F21V](#) is used instead**F21L 15/14****{Clips; Clamps; Head fittings (for medical purposes [A61B 1/06](#))}****References****Limiting references***This place does not cover:*

Head fittings for medical purposes	A61B 1/06
------------------------------------	---------------------------

Informative references*Attention is drawn to the following places, which may be of interest for search:*

Supporting, suspending, or attaching arrangements for portable lighting devices: Head fittings	F21V 21/084
Supporting, suspending, or attaching arrangements for portable lighting devices: Clips, clamps	F21V 21/0885

Special rules of classification[F21L 15/14](#) is not used for classification, the subclass [F21V](#) is used instead**F21L 19/00****Lanterns, e.g. hurricane lamps or candle lamps****References****Informative references***Attention is drawn to the following places, which may be of interest for search:*

Candle holders	F21V 35/00
----------------	----------------------------

F21L 19/003**{Fastening or lifting of the lamp glass (fastening of component parts of lighting devices [F21V 17/00](#))}****References****Limiting references***This place does not cover:*

Fastening of component parts of the lighting devices	F21V 17/00
--	----------------------------

F21L 19/006

{Special adaptation for protection against draughts (in lighting devices employing combustion other than lanterns [F21V 37/02](#))}

References

Limiting references

This place does not cover:

In lighting devices employing combustion other than lanterns	F21V 37/02
--	----------------------------