

## E04F

### FINISHING WORK ON BUILDINGS, e.g. STAIRS, FLOORS (windows, doors [E06B](#))

#### Definition statement

*This place covers:*

Finishing work on buildings, like:

- sunshades, Florentine blinds, awnings, outside screens ([E04F 10/00](#));
- fixed and moveable stairways, ramps, balustrades, handrails ([E04F 11/00](#));
- coverings or linings for walls or ceilings ([E04F 13/00](#));
- floor coverings, parquet, sectional false floors ([E04F 15/00](#));
- vertical ducts, chimneys, air ducts, light shafts, lift shafts, utility lines channels, disposal chutes, channels for drainage ([E04F 17/00](#));
- borders, finishing strips, built-in cup-boards, niches ([E04F 19/00](#));
- implements for finishing work on buildings, e.g. for mounting doors or windows, for mounting plinths, for plastering, for finishing joints, for setting wall or ceiling slabs, for laying floor coverings ([E04F 21/00](#))

#### References

##### Limiting references

*This place does not cover:*

Kitchen equipment	<a href="#">A47J</a>
Sanitary equipment	<a href="#">A47K</a>
Tapestry work	<a href="#">B44C</a>
Floor structures	<a href="#">E04B 5/00</a>
Roof structures	<a href="#">E04B 7/00</a>
Suspended ceilings	<a href="#">E04B 9/00</a>
Roof coverings	<a href="#">E04D</a>
Repairing	<a href="#">E04G</a>
Windows, doors	<a href="#">E06B</a>
Ladders	<a href="#">E06C</a>

## E04F 10/00

**Sunshades, {e.g. Florentine blinds or jalousies; Outside screens ([E06B 9/26](#) takes precedence)}; Awnings {or baldachins (for caravans [B60P 3/343](#))}; (trailer awnings [E04H 15/08](#); for tents [E04H 15/58](#))**

#### Definition statement

*This place covers:*

Sunshades, e.g. Florentine blinds or jalousies;

Screens on the outside of buildings which provide a shading function;

Outside shading elements mounted to the building;

Awnings; Baldachins

### Relationships with other classification places

This subgroup contains outdoor screens, which are designed withstand outside environmental changes, like wind, rain and snow. Screens mounted on the inner side of a window or door, so called indoor screens are classified in [E06B 9/24](#). Operating means for indoor and outdoor screens are classified in [E06B 9/68](#). Venetian-type lamellar outdoor and indoor screens are classified in [E06B 9/26](#). Free-standing screens which are not attached to the exterior of a building are classified in [E04H 15/00](#). Umbrellas in [A45B](#).

### References

#### Limiting references

*This place does not cover:*

Awnings for tents	<a href="#">E04H 15/58</a>
Venetian-type lamellar screens	<a href="#">E06B 9/26</a>
Operating means	<a href="#">E06B 9/68</a>

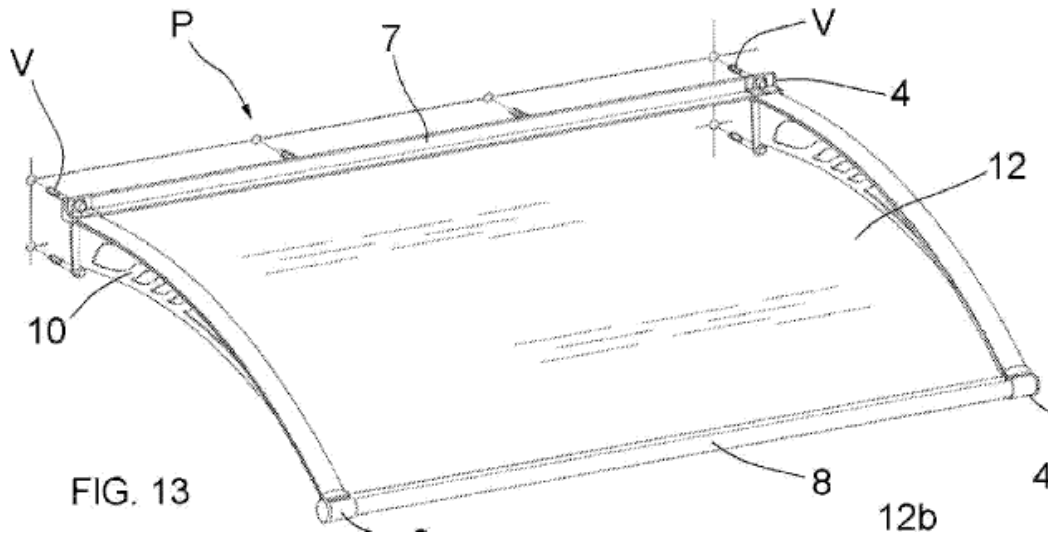
#### Informative references

*Attention is drawn to the following places, which may be of interest for search:*

Awnings for caravans	<a href="#">B60P 3/343</a>
Awnings for vessels	<b>B63F17/02</b>
Sunshades for a roof	<a href="#">E04D 13/00</a>
Roller blinds inside a building	<b>E06B/40</b>
Screening devices inside building	<a href="#">E06B 9/24</a>
Lamellar or like blinds, e.g. venetian blinds	<a href="#">E06B 9/26</a>

**E04F 10/005****{Rigidly-arranged sunshade roofs with coherent surfaces}****Definition statement***This place covers:*

This class contains shading elements for which the surface that provides the shading function is of a rigid inflexible material, e.g. plexiglass, metal.

**References****Limiting references***This place does not cover:*

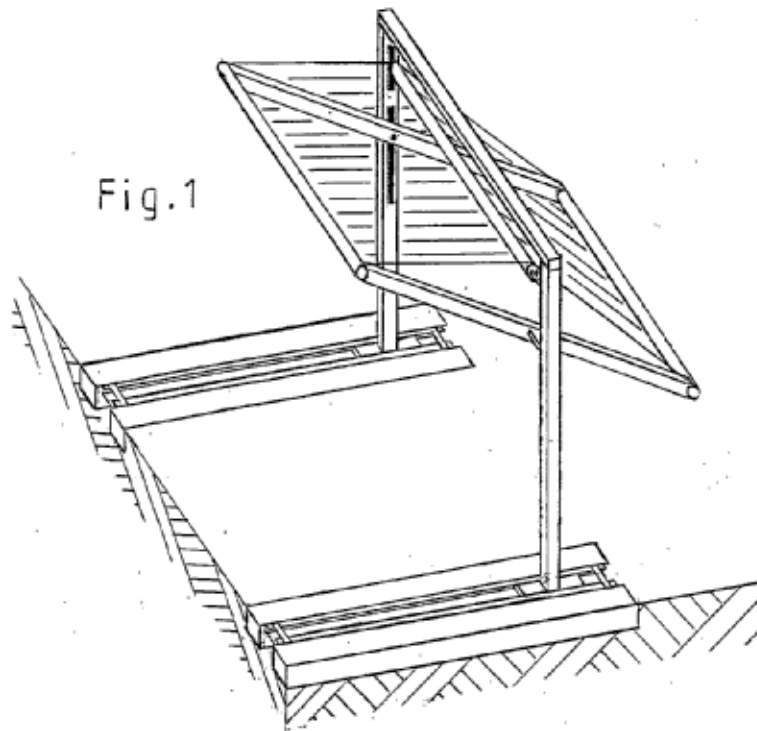
Gutters for roofs	<a href="#">E04D 13/064</a>
-------------------	-----------------------------

**Special rules of classification**

Details which are not-specific to this kind of non-rollable/foldable surface (e.g. fixing to the supporting structure) should be classified in [E04F 10/06](#)

**E04F 10/02****of flexible canopy materials, e.g. canvas{; Baldachins}****Definition statement***This place covers:*

This class contains shading elements for which the surface that provides the shading function is of a flexible material, e.g. canvas

**Special rules of classification**

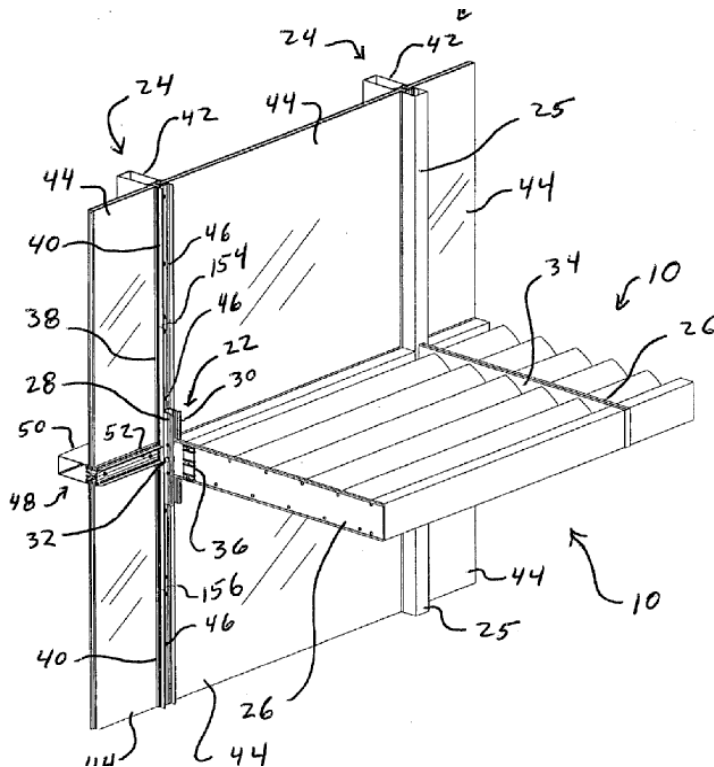
Details which are not-specific to this kind of non-rollable/non-foldable surface (e.g. fixing to the supporting structure) should be classified in [E04F 10/0603](#) - [E04F 10/0685](#)

**E04F 10/08****of a plurality of similar rigid parts, e.g. slabs, lamellae {(E04F 10/005 takes precedence)}****Definition statement***This place covers:*

This class contains shading elements for which the surface that provides the shading function is of a series of rigid parts. e.g. lamellae

**References****Limiting references***This place does not cover:*

Rigidly-arranged sunshade roofs with coherent surfaces	<a href="#">E04F 10/005</a>
--	-----------------------------



### E04F 10/10

collapsible {or extensible; metallic Florentine blinds; awnings with movable parts such as louvres; (shutters [E06B 9/04](#); louvre windows [E06B 7/08](#))}

#### References

##### Limiting references

This place does not cover:

Louvre windows	<a href="#">E06B 7/08</a>
Shutters	<a href="#">E06B 9/04</a>

### E04F 11/00

Stairways, ramps, or like structures (mounting or marking-off stairways [E04F 21/26](#); of temporary {use during building} construction [E04G 27/00](#); means for facilitating access to swimming pools [E04H 4/144](#); {means for facilitating access to swimming pools [E04H 4/144](#); appliances for aiding patients or disabled persons to walk [A61H 3/00](#)}); Balustrades; Handrails (ladders permanently attached to fixed structures [E06C 9/00](#))

#### Definition statement

This place covers:

Fixed stairways and movable stairways, e.g. loft ladders, and their components, e.g. treads and risers; Ramps; Balustrades; Handrails

## References

### Limiting references

*This place does not cover:*

Mounting or marking-off stairways	<a href="#">E04F 21/26</a>
Appliances for aiding patients or disabled persons to walk	<a href="#">A61H 3/00</a>
Stairways of temporary use during building construction	<a href="#">E04G 27/00</a>
Means for facilitating access to swimming pools	<a href="#">E04H 4/144</a>
Ladders permanently attached to fixed structures	<a href="#">E06C 9/00</a>

### Informative references

*Attention is drawn to the following places, which may be of interest for search:*

Ladders	<a href="#">E06C</a>
---------	----------------------

## E04F 11/032

### Spiral stairways supported by a central column

#### Definition statement

*This place covers:*

Only spiral stairways supported by a central column, where "by a central column" is to be read strictly

## E04F 11/06

### collapsible, e.g. folding, telescopic

## References

### Limiting references

*This place does not cover:*

Ship ladders	<a href="#">B63B</a>
Stairs for aircraft	<a href="#">B64F</a>
Escalators or moving walkways	<a href="#">B66B</a>

## E04F 11/104

### Treads

## References

### Informative references

*Attention is drawn to the following places, which may be of interest for search:*

Layered products in general	<a href="#">B32B</a>
Producing decorative panels or veneers	<a href="#">B44C 5/04</a>

### Special rules of classification

Veneer panels should be classified in [E04F 11/108](#), i.e. of wood, as well as in [E04F11/128](#), i.e. composed of several layers.

### E04F 11/16

**Surfaces thereof; Protecting means for edges or corners thereof ({loosely laid coverings,} floor fabrics, fastenings therefor [A47G 27/00](#))**

### References

#### Limiting references

*This place does not cover:*

Loosely laid coverings, floor fabrics, fastenings therefor	<a href="#">A47G 27/00</a>
--	----------------------------

#### Informative references

*Attention is drawn to the following places, which may be of interest for search:*

Guard covers of stairs	<a href="#">E04G 21/30</a>
------------------------	----------------------------

### Special rules of classification

Documents describing both aspects, i.e. surfaces and protecting means for edges or corners of treads, are classified in [E04F 11/16](#) only.

### E04F 11/18

**Balustrades; Handrails (guard-rails on ships [B63B](#); for bridges [E01D 19/10](#); for roads [E01F 13/00](#), [E01F 15/00](#); fences [E04H 17/00](#){; safety measures for persons during the construction of buildings [E04G 21/32](#)})**

### Definition statement

*This place covers:*

Balustrades, balcony balustrades, and handrails.

### References

#### Limiting references

*This place does not cover:*

Guard-rails on ships	<a href="#">B63B 17/04</a>
Handrails for bridges	<a href="#">E01D 19/10</a>
Handrails for roads	<a href="#">E01F 13/00</a> , <a href="#">E01F 15/00</a>
Safety measures for persons during the construction of buildings, e.g. temporary balustrades	<a href="#">E04G 21/32</a>
Balustrades not having a handrail, i.e. picket fences, fences	<a href="#">E04H 17/00</a>

**Informative references**

Attention is drawn to the following places, which may be of interest for search:

Balustrades being an integral part of the structure of a balcony.	<a href="#">E04B 1/003</a>
---	----------------------------

**E04F 11/181**

{Balustrades}

**Special rules of classification**

Use [E04F 11/1812](#) - [E04F 11/1851](#) to completely classify each aspect of the documents to be classified.

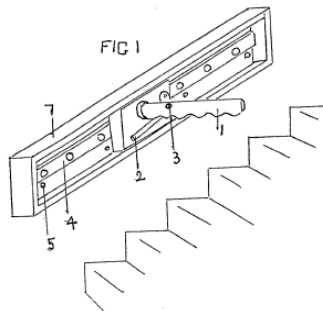
**E04F 11/1863**

{Built-in aids for ascending or descending stairs (lifts associated with stairs [B66B 9/08](#))}

**Definition statement**

This place covers:

Balustrades or handrails comprising aids for ascending or descending stairs , e.g. for elderly or



disabled people e.g. :

**References****Limiting references**

This place does not cover:

Lifts associated with stairs	<a href="#">B66B 9/08</a>
------------------------------	---------------------------

**Informative references**

Attention is drawn to the following places, which may be of interest for search:

Lifts or other hoisting devices on ladders	<a href="#">E06C 7/12</a>
--	---------------------------



## E04F 13/00

Coverings or linings, e.g. for walls or ceilings (flooring [E04F 15/00](#); decoration of surfaces, mosaic work [B44](#), e.g. paper-hanging [B44C 7/00](#); made of webs, e.g. of fabrics or wallpaper{, as such, or their manufacturing} [D03D](#), [D04G](#), [D04H](#), [D06N](#), [D21H](#); construction of {false} ceilings [E04B 9/00](#); roofings or similar water-tight coverings against precipitation [E04D](#))

### Definition statement

*This place covers:*

Coverings or linings, e.g. for walls or ceilings, either made of plastic materials hardening after applying, like plaster, or composed of covering or lining elements and their fastening means.

### References

#### Limiting references

*This place does not cover:*

Flooring	<a href="#">E04F 15/00</a>
Decoration of surfaces, mosaic work	<a href="#">B44C</a>
Decoration of surfaces, paper-hanging	<a href="#">B44C 7/00</a>
Webs, e.g. of fabrics or wallpaper, as such and their manufacturing	<a href="#">D03D</a> , <a href="#">D04G</a> , <a href="#">D04H</a> , <a href="#">D06N</a> , <a href="#">D21H</a>
Construction of false ceilings	<a href="#">E04B 9/00</a>

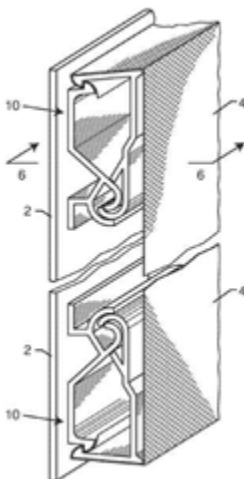
## E04F 13/002

{made of webs, e.g. of fabrics, or wallpaper, used as coverings or linings (of a number of similar elements carried by a common web [E04F 13/0862](#); paperhanging, tapestry work [B44C 7/00](#))}

### Definition statement

*This place covers:*

Coverings or linings, e.g. for walls or ceilings, made of webs, e.g. of fabrics, or wallpaper e.g. :



## References

### Limiting references

*This place does not cover:*

Of a number of similar elements carried by a common web	<a href="#">E04F 13/0862</a>
Paper-hanging and tapestry-work	<a href="#">B44C 7/00</a>

## E04F 13/02

of plastic materials hardening after applying, e.g. plaster (surface treatment in painting technique [B44D](#); inorganic or bituminous masses [C04B](#); organic plastics [C08L](#) {; implements for applying plasticised materials [E04F 21/02](#)})

## References

### Limiting references

*This place does not cover:*

Implements for applying plasticised materials	<a href="#">E04F 21/02</a>
Surface treatment in painting technique	<a href="#">B44D</a>
Inorganic or bituminous masses	<a href="#">C04B</a>
Organic plastics	<a href="#">C08L</a>

## E04F 13/04

Bases for plaster (sub-ceilings with plaster-carrying means [E04B 9/06](#))

## References

### Limiting references

*This place does not cover:*

Sub-ceilings with plaster-carrying means	<a href="#">E04B 9/06</a>
--	---------------------------

## E04F 13/06

Edge-protecting borders {(borders for joints between plaster layers and window or door frames or like [E06B 1/62](#))}

## References

### Limiting references

*This place does not cover:*

Borders for joints between plaster layers and window or door frames or the like	<a href="#">E06B 1/62</a>
---	---------------------------

**E04F 13/072**

**composed of specially adapted, structured or shaped covering or lining elements**

**References****Limiting references**

*This place does not cover:*

Stretched foil- or web-like elements attached with edge gripping devices	<a href="#">E04F 13/005</a>
Composed of several layers, e.g. sandwich panels	<a href="#">E04F 13/0866</a>
Characterised by the joints between neighbouring elements	<a href="#">E04F 13/0889</a>
For insulation or surface protection, e.g. against noise	<a href="#">E04B 1/00</a>
Accommodating lighting devices	<a href="#">F21V 33/006</a>
Accommodating heating conduits	<a href="#">F24D</a>
Accommodating electrical cables or lines	<a href="#">H02G 3/00</a>

**Special rules of classification**

Sub-groups [E04F 13/074](#) - [E04F 13/078](#) are not used; documents are classified according to the table here above.

**E04F 13/08**

**composed of a plurality of similar covering or lining elements, ([E04F 13/072](#) takes precedence; borders, skirtings [E04F 19/02](#); {of webs or fabrics [E04F 13/002](#); fixing strips [E04F 19/06](#); separate provisional spacers between adjacent tiles [E04F 21/0092](#); implements or means for setting tiles [E04F 21/18](#)})**

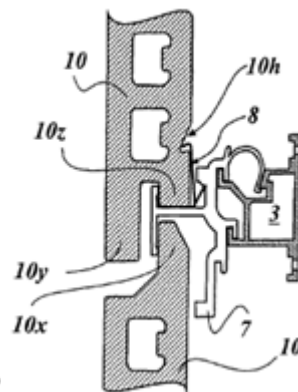
**References****Limiting references**

*This place does not cover:*

Elements of webs or fabrics	<a href="#">E04F 13/002</a>
Specially adapted, structured or shaped covering or lining elements	<a href="#">E04F 13/072</a>
Borders, skirtings	<a href="#">E04F 19/02</a>
Fixing strips	<a href="#">E04F 19/06</a>
Separate provisional spacers between adjacent tiles	<a href="#">E04F 21/0092</a>
Implements or means for setting tiles	<a href="#">E04F 21/18</a>

**E04F 13/0812****{fixed by means of spring action}****Definition statement***This place covers:*

Separate fastening elements for coverings composed of a plurality of similar covering elements, with load-supporting elongated furring elements between wall and covering elements, and with additional fastening elements between furring elements and covering elements, (any of the elements being) fixed by means of spring action, e.g. effecting a clamping, the spring element being integral to or separate



from the other elements. e.g. : (spring 8)

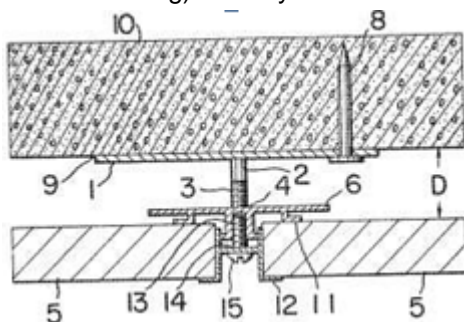
**Synonyms and Keywords**

*In patent documents, the following words/expressions are often used with the meaning indicated:*

" snap action"	"spring action"
----------------	-----------------

**E04F 13/0814****{fixed by means of clamping action}****Definition statement***This place covers:*

Separate fastening elements for coverings composed of a plurality of similar covering elements, with load-supporting elongated furring elements between wall and covering elements, and with additional fastening elements between furring elements and covering elements, (any of the elements being) fixed by means of clamping action. e.g. : (Clamping effected by elements 12-15)

**Synonyms and Keywords**

*In patent documents, the following words/expressions are often used with the meaning indicated:*

" holding tight "	" clamping action "
-------------------	---------------------

**E04F 13/0833**

{not adjustable ([E04F 13/0857](#) takes precedence; not used, see subgroups)}

**Definition statement**

*This place covers:*

Separate fastening elements for coverings composed of a plurality of similar covering elements, without load-supporting elongated furring elements between wall and covering elements, (the fastening element being) not adjustable e.g. : no adjustment or compensation means for tolerances, inaccuracy, ... by means of screws, teeth, wedges,...

**Special rules of classification**

Not used, see subgroups

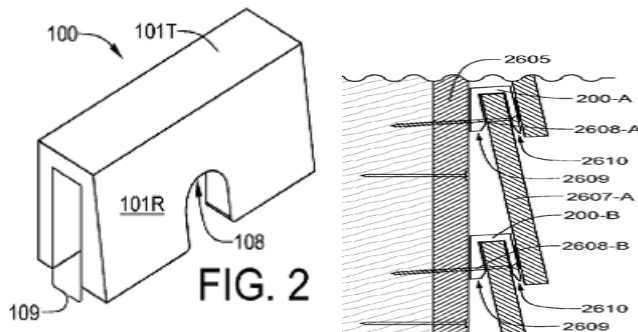
**E04F 13/0841**

{the fastening elements engaging the outer surface of the covering elements, not extending through the covering ([E04F 13/0839](#) and [E04F 13/0846](#) take precedence)}

**Definition statement**

*This place covers:*

Separate fastening elements for coverings composed of a plurality of similar covering elements, without load-supporting elongated furring elements between wall and covering elements, not adjustable, and with fastening elements retaining the edges of the covering elements e.g. :

**References****Limiting references**

*This place does not cover:*

The fastening elements situated at the corners of the covering elements, not extending through the covering	<a href="#">E04F 13/0839</a>
The fastening elements engaging holes or grooves in the side faces of the covering elements	<a href="#">E04F 13/0846</a>

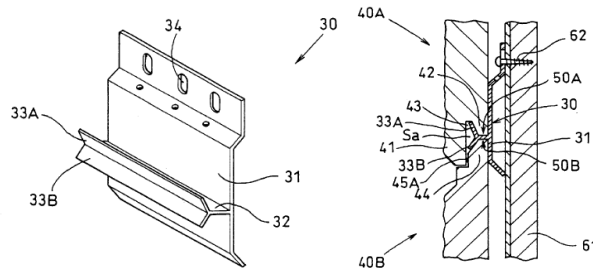
**E04F 13/0846**

{the fastening elements engaging holes or grooves in the side faces of the covering elements ([E04F 13/0835](#) and [E04F 13/0839](#) take precedence)}

**Definition statement**

*This place covers:*

Separate fastening elements for coverings composed of a plurality of similar covering elements, without load-supporting elongated furring elements between wall and covering elements, not adjustable, and with fastening elements engaging holes or grooves in the lateral edge side of the



covering elements e.g.:

**References****Limiting references**

*This place does not cover:*

The fastening elements extending into the back side of the covering elements	<a href="#">E04F 13/0835</a>
The fastening elements situated at the corners of the covering elements, and not extending through the covering	<a href="#">E04F 13/0839</a>

**E04F 13/0858**

{fixed by means of spring action}

**Synonyms and Keywords**

*In patent documents, the following words/expressions are often used with the meaning indicated:*

" snap action "	"spring action"
-----------------	-----------------

**E04F 13/086**

{fixed by means of clamping action}

**Synonyms and Keywords**

*In patent documents, the following words/expressions are often used with the meaning indicated:*

" holding tight "	" clamping action "
-------------------	---------------------

**E04F 13/0864**

{composed of superposed elements which overlap each other and of which the flat outer surface includes an acute angle with the surface to cover}

**Definition statement**

*This place covers:*

Coverings or linings composed of superposed elements which overlap each other and of which the flat outer surface includes an acute angle with the surface to cover, where the expression "acute angle" is to be read strictly

**References****Limiting references**

*This place does not cover:*

Case of absence of an acute angle	<a href="#">E04F 13/10</a> - <a href="#">E04F 13/18</a>
-----------------------------------	---

**E04F 13/0866**

{composed of several layers, e.g. sandwich panels or layered panels (layered products as such in general [B32B](#); producing decorative panels or veneers [B44C 5/04](#); [E04F 13/0864](#), [E04F 13/0875](#) take precedence)}

**References****Limiting references**

*This place does not cover:*

Composed of superposed elements which overlap each other and of which the flat outer surface includes an acute angle with the surface to cover	<a href="#">E04F 13/0864</a>
Having a basic insulating layer and at least one covering layer	<a href="#">E04F 13/0875</a>
Layered products as such in general	<a href="#">B32B</a>
Producing decorative panels or veneers	<a href="#">B44C 5/04</a>

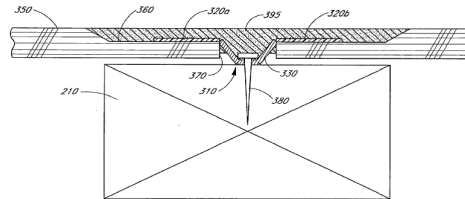
**E04F 13/0898**

{with sealing elements between coverings (sealings of joints between building constructions in general [E04B 1/68](#))}

**Definition statement**

*This place covers:*

Coverings composed of a plurality of similar covering elements, characterised by the joints between neighbouring elements, with sealing elements between coverings (regardless if the sealings are



integral with the panel or separate elements ) e.g. :

**References****Limiting references**

*This place does not cover:*

Sealing of joints between building constructions in general	<a href="#">E04B 1/68</a>
---	---------------------------

**E04F 13/09**

of elements attached to a common web, support plate or grid {(not used, see [E04F 13/0862](#))}

**Special rules of classification**

Not used, see [E04F 13/0862](#)

**E04F 13/14**

stone or stone-like materials, e.g. ceramics {concrete,}; of glass {or with an outer layer of stone or stone-like materials or glass ([E04F 13/0864](#) takes precedence; producing shaped elements from concrete, ceramic compositions or other stone-like materials [B28B](#); prefabricated panels in general [E04C 2/00](#))}

**References****Limiting references**

*This place does not cover:*

Composed of superposed elements which overlap each other and of which the flat outer surface includes an acute angle with the surface to cover	<a href="#">E04F 13/0864</a>
Producing shaped elements from concrete, ceramic compositions or other stone-like materials	<a href="#">B28B</a>
Prefabricated panels in general	<a href="#">E04C 2/00</a>



## E04F 13/18

of organic plastics with or without reinforcements or filling materials (of plastic-bound fibres or chips [E04F 13/16](#) ){or with an outer layer of organic plastics with or without reinforcements or filling materials; plastic tiles ([E04F 13/0864](#) takes precedence)}

### References

#### Limiting references

*This place does not cover:*

Composed of superposed elements which overlap each other and of which the flat outer surface includes an acute angle with the surface to cover	<a href="#">E04F 13/0864</a>
Of plastic-bound fibres or chips	<a href="#">E04F 13/16</a>

## E04F 13/21

Fastening means specially adapted for covering or lining elements {(not used, see [E04F 13/0801](#))}

### Special rules of classification

Sub-groups [E04F 13/21](#) - [E04F 13/30](#) are not used. Documents which fall under the title of sub-groups [E04F 13/21](#) - [E04F 13/28](#) are classified in [E04F 13/0801](#), documents falling under the title of [E04F 13/30](#) are classified in [E04F 13/0883](#). [E04F 13/30](#) takes precedence over [E04F 13/24](#).

## E04F 15/00

Flooring (stair treads [E04F 11/104](#); coverings not specially adapted for floors [E04F 13/00](#); borders, skirtings [E04F 19/02](#); {implements for laying flooring [E04F 21/20](#);} gratings for cleaning soles of footwear [A47L 23/24](#); {built-in gratings [E04F 19/10](#); removing floor coverings [E04G 23/00](#); carpets [A47G 27/00](#);} of similar materials to roads [E01C](#); basic or rough floors {, structural floors} [E04B 5/00](#))

### Definition statement

*This place covers:*

Floor coverings, parquet, resiliently-mounted floors, joints in floor coverings, sectional false floors, e.g. computer floors

### References

#### Limiting references

*This place does not cover:*

Stair treads	<a href="#">E04F 11/104</a>
Coverings not specially adapted for floors	<a href="#">E04F 13/00</a>
Borders, skirting	<a href="#">E04F 19/02</a>
Built-in gratings	<a href="#">E04F 19/10</a>
Implements for laying flooring	<a href="#">E04F 21/20</a>

Carpets	<a href="#">A47G 27/00</a>
Gratings for cleaning soles	<a href="#">A47L 23/24</a>
Road paving	<a href="#">E01C</a>
Structural floors	<a href="#">E04B 5/00</a>
Removing floor coverings	<a href="#">E04G 23/00</a>

## E04F 15/02

Flooring or floor layers composed of a number of similar elements (of webs [E04F 15/16](#))

### References

#### Limiting references

*This place does not cover:*

Flooring composed of webs	<a href="#">E04F 15/16</a>
---------------------------	----------------------------

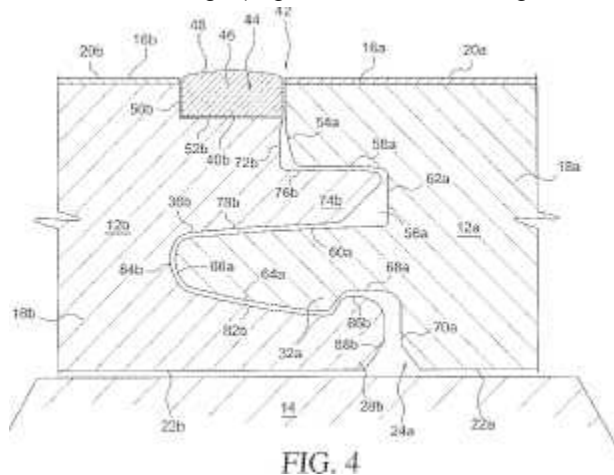
## E04F 15/02005

{Construction of joints, e.g. dividing strips ([E04F 15/024](#), [E04F 15/04](#), [E04F 15/06](#), [E04F 15/10](#) and [E04F 15/14](#) take precedence; separate provisional spacers [E04F 21/0092](#))}

### Definition statement

*This place covers:*

Construction of joints for flooring composed of a number of similar elements, with sealing elements between coverings (regardless if the sealings are integral with the panel or separate elements) e.g. :



### References

#### Limiting references

*This place does not cover:*

Sectional false-floors	<a href="#">E04F 15/024</a>
Flooring only of wood	<a href="#">E04F 15/04</a>

Flooring of metal	<a href="#">E04F 15/06</a>
Flooring of other material	<a href="#">E04F 15/10</a>
Construction of joints in flooring made of masses in situ	<a href="#">E04F 15/14</a>
Separate provisional spacers	<a href="#">E04F 21/0092</a>
Sealing of joints between building constructions in general	<a href="#">E04B 1/68</a>

## E04F 15/024

Sectional false floors, e.g. computer floors {(height-adjustable supports for terrace roof coverings [E04D 11/00](#); underfloor heating using water [F24D 3/142](#), using air [F24D 5/10](#); installation of cables, lines or protective tubing in floors [H02G 3/28](#))}

### References

#### Limiting references

*This place does not cover:*

Height-adjustable supports for terrace roof coverings	<a href="#">E04D 11/00</a>
Underfloor heating using water	<a href="#">F24D 3/142</a>
Underfloor heating using air	<a href="#">F24D 5/10</a>
Installation of cables, lines or protective tubing in floors	<a href="#">H02G 3/28</a>

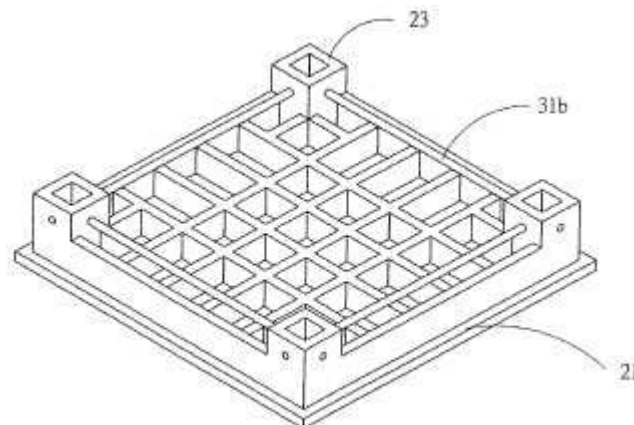
## E04F 15/02411

{with integrated feet ([E04F 15/02417](#) takes precedence)}

### Definition statement

*This place covers:*

Sectional false floors composed of a number of similar elements, comprising floor panels with



integrated feet e.g. :

## References

### Limiting references

*This place does not cover:*

Floor panels made of casing elements filled with plastic materials hardening after application	<a href="#">E04F 15/02429</a>
--	-------------------------------

## E04F 15/04

only of wood {or with a top layer of wood}, e.g. with wooden {or metal} connecting members (rollable parquet [E04F 15/16](#))

## References

### Limiting references

*This place does not cover:*

Rollable parquet	<a href="#">E04F 15/16</a>
------------------	----------------------------

## E04F 15/06

of metal, whether or not in combination with other material (gratings as building elements [E04C 2/42](#); of elements with a metal upper layer; [E04F 15/02405](#) takes precedence; metal treads [E04F 11/112](#))

## References

### Limiting references

*This place does not cover:*

Metal treads	<a href="#">E04F 11/112</a>
Floor panels for sectional false floors	<a href="#">E04F 15/02405</a>
Gratings as building elements	<a href="#">E04C 2/42</a>

## E04F 15/08

only of stone or stone-like material, e.g. {ceramics}, concrete; of glass {or with a top layer of stone or stone-like material, e.g. ceramics, concrete or glass ([E04F 15/02005](#) takes precedence)}

## References

### Limiting references

*This place does not cover:*

Construction of joints in floorings	<a href="#">E04F 15/02005</a>
-------------------------------------	-------------------------------

## E04F 15/10

of other materials, e.g. fibrous or chipped materials, organic plastics, magnesite {tiles}, hardboard {, or with a top layer of other materials}

### References

#### Informative references

Attention is drawn to the following places, which may be of interest for search:

Layered products	<a href="#">B32B</a>
Producing decorative panels or veneers	<a href="#">B44C 5/04</a>

## E04F 15/12

Flooring or floor layers made of masses in situ, e.g. seamless magnesite floors, terrazzo {gypsum floors} (inorganic or bituminous masses [C04B](#); organic plastic masses [C08L](#))

### References

#### Informative references

Attention is drawn to the following places, which may be of interest for search:

Inorganic or bituminous masses	<a href="#">C04B</a>
Organic plastic masses	<a href="#">C08L</a>
Structural floors	<a href="#">E04B 5/00</a>
Filling elements for building-up floors	<a href="#">E04B 5/26</a>
Installation of cables, lines or protective tubing in floors	<a href="#">H02G 3/28</a>

## E04F 15/14

Construction of joints, e.g. dividing strips ( {[E04F 15/02005](#) takes precedence;} sealing joints not restricted to flooring [E04B 1/68](#){, construction of joints in roads or airfields [E01C 11/02](#)})

### References

#### Limiting references

This place does not cover:

Construction of joints for floorings composed of a number of similar elements	<a href="#">E04F 15/02005</a>
Construction of joints not restricted to flooring	<a href="#">E04B 1/68</a>

#### Informative references

Attention is drawn to the following places, which may be of interest for search:

Construction of joints in roads and airfields	<a href="#">E01C 11/02</a>
---	----------------------------

## E04F 15/16

Flooring, e.g. parquet on flexible web, laid as flexible webs; Webs specially adapted for use as flooring; {Parquet on flexible web} (resiliently-mounted floors, e.g. sprung floors, [E04F 15/22](#); linoleum [D06N](#); {carpets [A47G 27/00](#)})

### References

#### Limiting references

*This place does not cover:*

Resiliently mounted floors, e.g. sprung floors	<a href="#">E04F 15/22</a>
--	----------------------------

#### Informative references

*Attention is drawn to the following places, which may be of interest for search:*

Carpets	<a href="#">A47G 27/00</a>
Linoleum	<a href="#">B32</a> , <a href="#">D06N</a>
Webs in general, manufacturing of webs	<a href="#">B65H</a>

## E04F 15/18

Separately-laid insulating layers; Other additional insulating measures; Floating floors (insulating of buildings in general [E04B 1/62](#))

### References

#### Limiting references

*This place does not cover:*

Boundary strips in layers made of masses in situ	<a href="#">E04F 15/142</a>
--	-----------------------------

#### Informative references

*Attention is drawn to the following places, which may be of interest for search:*

Insulating of buildings in general	<a href="#">E04B 1/62</a>
------------------------------------	---------------------------

## E04F 15/22

Resiliently-mounted floors, e.g. sprung floors (laid as webs [E04F 15/16](#))

### References

#### Limiting references

*This place does not cover:*

Resiliently-mounted floors laid as webs	<a href="#">E04F 15/16</a>
---	----------------------------

## E04F 17/00

**Vertical ducts; Channels, e.g. for drainage (pipes in general [F16L](#); pipe-line systems [F17D](#)); drainage devices in floors [E03F 5/04](#); roof drainage [E04D 13/04](#))**

### Definition statement

*This place covers:*

Vertical ducts for carrying away gases, chimneys, air ducts, light shafts, channels for receiving utility lines, channels for drainage, chutes for the disposal of refuse, lift shafts.

### References

#### Informative references

*Attention is drawn to the following places, which may be of interest for search:*

Drainage devices in floors	<a href="#">E03F 5/04</a>
Roof drainage	<a href="#">E04D 13/04</a>
Pipes in general	<a href="#">F16L</a>
Pipe-line systems	<a href="#">F17D</a>

## E04F 17/02

**for carrying away waste gases, e.g. flue gases (free-standing chimneys [E04H 12/28](#); connections between fireplace and chimney, chimney fittings, covers for cleaning holes of chimneys [F23J](#); chimney tops [F23L](#)); Building elements specially designed therefor, e.g. shaped bricks or sets thereof {(coke-ovens [C10B](#); working measures on existing vertical ducts [E04G 23/02](#); apparatus for inserting new lining elements in existing ducts [E04G 21/16](#); metallic chimneys, linings, joints and spacers therefor [F23J 11/00](#), [F23J 13/00](#))}**

### References

#### Limiting references

*This place does not cover:*

Coke-ovens	<a href="#">C10B</a>
Apparatus for inserting new lining elements in existing ducts	<a href="#">E04G 21/16</a>
Working measures on existing vertical ducts	<a href="#">E04G 23/02</a>
Free-standing chimneys	<a href="#">E04H 12/28</a>
Connections between fireplace and chimney, chimney fittings, covers for cleaning holes for chimneys	<a href="#">F23J</a>
Metallic chimneys, linings, joints and spacers therefor	<a href="#">F23J 11/00</a> ; <a href="#">F23J 13/00</a>
Chimney tops	<a href="#">F23L</a>

## E04F 17/026

{Exterior cladding, e.g. of chimney parts extending above the roof; Rain covers for chimney tops without draught-inducing aspects (inducing draught in chimneys [F23L 17/00](#))}

### Definition statement

*This place covers:*

Vertical ducts or channels for carrying away waste gases, e.g. flue gases comprising an exterior cladding, e.g. of chimney parts extending above the roof or rain covers for chimney

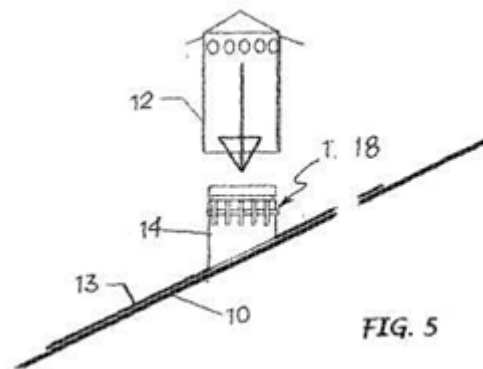
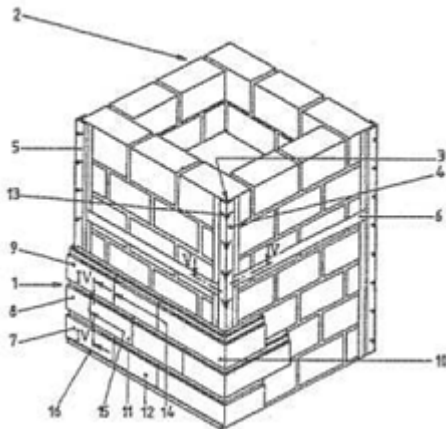


FIG. 5

or

tops without draught-inducing aspects e.g. : or



### References

#### Limiting references

*This place does not cover:*

Inducing draught in chimneys	<a href="#">F23L 17/00</a>
------------------------------	----------------------------



**E04F 17/04**

**Air-ducts or air channels {(heating in general [F24](#); ventilating rooms in general [F24F](#))}**

**References****Informative references**

*Attention is drawn to the following places, which may be of interest for search:*

Heating in general	<a href="#">F24</a>
Ventilating rooms in general	<a href="#">F24F</a>

**E04F 17/06**

**Light shafts, e.g. for cellars**

**References****Informative references**

*Attention is drawn to the following places, which may be of interest for search:*

Daylight conveying tubular skylights	<a href="#">E04D 2013/034</a>
--------------------------------------	-------------------------------

**E04F 17/08**

**for receiving utility lines, e.g. cables, pipes (covers giving access to the ducts or channels, covers of inspection holes [E04F 19/08](#))**

**References****Limiting references**

*This place does not cover:*

Covers giving access to the ducts or channels, covers of inspection holes	<a href="#">E04F 19/08</a>
Shafts or channels arranged underground outside buildings	<a href="#">E02D 29/10</a>

**E04F 17/10**

**Arrangements in buildings for the disposal of refuse (refuse bins, gathering or removal of refuse [B65F](#))**

**References****Limiting references**

*This place does not cover:*

Refuse bins, gathering or removal of refuse	<a href="#">B65F</a>
---	----------------------

**E04F 19/00**

**Other details of constructional parts for finishing work on buildings (ladders, e.g. climbing irons, [E06C 9/04](#))**

**Definition statement**

*This place covers:*

Borders, finishing strips, light-coves, built-in cup-boards, niches, covers of holes enabling access to installations, built-in gratings, chimney mantel pieces

**References****Limiting references**

*This place does not cover:*

Borders for protecting edges of plaster	<a href="#">E04F 13/06</a>
Climbing irons	<a href="#">E06C 9/04</a>

**E04F 19/02**

**Borders; Finishing strips, e.g. beadings; Light coves (for protecting edges of plaster [E04F 13/06](#))**

**References****Limiting references**

*This place does not cover:*

Borders for protecting edges of plaster	<a href="#">E04F 13/06</a>
---	----------------------------

**Informative references**

*Attention is drawn to the following places, which may be of interest for search:*

Lighting devices in general	<a href="#">F21V</a>
-----------------------------	----------------------

**E04F 19/022**

**{for use at vertical intersections of walls ([E04F 19/028](#) takes precedence)}**

**References****Limiting references**

*This place does not cover:*

Borders adapted for cushioning impacts at protruding corners	<a href="#">E04F 19/028</a>
--	-----------------------------

**E04F 19/04**

for use between floor or ceiling and wall, e.g. skirtings

**References****Informative references**

Attention is drawn to the following places, which may be of interest for search:

Edge details of ceilings	<a href="#">E04B 9/30</a>
--------------------------	---------------------------

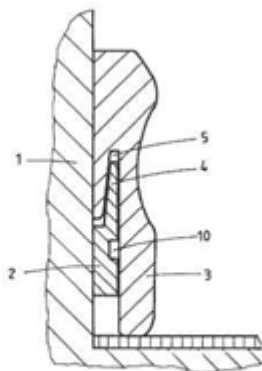
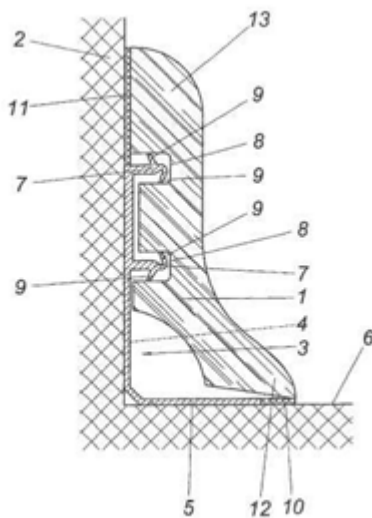
**E04F 19/0459**

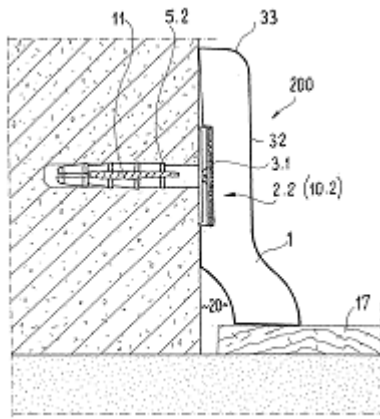
{characterised by the fixing method (not used, see subgroups)}

**Definition statement**

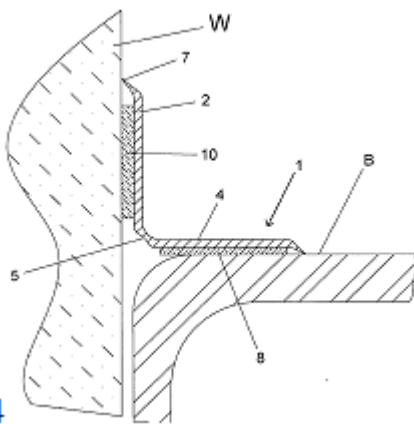
This place covers:

Borders or finishing strips for use between floor or ceiling and wall, e.g. skirtings characterised by the fixing method (group not used, see subgroups) e.g. by hooking in a direction perpendicular ([E04F 19/0463](#)) or parallel ([E04F 19/0468](#)) to the wall, by means of magnets or hook and loop-type fasteners ([E04F 19/0472](#)), by means of glue ([E04F 19/0477](#)):





04F3



04F4

### Special rules of classification

Only the subgroups of this group are used

### E04F 19/06

specifically designed for securing panels {or masking the edges of wall- or floor-covering elements ([E04F 19/022](#), [E04F 19/026](#) and [E04F 19/04](#) take precedence)}

### References

#### Limiting references

*This place does not cover:*

For use at vertical intersections of walls	<a href="#">E04F 19/022</a>
Specially adapted for cushioning impacts	<a href="#">E04F 19/026</a>
For use between floor or ceiling and wall	<a href="#">E04F 19/04</a>

## E04F 19/061

{used to finish off an edge or corner of a wall or floor covering area (in connection with floor fabrics [A47G 27/045](#); sealings between walls and baths [A47K 3/008](#))}

### Definition statement

*This place covers:*

Borders or finishing strips, specially designed for securing panels, used to finish off an edge or corner

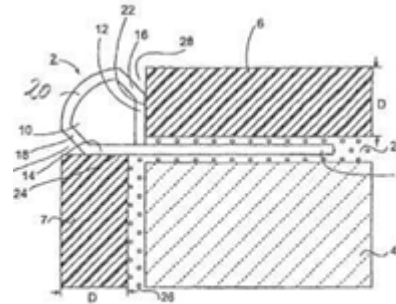
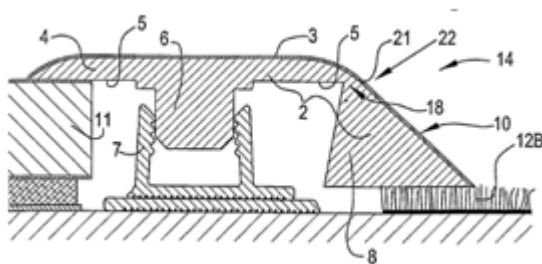


Fig. 1

OR

of a wall or floor covering area e.g. floor transition pieces



### References

#### Limiting references

*This place does not cover:*

In connection with floor fabrics	<a href="#">A47G 27/045</a>
Sealings between walls and baths	<a href="#">A47K 3/008</a>

**E04F 19/062**

{used between similar elements (separate provisional spacers [E04F 21/0092](#))}

**Definition statement**

*This place covers:*

Borders or finishing strips, specially designed for securing panels, used between similar elements, e.g., a bridger strip for a gap created by two panels, e.g.

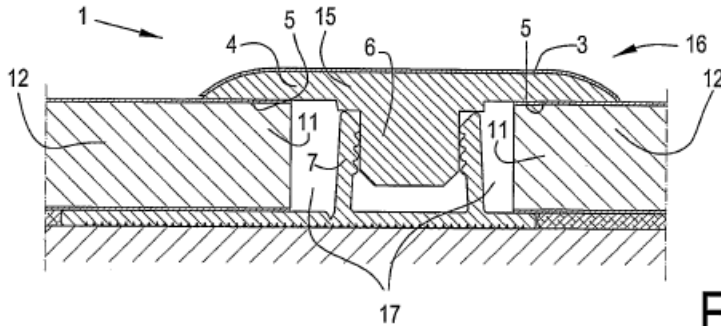


Fig. 5

**References****Limiting references**

*This place does not cover:*

Separate provisional spacers	<a href="#">E04F 21/0092</a>
------------------------------	------------------------------

**E04F 19/08**

Built-in cupboards; Masks of niches; Covers of holes enabling access to installations (inspection openings in bathtub aprons [A47K 3/1615](#); covers for electrical distribution boxes [H02G 3/14](#); movable ceiling parts [E04B 9/003](#); removable wall partitions [E04B 2/74](#); } clean-out doors of chimneys [F23J](#))

**References****Limiting references**

*This place does not cover:*

Inspection openings in bathtub aprons	<a href="#">A47K 3/1615</a>
Removable wall partitions	<a href="#">E04B 2/74</a>
Movable ceiling parts	<a href="#">E04B 9/003</a>
Cleanout doors of chimneys	<a href="#">F23J</a>
Covers for electrical distribution boxes	<a href="#">H02G 3/14</a>

## E04F 21/00

Implements for finishing work on buildings (for working or treating building elements of stone or stone-like material [B28D](#); designed specifically for special details provided for in the other groups of this subclass, see the relevant groups for the details {working measures on existing buildings [E04G 23/00](#); measuring angles or linear dimensions in general [G01B](#), [G01C](#); measuring inclination, e.g. by clinometers or levels [G01C 9/00](#); reference lines, planes or sectors, generated by active optical means [G01C 15/004](#)})

### Definition statement

*This place covers:*

Implements for finishing work on buildings, e.g. for mounting doors or windows, for mounting plinths, for applying plasticised masses to surfaces, for finishing joints, for setting wall or ceiling slabs, for laying flooring, for mounting staircases, for glazing.

### References

#### Limiting references

*This place does not cover:*

Implements for working or treating building elements of stone or stone-like materials	<a href="#">B28D</a>
---	----------------------

#### Informative references

*Attention is drawn to the following places, which may be of interest for search:*

Working measures on existing buildings	<a href="#">E04G 23/00</a>
Measuring angles or linear dimensions in general	<a href="#">G01B</a> , <a href="#">G01C</a>
Measuring inclination, e.g. by clinometers or levels	<a href="#">G01C 9/00</a>
Reference lines, planes or sectors, generated by active optical means	<a href="#">G01C 15/004</a>

### Special rules of classification

Implements designed specifically for special details provided for in the preceding groups, see the relevant groups for the details

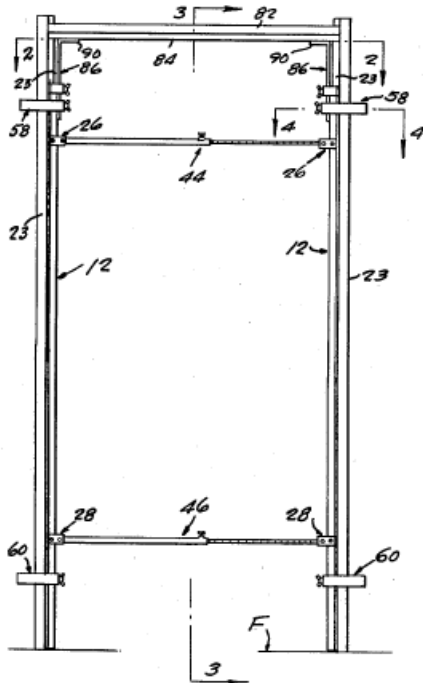
## E04F 21/0007

{for mounting doors, windows or frames; their fitting (door-lifters [B66F 15/00](#))}

### Definition statement

*This place covers:*

Implements for mounting doors, windows or frames, e.g. door jamb setters



### References

#### Limiting references

*This place does not cover:*

Door-lifters	<a href="#">B66F 15/00</a>
--------------	----------------------------



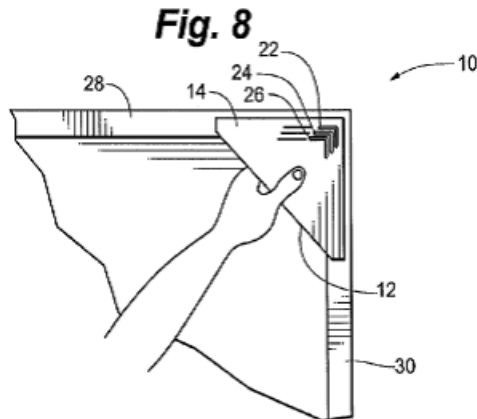
### E04F 21/003

{for marking doors, windows or frames (templates for marking the position of hinges [E05D 11/0009](#); templates for marking the position of doorlocks [E05B 17/06](#))}

#### Definition statement

*This place covers:*

Implements for marking doors, windows or frames, e.g. tools indicating the location of closures or



closure frames

#### References

##### Limiting references

*This place does not cover:*

Templates for marking the position of doorlocks	<a href="#">E05B 17/06</a>
Templates for marking the position of hinges	<a href="#">E05D 11/0009</a>

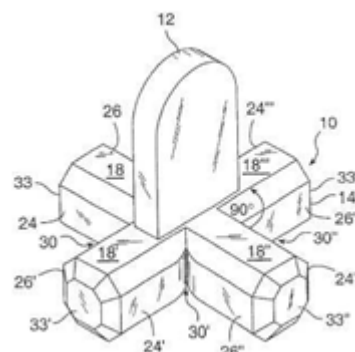
### E04F 21/0092

{Separate provisional spacers used between adjacent floor or wall tiles ([E04F 13/0889](#), [E04F 15/02005](#) takes precedence)}

#### Definition statement

*This place covers:*

Separate provisional spacers used between adjacent floor or wall tiles, with at least parts of it being



removed after installation. e.g. removable tile spacer

## References

### Limiting references

*This place does not cover:*

Sealing elements between coverings composed of a number of similar elements	<a href="#">E04F 13/0889</a>
Construction of joints in floorings composed of a number of similar elements	<a href="#">E04F 15/02005</a>

## E04F 21/02

for applying plasticised masses to surfaces, e.g. plastering walls ({wall covering made of hardening materials [E04F 13/02](#)}; specially for flooring [E04F 21/20](#); implements for painting or decorating [B44](#); applying liquids or other fluent materials to surfaces, in general [B05](#))

## References

### Informative references

*Attention is drawn to the following places, which may be of interest for search:*

Wall coverings made of hardening materials	<a href="#">E04F 13/02</a>
Joint tapes	<a href="#">E04F 13/042</a>
Drywall taper tools	<a href="#">E04F 21/1657</a>
Specially for flooring	<a href="#">E04F 21/20</a>
Applying liquids or other fluent materials to surfaces, in general	<a href="#">B05</a>
Implements for painting or decorating	<a href="#">B44</a>

## E04F 21/04

Patterns or templates; Jointing rulers {(profile trowels [E04F 21/16](#))}

## References

### Informative references

*Attention is drawn to the following places, which may be of interest for search:*

Profile trowels	<a href="#">E04F 21/16</a>
-----------------	----------------------------

## E04F 21/06

Implements for applying plaster, insulating material, or the like {(finishing [E04F 21/16](#))}

## References

### Limiting references

*This place does not cover:*

Implements for after treatment of plaster	<a href="#">E04F 21/16</a>
---	----------------------------

**E04F 21/08**

**Mechanical implements ([E04F 21/14](#) takes precedence; spraying in general [B05B](#); sand-blasting [B24C](#))**

**References****Limiting references**

*This place does not cover:*

Implements for applying plaster in shafts	<a href="#">E04F 21/14</a>
Spraying in general	<a href="#">B05B</a>
Sandblasting	<a href="#">B24C</a>

**E04F 21/16**

**Implements for after-treatment of plaster or the like {before it has hardened or dried}, e.g. smoothing-tools, profile trowels {([E04F 21/04](#), [E04F 21/165](#) take precedence)}**

**References****Limiting references**

*This place does not cover:*

Patterns or templates; Jointing rulers	<a href="#">E04F 21/04</a>
Implements for finishing joints	<a href="#">E04F 21/165</a>

**E04F 21/165**

**for finishing joints, e.g. implements for raking or filling joints, jointers (bricklayers' tools [E04G 21/16](#); repairing, e.g. filling cracks, [E04G 23/02](#); wallpaper scrapers or the like [B44C 7/02](#); implements for cleaning joints [A47L 13/10](#))**

**References****Limiting references**

*This place does not cover:*

Implements for cleaning joints	<a href="#">A47L 13/10</a>
Wallpaper scrapers	<a href="#">B44C 7/02</a>
Bricklayers' tools	<a href="#">E04G 21/16</a>
Repairing, e.g. filling cracks	<a href="#">E04G 23/02</a>

**E04F 21/18**

for setting wall or ceiling slabs or plates (tools for mosaic work [B44C](#))

**References****Limiting references**

*This place does not cover:*

Tools for mosaic work	<a href="#">B44C</a>
-----------------------	----------------------

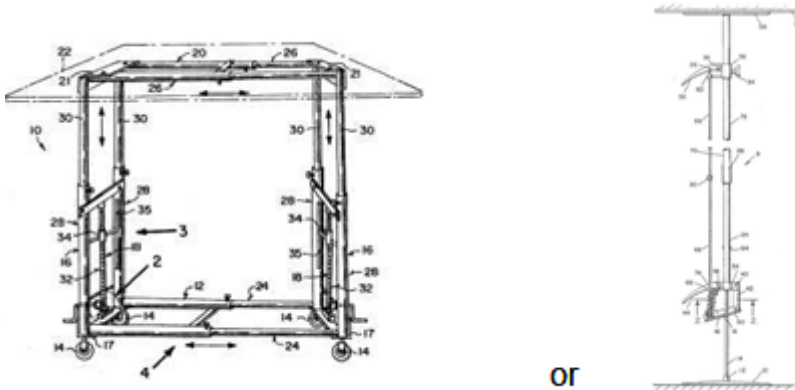
**E04F 21/1805**

{Ceiling panel lifting devices}

**Definition statement**

*This place covers:*

Lifting devices for installing ceiling panels in place e.g.

**References****Informative references**

*Attention is drawn to the following places, which may be of interest for search:*

Suspended ceilings comprising panels	<a href="#">E04B 9/04</a>
--------------------------------------	---------------------------

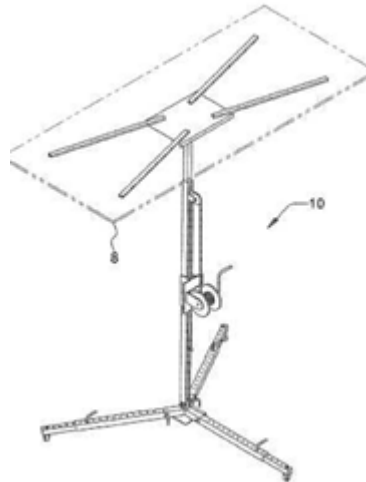
## E04F 21/1811

{with hand-driven crank systems, e.g. rope, cable or chain winding or rack-and-pinion mechanisms ([E04F 21/1816](#), [E04F 21/1822](#) and [E04F 21/1827](#) take precedence)}

### Definition statement

*This place covers:*

Lifting devices for installing ceiling panels in place, with hand-driven crank systems, e.g. rope, cable or



chain winding or rack-and-pinion mechanisms e.g.

### References

#### Limiting references

*This place does not cover:*

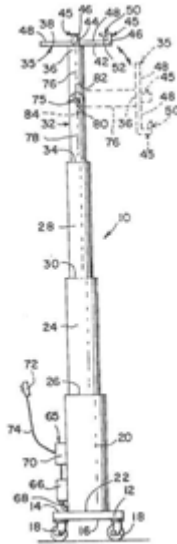
Fluid pressure-operated	<a href="#">E04F 21/1816</a>
With pivotally mounted arms	<a href="#">E04F 21/1822</a>
Lazy-tongs mechanisms	<a href="#">E04F 21/1827</a>

## E04F 21/1816

{fluid pressure-operated ([E04F 21/1822](#) and [E04F 21/1827](#) take precedence)}

### Definition statement

*This place covers:*



Lifting devices for installing ceiling panels in place, operated by fluid pressure e.g.

### References

#### Limiting references

*This place does not cover:*

With pivotally mounted arms	<a href="#">E04F 21/1822</a>
Lazy-tongs mechanisms	<a href="#">E04F 21/1827</a>

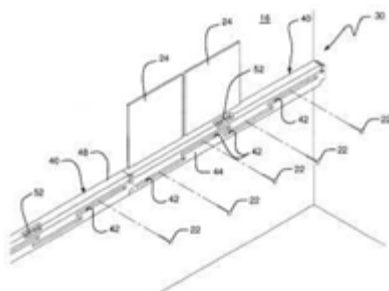
## E04F 21/1838

{for setting a plurality of similar elements ([E04F 21/1805](#) and [E04F 21/1894](#) take precedence; separate provisional spacers [E04F 21/0092](#))}

### Definition statement

*This place covers:*

Implements for setting a plurality of similar wall or ceiling slabs or plates: e.g.



## References

### Limiting references

*This place does not cover:*

Separate provisional spacers	<a href="#">E04F 21/0092</a>
Ceiling panels lifting devices	<a href="#">E04F 21/1805</a>
Lever-type lifters	<a href="#">E04F 21/1894</a>

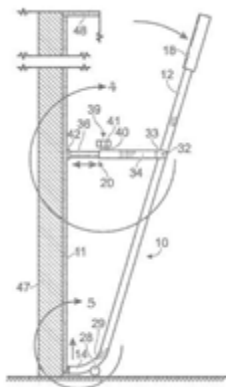
## E04F 21/1894

{Lever-type lifters gripping the bottom edge of wall panels (door lifters [B66F 15/00](#))}

### Definition statement

*This place covers:*

Lever-type lifters gripping the bottom edge of wall panels e.g. e.g. fulcrum-type device, e.g.



## References

### Informative references

*Attention is drawn to the following places, which may be of interest for search:*

Door lifters	<a href="#">B66F 15/00</a>
--------------	----------------------------

## E04F 21/20

for laying flooring (made of similar material to roads or pavements [E01C](#)); arrangements for removing of previously fixed floor covering [E04G 23/00](#))

## References

### Limiting references

*This place does not cover:*

Implements for laying flooring made of similar material to roads or pavements	<a href="#">E01C</a>
Arrangements for removing of previously fixed floor covering	<a href="#">E04G 23/00</a>

**E04F 21/22**

of single elements, e.g. flooring cramps{; flexible webs (cutting tiles [B28D 1/225](#))}

**References****Limiting references**

*This place does not cover:*

Cutting tiles	<a href="#">B28D 1/225</a>
---------------	----------------------------

**E04F 21/24**

of masses made in situ, e.g. smoothing tools {([E04F 21/04](#) takes precedence; finishing of concrete roads or pavings [E01C 19/40](#); devices for levelling concrete floors [E04G 21/10](#); devices for solidifying concrete floors by vibrating [E04G 21/066](#))}

**References****Limiting references**

*This place does not cover:*

Pattern or templates for applying plasticised masses to surfaces	<a href="#">E04F 21/04</a>
Finishing of concrete roads or pavings	<a href="#">E01C 19/40</a>
Devices for solidifying concrete floors by vibrating	<a href="#">E04G 21/066</a>
Devices for levelling concrete floors	<a href="#">E04G 21/10</a>

**E04F 21/28**

for glazing (glass cutters [C03B 33/10](#))

**References****Informative references**

*Attention is drawn to the following places, which may be of interest for search:*

Glass cutters	<a href="#">C03B 33/10</a>
---------------	----------------------------

**E04F 21/30**

Putty squeezers or guns {(not used, see [B05C 17/002](#))}

**Special rules of classification**

Group not used, see [B05C 17/002](#)