

D04D

TRIMMINGS; RIBBONS, TAPES OR BANDS, NOT OTHERWISE PROVIDED FOR (fittings or trimmings for hats, e.g. hat bands [A42C 5/00](#); decorating art [B44](#); yarns or threads [D02G](#); weaving [D03](#); braid or lace [D04C](#); non-woven fabrics [D04H](#))

Definition statement

This place covers:

tuft strings and elongated pile articles serving other than decorative purposes.

These aspect are covered by [D04D 3/00](#).

textile decorative or ornamental articles of rope or ribbon shape with decorative properties imparted during textile formation

flat or three dimensional articles made up from such materials

textile forming processes other that weaving, knitting, crocheting or braiding providing these articles

machines for making these articles

References

Limiting references

This place does not cover:

Fittings or trimmings for hats, e.g. hat bands	A42C 5/00
Making jewellery or other personal adornments	A44C 27/00
Products obtained by processes producing special ornamental surface effects	B44C 1/00
Special ornamental bodies and processes of making same	B44C 5/00
Flexible elongated elements, e.g. straps, for bundling or supporting articles	B65D 63/10
Decorative textiles by mechanical or chemical treatment	D06Q

Informative references

Attention is drawn to the following places, which may be of interest for search:

Load bearing band type slings	B66C 1/18
Load bearing rope bands	D07B 5/04

Glossary of terms

In this place, the following terms or expressions are used with the meaning indicated:

Trimmings	are decorative or ornamental articles made wholly or partly of textile or analogous material, or strips of textile or analogous material, intended to be used for decorative or ornamental purposes, not otherwise provided for.
-----------	--

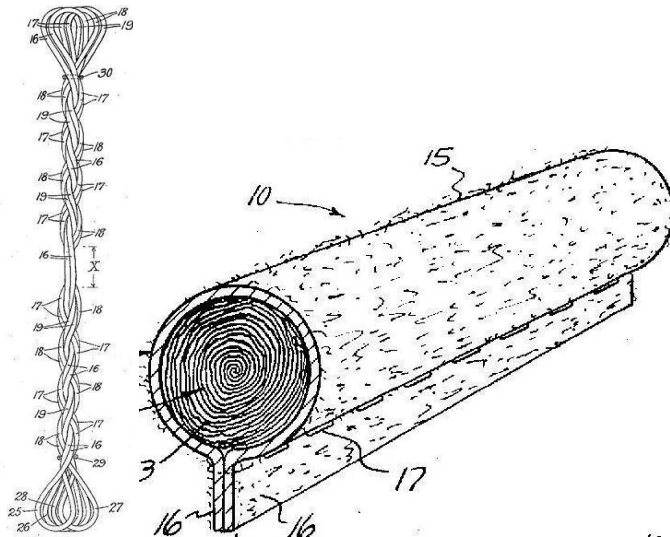
D04D 1/00

Ropes or like decorative or ornamental elongated trimmings made from filamentary material (ropes or cords in general [D07B](#))

Definition statement

This place covers:

elongated textile decorative articles.



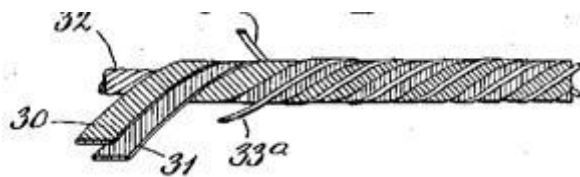
D04D 1/02

by twisting strands around centrally arranged cores

Definition statement

This place covers:

decorative ropes wrapped for aesthetic purposes.



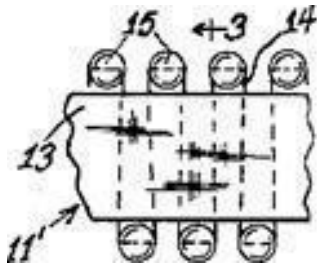
D04D 1/04

by threading or stringing pearls or beads on filamentary material

Definition statement

This place covers:

articles comprising beads or pearls incorporated during the textile forming process, e.g. stringing of beads.

**References****Informative references**

Attention is drawn to the following places, which may be of interest for search:

Textile articles with decorative attachments, e.g. beads, applied after the textile forming process	A41D 27/08
---	----------------------------

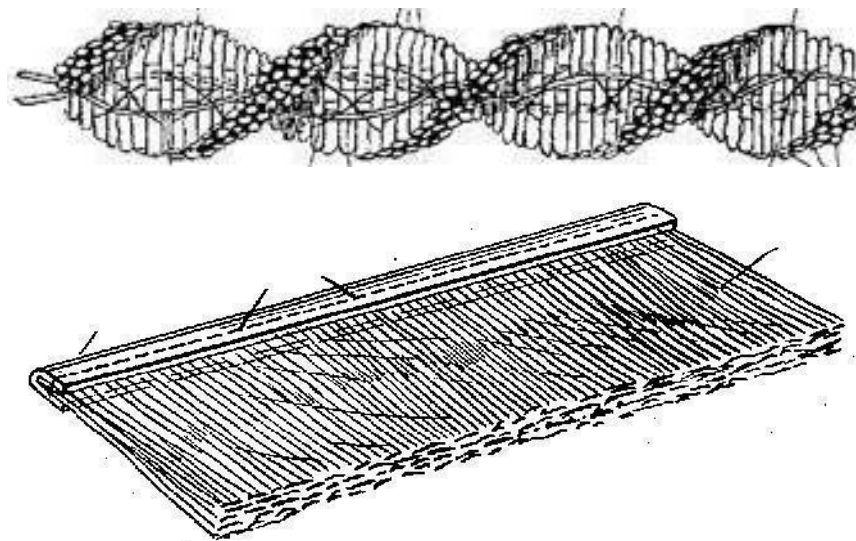
D04D 3/00

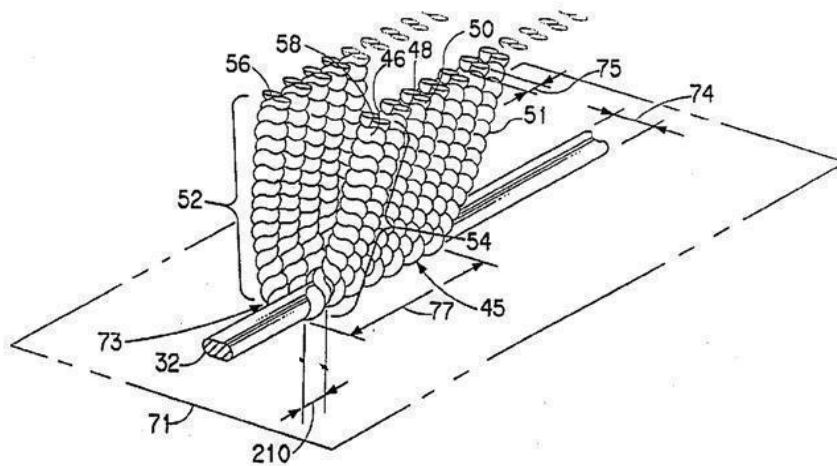
Chenille trimmings (chenille yarns [D02G](#); making chenille trimmings by weaving [D03D](#))

Definition statement

This place covers:

elongated articles including transversely oriented fibrous material, e.g. pile yarns, not strictly limited to a decorative purpose.





References

Informative references

Attention is drawn to the following places, which may be of interest for search:

Processes and machines for making chenille trimmings not provided for under D03 , D04B , D04C or D05C	D04D 11/00
---	----------------------------

Synonyms and Keywords

In patent documents, the following words/expressions are often used as synonyms:

- "pile element" or "tuftstring"

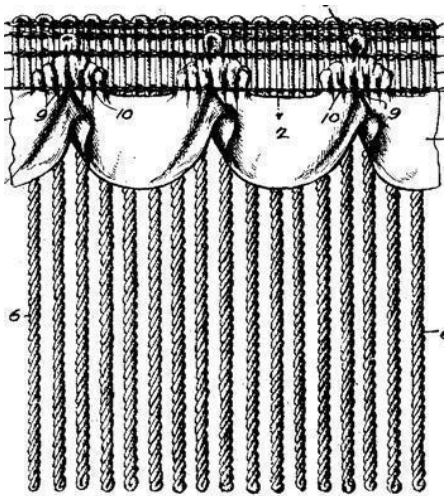
D04D 5/00

Fringes (tasselled [D04D 7/08](#))

Definition statement

This place covers:

ribbons including transversely oriented non pile-forming material, e.g. strips, bands or cords.



References

Limiting references

This place does not cover:

Chenille fringes	D04D 3/00
Tasselled fringes	D04D 7/08

Informative references

Attention is drawn to the following places, which may be of interest for search:

Processes and machines for making chenille trimmings not provided for under D03 , D04B , D04C or D05C	D04D 11/00
---	----------------------------

Synonyms and Keywords

In patent documents, the following words/expressions are often used as synonyms:

- "fringe", "valance", "festoon"

D04D 7/00

Decorative or ornamental textile articles

Definition statement

This place covers:

decorative textile articles, processes of making same and devices for performing said processes.

References

Informative references

Attention is drawn to the following places, which may be of interest for search:

Undergarments	A41B 9/00
Garment accessories	A41D

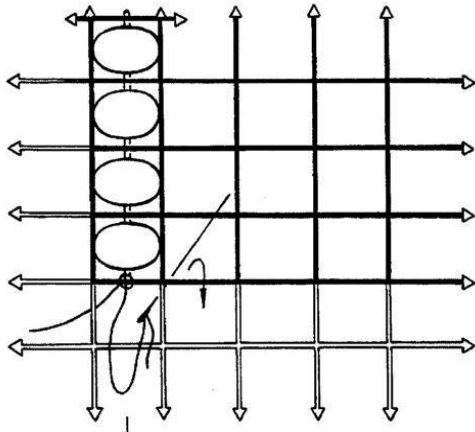
D04D 7/02

Flat articles

Definition statement

This place covers:

flat structures assembled from elongated textile decorative articles, e.g. beaded strings.



References

Limiting references

This place does not cover:

Fabrics with embellishments attached after the fabric forming process, e.g. by sewing or gluing	A41D 27/08
Fabrics with embellishments made by altering locally the surface material	B44C 1/005
Fabrics with embellishments incorporated by weaving	D03D
Fabrics with embellishments incorporated by knitting	D04B
Fabrics with embellishments applied by embroiding	D05C 17/00
Making patterns or designs on fabrics	D06C 23/00

D04D 7/04

Three-dimensional articles (ornamental buttons [A44B 1/04](#))

Definition statement

This place covers:

three dimensional decorative structures composed of one or more elongated textile articles.



References

Informative references

Attention is drawn to the following places, which may be of interest for search:

Elongated flexible Christmas tree decoration, e.g. tinsels, garlands, chains	A47G 33/0863
--	------------------------------

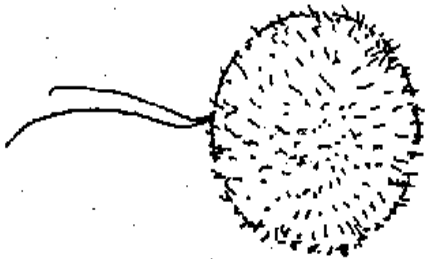
D04D 7/06

Ball-like tufts, e.g. pompons

Definition statement

This place covers:

Decorative articles with pile fibres, filaments, tapes or yarns arranged in an approximately spherical three-dimensional configuration.



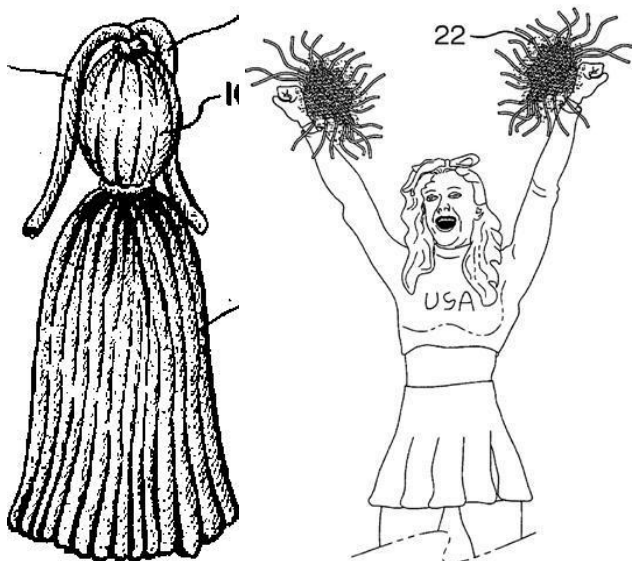
D04D 7/08

Tassels or tasseled fringes

Definition statement

This place covers:

decorative rope or strip bundles combined at one end or united at an intermediate portion.



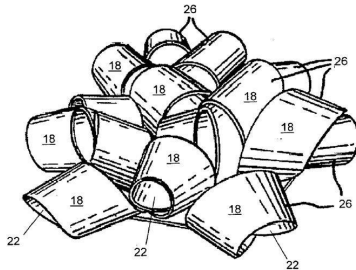
D04D 7/10

Decorative bow structures (neckties with ready-made knots or bows A41D 25/02)

Definition statement

This place covers:

three dimensional adornments including bunching tapes.



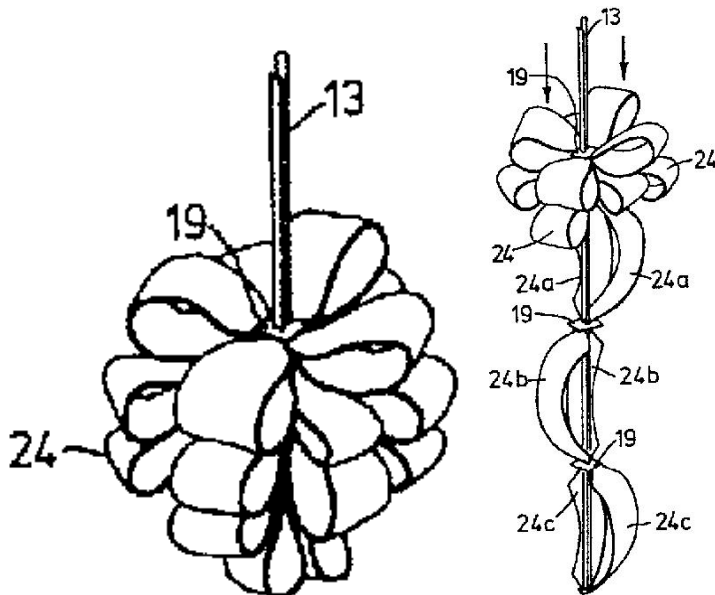
D04D 7/105

{made by means of a drawstring or drawstrip}

Definition statement

This place covers:

decorative bow structures formed or shaped by pulling one or more of the constituents.



D04D 9/00

Ribbons, tapes, welts, bands, beadings, or other decorative or ornamental strips, not otherwise provided for (made by laminating [B32B](#); binders for packaging purposes [B65D](#); adhesive tape [C09J 7/20](#); made by weaving [D03](#); made by braiding [D04C](#))

Definition statement

This place covers:

decorative or ornamental textile strips not provided for in one of the subclasses, and textile processes of making same.

References

Limiting references

This place does not cover:

Laminated tapes	B32B
Flexible elongated elements, e.g. straps, for bundling or supporting articles	B65D 63/00
Adhesive tapes	C09J 7/20
Woven curtain heading tapes	D03D 1/06
Woven tapes	D03D 3/005
Knitted or crocheted tapes	D04B 1/22 , D04B 21/20
Braided tapes	D04C 1/00

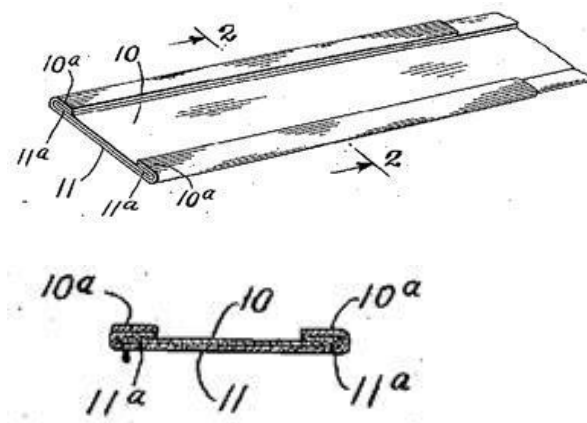
D04D 9/02

made by lengthwise folding of fabric strip

Definition statement

This place covers:

longitudinally folded or pleated decorative tapes.



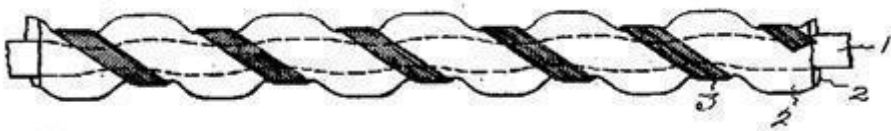
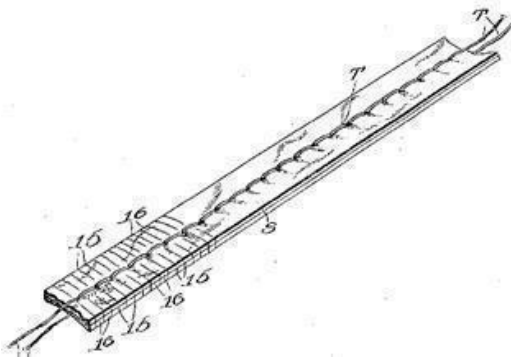
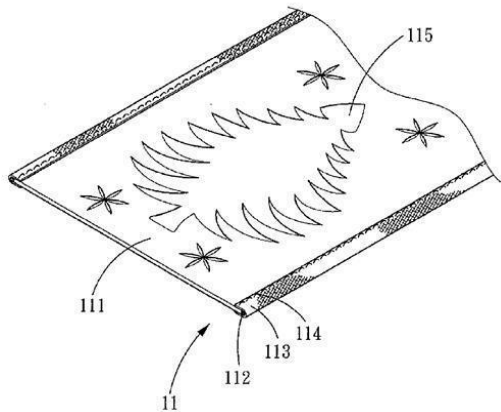
D04D 9/04

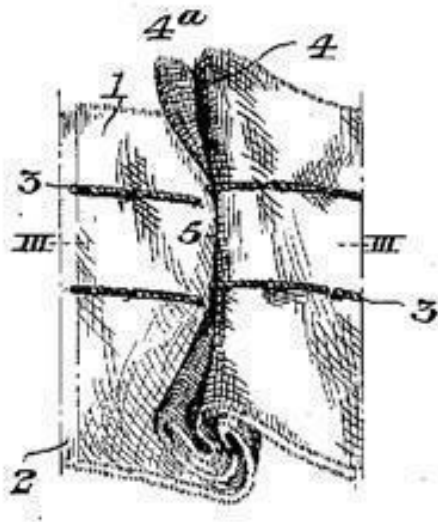
built-up from several strips or elements

Definition statement

This place covers:

assembled decorative tapes.



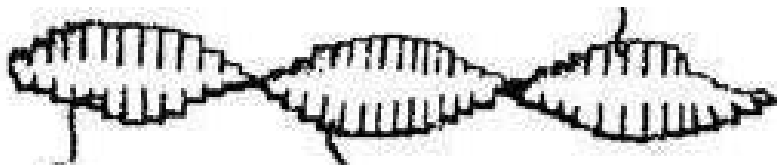


D04D 9/06

made by working plastics

Definition statement

This place covers:
decorative foil strips.



D04D 11/00

Ribbon-threading apparatus or devices (needles [D05B](#))

Definition statement

This place covers:

tools and machines for making decorative rope or ribbon articles.

