

## B64F

**GROUND OR AIRCRAFT-CARRIER-DECK INSTALLATIONS SPECIALLY ADAPTED FOR USE IN CONNECTION WITH AIRCRAFT; DESIGNING, MANUFACTURING, ASSEMBLING, CLEANING, MAINTAINING OR REPAIRING AIRCRAFT, NOT OTHERWISE PROVIDED FOR; HANDLING, TRANSPORTING, TESTING OR INSPECTING AIRCRAFT COMPONENTS, NOT OTHERWISE PROVIDED FOR**

### Definition statement

*This place covers:*

- Ground installations
- Aircraft carrier installations
- Ground installations specially adapted for captive aircraft
- Designing, manufacturing, assembling cleaning, repairing aircraft

## B64F 1/00

**Ground or aircraft-carrier-deck installations**

### Definition statement

*This place covers:*

- Runways and taxiways dispositions;
- Terminals.

### References

#### Application-oriented references

*Examples of places where the subject matter of this place is covered when specially adapted, used for a particular purpose, or incorporated in a larger system:*

Ground installations specially adapted for captive aircraft	<a href="#">B64F 3/00</a>
Launching, take-off or landing arrangements specially adapted for UAVs	<a href="#">B64U 70/00</a>
Transport or storage specially adapted for UAVs	<a href="#">B64U 80/00</a>

#### Informative references

*Attention is drawn to the following places, which may be of interest for search:*

Aircraft carriers	<a href="#">B63G 11/00</a>
Dispersing fog in general	<a href="#">E01H 13/00</a>
Wind tunnels	<a href="#">G01M 9/02</a>
Simulators for teaching control of aircraft	<a href="#">G09B 9/08</a>

**B64F 1/002****{Taxiing aids}****Definition statement***This place covers:*

- Indicators for taxiways;
- Docking systems for gates.

**References****Informative references***Attention is drawn to the following places, which may be of interest for search:*

Visual or acoustic landing aids	<a href="#">B64F 1/18</a>
Ground or aircraft-carrier-deck installations for towing aircraft	<a href="#">B64F 1/223</a>
Alighting gear characterised by powered wheels, e.g. for taxiing	<a href="#">B64C 25/405</a>

**B64F 1/005****{Protective coverings for aircraft not in use}****References****Informative references***Attention is drawn to the following places, which may be of interest for search:*

Tent-like garages	<a href="#">E04H</a>
-------------------	----------------------

**B64F 1/007****{Helicopter portable landing pads}****References****Informative references***Attention is drawn to the following places, which may be of interest for search:*

Paving take-off areas for vertically starting aircraft	<a href="#">E01C 9/008</a>
Landing platforms for helicopters	<a href="#">E01F 3/00</a>

**B64F 1/02****for arresting aircraft, e.g. nets or cables****Definition statement***This place covers:*

- Net type arresting gear at the end of runways;
- Arresting surfaces;
- Liquid barriers.

## References

### *Informative references*

Attention is drawn to the following places, which may be of interest for search:

Vehicle decelerating or arresting surfaces	<a href="#">E01C 9/007</a>
--	----------------------------

## B64F 1/027

{using net or mesh}

### Definition statement

*This place covers:*

Devices for arresting or capturing aircraft using nets or mesh.

## B64F 1/029

{using a cable or tether}

### Definition statement

*This place covers:*

Devices for arresting or capturing aircraft using cables or tethers.

## B64F 1/0295

{aerodynamically or aerostatically supported, e.g. parafoil or balloon}

### Definition statement

*This place covers:*

Arresting or capture devices that are supported via airborne means.

## References

### *Informative references*

Attention is drawn to the following places, which may be of interest for search:

Releasing or reberthing aircraft in flight	<a href="#">B64D 5/00</a>
--	---------------------------

## B64F 1/0297

{adjustable to align with aircraft trajectory}

### Definition statement

*This place covers:*

Devices which, when deployed, may be altered to arrest or capture aircraft from differing flight path angles.

**B64F 1/0299****{characterized by the use of multiple devices}****Definition statement***This place covers:*

Systems using multiple of the same or differing type of arresting or capturing devices.

**B64F 1/04****for launching aircraft****References****Informative references***Attention is drawn to the following places, which may be of interest for search:*

Railways	<a href="#">B61</a>
Aircraft adaptations to facilitate towing or being towed	<a href="#">B64D 3/00</a>
Ammunition launching gear	<a href="#">F41F</a>

**B64F 1/14****Towers or masts for mooring airships or balloons****References****Informative references***Attention is drawn to the following places, which may be of interest for search:*

Mooring attachments of lighter-than-air aircraft	<a href="#">B64B 1/66</a>
Building aspects	<a href="#">E04H 6/00</a> , <a href="#">E04H 12/00</a>

**B64F 1/18****Visual or acoustic landing aids****Definition statement***This place covers:*

- Acoustic aids;
- Wind vanes.

**References****Application-oriented references***Examples of places where the subject matter of this place is covered when specially adapted, used for a particular purpose, or incorporated in a larger system:*

Means for guiding landing UAVs toward a landing platform, e.g. lighting means	<a href="#">B64U 70/95</a>
---	----------------------------

**Informative references**

Attention is drawn to the following places, which may be of interest for search:

Taxiing aids	<a href="#">B64F 1/002</a>
Radio wave signals and beacons in general	<a href="#">G01S</a>
Optical or acoustic signalling in general	<a href="#">G08B</a>
Traffic control systems	<a href="#">G08G</a>

**B64F 1/20****Arrangement of optical beacons****Definition statement**

*This place covers:*

Arrangements of lights

**References****Informative references**

Attention is drawn to the following places, which may be of interest for search:

Lights	<a href="#">F21S</a>
--------	----------------------

**Special rules of classification**

There will be an indexing scheme for the following:

Underground lights indicating landing path

Lights using LEDs

**Glossary of terms**

*In this place, the following terms or expressions are used with the meaning indicated:*

LED	Light Emitting Diode
-----	----------------------

**B64F 1/22****for handling aircraft****Definition statement**

*This place covers:*

Installations on the ground or on carrier decks for the towing, storing and moving of aircraft not under their own power, including towing gear and including trolleys and dollies on which the aircraft may be temporarily placed.

**References****Informative references**

Attention is drawn to the following places, which may be of interest for search:

Taxiing aids	<a href="#">B64F 1/002</a>
--------------	----------------------------

## B64F 1/222

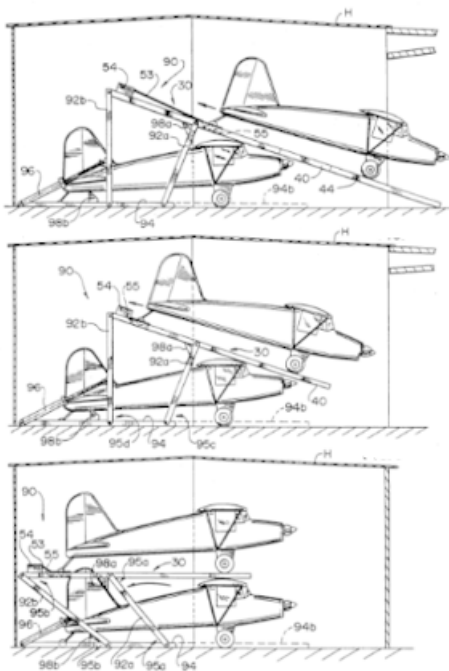
for storing aircraft, e.g. in hangars

### Definition statement

*This place covers:*

Installations such as conveyors or lifts on the ground, on aircraft-carrier decks or within buildings for moving aircraft to or from storage locations.

Illustrative example of subject matter classified in this place:



### References

#### Application-oriented references

*Examples of places where the subject matter of this place is covered when specially adapted, used for a particular purpose, or incorporated in a larger system:*

Moving UAV to supply/launch location	<a href="#">B64U 80/10</a>
--------------------------------------	----------------------------

#### Informative references

*Attention is drawn to the following places, which may be of interest for search:*

Buildings for storing aircraft	<a href="#">E04H 6/44</a>
--------------------------------	---------------------------

## B64F 1/223

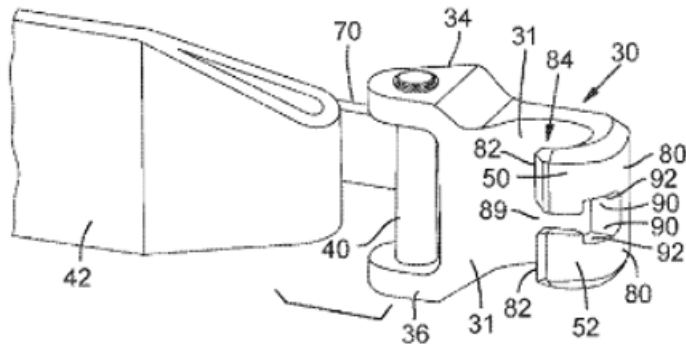
for towing aircraft

### Definition statement

*This place covers:*

Arrangements for towing aircraft while on the ground.

Illustrative example of subject matter classified in this group:



## References

### Informative references

Attention is drawn to the following places, which may be of interest for search:

Aircraft adaptations to facilitate towing or being towed	<a href="#">B64D 3/00</a>
--	---------------------------

## B64F 1/224

### {Towing bars}

#### Definition statement

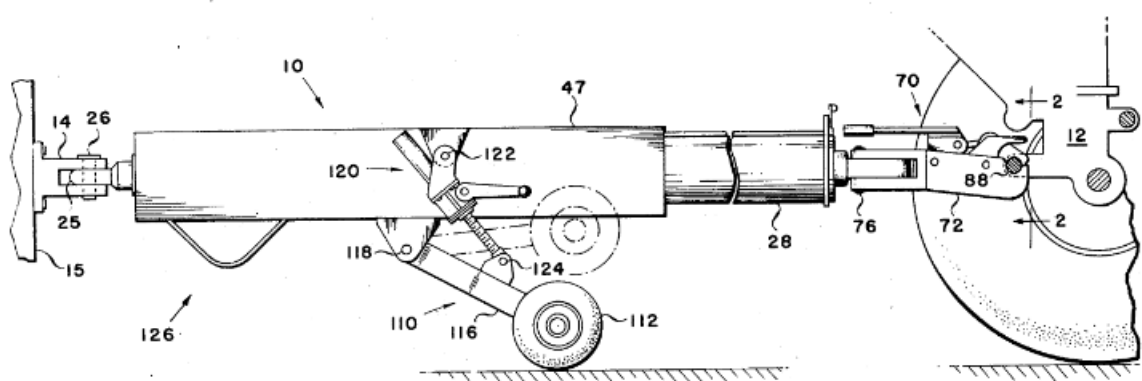
*This place covers:*

Bars connectable between an aircraft and a vehicle for towing, pushing or steering the aircraft on the ground.

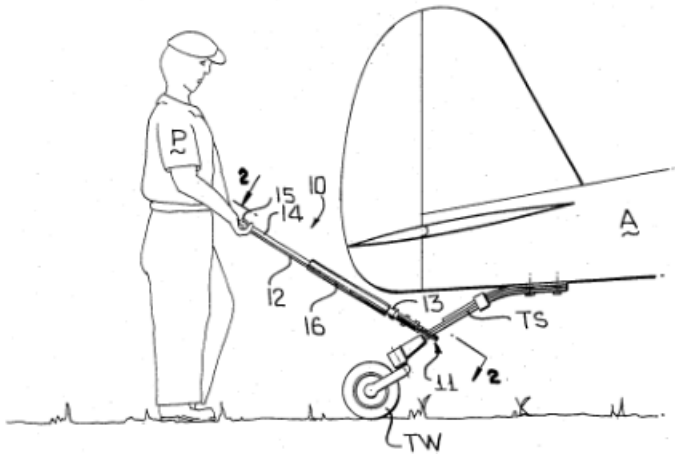
Bars connectable to an aircraft for manually turning or towing the aircraft by a person.

Illustrative example of subject matter classified in this group:

1. Bars connectable between an aircraft and a vehicle:



2. Bars connectable to an aircraft for manually turning or towing:



### Synonyms and Keywords

*In patent documents, the following words/expressions are often used as synonyms:*

- "towing bar", "tow bar" and "towing arm"

### B64F 1/225

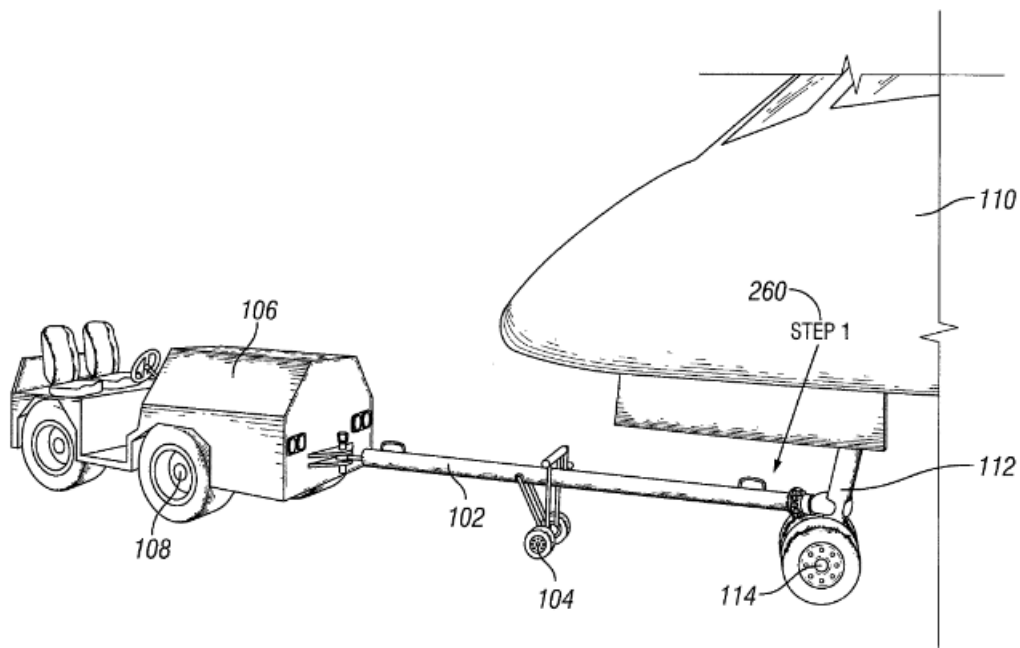
**Vehicles specially adapted therefor, e.g. aircraft tow tractors**

### Definition statement

*This place covers:*

Aircraft tow tractors, i.e. aircraft tugs, as well as hand manipulated vehicles such as hand carts or motorised walk-type tow tractors.

Illustrative example of subject matter classified in this place:





## References

### Informative references

Attention is drawn to the following places, which may be of interest for search:

Vehicles adapted for carrying aircraft	<a href="#">B60P 3/11</a>
Hand-propelled vehicles, e.g. hand carts	<a href="#">B62B</a>
Tractors	<a href="#">B62D 49/00</a>
Motor vehicles characterised by the driver not being seated	<a href="#">B62D 51/00</a>

## B64F 1/226

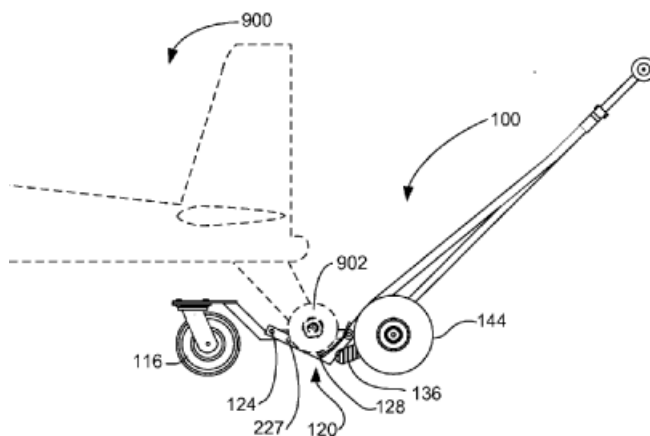
{hand manipulated, e.g. hand carts or motorised walk-type tractors}

### Definition statement

*This place covers:*

Vehicles for towing aircraft which are propelled by a walking person or steered by a walking person manually changing the direction of the vehicle.

Illustrative example of subject matter classified in this group:



## B64F 1/28

Liquid-handling installations specially adapted for fuelling stationary aircraft

## References

### Informative references

Attention is drawn to the following places, which may be of interest for search:

Handling liquid in general	<a href="#">B67</a>
----------------------------	---------------------

**B64F 1/30****for embarking or disembarking passengers****Definition statement***This place covers:*

Devices (not vehicles) adapted to transfer passengers between terminal and aircraft

**B64F 1/305****Bridges extending between terminal building and aircraft, e.g. telescopic, vertically adjustable****Definition statement***This place covers:*

Finger type gates

**References****Informative references***Attention is drawn to the following places, which may be of interest for search:*

Docking systems for gates	<a href="#">B64F 1/002</a>
---------------------------	----------------------------

**B64F 1/31****Passenger vehicles specially adapted to co-operate, e.g. dock, with aircraft or terminal buildings****Definition statement***This place covers:*

Vehicles adapted to transfer passengers between terminal and aircraft

**B64F 1/315****Mobile stairs****References****Informative references***Attention is drawn to the following places, which may be of interest for search:*

Movable stairways in general	<a href="#">E04F 11/04</a>
------------------------------	----------------------------

## B64F 1/32

### for handling freight

#### Definition statement

*This place covers:*

Ground installations or vehicles specially adapted for loading freight into and out of an aircraft, e.g. scissors type trucks.

#### References

##### *Informative references*

*Attention is drawn to the following places, which may be of interest for search:*

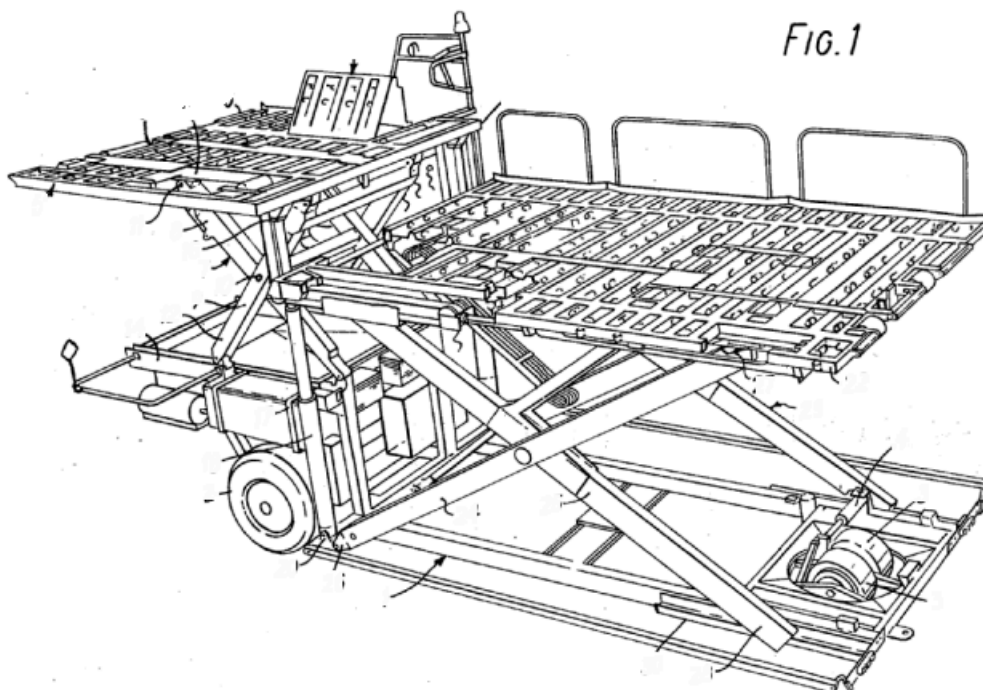
Load transporting vehicles modified to facilitate loading or unloading	<a href="#">B60P 1/00</a>
--	---------------------------

## B64F 1/322

{Cargo loaders specially adapted for loading air freight containers or palletized cargo into or out of the aircraft}

#### Definition statement

*This place covers:*

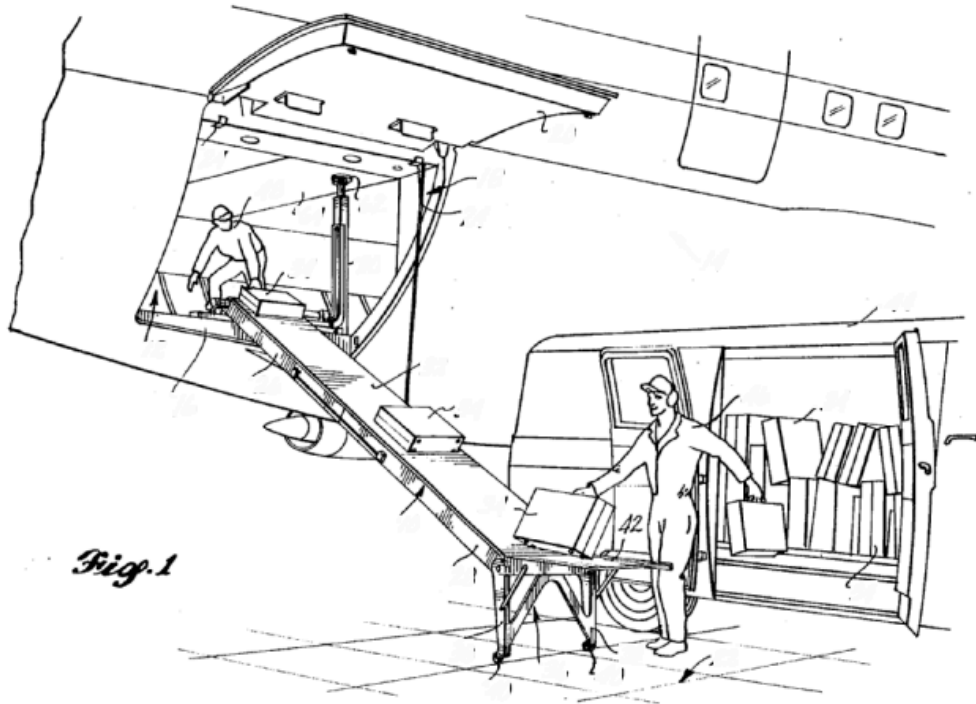


## B64F 1/324

{Luggage loaders specially adapted for loading individual luggage items into or out of the aircraft}

### Definition statement

*This place covers:*

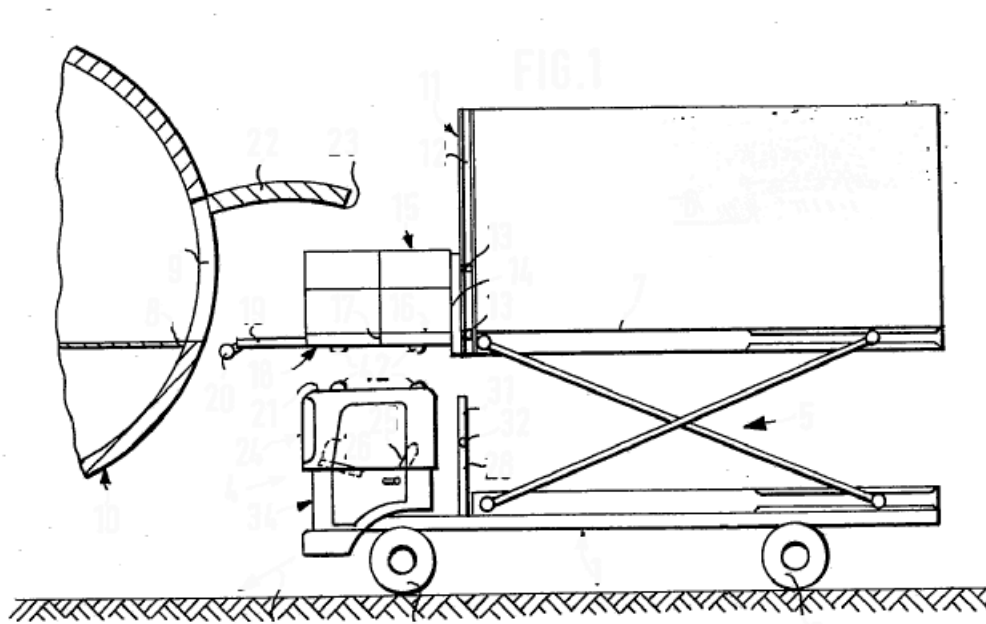


## B64F 1/326

{Supply vehicles specially adapted for transporting catering to and loading into the aircraft}

### Definition statement

*This place covers:*



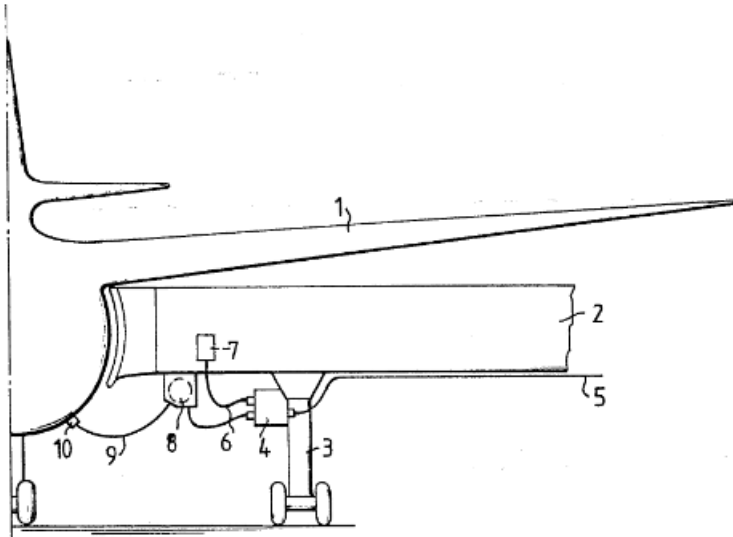
**B64F 1/35**

for supplying electrical power to stationary aircraft

**Definition statement**

*This place covers:*

Illustrative example of subject matter classified in this group:

**References****Informative references**

Attention is drawn to the following places, which may be of interest for search:

Charging batteries for electric vehicles	<a href="#">B60L 53/00</a>
Recharging batteries for UAVs	<a href="#">B64U 80/25</a>

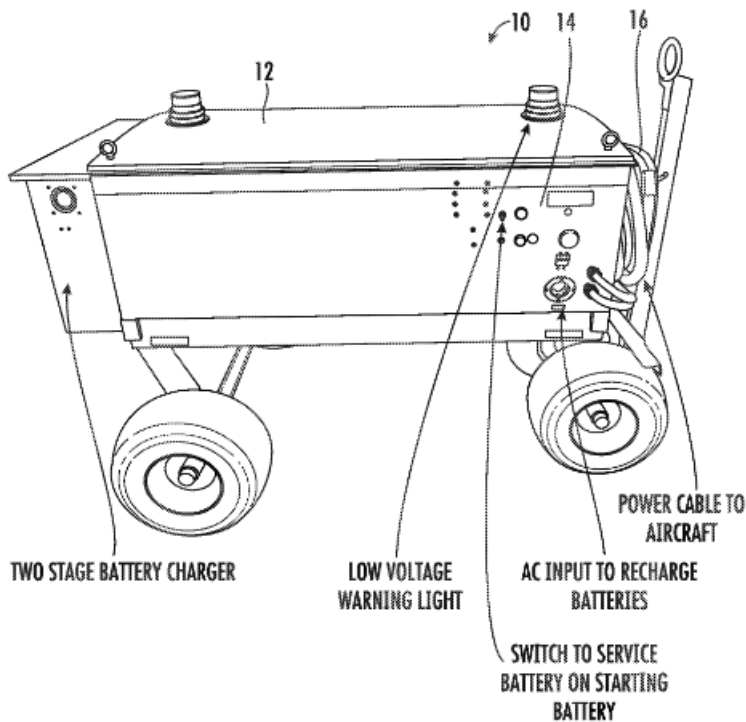
## B64F 1/352

{Mobile units}

### Definition statement

*This place covers:*

Illustrative example of subject matter classified in this group:



## B64F 1/36

Other airport installations (ground installations for de-icing aircraft [B64F 5/20](#))

### Definition statement

*This place covers:*

- Portable landing pads;
- Managing aircraft in airports;
- Sky jumps.

### References

#### Limiting references

*This place does not cover:*

Ground installations for de-icing aircraft	<a href="#">B64F 5/20</a>
--	---------------------------

#### Informative references

*Attention is drawn to the following places, which may be of interest for search:*

Construction of, or surfacing for, airfields	<a href="#">E01C</a>
--	----------------------

## B64F 1/362

{Installations for supplying conditioned air to parked aircraft}

### Definition statement

*This place covers:*

- Fixed installations for supplying conditioned air to aircraft;
- Hoses therefor.

### References

#### Informative references

*Attention is drawn to the following places, which may be of interest for search:*

Air conditioning for aircraft crew or passengers, or freight space	<a href="#">B64D 13/06</a>
Air conditioning in general	<a href="#">F24F</a>

## B64F 1/364

{Mobile units}

### Definition statement

*This place covers:*

Mobile installations for supplying conditioned air to aircraft.

### References

#### Informative references

*Attention is drawn to the following places, which may be of interest for search:*

Air conditioning for aircraft crew or passengers, or freight space	<a href="#">B64D 13/06</a>
Air conditioning in general	<a href="#">F24F</a>

## B64F 1/366

{Check-in counters}

### Definition statement

*This place covers:*

- Check-in counters
- Routing baggage from counters to aircraft

### References

#### Informative references

*Attention is drawn to the following places, which may be of interest for search:*

Detecting prohibited goods, e.g. weapons, explosives, hazardous substances, contraband or smuggled objects	<a href="#">G01V 5/20</a>
Tags	<a href="#">G01V 15/00</a>
Entry or exit registers	<a href="#">G07C 9/00</a>



## B64F 3/00

### Ground installations specially adapted for captive aircraft

#### Definition statement

*This place covers:*

Installations in the ground specifically adapted for use with aircraft designed to maintain physical contact with the earth while in flight (i.e. the ground-based equipment for captive/tethered aircraft (which aircraft would be in [B64C 39/022](#))).

#### References

##### Informative references

*Attention is drawn to the following places, which may be of interest for search:*

Railway aspects	<a href="#">B61</a>
-----------------	---------------------

## B64F 5/00

### Designing, manufacturing, assembling, cleaning, maintaining or repairing aircraft, not otherwise provided for; Handling, transporting, testing or inspecting aircraft components, not otherwise provided for

#### Definition statement

*This place covers:*

Methods and installations not covered in any of the groups [B64B](#), [B64C](#), [B64D](#) and involved in: aerodynamic and structural design, testing, cleaning and polishing, maintaining (including keeping ready for flight, such as de-icing), and repairing of aircraft and aircraft-specific parts, components, and subassemblies and assembling of these into aircraft-specific subassemblies and entire aircraft.

#### References

##### Informative references

*Attention is drawn to the following places, which may be of interest for search:*

Devices for detecting or indicating a hard landing	<a href="#">B64D 2045/008</a>
Devices for aircraft health monitoring	<a href="#">B64D 2045/0085</a>
Measuring length; thickness or similar linear dimensions; measuring angles; measuring areas; measuring irregularities of surfaces or contours	<a href="#">G01B</a>
Aerodynamic testing; Arrangements in or on wind tunnels	<a href="#">G01M 9/00</a>
Computer-aided design of aircraft	<a href="#">G06F 30/15</a>
Computer-aided design of aircraft fuselages	<a href="#">G06F 2113/28</a>
Administration, management	<a href="#">G06Q 10/00</a>
Indicating or registering the working of machines	<a href="#">G07C 5/00</a>

## B64F 5/10

### Manufacturing or assembling aircraft, e.g. jigs therefor

#### Definition statement

*This place covers:*

- Devices specially adapted for assembling or manufacturing aircraft
- Jigs therefor

#### References

##### *Informative references*

*Attention is drawn to the following places, which may be of interest for search:*

Work benches	<a href="#">B25H 1/00</a>
--------------	---------------------------

## B64F 5/20

### Ground installations for de-icing aircraft

#### Definition statement

*This place covers:*

Devices for the detection of icing conditions on aircraft on the ground.

#### References

##### *Informative references*

*Attention is drawn to the following places, which may be of interest for search:*

Vehicles adapted to transport, to carry or to comprise special loads or objects	<a href="#">B60P 3/00</a>
Aircraft-fitted installations for de-icing or preventing icing on exterior surfaces of aircraft	<a href="#">B64D 15/00</a>
Indicating weather conditions	<a href="#">G01W 1/00</a>
Alarm responsive to formation or anticipated formation of ice	<a href="#">G08B 19/02</a>

## B64F 5/60

### Testing or inspecting aircraft components or systems

#### Definition statement

*This place covers:*

- Maintenance equipment
- Health monitoring

#### References

##### *Informative references*

*Attention is drawn to the following places, which may be of interest for search:*

Registering or indicating the working of vehicles	<a href="#">G07C 5/00</a>
---	---------------------------