

## B61K

**AUXILIARY EQUIPMENT SPECIALLY ADAPTED FOR RAILWAYS, NOT OTHERWISE PROVIDED FOR (energy-storing brakes [B61H](#); protection of permanent way against weather influences [E01B](#); rail cleaning, snow ploughs [E01H](#))**

### Definition statement

*This place covers:*

All auxiliary devices and methods needed to make railways safer, faster and energy efficient.

## B61K 1/00

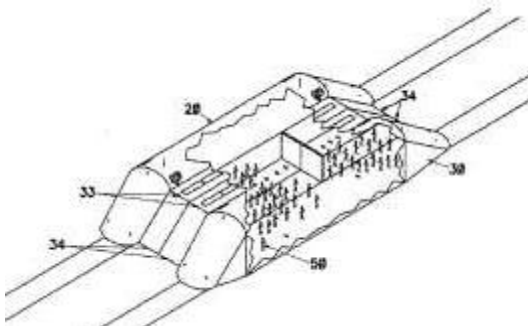
**Transferring passengers, articles, or freight to and from moving trains;  
Slipping or coupling vehicles from or to moving trains**

### Definition statement

*This place covers:*

Transit systems and methods wherein passengers or freights board and exit during moving of vehicles or wherein rail vehicles are coupled/uncoupled during motion.

Following drawing shows one example (US2010307368):



## B61K 3/00

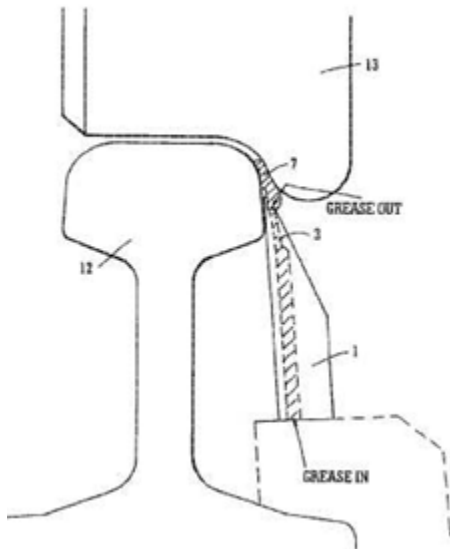
**Wetting or lubricating rails or wheel flanges**

### Definition statement

*This place covers:*

Devices and methods for the application of lubricant onto the surface of rails or wheels.

Following drawing shows one example:



## References

### Informative references

Attention is drawn to the following places, which may be of interest for search:

Lubricating for vehicles	<a href="#">B60R 17/00</a>
Lubrication for locomotives	<a href="#">B61C 17/08</a>
Lubricating stick	<a href="#">C10M 105/00</a>
Cleaning of rails	<a href="#">E01H</a>
Lubricating in general	<a href="#">F16N</a>

## B61K 5/00

**Apparatus for placing vehicles on the track; Derailers; Lifting or lowering rail vehicle axles or wheels (hoisting apparatus [B66](#))**

### Definition statement

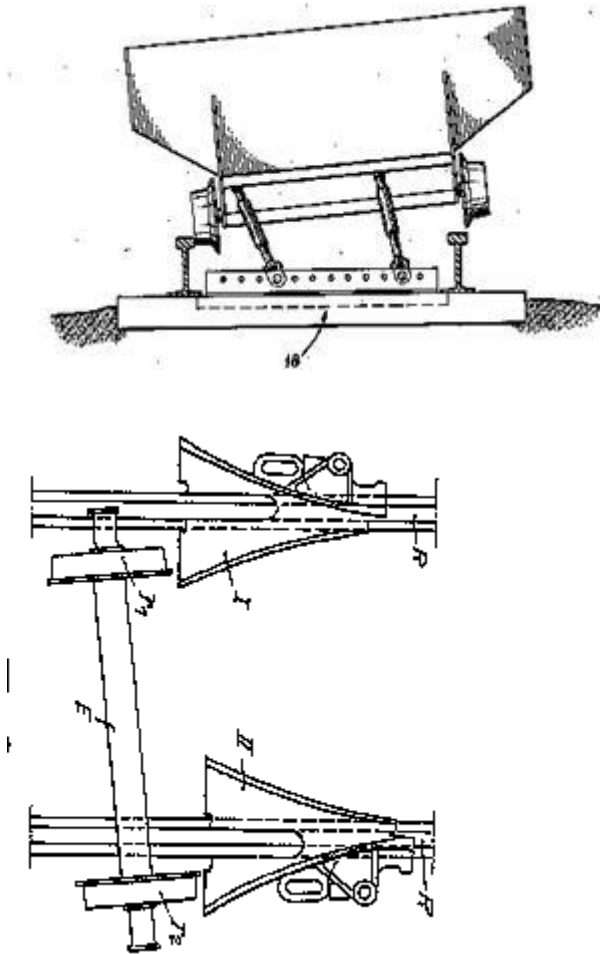
*This place covers:*

The titles of this group are self-explanatory and do not need to be more specified.

Typical examples are:

- Portable derailing device.
- Device for lifting a rail vehicle while standing on the rail.
- Re-railer apparatus for placing derailed railway vehicle back onto the track.

Following drawings show two examples:



## References

### Informative references

Attention is drawn to the following places, which may be of interest for search:

Lifts	<a href="#">B66F 7/02</a>
-------	---------------------------

## B61K 7/00

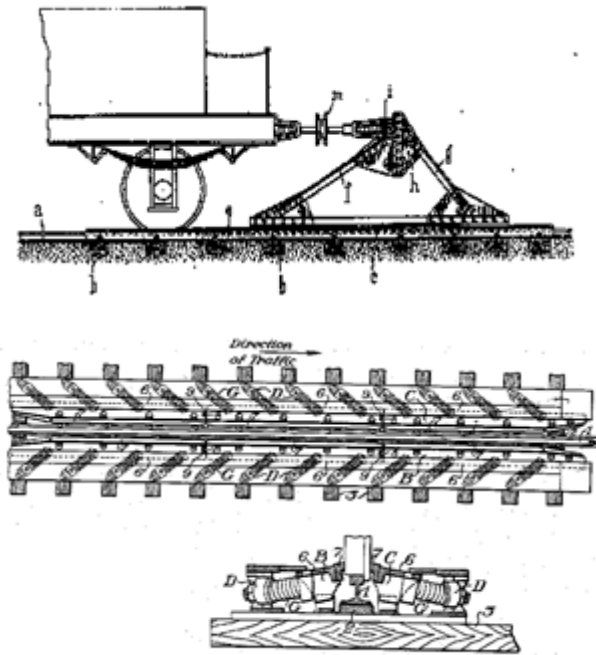
**Railway stops fixed to permanent way; Track brakes or retarding apparatus fixed to permanent way; Sand tracks or the like (skids, wedges, vehicle-mounted scotch blocks [B61H](#))**

### Definition statement

*This place covers:*

Devices and methods for retarding or stopping the movement of the railway vehicle, the devices and methods being located on the track.

Following drawings show two examples:



## **B61K 7/14**

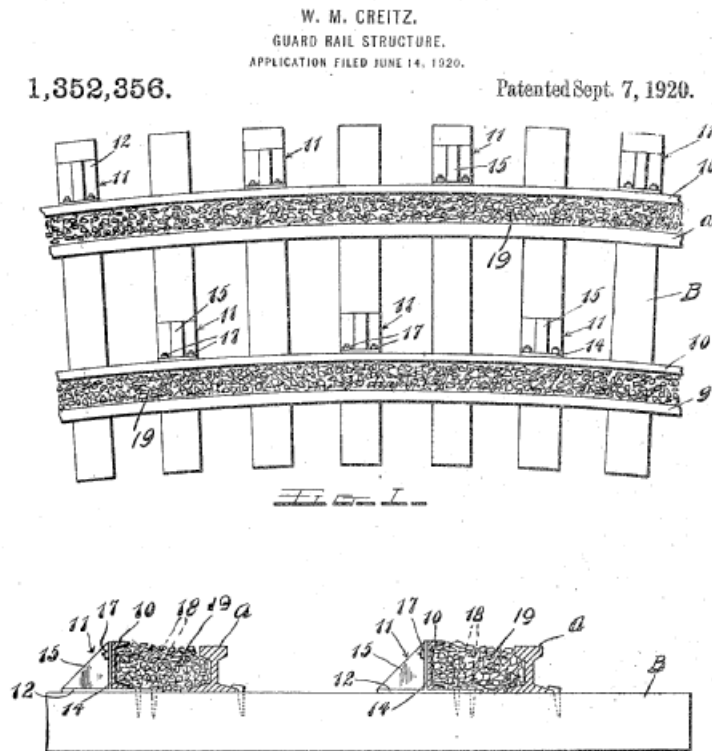
### **Sand or like tracks**

#### **Definition statement**

*This place covers:*

Means combined with a track using sand or materials which have a retarding effect on the wheels.

Illustrative example of subject matter classified in this group:



## References

### Limiting references

This place does not cover:

Sanding apparatus	<a href="#">B61C 15/10</a>
-------------------	----------------------------

## B61K 9/00

**Railway vehicle profile gauges; Detecting or indicating overheating of components; Apparatus on locomotives or cars to indicate bad track sections; General design of track recording vehicles**

### Definition statement

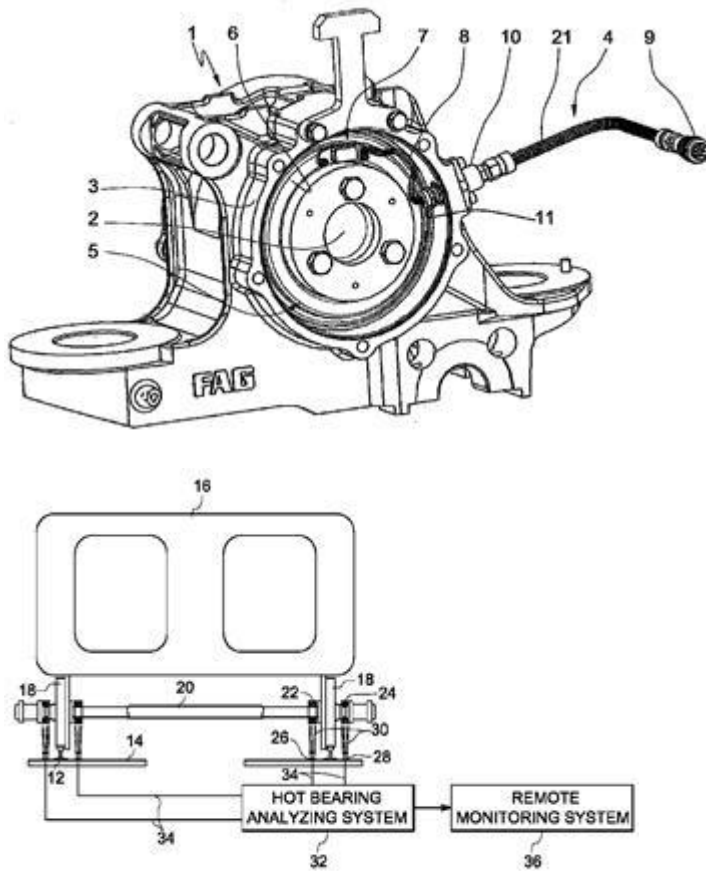
This place covers:

The titles of this group are self-explanatory and do not need to be more specified.

Typical examples are:

- Method for detecting of imbalance in wheels of rail vehicle.
- Train wheel bearing temperature detection.
- Sensors for rail vehicle wheel bearing unit.
- Method and device for contactless measurement of the deformation and wear of railroad tracks.
- Acoustic monitoring of railcar running gear.

Following drawings show two examples:



## References

### Informative references

Attention is drawn to the following places, which may be of interest for search:

Manufacturing wheels	<a href="#">B23B 5/28</a> , <a href="#">B24B 5/30</a> , <a href="#">B24B 21/02</a>
Reconditioning wheels	<a href="#">B23B 5/32</a>
Railway wheels	<a href="#">B60B 17/00</a>
Brake-action in case of accident	<a href="#">B60T 7/124</a>
Adjusting wheel-braking force	<a href="#">B60T 8/00</a>
Control, warning or safety means	<a href="#">B61L</a>
Track-building in general	<a href="#">E01B</a>
Measuring for track-building purposes	<a href="#">E01B 35/00</a>
Measuring arrangements	<a href="#">G01B 17/00</a>
Weighing apparatus or method	<a href="#">G01G 19/04</a> - <a href="#">G01G 19/06</a>
Measuring mechanical vibrations	<a href="#">G01H 17/00</a>
Radiation pyrometry	<a href="#">G01J 5/0022</a>
Casings	<a href="#">G01J 5/04</a>
Thermometers for measuring temperature of moving bodies	<a href="#">G01K 13/04</a>

Testing of railway vehicles	<a href="#">G01M 17/08</a> , <a href="#">G01M 17/10</a>
Investigating in general	<a href="#">G01N</a>
Investigating presence of flaws	<a href="#">G01N 25/72</a>
Investigating of materials by using ultrasonic	<a href="#">G01N 29/00</a>
Measuring speed	<a href="#">G01P 3/00</a> .
Navigation for trains	<a href="#">G01S 5/02</a>

## B61K 11/00

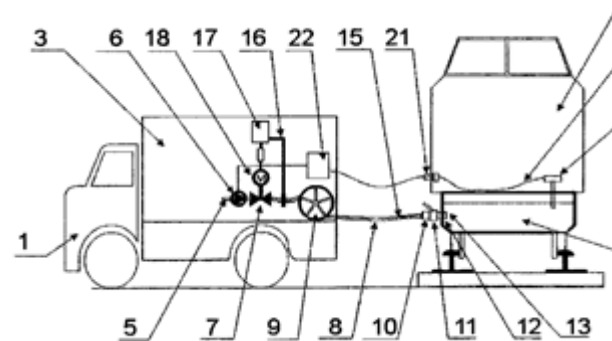
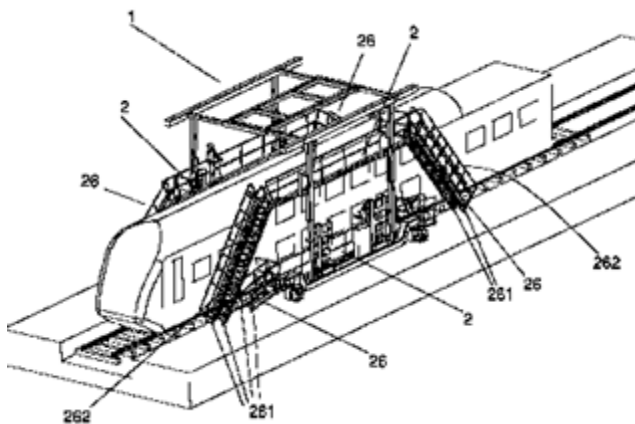
Serving peculiar to locomotives, e.g. filling with, or emptying of, water, sand, or the like at the depots (lifting or lowering axles or wheels [B61K 5/00](#); filling stations for steam or pneumatic accumulator locomotives [B61C 8/00](#); water or fuel supply fittings on locomotives [B61C 17/02](#); refuelling locomotives with solid fuels [B65G 67/18](#); washing or cleaning boilers [F28G](#))

### Definition statement

*This place covers:*

The titles of this group are self-explanatory and do not need to be more specified.

Following drawings shows two examples:



## References

### Informative references

Attention is drawn to the following places, which may be of interest for search:

Transport or storage devices	<a href="#">B65G</a>
Conveying materials in bulk	<a href="#">B65G 53/00</a>

## B61K 13/00

Other auxiliaries or accessories for railways (safety belts or harnesses  
[A62B 35/00](#))

### Definition statement

This place covers:

Other auxiliary devices and methods that are not in [B61K 1/00](#) - [B61K 11/00](#).

Following drawing shows one example:

