

B61J

SHIFTING OR SHUNTING OF RAIL VEHICLES (shifting vehicles in general [B60S](#); marshalling systems [B61B](#))

Definition statement

This place covers:

Devices and methods for moving a railway vehicle intra-yards.

References

Limiting references

This place does not cover:

Marshalling systems	B61B 1/00
---------------------	---------------------------

Informative references

Attention is drawn to the following places, which may be of interest for search:

Shifting vehicles in general	B60S
------------------------------	----------------------

B61J 1/00

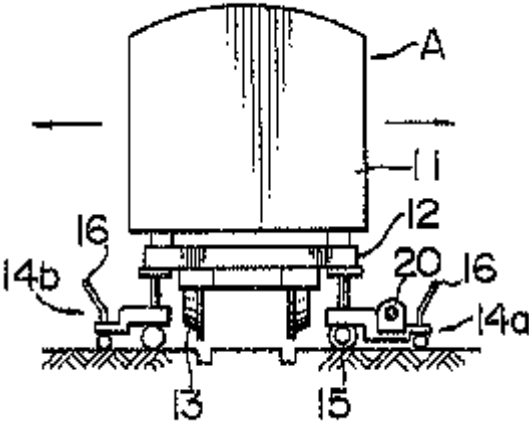
Turntables; Traversers; Transporting rail vehicles on other rail vehicles or dollies (shunting [B61J 3/00](#))

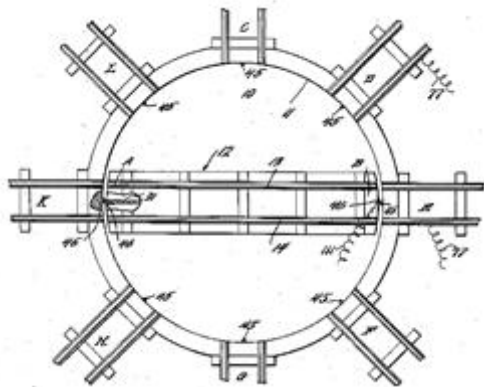
Definition statement

This place covers:

The titles of this group are self-explanatory and do not need to be more specified.

Following drawings show two examples:





References

Limiting references

This place does not cover:

Shunting	B61J 3/00
----------	---------------------------

B61J 3/00

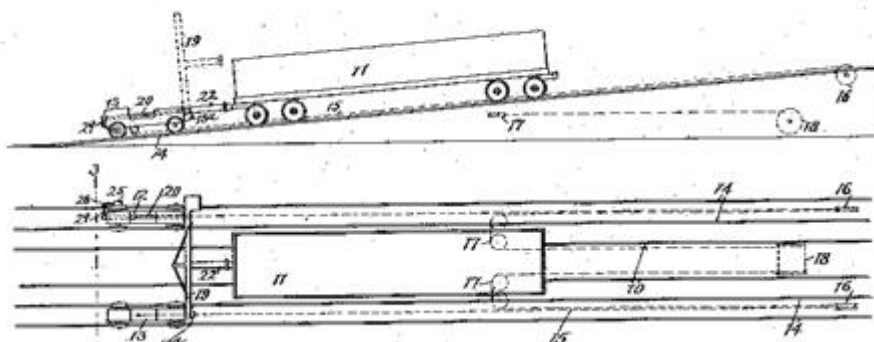
Shunting or short-distance haulage devices; Similar devices for hauling trains on steep gradients or as starting aids; Car propelling devices therefor (overhead travelling cranes combined with auxiliary means for shunting railway vehicles [B66C 17/26](#); capstans [B66D](#))

Definition statement

This place covers:

The titles of this group are self-explanatory and do not need to be more specified.

Following drawing shows one example:



References

Limiting references

This place does not cover:

Overhead travelling cranes combined with auxiliary means for shunting railway vehicles	B66C 17/26
Capstans	B66D

Capstans for shunting	B66D 1/78
-----------------------	---------------------------

B61J 99/00

Subject matter not provided for in other groups of this subclass

Definition statement

This place covers:

Devices and methods not covered by groups [B61J 1/00](#) - [B61J 3/00](#).