

## B27C

**PLANING, DRILLING, MILLING, TURNING OR UNIVERSAL MACHINES FOR WOOD OR SIMILAR MATERIAL (machine tools in general [B23](#); working wood using abrasive, e.g. sanding, devices [B24](#); tools for these purposes [B27G](#))**

### Definition statement

*This place covers:*

Planing, drilling, milling, turning (Wood-turning devices for reducing sticks of wood to a desired form by means of rotary or non-rotary cutters brought into engagement with the circumference of the continuously-rotating stick or by means of rotary or non-rotary cutters revolving circumferentially around and in engagement with the stick or that portion of the stick to be reduced), universal machines

### References

#### Informative references

Attention is drawn to the following places, which may be of interest for search:

Machine tools in general	<a href="#">B23</a>
Working wood using abrasive, e.g. sanding, devices	<a href="#">B24</a>
Tools for these purposes	<a href="#">B27G</a>

## B27C 1/00

**Machines for producing flat surfaces, e.g. by rotary cutters; Equipment therefor**

### Definition statement

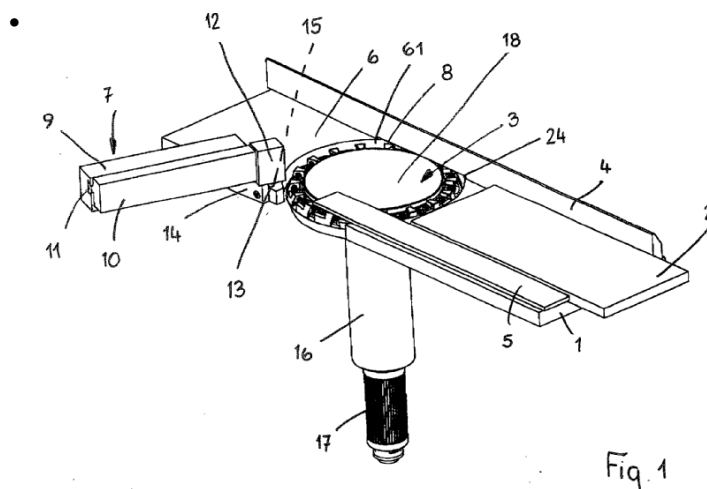
*This place covers:*

knives or blades for planers and jointers [B27C 1/00](#)

Woodworking machines used to produce a flat surface along a board's length (jointer or planer)

with rotating or non-rotating tools

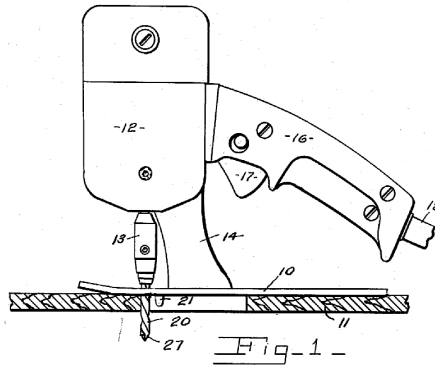
with tools having a rotational vector which is perpendicular to the working surface [B27C 1/005](#)



DE 10 2006 015 692 A1 2007.10.04  
Anhängende Zeichnungen

- For cutting through a work-piece with a tool having a rotational vector which is parallel to the surfaces generated by cutting [B27C 1/007](#)

- Aug. 2, 1955 D. H. PEDERSEN 2,714,408  
SCROLL CUTTING TOOL  
Filed Dec. 28, 1953



- Smoothing, i.e. working one side only [B27C 1/02](#)
- Thicknessing machines [B27C 1/04](#)
- Machines for smoothing and subsequent thicknessing [B27C 1/06](#)
- Machines for working several sides of work simultaneously [B27C 1/08](#)
- Hand planes equipped with power-driven cutter blocks [B27C 1/10](#)
- Arrangements for feeding work [B27C 1/12](#)
- Other details or accessories [B27C 1/14](#)

**References**

**Informative references**

Attention is drawn to the following places, which may be of interest for search:

Machines designed for producing special profiles or shaped work, e.g. by rotary cutters; Equipment therefor	<a href="#">B27C 5/00</a>
Accessories fitted to machine tools for keeping tools or parts of the machine in good working condition or for cooling work; Safety devices specially combined with or arranged in, or specially adapted for use in connection with, machine tools	<a href="#">B23Q 11/00</a>
Cutter blocks; Other rotary cutting tools	<a href="#">B27G 13/00</a>

**Synonyms and Keywords**

In patent documents, the following words/expressions are often used as synonyms:

- "jointer", "planer", "surface planer", "buzzer" and "flat top"

**B27C 3/00**

**Drilling machines or drilling devices; Equipment therefor ([B23B](#) takes precedence)**

**References**

**Informative references**

Attention is drawn to the following places, which may be of interest for search:

General-purpose boring or drilling machines or devices	<a href="#">B23B 39/00</a>
Drill jigs	<a href="#">B23B 47/00</a>

## Special rules of classification

[B23B](#) takes precedence

## B27C 5/00

**Machines designed for producing special profiles or shaped work, e.g. by rotary cutters; Equipment therefor (turning [B27C 7/00](#); features of copying devices [B23Q 35/00](#); slotting, mortising, making tongues or grooves [B27F](#))**

## References

### Limiting references

*This place does not cover:*

Turning	<a href="#">B27C 7/00</a>
Features of copying devices	<a href="#">B23Q 35/00</a>
Slotting, mortising, making tongues or grooves	<a href="#">B27F</a>

## B27C 7/00

**Wood-turning machines; Equipment therefor ([B23B](#), [B23G](#), [B23Q](#), take precedence; features of copying devices [B23Q 35/00](#))**

## Definition statement

*This place covers:*

Wood-turning machines are devices for reducing sticks of wood to a desired form by means of rotary or non-rotary cutters brought into engagement with the circumference of the continuously-rotating stick or by means of rotary or non-rotary cutters revolving circumferentially around and in engagement with the stick or that portion of the stick to be reduced.

## References

### Informative references

*Attention is drawn to the following places, which may be of interest for search:*

Features of copying devices	<a href="#">B23Q 35/00</a>
-----------------------------	----------------------------

## B27C 9/00

**Multi-purpose machines; Universal machines; Equipment therefor**

## Definition statement

*This place covers:*

Machines that are useful for many purposes, e.g., convertible machines (machines that cannot be defined by the tool used if they have one or more spindles in which tools of different categories can be inserted, i.e drill or mill or saw etc., thus designed for performing more than one operation) and machines which carry out multiple operations whether the same or different.

**References*****Informative references***

*Attention is drawn to the following places, which may be of interest for search:*

Machines designed for producing special profiles or shaped work, e.g. by rotary cutters	<a href="#">B27C 5/00</a>
Slotting, mortising, making tongues or grooves	<a href="#">B27F</a>
Multi-step processes	<a href="#">B27M 1/08</a>