

## A63C

### SKATES; SKIS; ROLLER SKATES; DESIGN OR LAYOUT OF COURTS, RINKS OR THE LIKE (water skis [B63B 32/00](#), [B63B 34/00](#))

#### Definition statement

*This place covers:*

Sport and recreation equipment with runners, rollers or any surface traversing device, where steering is achieved by body movement. The body movement can be supported by means for leaning, e.g. handle bars without a direct steering function.

In particular:

- Skis and snowboards;
- Roller skates; inline skates, skateboards or roller skis;
- Bindings therefor;
- Devices preventing skis or snowboards from slipping back, e.g. stoppers or brakes;
- Other accessories therefor.

Snow shoes.

Sport courts.

In particular:

- Design or layout of playing courts, rinks, or areas for water-skiing;
- Covers therefor.

#### References

##### Limiting references

*This place does not cover:*

Water sports boards; Accessories therefor	<a href="#">B63B 32/00</a>
Watersledges	<a href="#">B63B 32/20</a>
Waterskis	<a href="#">B63B 32/30</a>
Vessels specially adapted for water sports or leisure; Body-supporting devices specially adapted for water sports or leisure	<a href="#">B63B 34/00</a>
Water shoes; Bog shoes	<a href="#">B63B 34/56</a>

##### Informative references

*Attention is drawn to the following places, which may be of interest for search:*

Footwear for skating, skiing or snowboarding	<a href="#">A43B 5/00</a>
Training devices for skiing, snowboarding or skating	<a href="#">A63B 69/00</a>
Chutes; Helter skelters	<a href="#">A63G 21/00</a>
Race courses; Race tracks	<a href="#">A63K 1/00</a>
Fittings on vehicles for carrying skis	<a href="#">B60R 9/12</a>
Handcarts	<a href="#">B62B</a>
Sledges with runners	<a href="#">B62B 13/00</a>
Ice boats or sailing sledges	<a href="#">B62B 15/00</a>

Non-motorised scooters; Kickboards	<a href="#">B62K 3/00</a>
Surface construction for playgrounds or sports	<a href="#">E01C 13/10</a>

## A63C 1/00

### Skates (roller skates or skate boards [A63C 17/00](#))

#### Definition statement

*This place covers:*

Skates with blade runners, e.g. ice runner, skateboards with such runners.

#### References

##### Limiting references

*This place does not cover:*

Sledges with runners	<a href="#">B62B 13/00</a>
----------------------	----------------------------

#### Glossary of terms

*In this place, the following terms or expressions are used with the meaning indicated:*

Blade	due to lack of normalisation, the term blade is used indifferently for the blade holder or the part, usually made of metal, contacting the ice or surface
Blade holder	is the part making the junction between the shoe holder and the blade itself, is also referred to as chassis or blade

## A63C 1/28

### Pivotally-mounted plates

#### Definition statement

*This place covers:*

Skates with a plate pivoting on the skate chassis during use, e.g. clap-skates

## A63C 1/30

### with special blades

#### Definition statement

*This place covers:*

Special construction or structure of the blade holder

## A63C 1/32

### Special constructions of the simple blade

#### Definition statement

*This place covers:*

Details of the simple blade itself, i.e. the part being in use in contact with the ice or surface

## A63C 1/34

### Multi-part blades

#### Definition statement

*This place covers:*

Skates where the ice or surface contacting part is formed of several sub-blades in line and/or comprises more than 2 edges.

## A63C 1/36

### with several blades

#### Definition statement

*This place covers:*

Skates where the ice or surface contacting part is formed of several blades, e.g. side by side, e.g. in the form of several ice wheels

## A63C 3/00

### Accessories for skates

#### Definition statement

*This place covers:*

-Accessories for use during skating, e.g. support for the foot joint, with the exclusion of apparel like garments, shoes, body protectors or goggles.

Accessories related to the practice of skating, e.g. supporting frames, e.g. for transportation or storage of skates, as so far as these are especially adapted for skis or snowboards or the above.

Accessories implying the use of a skate, or mounted thereon, e.g. special spikes, guards.

## A63C 3/04

### Supporting frames or gliders for skaters

#### Definition statement

*This place covers:*

Supporting frames or gliders, e.g. auxiliary support device, for helping skaters to stabilise on ice, e.g. for learning skating

## A63C 3/10

### Auxiliary devices for sharpening blades

#### References

##### *Informative references*

*Attention is drawn to the following places, which may be of interest for search:*

Grinding machines for sharpening skate blade edges	<a href="#">B24B 3/003</a>
Non-rotary grinding hand tools for sharpening skate blades	<a href="#">B24D 15/066</a>

## A63C 3/12

### Guards for skate blades

#### Definition statement

*This place covers:*

Guards that fit over the blade or that keep the blade from contacting the ice or surface, e.g. for transportation, e.g. for walking on it.

## A63C 5/00

**Skis or snowboards (sledges with runners, e.g. ski-bobs, [B62B 13/00](#); runners for sledges [B62B 17/02](#); runners for carrying wheeled vehicles to facilitate travel on snow or ice [B62B 19/00](#))**

#### Definition statement

*This place covers:*

Snow runners where steering is achieved by body movement, e.g. skis, snow skates, monoskis, snowboards, snow skateboards

#### References

##### *Limiting references*

*This place does not cover:*

Sledges with runners	<a href="#">B62B 13/00</a>
Runners for sledges	<a href="#">B62B 17/02</a>
Runners for carrying wheeled vehicles to facilitate travel on snow or ice	<a href="#">B62B 19/00</a>

##### *Informative references*

*Attention is drawn to the following places, which may be of interest for search:*

Snow shoes	<a href="#">A63C 13/00</a>
Sky surf	<a href="#">B64C 39/026</a>

## A63C 5/003

{Structure, covering or decoration of the upper ski surface}

### Definition statement

*This place covers:*

Structure, covering or decoration on the upper ski surface

In particular integrated elements, e.g. rails or anchoring elements.

### References

#### Informative references

*Attention is drawn to the following places, which may be of interest for search:*

Shaping and joining of plastics	<a href="#">B29L 2031/5263</a>
Printing	<a href="#">B41M</a>
After-treatment of printing	<a href="#">B41M 7/00</a>

### Glossary of terms

*In this place, the following terms or expressions are used with the meaning indicated:*

Covering	any layer or device positioned over the ski and attached to it in use
----------	---

## A63C 5/006

{Appearance of the ski-tip, the rear end or the upper ski-edge}

### References

#### Limiting references

*This place does not cover:*

Structure of the tips or rear ends	<a href="#">A63C 5/052</a>
------------------------------------	----------------------------

## A63C 5/02

**collapsible; divided**

### Definition statement

*This place covers:*

Collapsible, e.g. foldable, or divided, e.g. articulated, skis or snowboards.

### References

#### Informative references

*Attention is drawn to the following places, which may be of interest for search:*

Snowboards with two or more runners or skis connected together by a rider-supporting platform	<a href="#">A63C 5/031</a>
---	----------------------------

## A63C 5/025

### Short skis

#### Definition statement

*This place covers:*

Skis having a length typically shorter than 100 cm, e.g. snowblades, snowskates, figl skis, skis for children.

#### Glossary of terms

*In this place, the following terms or expressions are used with the meaning indicated:*

figl	shortening from German's "Firngleiter": short skis performing on deep icy snow
------	--

#### Synonyms and Keywords

*In patent documents, the following words/expressions are often used as synonyms:*

- Snowblades;
- Skiblades;
- Skiboards;
- Mini skis;
- Fun skis;
- Easy skis;
- Figl skis;
- Children skis.

## A63C 5/03

### Mono skis; Snowboards

#### Definition statement

*This place covers:*

Snow runners devices where both feet are positioned in use, e.g. snowboards, monoskis, snow skateboards

#### References

##### Limiting references

*This place does not cover:*

Training apparatus for snowboarding	<a href="#">A63B 69/0093</a>
Snow sledges having one single runner	<a href="#">B62B 13/043</a>

## A63C 5/035

### with ground engaging rolls or belts

#### Definition statement

*This place covers:*

Skis or snowboard with rolling or like devices where the main surface engaging element is a snow runner.

#### References

##### *Informative references*

*Attention is drawn to the following places, which may be of interest for search:*

Roller skis	<a href="#">A63C 17/045</a>
-------------	-----------------------------

## A63C 5/04

### Structure of the surface thereof

#### Definition statement

*This place covers:*

Structure or shape of the surface

#### References

##### *Informative references*

*Attention is drawn to the following places, which may be of interest for search:*

with fins or longitudinal protrusions on the running sole	<a href="#">A63C 5/0417</a>
---	-----------------------------

## A63C 5/0428

{Other in-relief running soles (tooth-shaped running sole-plates [A63C 7/06](#))}

#### References

##### *Limiting references*

*This place does not cover:*

Tooth-shaped running sole-plates	<a href="#">A63C 7/06</a>
----------------------------------	---------------------------

## A63C 5/056

### Materials for the running sole

#### Definition statement

*This place covers:*

Materials for the running sole; processes for making the running sole

**A63C 5/06****with special devices thereon, e.g. steering devices****Definition statement***This place covers:*

Skis or snowboards with special devices thereon, e.g. steering devices or handlebars without a direct steering function for supporting the body movement.

**References****Informative references***Attention is drawn to the following places, which may be of interest for search:*

Sledges with runners arranged in a single line	<a href="#">B62B 13/04</a>
--	----------------------------

**A63C 5/062****{Protection or reinforcement devices for the ski-tip or the ski rear end}****Definition statement***This place covers:*

Protection or reinforcement devices for the ski-tip or the rear ski rear end, e.g. add-on device, e.g. removable, e.g. protective caps

**References****Limiting references***This place does not cover:*

Structure of the tips or rear ends	<a href="#">A63C 5/052</a>
Protectors for skis, e.g. containers on the roof of cars	<a href="#">A63C 11/027</a>

**A63C 5/075****Vibration dampers****References****Informative references***Attention is drawn to the following places, which may be of interest for search:*

Vibration dampers per se	<a href="#">F16F 7/00</a>
--------------------------	---------------------------



**A63C 5/08**

motor-driven ([A63C 5/035](#) takes precedence; {apparatus for towing skis [A63C 11/10](#)})

**References****Limiting references**

*This place does not cover:*

with ground engaging rolls or belts	<a href="#">A63C 5/035</a>
-------------------------------------	----------------------------

**Informative references**

*Attention is drawn to the following places, which may be of interest for search:*

Apparatus for towing skis	<a href="#">A63C 11/10</a>
---------------------------	----------------------------

**A63C 5/12**

Making thereof; Selection of particular materials (materials for the running sole [A63C 5/056](#))

**References****Limiting references**

*This place does not cover:*

Materials for the running sole	<a href="#">A63C 5/056</a>
--------------------------------	----------------------------

**Informative references**

*Attention is drawn to the following places, which may be of interest for search:*

Wood manufacturing for sport articles	<a href="#">B27M 3/22</a>
Foam cores	<a href="#">B29C 44/12</a>
Drum surface shaping	<a href="#">B29C 59/00</a>
Compression shaping of composites	<a href="#">B29C 70/40</a>
~using matched molds	<a href="#">B29C 70/46</a>

**A63C 5/124**

{Selection of particular materials for the upper ski surface}

**Definition statement**

*This place covers:*

also methods of making for the upper ski surface

## A63C 5/16

**Devices enabling skis to be used whilst held in a particular configuration with respect to each other, e.g. for training purposes**

### Definition statement

*This place covers:*

Devices enabling skis to be used whilst held in a particular configuration with respect to each other, e.g. for training or learning purposes.

### References

#### Informative references

*Attention is drawn to the following places, which may be of interest for search:*

Snow-ski boards with two or more runners or skis connected together by a rider-supporting platform	<a href="#">A63C 5/031</a>
Exercising apparatus for lower limbs with guided foot support	<a href="#">A63B 23/0417</a>
Training appliances or apparatus for skiing	<a href="#">A63B 69/18</a>

## A63C 7/00

**Devices preventing skis from slipping back; Ski-stoppers or ski-brakes**

### Definition statement

*This place covers:*

Devices opposed to snow traversing of the running sole.

### References

#### Limiting references

*This place does not cover:*

In-relief running soles	<a href="#">A63C 5/0428</a>
-------------------------	-----------------------------

### Special rules of classification

[A63C 7/02-A63C 7/08](#)

For push-off or walking motion.

[A63C 7/12](#)

For laterally braking when canting on steep slippery slopes.

[A63C 7/1073-A63C 7/1086](#)

For braking during use.

[A63C 7/1006-A63C 7/1066](#)

After the ski has separated from the shoe.

## A63C 7/1006

### {Ski-stoppers}

#### Definition statement

*This place covers:*

Devices for stopping a ski separated from the shoe.

## A63C 7/1073

### {Ski-brakes}

#### Definition statement

*This place covers:*

Devices for reducing the speed of the skis when skiing.

## A63C 9/00

### Ski bindings

#### Definition statement

*This place covers:*

Ski bindings and closely related accessories.

#### Special rules of classification

Cross-country, telemark and mountaineering ski bindings are to be found mostly in groups [A63C 9/02](#), [A63C 9/06](#), [A63C 9/0807](#), [A63C 9/20](#)

Safety ski bindings, e.g. alpine ski bindings, are found in groups [A63C 9/08](#) and lower.

Groups [A63C 9/04](#), and [A63C 9/10](#) - [A63C 9/20](#) mostly relate to outdated types of bindings.

Arrangements for adjusting ski bindings [A63C 9/22](#) and tighteners [A63C 9/24](#).

Interfaces and spacer plates for ski bindings are found in group [A63C 9/003](#).

Arrangements for positional adjustment of the bindings or the shoe holder thereof relative to the ski are found in [A63C 9/005](#) and its sub-groups.

Bindings designed for snowboards are classified in [A63C 10/00](#) and/or its sub-groups. Bindings that are suitable for both skis and snowboards are classified in the main groups and/or sub-groups of both [A63C 9/00](#) and [A63C 10/00](#).

## A63C 9/001

### {Anti-friction devices}

#### Definition statement

*This place covers:*

E.g. gliding pads or rolls to ease safety release of the shoe

## A63C 9/002

**{Strap closures or latches; Leashes}**

### Definition statement

*This place covers:*

Straps closures or latches to tighten the shoes on the ski, e.g. for soft shoes, e.g. for short skis; leashes or tether to keep to shoe attached to the ski when the binding is released.

### References

#### Limiting references

*This place does not cover:*

Straps for snowboard bindings	<a href="#">A63C 10/06</a>
-------------------------------	----------------------------

## A63C 9/003

**{Non-swivel sole plate fixed on the ski}**

### Definition statement

*This place covers:*

E.g interfaces, spacer plates between ski and binding

## A63C 9/005

**{with means for adjusting the position of a shoe holder or of the complete binding relative to the ski}**

### Definition statement

*This place covers:*

Ski bindings with means for adjusting the position of a shoe holder or of the complete binding relative to the ski.

### Special rules of classification

This place also covers ski bindings with means for adjusting the position of a shoe holder or of the complete binding relative to the ski, provided that a binding element sliding along a rail is provided. In this case, double classification into [A63C 9/005](#) and [A63C 2009/008](#) may apply.

If a ski binding is provided with means for adjusting the position both in length and height, double classification into sub-groups [A63C 9/0053](#) and [A63C 9/0057](#) is required.

Any type of adjustment other than in length or height requires classification into [A63C 9/005](#).

Classification into [A63C 9/005](#) may apply either alone, or in addition to classification into sub-groups [A63C 9/0053](#) and [A63C 9/0057](#).

**A63C 9/006****{with a climbing wedge}****Glossary of terms***In this place, the following terms or expressions are used with the meaning indicated:*

Climbing wedge	heel elevator, e.g. collapsible, to ease uphill walking by helping to keep the feet closer to an horizontal position
----------------	--

**A63C 9/007****{Systems preventing accumulation of forces on the binding when the ski is bending}****Definition statement***This place covers:*

E.g. such systems constituted by an intermediate element on which a part of the binding is resiliently and slidingly supported

**A63C 2009/008****{with a binding element sliding along a rail during use or setting}****Definition statement***This place covers:*

Ski bindings with a binding element sliding along a rail during use or setting.

**References****Informative references***Attention is drawn to the following places, which may be of interest for search:*

Ski bindings; Systems preventing accumulation of forces on the binding when the ski is bending	<a href="#">A63C 9/007</a>
Ski safety bindings; Adjustment of the toe or heelholders; Indicators therefor	<a href="#">A63C 9/0805</a>

**Special rules of classification**

If the ski binding, comprising an element sliding along a rail, also comprises means for adjusting the position of a shoe holder or of the complete binding relative to the ski, double classification into [A63C 9/005](#) and [A63C 2009/008](#) may apply. These means may be provided additionally to the element sliding along a rail or may comprise the element sliding along a rail.

## A63C 9/02

### Non-self-releasing bindings with swivel sole-plate or swivel parts, i.e. Ellefsen-type

#### Definition statement

*This place covers:*

With swivel plate or plate-like structure extending under or along the foot

#### References

##### Informative references

*Attention is drawn to the following places, which may be of interest for search:*

With cable extending under or along the foot	<a href="#">A63C 9/06</a>
In a safety release binding	<a href="#">A63C 9/0807</a>

## A63C 9/06

### Non-self-releasing heel-engaging cable bindings fastened to the front end of the ski

#### Definition statement

*This place covers:*

With cable extending under or along the foot, e.g. telemark

## A63C 9/08

### yieldable or self-releasing in the event of an accident, i.e. safety bindings

#### References

##### Informative references

*Attention is drawn to the following places, which may be of interest for search:*

Ski boots	<a href="#">A43B 5/04</a>
-----------	---------------------------

## A63C 9/0807

### {for both towing and downhill skiing}

#### Definition statement

*This place covers:*

Ski bindings allowing both downhill skiing and push-off skiing e.g. mountaineering bindings

**A63C 9/081****with swivel sole-plate****Definition statement**

*This place covers:*

With swivel plate or plate-like of structure extending under or along the foot; encompasses swivelling about a vertical axis

**References****Limiting references**

*This place does not cover:*

For both towing and downhill skiing	<a href="#">A63C 9/0807</a>
-------------------------------------	-----------------------------

**A63C 9/084****with heel hold-downs, e.g. swingable****Glossary of terms**

*In this place, the following terms or expressions are used with the meaning indicated:*

Pivoting about [an axis]	where at least one kinematic component of the movement is a pivoting motion, possibly about a virtual axis
Transverse	intersecting the general longitudinal vertical plane of the ski binding

**A63C 9/085****with sole hold-downs, e.g. swingable****Definition statement**

*This place covers:*

Sole hold-downs, e.g. safety toe holders

**Glossary of terms**

*In this place, the following terms or expressions are used with the meaning indicated:*

Pivoting about [an axis]	where at least one kinematic component of the movement is a pivoting motion, possibly about a virtual axis
Transverse	intersecting the general longitudinal vertical plane of the ski binding

## A63C 9/086

**using parts which are fixed on the shoe of the user and are releasable from the ski binding**

### Definition statement

*This place covers:*

Step-in ski bindings where a part, or several parts, of the shoe are specially adapted to interact with specific parts of the binding. In general this part is made out of rigid material which is fastened to the outsole of the boot.

### References

#### Informative references

*Attention is drawn to the following places, which may be of interest for search:*

Accessories for ski boots	<a href="#">A43B 5/0415</a>
Accessories for ski boots located underneath the sole	<a href="#">A43B 5/0421</a>
Accessories for ski boots located on the sides of the sole	<a href="#">A43B 5/0423</a>

## A63C 9/18

**Non-self-releasing bindings without heel-straps, but with a clamping device arranged at the front end of, or behind, the binding**

### Definition statement

*This place covers:*

E.g. stirrup

## A63C 9/20

**Non-self-releasing bindings with special sole edge holders instead of toe-straps**

### Definition statement

*This place covers:*

With sole edge holder, e.g. toe holder, toe swivel axis holder, e.g. cross-country ski bindings

### References

#### Limiting references

*This place does not cover:*

Ski bindings with swivel plate or plate like structure extending under or along the foot	<a href="#">A63C 9/02</a>
--	---------------------------



## A63C 9/24

### Tighteners for ski bindings (tighteners for self-releasing ski bindings [A63C 9/08](#))

#### References

##### Limiting references

*This place does not cover:*

Tighteners for safety ski bindings	<a href="#">A63C 9/08</a>
------------------------------------	---------------------------

## A63C 10/00

### Snowboard bindings

#### References

##### Informative references

*Attention is drawn to the following places, which may be of interest for search:*

Bindings for monoskis	<a href="#">A63C 9/00</a>
Water skis	<a href="#">B63B 32/30</a>
Wakeboards	<a href="#">B63B 32/40</a>

#### Synonyms and Keywords

*In patent documents, the following words/expressions are often used with the meaning indicated:*

step-in	mechanism that ensures that, when pressing the shoe on the binding, the shoe will be automatically locked to the holder
---------	---

## A63C 10/04

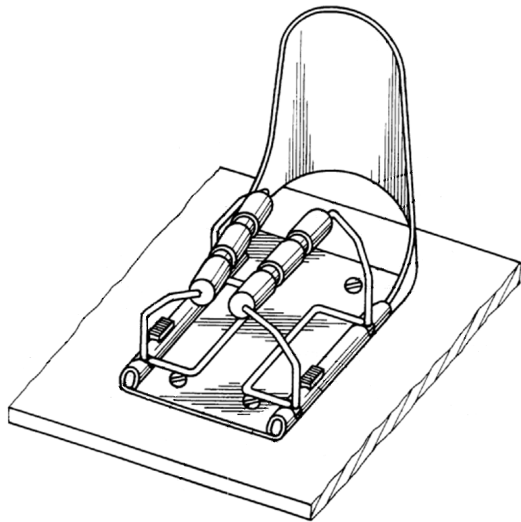
### Shoe holders for passing over the shoe

#### Definition statement

*This place covers:*

Snowboard bindings particular suited for soft boots for encompassing the shoe from the upper side and tighten it against the boot. Most of the shoe holders are made from a strap or soft cover. This group further comprises:

- details how the strap or cover is attached to the binding base;
- adjustment systems to position the strap or cover on the binding base;
- releasable connections between strap and base to allow easy entry of the boot;
- shoe holders passing over the shoe which are not a strap or soft cover (see figure).



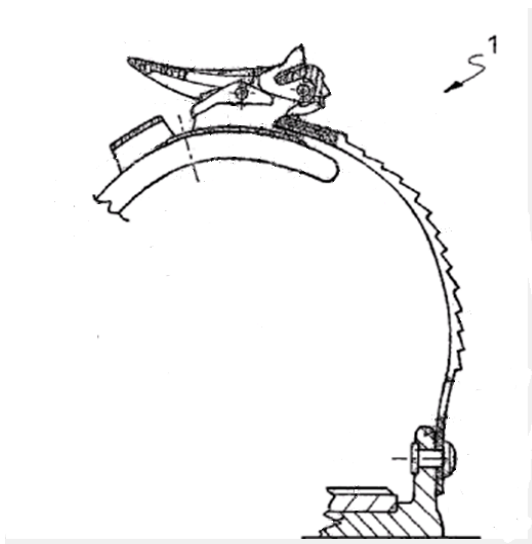
## A63C 10/06

Straps therefor, e.g. adjustable straps

### Definition statement

*This place covers:*

Details of straps which encompass the shoe from upper side, e.g. structure of the strap, tensioning means for the strap, cushioning of the strap, relative arrangement between front and rear strap.



### References

#### Informative references

*Attention is drawn to the following places, which may be of interest for search:*

Clamp-buckle fastenings; Fastenings with toggle levers	<a href="#">A43C 11/14</a>
--	----------------------------

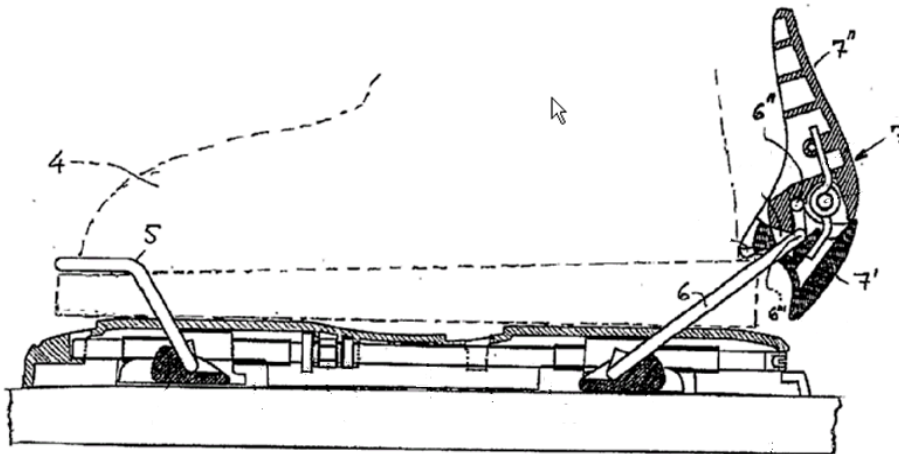
## A63C 10/08

### Toe or heel stirrups; Clamps

#### Definition statement

*This place covers:*

Snowboard bindings dedicated to hard boots, i.e. to boots whose structure is rigid enough to hold the foot tight and transmit front to rear holding forces. Consequently only a small part of the boot is held by a stirrup (ref. 5 on the example drawing) or a clamp (ref. 6,7 on the example drawing).



## A63C 10/10

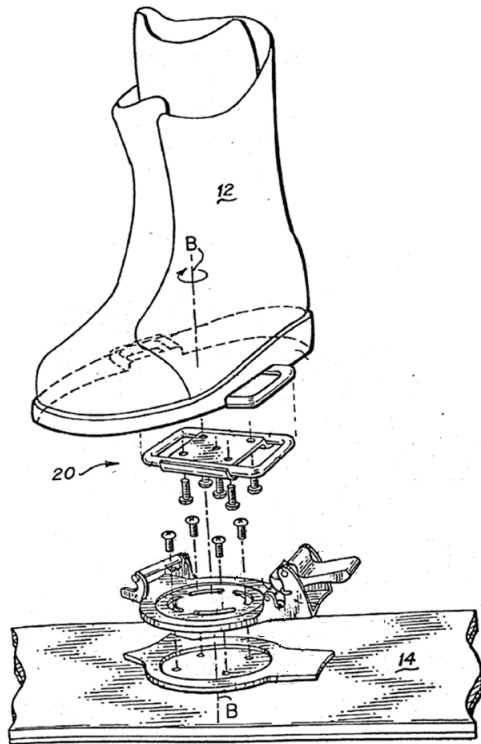
using parts which are fixed on the shoe, e.g. means to facilitate step-in

#### Definition statement

*This place covers:*

Step-in snowboard bindings where a part, or several parts, of the shoe are specially adapted to interact with specific parts of the binding. In general this part is made out of rigid material (ref. 20 in the

example drawing) which is fastened to the outsole of the boot. This kind of bindings usually allow easy fastening and manual release of the boot and are particular suited for a semi-rigid boots.



**References**

**Informative references**

Attention is drawn to the following places, which may be of interest for search:

Safety ski bindings using parts which are fixed on the shoe of the user and are releasable from the ski bindings	<a href="#">A63C 9/086</a>
Snowboard boots	<a href="#">A43B 5/0401</a>

**A63C 10/24**

**Calf or heel supports, e.g. adjustable high back or heel loops**

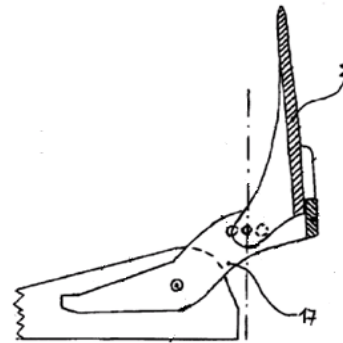
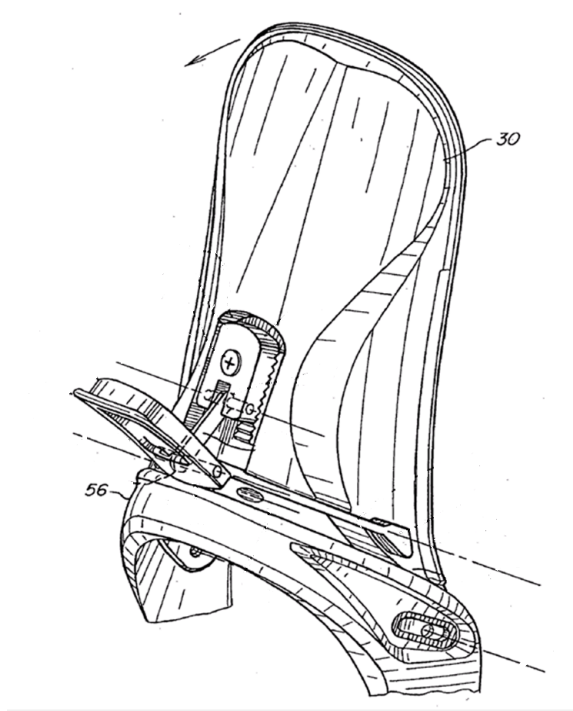
**Definition statement**

*This place covers:*

Calf or heel supports which are mostly used for non-rigid type boots, where the back part of the shaft is soft and pliable. These types of supports are mostly found in combination with the bindings of groups [A63C 10/04](#) and [A63C 10/10](#). Calf and heel support allow the transmission of forces pointing to the heel when riding on the back edge of the snowboard. A calf support is usually called high back

## Definition statement

(ref. 30 in the first example drawing, ref. 2 in the second example drawing). Heel supports are usually in the form of a heel loop (ref. 56 in the first example drawing, ref. 17 in the second example drawing).

**A63C 10/26****Shock or vibration dampers****References****Informative references**

Attention is drawn to the following places, which may be of interest for search:

Skis or snowboards ; Vibration dampers	<a href="#">A63C 5/075</a>
--	----------------------------

**A63C 11/00****Accessories for skiing or snowboarding (fittings on vehicles for carrying skis [B60R 9/12](#))****Definition statement**

*This place covers:*

Accessories for use during skiing or snowboarding, e.g. ski sticks, with the exclusion of apparel like garments, shoes, body protectors or goggles.

Accessories related to the practice of skiing, e.g. anti-theft, for transportation or storage of skis, for treating skis, as so far as these are especially adapted for skis or snowboards or the above.

Accessories implying the use of a ski or snowboard or mounted thereon, e.g. ski chips.

## References

### Limiting references

*This place does not cover:*

Ski boots; similar boots	<a href="#">A63C 5/04</a>
Gloves	<a href="#">A41D 19/00</a>
Devices for ski training	<a href="#">A63B 69/18</a> ; <a href="#">A63B 23/0417</a>

## A63C 11/001

**{Seats formed of skis or of accessories for skis}**

### Definition statement

*This place covers:*

Skis or skiing accessories convertible to form seats.

## References

### Informative references

*Attention is drawn to the following places, which may be of interest for search:*

Walking sticks convertible into seats	<a href="#">A45B 5/00</a>
Camping, traveling or sports stools	<a href="#">A47C 9/10</a>

## A63C 11/002

**{Stretchers formed of skis or of accessories for skis}**

### Definition statement

*This place covers:*

Skis or skiing accessories convertible to form stretchers.

## References

### Informative references

*Attention is drawn to the following places, which may be of interest for search:*

Stretchers	<a href="#">A61G 1/00</a>
Stretchers with skis or sled runners in general	<a href="#">A61G 1/007</a>

**A63C 11/003**

{Signalling devices, e.g. acoustical or visual ([A63C 11/225](#) takes precedence; means for indicating the location of accidentally snow-buried persons [A63B 29/021](#))}

**Definition statement**

*This place covers:*

Signalling devices mounted on or especially adapted to fit ski, snowboard or accessory thereof.

**References****Limiting references**

*This place does not cover:*

Ski sticks with ~	<a href="#">A63C 11/225</a>
Means for indicating the location of accidentally snow-buried persons	<a href="#">A63B 29/021</a>

**Informative references**

*Attention is drawn to the following places, which may be of interest for search:*

Lights	<a href="#">F21K 99/00</a> , <a href="#">F21S 9/04</a>
Portable traffic signalling device	<a href="#">G08B 5/006</a>
Horns	<a href="#">G10K 9/00</a>

**A63C 11/004**

{Anti-theft devices for skis or ski equipment ([A63C 11/003](#) takes precedence)}

**References****Limiting references**

*This place does not cover:*

Signalling devices, e.g. acoustical or visual	<a href="#">A63C 11/003</a>
---	-----------------------------

**A63C 11/006**

{Portable locking means}

**References****Informative references**

*Attention is drawn to the following places, which may be of interest for search:*

Devices for locking portable objects	<a href="#">E05B 73/00</a>
--------------------------------------	----------------------------

**A63C 11/02**

**Devices for stretching, clamping or pressing skis or snowboards for transportation or storage**

**References****Informative references**

*Attention is drawn to the following places, which may be of interest for search:*

Fittings on vehicles for carrying skis	<a href="#">B60R 9/12</a>
--	---------------------------

**A63C 11/026**

**{on wheels}**

**References****Informative references**

*Attention is drawn to the following places, which may be of interest for search:*

Carts for skis	<a href="#">B62B 2202/401</a>
----------------	-------------------------------

**A63C 11/028**

**{Storage in cupboards or ski-racks, e.g. with clamping devices}**

**References****Informative references**

*Attention is drawn to the following places, which may be of interest for search:*

Racks especially adapted for storing guns or skis	<a href="#">A47B 81/00</a>
Hanger or shelves for long articles	<a href="#">A47F 7/0021</a>

**A63C 11/06**

**Edge-sharpeners**

**References****Informative references**

*Attention is drawn to the following places, which may be of interest for search:*

Grinding machines for sharpening ski or snowboard edges	<a href="#">B24B 3/006</a>
Non-rotary grinding hand tools for sharpening ski edges	<a href="#">B24D 15/068</a>



**A63C 11/08****Apparatus for waxing or dewaxing****References****Informative references**

Attention is drawn to the following places, which may be of interest for search:

Ski waxes	<a href="#">C09G 3/00</a>
-----------	---------------------------

**A63C 11/10****Apparatus for towing (ski-lifts [B61B 11/00](#))****Definition statement**

This place covers:

Accessories or arrangements for towing skiers, e.g. portable tow ropes.

**References****Limiting references**

This place does not cover:

Ski-lifts	<a href="#">B61B 11/00</a>
-----------	----------------------------

**Informative references**

Attention is drawn to the following places, which may be of interest for search:

One wheeled motorised walk-type tractors	<a href="#">B62D 51/065</a>
--	-----------------------------

**A63C 11/16****Special devices on boots for fastening skis thereto ([A63C 9/00](#) takes precedence)****References****Limiting references**

This place does not cover:

Ski bindings	<a href="#">A63C 9/00</a>
--------------	---------------------------

**A63C 11/18****Devices for removing snow from skis, snowboards, boots or bindings****References****Limiting references***This place does not cover:*

Ski-boot sole-scrapers	<a href="#">A63C 5/061</a>
------------------------	----------------------------

**A63C 11/22****Ski-sticks****References****Informative references***Attention is drawn to the following places, which may be of interest for search:*

Walking sticks in general	<a href="#">A45B 9/00</a>
---------------------------	---------------------------

**A63C 11/222****{Ski-stick handles or hand-straps}****References****Informative references***Attention is drawn to the following places, which may be of interest for search:*

Gloves with connector	<a href="#">A41D 19/0037</a>
-----------------------	------------------------------

**A63C 11/224****{associated with timing devices}****References****Informative references***Attention is drawn to the following places, which may be of interest for search:*

Gloves with measuring devices	<a href="#">A41D 19/0027</a>
Multifunction wrist watch	<a href="#">G04G 99/00</a>

**A63C 11/225**

{with signalling devices, e.g. acoustical or visual (means for indicating the location of accidentally snow-buried persons [A63B 29/021](#))}

**References****Informative references**

Attention is drawn to the following places, which may be of interest for search:

Gloves with warning	<a href="#">A41D 19/0031</a>
Gloves with light	<a href="#">A41D 19/0157</a>
Means for indicating the location of accidentally snow-buried persons	<a href="#">A63B 29/021</a>

**A63C 11/26**

Devices for use in mounting ski-bindings to skis, e.g. jigs; {Testing or measuring devices specially adapted therefor}

**References****Informative references**

Attention is drawn to the following places, which may be of interest for search:

Jigs for drilling ski bindings	<a href="#">B23B 47/285</a>
Testing material properties on sport articles	<a href="#">G01N 33/008</a>

**A63C 11/265**

{Devices for testing or measuring the release force of safety ski bindings}

**References****Informative references**

Attention is drawn to the following places, which may be of interest for search:

Apparatus for measuring release force of ski safety binding	<a href="#">G01L 5/03</a>
---	---------------------------

**A63C 13/00****Snow shoes****Definition statement**

*This place covers:*

Footwear or devices fixed on the shoe for preventing sinking into the snow while walking on it

**References****Limiting references**

*This place does not cover:*

Skis	<a href="#">A63C 5/00</a>
------	---------------------------

**Informative references**

Attention is drawn to the following places, which may be of interest for search:

Crampons	<a href="#">A43B 13/141</a>
----------	-----------------------------

**A63C 13/008**

{Adjustable heel support therefor, e.g. climbing wedge}

**Glossary of terms**

In this place, the following terms or expressions are used with the meaning indicated:

Climbing wedge	heel elevator, e.g. collapsible, to ease uphill walking by helping to keep the feet closer to an horizontal position
----------------	--

**A63C 17/00**

**Roller skates; Skate-boards**

**Definition statement**

*This place covers:*

Sport and recreation equipment with rollers, where steering is achieved by body movement, e.g. roller skates, inline skates, skateboards. The body movement can be supported by means for leaning, e.g. handlebars without a direct steering function, e.g. some types of kickboards.

**References****Informative references**

Attention is drawn to the following places, which may be of interest for search:

Elastic bouncing shoes fastened to the foot, e.g. spring shoes	<a href="#">A63B 25/10</a>
--	----------------------------

**A63C 17/0013**

{Devices used in combination with the skate but not fixed to it, e.g. supporting frames, sail, sticks, auxiliary wheel aid (uniauxle walk-type tractors [B62D 51/06](#))}

**References****Limiting references**

*This place does not cover:*

Uniauxle walk-type tractors	<a href="#">B62D 51/06</a>
-----------------------------	----------------------------

**A63C 17/0093**

{Mechanisms transforming leaning into steering through an inclined geometrical axis, e.g. truck ([A63C 17/011](#) takes precedence)}

**References****Limiting references**

*This place does not cover:*

Skateboards with a truck	<a href="#">A63C 17/012</a>
--------------------------	-----------------------------

**A63C 17/01**

Skateboards ([A63C 17/02](#) - [A63C 17/28](#) take precedence)

**References****Limiting references**

*This place does not cover:*

Details of wheels arranged in two pairs	<a href="#">A63C 17/02</a>
Details of wheels arranged otherwise than in two pairs	<a href="#">A63C 17/04</a>
Skateboards or roller skates with endless tracks	<a href="#">A63C 17/10</a>
Driving mechanisms for skateboards or roller skates	<a href="#">A63C 17/12</a>
Brakes for skateboards or roller skates	<a href="#">A63C 17/14</a>
Skateboards or roller skates adapted for use on specially shaped or arranged runways	<a href="#">A63C 17/16</a>
Skateboards or roller skates convertible into ice or snow-running skates	<a href="#">A63C 17/18</a>
Roller skates with fixable wheels permitting the skates to be used for walking	<a href="#">A63C 17/20</a>
Wheels for roller skates	<a href="#">A63C 17/22</a>
Skateboards or roller skates with special auxiliary arrangements, e.g. illuminating, marking or push-off devices	<a href="#">A63C 17/26</a>
Skateboards or roller skates having arrangements for sitting	<a href="#">A63C 17/28</a>

**Informative references**

*Attention is drawn to the following places, which may be of interest for search:*

Skis or snowboards with ground engaging rolls or belts	<a href="#">A63C 5/035</a>
Training apparatus for skateboarding	<a href="#">A63B 69/0093</a>
Hand carts	<a href="#">B62B</a>
Carriages for children	<a href="#">B62B 7/00</a>
Bicycles without a seat, e.g. non-motorised scooters	<a href="#">B62K 3/002</a>

**A63C 17/02**

with wheels arranged in two pairs {(for skateboards [A63C 17/015](#))}

**References****Limiting references**

*This place does not cover:*

Skateboards with wheels arranged in two pairs	<a href="#">A63C 17/015</a>
---	-----------------------------

**A63C 17/04**

with wheels arranged otherwise than in two pairs {(for skateboards [A63C 17/014](#))}

**References****Limiting references**

*This place does not cover:*

Skateboards with wheels arranged otherwise than in two pairs	<a href="#">A63C 17/014</a>
Skateboards with wheels arranged in one track	<a href="#">A63C 17/016</a>

**A63C 17/06**

single-track type

**References****Limiting references**

*This place does not cover:*

Roller skis	<a href="#">A63C 5/035</a>
-------------	----------------------------

**Informative references**

*Attention is drawn to the following places, which may be of interest for search:*

Skate boots	<a href="#">A43B 5/16</a>
-------------	---------------------------

**Special rules of classification**

multiple entry classification is used in Indexing Code

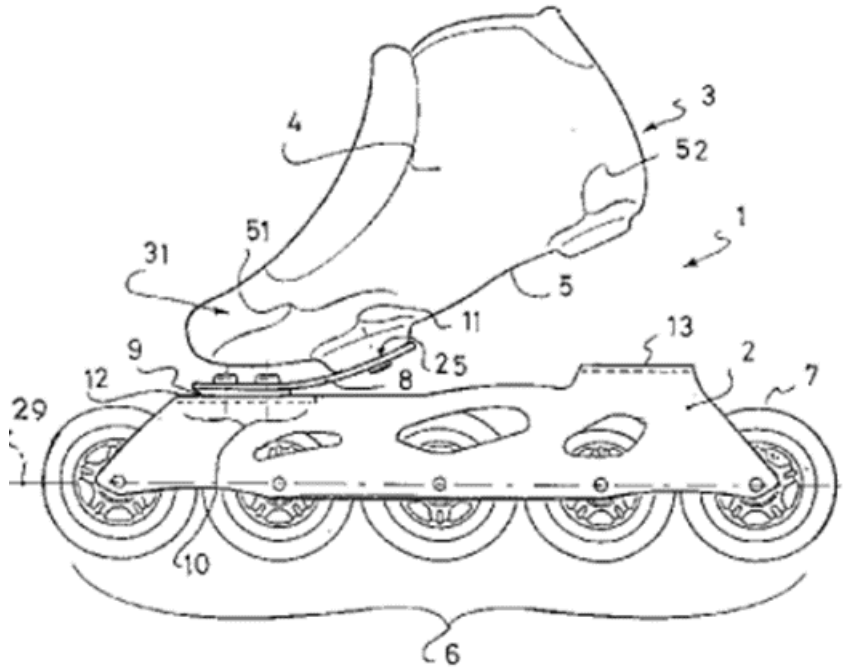
**A63C 17/065**

{with movements during use of the foot plate or shoe relative to the chassis,  
e.g. inline clap skate}

**Definition statement**

*This place covers:*

Illustrative example of subject matter classified in this place:

**A63C 17/08**

single-wheel type {with single axis}

**Definition statement**

*This place covers:*

Roller skates with a single wheel or a single wheel axis

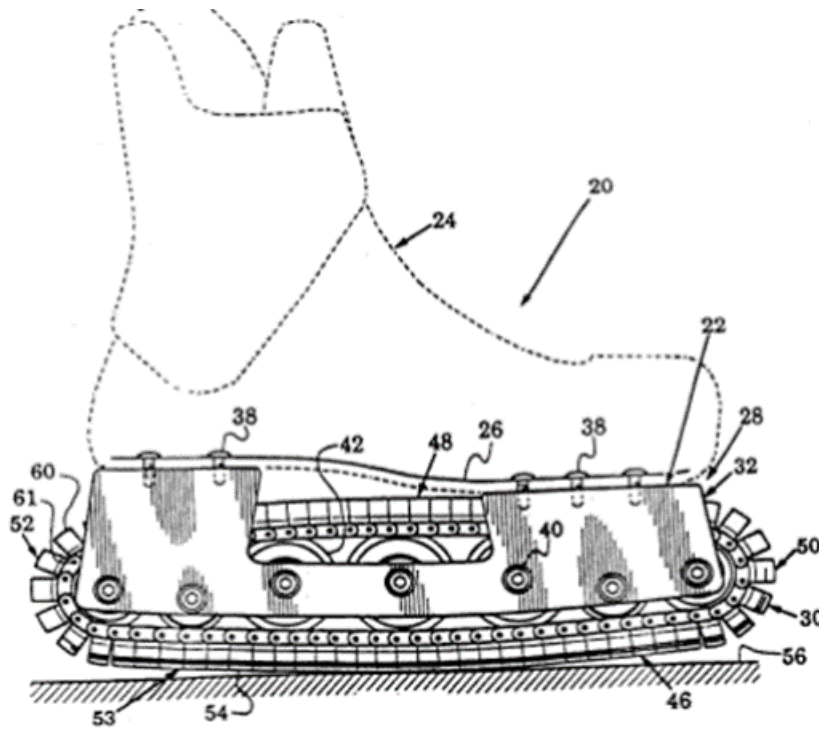
## A63C 17/10

with endless tracks

### Definition statement

*This place covers:*

Illustrative example of subject matter classified in this place:



### Synonyms and Keywords

*In patent documents, the following words/expressions are often used as synonyms:*

- Continuous track or tread;
- Caterpillar track or tread;
- Tank tread

## A63C 17/12

with driving mechanisms

### References

#### *Informative references*

*Attention is drawn to the following places, which may be of interest for search:*

Motor vehicles the driver not being seated	<a href="#">B62D 51/00</a>
--	----------------------------



**A63C 17/1409****{contacting one or more of the wheels}****Definition statement***This place covers:*

Where the brake contacts a wheel or any part rotating synchronous with the wheel(s).

**A63C 17/1454****{Freewheel roller clutches}****Definition statement***This place covers:*

Any mechanism braking or stopping the wheel and actuated by wheel rotation, e.g. backwards rotation, rotation above a given rotational speed

**References****Informative references***Attention is drawn to the following places, which may be of interest for search:*

Clutch bearings	<a href="#">F16D 11/06</a>
-----------------	----------------------------

**A63C 17/16****for use on specially shaped or arranged runways****Definition statement***This place covers:*

Skates or skateboards adapted for use on special surfaces e.g. grass, off-road, bob-like tracks

**References****Informative references***Attention is drawn to the following places, which may be of interest for search:*

Coaster wagons	<a href="#">B62B 3/007</a>
----------------	----------------------------

**A63C 17/20****with fixable wheels permitting the skates to be used for walking****Definition statement***This place covers:*

Any system easing walking with the skates, e.g. blocking wheels, retractable wheels, skates that can be used in a way that wheels are not in contact with the surface, systems keeping wheels out of contact with the surface, e.g. guards, sole caps.

## A63C 17/22

### Wheels for roller skates

#### Definition statement

*This place covers:*

Wheels especially adapted for roller skating or skateboarding; Details of wheel associated parts, e.g. thread, hub, wheel mounting.

#### References

##### Informative references

*Attention is drawn to the following places, which may be of interest for search:*

moulding on inserts	<a href="#">B29C 70/68</a>
wheels made of synthetic materials	<a href="#">B60B 5/02</a>
castors	<a href="#">B60B 33/00</a>
making of wheels in general	<a href="#">F16C 13/006</a>

## A63C 17/26

### with special auxiliary arrangements, e.g. illuminating, marking, or push-off devices

#### Definition statement

*This place covers:*

E.g. foot bindings or support; handles or hand support; combinations with wings or sails; for aggressive skating or stunts

## A63C 17/28

### with arrangements for sitting

#### Definition statement

*This place covers:*

E.g. street luge or downhill racing carts, when these are steered by body movement or pedals

## A63C 19/00

### Design or layout of playing courts, rinks, bowling greens or areas for water-skiing; Covers therefor

#### References

##### Informative references

*Attention is drawn to the following places, which may be of interest for search:*

Devices for generating a current of water in swimming pools, e.g. stream pools	<a href="#">A63B 69/125</a>
Bowling-alleys; Boccia courts	<a href="#">A63D 1/00</a>

Merry-go-rounds; Rocking-horses; Chutes; Switchbacks; Similar devices for public amusement	<a href="#">A63G</a>
Water roundabouts	<a href="#">A63G 3/00</a>
Race-courses	<a href="#">A63K 1/00</a>
Construction of surfaces or foundations	<a href="#">E01C</a>
Roofs	<a href="#">E04B 7/00</a>
Buildings or groups of buildings for sports	<a href="#">E04H 3/10</a>
Swimming or splash baths or pools	<a href="#">E04H 4/00</a>
Coverings for baths	<a href="#">E04H 4/06</a>

### **Glossary of terms**

*In this place, the following terms or expressions are used with the meaning indicated:*

layout	relative arrangement of the items constituting the court
--------	--

## **A63C 19/003**

### **{Golf courses}**

#### **Definition statement**

*This place covers:*

Design and layout of courses primarily intended for golf. These designs incorporate features such as fairways, greens, bunkers, hazards and tee boxes arranged in sequences that reflect natural outdoor landscapes, commonly with 9 or 18 holes. The course requires players to traverse its full length, with putting taking place on the green and a structured progression from tee to hole.

#### **References**

##### **Informative references**

*Attention is drawn to the following places, which may be of interest for search:*

Special golf games, e.g. miniature golf; Putting tracks therefor	<a href="#">A63B 67/02</a>
Golf practising terrains	<a href="#">A63B 69/3691</a>

## **A63C 19/005**

### **{Boxing rings}**

#### **Definition statement**

*This place covers:*

Any kind of boxing or martial arts rings

## A63C 19/02

### Shaping of the surface of courts according to the necessities of the different games

#### Definition statement

*This place covers:*

Shaping the surface of the court to match the requirements of a particular game, e.g. providing an inclined slope to the surface of the court in certain ball games.

#### References

##### Informative references

*Attention is drawn to the following places, which may be of interest for search:*

Pavings or foundations specially adapted for playgrounds or sports grounds	<a href="#">E01C 13/00</a>
Surfaces simulating grass	<a href="#">E01C 13/08</a>
Artificial surfaces for snow or ice sports	<a href="#">E01C 13/10</a>
Flooring	<a href="#">E04F 15/00</a>

#### Special rules of classification

The layout is classified in [A63C 19/00](#).

## A63C 19/06

### Apparatus for setting-out or dividing courts

#### Definition statement

*This place covers:*

Also fences, safety nets when these are especially adapted to the sport

#### References

##### Limiting references

*This place does not cover:*

Tennis nets	<a href="#">A63B 61/00</a>
Cages, backstops, spectator, protections, enclosures	<a href="#">A63B 71/022</a>

##### Informative references

*Attention is drawn to the following places, which may be of interest for search:*

Swimming lane members	<a href="#">E04H 4/143</a>
Fences in general	<a href="#">E04H 17/16</a>

**A63C 19/062****{Slalom gate poles, posts or marking sticks for sport fields}****References****Informative references***Attention is drawn to the following places, which may be of interest for search:*

Sport posts	<a href="#">A63B 2210/50</a>
Impact cushioning for roadworks	<a href="#">E01F 15/14</a>
Posts	<a href="#">E04H 15/62</a>

**A63C 19/065****{Line markings, e.g. tapes; Methods therefor}****Definition statement***This place covers:*

When these are especially adapted to the practise of sports

**References****Informative references***Attention is drawn to the following places, which may be of interest for search:*

Line detectors	<a href="#">A63B 71/0605</a>
----------------	------------------------------

**A63C 19/08****Mechanical means for marking-out****Definition statement***This place covers:*

E.g. fence, boards, netting

**A63C 19/10****Ice-skating or roller-skating rinks; Slopes or trails for skiing, ski-jumping or tobogganing****References****Informative references***Attention is drawn to the following places, which may be of interest for search:*

Chutes	<a href="#">A63G 21/00</a>
Ski-lifts	<a href="#">B61B 11/00</a>
Pavings for snow sports	<a href="#">E01C 13/12</a>
Making or maintaining surfaces of snow or ice suitable for traffic or sporting purposes	<a href="#">E01H 4/00</a>

Removing snow or ice from roads or like surfaces; Grading or roughening snow or ice	<a href="#">E01H 5/00</a>
Processes or apparatus specially adapted for producing ice or snow for winter sports or similar recreational purposes; Producing artificial snow	<a href="#">F25C 3/00</a>

## A63C 19/12

### Removable protective covers for courts, rinks, or game pitches or the like

#### References

##### Limiting references

*This place does not cover:*

Coverings for baths	<a href="#">E04H 4/06</a>
---------------------	---------------------------

##### Informative references

*Attention is drawn to the following places, which may be of interest for search:*

Protective covering for plants	<a href="#">A01G 13/20</a>
Unwinding webs	<a href="#">B65H 18/00</a>

## A63C 2201/02

### Aggressive riding, e.g. grinding

#### Definition statement

*This place covers:*

Where the device is sliding with other parts of the device contacting the traversed surface, or in another direction than the main surface traversing means (sliding sole; rolling on wheels) or direction, e.g. in skate parks, snow parks, on a rail, curb or bench, e.g. grinding

## A63C 2201/12

### Tandem riding

#### Definition statement

*This place covers:*

Where two persons use simultaneously the same device or are connected to each other while riding

## A63C 2203/06

### enabling conversion into another device

#### References

##### Limiting references

*This place does not cover:*

Skates convertible into ice or snow-running skates	<a href="#">A63C 17/18</a>
--	----------------------------

**A63C 2203/10****enabling folding, collapsing****Definition statement***This place covers:*

Devices being, or having parts being, foldable or divided, collapsible, retractable, e.g. wheels retractable in shoe sole

**A63C 2203/20****Shock or vibration absorbing****References****Limiting references***This place does not cover:*

Skis with vibration dampers	<a href="#">A63C 5/075</a>
Roller skates or skate boards with shock absorption or suspension system	<a href="#">A63C 17/0046</a>

**A63C 2203/24****Processing or storing data, e.g. with electronic chip****References****Limiting references***This place does not cover:*

Safety ski bindings with electronically controlled locking devices	<a href="#">A63C 9/088</a>
--	----------------------------

**A63C 2203/50****Skis, skates or boards with shoe-like cradles comprising additional leg support****References****Limiting references***This place does not cover:*

Snowboard binding cradle	<a href="#">A63C 10/145</a>
--------------------------	-----------------------------

## A63C 2203/52

Direct actuation of steering of roller skate or skateboards, e.g. by a foot plate

### References

#### *Limiting references*

*This place does not cover:*

Direct actuation by a steering bar	<a href="#">B62K 3/002</a>
------------------------------------	----------------------------