

A47J

KITCHEN EQUIPMENT; COFFEE MILLS; SPICE MILLS; APPARATUS FOR MAKING BEVERAGES

Definition statement

This place covers:

- Devices for domestic (or restaurant) use for preparing, cooking, or warming food or for making beverages. Storing and handling arrangements for these devices. Devices for storing food.
- Preparing, cooking, or warming food refers to the various possible stages when preparing a meal:
- food is prepared before cooking / consumption: e.g. peeled, cut, shaped, strained, mashed, sifted, washed, opening of eggs, separating contents of eggs, nut cracking, introducing fat etc. into meat;
- food is cooked: e.g. boiled, fried, deep fat fried, broiled, braised, grilled, roasted, toasted, baked, steamed (i.e. a raw potato becomes a cooked one);
- food is prepared after cooking: e.g. mashed, held or clamped during cutting after being cooked;
- food is warmed: cold prepared or cooked food is warmed for consumption (i.e. a cold cooked potato becomes a warm cooked potato).
- Devices for preparing, cooking, or warming food therefore include:
- Domestic implements or machines for preparing food, e.g.
 - for shaping butter or the like,
 - for peeling, stringing, or paring foodstuffs,
 - for mashing or straining foodstuffs,
 - for coring, for stoning, or for removing stalks from, fruit,
 - kitchen robots, devices for mixing, beating, stirring, grating, whipping food,
 - for holding, gripping or clamping food, e.g. during peeling or during cutting after being cooked.
- Cutting boards
- Coffee mills, spice mills
- Domestic cooking implements, e.g. cooking vessels or accessories therefor
- Household vessels or apparatuses for boiling, frying, deep fat frying, broiling, stewing, grilling, roasting, toasting, baking, steaming, e.g. pressure cookers, steamers, rice cookers, deep fat fryers
- Egg cookers
- Camp cooking devices without integral heating means
- Devices for warming drinks or food
- Warming vessels containing drinks or food
- Heat insulated chambers to warm or to keep food warm
- Devices for gripping, lifting or supporting above devices (pincers, pads)
- Culinary hand implements for handling or supporting food during preparing/cooking/warming.
- Making beverages refers to:
 - extracting flavor from solids by a liquid: e.g. extracting flavor from coffee grounds or tea leaves by brewing with hot water;
 - diluting concentrate powders or liquids by diluents: e.g. diluting coffee concentrate with hot water;
 - changing the consistency of a beverage: shaking a beverage, foaming milk.

Devices for making beverages therefore include:

Household apparatuses for making beverages, e.g. by brewing or diluting;

Beverage shakers, devices for foaming milk.

Storing and handling of devices for preparing, cooking, or warming food or for making beverages refer to:

- fastening these devices in order to immobilise them for use , irremovably fixing them;
- arranging these devices when temporally not in use or for warming them.

Storing and handling arrangements therefore include:

- Devices for fastening kitchen utensils to tables, walls, or the like;
- Stands, or holders for kitchen articles;
- Grids, racks, or other supports irremovably mounted in, on, or over sinks;

Devices for warming kitchen utensils, e.g. dishes.

Storing food refers to:

- storing food or ingredients to be prepared/cooked/warmed or ingredients for making beverages, e.g. storage containers for flour, sugar, coffee beans, ground coffee, tea leaves or rice, storage boxes for leftovers;
- storing prepared/cooked/warmed food or beverages, e.g. thermally insulated vessels or flasks.

Devices for storing food therefore include:

Kitchen containers;

Thermally insulated vessels, e.g. flasks, jugs or jars.

Relationships with other classification places

This subclass is primarily intended for domestic kitchen equipment for preparing/cooking/warming food. Preparing/cooking/warming foodstuff on an industrial scale is not covered by this subclass and will be classified in the following places:

- subclass [A01J](#) for machines or implements for shaping butter or the like used in dairies, e.g. for forming slabs of butter;
- subclass [A21B](#) for bakers' ovens, machines or equipment for industrial baking;
- subclass [A23J](#) for industrial machines for opening eggs;
- subclass [A23N](#) for machines for preparing foodstuffs or fruit in bulk, e.g. peeling vegetables or fruit in bulk.

Implements for table use will be classified in subclass [A47G](#).

Subclass [A47J](#) further covers the domestic making of (hot) beverages, in particular the preparing of tea or coffee by extraction with hot water. Other apparatuses and methods for preparing beverages mostly on industrial scale are classified in the following subclasses:

- subclass [A23F](#) for the industrial making of coffee or tea;
- subclass [C12C](#) for brewing of beer;
- subclass [C12G](#) for preparation of wine or other alcoholic beverages;
- subclass [B67D](#) for dispensing beverages, e.g. on draught;
- subclass [A23L](#) for preparation of non-alcoholic beverages, e.g. by adding ingredients to fruit or vegetable juices.

In relation to the subclasses that cover domestic stoves or ranges for solid or liquid fuel in general, this subclass is an application place. Features of stoves or ranges which are of general interest should be classified in the relevant general place, such as subclasses [F24B](#), [F24C](#).

Storing arrangements in subclass [A47J](#) does not cover cabinets or racks in general even with provision for attachment of kitchen implements. This subject matter is classified with the subclass for cabinets or general details of furniture [A47B](#). Devices for fastening household utensils are classified in subclass [A47G](#) (e.g. for storing brooms). Storage containers (both thermally insulated as without thermal insulation) in general are classified in subclass [B65D](#).

References

Informative references

Attention is drawn to the following places, which may be of interest for search:

Manufacture of dairy products	A01J
Baker's ovens	A21B
Baking tins; Baking forms	A21B 3/13
Mixing or kneading machines for the preparation of dough	A21C 1/00
Apparatus for smoking food	A23B 4/044
Manufacture, preparations of coffee, tea as ingredient	A23F
Manufacture, preparations of cocoa as ingredient	A23G
Making ice cream	A23G 9/00
Preparation of non-alcoholic beverages, e.g. by adding ingredients to fruit or vegetable juices	A23L 2/02
Apparatus for treating fruit, vegetables or bulbs in bulk	A23N
Lunch or picnic boxes	A45C 11/20
Household or table equipment	A47G
Containers with means for keeping food cool	A47G 23/04
Miscellaneous supports, holders, or containers for household use	A47G 29/00
Domestic washing or cleaning; Suction cleaners in general	A47L
Grinding, crushing, pulverising in general	B02C
Disintegrating, e.g. mincing	B02C
Processes for applying fluoropolymers to vessels obtain an anti-adhesive surface	B05D 5/083
Methods or processes of manufacturing specially adapted for cooking-vessels (making cooking pots by processing sheet metal or metal tubes, rods or profiles without removing material)	B21D 51/22
Severing, e.g. cutting, slicing	B26B , B26D
Containers with thermal insulation	B65D 81/38
Refuse receptacles	B65F 1/00
Dispensing of liquids (please refer also to the comments on group A47J 31/00)	B67D
Gas burners per se	F23D 14/00
Domestic stoves or ranges	F24B , F24C
Thermal insulation of domestic water storage heaters	F24H 1/182
Refrigerators	F25D
Induction heating hobs	H05B 6/12

Special rules of classification

In addition to the inventive classification information, inventive aspects of kitchen appliances, for which a classification entry exists in a main group not corresponding to the kitchen appliance concerned, are identified by adding Indexing Codes for these aspects of the kitchen appliance in said main group.

Glossary of terms

In this place, the following terms or expressions are used with the meaning indicated:

cooking	boiling, braising, steaming, pressure cooking, frying, baking, roasting, grilling or barbecuing food.
boiling	cooking food by submerging it in boiling water, or other water-based liquid (e.g. broth or milk); keeping liquid foodstuff (or water) at a boiling temperature.
braising	cooking food with moist heat, e.g. stewing or pot roasting.
steaming	cooking food in an atmosphere with hot steam.
pressure cooking	cooking food at a pressure different (i.e. higher or lower) than that of the atmosphere.
frying	cooking food in hot oil or fat, e.g. pan frying or deep frying.
deep (fat) frying	cooking food by submerging it in hot oil or fat.
baking	cooking food by dry heat acting by conduction, normally in an oven, but also in hot ashes, or on hot stones.
roasting	cooking food with dry high heat.
grilling	applying direct dry high heat to food, most commonly from above, with heat transfer primarily via thermal radiation, e.g. by using the upper heating element of an electric oven, or inside a drawer below the flame of a gas oven.
barbecuing	cooking food with a barbecue by the heat and hot gases of a fire, smoking wood or hot coals of charcoal, or of an electrical heating element.
toasting	browning food by exposure to dry radiant heat, e.g. grilling of sliced bread on both sides.
warming	raising the temperature of food but not cooking it.
grating	disintegrating food, e.g. cheese, with a tool having several sharp protrusions.

Synonyms and Keywords

In patent documents, the following words/expressions are often used as synonyms:

- Frying pan and skillet;
- Vacuum cooking and sub-atmospheric cooking;
- In American English, "grilling" is synonymous with "barbecuing" while "grilling," as defined in the Glossary of terms, is called "broiling."

In patent documents, the following words/expressions are often used with the meaning indicated:

frying pan	a shallow, long-handled pan in which food is fried.
griddle	a sheet of metal of appropriate thickness with a flat frying surface.
grill pan	frying pan which has raised metal ridges for the food to sit on, often used for "frying" without the use of oil or fat, to get a similar pattern to the one achieved by direct barbecuing.
barbecuing, direct method	barbecuing food directly over high heat, e.g. cooking food on a grate directly over hot charcoal, or cooking food in a frying vessel on a grate directly over hot charcoal.

barbecuing, indirect method	a slow barbecue cooking process using indirect heat or hot smoke, e.g. cooking food on a grate with the coals dispersed to the sides of the food, or at a significant distance to the food.
smoking on a barbecue	very slow cooking of food on a barbecue with hot smoke which is drawn past the food by convection.
vacuum flask cooking	cooking food inside a removable pot sealed inside a vacuum flask for prolonged heating with minimum heat loss.

A47J 9/00

Apparatus or utensils for shaping {or dispensing portions of} butter or the like (for use in dairies [A01J 19/00](#), [A01J 21/00](#))

Definition statement

This place covers:

- Apparatus or utensil for shaping butter or the like, e.g. by forming, slicing slabs or molding.
- Apparatus or utensil for dispensing portions of butter or the like.
- Apparatus or utensil for shaping and spreading on other food items.

Relationships with other classification places

Devices for dividing bulk butter or the like are classified in [A01J 23/00](#), and devices for cheese-making are classified in [A01J 25/00](#).

References

Limiting references

This place does not cover:

Hand devices for forming slabs of butter, or the like for use in dairies	A01J 19/00
Machines for forming slabs of butter, or the like for use in dairies	A01J 21/00

Informative references

Attention is drawn to the following places, which may be of interest for search:

Moulding plastic material	B29C
---------------------------	----------------------

A47J 17/00

Household peeling, stringing, or paring implements or machines (for foodstuffs in bulk [A23N](#))

Definition statement

This place covers:

- Hand devices for scraping or peeling vegetables or the like,
- Devices for stringing beans,
- Asparagus peelers,
- Vegetable or fruit grippers or holders for use while peeling,
- Machines for peeling.

References

Limiting references

This place does not cover:

Peeling, stringing, or paring machines for foodstuff in bulk	A23N
--	----------------------

Informative references

Attention is drawn to the following places, which may be of interest for search:

Universal kitchen machines	A47J 43/04
----------------------------	----------------------------

A47J 17/14

Machines for peeling

References

Informative references

Attention is drawn to the following places, which may be of interest for search:

Universal kitchen machines	A47J 43/04
----------------------------	----------------------------

A47J 19/00

Household machines for straining foodstuffs; Household implements for mashing or straining foodstuffs (for foodstuffs in bulk [A23N](#))

Definition statement

This place covers:

- Hand devices for straining foodstuffs,
- Citrus fruit squeezers and other fruit juice extracting devices,
- Household implements for mashing potatoes or other foodstuffs,
- Juice presses for vegetables, e.g. garlic presses.

References

Limiting references

This place does not cover:

Machines or apparatus for extracting juice from foodstuff in bulk	A23N
---	----------------------

Informative references

Attention is drawn to the following places, which may be of interest for search:

Preparation of non-alcoholic beverages, e.g. by adding ingredients to fruit or vegetable juices	A23L 2/02
---	---------------------------

A47J 21/00

Devices for removing stalks from fruit (machines [A23N 15/02](#))

Definition statement

This place covers:

Devices for removing stalks, i.e. stems, from fruit.

References

Limiting references

This place does not cover:

Machines for removing stalks from fruit in bulk	A23N 15/02
---	----------------------------

A47J 23/00

Devices for stoning fruit (machines for stoning fruit in bulk [A23N 3/00](#), [A23N 4/00](#))

Definition statement

This place covers:

Devices for removing stone from fruits such as peaches, plums, apricots, cherries, dates, olives.

References

Limiting references

This place does not cover:

Machines for coring or stoning fruit in bulk, characterised by their feeding device	A23N 3/00
Machines for stoning fruit in bulk, characterised by their stoning device	A23N 4/00

A47J 25/00

Devices for coring fruit (machines for coring fruit in bulk [A23N 3/00](#), [A23N 4/12](#))

Definition statement

This place covers:

Devices for coring fruit, i.e. for removing seed-containing sections from stoneless fruit, apples, pears, tomatoes, pineapple, citrus fruits.

References

Limiting references

This place does not cover:

Machines for coring or stoning fruit in bulk, characterised by their feeding device	A23N 3/00
Machines for coring fruit in bulk, characterised by their removing device	A23N 4/12

A47J 27/00

Cooking-vessels ([A47J 29/00](#) - [A47J 33/00](#) take precedence)

Definition statement

This place covers:

- Cooking vessels used in the household as well as in larger environment such as hotels, restaurants and canteens.
- The constructive arrangement of cooking-vessels (not the choice of materials).
- Cooking vessels with integral electrical heating means. Cooking vessels with enlarged heating surfaces. Vessel for cooking food in steam. Steam-heated vessels for domestic use. Pressure cookers. Cooking vessels with water-bath arrangement for domestic use. Ham boilers. Water boiling vessels, e.g. kettles. Devices to prevent boiling over, e.g. of milk.

References

Limiting references

This place does not cover:

Egg-cookers	A47J 29/00
Apparatus for making beverages	A47J 31/00
Camp cooking devices without integral heating means	A47J 33/00

Informative references

Attention is drawn to the following places, which may be of interest for search:

Parts, details or accessories of cooking vessels, e.g. lids	A47J 36/00
Frying pans	A47J 37/10
Devices for fastening or gripping kitchen utensils (e.g. handles)	A47J 45/00
Methods or processes of manufacturing specially adapted for cooking-vessels (making cooking pots by processing sheet metal or metal tubes, rods or profiles without removing material)	B21D 51/22

Glossary of terms

In this place, the following terms or expressions are used with the meaning indicated:

cooking	boiling, braising, steaming or pressure cooking food.
---------	---

A47J 27/002

{Construction of cooking-vessels; Methods or processes of manufacturing specially adapted for cooking-vessels}

References

Informative references

Attention is drawn to the following places, which may be of interest for search:

Cooking-vessels with enlarged bottom	A47J 27/022
Made of specific materials	A47J 36/02

Making cooking pots by processing sheet metal or metal tubes, rods or profiles without removing material	B21D 51/22
--	----------------------------

A47J 27/05

Tier steam-cookers, i.e. with steam-tight joints between cooking-vessels stacked while in use

References

Informative references

Attention is drawn to the following places, which may be of interest for search:

Tier pressure-cookers	A47J 27/084
Tier cooking-vessels in general	A47J 27/13

A47J 27/06

Steam-heated kettles for domestic use

References

Informative references

Attention is drawn to the following places, which may be of interest for search:

Cooking-vessels with water-bath	A47J 27/10
Cooking-vessels with steam jacket for hotels, restaurants or canteens	A47J 27/17
Milk-boiling vessels with water or steam jacket	A47J 27/57

A47J 27/0817

{Large-capacity pressure cookers; Pressure fryers}

References

Informative references

Attention is drawn to the following places, which may be of interest for search:

Cooking-vessels heated by steam	A47J 27/16
---------------------------------	----------------------------

A47J 27/082

with inserts for cooking different foods separately at the same time; Inserts therefor

References

Informative references

Attention is drawn to the following places, which may be of interest for search:

Inserts for cooking vessels in general	A47J 36/16
--	----------------------------

A47J 27/084**with adjustable volume; Tier pressure-cookers****References****Informative references***Attention is drawn to the following places, which may be of interest for search:*

Tier steam-cookers	A47J 27/05
Tier cooking-vessels in general	A47J 27/13

A47J 27/10**Cooking-vessels with water-bath arrangements for domestic use****References****Informative references***Attention is drawn to the following places, which may be of interest for search:*

Milk-boilers with water-bath	A47J 27/575
------------------------------	-----------------------------

A47J 27/12**Multiple-unit cooking vessels****References****Informative references***Attention is drawn to the following places, which may be of interest for search:*

Carriers for prepared food	A47J 47/14
----------------------------	----------------------------

A47J 27/13**Tier cooking-vessels****References****Informative references***Attention is drawn to the following places, which may be of interest for search:*

Tier steam-cookers with steam-tight joints between stacked vessels	A47J 27/05
Tier pressure-cookers	A47J 27/084

A47J 27/21**Water-boiling vessels, e.g. kettles****References****Informative references***Attention is drawn to the following places, which may be of interest for search:*

For coffee-making machines	A47J 31/54
----------------------------	----------------------------

A47J 27/21166**{Constructional details or accessories}****References****Informative references***Attention is drawn to the following places, which may be of interest for search:*

For coffee makers or the like	A47J 31/44
For cooking vessels in general	A47J 36/00

A47J 27/212**with signaling means, e.g. whistling kettles****References****Informative references***Attention is drawn to the following places, which may be of interest for search:*

Signalling milk-boiling vessels	A47J 27/57
---------------------------------	----------------------------

A47J 27/56**Preventing boiling over, e.g. of milk (appliances for preventing or destroying foam in dairy apparatus for treating milk [A01J 11/02](#))****Definition statement***This place covers:*

Cooking-vessels preventing boiling over, e.g. of milk

References**Limiting references***This place does not cover:*

Appliances for preventing or destroying foam in dairy apparatus for treating milk	A01J 11/02
---	----------------------------

Informative references

Attention is drawn to the following places, which may be of interest for search:

Preventing foaming in boiling in general	B01B 1/02
--	---------------------------

A47J 27/57

Milk-boiling vessels with water or steam jackets, e.g. with signaling means

References**Informative references**

Attention is drawn to the following places, which may be of interest for search:

Cooking-vessels with steam jackets	A47J 27/06 , A47J 27/17
Whistling kettles	A47J 27/212

A47J 27/62

by devices for automatically controlling the heat supply by switching off heaters or for automatically lifting the cooking-vessels

References**Informative references**

Attention is drawn to the following places, which may be of interest for search:

Heat supply regulation in beverage-making machines	A47J 31/047
Timing devices for beverage-making machines	A47J 31/52

A47J 27/64

for automatically lifting the cooking-vessels

References**Informative references**

Attention is drawn to the following places, which may be of interest for search:

Devices for automatically lifting eggs from boiling water	A47J 29/04
---	----------------------------

A47J 29/00

Egg-cookers

Definition statement

This place covers:

- Devices for cooking whole or poached eggs,
- Grasping devices for eggs,
- Supporting devices for eggs during boiling.

References

Informative references

Attention is drawn to the following places, which may be of interest for search:

Holding or clamping devices for fowl, venison or other meat or vegetables during cooking or cutting	A47J 43/18
---	----------------------------

A47J 29/02

for eggs or poached eggs; Time-controlled cookers

Definition statement

This place covers:

Egg-cookers for eggs or poached eggs, including time-controlled egg-cookers

References

Informative references

Attention is drawn to the following places, which may be of interest for search:

Alarm-clock-controlled mechanisms for coffee- or tea-making apparatus; Timers for coffee- or tea-making apparatus; Electronic control devices for coffee- or tea-making apparatus	A47J 31/52
Time-controlled igniting mechanisms or alarm devices for cooking vessels	A47J 36/32
Bread-toasters with automatic bread ejection or timing means	A47J 37/0814

A47J 29/04

Cookers for eggs with devices for automatically lifting the eggs from the boiling water

References

Informative references

Attention is drawn to the following places, which may be of interest for search:

Devices for automatically lifting cooking-vessels	A47J 27/64
---	----------------------------

A47J 29/06

Grasping devices for eggs; Supporting devices for eggs during boiling

References

Application-oriented references

Examples of places where the subject matter of this place is covered when specially adapted, used for a particular purpose, or incorporated in a larger system:

Cookers for eggs with devices for automatically lifting the eggs from the boiling water	A47J 27/64
---	----------------------------

Informative references

Attention is drawn to the following places, which may be of interest for search:

Holding or clamping devices for supporting fowl, venison, or other meat, or vegetables, during cooking or during subsequent cutting	A47J 43/18
---	----------------------------

A47J 31/00

Apparatus for making beverages (household machines or implements for straining foodstuffs [A47J 19/00](#); preparation of non-alcoholic beverages, e.g. by adding ingredients to fruit or vegetable juices, [A23L 2/00](#); coffee or tea pots [A47G 19/14](#); tea infusers [A47G 19/16](#); brewing of beer [C12C](#); preparation of wine or other alcoholic beverages [C12G](#))

Definition statement

This place covers:

Apparatus for preparing beverages, Parts, accessories and details of such apparatus.

References**Limiting references**

This place does not cover:

Household machines or implements for straining foodstuffs	A47J 19/00
Preparation of non-alcoholic beverages, e.g. by adding ingredients to fruit or vegetable juices	A23L 2/00
Coffee or tea pots	A47G 19/14
Tea infusers	A47G 19/16
Brewing of beer	C12C
Preparation of wine or other alcoholic beverages	C12G

Informative references

Attention is drawn to the following places, which may be of interest for search:

Coffee roasters in general	A23N 12/08
Disposable cartridges filled with ingredient for beverage making apparatus	B65D 85/8043
dispensing beverages on draught	B67D 1/00

Special rules of classification

Further details of subgroups.

[A47J 31/002](#):

covers apparatus whose operation follows a specific sequence, e.g. diluting of a concentrate before mixing with other ingredients.

[A47J 31/005](#):

covers portable or compact apparatus, e.g. for travelling, for use in automotive, airplane or other transportation system.

[A47J 31/007:](#)

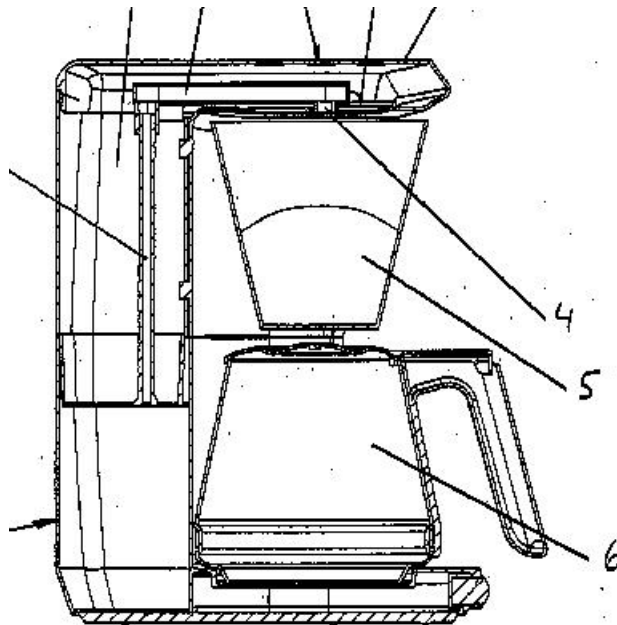
covers apparatus suitable for brewing on a large scale, e.g. for use in restaurants or canteens.

[A47J 31/02:](#)

covers coffee machine having removable extraction cups, or brewing vessels, to be placed on top of drinking vessels (or in general beverage containers), into which hot water is poured (means for securing the extraction cups or brewing vessels to the beverage container are classified under [A47J 31/0626](#)).

[A47J 31/04:](#)

covers apparatus with rising, e.g. vertical, pipes, which are used to convey liquid, that is typically being heated, to higher-located container containing an ingredient. The classical type of drip coffee maker are classified under this subgroup, more precisely in [A47J 31/057](#).

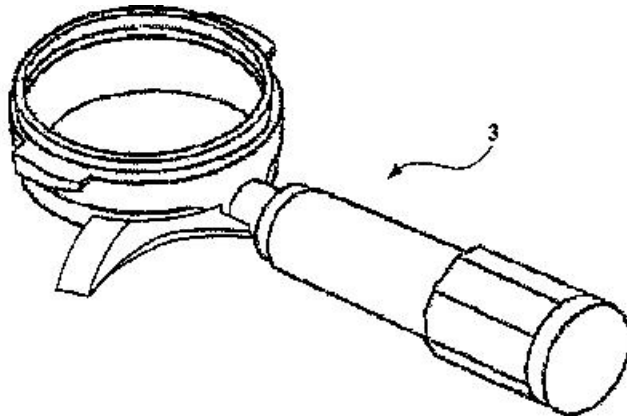


Example of a drip coffee maker (from DE202008015038U by Severin Elektrogeräte GmbH)

[A47J 31/06:](#)

covers filters or strainers for coffee or tea makers, as well as holders for filters, e.g. portafilters for the classical bar espresso machine or similar devices that can be detached from the main body of the apparatus for loading an ingredient therein, both in loose form or prepackaged in a cartridge. This subgroup covers also filter holders for drip coffee maker.

The attachment of a filter holder to the apparatus is covered in subgroup [A47J 31/446](#).



Example of a portafilter (from EP2220971 by SS&W Japan)

[A47J 31/10](#):

Covers coffee-making apparatus in which the water heating container, is placed above or in the upper part of the brewing vessel. To this subgroup belong also those drip coffee makers having the water heating container in a higher position than the brewing vessel (the classical type of drip coffee maker are classified under [A47J 31/057](#)).

[A47J 31/14](#):

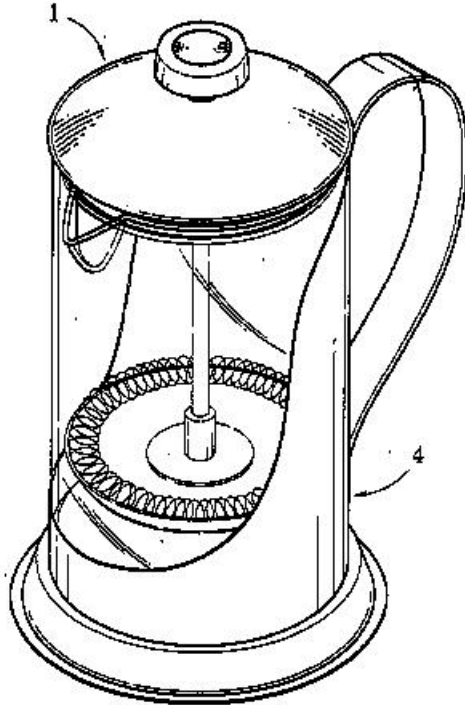
Coffee or tea-making apparatus with filters placed in or behind pouring spouts.

[A47J 31/16](#):

Inverting coffee-making apparatus in which water is boiled in the lower part and the apparatus is subsequently inverted to pass the water through the filter.

[A47J 31/18](#):

Apparatus in which ground coffee or tea-leaves are immersed in the hot liquid in the beverage container (infusing bags [A47G 19/16](#)). This subgroup covers machines for preparing Turkish coffee as well as "French press" machines, the latter being classified under [A47J 31/20](#).



Example of a coffee machine of the type "French press" (from US6186052 by Huang)

[A47J 31/22](#):

Centrifuges for producing filtered coffee.

[A47J 31/24](#):

Coffee-making apparatus in which hot water is passed through the filter under pressure, i.e. in which the coffee grounds are extracted under pressure. Espresso coffee machines are classified under this subgroup. The espresso machines used in bars or coffee establishments, i.e. having a pump to set brewing water under pressure, are classified under [A47J 31/36](#) and its subdivisions. Moka machines are classified [A47J 31/303](#) or [A47J 31/306](#).

[A47J 31/40](#):

Beverage-making apparatus with dispensing means for adding a measured quantity of (soluble) ingredients, e.g. coffee, water, sugar, cocoa, milk, tea. The preparation process in these machines is based on mixing soluble ingredients with a liquid (typically water). No infusion/brewing takes place in these machines.

Note: dispensers of beverages obtained by mixing liquid ingredients (typically water with syrups or concentrates) without providing any heating are classified under [B67D 1/00](#). The presence of heating means is the decisive factor in these cases:

- heating means are present: classified under [A47J 31/00](#)
- heating means are not present: classified under [B67D 1/00](#)

[A47J 31/42](#):

Beverage-making apparatus with incorporated grinding or roasting means for coffee. Fully automatic espresso machines, i.e. machines to be loaded with coffee beans. Coffee mills per se are classified under [A47J 42/00](#).

[A47J 31/44](#):

Parts, details or accessories of beverage-making apparatus. Computer-controlled beverage makers are classified under [A47J 31/52](#).

Filters, filter holders or strainers are classified under [A47J 31/06](#).

Glossary of terms

In this place, the following terms or expressions are used with the meaning indicated:

Brewing, extraction, infusion	beverage production process during which water is in contact with an ingredient for a certain time, after which the ingredient is separated from the obtained beverage by a suitable filtering means
Espresso coffee machine	Coffee machine which is arranged to brew a load of coffee by means of hot water under pressure, i.e. above atmospheric pressure
Portafilter	Cup-shaped element of an espresso machine, usually provided with a handle, which is arranged to be loaded with an ingredient (typically coffee) and then detachably engage an outlet of pressurized hot water of the machine for brewing the loaded ingredient with hot water under pressure
Drip coffee maker	Coffee machine having a brewing container with a filter (usually in the form of a brewing basket with paper filter) located above the beverage container, the machine having arrangements for having hot water delivered at ambient pressure into the brewing container, with the brewed beverage dripping from the brewing container into the beverage container located below it
Turkish coffee	Coffee obtained by immersing coffee powder into a beverage container containing hot water for a given time. The obtained beverage is then drunk unfiltered directly from the beverage container, i.e. the coffee powder is not filtered out and remains at the bottom of the container after drinking
"French press" coffee machine	Coffee machine having a beverage container in which coffee powder is immersed in hot water for a given infusion time. The machine is provided with a movable, immersible filter, typically in the form of a piston, which is actuated by the user to separate the beverage from the coffee powder upon elapsing of the infusion time
Moka coffee machine	type of espresso apparatus, e.g. to put on a stove, i.e. in which the water is heated in a lower, sealed boiling vessel, raised by the steam pressure through a rising pipe and an extraction chamber and subsequently is collected in a beverage container on top of the water boiling vessel

A47J 31/02

Coffee-making machines with removable extraction cups, to be placed on top of drinking-vessels {i.e. coffee-makers with removable brewing vessels, to be placed on top of beverage containers, into which hot water is poured}, e.g. cafe filter (filters [A47J 31/06](#))

References

Limiting references

This place does not cover:

Filters	A47J 31/06
---------	----------------------------

Informative references

Attention is drawn to the following places, which may be of interest for search:

With integral heating means	A47J 31/10
-----------------------------	----------------------------

A47J 31/04

Coffee-making apparatus with rising pipes

References

Informative references

Attention is drawn to the following places, which may be of interest for search:

Pressure coffee-makers	A47J 31/24
------------------------	----------------------------

A47J 31/057

with water container separated from beverage container, the hot water passing the filter only once {i.e. classical type of drip coffee makers}

References

Informative references

Attention is drawn to the following places, which may be of interest for search:

Drip coffee makers only functioning with the water heating container in a higher position than the brewing vessel	A47J 31/10
---	----------------------------

A47J 31/0689

{Reusable cartridges suitable to be opened for being filled with brewing material and to be closed to envelope the brewing material therein}

References**Informative references**

Attention is drawn to the following places, which may be of interest for search:

Disposable cartridges to be filled by the user with brewing material	A47J 31/08
Disposable cartridges already filled with brewing material	B65D 85/8043

A47J 31/10

Coffee-making apparatus, in which the brewing vessel {, i.e. water heating container}, is placed above or in the upper part of the beverage containers {i.e. brewing vessel}; Drip coffee-makers {with the water heating container in a higher position than the brewing vessel} ([A47J 31/02](#) takes precedence)

References**Limiting references**

This place does not cover:

Coffee-making machines with removable extraction cups, to be placed on top of drinking-vessels	A47J 31/02
--	----------------------------

Informative references

Attention is drawn to the following places, which may be of interest for search:

With hot water transport by rising pipes	A47J 31/057
--	-----------------------------

A47J 31/18

Apparatus in which ground coffee or tea-leaves are immersed in the hot liquid in the beverage container

References**Informative references**

Attention is drawn to the following places, which may be of interest for search:

Infusing bags	A47G 19/16
---------------	----------------------------

A47J 31/3609**{Loose coffee being employed}****References*****Informative references****Attention is drawn to the following places, which may be of interest for search:*

With a filtering tape	A47J 31/3652
-----------------------	------------------------------

A47J 31/408**{with means for moving a filter in the form of a tape}****References*****Informative references****Attention is drawn to the following places, which may be of interest for search:*

Coffee or tea filters	A47J 31/06
-----------------------	----------------------------

A47J 31/4442**{in combination with a continuous-flow heater for the water}****References*****Informative references****Attention is drawn to the following places, which may be of interest for search:*

Continuous-flow heaters	A47J 31/542
-------------------------	-----------------------------

A47J 31/4457**{Water-level indicators}****References*****Informative references****Attention is drawn to the following places, which may be of interest for search:*

Water-level controls	A47J 31/56
----------------------	----------------------------

A47J 31/50**Urns with devices for keeping beverages hot or cool****Definition statement***This place covers:*

Urns with devices for keeping beverages hot or cool a part of the beverage-making apparatus

References

Informative references

Attention is drawn to the following places, which may be of interest for search:

Devices for warming-up drink-containers not being a part of the beverage-making apparatus	A47J 36/24
Thermally-insulated vessels, e.g. flasks, jugs, jars, not being a part of the beverage-making apparatus	A47J 41/00

A47J 31/52

Alarm-clock-controlled mechanisms for coffee- or tea-making apparatus {; Timers for coffee- or tea-making apparatus; Electronic control devices for coffee- or tea-making apparatus}

Definition statement

This place covers:

Alarm-clock-controlled mechanisms for coffee- or tea-making apparatus.

Timers for coffee- or tea-making apparatus.

Electronic control devices for coffee- or tea-making apparatus.

References

Informative references

Attention is drawn to the following places, which may be of interest for search:

Water-level controls for water boiling vessels in beverage-making apparatus	A47J 31/56
Safety devices in beverage-making apparatus	A47J 31/58

A47J 31/54

Water boiling vessels {in beverage making machines}

References

Informative references

Attention is drawn to the following places, which may be of interest for search:

As an independent water-boiling vessel	A47J 27/21
--	----------------------------

A47J 33/00

Camp cooking devices without integral heating means (travelling cookers with one burner [A47J 36/26](#))

Definition statement

This place covers:

Outside cooking devices that are intended to be located in the vicinity of a suitable heating means (not integral to the device) and provide some sort of support for a foodstuff to be cooked.

References

Limiting references

This place does not cover:

Travelling cookers with one burner	A47J 36/26
------------------------------------	----------------------------

Informative references

Attention is drawn to the following places, which may be of interest for search:

Small-size cooking ovens	A47J 37/0623
Roasting devices for outdoor use; Barbecues	A47J 37/07
Other travelling cookers heated by petroleum, gasoline, spirit or the like	F24C

A47J 36/00

Parts, details or accessories of cooking-vessels ([A47J 27/00](#) - [A47J 33/00](#) take precedence insofar as these parts, details or accessories are restricted to a particular kind of cooking-vessel provided for in a single one of these groups)

Definition statement

This place covers:

- Selection of specific materials for cooking vessels.
- Lids or covers for cooking vessels.
- Pouring spouts for cooking vessels.
- Inserts for cooking vessels, i.e. elements or devices arranged to be inserted in cooking devices during cooking.
- Warming devices. Warming devices for baby bottles. Travelling cookers using petroleum or gasoline with one burner. Warming devices generating heat by exothermic reactions.
- Time-controlled igniting mechanisms or alarm devices, also computer-controlled devices for cooking vessels.
- Supports for cooking vessels.
- Shields or jackets for cooking utensils minimising the radiation of heat, fastened or movably mounted.
- Accessories for withdrawing or condensing cooking vapours from cooking utensils.
- Leak-stopping devices for repairing cooking-vessels.
- Devices to prevent deposition of scale, i.e. fur, or the like.

Relationships with other classification places

[A47J 27/00](#) - [A47J 33/00](#) take precedence insofar as these parts, details or accessories are restricted to a particular kind of cooking-vessel provided for in a single one of these groups

The warming devices classified under [A47J 36/24](#) are intended for the warming of food. Cupboards with heating arrangements for warming kitchen utensils, e.g. dishes, are classified under [A47J 39/025](#).

References

Limiting references

This place does not cover:

Cooking-vessels	A47J 27/00
Egg-cookers	A47J 29/00
Apparatus for making beverages	A47J 31/00
Camp cooking devices without integral heating means	A47J 33/00

Informative references

Attention is drawn to the following places, which may be of interest for search:

Lids for pressure cookers	A47J 37/08
Heat-insulated warming chambers	A47J 39/00
Handles for cooking vessels	A47J 45/06
Supports for kitchen utensils	A47J 47/16
Containers with means for keeping food cool	A47G 23/04
Processes for applying fluoropolymers to obtain an anti-adhesive surface	B05D 5/083
Packages having self-contained heating means generating heat by an exothermic reaction	B65D 81/3484
Heating devices for cooking vessels in general	F24
Pan supports or grates for domestic stoves or ranges	F24C 15/107
Devices for removing cooking fumes from domestic stoves or ranges	F24C 15/20

A47J 36/02

Selection of specific materials, e.g. heavy bottoms with copper inlay or with insulating inlay

References

Informative references

Attention is drawn to the following places, which may be of interest for search:

Processes for applying fluoropolymers to obtain an anti-adhesive surface	B05D 5/083
--	----------------------------

A47J 36/022

{Cooking- or baking-vessels or supports thereof for using only once (eating- or serving-plates for using only once [A47G 19/02](#))}

References**Informative references**

Attention is drawn to the following places, which may be of interest for search:

Eating- or serving-plates for using only once	A47G 19/02
Heat-resistant food-packages	B65D 81/34

A47J 36/06

Lids or covers for cooking-vessels (specially adapted for pressure-cookers [A47J 27/08](#))

References**Limiting references**

This place does not cover:

Lids or covers specially adapted for pressure-cookers	A47J 27/08
---	----------------------------

Informative references

Attention is drawn to the following places, which may be of interest for search:

Preventing boiling over of milk	A47J 27/56
---------------------------------	----------------------------

A47J 36/062

{non-integrated lids or covers specially adapted for deep fat fryers}

References**Informative references**

Attention is drawn to the following places, which may be of interest for search:

Lids or covers integrated with deep fat fryers	A47J 37/128
--	-----------------------------

A47J 36/064

{non-integrated lids or covers specially adapted for frying-pans}

References**Informative references**

Attention is drawn to the following places, which may be of interest for search:

Lids integrated with frying pans	A47J 37/101
----------------------------------	-----------------------------

A47J 36/14**Pouring-spouts, e.g. as parts separate from vessel****References****Informative references***Attention is drawn to the following places, which may be of interest for search:*

Spouts	B05B 1/22
--------	---------------------------

A47J 36/16**Inserts****References****Informative references***Attention is drawn to the following places, which may be of interest for search:*

For preventing boiling over of milk	A47J 27/60
For frying pans	A47J 37/108

A47J 36/18**Boilers or utensils with sieves inserted therein, e.g. potato-cookers****References****Informative references***Attention is drawn to the following places, which may be of interest for search:*

Perforated supports	A47J 36/20
Basting devices in frying-pans	A47J 37/106

A47J 36/2477**{using solid fuel, e.g. with candles}****References****Informative references***Attention is drawn to the following places, which may be of interest for search:*

Baby bottle warmers	A47J 36/2422
Drinking cups	A47J 36/245

A47J 36/2483**{with electrical heating means}****References****Informative references***Attention is drawn to the following places, which may be of interest for search:*

Baby bottle warmers	A47J 36/2433
Drinking cups	A47J 36/2461

A47J 36/26**Devices for warming vessels containing drinks or food, especially by means of burners {Warming devices with a burner, e.g. using gasoline}; Travelling cookers, e.g. using petroleum or gasoline with one burner****References****Informative references***Attention is drawn to the following places, which may be of interest for search:*

Baby bottle warmers	A47J 36/2411
Drinking cups	A47J 36/2444
Using solid fuel	A47J 36/2477
With electrical heating means	A47J 36/2483

A47J 36/28**Warming devices generating the heat by exothermic reactions, e.g. heat released by the contact of unslaked lime with water****References****Informative references***Attention is drawn to the following places, which may be of interest for search:*

Packages having self-contained heating means generating heat by an exothermic reaction	B65D 81/3484
Materials for producing heat by chemical reactions	C09K 5/16

A47J 36/32**Time-controlled igniting mechanisms or alarm devices****Definition statement***This place covers:*

Time-controlled igniting mechanisms or alarm devices for cooking-vessels

References

Informative references

Attention is drawn to the following places, which may be of interest for search:

Time-controlled egg-cookers	A47J 29/02
Alarm-clock-controlled mechanisms for coffee- or tea-making apparatus; Timers for coffee- or tea-making apparatus; Electronic control devices for coffee- or tea-making apparatus	A47J 31/52
Bread-toasters with automatic bread ejection or timing means	A47J 37/0814

A47J 36/34

Supports for cooking-vessels

References

Informative references

Attention is drawn to the following places, which may be of interest for search:

For kitchen utensils	A47J 47/16
----------------------	----------------------------

A47J 36/38

for withdrawing or condensing cooking vapors from cooking utensils

References

Informative references

Attention is drawn to the following places, which may be of interest for search:

Removing cooking fumes from domestic stoves or ranges	F24C 15/20
---	----------------------------

A47J 37/00

Baking; Roasting; Grilling; Frying (bakers' ovens, non-domestic baking apparatus or equipment [A21B](#); domestic stoves or ranges [F24B](#), [F24C](#))

Definition statement

This place covers:

Devices for baking, roasting, grilling, frying. Vessels uniquely adapted for baking in a domestic environment. Roasting apparatus with movably-mounted food supports or with movable heating implements. Small-size ovens. Barbecues and accessories thereof. Bread toasters and accessories thereof. Frying pans and accessories thereof (including lids). Deep fat fryers (not pressure fryers) and accessories thereof (including lids or covers).

References

Limiting references

This place does not cover:

Pressure fryers	A47J 27/0817
-----------------	------------------------------

Informative references

Attention is drawn to the following places, which may be of interest for search:

Devices for withdrawing or condensing cooking vapors	A47J 36/38
--	----------------------------

Special rules of classification

Further details of subgroups.

[A47J 37/0623:](#)

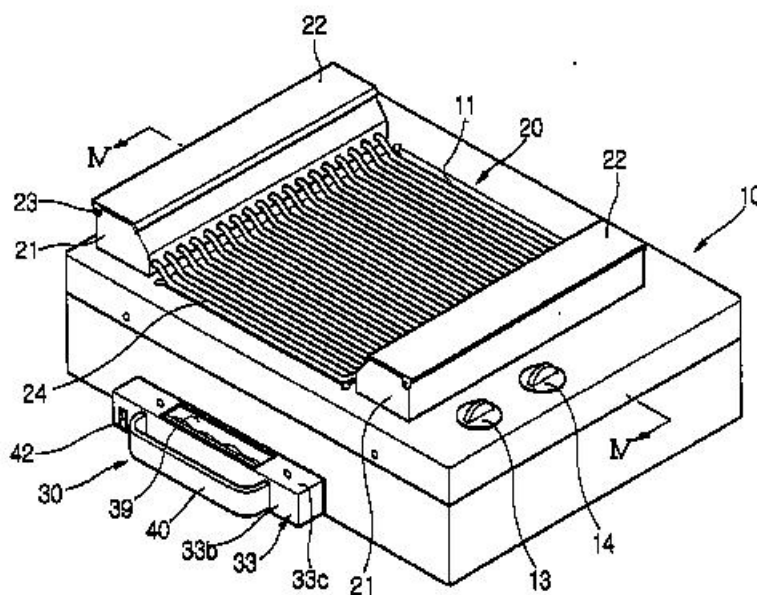
This subgroup comprises small ovens generally to be located on a kitchen countertop, and defining an at least partially closed cooking cavity.

[A47J 37/067:](#)

This subgroup comprises horizontally disposed griddles arranged to be heated by suitable heating means, the food being disposed in direct contact with the griddle during cooking.

[A47J 37/07:](#)

This subgroup comprises barbecues for both indoor and outdoor use. Open grills having a rack not enclosed in a cavity are considered as barbecues and thus classified in this subgroup.



Example of an open grill (from EP1417918 by Samsung Electronics Co., Ltd.)

Glossary of terms

In this place, the following terms or expressions are used with the meaning indicated:

Small-size cooking oven	small oven generally to be located on a kitchen countertop
-------------------------	--

A47J 37/04

Roasting apparatus with movably-mounted food supports or with movable heating implements; Spits

References**Informative references**

Attention is drawn to the following places, which may be of interest for search:

Field-cookers	A47J 33/00 , A47J 36/26 , F24B
---------------	---

A47J 37/0623

{Small-size cooking ovens, i.e. defining an at least partially closed cooking cavity ([A47J 37/0605](#) takes precedence)}

References**Informative references**

Attention is drawn to the following places, which may be of interest for search:

Specially adapted for "raclettes"	A47J 37/0605
Barbecues	A47J 37/07

A47J 37/07

Roasting devices for outdoor use; Barbecues

References**Informative references**

Attention is drawn to the following places, which may be of interest for search:

Field-cookers	A47J 33/00 , A47J 36/26
---------------	---

A47J 37/08

Bread-toasters

References**Informative references**

Attention is drawn to the following places, which may be of interest for search:

Electric heating elements	H05B
---------------------------	----------------------

A47J 37/0857**{with bread supports or heating means movable during the toasting operation}****References****Informative references***Attention is drawn to the following places, which may be of interest for search:*

Meat roasting	A47J 37/04
---------------	----------------------------

A47J 37/101**{Integrated lids}****References****Informative references***Attention is drawn to the following places, which may be of interest for search:*

Non-integrated lids specially adapted for frying pans	A47J 36/064
---	-----------------------------

A47J 37/12**Deep fat fryers, e.g. for frying fish or chips****Definition statement***This place covers:*

Frying in a fluid fat, e.g. oil.

Relationships with other classification places

Frying in a fluid fat, e.g. oil is classified in [A47J 37/12](#), whereas "frying" by means of small-sized ovens with forced air circulation, whereby the vapour can contain fat, e.g. air fryers, is covered by group [A47J 37/0641](#).

References**Informative references***Attention is drawn to the following places, which may be of interest for search:*

Frying under pressure	A47J 27/0817
Devices for withdrawing or condensing frying vapours	A47J 36/38
Small-size ovens with forced air circulation, e.g. air fryers	A47J 37/0641

A47J 37/1214**{the food being transported through an oil-bath}****References****Informative references***Attention is drawn to the following places, which may be of interest for search:*

For bakery products	A21B 5/08
---------------------	---------------------------

A47J 37/128**{Integrated lids or covers}****References****Informative references***Attention is drawn to the following places, which may be of interest for search:*

Non-integrated lids specially adapted for deep fat fryers	A47J 36/062
---	-----------------------------

A47J 39/00**Heat-insulated warming chambers; Cupboards with heating arrangements for warming kitchen utensils****Definition statement***This place covers:*

Heat-insulated warming chambers, i.e. having a warming cavity, e.g. warming cabinets. Cabinets for keeping dished warm before use. This group covers warming chambers, e.g. devices to keep food warm or to warm precooked food, however the devices in this group are not arranged to perform cooking processes.

References**Limiting references***This place does not cover:*

Warming devices (not comprising chambers)	A47J 36/24
Small-size cooking ovens	A47J 37/0623

Informative references*Attention is drawn to the following places, which may be of interest for search:*

Force circulation in ovens	F24C 15/322
----------------------------	-----------------------------

A47J 39/02

Dish-warmers; Devices to keep food hot

References

Informative references

Attention is drawn to the following places, which may be of interest for search:

For either storing and preparing or for preparing food on serving trays, e.g. heating, thawing, preserving	A47J 39/00
--	----------------------------

A47J 41/00

Thermally-insulated vessels, e.g. flasks, jugs, jars

Definition statement

This place covers:

Thermally-insulated vessels, e.g. flasks, jugs, jars, for foodstuff, e.g. vacuum bottles.

References

Informative references

Attention is drawn to the following places, which may be of interest for search:

Containers with thermal insulation in general	B65D 81/38
Thermal insulation of domestic water storage heaters	F24H 1/182

A47J 42/00

Coffee mills; Spice mills

Definition statement

This place covers:

- Domestic mills for grinding coffee or spices in granulated form, as such, i.e. devices performing only the function of grinding.
- Their parts and details.

References

Informative references

Attention is drawn to the following places, which may be of interest for search:

Beverage-making apparatus with incorporated grinding means for coffee	A47J 31/42
Mills forming part of universal domestic machines for processing foodstuff	A47J 43/04
Mills forming part of multi-purpose domestic machines for processing foodstuff	A47J 44/00
Grinding or pulverising in general	B02C

A47J 42/48**Attachment of mills to tables, walls, or the like****References****Informative references**

Attention is drawn to the following places, which may be of interest for search:

Attachment of household machines in general to tables, walls, or the like	A47J 45/02
---	----------------------------

A47J 42/52**Coffee mills combined with roasting devices****References****Informative references**

Attention is drawn to the following places, which may be of interest for search:

Combinations of coffee mills with coffee-making machines	A47J 31/42
Coffee-roasting devices	A23N 12/00

A47J 43/00**Implements for preparing or holding food, not provided for in other groups of this subclass****Definition statement**

This place covers:

Machines for domestic use not covered by the other groups in this subclass, e.g. for grinding, stirring, kneading, emulsifying, whipping or beating foodstuff.

Egg whisks.

Cream-beaters, i.e. hand implements.

Whipping by introducing a stream of gas.

Devices for opening raw eggs.

Implements for introducing fat, bacon or the like into meat.

Larding-pins.

Holding or clamping devices for supporting fowl, venison, or other meat, or vegetables, during cooking or during subsequent cutting.

Shapes for preparing foodstuffs, e.g. meat-patty moulding devices, pudding moulds.

Kitchen sifters.

Devices for washing vegetables or the like; Colanders.

Devices for grating.

Definition statement

Nutcrackers.

Devices for mixing drinks; Hand-held shakers.

Other culinary hand implements, e.g. spatulas, pincers, forks or like food holders, ladles, skimming ladles, cooking spoons.

Spoon-holders attached to cooking pots.

References

References out of a residual place

Examples of places in relation to which this place is residual:

Household food straining implements	A47J 19/00
Milk-foaming devices for coffee-making machines	A47J 31/4485 , A47J 31/4489
Multi-purpose machines for preparing food with several driving units	A47J 44/00

Informative references

Attention is drawn to the following places, which may be of interest for search:

Appliances for aerating or de-aerating milk	A01J 11/04
Ice confectionery; Ice cream	A23G 9/00
Machines for washing potatoes, beets, apples on an industrial scale	A23N 12/023
Plates with integral holders for spoons	A47G 19/06
Hand implements for table use	A47G 21/00
Measuring spoons for powders	A61J
Measuring flasks	B01L 3/00
Machines for washing grain	B02B 1/04
Weighing spoons	G01G 19/56

A47J 43/005

{Basting devices (basting devices integrated in frying pans [A47J 37/106](#))}

References

Limiting references

This place does not cover:

Basting devices integrated in frying pans	A47J 37/106
---	-----------------------------

A47J 43/04

Machines for domestic use not covered elsewhere, e.g. for grinding, mixing, stirring, kneading, emulsifying, whipping or beating foodstuffs, e.g. power-driven

References**Informative references**

Attention is drawn to the following places, which may be of interest for search:

Food straining implements	A47J 19/00
Devices for grating	A47J 43/25
Multi-purpose machines	A47J 44/00

A47J 43/042

Mechanically-driven liquid shakers

References**Informative references**

Attention is drawn to the following places, which may be of interest for search:

Hand-held shakers	A47J 43/27
-------------------	----------------------------

A47J 43/12

Whipping by introducing a stream of gas

References**Informative references**

Attention is drawn to the following places, which may be of interest for search:

Milk-foaming devices adapted to coffee-making machines	A47J 31/4485 , A47J 31/4489
Aerating or deaerating milk	A01J 11/04
Making ice-cream	A23G 9/20

A47J 43/14

Devices {or machines} for opening raw eggs or separating the contents thereof

References**Informative references**

Attention is drawn to the following places, which may be of interest for search:

Openers for boiled eggs	A47G 19/28
-------------------------	----------------------------

A47J 43/24**Devices for washing vegetables or the like****References****Informative references**

Attention is drawn to the following places, which may be of interest for search:

Machines for washing potatoes, beets, apples on an industrial scale	A23N 12/023
Machines for washing grain	B02B 1/04

A47J 43/26**Nutcrackers****References****Informative references**

Attention is drawn to the following places, which may be of interest for search:

Pliers	B25B 7/00
--------	---------------------------

A47J 43/28**Other culinary hand implements, e.g. spatulas, pincers, forks or like food holders, ladles, skimming ladles, cooking spoons; Spoon-holders attached to cooking pots****References****Informative references**

Attention is drawn to the following places, which may be of interest for search:

Measuring spoons for powders	A61J
Measuring flasks	B01L 3/00
Calibrated capacity measures for fluids or fluent solid material	G01F 19/00
Weighing spoons	G01G 19/56

A47J 44/00**Multi-purpose machines for preparing food {with several driving units}****Definition statement**

This place covers:

Multi-purpose machines, e.g. capable of preparing food for cooking and then cooking it.

A47J 45/00

Devices for fastening or gripping kitchen utensils {or crockery} (kitchen cabinets with provisions for attachment of kitchen implements or utensils [A47B 77/00](#))

Definition statement

This place covers:

Devices for fastening or gripping kitchen utensils or crockery, i.e. utensils used for food preparation such as cooking, not for food serving or eating.

Handles for hollow-ware articles, both fixed and detachable.

References**Limiting references**

This place does not cover:

Kitchen cabinets with provision for attachment of kitchen implements or utensils	A47B 77/00
Supports, holders or containers for household or table equipment utensils (i.e. not for cooking)	A47G 29/087

A47J 45/02

for fastening kitchen utensils to tables, walls, or the like

References**Informative references**

Attention is drawn to the following places, which may be of interest for search:

For household utensils	A47G 29/087
------------------------	-----------------------------

A47J 45/06

Handles for hollow-ware articles

References**Informative references**

Attention is drawn to the following places, which may be of interest for search:

Handles for metallic holders	B65D
------------------------------	----------------------

A47J 45/08**Heat-insulating handles****References****Informative references**

Attention is drawn to the following places, which may be of interest for search:

Of detachable type	A47J 45/07
--------------------	----------------------------

A47J 45/10**Devices for gripping or lifting hot cooking utensils, e.g. pincers, separate pot handles, fabric or like pads****References****Informative references**

Attention is drawn to the following places, which may be of interest for search:

Egg grasping devices	A47J 29/06
Plate-holders	A47G 19/08

A47J 47/00**Kitchen containers, stands or the like, not provided for in other groups of this subclass; Cutting-boards, e.g. for bread {(bowls for food processors [A47J 43/0727](#))}****Definition statement**

This place covers:

- Cutting boards.
- Containers with dispensing devices as kitchen equipment. Closed containers for foodstuff as kitchen equipment.
- Carriers for prepared human food.
- Stands or holders for kitchen articles.
- Pails for kitchen use.
- Grids, racks, or other supports removably mounted in, on, or over sinks. Splash guards for sinks.

References**Limiting references**

This place does not cover:

Bowls for food processors	A47J 43/0727
---------------------------	------------------------------

Informative references

Attention is drawn to the following places, which may be of interest for search:

Dispensing devices for butter	A47J 9/00
-------------------------------	---------------------------

Lunch or picnic boxes	A45C 11/20
Containers used as table equipment	A47G 19/30
Containers with dispensing devices for table use	A47G 19/32

A47J 47/01

with dispensing devices

References

Informative references

Attention is drawn to the following places, which may be of interest for search:

For butter or the like	A47J 9/00
For table use	A47G 19/32

A47J 47/02

Closed containers for foodstuffs

References

Informative references

Attention is drawn to the following places, which may be of interest for search:

For table use	A47G 19/30
---------------	----------------------------

A47J 47/16

Stands, or holders for kitchen articles

References

Informative references

Attention is drawn to the following places, which may be of interest for search:

Racks	A47B
-------	----------------------

A47J 47/20

Grids, racks or other supports removably mounted in, on or over sinks (splash guards for sinks [E03C 1/181](#), [E03C 1/186](#))

References

Informative references

Attention is drawn to the following places, which may be of interest for search:

Splash guards for sinks	E03C 1/181 , E03C 1/186
-------------------------	---