

## A47G

### HOUSEHOLD OR TABLE EQUIPMENT (book-ends [A47B 5/00](#); knives [B26B](#))

#### Definition statement

*This place covers:*

[A47G](#) relates to household or hotel equipment:

- Distinguished from kitchen equipment ([A47J](#)), shop equipment ([A47F](#)) and bathroom equipment ([A47K](#)),
- Not including furniture ([A47B](#), [A47C](#)), cleaning equipment ([A47L](#)) and
- Not including equipment otherwise provided for e.g. heating/cooling equipment [F24/F25](#), building equipment [E04F](#), games [A63F](#), toys [A63H](#), electrical equipment for example lighting devices [F21V](#), electric heating equipment [H05B](#), musical instruments [G10](#) and radio/television/telephone sets [H04](#).

### A47G 1/00

**Mirrors (as optical elements [G02B 5/08](#)); Picture frames or the like, {e.g. provided with heating, lighting or ventilating means}**

#### References

##### Informative references

*Attention is drawn to the following places, which may be of interest for search:*

As optical elements	<a href="#">G02B 5/08</a>
---------------------	---------------------------

### A47G 1/02

**Mirrors used as equipment (hand, pocket, or shaving mirrors [A45D 42/00](#); {optical viewing means for vehicles [B60R 1/00](#)})**

#### Definition statement

*This place covers:*

Mirrors for home use e.g. to comb hair or to dress, bathroom mirrors, decorative mirrors, etc.

#### References

##### Informative references

*Attention is drawn to the following places, which may be of interest for search:*

Tiltable mirrors fixed to a cabinet	<a href="#">A47G 1/24</a>
Shaving, portable, hand mirrors	<a href="#">A45D 42/00</a>
Convex shop mirrors	<a href="#">A47F 13/00</a>
Car mirrors	<a href="#">B60R 1/00</a>
Mirrors as optical element as such	<a href="#">G02B 5/00</a>
Digital mirrors	<a href="#">G06T 11/00</a>

## A47G 1/06

### Picture frames (making from paper [B31D](#))

#### References

##### Informative references

Attention is drawn to the following places, which may be of interest for search:

Making Picture frames from paper	<a href="#">B31D</a>
Postcards	<a href="#">B42D 15/00</a>
Digital picture frames	<a href="#">G06F 3/14</a> , <a href="#">G09G 5/00</a>
Showcards, menu cards e.g. of carton	<a href="#">G09F 1/00</a>
Display frames for commercial use, outdoor use e.g. posters	<a href="#">G09F 15/00</a>
CD, DVD,VCR holders e.g. stands, cases, cabinets	<a href="#">G11B 33/02</a>

## A47G 1/0616

### {Ornamental frames, e.g. with illumination, speakers or decorative features}

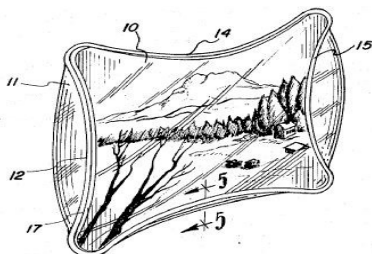
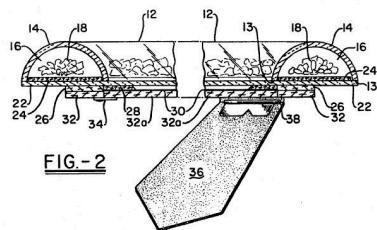
#### Definition statement

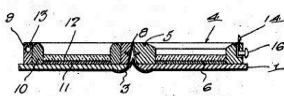
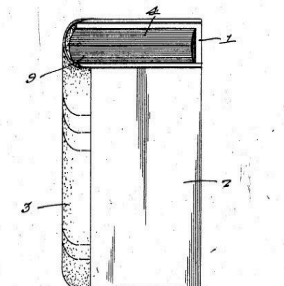
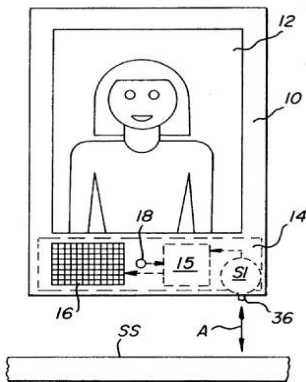
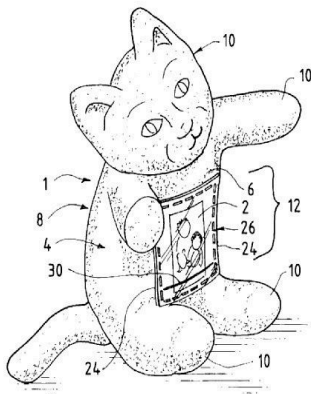
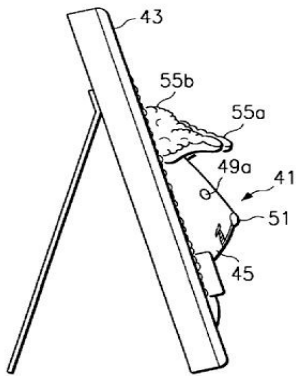
*This place covers:*

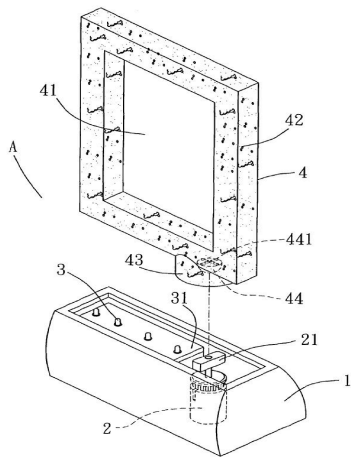
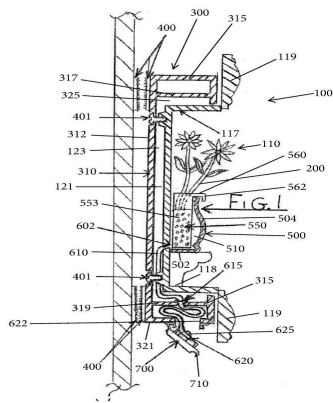
Picture frames comprising special features other than those necessary for picture display such as:

- picture frames having special features, e.g. decoration, illumination, sound, inflatability,
- picture frames in combination with another article, e.g. furniture, article of clothing, book, firefighting equipment, doll.

Examples:







## References

### Informative references

Attention is drawn to the following places, which may be of interest for search:

Frames comprising magnifying properties	<a href="#">A47G 2001/002</a>
Frames made from flexible material	<a href="#">A47G 2001/005</a>
Frames for housing medals, badges or the like	<a href="#">A47G 1/12</a>
Decorative arts	<a href="#">B44C</a> , <a href="#">B44D</a> , <a href="#">B44F</a>
Mountings for pictures; Mountings of horns on plates	<a href="#">B44C 5/02</a>
Advertising frames	<a href="#">G09F 15/00</a>
Cases for storing discs	<a href="#">G11B 33/0405</a>

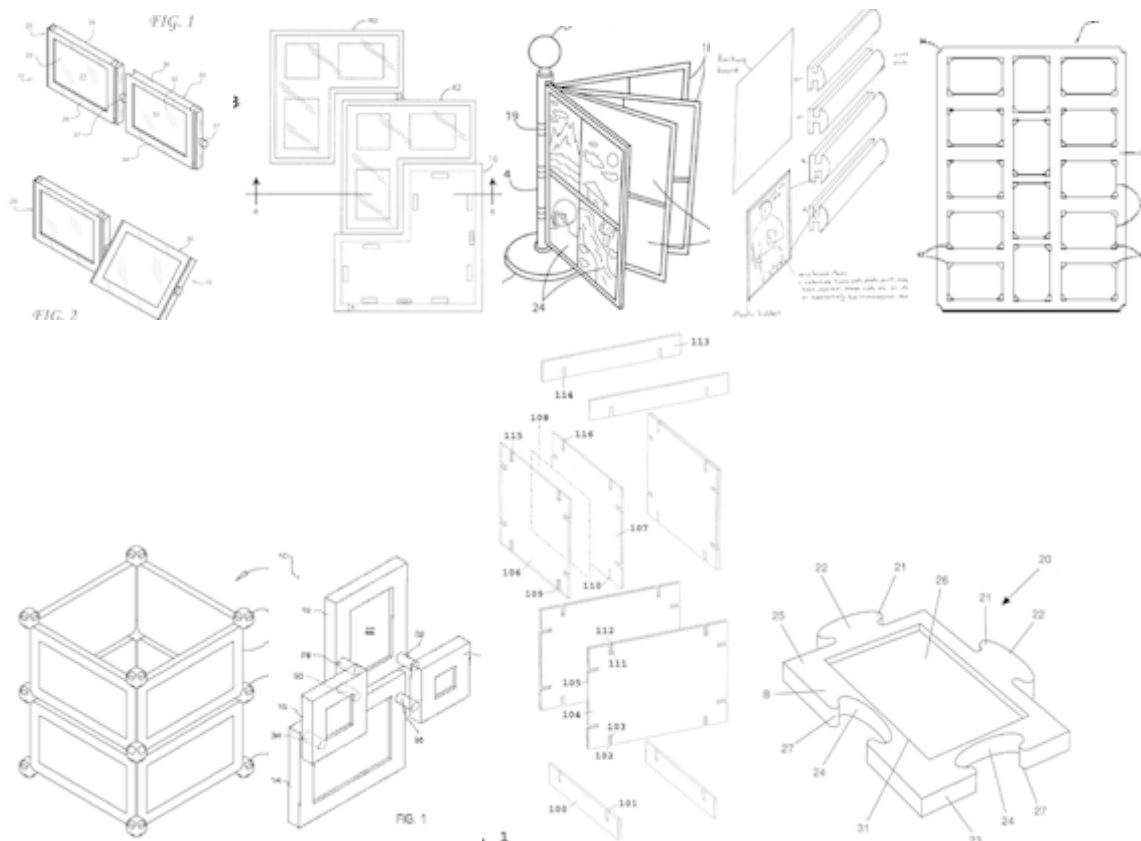
## A47G 1/065

{Interconnected frames; Frame assemblies; Frames for two or more pictures}

### Definition statement

*This place covers:*

Illustrative example of subject matter classified in this group.



## A47G 1/08

adjustable {(A47G 1/0644 takes precedence)}

### References

#### Limiting references

*This place does not cover:*

Using a tension wire for holding the members or corner pieces together	<a href="#">A47G 1/0644</a>
--	-----------------------------

## A47G 1/101

{for insertion within frame members}

### Definition statement

*This place covers:*

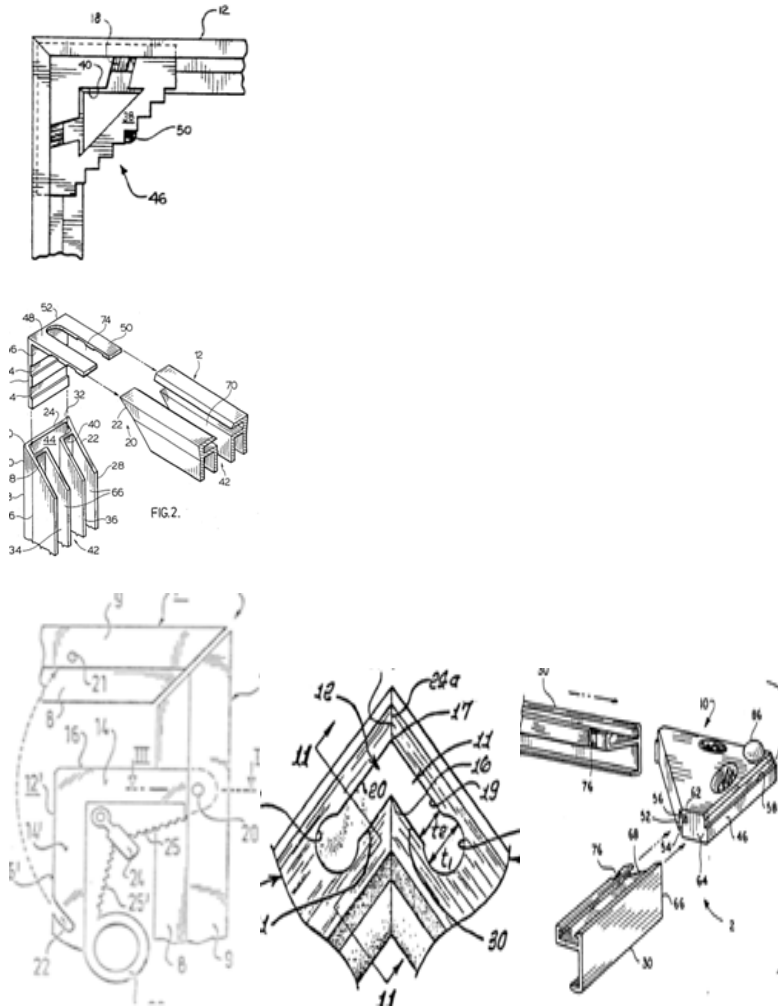
Corner clips or corner-connecting appliances which are:

- for connecting mitred picture frame members for insertion within,

Definition statement

- components separate from the mitred picture frame members,
- substantially L-shaped, each arm connected to a picture frame member,
- hidden when viewing the display side of the picture frame.

Examples:



**References**

**Informative references**

Attention is drawn to the following places, which may be of interest for search:

Corner mounts for frameless picture holders	<a href="#">A47G 1/0638</a>
Clamps for holding (mitred) frame members	<a href="#">B25B 5/142</a>
Corner-holding devices for photographs in albums	<a href="#">B42F 5/06</a>
Canvas stretching frames	<a href="#">B44D 3/185</a>
Corner filling pieces for plinths	<a href="#">E04F 19/0486</a>
Mitre joints for windows, doors or wings using separate connection pieces	<a href="#">E06B 3/9645</a>
Non-metal corner connections for furniture	<a href="#">F16B 12/46</a>
Metal corner connections for furniture	<a href="#">F16B 12/50</a>
having a corner insert inserted in mitred members	<a href="#">F16B 2012/505</a>

## A47G 1/102

{having an aperture to receive a fastener to connect to a frame member}

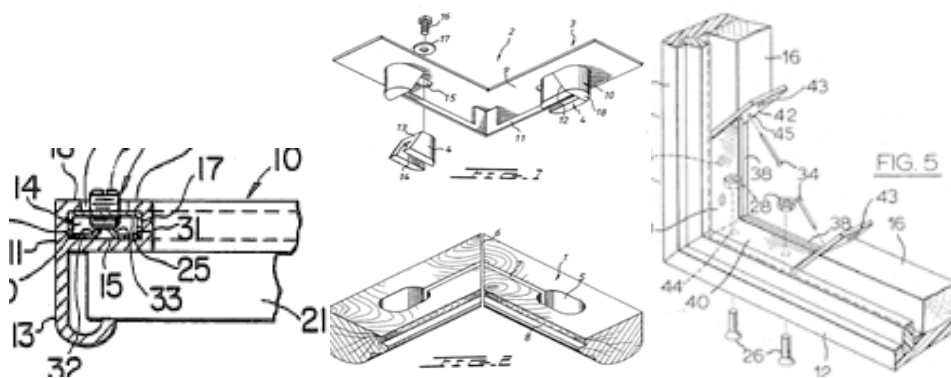
### Definition statement

*This place covers:*

Corner clips or corner-connecting appliances which are:

- for connecting mitred picture frame members for insertion within,
- components separate from the mitred picture frame members,
- substantially L-shaped, each arm connected to a picture frame member,
- hidden when viewing the display side of the picture frame,
- and having an aperture in an arm to receive a fastener, e.g. a screw, a nail, a movable expansion member, an eccentric, a wedge or the like, to connect to or frictionally engage a frame member.

Examples:



### References

#### Informative references

Attention is drawn to the following places, which may be of interest for search:

Canvas stretching frames	<a href="#">B44D 3/185</a>
Corner filling pieces for plinths	<a href="#">E04F 19/0486</a>
Mitre joints for windows, doors or wings using separate connection pieces	<a href="#">E06B 3/9645</a>
furniture having a corner insert inserted in mitred members	<a href="#">F16B 2012/505</a>

## A47G 1/14

### Photograph stands

#### Definition statement

*This place covers:*

Selfstanding picture frames e.g. picture cubes

Stands for pictures combined with other articles, desk organisers

## References

### Informative references

Attention is drawn to the following places, which may be of interest for search:

Stands of hingedly (vertical axis) interconnected picture frames	<a href="#">A47G 1/065</a>
Book-rests	<a href="#">A47B 23/00</a>
Easels for blackboards	<a href="#">A47B 97/04</a>
Supports for desk-type calendars or diaries	<a href="#">B42D 5/04</a>
Devices for holding books open	<a href="#">B42D 9/00</a>
Stands in general	<a href="#">F16M</a>
Stands for digital picture frames	<a href="#">G06F 3/14</a> , <a href="#">G09G 5/00</a>

## A47G 1/142

### {Supporting legs or feet}

#### Definition statement

*This place covers:*

supports for frames e.g. separate supporting legs or feet for picture frames, cards or the like

easels as integral part of the picture frame

#### References

##### Informative references

Attention is drawn to the following places, which may be of interest for search:

Frames, holders or supports for showcards	<a href="#">G09F</a>
---	----------------------

## A47G 1/143

### {Pivotable legs}

#### Definition statement

*This place covers:*

Details of easel hinges

Legs, feet or flaps pivotably connected to the picture frame (easels)

#### References

##### Informative references

Attention is drawn to the following places, which may be of interest for search:

Stands of hingedly (vertical axis) interconnected picture frames	<a href="#">A47G 1/065</a>
Hinges	<a href="#">E05D</a>



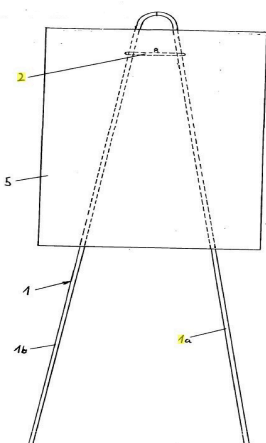
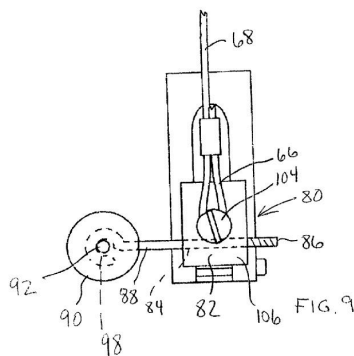
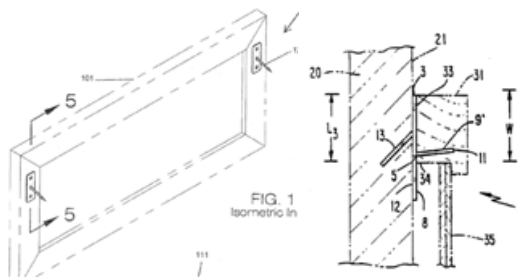
## A47G 1/16

### Devices for hanging or supporting pictures, mirrors, or the like

#### Definition statement

This place covers:

- Devices for hanging or supporting articles alike pictures and mirrors but not blackboards, maps, drawings
- Distance holders between picture and wall
- Devices to be fixed e.g. nailed to a picture having a prong/nail for mounting to a (gypsum) wall
- Carriers for pictures e.g. handles
- Transport cases/frames for pictures or framed pictures, e.g. travelling crates/boxes
- Devices for hanging paintings in a depot
- Protective covers for a suspended picture
- Supports on which picture stands
- Stand from which picture is suspended



## References

### Informative references

Attention is drawn to the following places, which may be of interest for search:

Picture frames comprising bubble levels	<a href="#">A47G 1/0616</a>
Devices for fastening household utensils to walls	<a href="#">A47G 29/087</a>
Fastening devices for Christmas tree decorations	<a href="#">A47G 33/10</a>
Loops, hooks, cords for suspending single sausages	<a href="#">A22C 15/002</a>
Wall mounting or suspension arrangements for blackboards or the like	<a href="#">A47B 97/001</a>
Devices for supporting maps, drawings or the like including means for preventing rolling-up	<a href="#">A47B 97/02</a>
Show hangers for pictures	<a href="#">A47F 7/14</a>
Show hangers for carpets (or quilts) in the form of flat shaped samples	<a href="#">A47F 7/163</a>
Curtain suspension devices	<a href="#">A47H 1/00</a>
Devices for fastening kitchen utensils to walls	<a href="#">A47J 45/02</a>
Grips, hooks, or the like for hanging-up towels	<a href="#">A47K 10/12</a>
Hanging of cleaning tools	<a href="#">A47L 13/51</a>
Storage means for workshops facilitating access to, or handling of, work, tools or instruments	<a href="#">B25H 3/00</a>
Devices for marking-out work (templates)	<a href="#">B25H 7/04</a>
Suspension devices for calendar blocks	<a href="#">B42D 5/046</a>
Paper-clips	<a href="#">B42F 1/02</a>
Thumb-tacks	<a href="#">B43M 15/00</a>
Mountings for producing special ornamental bodies for pictures; mountings of horns (hunting trophies) on plates	<a href="#">B44C 5/02</a>
Packaging containers	<a href="#">B65D</a>
Adjustable means for suspending the supporting construction of (false) ceilings	<a href="#">E04B 9/20</a>
Devices for supporting screens, monitors, etc	<a href="#">F16M 11/00</a>
Bubble levels	<a href="#">G01C 9/26</a>
Supports or holders for show-cards (photos) using suspension clamps	<a href="#">G09F 1/103</a>
Advertising boards and signs	<a href="#">G09F 7/00</a> , <a href="#">G09F 15/00</a>

## A47G 1/1606

{comprising a wall member cooperating with a corresponding picture member}

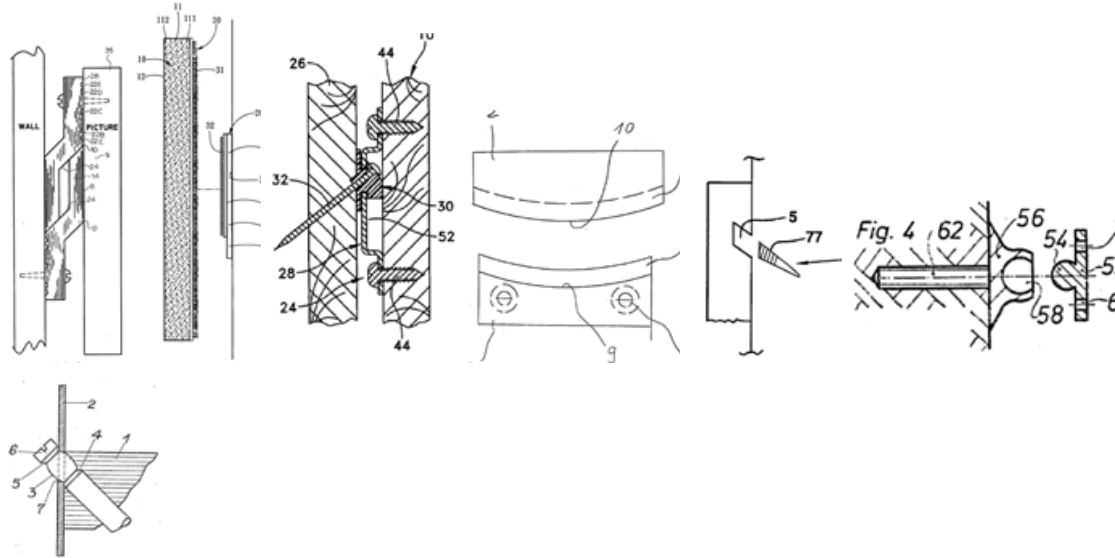
### Definition statement

*This place covers:*

Devices comprising a member to be fixed to a wall or the like surface and a member to be fixed to a picture, the shape of each member is specially adapted to the shape of the other, e.g. a male and a female member, hook-and-loop fastener. "Specially adapted" is to be interpreted as differing from the

Definition statement

conventional wall fasteners as nails, screws, etc. and the conventional picture fasteners as suspension cords, loops, eyes etc. The picture member might be an integral part of the picture (frame).



References

Informative references

Attention is drawn to the following places, which may be of interest for search:

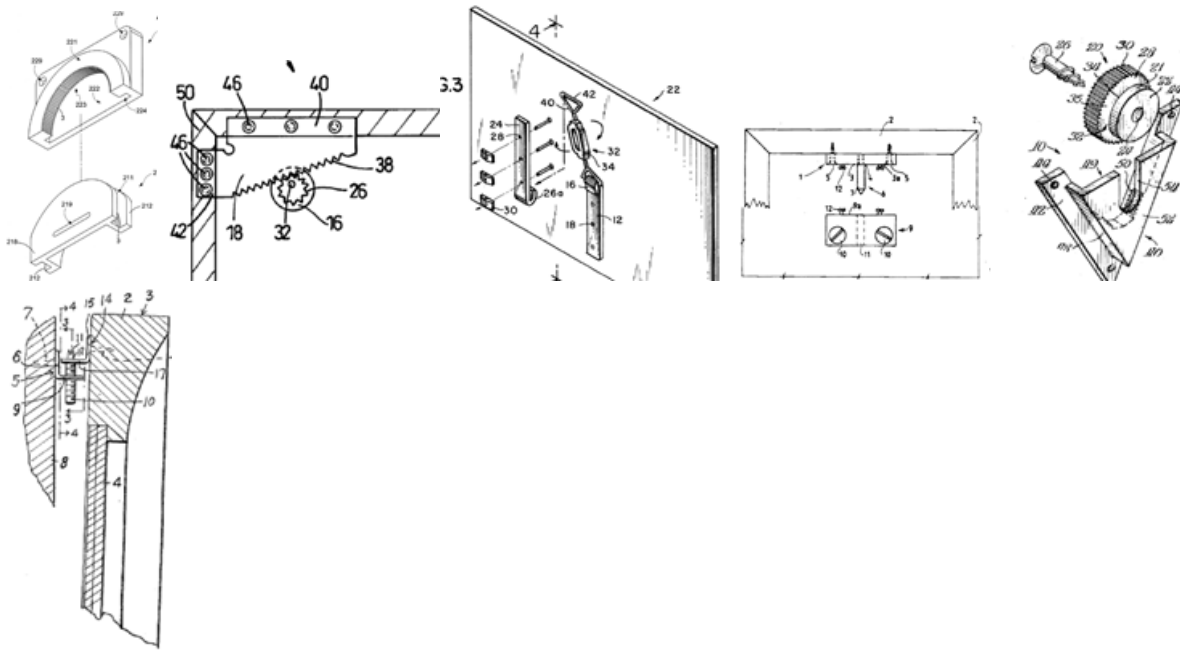
Eye bolts, ring-shaped fastenings (metal loops) for connecting a picture to a wall hook or nail	<a href="#">A47G 1/162</a>
Picture suspension wire loops; suspension wire arrangements	<a href="#">A47G 1/18</a>
Appliances for adjusting picture inclination	<a href="#">A47G 1/24</a>
Suspension fittings for (kitchen) cabinets to be hung on walls	<a href="#">A47B 95/008</a>
Devices for supporting bathroom accessories	<a href="#">A47K 1/08</a> , <a href="#">A47K 5/00</a> , <a href="#">A47K 10/00</a>
Clamping devices for hanging cleaning tools	<a href="#">A47L 13/512</a>
Storage means for workshops	<a href="#">B25H 3/00</a>
Screws, nails, eyes in general	<a href="#">F16B</a>
Devices for supporting screens, monitors, etc.	<a href="#">F16M 11/00</a>
Hanging or supporting displays and signs	<a href="#">G09F</a>

## A47G 1/1613

{and being adjustable}

### Definition statement

*This place covers:*



"Adjustable" refers to the devices, not the pictures, mirrors, or the like.

### References

#### Informative references

*Attention is drawn to the following places, which may be of interest for search:*

Appliances for adjusting picture inclination	<a href="#">A47G 1/24</a>
Suspension fittings for (kitchen) cabinets to be hung on walls	<a href="#">A47B 95/008</a>
Means for fastening cables to objects in general	<a href="#">F16G 11/00</a>
Devices for supporting screens, monitors, etc	<a href="#">F16M 11/00</a>

## A47G 1/162

{Picture members for connection to a conventional wall hook or nail}

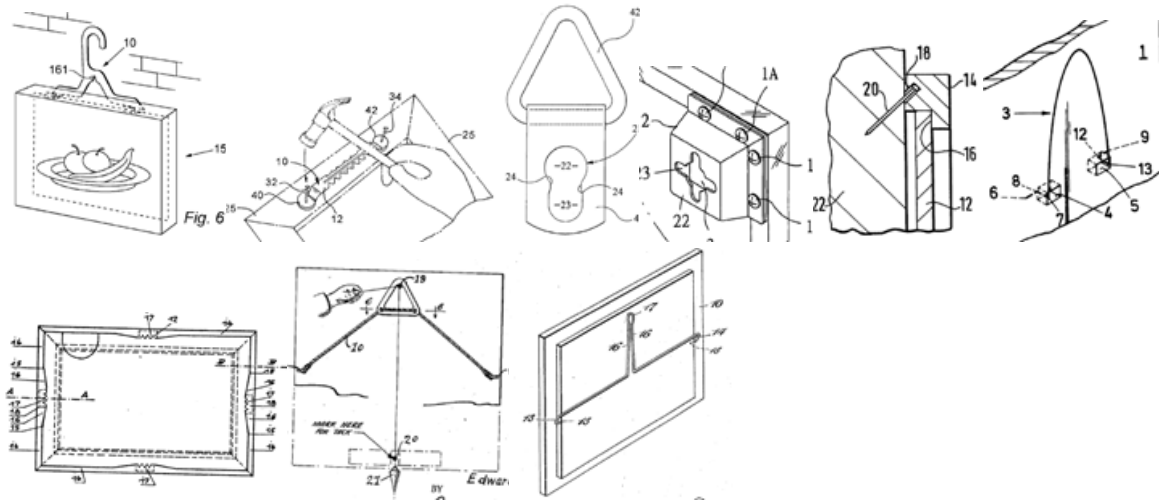
### Definition statement

*This place covers:*

Members to be fixed to a picture for connecting to a conventional wall fastener such as a nail, screw or the like. The member might be integrated in the picture (frame). A suspension cord and its

Definition statement

arrangement on the back of a picture is not considered to be such a member. For example: picture loops made of stiff wire, eye bolts, ring-shaped fastenings (metal wire loops).



References

Informative references

Attention is drawn to the following places, which may be of interest for search:

Ring-shaped fastenings, metal wire loops for connecting a suspension cord to picture	<a href="#">A47G 1/1666</a>
Picture suspension cord loops; picture suspension cords; suspension cord arrangements	<a href="#">A47G 1/18</a>
Appliances for adjusting picture inclination	<a href="#">A47G 1/24</a>
Suspension fittings for (kitchen) cabinets to be hung on walls	<a href="#">A47B 95/008</a>
Suspension devices for calendar blocks	<a href="#">B42D 5/046</a>

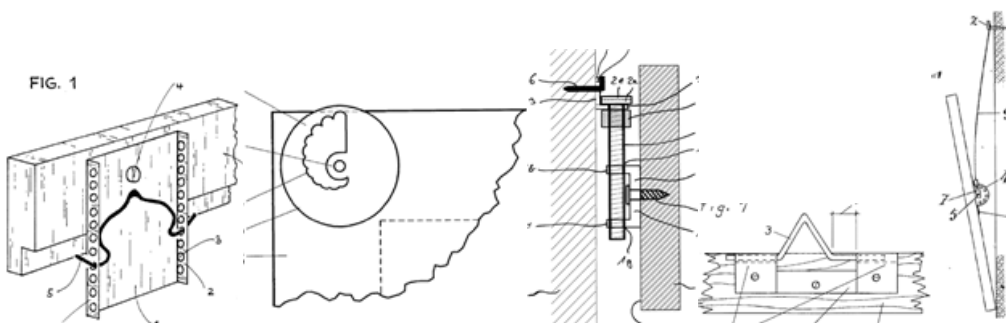
A47G 1/1626

{and being adjustable}

Definition statement

This place covers:

"Adjustable" refers to the picture member, not the picture.



**References**

**Informative references**

Attention is drawn to the following places, which may be of interest for search:

Ring-shaped fastenings, metal wire loops for connecting a suspension cord to picture	<a href="#">A47G 1/1666</a>
Picture suspension cord loops; picture suspension cords; suspension cord arrangements	<a href="#">A47G 1/18</a>
Appliances for adjusting picture inclination	<a href="#">A47G 1/24</a>
Suspension fittings for (kitchen) cabinets to be hung on walls	<a href="#">A47B 95/008</a>

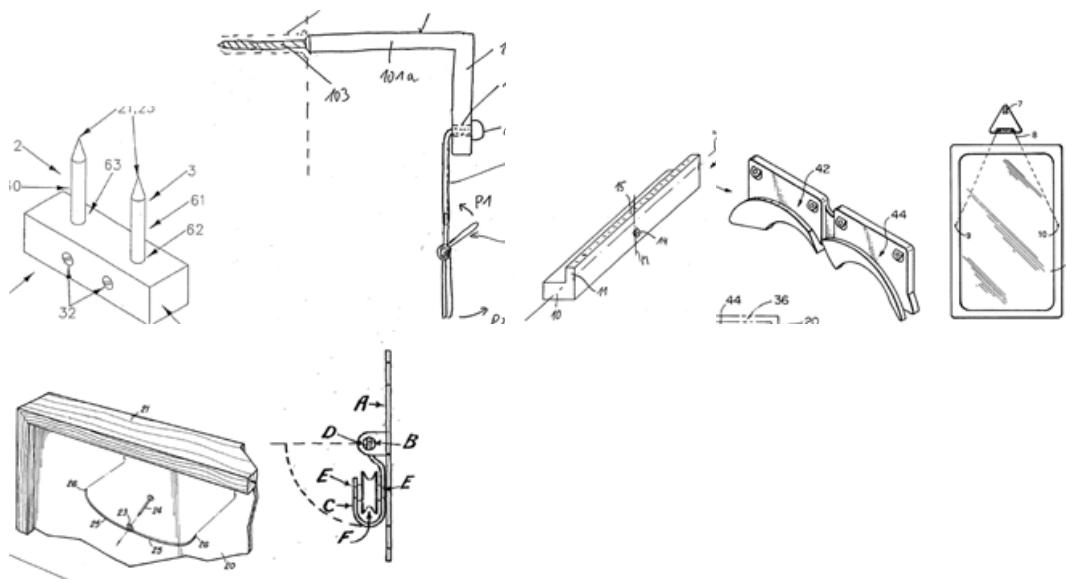
**A47G 1/1633**

**{Wall members for connection to a conventional picture}**

**Definition statement**

This place covers:

Members not being a hook, to be fixed to a wall for connecting to a conventional picture fastener such as a suspension cord, eye bolt or the like, or to a canvas stretching frame.



**References**

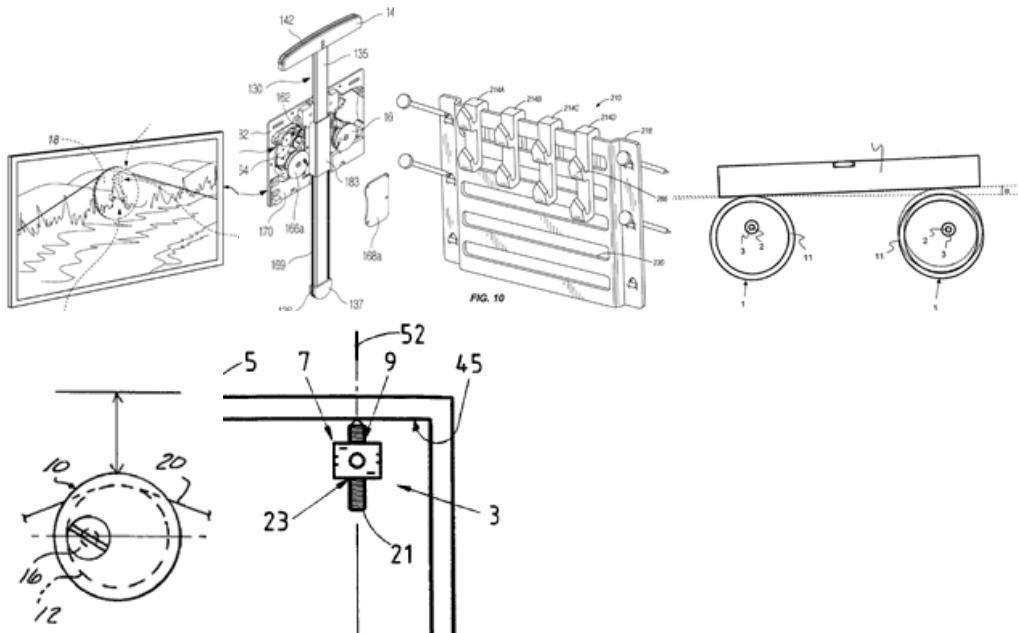
**Informative references**

Attention is drawn to the following places, which may be of interest for search:

Eye bolts, ring-shaped fastenings (metal loops) for connecting a picture to a wall hook or nail	<a href="#">A47G 1/162</a>
Picture hooks	<a href="#">A47G 1/20</a>
Appliances for adjusting picture inclination	<a href="#">A47G 1/24</a>
Devices for fastening in general: screws, bolts, hooks, eyes, nails, etc.	<a href="#">F16B</a>

**A47G 1/164****{and being adjustable}****Definition statement***This place covers:*

- "Adjustable" refers to the wall member, not the picture.
- Overlap with the adjustable picture hooks [A47G 1/202](#).

**References****Informative references***Attention is drawn to the following places, which may be of interest for search:*

Adjustable picture hooks	<a href="#">A47G 1/202</a>
Appliances for adjusting picture inclination	<a href="#">A47G 1/24</a>
Devices for fastening in general: screws, bolts, hooks, eyes, nails, etc.	<a href="#">F16B</a>

**A47G 1/1646****{for decorative plates}****Definition statement***This place covers:*

Holders, supports or hangers for one decorative plate

**References****Informative references***Attention is drawn to the following places, which may be of interest for search:*

For more than one plate	<a href="#">A47F 7/0064</a>
-------------------------	-----------------------------

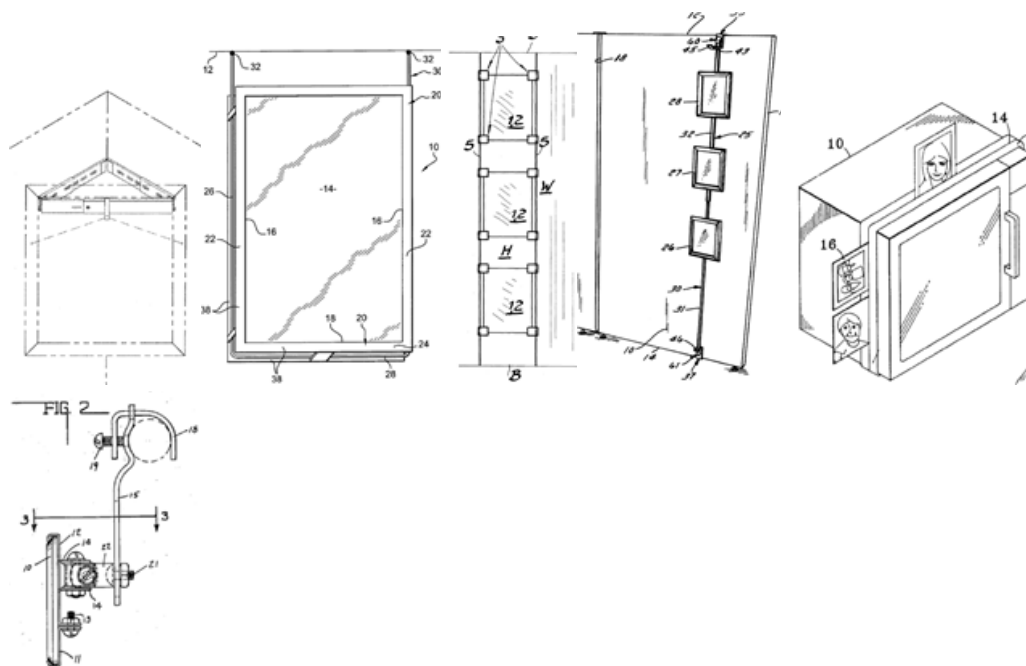
## A47G 1/1653

{for connecting to a surface other than a flat wall, e.g. room corner, ceiling, window}

### Definition statement

*This place covers:*

- Devices for attaching a picture to any other surface than a flat wall, e.g. room corner, ceiling, cable, pole, door, window, window sill, window shutter, sleeping bed, grille, shelf, appliance (monitor), wall switch, (wood) panelled wall/ceiling, etc. but not a picture rail
- Cable anchors for wall, ceiling, etc.
- Cables tensioned along a wall
- Cables between floor and ceiling



### References

#### Informative references

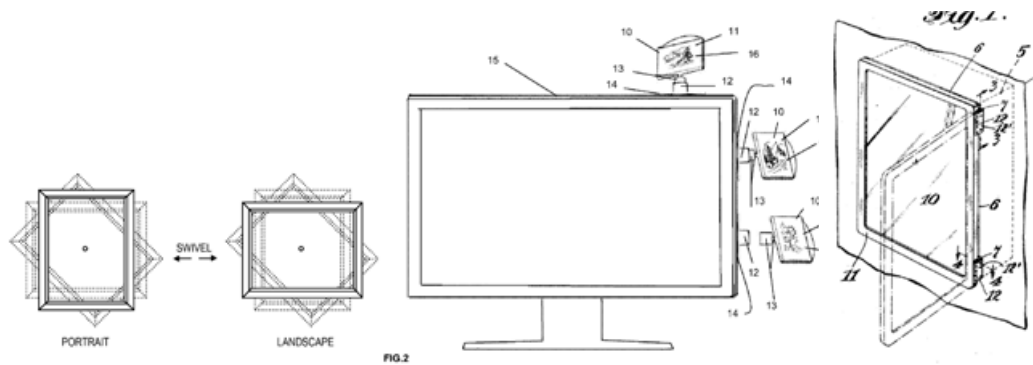
*Attention is drawn to the following places, which may be of interest for search:*

Devices for fixing a picture to cable or pole hanging from a picture rail	<a href="#">A47G 1/1686</a>
Picture hooks for mounting to a brick wall or wall paper	<a href="#">A47G 1/20</a>
Adjustable mirror supports for dressing tables	<a href="#">A47G 1/24</a>
Clothes hooks for mounting to a brick wall	<a href="#">A47G 25/0628</a>
Hooks for perforated boards/peg boards	<a href="#">A47F 5/0823</a>
Means for fastening cables to objects in general	<a href="#">F16G 11/00</a>
Devices for supporting screens, monitors, etc.	<a href="#">F16M 11/00</a>



**A47G 1/166****{for rotatably hanging or supporting}****Definition statement***This place covers:*

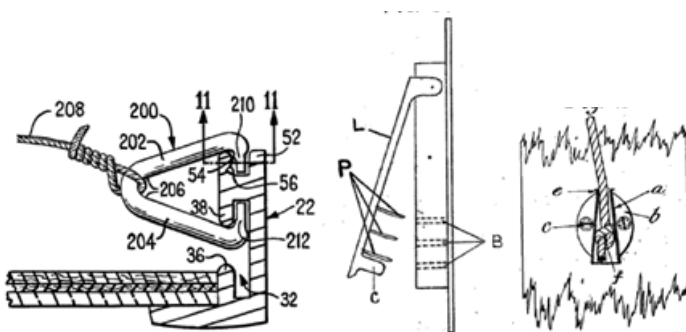
Devices for rotatably hanging or supporting a picture.

**References****Informative references***Attention is drawn to the following places, which may be of interest for search:*

Rotatable picture frames	<b>A47G1/06(B)</b>
Interconnected frames; frames having an image on front and back side	<a href="#">A47G 1/065</a>
Frontloading picture frames	<a href="#">A47G 2001/0666</a>
Appliances for adjusting picture inclination, adjustable mirror supports for dressing tables	<a href="#">A47G 1/24</a>
Devices for supporting screens, monitors, etc.	<a href="#">F16M 11/00</a>
Advertising boards and signs	<a href="#">G09F 7/00-</a> , <a href="#">G09F 15/00</a>

**A47G 1/1666****{Devices for connecting a suspension wire to a picture}****Definition statement***This place covers:*

Simple devices related to their attachment to the picture, not to the arrangement of the suspension wire.



## References

### Informative references

Attention is drawn to the following places, which may be of interest for search:

Picture frames using a tension wire for holding the members or corner pieces together	<a href="#">A47G 1/0644</a>
Eye bolts, ring-shaped fastenings (metal loops) for connecting a picture to a wall hook or nail	<a href="#">A47G 1/162</a>
Picture suspension wire loops; suspension wire arrangements	<a href="#">A47G 1/18</a>
Appliances for adjusting picture inclination	<a href="#">A47G 1/24</a>
Means for fastening cables to objects in general	<a href="#">F16G 11/00</a>

## A47G 1/17

using adhesives, suction or magnetism {([A47G 1/168](#) takes precedence; suction cups for attaching purposes, equivalent means using adhesives [F16B 47/00](#))}

## References

### Limiting references

This place does not cover:

Pads or the like preventing displacement of hanging pictures, mirrors, or the like	<a href="#">A47G 1/168</a>
--	----------------------------

### Informative references

Attention is drawn to the following places, which may be of interest for search:

Suction cups for attaching purposes, equivalent means using adhesives	<a href="#">F16B 47/00</a>
---	----------------------------

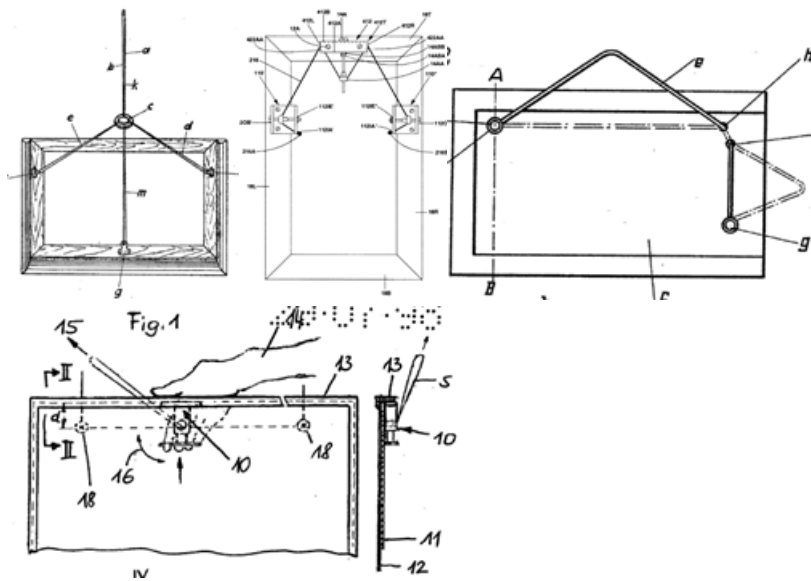
## A47G 1/18

### Picture loops or the like

#### Definition statement

This place covers:

- Picture suspension cords, chains
- Arrangement of suspension cords on a picture
- Adjustable suspension cords
- Picture loops made of cord



## References

### Informative references

Attention is drawn to the following places, which may be of interest for search:

Picture frames using a tension wire for holding the members or corner pieces together	<a href="#">A47G 1/0644</a>
Picture loops made of stiff wire; Eye bolts; Ring-shaped fastenings (metal wire loops) for connecting a picture to a wall hook or nail	<a href="#">A47G 1/162</a>
Devices for connecting a suspension cord to a picture	<a href="#">A47G 1/1666</a>
Appliances for adjusting picture inclination	<a href="#">A47G 1/24</a>
Means for fastening cables to objects in general	<a href="#">F16G 11/00</a>

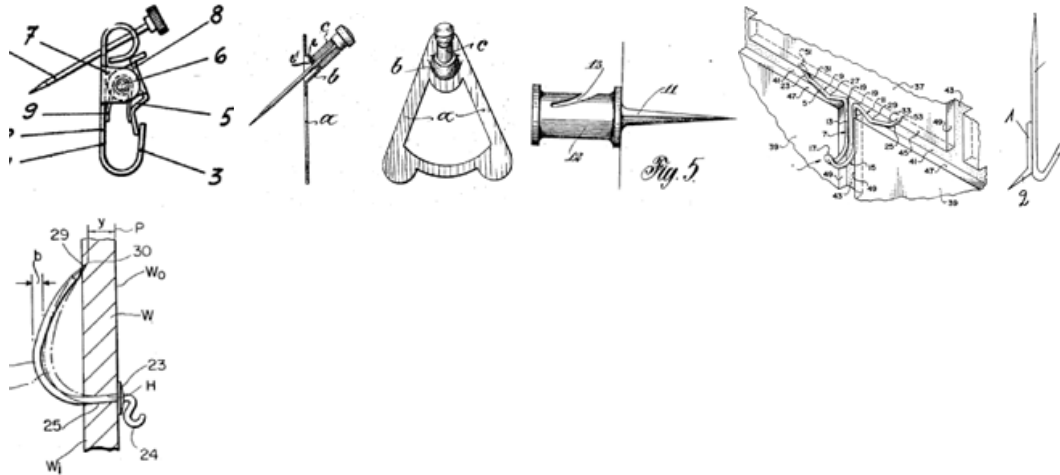
## A47G 1/20

Picture hooks; X-hooks (plugs or hooks for general use [F16B 13/00](#), [F16B 45/00](#))

### Definition statement

*This place covers:*

Picture hooks to be fixed to a wall



### References

#### Informative references

Attention is drawn to the following places, which may be of interest for search:

Devices to be fixed to a picture having a prong/nail for mounting to a (gypsum) wall	<a href="#">A47G 1/16</a>
Wall members for connection to a conventional picture or canvas frame	<a href="#">A47G 1/1633</a>
Hooks to be attached to a picture rail or to a wire hanging from a picture rail	<a href="#">A47G 1/1686</a>
Picture hooks attachable by using adhesive, suction or magnetism	<a href="#">A47G 1/17</a>
Clothes hooks	<a href="#">A47G 25/0607</a>
Hooks for suspending single sausages	<a href="#">A22C 15/002</a>
Wall mounting or suspension arrangements for blackboards, maps, drawings	<a href="#">A47B 97/00</a>
Hooks for perforated boards/peg boards	<a href="#">A47F 5/0823</a>
Hooks for hanging-up towels	<a href="#">A47K 10/12</a>
Hanging of cleaning tools	<a href="#">A47L 13/51</a>
Storage means for workshops facilitating access to, or handling of, work, tools or instruments	<a href="#">B25H 3/00</a>
Hooks in general	<a href="#">F16B 45/00</a>

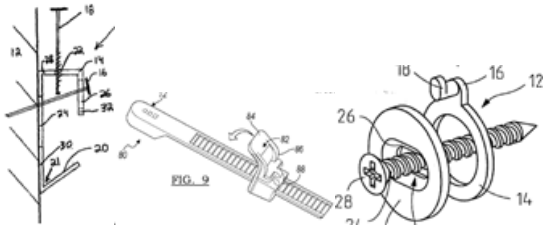
## A47G 1/202

{adjustable}

### Definition statement

*This place covers:*

Adjustable picture hooks to be fixed to a wall



### References

#### Informative references

Attention is drawn to the following places, which may be of interest for search:

Adjustable wall members for connection to a conventional picture or canvas frame	<a href="#">A47G 1/164</a>
Adjustable hooks to be attached to a picture rail or to a wire hanging from a picture rail	<a href="#">A47G 1/1686</a>
Adjustable wall mounting or suspension arrangements for blackboards, maps, drawings	<a href="#">A47B 97/00</a>

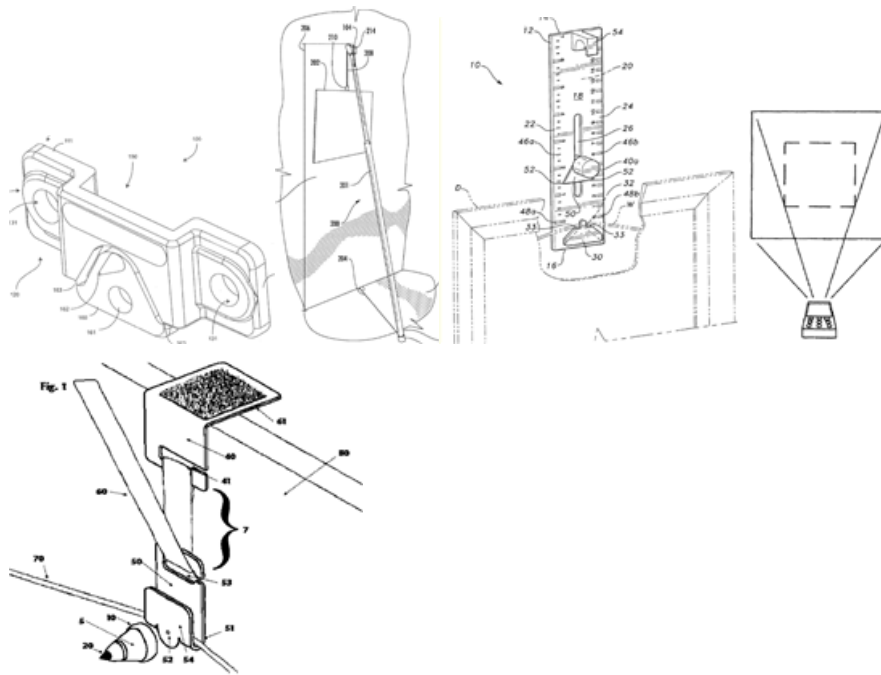
## A47G 1/205

{Devices for positioning picture hooks on a wall}

### Definition statement

*This place covers:*

- Devices for marking where to drill in the wall
- Positioning devices for temporarily holding a picture in front of a wall
- Templates



**References**

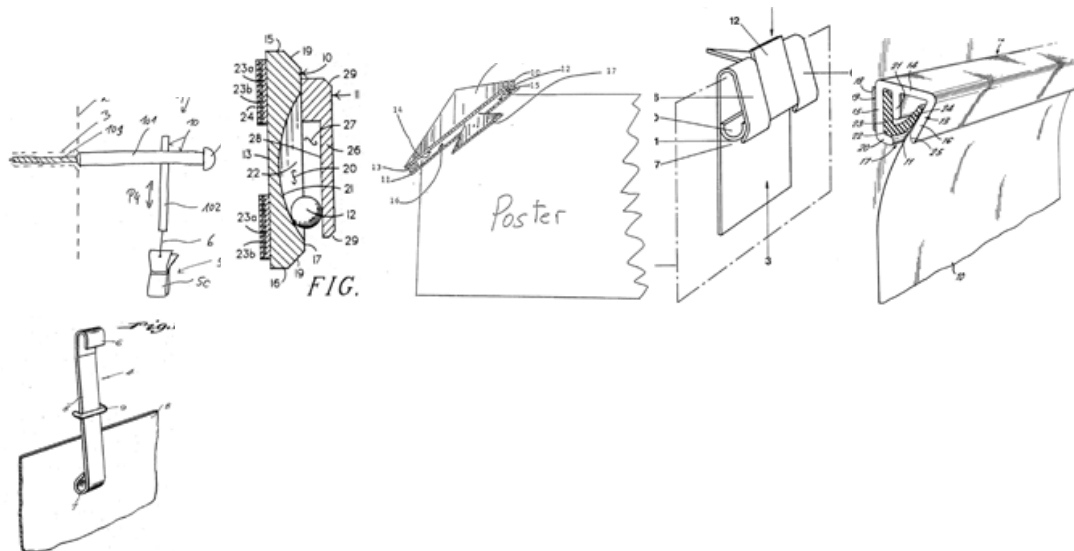
**Informative references**

Attention is drawn to the following places, which may be of interest for search:

Picture frames comprising bubble levels	<a href="#">A47G 1/0616</a>
Devices for marking-out work (templates)	<a href="#">B25H 7/04</a>
Bubble levels	<a href="#">G01C 9/26</a>

**A47G 1/21**with clamping action (in general [F16B 2/00](#))**Definition statement***This place covers:*

Devices for hanging or supporting articles alike pictures and mirrors but not blackboards, maps, drawings

**References****Informative references***Attention is drawn to the following places, which may be of interest for search:*

Devices for suspending handbags from tables, chairs or the like	<a href="#">A47G 29/083</a>
Show hangers for carpets, wall paper, textile materials in the form of flat shaped samples	<a href="#">A47F 7/163</a>
Grips, hooks, or the like for hanging-up towels	<a href="#">A47K 10/12</a>
Clamping devices for hanging cleaning tools	<a href="#">A47L 13/512</a>
Storage means for workshops facilitating access to, or handling of, work, tools or instruments	<a href="#">B25H 3/00</a>
Paper-clips	<a href="#">B42F 1/02</a>
Suspended filing appliances for hanging a single large drawing or the like e.g. with self-locking means	<a href="#">B42F 15/066</a>
Clothes-pegs	<a href="#">D06F 55/00</a>
Hooks with clamping action in general	<a href="#">F16B 2/00</a>
Supports or holders for show-cards (photos) using suspension clamps	<a href="#">G09F 1/103</a>

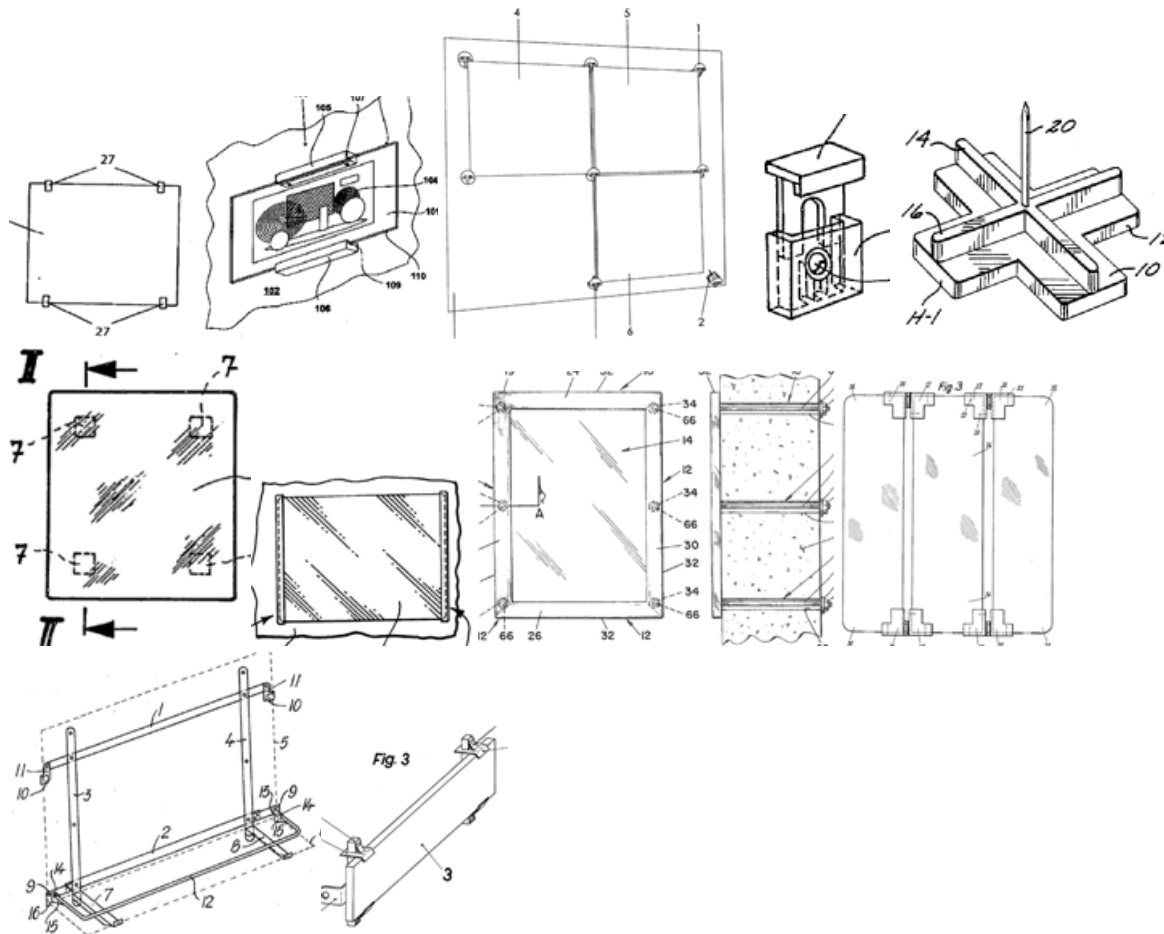
## A47G 1/215

### {Mirror clamps}

#### Definition statement

*This place covers:*

All kinds of clamps for fixing a mirror or alike frameless panel to a wall. Clamp parts might fix a mirror in any direction (e.g. top to bottom, front to back, both) with or without a compressing force (pressing or holding).



#### References

##### Informative references

*Attention is drawn to the following places, which may be of interest for search:*

Frameless picture holders	<a href="#">A47G 1/0638</a>
Devices for hanging or supporting decorative plates	<a href="#">A47G 1/1646</a>
Clamps for glass plates of show cases	<a href="#">A47F 3/12</a>
Supports or holders for show-cards (photos) using suspension clamps	<a href="#">G09F 1/103</a>



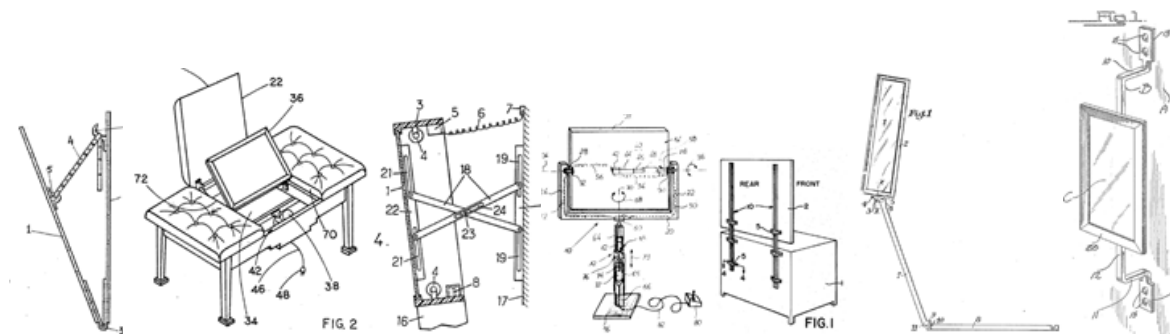
## A47G 1/24

Appliances for adjusting pictures, mirrors, or the like, into a desired position, especially inclined {(A47G 1/1646 - A47G 1/22 take precedence)}

### Definition statement

*This place covers:*

- Appliances to support or suspend a picture or a mirror at different positions, rather than to adjust to a single position
- Appliances for the suspension at different inclinations of a picture or a mirror
- Appliances for the suspension at different heights of a picture or mirror
- Appliances for the suspension at different distances to the wall (depths) of a picture or a mirror
- Dressing tables, bathroom cabinets or the like provided with a mirror which position is adjustable (tilt, height, depth). Mirror supports therefor.
- Movable standing mirrors, mirror stands



### References

#### Informative references

Attention is drawn to the following places, which may be of interest for search:

Mirror cabinets; Dressing tables	<a href="#">A47B 67/005</a>
Adjustable rear view mirrors	<a href="#">B60R 1/00</a>
Stands or trestles as support for apparatus or articles placed thereon	<a href="#">F16M 11/00</a>
Other supports for positioning apparatus or articles	<a href="#">F16M 13/00</a>
Mountings, adjusting means for mirrors as optical elements comprising means for manually aligning the optical axis	<a href="#">G02B 7/1824</a>

### Special rules of classification

[A47G 1/1646](#) - [A47G 1/22](#) take precedence.

## A47G 3/00

Removable ornamental heads for nails, screws, or the like (specially-shaped, non-removable heads for nails [F16B 15/02](#), for screws [F16B 23/00](#))

### References

#### Informative references

Attention is drawn to the following places, which may be of interest for search:

Specially-shaped, non-removable heads for nails	<a href="#">F16B 15/02</a>
For screws	<a href="#">F16B 23/00</a>
Cap nuts, nut caps or bolt caps	<a href="#">F16B 43/00</a>

## A47G 5/00

Screens (shutters closing an opening [E06B 9/02](#); fly-screens [E06B 9/52](#));  
Draught-deflectors

### Definition statement

*This place covers:*

Paravents

Screens between hospital beds

### References

#### Informative references

Attention is drawn to the following places, which may be of interest for search:

Traffic accident screens	<a href="#">E01F 13/02</a>
Movable room/office partitions	<a href="#">E04B 2/74</a>
Beach sun screens	<a href="#">E04H 15/00</a>
Screens for windows e.g. roller blinds	<a href="#">E06B 9/00</a>
Shutters closing an opening	<a href="#">E06B 9/02</a>
Fly-screens	<a href="#">E06B 9/52</a>
Heat reflecting screens for radiators	<a href="#">F24D 19/062</a>

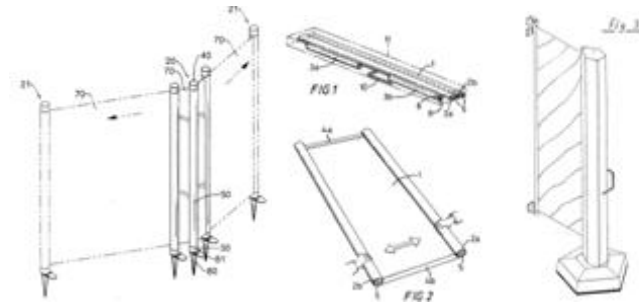
## A47G 5/02

### Roll-up screens

#### Definition statement

*This place covers:*

Illustrative example of subject matter classified in this group.



## A47G 7/00

### Flower holders or the like

#### References

##### Informative references

*Attention is drawn to the following places, which may be of interest for search:*

for home use	<a href="#">A47G</a>
Neighbouring field for industrial use	<a href="#">A01G</a>
Packaging flower pots	<a href="#">B65B 25/026</a>
Flower packages	<a href="#">B65D 85/505</a>

## A47G 7/02

**Devices for supporting flower-pots or cut flowers (flower-pots, holders for flower-pots in greenhouses [A01G](#))**

#### References

##### Informative references

*Attention is drawn to the following places, which may be of interest for search:*

Flower-pots, holders for flower-pots in greenhouses	<a href="#">A01G</a>
---	----------------------

## A47G 7/04

Flower tables; Stands or hangers, e.g. baskets, for flowers (stands for use during growing of flowers [A01G](#); flower holders worn on garments [A45F 5/08](#))

### References

#### Informative references

Attention is drawn to the following places, which may be of interest for search:

Stands for use during growing of flowers	<a href="#">A01G</a>
Flower holders worn on garments	<a href="#">A45F 5/08</a>

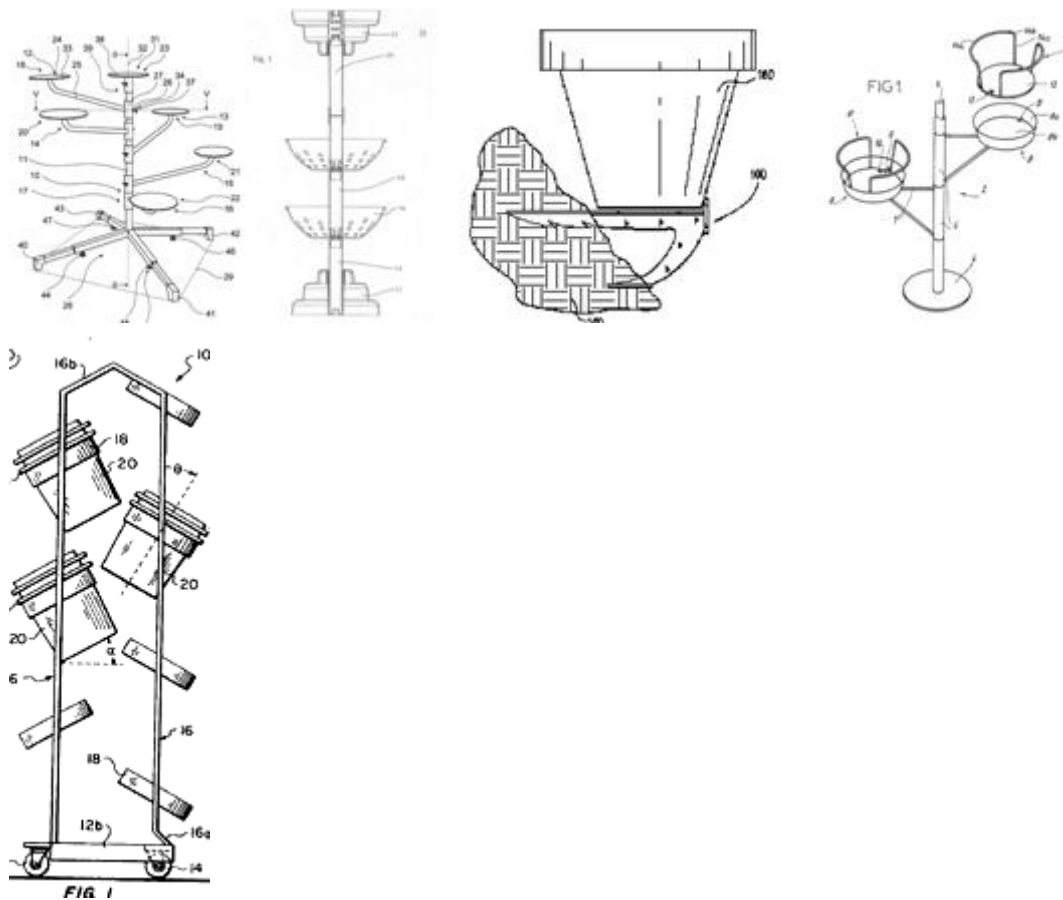
## A47G 7/041

{Flower tables or stands}

### Definition statement

This place covers:

Stands with wheels also



## A47G 7/044

{Hanging flower-pot holders, e.g. mounted on walls, balcony fences or the like (on windows or doors [A47H 27/00](#))}

### Definition statement

*This place covers:*

Hanging flower boxes for balcony fences are borderline with [A01G 9/00](#), if the plant is directly in the box then [A01G](#), if a flower pot is in the box then here, if in doubt then here and eventually [A01G](#), most are here.

### References

#### Informative references

Attention is drawn to the following places, which may be of interest for search:

On windows or doors	<a href="#">A47H 27/00</a>
---------------------	----------------------------

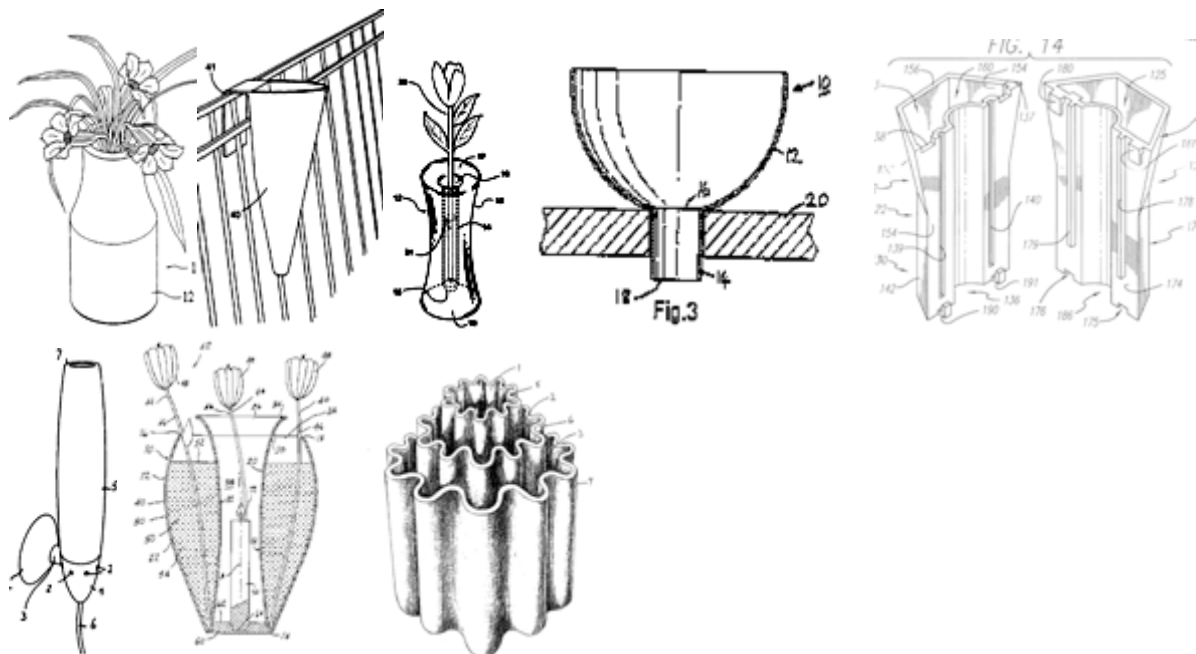
## A47G 7/06

### Flower vases

### Definition statement

*This place covers:*

Illustrative example of subject matter classified in this group.





**A47G 9/00**

**Bed-covers; Counterpanes; Travelling rugs; Sleeping rugs; Sleeping bags; Pillows {(loose filling materials for bedding [B68G 1/00](#))}**

**References****Informative references**

Attention is drawn to the following places, which may be of interest for search:

When sleeping bag like also	<a href="#">A47G 9/08</a>
Horse blankets	<a href="#">A01K</a>
Swaddling cloths or blankets for babies	<a href="#">A41B 13/06</a>
Mattress protectors, anti-bedwetting covers, draw sheets, alèse	<a href="#">A47C 21/06</a>
Mattress tickings and mattress covers	<a href="#">A47C 27/002</a>
Towels and towel racks	<a href="#">A47K 10/00</a>
Drying cloths for dishes	<a href="#">A47L 19/00</a>
Fire blankets	<a href="#">A62C</a>
Loose filling materials for bedding	<a href="#">B68G 1/00</a>
Discharging static electricity	<a href="#">H05F 3/00</a>
Shields against electric or magnetic fields	<a href="#">H05K 9/00</a>

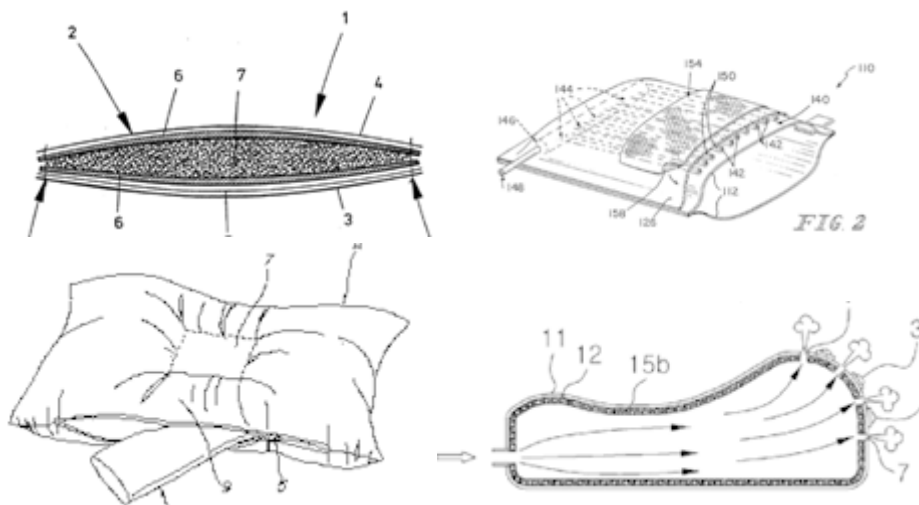
**A47G 9/007**

**{comprising deodorising, fragrance releasing, therapeutic or disinfecting substances}**

**Definition statement**

*This place covers:*

Illustrative example of subject matter classified in this group.



**A47G 9/02****Bed linen; Blankets; Counterpanes****Definition statement**

*This place covers:*

Combinations of sheets, blankets/quilts, pillow covers, etc. using more than one item e.g. 'garniture de lit', 'ensemble de literie', combination of pillow cover and sheet, combination of upper and lower sheet, etc.

**References****Application-oriented references**

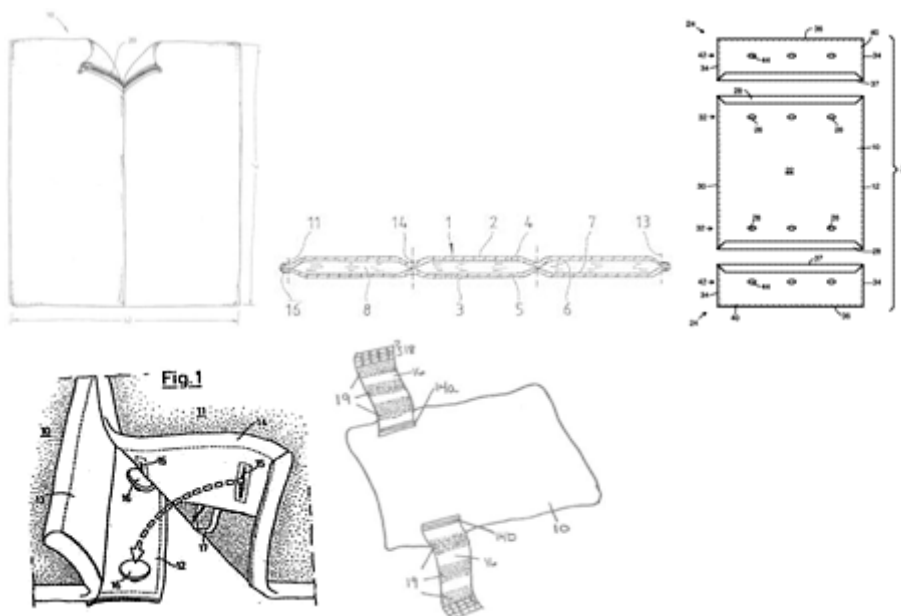
*Examples of places where the subject matter of this place is covered when specially adapted, used for a particular purpose, or incorporated in a larger system:*

Sheets specially adapted for use as or with stretchers for patients or disabled persons	<a href="#">A61G 1/01</a>
---	---------------------------

**A47G 9/0207****{Blankets; Duvets}****Definition statement**

*This place covers:*

Illustrative example of subject matter classified in this group.

**References****Informative references**

*Attention is drawn to the following places, which may be of interest for search:*

Fillings for duvets	<a href="#">B68G 1/00</a> , <a href="#">B68G 2001/005</a>
---------------------	--



**A47G 9/0215****{with cooling or heating means (electric blankets [H05B 3/34](#))}****References*****Informative references****Attention is drawn to the following places, which may be of interest for search:*

Electric blankets	<a href="#">H05B 3/34</a>
-------------------	---------------------------

**A47G 9/0223****{Blankets}****Definition statement***This place covers:*

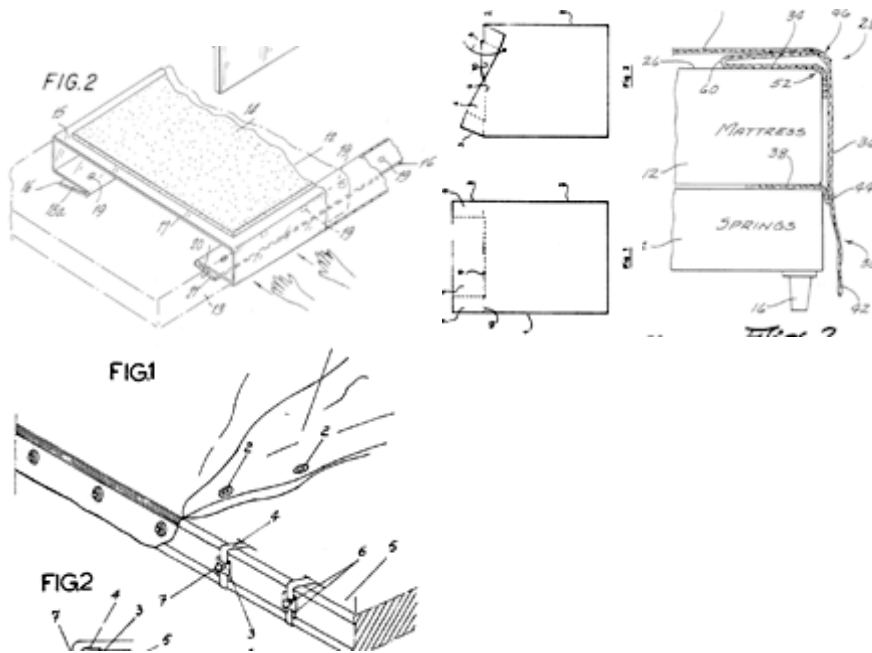
Heat insulating sleeping covers for a bed, not stuffed.

**References*****Informative references****Attention is drawn to the following places, which may be of interest for search:*

Stuffed blankets	<a href="#">A47G 9/0207</a>
Beach blankets	<a href="#">A47G 9/062</a>
Horse blankets	<a href="#">A01K 13/008</a>
Patient restraining blankets	<a href="#">A61F 5/3776</a>
Medical heating or cooling blankets	<a href="#">A61F 7/0097</a>
Patient transfer blankets	<a href="#">A61G 7/1026</a>
Fire fighting blankets	<a href="#">A62C 8/06</a>

**A47G 9/0238****{Bed linen}****Definition statement***This place covers:*

Illustrative example of subject matter classified in this group.

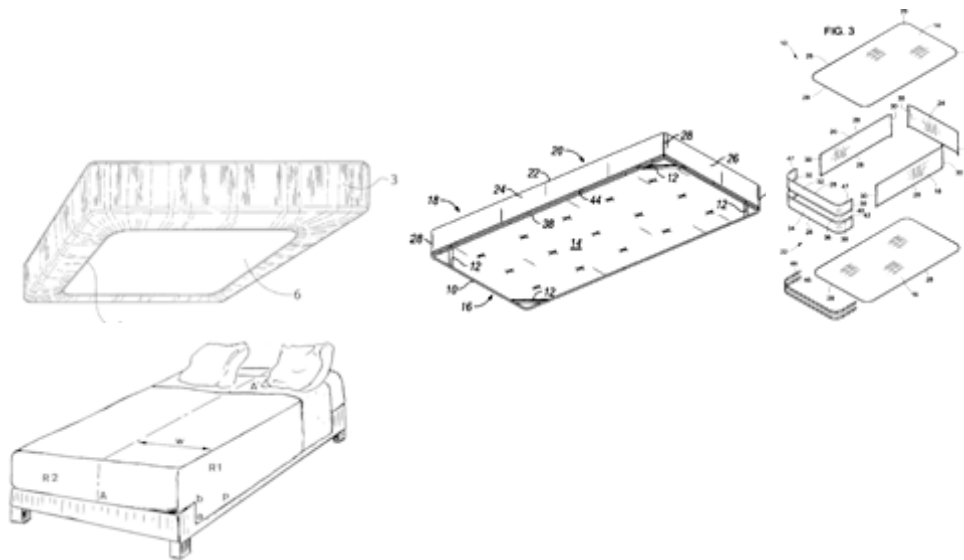
**References****Informative references***Attention is drawn to the following places, which may be of interest for search:*

Sheets specially adapted for use with stretchers for patients

[A61G 1/01](#)

**A47G 9/0246****{Fitted sheets (loose furniture covers [A47C 31/10](#))}****Definition statement***This place covers:*

Illustrative example of subject matter classified in this group.

**References****Informative references***Attention is drawn to the following places, which may be of interest for search:*

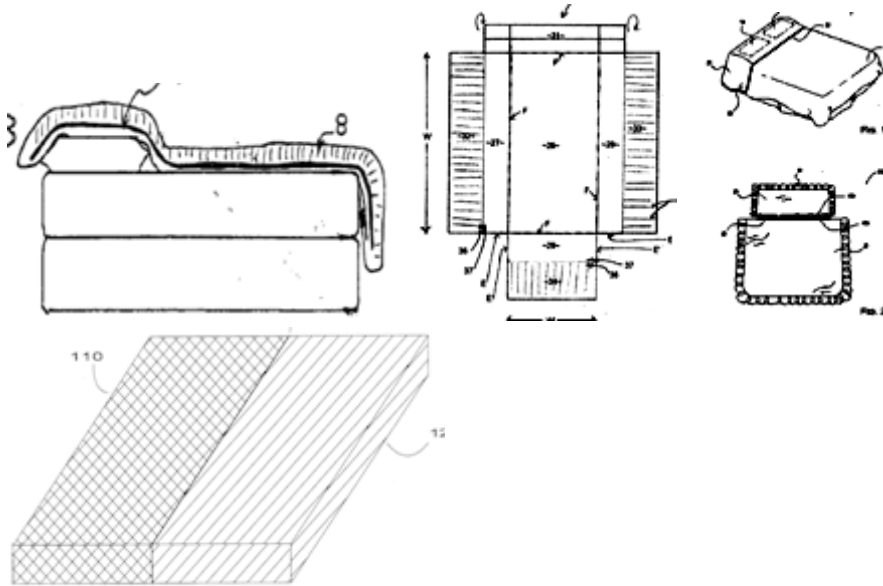
Loose furniture covers	<a href="#">A47C 31/10</a>
------------------------	----------------------------

## A47G 9/0284

{Counterpanes}

### Definition statement

*This place covers:*



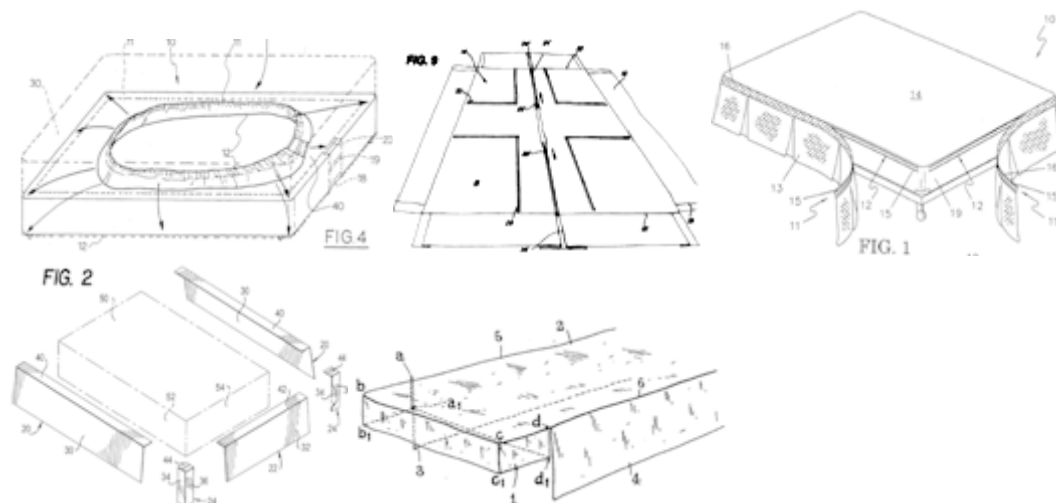
## A47G 9/0292

{Bed skirts, valances or dust ruffles ([A47G 9/0284](#) takes precedence)}

### Definition statement

*This place covers:*

Illustrative example of subject matter classified in this group.



**References**

**Limiting references**

*This place does not cover:*

Counterpanes	<a href="#">A47G 9/0284</a>
--------------	-----------------------------

**A47G 9/04**

with fastening strips (haberdashery in general [A44B](#))

**References**

**Informative references**

*Attention is drawn to the following places, which may be of interest for search:*

Haberdashery in general	<a href="#">A44B</a>
Restraining blankets or jackets for attaching a patient's body to a bed	<a href="#">A61F 5/3769</a>

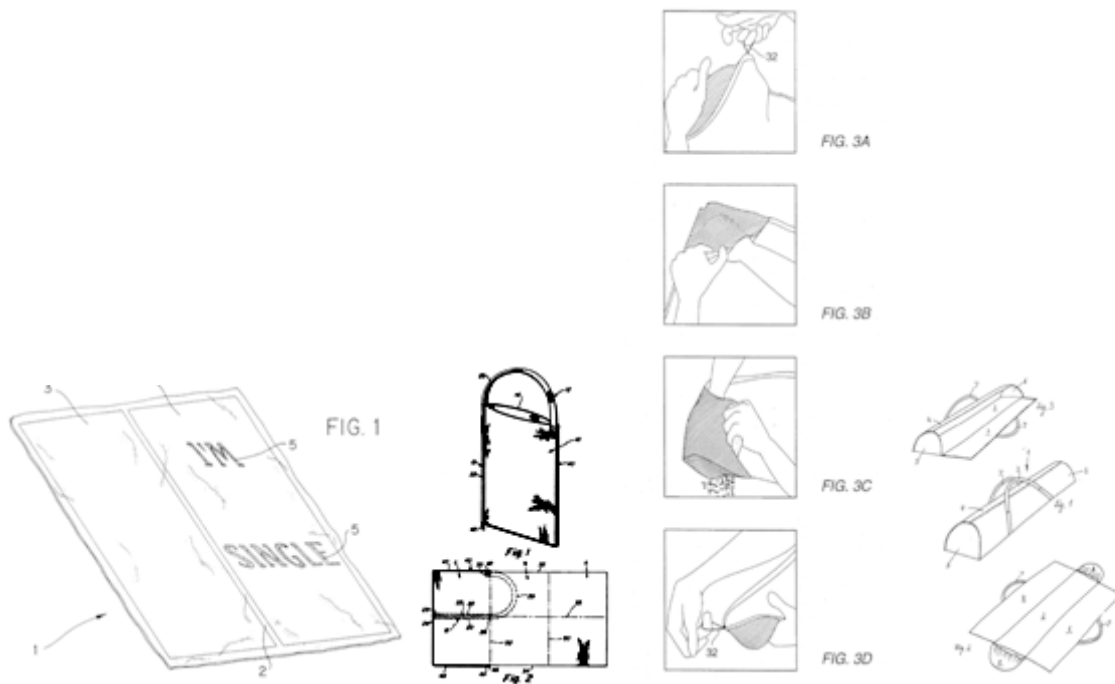
**A47G 9/06**

Travelling rugs; Sleeping rugs

**Definition statement**

*This place covers:*

Illustrative example of subject matter classified in this group.



## A47G 9/062

{for covering the ground, e.g. picnic or beach blankets}

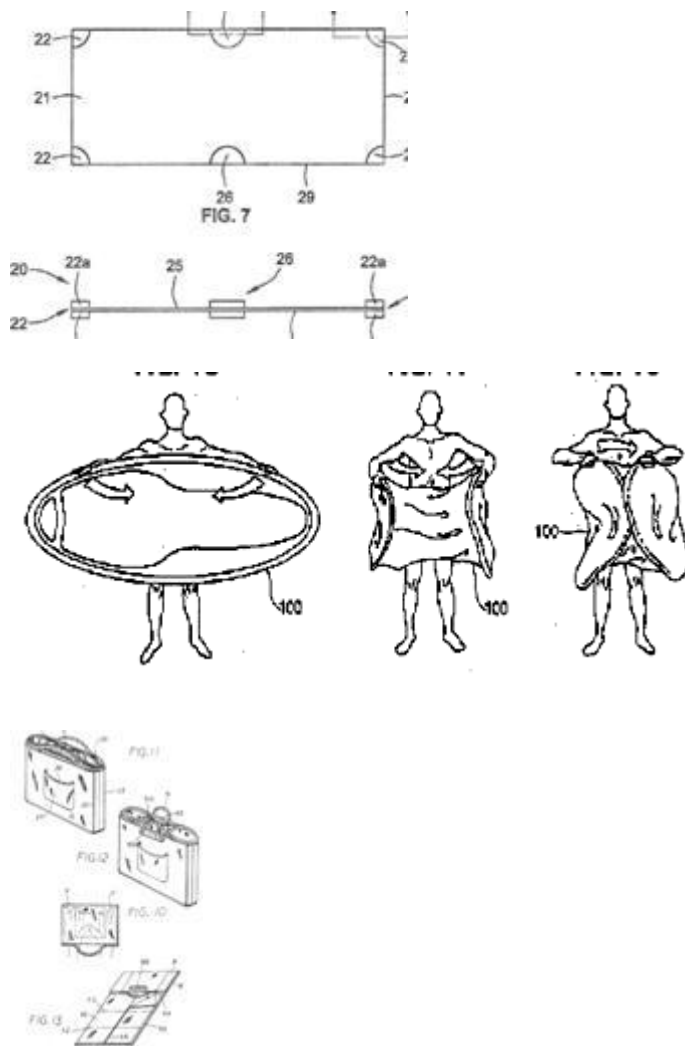
### Definition statement

*This place covers:*

Travelling rugs, - mats, - blankets, - towels for covering the ground, e.g. beach towels, picnic blankets

aspects thereof e.g. insulating from ground, water repellency, comprising sunshade, windscreen, pillow, carrying bag, reflecting surface, means to prevent blowing away, etc.

1.1.1.



### References

#### Informative references

Attention is drawn to the following places, which may be of interest for search:

Blanket-pillow combinations	<a href="#">A47G 9/023</a>
Sleeping bags with pillow	<a href="#">A47G 9/08</a>
Picnic table covers	<a href="#">A47G 11/003</a>
Rugs for wet indoor spaces	<a href="#">A47G 27/0225</a>

Beach bags, carriers for rolled towels	<a href="#">A45C 3/10</a>
Seat like supports for on the beach	<a href="#">A47C 9/10</a>
Chair cushions	<a href="#">A47C 27/00</a> , <a href="#">A47C 27/001</a>
Lounge chair covers	<a href="#">A47C 27/14</a>
Playmats for children	<a href="#">A47D 7/00</a>
Towels	<a href="#">A47K 10/02</a>
Reflecting radiation therapy for bronzage	<a href="#">A61N 5/0614</a>
Playmates for adults	<a href="#">A63H 3/00</a>
Covering cloths for drying concrete	<a href="#">E04G 21/28</a>
Pegs for fixing beach towel to the sand	<a href="#">E04H 15/62</a>

## **A47G 9/08**

### **Sleeping bags**

#### **Definition statement**

*This place covers:*

- sleeping bags for use on a bed (indoor) e.g. for fixing a patient to the bed (see also [A61F 5/3776](#); for fixing a child -[A47G 9/083](#)),
- thin, low insulation sleeping bags,
- upper- lower sheet combinations eventually with pillow slip for use on a hotel bed for hygienic reasons (see also -[A47G 9/02](#)),
- sleeping bags for use on a sofa, in train couchette,
- foot bags.

#### **References**

##### **Informative references**

*Attention is drawn to the following places, which may be of interest for search:*

Upper - lower sheet combinations eventually with pillow slip for general use	<a href="#">A47G 9/02</a>
Arrangement of insulating layers of duvets or sleeping bags	<a href="#">A47G 9/0207</a>
For perambulators	<a href="#">A47G 9/068</a>
Sleeping bag liners	<a href="#">A47G 9/086</a>
Mattresses for sleeping bags	<a href="#">A47C 27/00</a>
Loose filling materials	<a href="#">B68G 1/00</a> , <a href="#">B68G 2001/005</a>

## **A47G 9/083**

**{for babies and infants}**

#### **Definition statement**

*This place covers:*

- bunting bags with shoulder straps (trappelzak, Strampelsack)

## Definition statement

- play mat and sleeping bag combinations, e.g. with stowing pocket (pillow slip) and/or carrying straps,
- length adjustable sleeping bags,
- sleeping bags with funny design, e.g. animal, chess board, dolls for storing, book, - sleeping bags fixable to the bed.
- sleeping bags fixable to the bed.

## References

### Informative references

Attention is drawn to the following places, which may be of interest for search:

slip-in bags, swaddling clothes. Contains many bunting bags (serious overlap);	<a href="#">A41B 13/06</a>
restraining devices, e.g. body harnesses, for children in beds;	<a href="#">A47D 15/008</a>
idem for (adult) patients.	<a href="#">A61F 5/3784</a>

## A47G 9/086

{for outdoor sleeping}

### Definition statement

*This place covers:*

sleeping bags for travelling or camping, e.g.:

- mummy bags,
- twin sleeping bags,
- rescue (body) bags,
- variable insulation sleeping bags,
- sleeping bags including a (air) mattress,
- length/width adjustable sleeping bags,
- disposable (paper) sleeping bags,
- sleeping bags convertible to clothing,
- sleeping bag for a dog (US 3 842 454 A);

details concerning insulating materials, cold bridge prevention, etc.;

accessories for sleeping bags, for example:

- devices for stowing or rolling up,
- sheet liners,
- hoods, roofs, hammocks.

## References

### Limiting references

*This place does not cover:*

sleeping bags for babies and infants	<a href="#">A47G 9/083</a>
--------------------------------------	----------------------------



**Informative references**

Attention is drawn to the following places, which may be of interest for search:

Travelling or camp equipment,	<a href="#">A45F</a>
Hammocks,	<a href="#">A45F 3/22</a>
Sacks or packs convertible into sleeping bags,	<a href="#">A45F 4/08</a>
Mattresses,	<a href="#">A47C 27/00</a>
Poultices for effecting heating (apparently including victim rescue bags)	<a href="#">A61F 7/02</a>
Sheets for use with stretchers (apparently including victim rescue bags),	<a href="#">A61G 1/01</a>
Sacks for corpses,	<a href="#">A61G 17/06</a>

- [A47G 9/083](#) takes precedence.

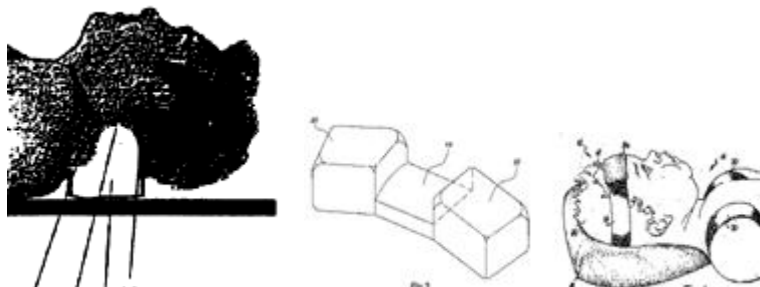
**A47G 9/10**

**Pillows (pillow holders [A47C 21/00](#), {[A47C 21/026](#)}; specially adapted for preventing snoring [A61F 5/56](#))**

**Definition statement**

*This place covers:*

Pillows for sleeping while laying rather than sitting

**References****Informative references**

Attention is drawn to the following places, which may be of interest for search:

Beach blankets with pillow	<a href="#">A47G 9/0238</a>
Head supports for hairdressing	<a href="#">A45D 44/10</a>
Body supports	<a href="#">A47C</a>
Cushions for head support in chairs	<a href="#">A47C 7/36</a>
Pillows for sleeping while seated, e.g. croissant shaped travel pillows	<a href="#">A47C 16/00</a>
Head supports for beds	<a href="#">A47C 20/00</a>
Pillow holders	<a href="#">A47C 21/00</a> , <a href="#">A47C 21/026</a>
Cushions for sitting	<a href="#">A47C 27/00</a>
Cushions for babies	<a href="#">A47D 13/00</a>
Head supports in bathtub	<a href="#">A47K 3/12</a>

Pillows specially adapted for preventing snoring	<a href="#">A61F 5/56</a>
Side bolsters for beds	<a href="#">A61G 7/0525</a>
Body supports for patients	<a href="#">A61G 7/065</a> , <a href="#">A61G 13/121</a>
Head supports specially adapted for nursing beds	<a href="#">A61G 7/072</a>
Head supports for operating or dental chairs	<a href="#">A61G 15/125</a>
Cushions in cars	<a href="#">B60N 2/00</a>
Packaging of pillows	<a href="#">B65D 85/07</a>
Loose filling materials for pillows	<a href="#">B68G 1/00</a> , <a href="#">B68G 2001/005</a>
Nonwoven filling	<a href="#">D04H</a>
Cushions with sun/wind screen	<a href="#">E04H 15/003</a>
Head supports with loudspeaker	<a href="#">H04R 5/023</a>

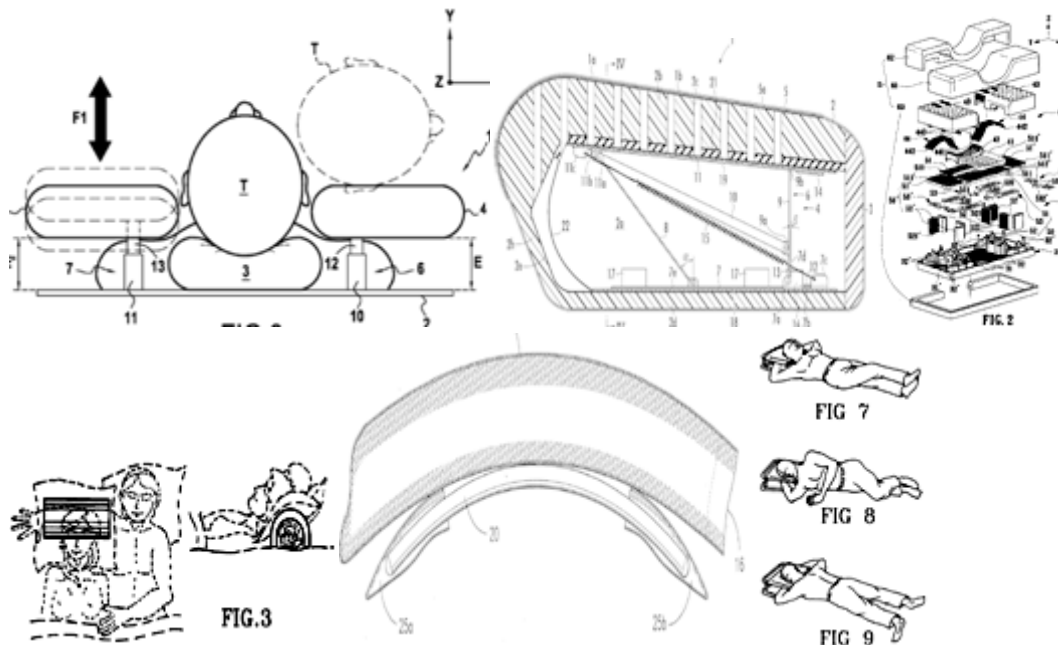
## A47G 9/1009

{Rigid frame constructions}

### Definition statement

*This place covers:*

Illustrative example of subject matter classified in this group.

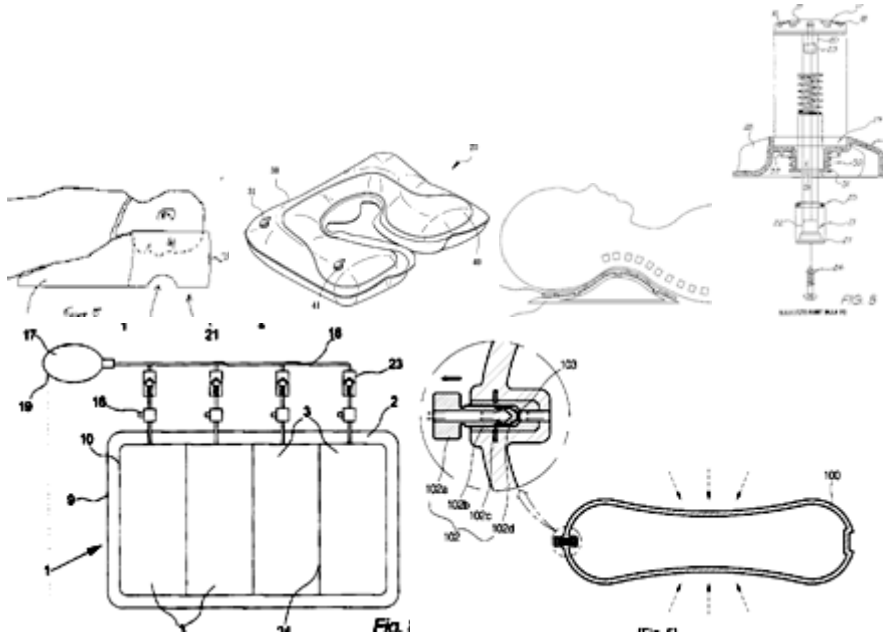


## A47G 9/1027

{Details of inflatable pillows}

### Definition statement

This place covers:



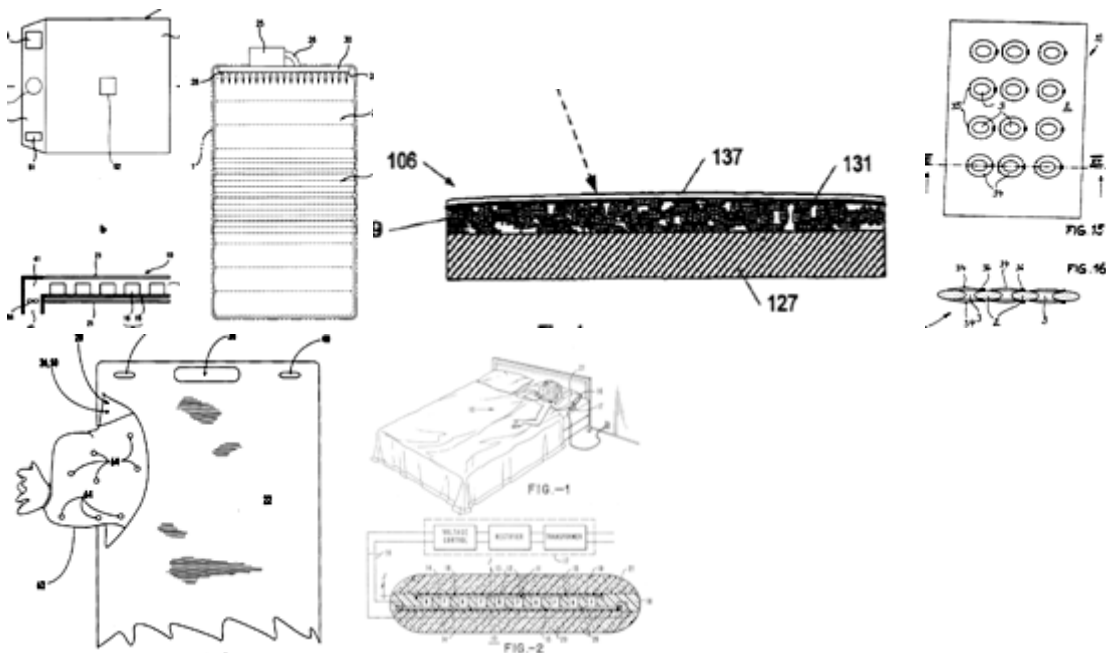
## A47G 9/1036

{with cooling or heating means}

### Definition statement

This place covers:

Illustrative example of subject matter classified in this group.



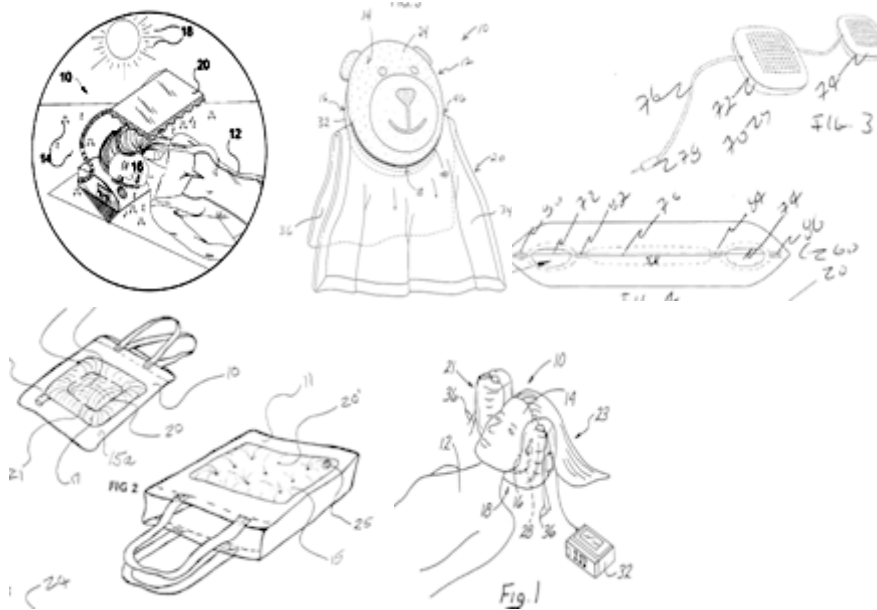
## A47G 9/1045

{shaped as, combined with, or convertible into other articles, e.g. dolls, sound equipments, bags or the like}

### Definition statement

*This place covers:*

Illustrative example of subject matter classified in this group.



## A47G 11/00

Table linen {(picnic blankets [A47G 9/06](#); placemats [A47G 23/0303](#))}

### References

#### Informative references

Attention is drawn to the following places, which may be of interest for search:

Picnic blankets	<a href="#">A47G 9/06</a>
Placemats	<a href="#">A47G 23/0303</a>

## A47G 19/00

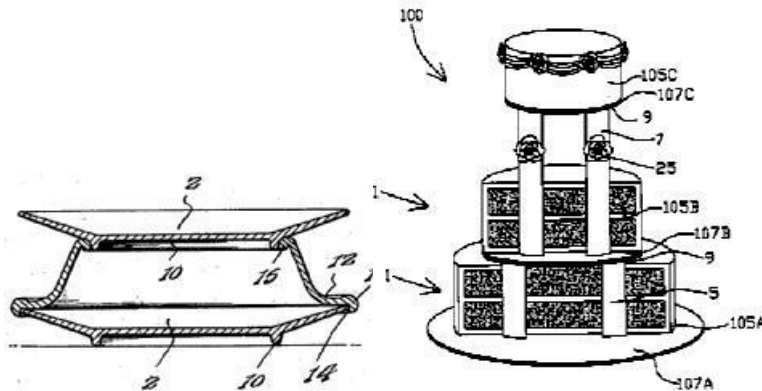
### Table service

#### Definition statement

*This place covers:*

- Table service made from special material (biodegradable, edible, porcelain), with special coatings or produced via a particular process
- Cake stands/shields, candle holders for cakes not in the form of covers
- "kits" containing complete sets of all feeding accessories
- Food or beverage fanning devices
- Open dish covers for stacking multiple dishes with food

Illustrative example of subject matter classified in this group:



## References

### Informative references

Attention is drawn to the following places, which may be of interest for search:

Cake covers with candle holders; Closed dish covers for stacking multiple dishes with food	<a href="#">A47G 19/26</a>
Nestable or stackable containers	<a href="#">B65D 21/00</a>
Plates for lifting cakes out of boxes	<a href="#">B65D 83/768</a>
Coating glass with metals	<a href="#">C03C 17/00</a>
After treatment (coating) of ceramics	<a href="#">C04B 41/00</a>
Candle holders	<a href="#">F21V 35/00</a>

## A47G 2019/005

{for shellfish}

### Definition statement

*This place covers:*

Table service for shellfish

- For presenting shrimps, oysters or the like in a cooled environment
- For eating mussels or other shellfish in a sauce and having easy access to the sauce

## A47G 19/02

**Plates, dishes or the like**

### Definition statement

*This place covers:*

- Plates adapted for particular types of food (pasta, cereal, seafood, popcorn, snails, soup, etc.)
- Plates with suction cups or other anti-slip features
- (Ceramic) plates with means to avoid breaking
- Stacking features to avoid damages due to scratches
- Plates with food stabilising means
- Plates with means to avoid insect entering the plate
- Collapsible plates

- Plates with anti-spill features
- Plates with means for separating liquid and solid foodstuff

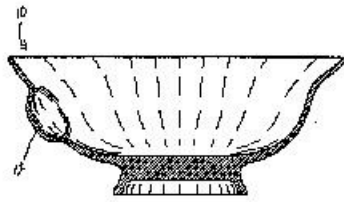


FIG. 3

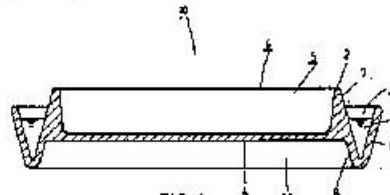


FIG. 2

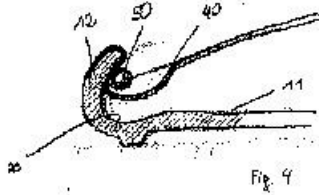


Fig. 4

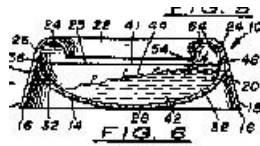


FIG. 5

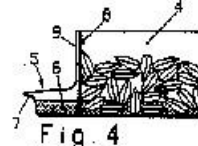


Fig. 4

## References

### Informative references

Attention is drawn to the following places, which may be of interest for search:

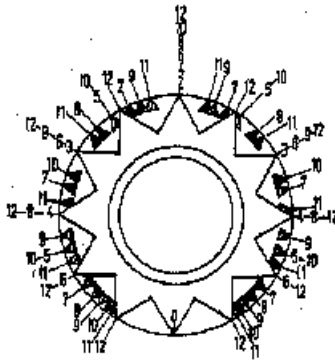
Pet food trays	<a href="#">A01K 5/0114</a>
Baking forms	<a href="#">A21B 3/13</a>
Cutting boards	<a href="#">A47J 47/005</a>
Tray-like containers in general	<a href="#">B65D 1/34</a>
Nestable or stackable containers	<a href="#">B65D 21/00</a>
Containers specially adapted for microwaves	<a href="#">B65D 81/3446</a>

## A47G 19/022

{Plates comprising indications for dividing cakes or the like into parts of equal size (apparatus for cutting pies or the like into equal segments [B26D 3/245](#))}

### Definition statement

*This place covers:*



### References

#### Informative references

*Attention is drawn to the following places, which may be of interest for search:*

Cutting or slicing machines or devices specially adapted for baked articles other than bread	<a href="#">A21C 15/04</a>
--	----------------------------

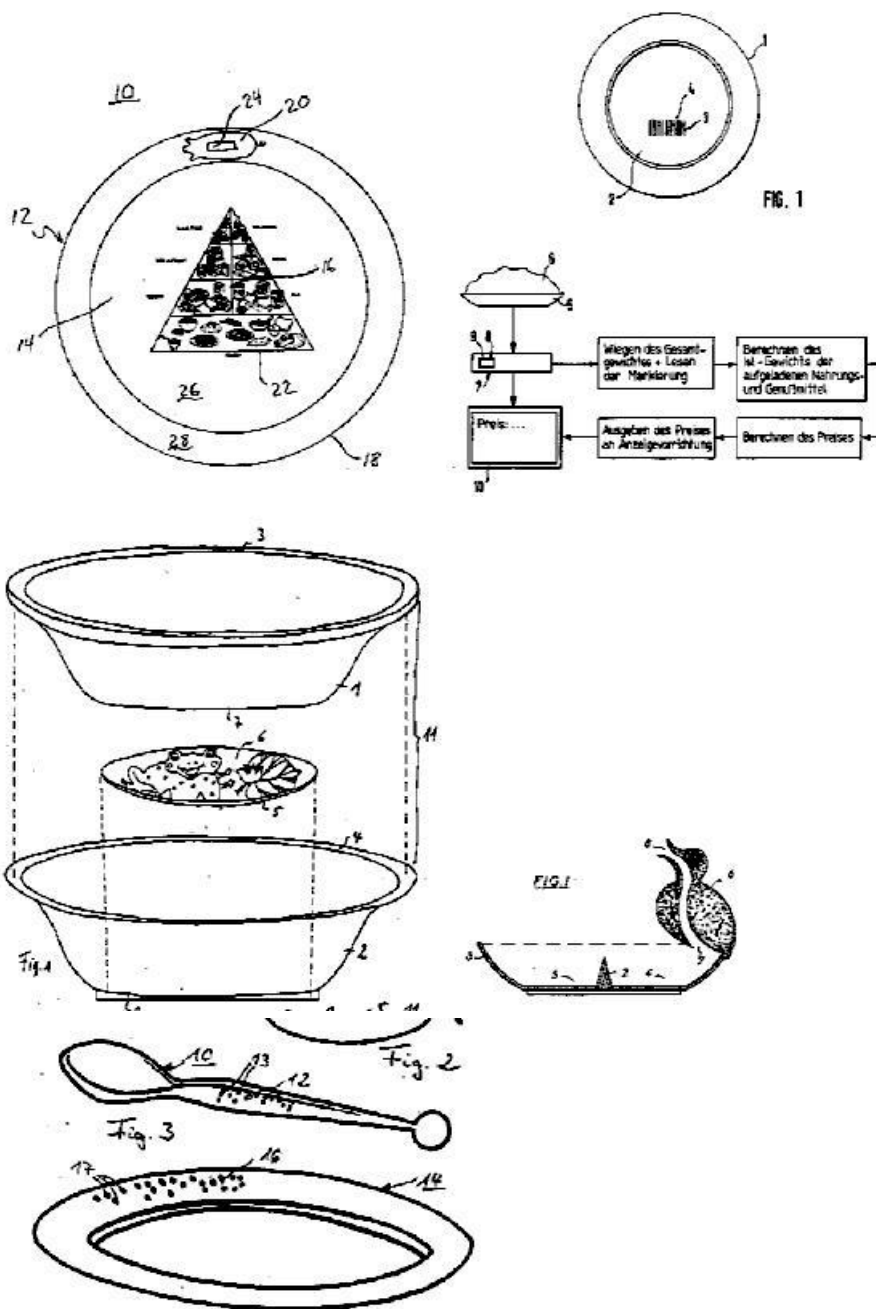
## A47G 19/025

{with means for amusing or giving information to the user}

### Definition statement

*This place covers:*

- Displaying dietary information
- Providing sound, illumination or images
- With means to entertain or reward children while eating
- With exchangeable images or information
- With electronically readable data carrier



## References

### Informative references

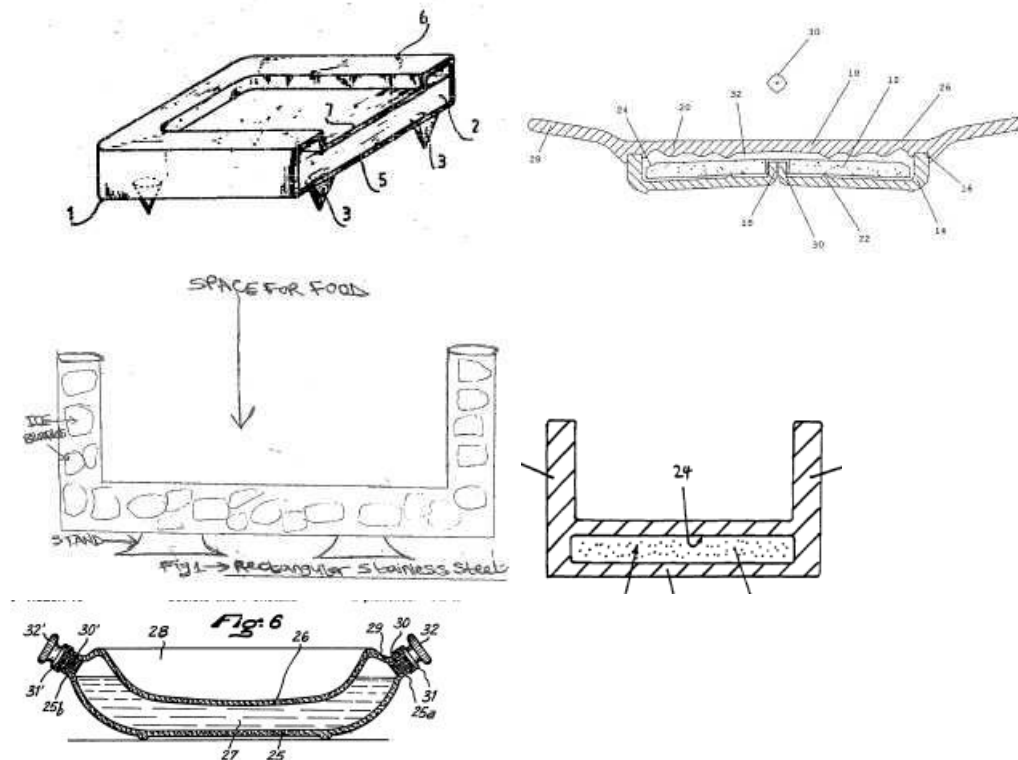
Attention is drawn to the following places, which may be of interest for search:

Games	<a href="#">A63F</a>
Toys	<a href="#">A63H</a>
Processes for producing special ornamental bodies	<a href="#">B44C 5/005</a>
Foldable carton-boxes simulating, or transformable into, a special configuration, e.g. a car, a house, an animal	<a href="#">B65D 81/368</a>
Weighing apparatus	<a href="#">G01G 19/00</a>
Advertising combined with tableware	<a href="#">G09F 23/08</a>



**A47G 19/027****{with means for keeping food cool or hot}****Definition statement***This place covers:*

"hot plates" with chamber for heat storing liquid or solid material

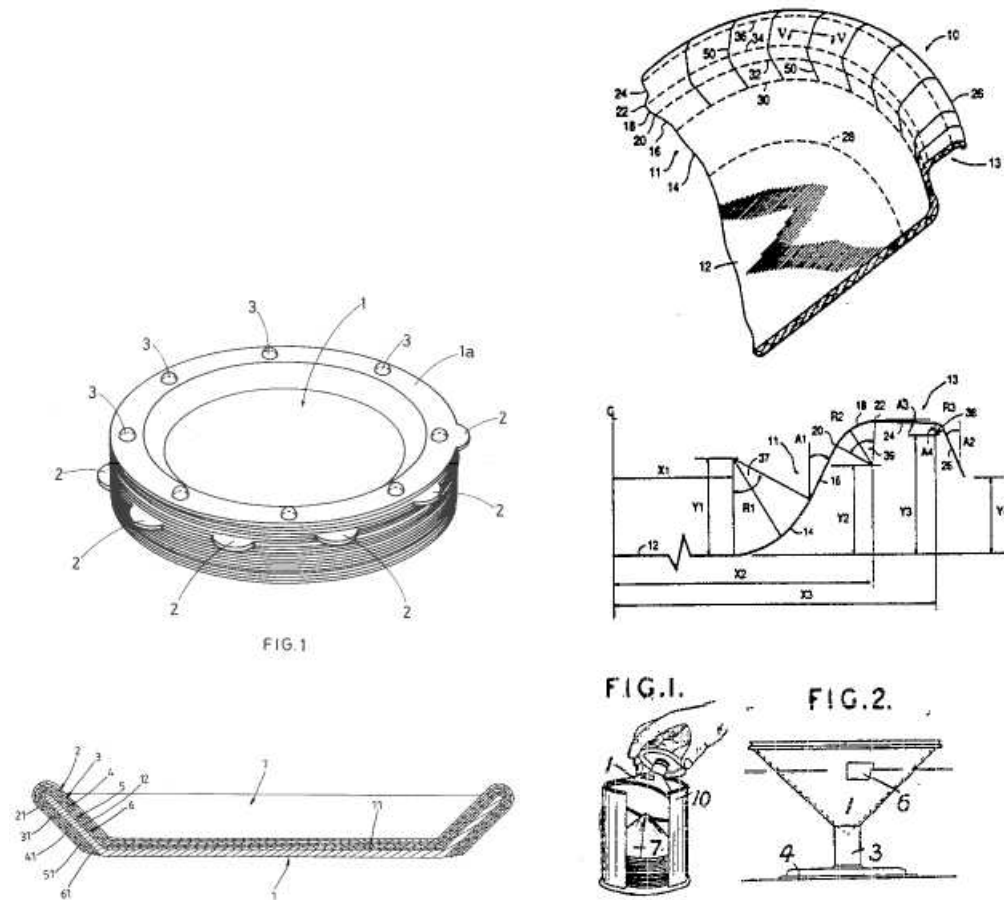
**References****Informative references***Attention is drawn to the following places, which may be of interest for search:*

Cooking vessels using heat storage elements	<a href="#">A47J 36/24</a>
Containers with thermal insulation	<a href="#">B65D 81/38</a>
Materials releasing or absorbing heat during crystallisation	<a href="#">C09K 5/063</a>
Portable cooling devices using ice	<a href="#">F25D 3/08</a>
Heat storage apparatus in general using latent heat	<a href="#">F28D 20/02</a>
Table service with heating, cooling or heat insulation	A47G19/00&C (FI)

**A47G 19/03****for using only once, e.g. made of paper****Definition statement***This place covers:*

- Plates or dishes having multiple strippable face layers or replaceable plates

- Plates or dishes made from ice, dough or other edible material



**References**

**Informative references**

Attention is drawn to the following places, which may be of interest for search:

Pet food trays	<a href="#">A01K 5/0114</a>
Disposable baking forms	<a href="#">A21B 3/131</a>
Edible, baked containers, e.g. cups or cones to be filled	<a href="#">A21D 13/33</a>
Edible food containers	<a href="#">A23P 20/20</a>
Corrugating paper or cardboard	<a href="#">B31F 1/20</a>
Layered products	<a href="#">B32B</a>
Trays or like shallow containers	<a href="#">B65D 1/34</a>
Wrappers or flexible covers	<a href="#">B65D 65/00</a>

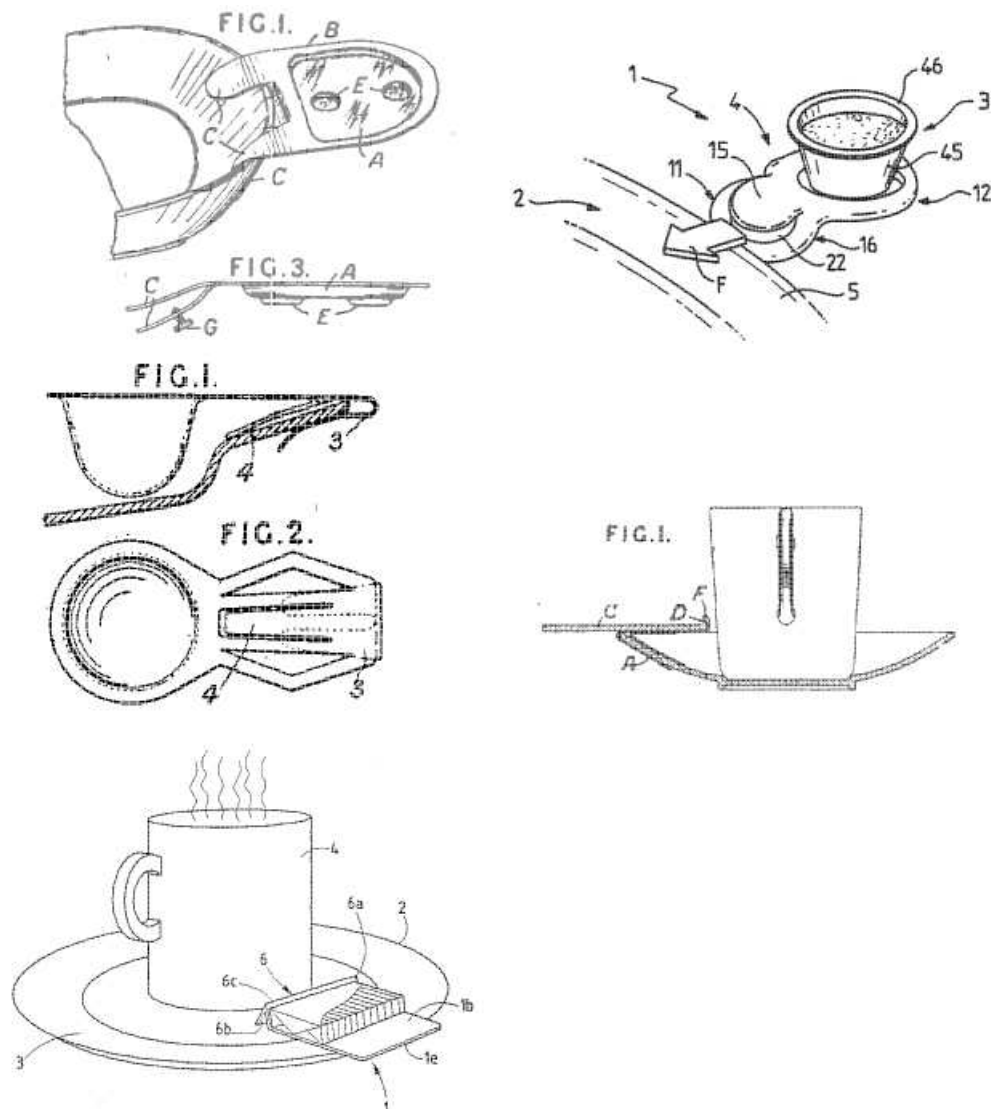
## A47G 19/04

### Plates with detachable waste receptacles

#### Definition statement

This place covers:

- Detachable receptacles for holding condiments, sauces or other additional food items on a plate
- Detachable waste receptacles



#### References

##### Informative references

Attention is drawn to the following places, which may be of interest for search:

Glass holder attachable to a plate	<a href="#">A47G 23/0225</a>
Attachments to trays	<a href="#">A47G 23/0633</a>
Containers for two or more different materials which must be maintained separate prior to use	<a href="#">B65D 81/32</a>
External fittings for containers	<a href="#">B65D 85/22</a>

## A47G 19/06

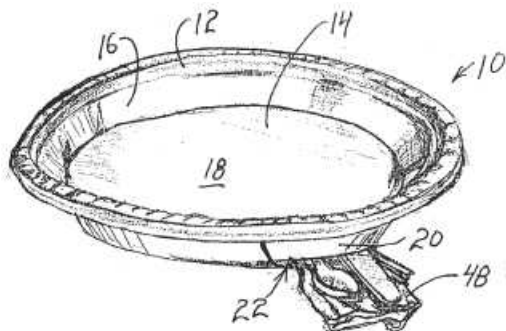
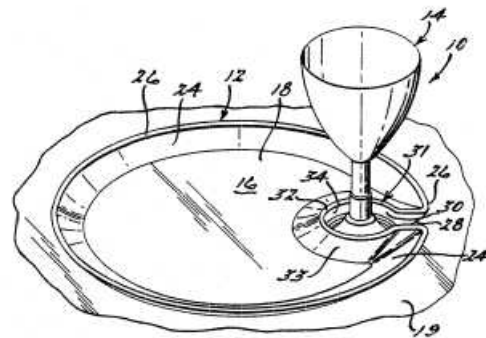
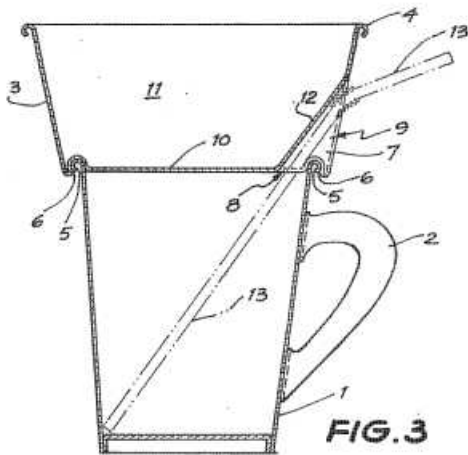
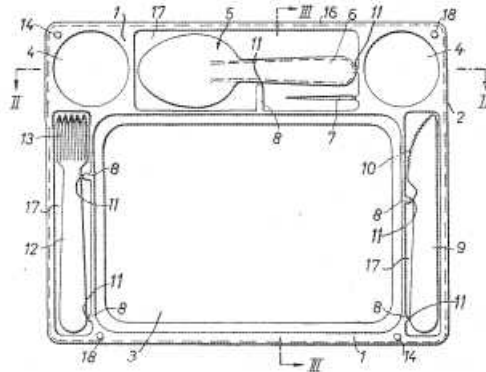
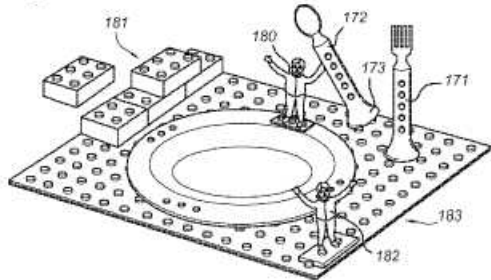
### Plates with integral holders for spoons, glasses, or the like

#### Definition statement

This place covers:

- Plates with detachable cutlery
- Cocktail or party trays for easily holding food and drink with one hand

Fig 18a



#### References

##### Informative references

Attention is drawn to the following places, which may be of interest for search:

Utensils provided inside closures or lids for containers	<a href="#">B65D 51/246</a>
Utensils inserted in containers	<a href="#">B65D 77/245</a>

## A47G 19/065

{with thumb holes, handles or the like enabling the user to support the plate from below}

### Definition statement

*This place covers:*

- Plates with thumb holes, handles or the like positioned below the tray facilitating carrying
- Plate and glass assemblies, where the glass is used as a handle for carrying

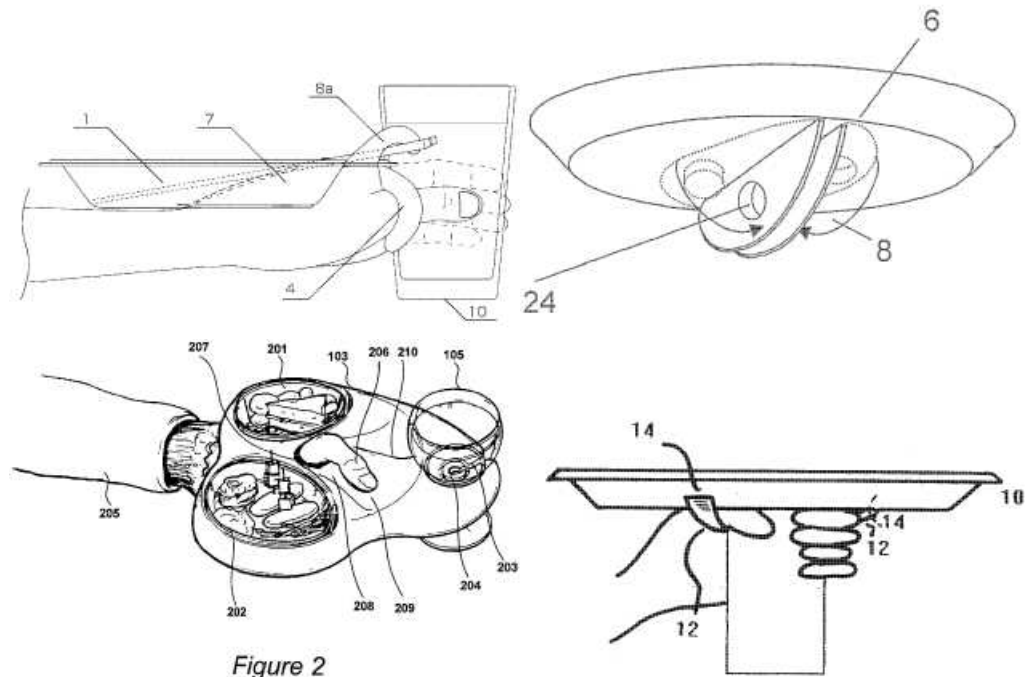


Figure 2

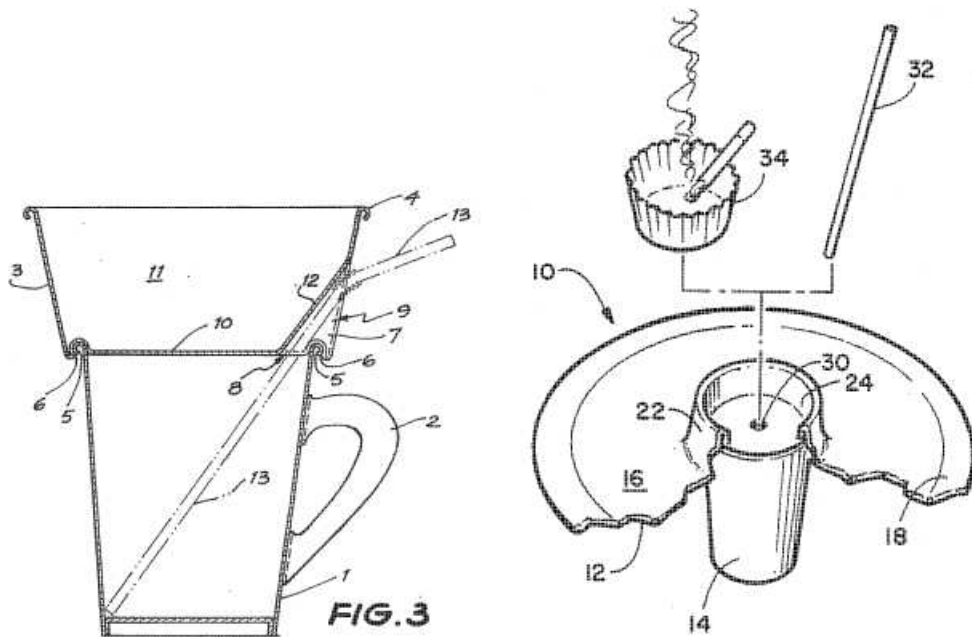


FIG.3

## References

### Informative references

Attention is drawn to the following places, which may be of interest for search:

Plate-holders	<a href="#">A47G 19/08</a>
Serving trays with thumb holes, handles or the like positioned below the tray facilitating carrying the tray with one hand	<a href="#">A47G 23/0625</a>
Trays or like shallow containers	<a href="#">B65D 1/34</a>

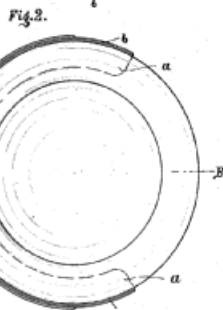
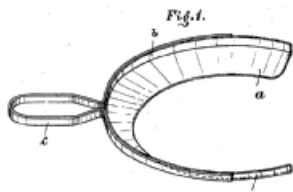
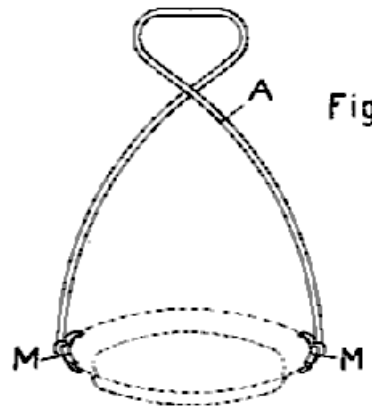
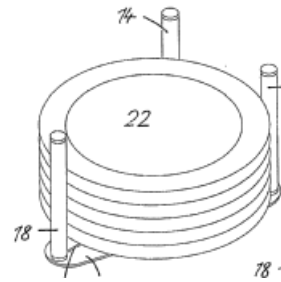
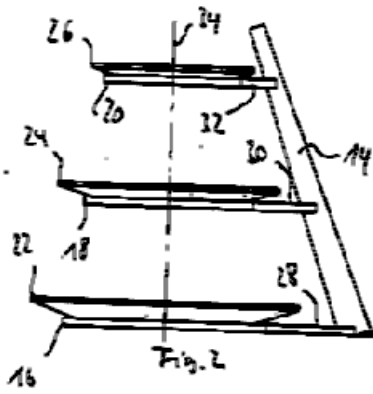
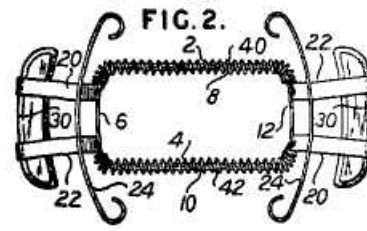
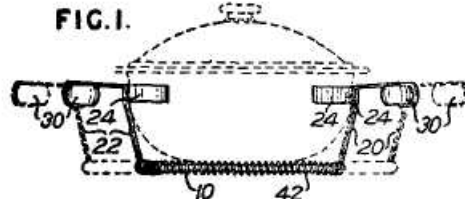
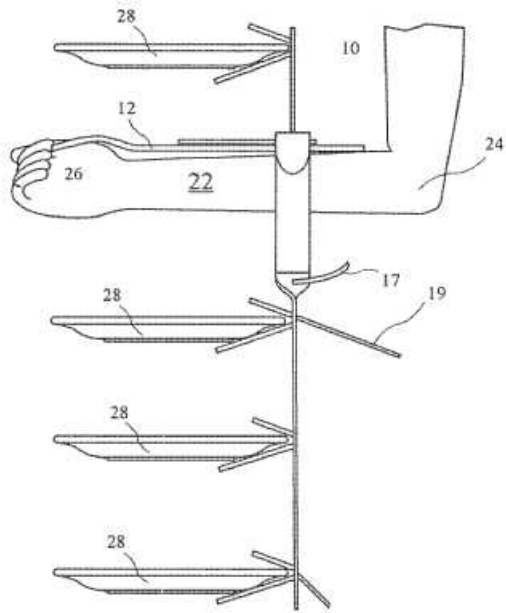
## A47G 19/08

### Plate-holders (holders for kitchen pots [A47J 45/10](#))

#### Definition statement

*This place covers:*

- Devices for carrying or holding one or more plates
- Holder for (hot) containers such as casseroles and the like
- Stands for supporting one or more plates on a table



## References

### *Informative references*

*Attention is drawn to the following places, which may be of interest for search:*

Plate and glass assemblies, where the glass is used as a handle for carrying	<a href="#">A47G 19/065</a>
Washing machine racks	<a href="#">A47L 15/50</a>
Record carriers	<a href="#">G11B 23/00</a>
HOLDERS for semiconductor devices	<a href="#">H01L 21/00</a>
Racks for printed circuits	<a href="#">H05K 7/00</a>



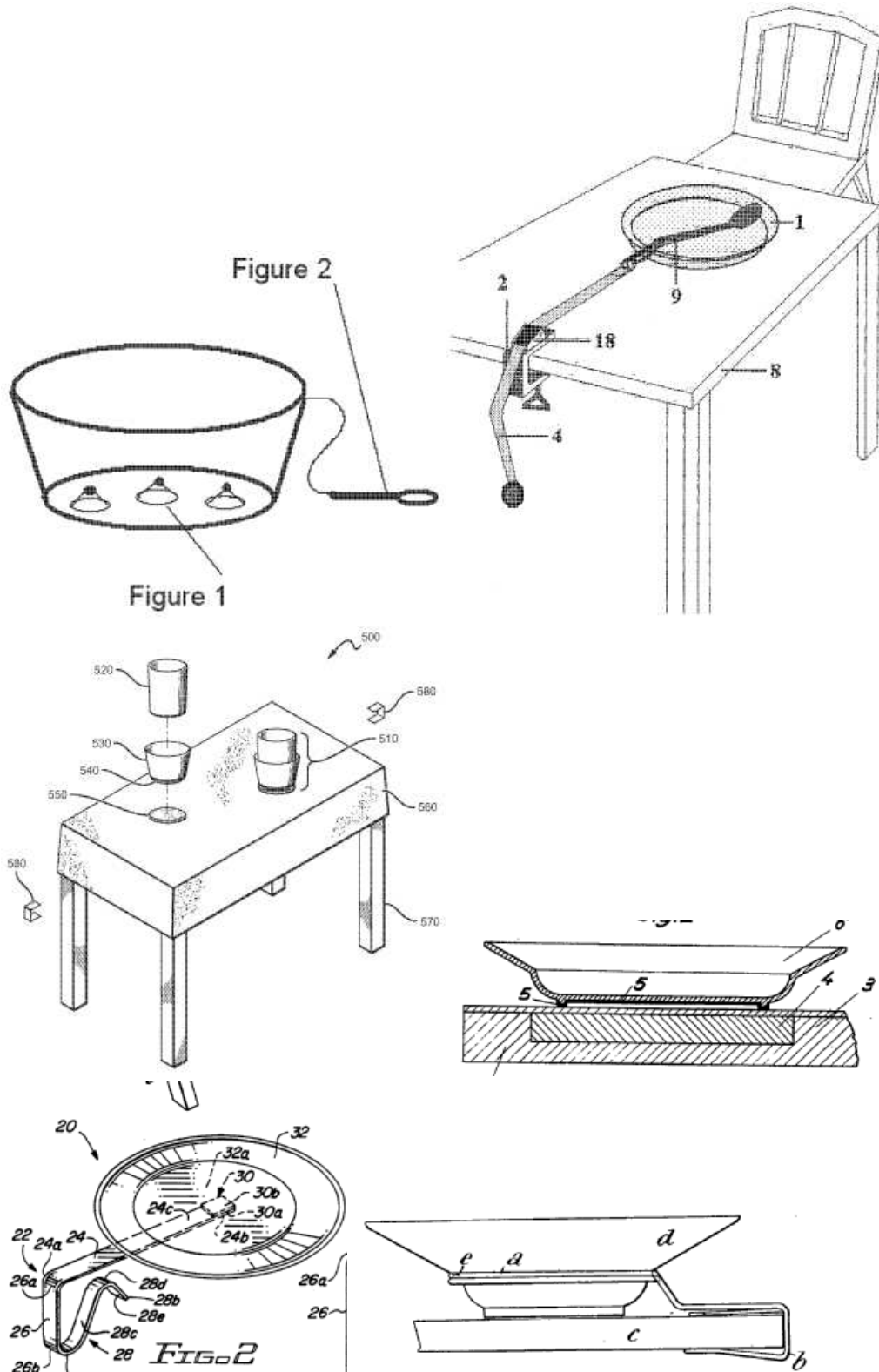
## **A47G 19/10**

### **Devices for securing plates to the table**

#### **Definition statement**

*This place covers:*

Plates fixed on a table by suction cups, magnets, adhesive, clamps, straps or the like.



**References**

**Informative references**

Attention is drawn to the following places, which may be of interest for search:

Glass or bottle holders attachable to a table	<a href="#">A47G 23/0225</a>
Table mats	<a href="#">A47G 23/0303</a>

Devices for securing receptacles to tables	<a href="#">A47G 29/093</a>
Holders for glasses, ashtrays, lamps, candles or the like forming part of tables	<a href="#">A47B 13/16</a>
Children's chairs with trays	<a href="#">A47D 1/008</a>
Suction cups for attaching purposes	<a href="#">F16B 47/00</a>

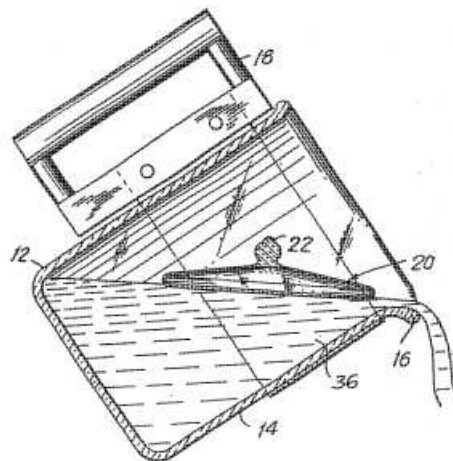
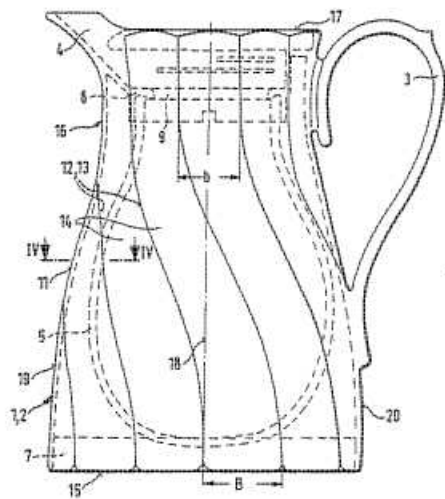
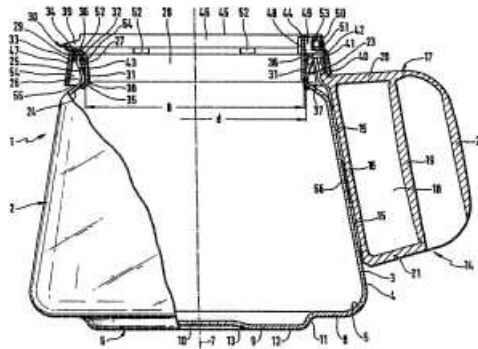
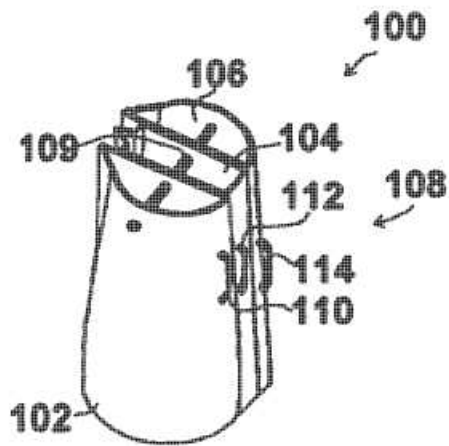
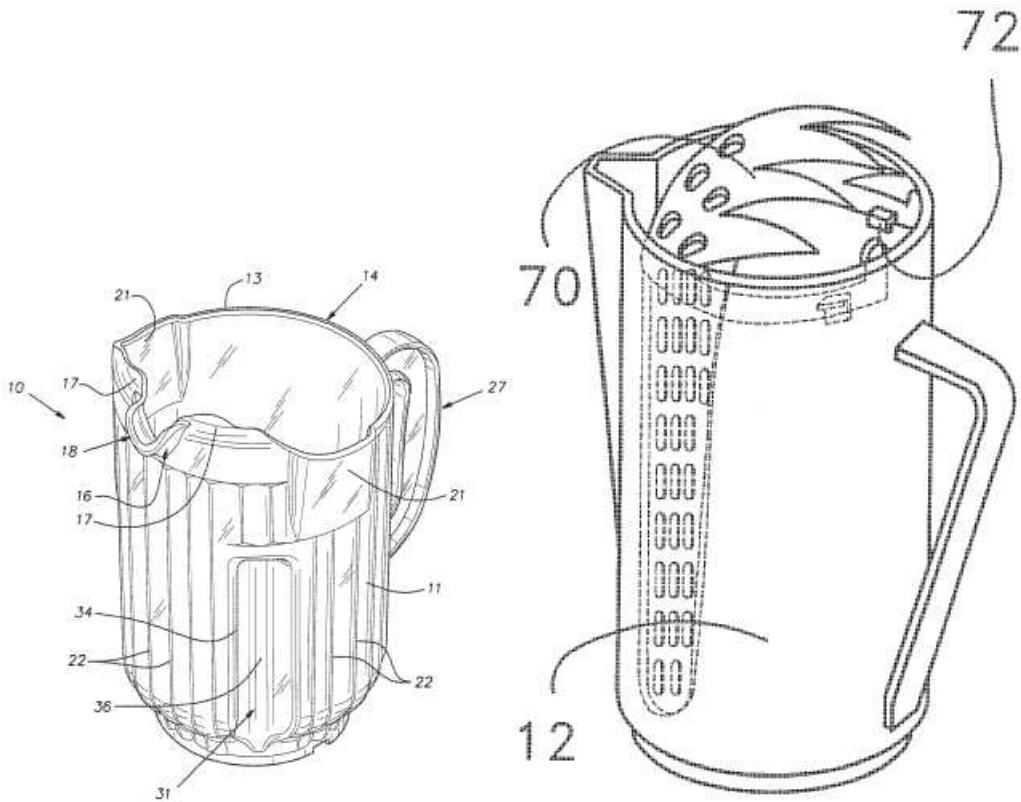
## **A47G 19/12**

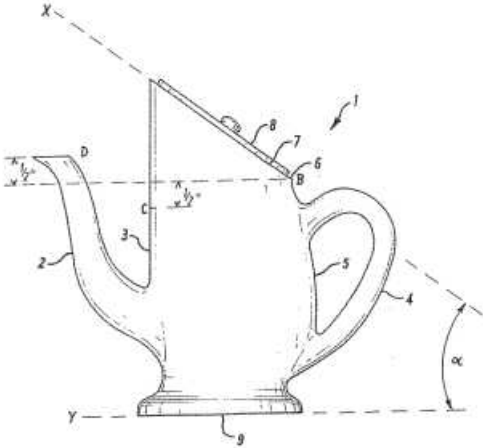
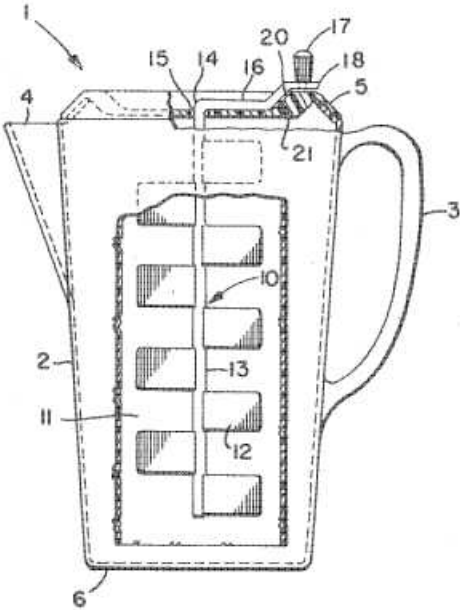
### **Vessels or pots for table use**

#### **Definition statement**

*This place covers:*

- Lids or strainers for use in pitchers
- Means for fixing spouts or handles to pitchers
- Pitchers with means for mixing content
- Pitchers with means for separating different liquids
- Pitchers with level indicators





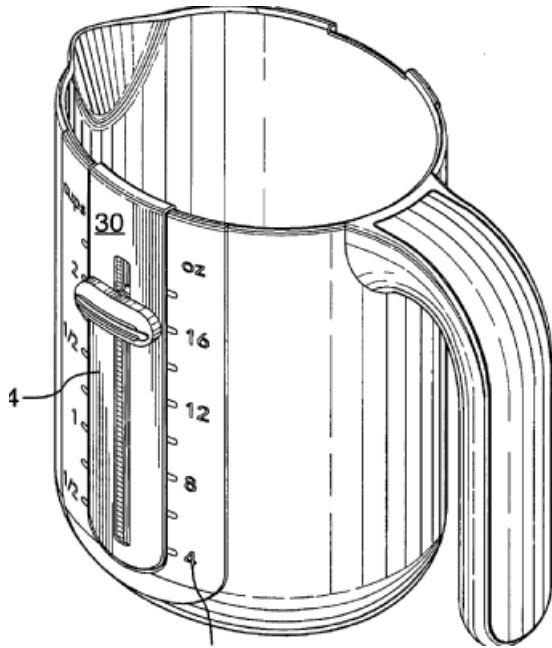
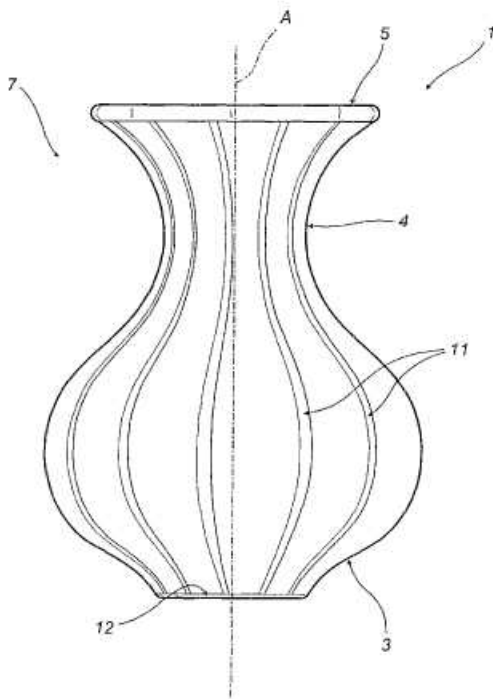
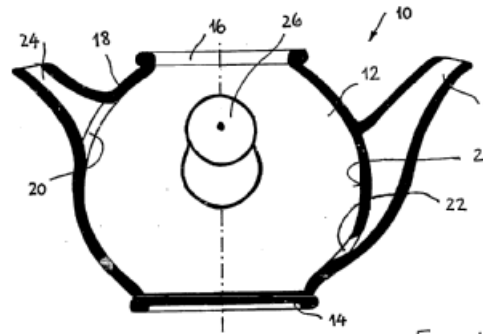


FIG. 2



**References**

**Informative references**

Attention is drawn to the following places, which may be of interest for search:

Filters or strainers for coffee or tea makers	<a href="#">A47J 31/06</a>
Thermally-insulated vessels	<a href="#">A47J 41/00</a>
Detachable collar handles for hollow-ware	<a href="#">A47J 45/077</a> (fixed handles <a href="#">A47J 45/066</a> )

Detachable handles for coffee pots	<a href="#">A47J 45/078</a> (fixed handles <a href="#">A47J 45/067</a> )
Closures with pouring spouts	<a href="#">B65D 47/06</a>
Hinged, loosely-engaging lids or covers for jars	<a href="#">B65D 51/04</a>
Pitchers with filters for producing potable water	<a href="#">C02F 1/003</a>
Treatment of water using household-type filters	<a href="#">C02F 1/003</a>
Treatment of water by permanent magnets	<a href="#">C02F 1/481</a>
Portable cooling devices using ice	<a href="#">F25D 3/08</a>

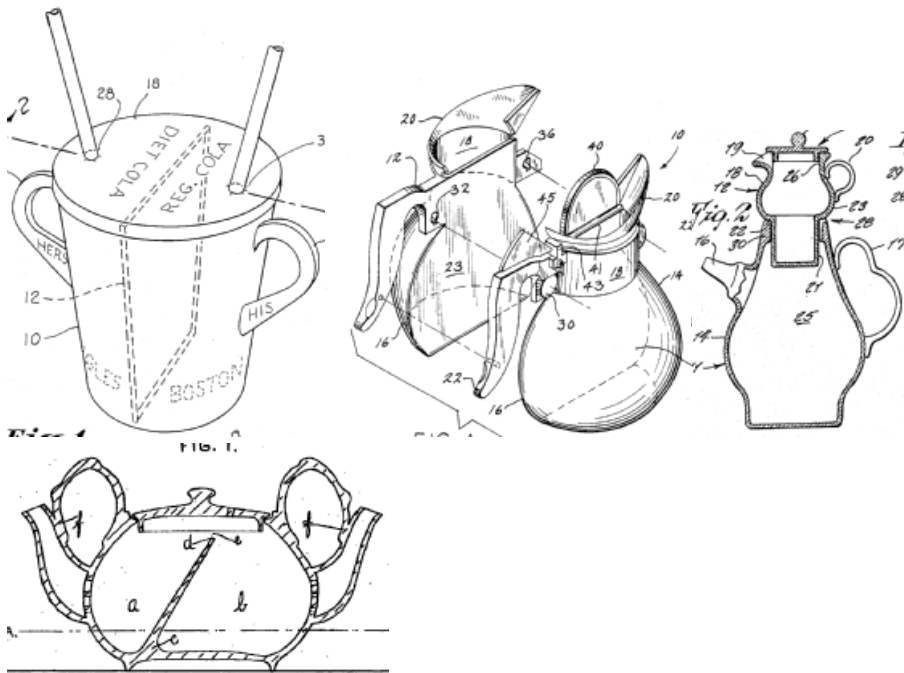
## A47G 2019/122

{for holding and dispensing a plurality of different liquids}

### Definition statement

*This place covers:*

Multi chambered vessels (tea or coffee pots, drinking cups)

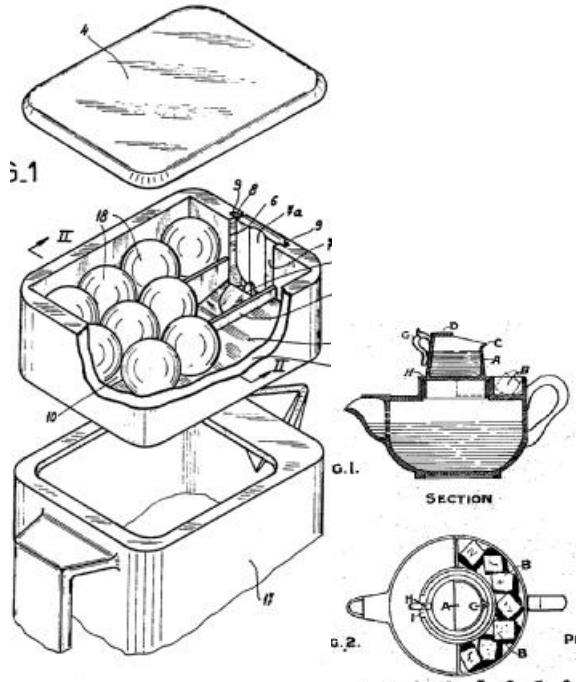


**A47G 2019/125**

{the lid comprising a compartment for holding sugar, cream or the like}

**Definition statement**

*This place covers:*

**A47G 19/127**

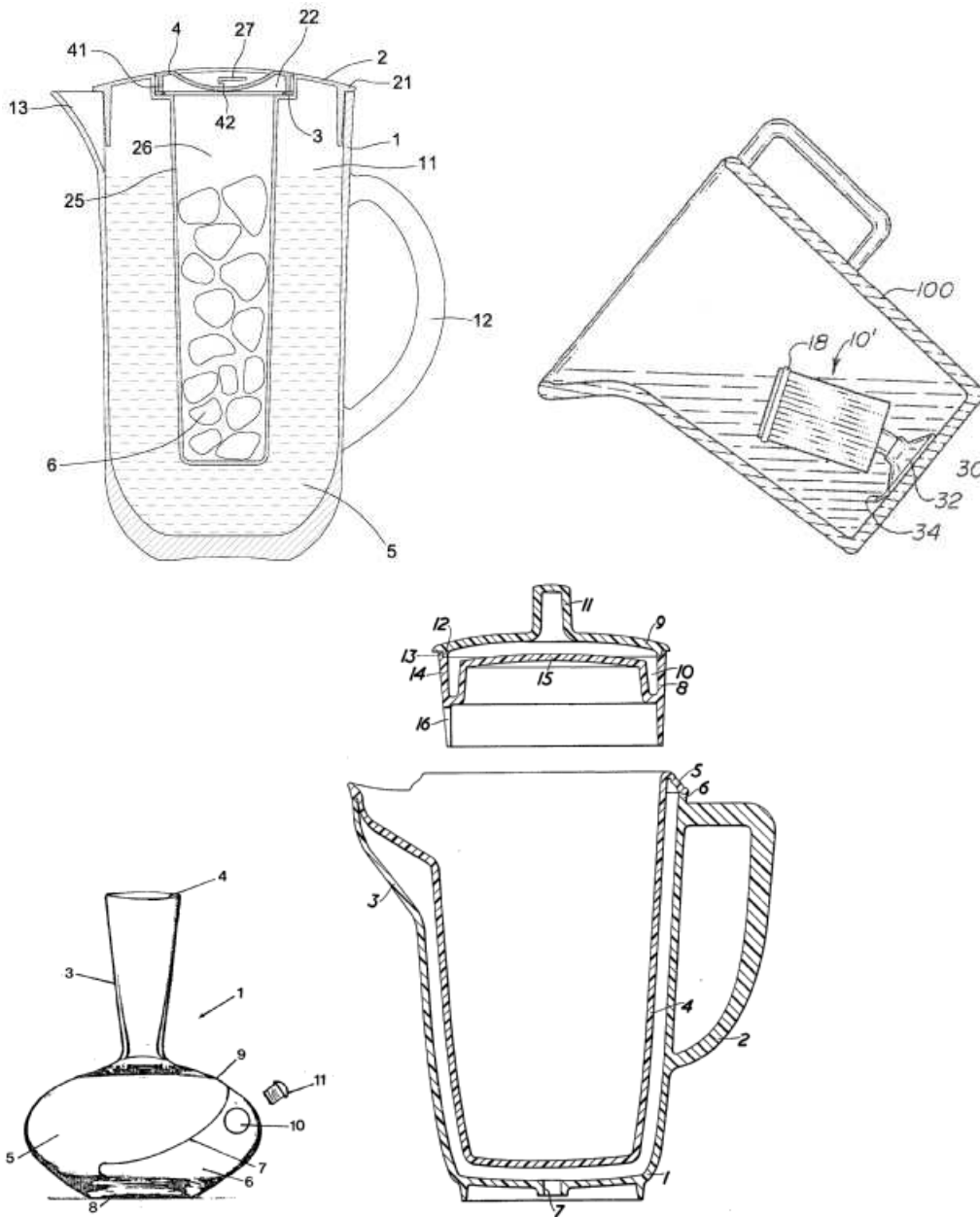
{with means for keeping liquid cool or hot (vacuum bottles [A47J 41/02](#))}

**Definition statement**

*This place covers:*

- Pitchers with cooling/heating elements
- Thermally insulated, double walled pitchers





**References**

**Informative references**

Attention is drawn to the following places, which may be of interest for search:

Vacuum bottles	<a href="#">A47J 41/00</a>
Containers with thermal insulation	<a href="#">B65D 81/38</a>
Portable cooling devices using ice	<a href="#">F25D 3/08</a>

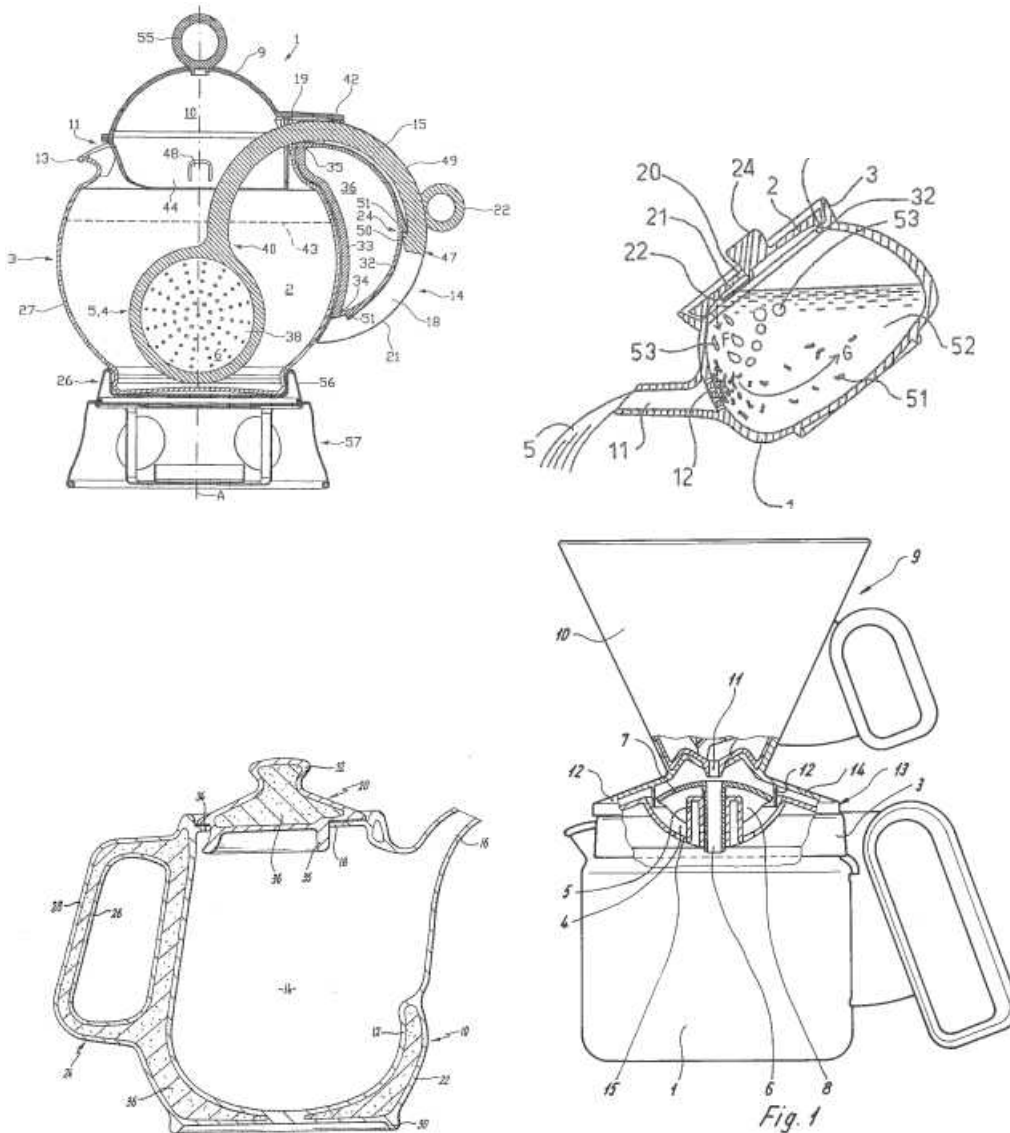
## A47G 19/14

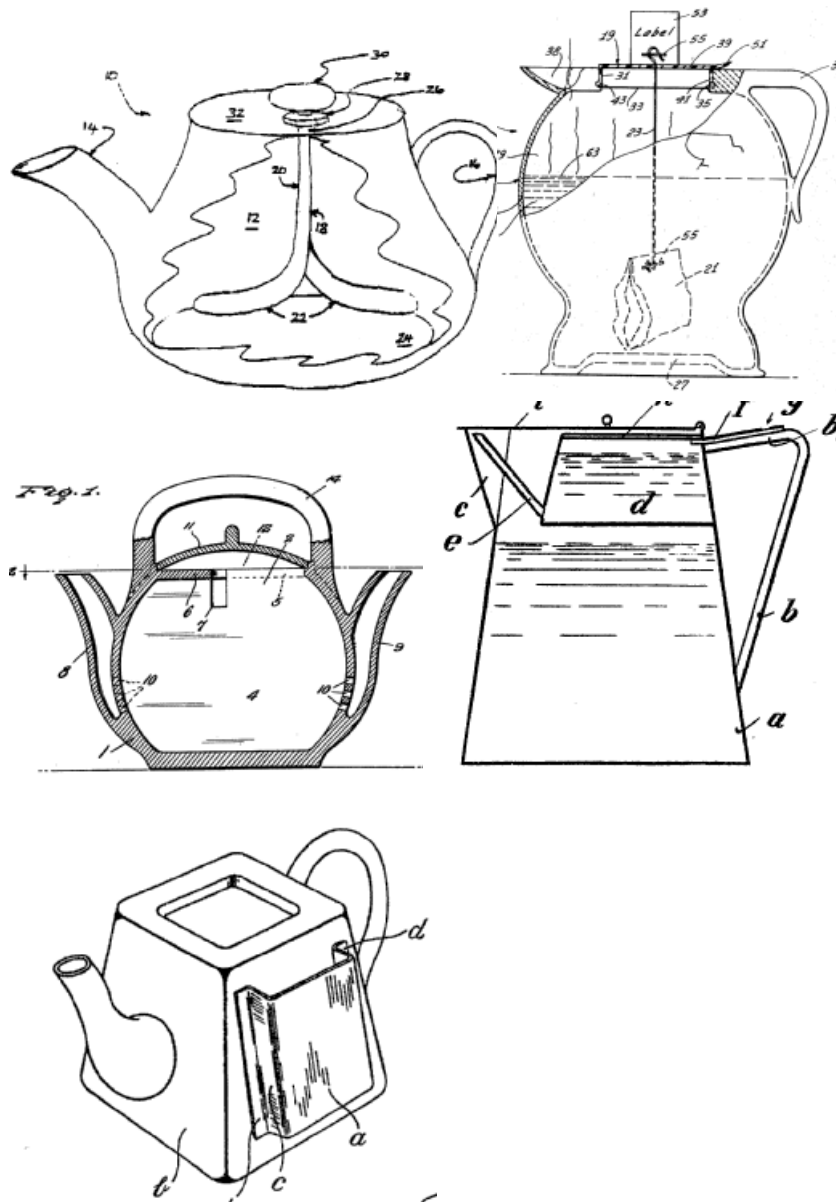
### Coffee or tea pots (filters, strainers [A47J 31/06](#))

#### Definition statement

This place covers:

- Pots specially adapted for use with a coffee or tea brewing machine
- Teapot with arrangements for holding tea leaves inside the pot
- Coffee or teapots with means for reducing oxidation and evaporation
- Stirring apparatus fittable into coffee or teapots
- Pots for simultaneous pouring of more than one liquid, for example tea and milk





**References**

**Informative references**

Attention is drawn to the following places, which may be of interest for search:

Water-boiling vessels (kettles)	<a href="#">A47J 27/21</a>
Coffee-making machines with removable coffee filter, to be placed on top of the coffee pot	<a href="#">A47J 31/02</a>
Coffee or tea-making apparatus with filters placed in or behind pouring spouts	<a href="#">A47J 31/14</a>
Apparatus in which ground coffee or tea-leaves are immersed in the hot liquid in the beverage container	<a href="#">A47J 31/18</a>
Lids, covers or knobs for beverage making apparatus	<a href="#">A47J 31/4407</a>
Water boiling vessels in beverage making machines	<a href="#">A47J 31/54</a>

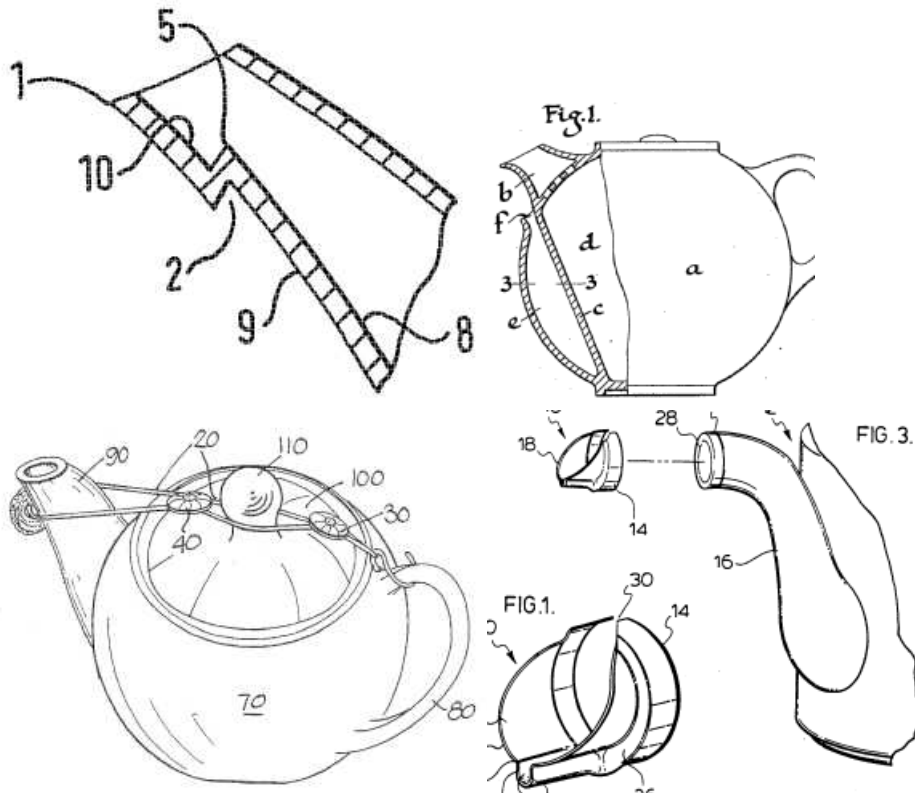
## A47G 19/145

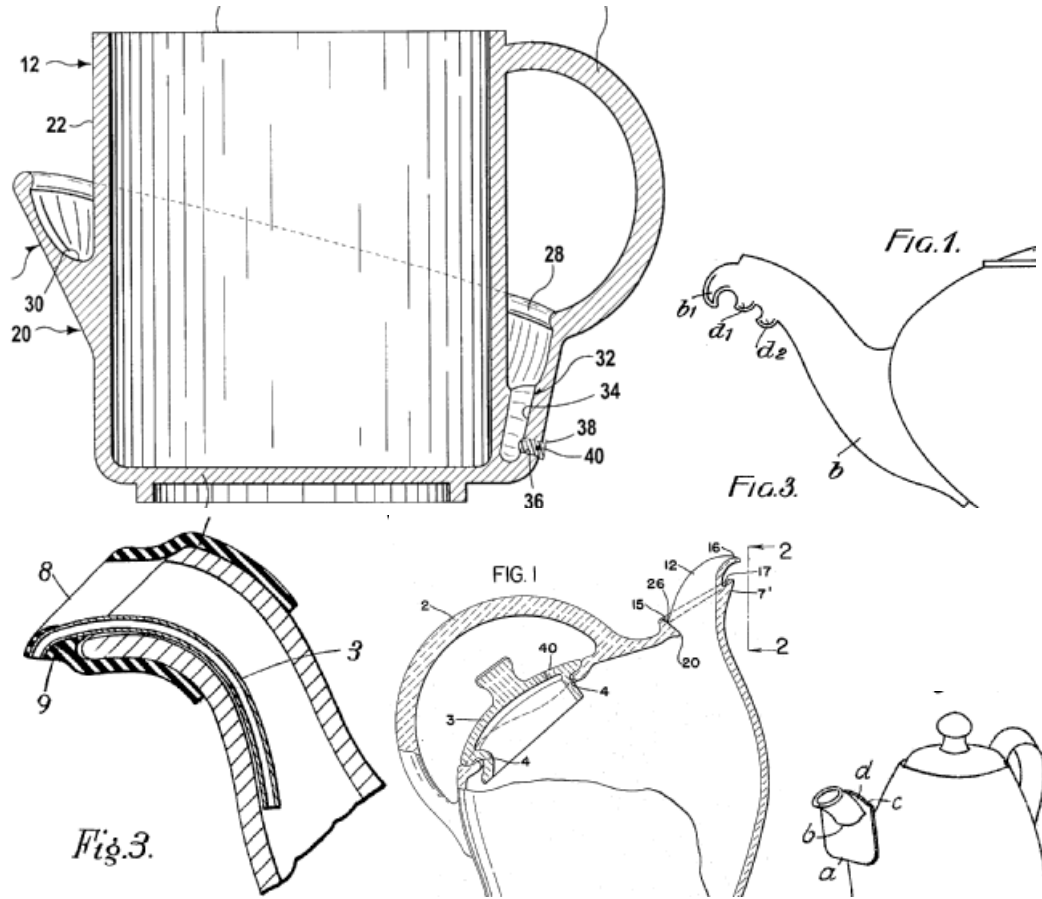
### {Drip catchers for coffee or tea pots}

#### Definition statement

*This place covers:*

- Anti-dripping pouring spout constructions
- Loose or loosely-attached drip catchers for coffee or teapots
- Similar devices for/in drinking cups





**References**

**Informative references**

Attention is drawn to the following places, which may be of interest for search:

Cooking utensils with channels collecting overflowing liquid	<a href="#">A47J 27/58</a>
Pouring-spouts for cooking vessels	<a href="#">A47J 36/14</a>
Drip catchers or drip-preventing means for bottles or jars	<a href="#">B65D 23/06</a>
Closures with pouring spouts	<a href="#">B65D 47/06</a>
Closures with drip catchers or drip-preventing means	<a href="#">B65D 47/40</a>
Antidrip nozzles, spouts or pouring devices	222/571 (UC)
Drip leakage or waste catching	222/108 (UC)

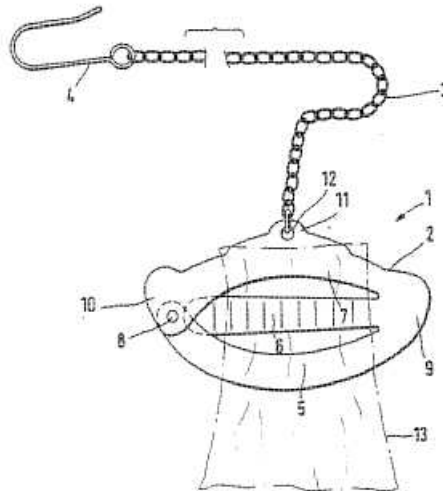
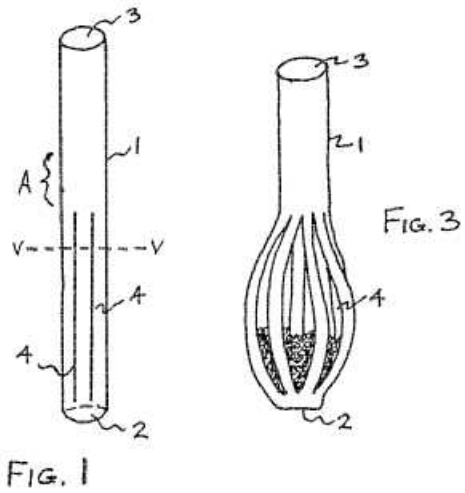
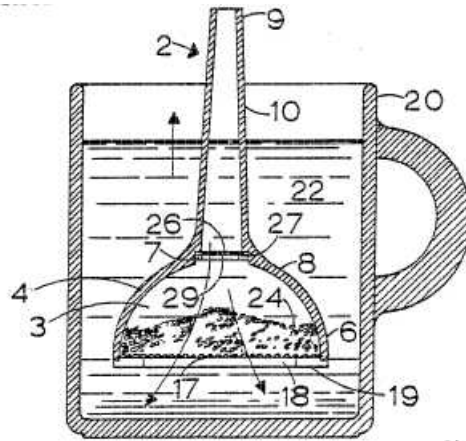
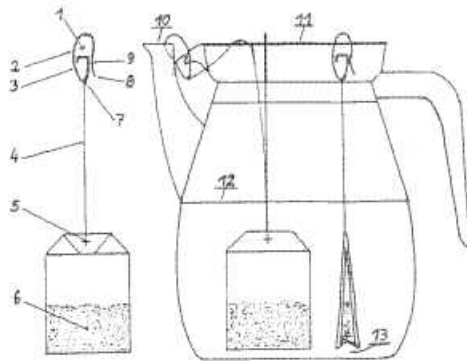
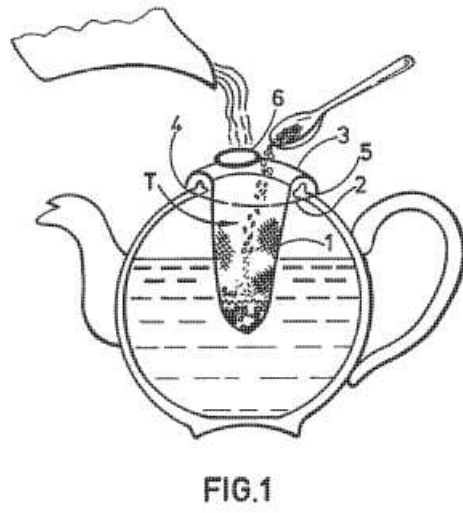
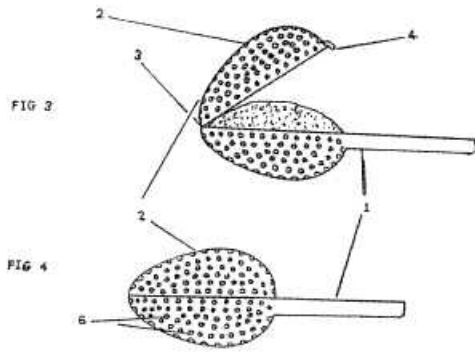
**A47G 19/16**

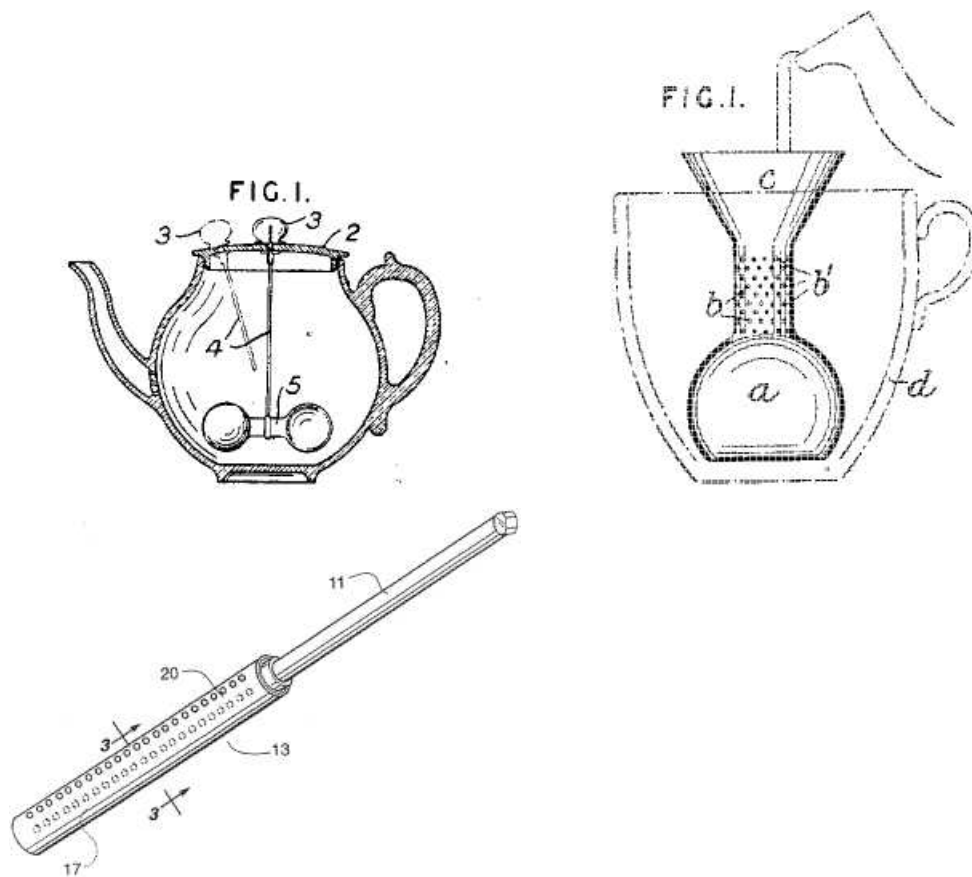
Tea infusers, e.g. infusing bags, egg-shaped infusers (for using only once, e.g. made of paper, [B65B](#), [B65D](#))

**Definition statement**

This place covers:

- Strainers suspended inside tea or coffee pots
- Tea/coffee bags/filters for use more than once
- Clamps or other non-integral arrangements to fix tea bags in pots or cups
- Tea strainers in the shape of an "egg", spoon or clamp





## References

### Informative references

Attention is drawn to the following places, which may be of interest for search:

Drinking cups with integral tea bag holding means	<a href="#">A47G 19/22</a>
Spoons comprising beverage additives	<b>A47G21/04D</b>
Tea bag squeezers	<a href="#">A47G 21/106</a>
Drinking straws with means for changing the flavour of the liquid	<a href="#">A47G 21/183</a>
Filters or strainers for coffee or tea makers suspended from the top of the beverage container	<a href="#">A47J 31/0636</a>
Immersible, e.g. rotatable, filters in coffee or tea apparatus	<a href="#">A47J 31/20</a>
For using only once, e.g. made of paper,	<a href="#">B65B</a> , <a href="#">B65D</a>
Tea bags for using only once	<a href="#">B65D 85/808</a>

## A47G 19/18

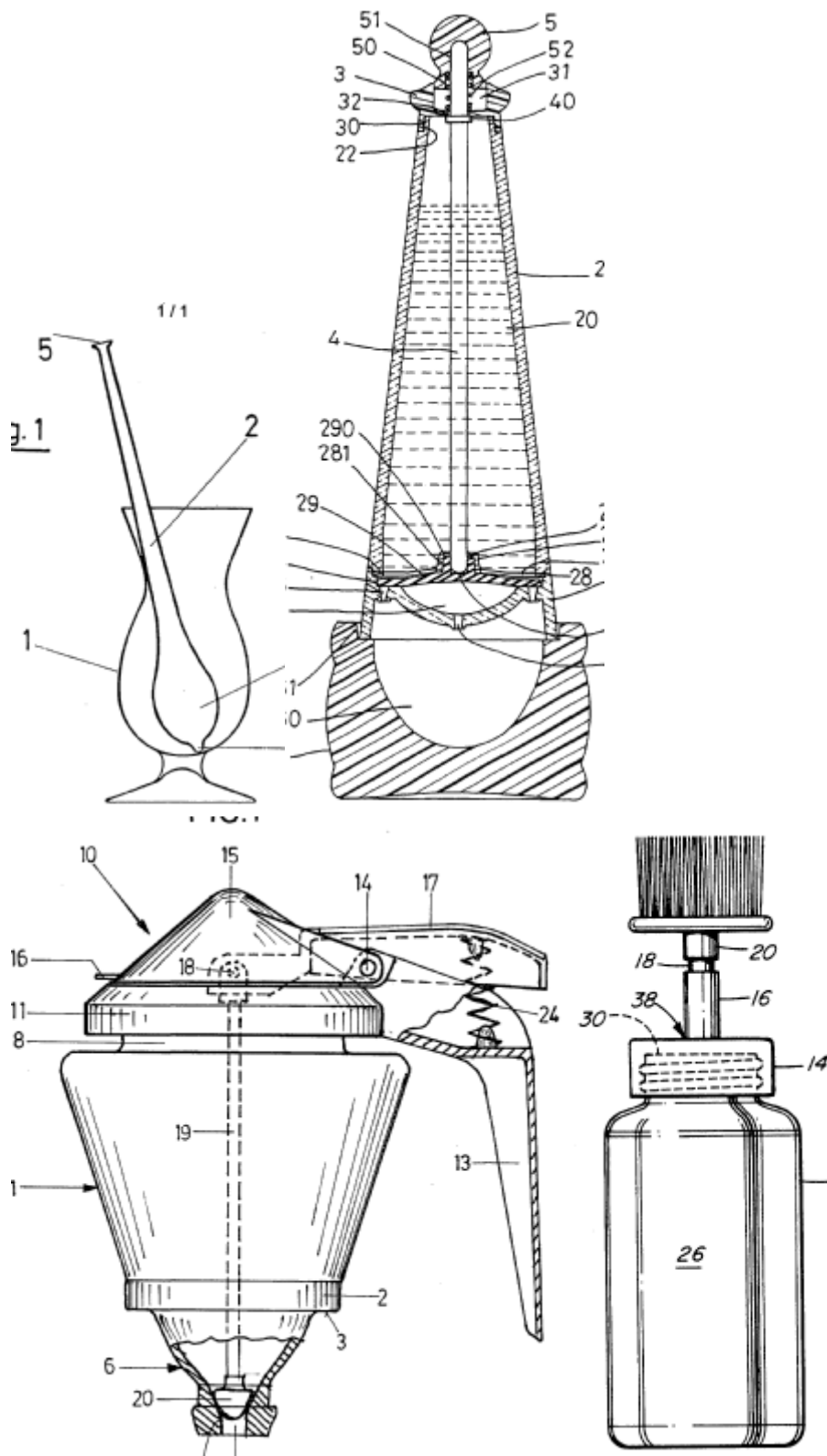
Containers for delivering jam, mustard, or the like (soap deliverers [A47K 5/06](#))

### Definition statement

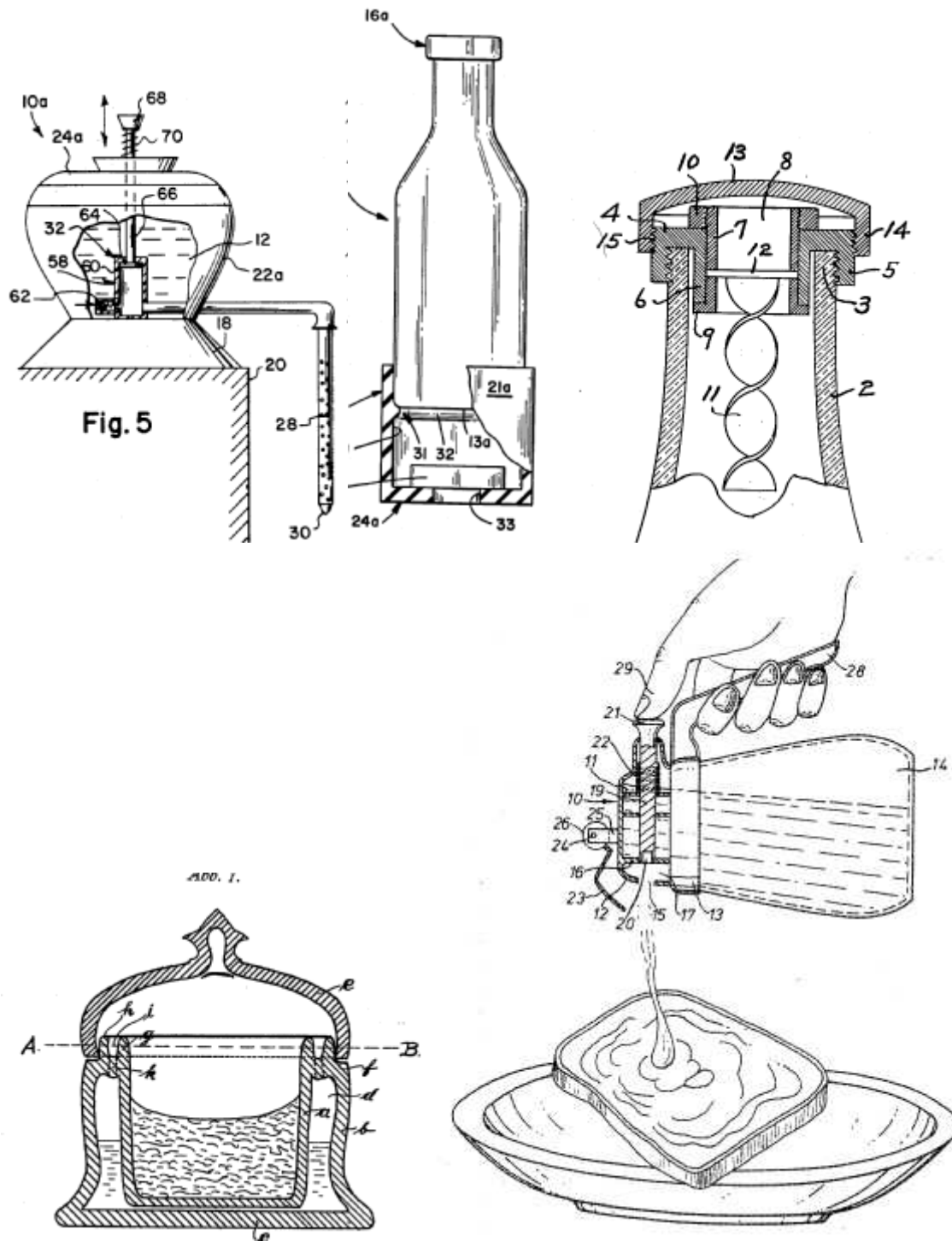
This place covers:

- Anti-clogging structures for containers
- The liquid being dispensed by gravity (opening a valve) or by pouring

- Containers specially adapted for jam, mustard, honey, ketchup or other high viscosity liquid foodstuff







**References**

**Informative references**

Attention is drawn to the following places, which may be of interest for search:

Racks for dispensing merchandise from the bottom	<a href="#">A47F 1/08</a>
Separate pouring-spouts for cooking vessels	<a href="#">A47J 36/14</a>
Kitchen containers with dispensing devices	<a href="#">A47J 47/01</a>
Soap deliverers	<a href="#">A47K 5/06</a>

Closures with discharging devices	<a href="#">B65D 47/00</a>
Containers or packages with special means for dispensing contents	<a href="#">B65D 83/00</a>
Apparatus dispensing a predetermined volume of fluid or fluent solid material	<a href="#">G01F 11/00</a>

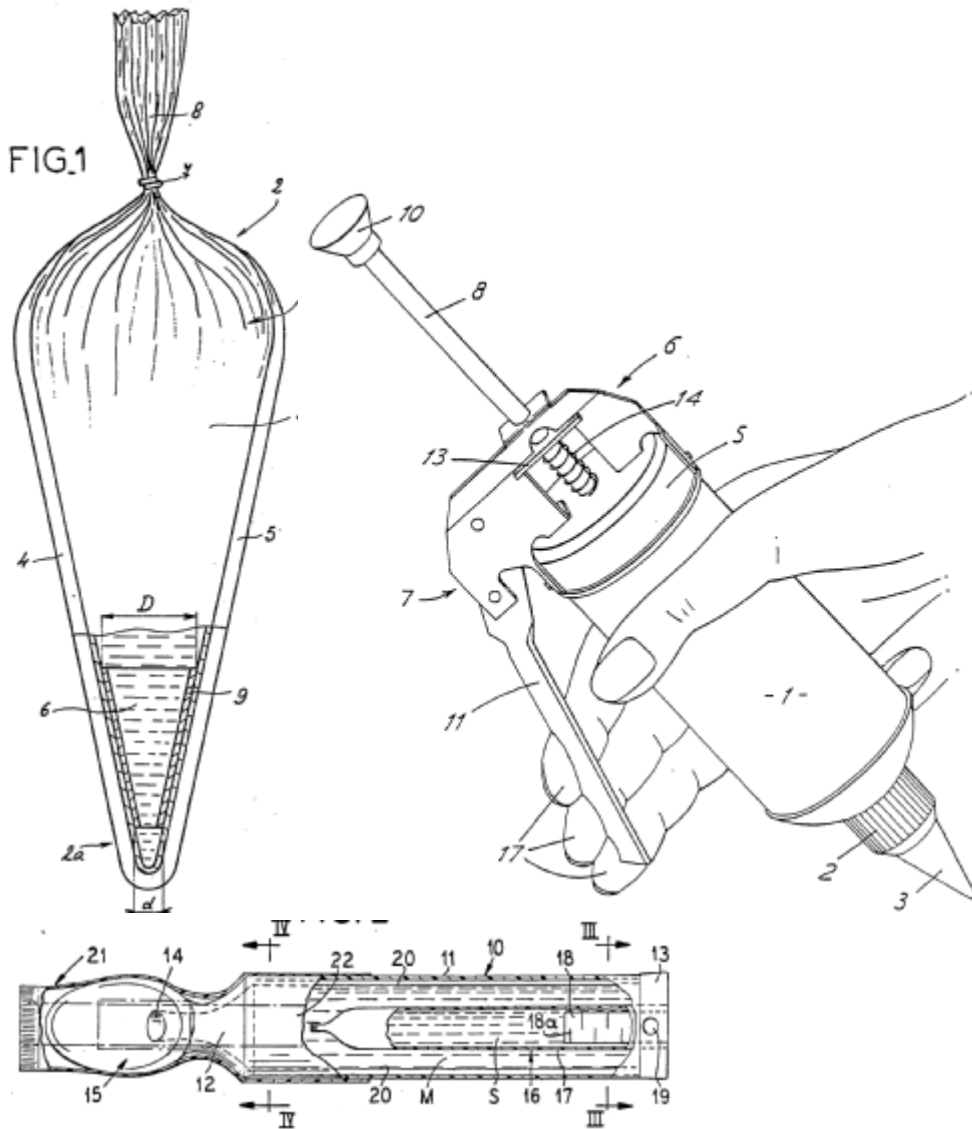
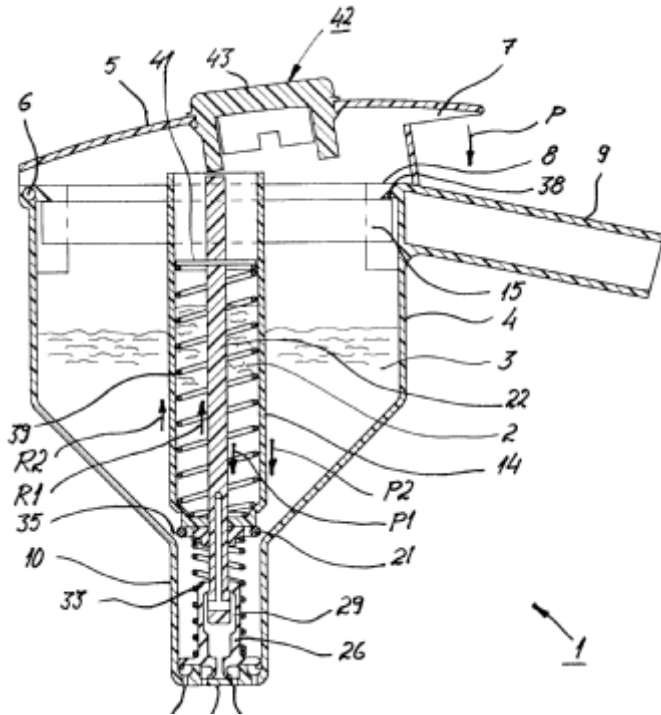
## **A47G 19/183**

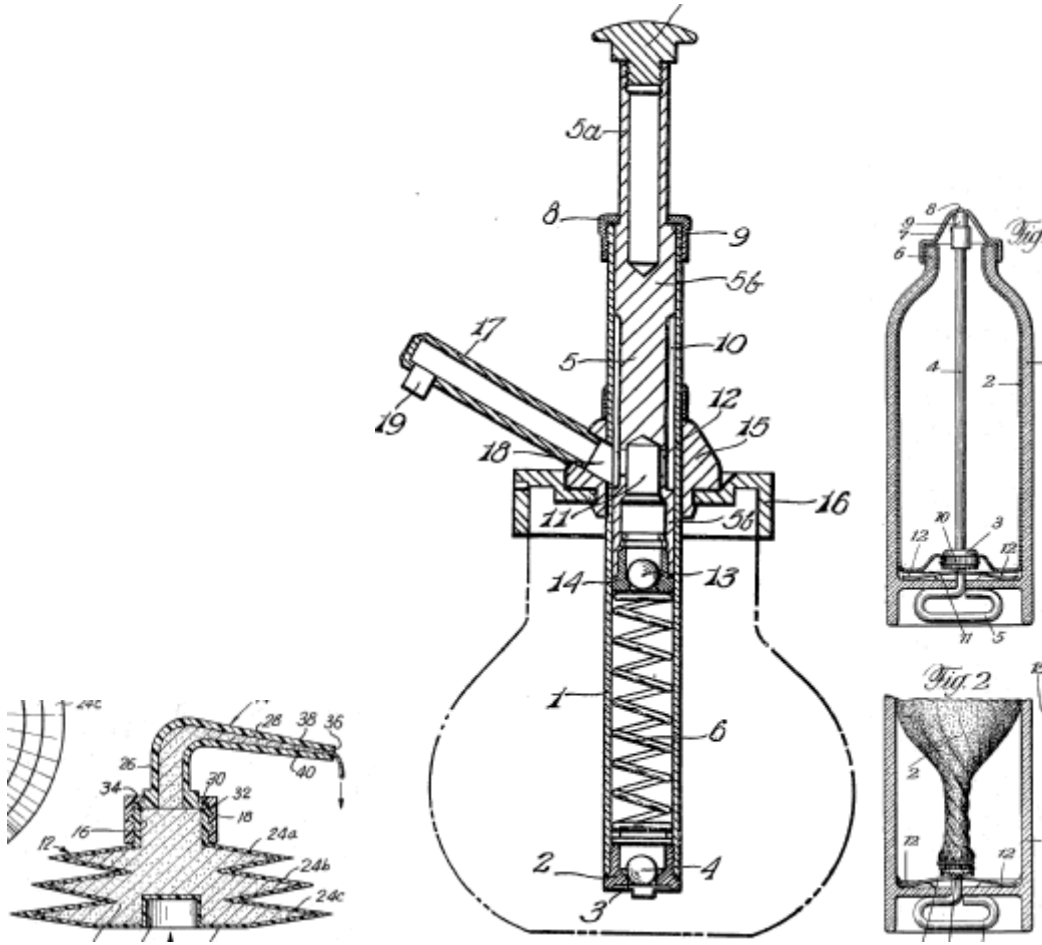
**{by applying external pressure, i.e. by pumping or squeezing}**

### **Definition statement**

*This place covers:*

- Containers with various types of pumps
- Squeezable containers





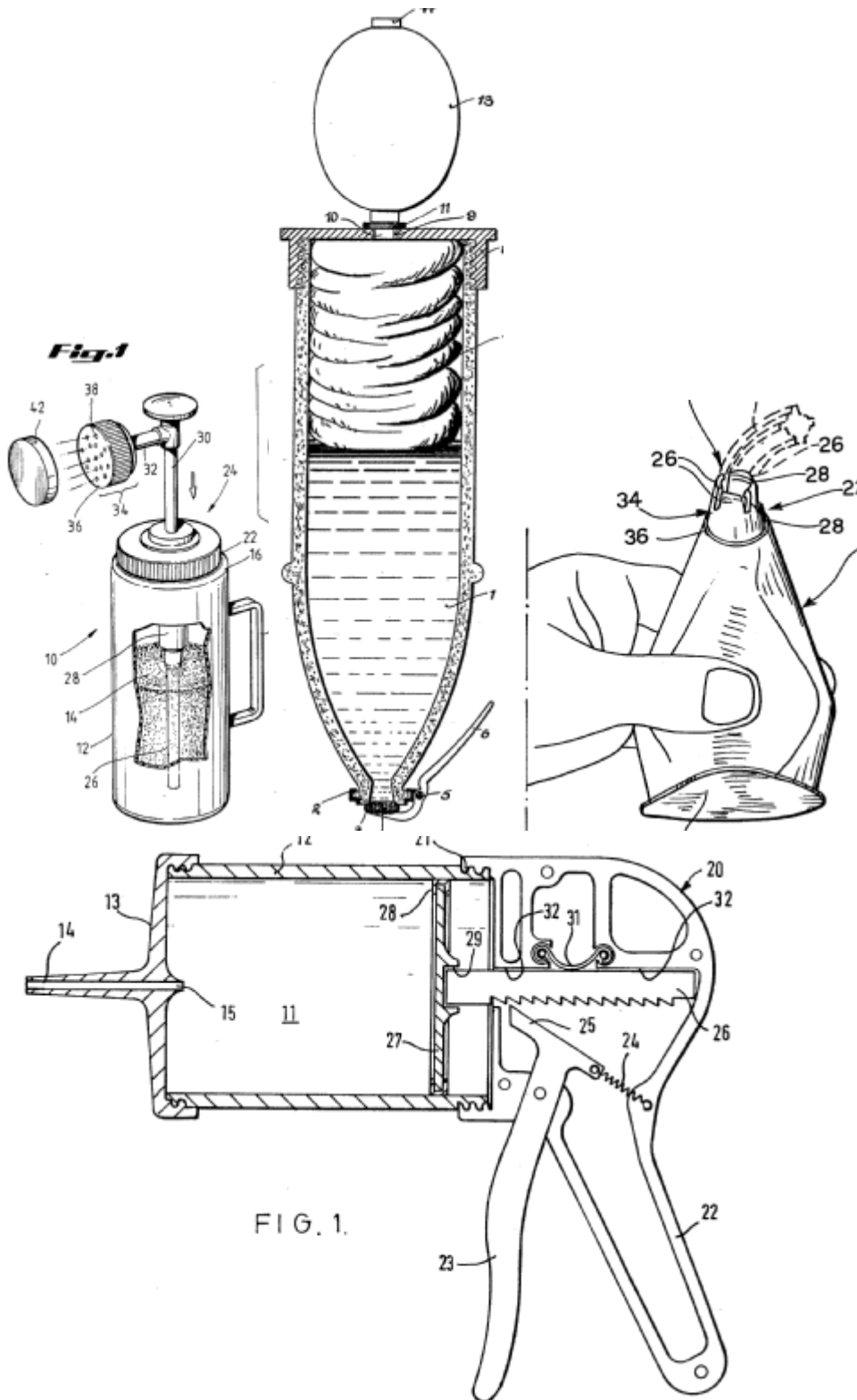
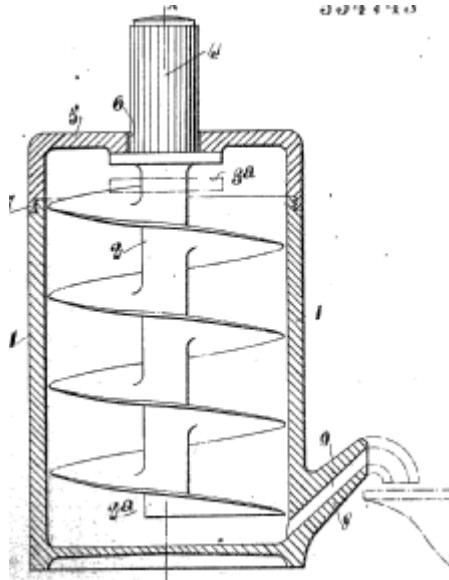
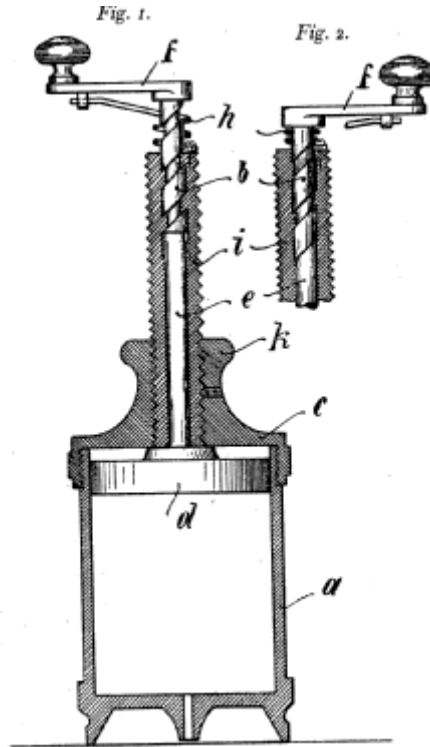
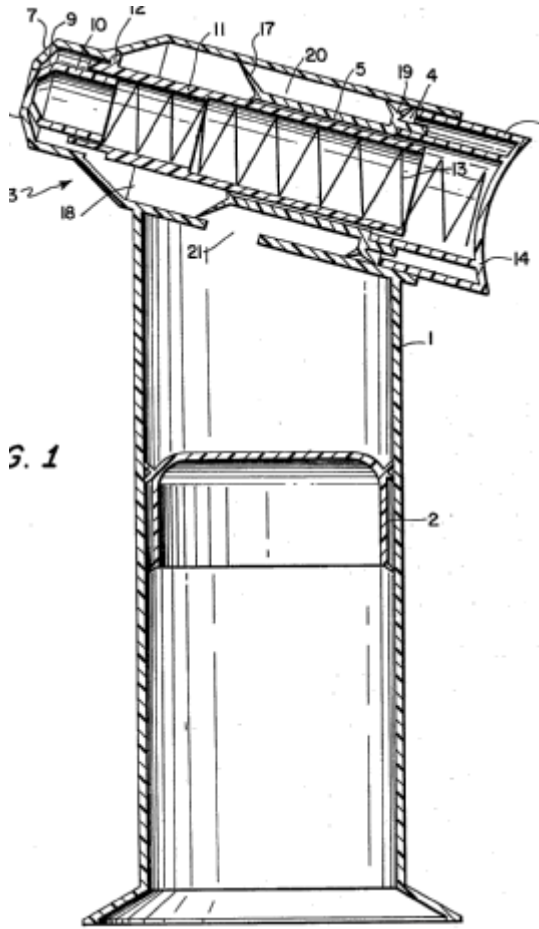
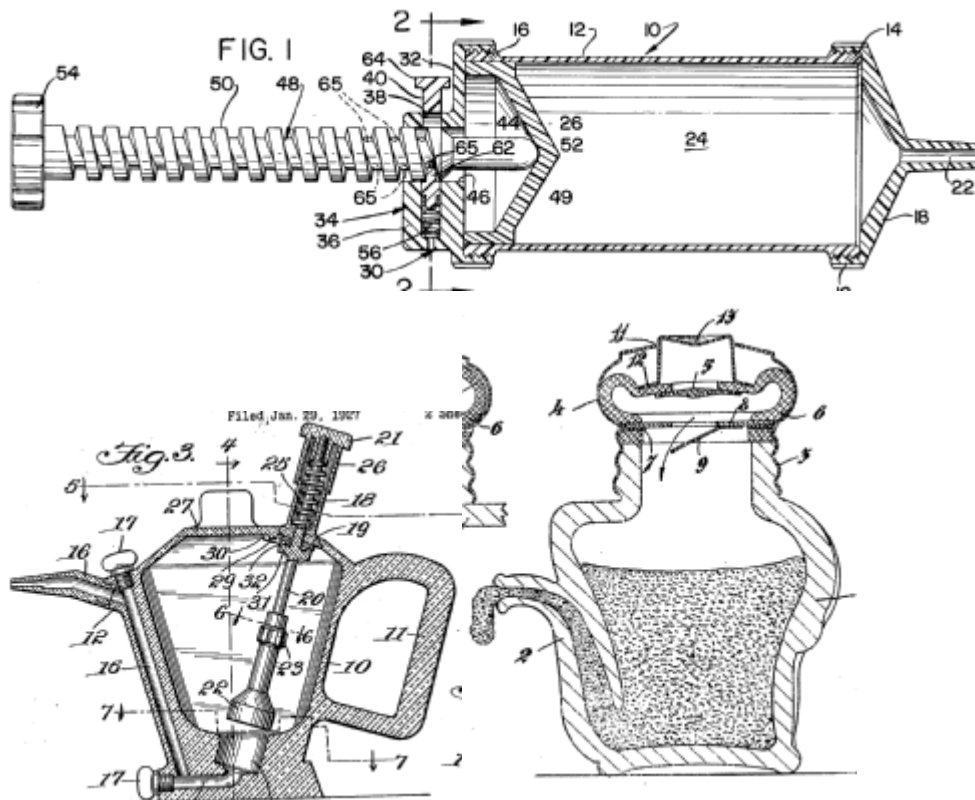


FIG. 1.





**References**

**Informative references**

Attention is drawn to the following places, which may be of interest for search:

Apparatus for decorating sweetmeats or confectionery	<a href="#">A23G 3/28</a>
Hand-held pumping apparatus, using the muscular energy of the operator	<a href="#">B05B 11/00</a>
Handtools for discharging contents	<a href="#">B05C 17/005</a>
Containers with special means for dispensing contents	<a href="#">B65D 83/00</a>
Devices for transferring liquids from bulk storage container by manually operable pumping apparatus	<a href="#">B67D 7/0205</a>

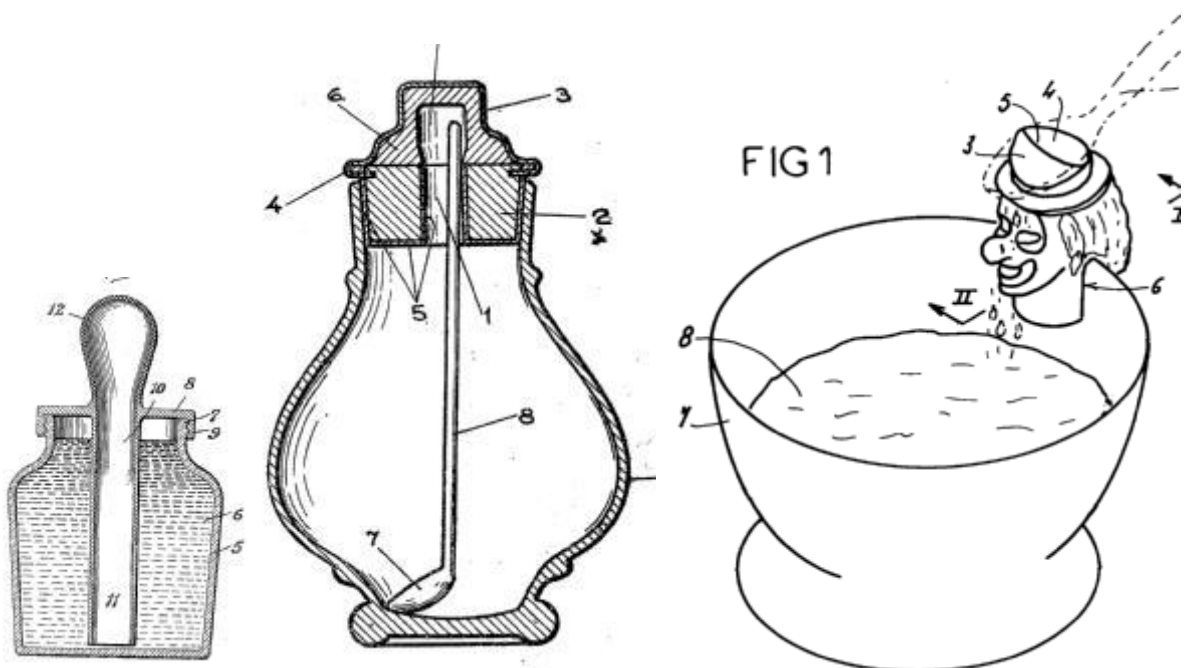
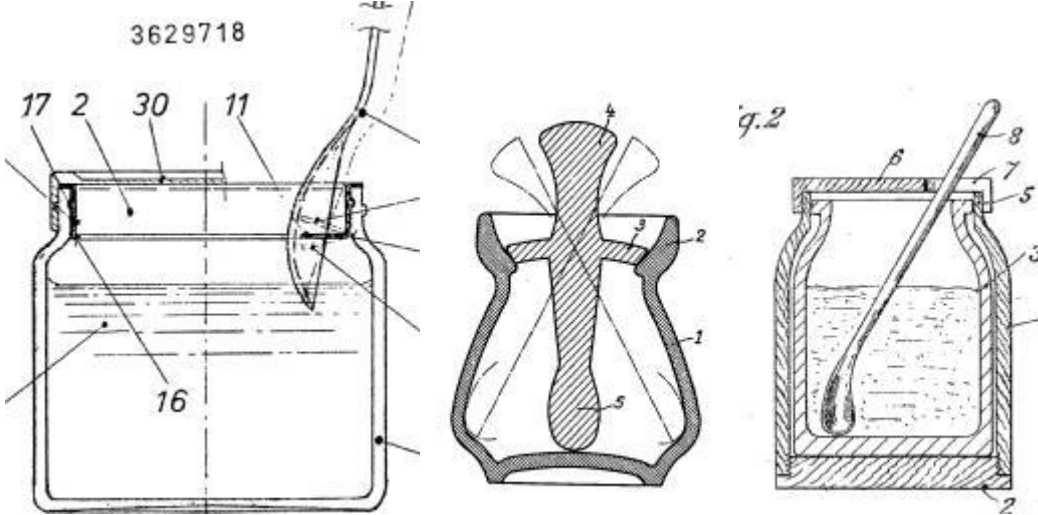
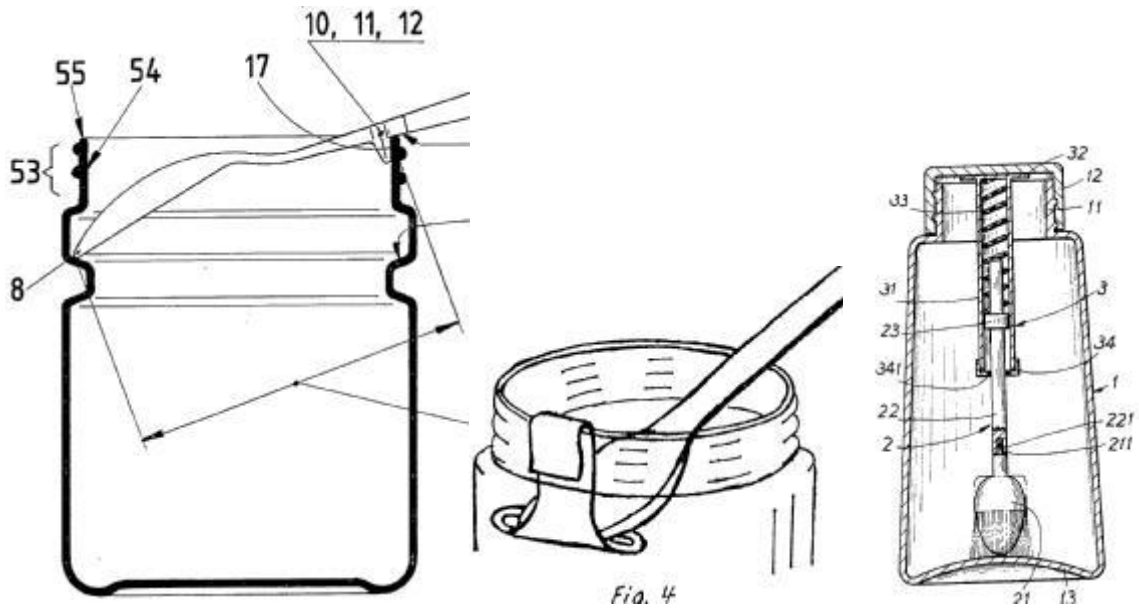
**A47G 19/186**

{combined with a spreading implement}

**Definition statement**

This place covers:

- Containers with integral or attachable supports or wipers for a spreading element
- Spreading implements attached to the lid of the container





## References

### Informative references

Attention is drawn to the following places, which may be of interest for search:

Holders for table utensils attachable to plates, jars or the like	<a href="#">A47G 21/145</a>
Holders for spoons or the like attached to cooking pots	<a href="#">A47J 43/287</a>
Brush holders (for/in paint cans)	<a href="#">B44D 3/12</a>
Details of bottles or jars not otherwise provided for	<a href="#">B65D 23/00</a>
Internal fittings of rigid or semi-rigid containers	<a href="#">B65D 25/02</a>
Lids or covers provided with eating utensils	<a href="#">B65D 51/242</a>
Closures combined with brushes or rods for applying or stirring contents	<a href="#">B65D 51/32</a>
Containers enclosing articles (spoons, forks, spatulas, drinking straws)	<a href="#">B65D 51/32</a>

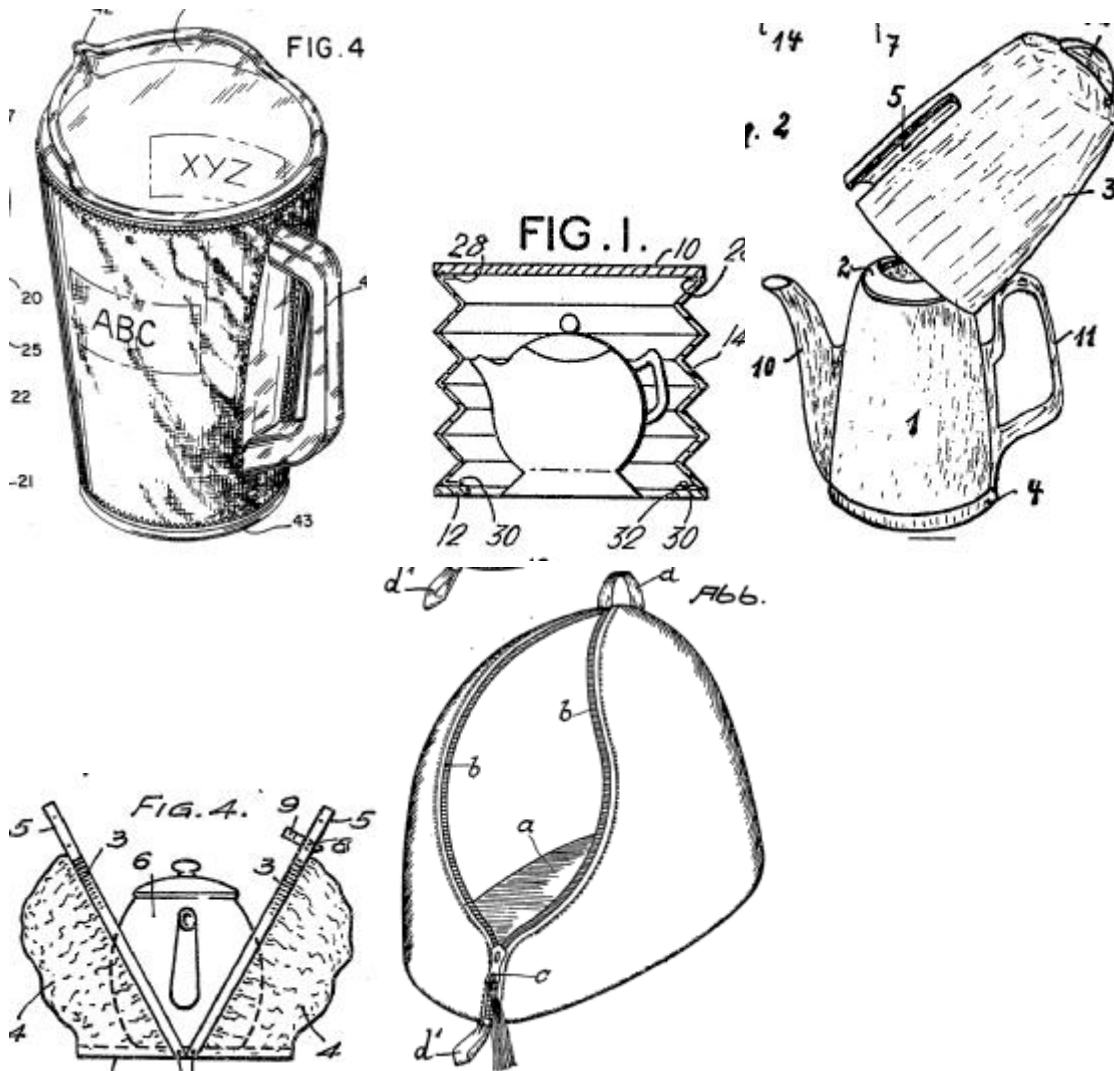
## A47G 19/20

### Tea or coffee pot cosies

#### Definition statement

*This place covers:*

- Insulating hoods or jackets for pitchers, coffee pots or tea pots



## References

### Informative references

Attention is drawn to the following places, which may be of interest for search:

Protective covers for food containers	<a href="#">A47G 19/26</a>
Protective covers for feeding-bottles	<a href="#">A61J 9/08</a>
Insulating sleeves or jackets for cans, bottles, barrels, etc	<a href="#">B65D 81/3876</a>

## A47G 19/22

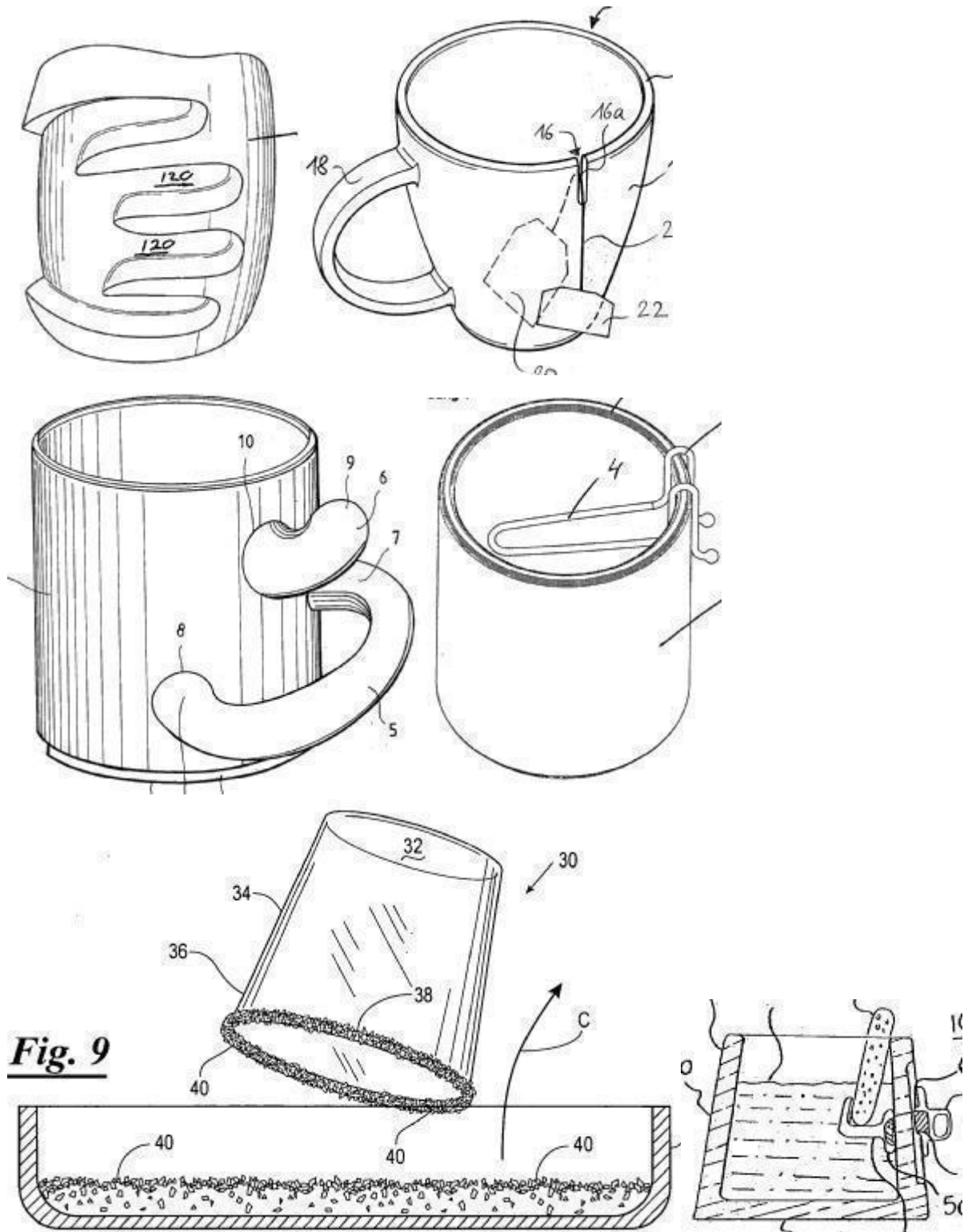
Drinking vessels or saucers used for table service (glass or drinking-vessel underlays [A47G 23/03](#) {; cups as travelling or camp articles [A45F 3/16](#); collapsible cups [A45F 3/20](#); cups made of plastics [B65D 1/265](#), made of paper [B65D 3/06](#); measuring cups [G01F 9/00](#)})

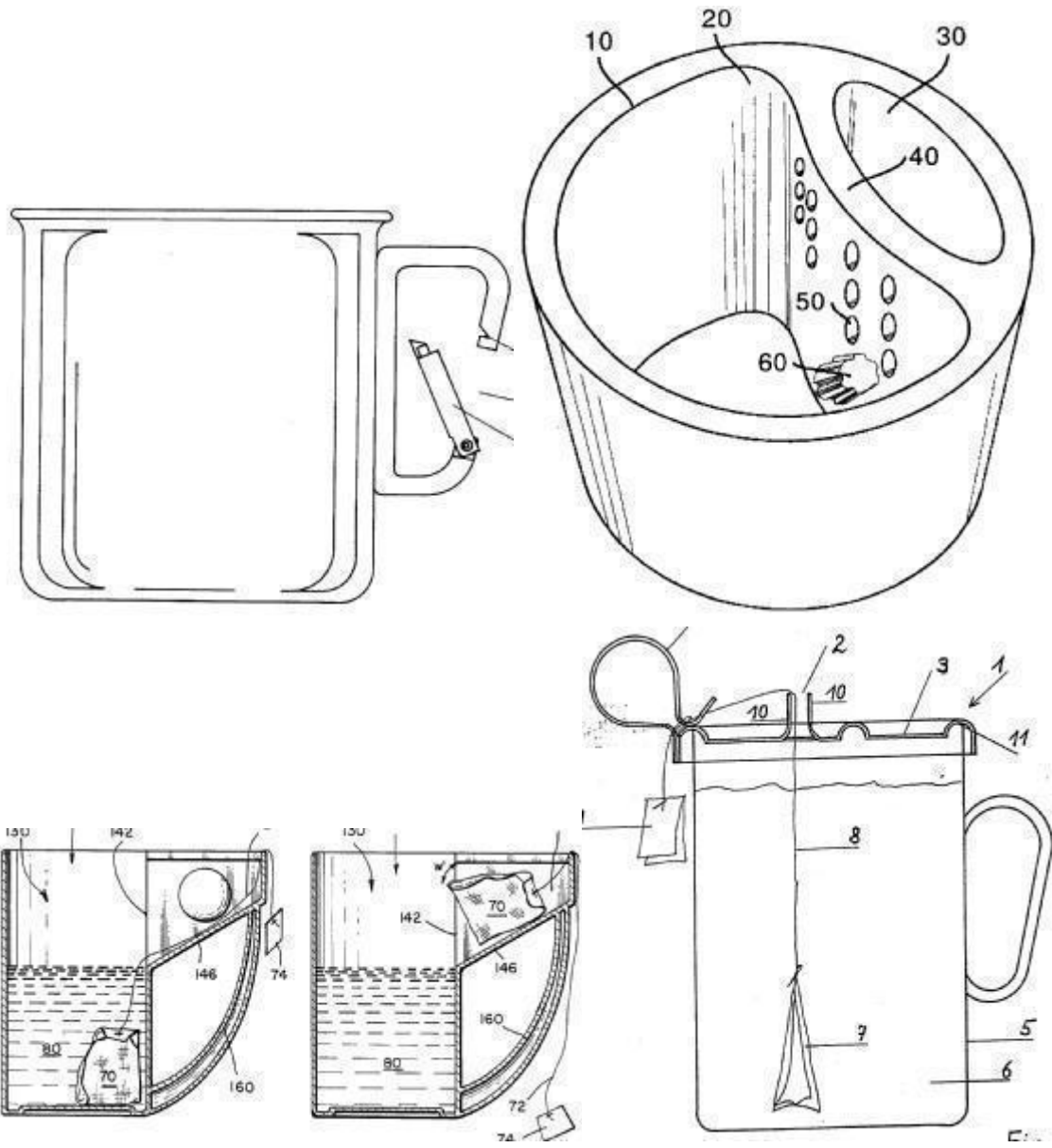
### Definition statement

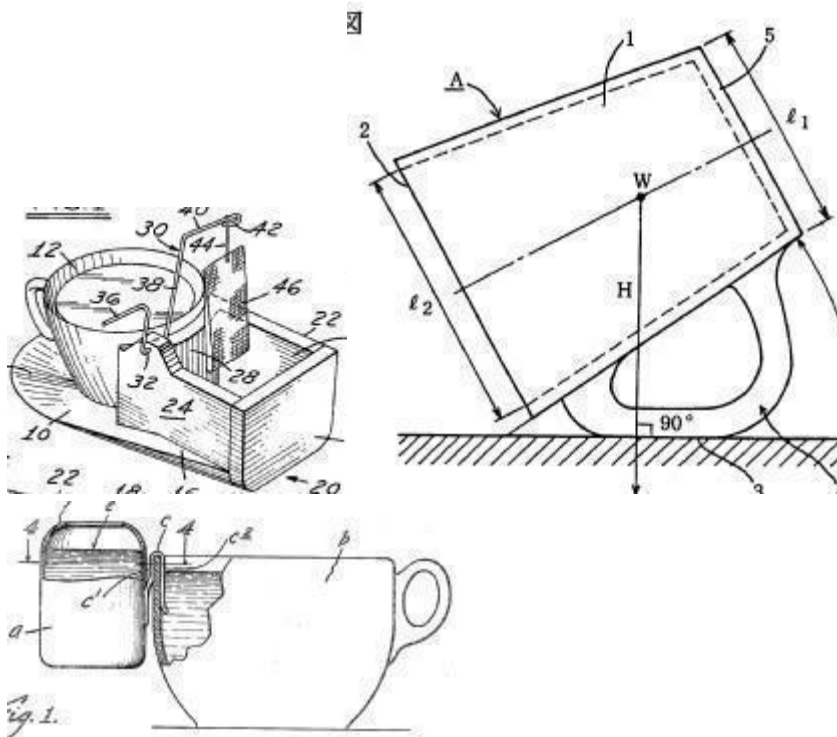
This place covers:

- Mechanisms for supporting on or submerging foodstuff into a drink (teabags, cookies, feuerzangenbowle, creamer, etc.)

- Details of handles
- Glass frosting devices
- Detachable covers/lids







## References

### Informative references

Attention is drawn to the following places, which may be of interest for search:

Non-integral handles for (disposable) cups	<a href="#">A47G 23/0216</a>
Glass or drinking-vessel underlays	<a href="#">A47G 23/03</a>
Cups as travelling or camp articles	<a href="#">A45F 3/16</a>
Collapsible travel cups	<a href="#">A45F 3/20</a>
Collapsible cups	<a href="#">A45F 3/20</a>
Handles for hollow-ware	<a href="#">A47J 45/06</a>
Detachable handle for hollow-ware	<a href="#">A47J 45/07</a>
Heat insulating handles for hollow-ware	<a href="#">A47J 45/07</a>
Cups for taking medicines	<a href="#">A61J 7/0046</a>
Disposable drinking cups	<a href="#">B65D 1/265</a>
Made of paper	<a href="#">B65D 3/06</a>
Containers for two or more different materials which must be maintained separate prior to use	<a href="#">B65D 81/32</a>
External fittings for containers	<a href="#">B65D 85/20</a> and <a href="#">B65D 85/22</a>
Teabags or the like with features facilitating their manipulation or suspension	<a href="#">B65D 85/812</a>
Measuring cups	<a href="#">G01F 9/00</a>
Advertising on tableware	<a href="#">G09F 23/08</a>

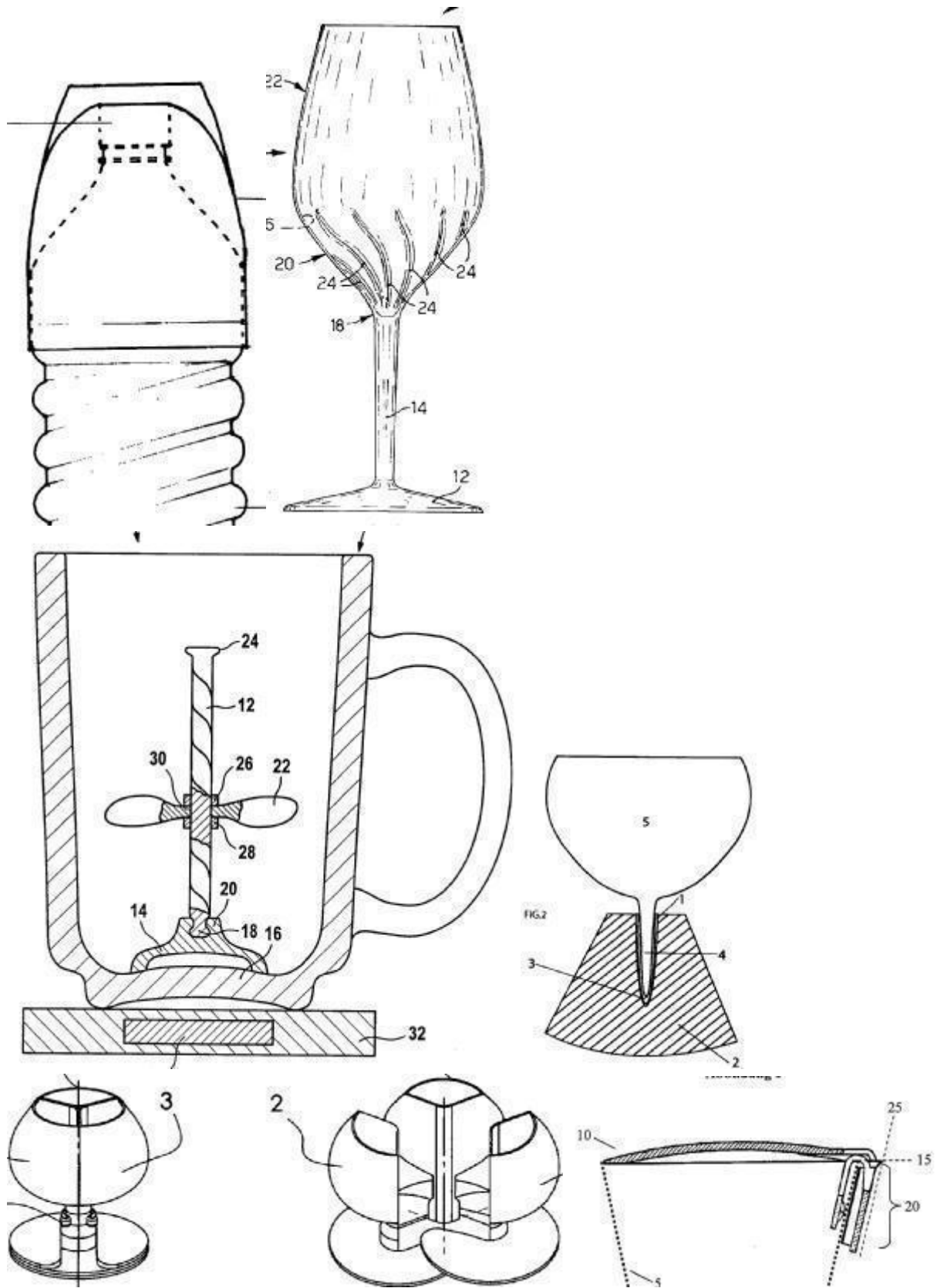
## A47G 19/2205

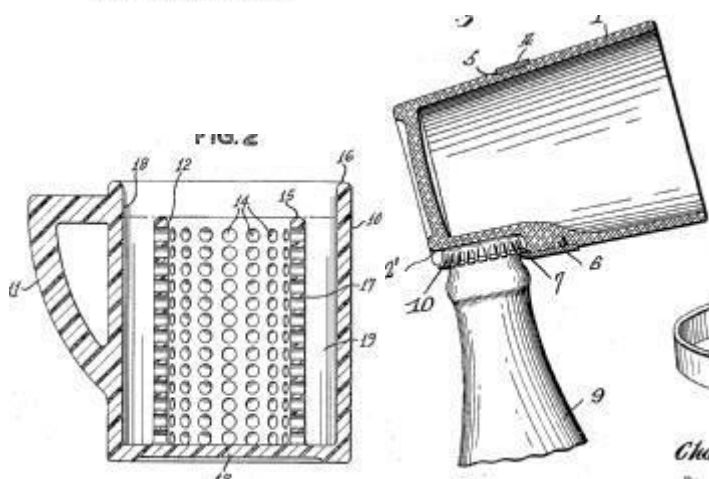
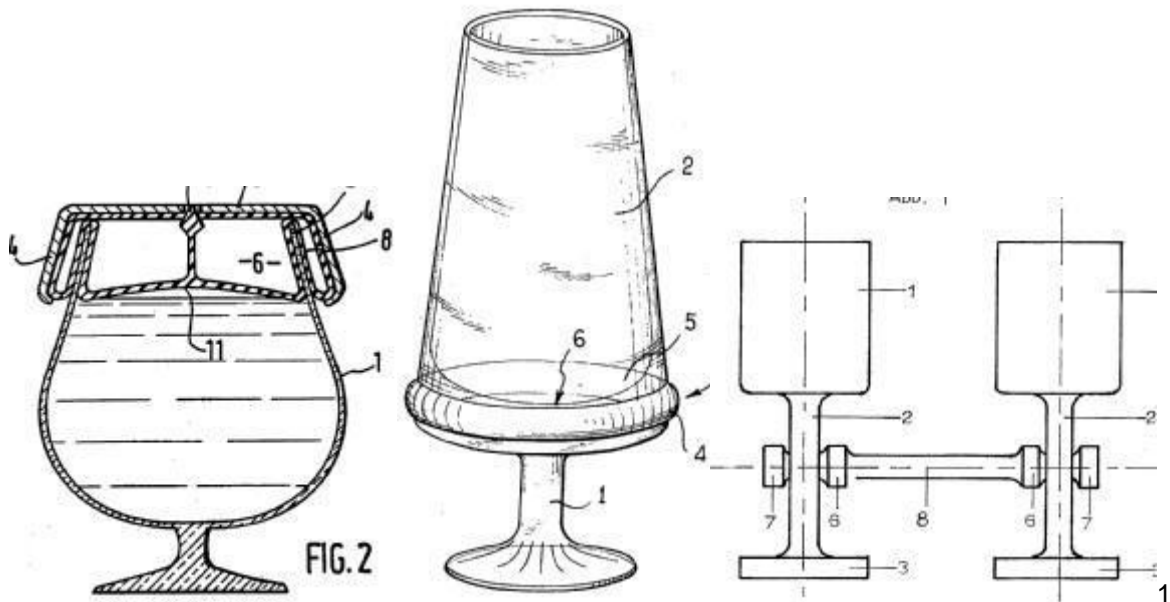
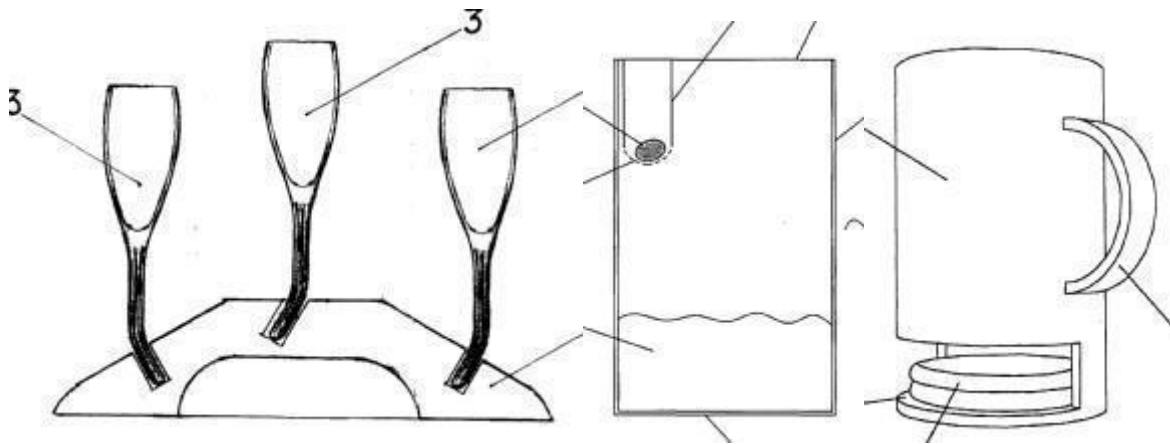
{Drinking glasses or vessels ([A47G 19/23](#) takes precedence)}

### Definition statement

*This place covers:*

- Tasting glasses
- Sealed, pre-filled (wine) glasses
- Drinking vessels with pivotable lids/covers
- Drinking vessels with mixing/stirring means
- Splash/spill proof cups/glasses
- Dual/multiple compartment vessels for multiple liquids, to be mixed during drinking or to be consumed separately
- Vessels with integral compartments for holding additional items (for example foodstuff to be consumed together with the liquid)
- Vessels with specially shaped bottoms, which can only rest in corresponding supports
- Glasses snapping onto other articles e.g. bottles
- Bottles convertible into glasses
- Glasses with reinforcements to avoid breaking
- Glasses for administering medicine (swallowing pills or the like)
- Sets of glasses for (simultaneous) use by couples or groups





**References**

**Informative references**

Attention is drawn to the following places, which may be of interest for search:

Of stackable type	<a href="#">A47G 19/23</a>
Non-integral handles for (disposable) cups	<a href="#">A47G 23/0216</a>
Communion cups	<a href="#">A47G 33/002</a>



## Informative references

Collapsible travel cups	<a href="#">A45F 3/20</a>
Hand-held shakers for mixing drinks	<a href="#">A47J 43/27</a>
Glasses for holding a tooth brush	<a href="#">A47K 1/09</a>
Cups for taking medicines	<a href="#">A61J 7/0046</a>
Disposable drinking cups	<a href="#">B65D 1/265</a>
Caps or cap-like covers serving as, or incorporating, drinking vessels	<a href="#">B65D 41/26</a> or <a href="#">B65D 41/56</a>
Closures not otherwise provided for	<a href="#">B65D 51/00</a> (Loosely-engaging, hinged lids <a href="#">B65D 51/04</a> )
Portable (adapted to be carried personally) containers using cold materials	<a href="#">F25D 3/08</a>
Advertising on tableware	<a href="#">G09F 23/08</a>

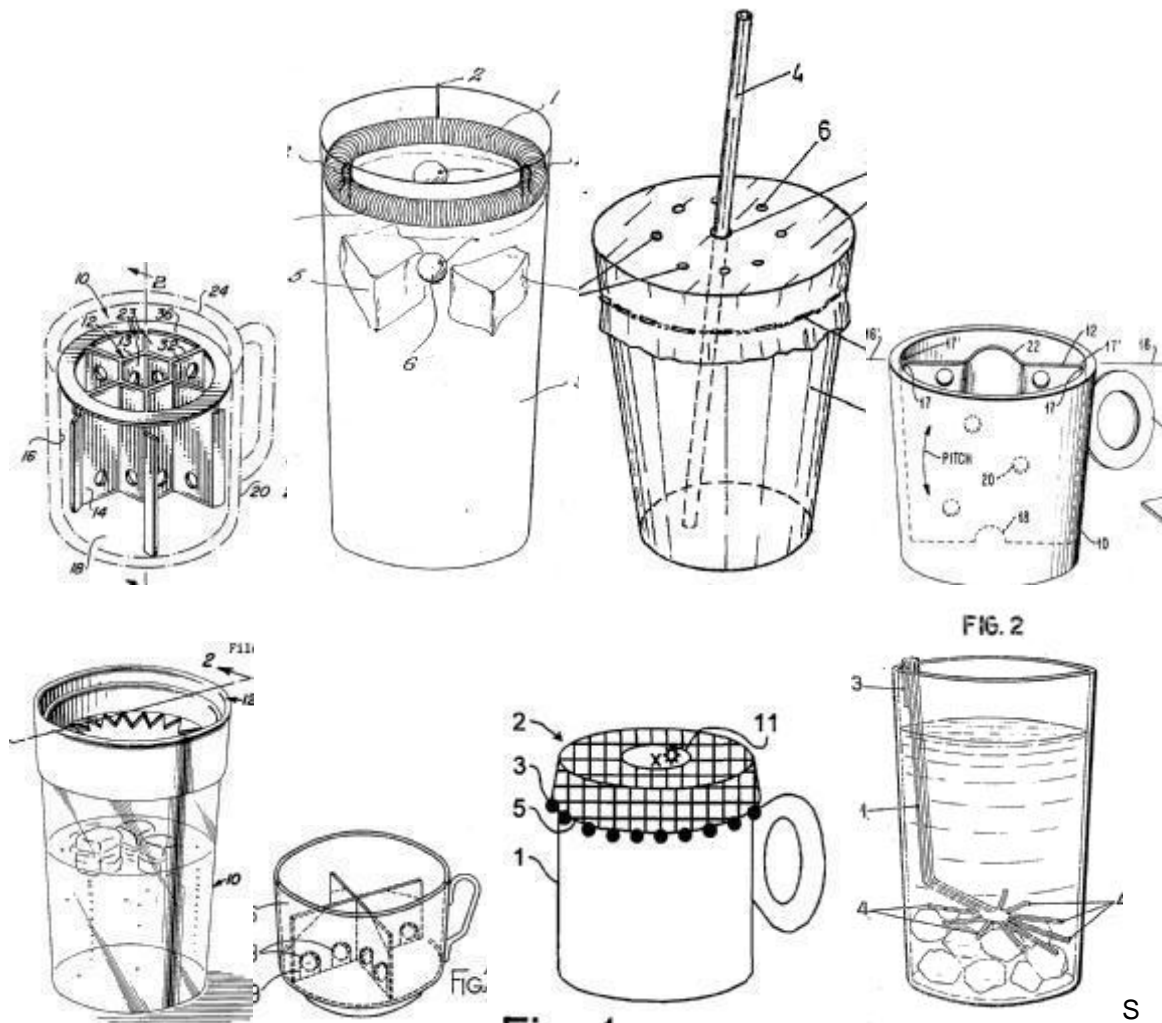
**A47G 19/2211**

**{Lip- or moustache-protecting devices for drinking glasses; Strainers set in a movable or fixed manner in the glasses}**

**Definition statement**

*This place covers:*

- Strainers to retain ice cubes or the like in glasses
- Anti spiking covers for drinking glasses
- Anti splash devices to be mounted on or in drinking glasses
- Net covers preventing entry of insects



## References

### Informative references

Attention is drawn to the following places, which may be of interest for search:

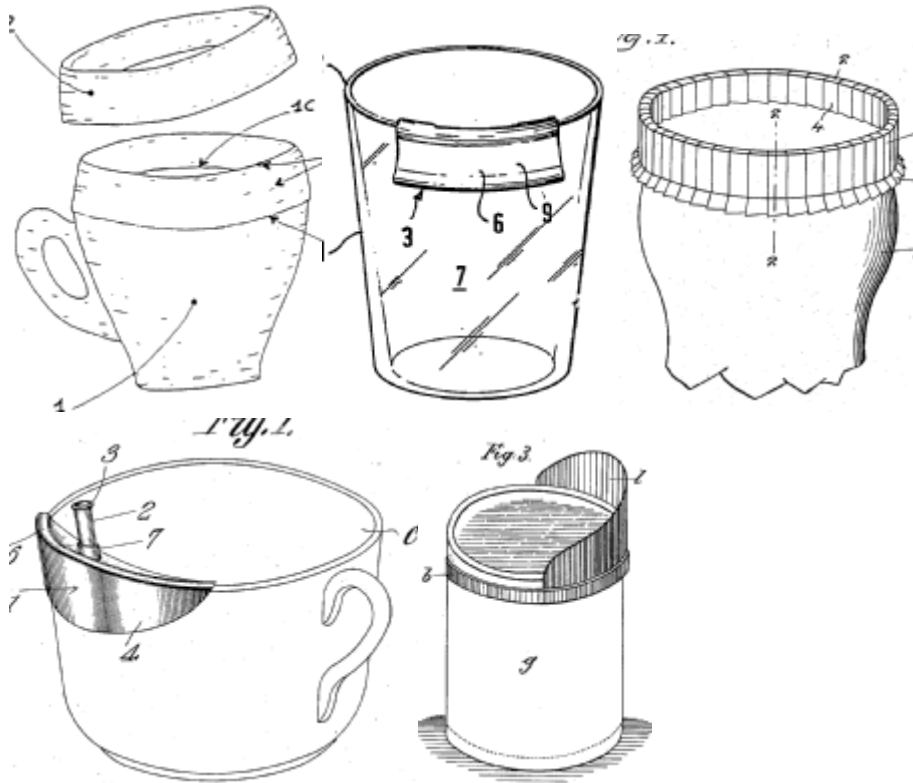
Splash or ice guards for pitchers	<a href="#">A47G 19/12</a>
Internal fittings for containers	<a href="#">B65D 25/02</a>
Separable nozzles or spouts for containers	<a href="#">B65D 25/48</a>
Removable lids or covers	<a href="#">B65D 43/02</a>
Closures with pouring spouts	<a href="#">B65D 47/06</a>
Closures not otherwise provided for	<a href="#">B65D 51/00</a>
Splatter shield or deflector	220/731 (UC)
Mustache guard	D7/396.3 (UC)
Internal anti-splash or anti-spill device	220/719 (UC)

**A47G 19/2216**

{Sanitary lip guards mounted on the rim ([A47G 19/2266](#) takes precedence)}

**Definition statement**

*This place covers:*

**References****Informative references**

*Attention is drawn to the following places, which may be of interest for search:*

Means for facilitating drinking, e.g. for infants or invalids	<a href="#">A47G 19/2266</a>
Separate nozzles or spouts for containers	<a href="#">B65D 25/48</a>
Sanitary lip guards	220/716 (UC)
Mustache guards	D7/396.3 (UC)

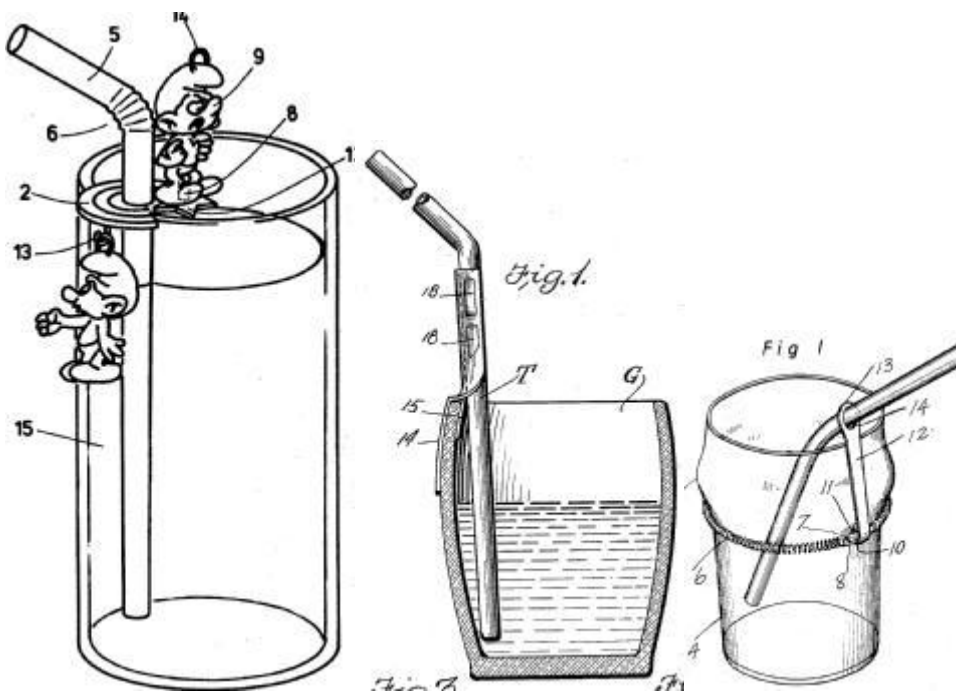
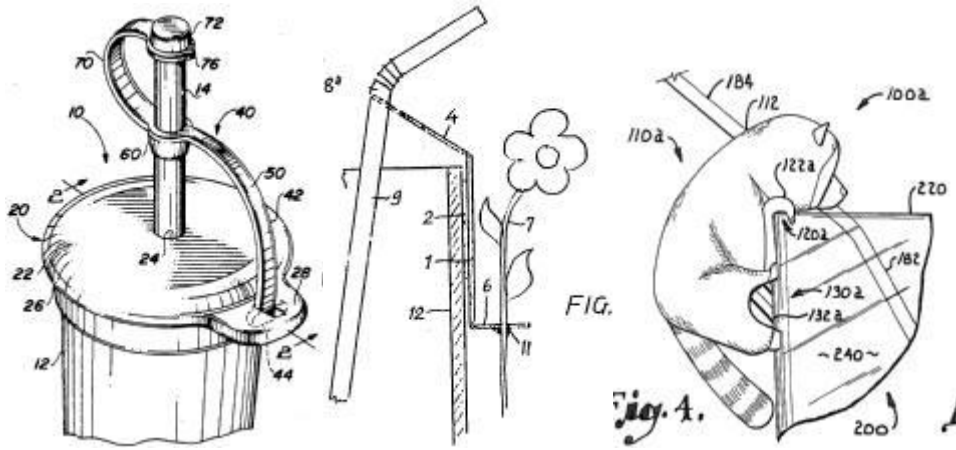
**A47G 19/2222**

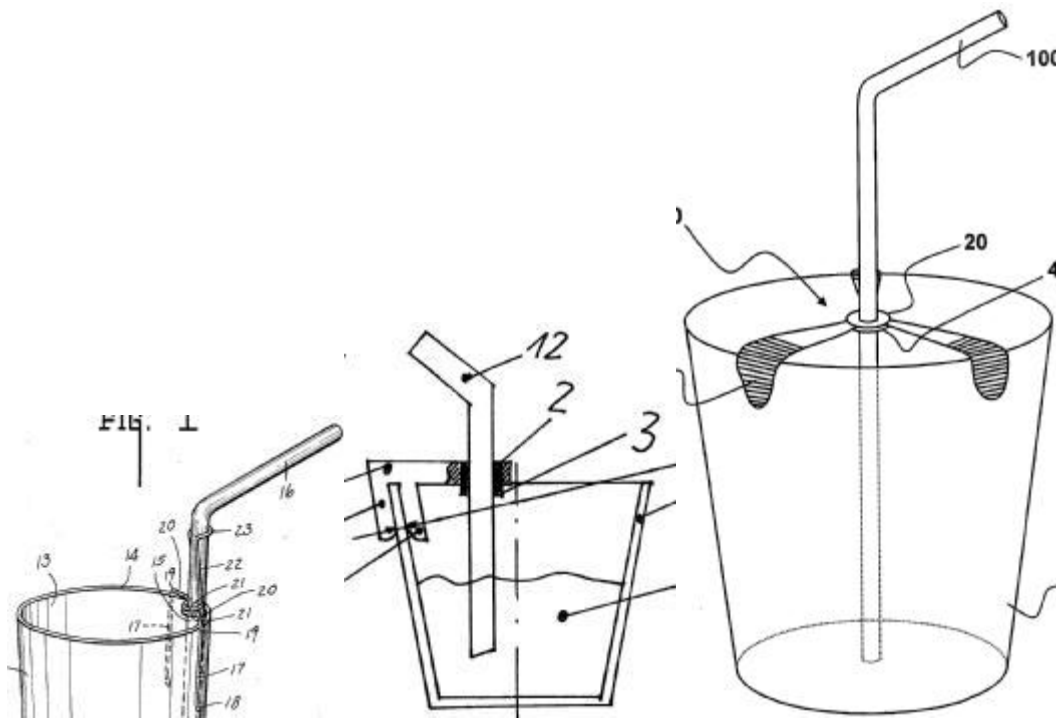
{Straw holders therefor}

**Definition statement**

*This place covers:*

- Straw holders in the form of clips, clamps, (partial) covers, etc.
- Some straw holders for bottles, cans, etc. as well





## References

### Informative references

Attention is drawn to the following places, which may be of interest for search:

Holders or carriers for hand articles	<a href="#">A47F 5/00</a>
Drinking straws incorporated during the filling of containers	<a href="#">B65D 77/28 (C)</a>

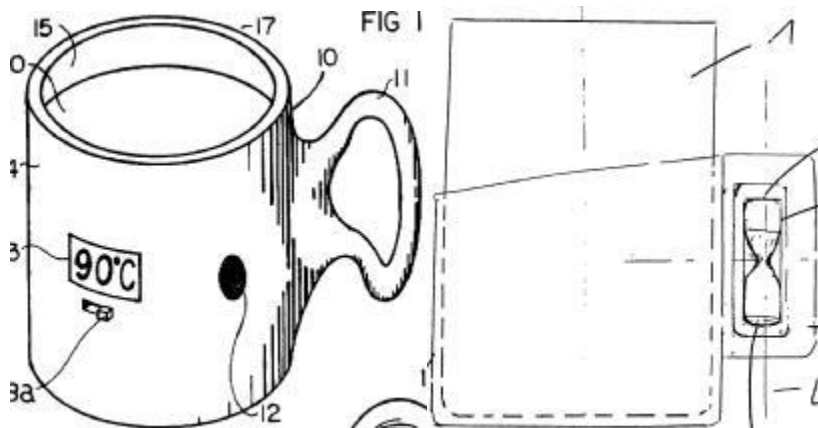
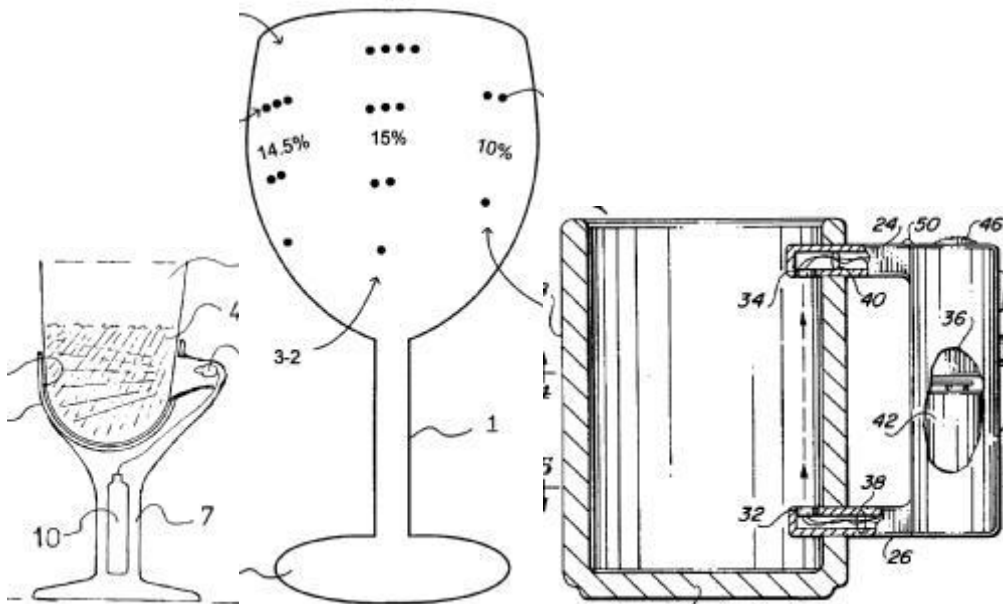
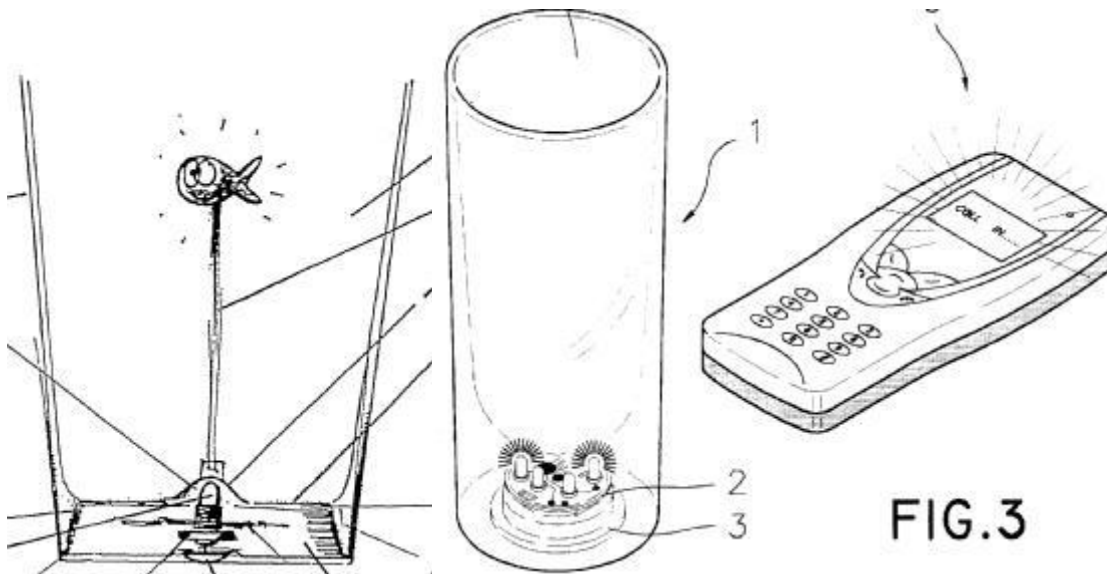
## A47G 19/2227

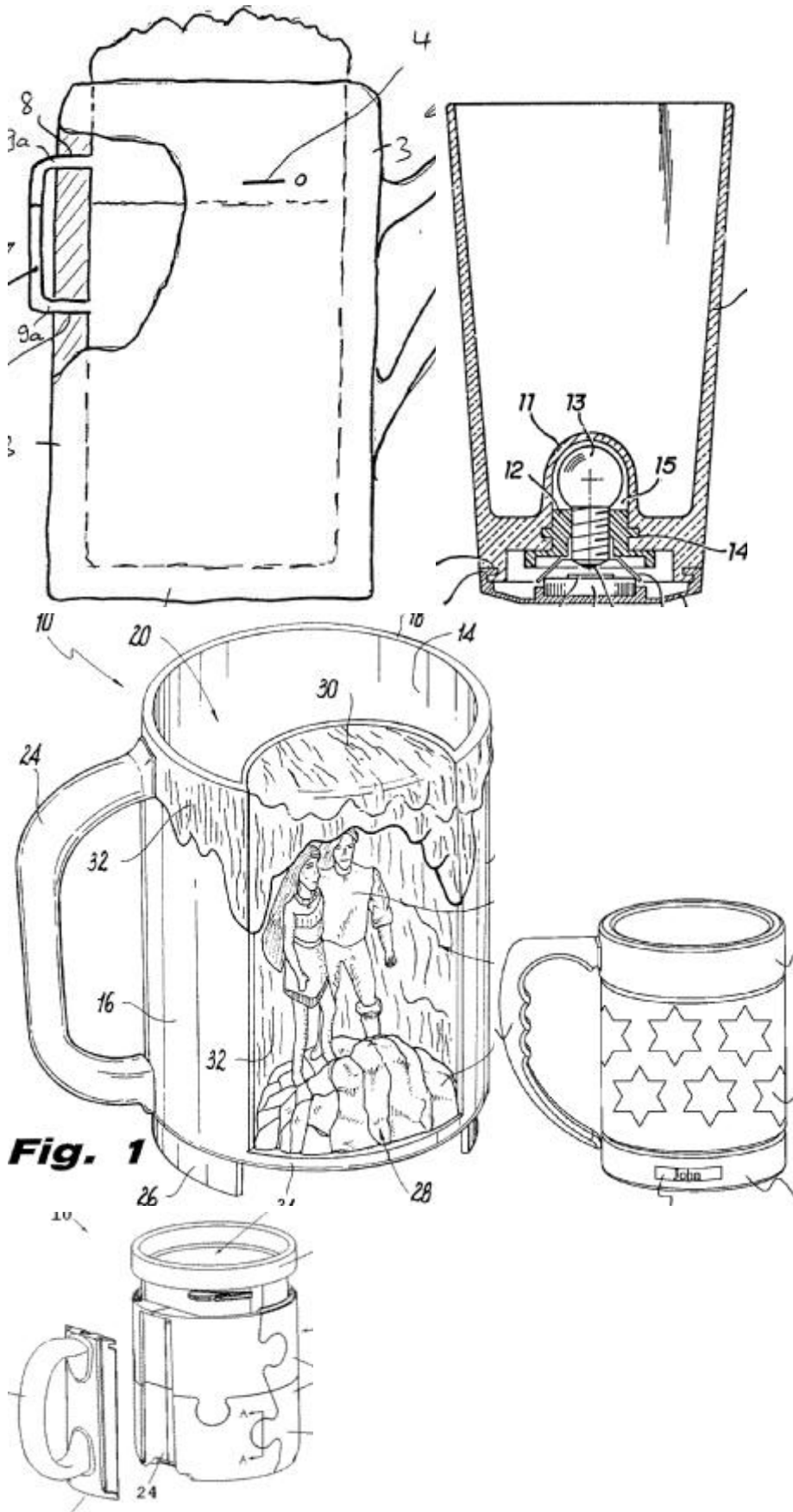
{with means for amusing or giving information to the user ([A47G 23/16](#) takes precedence)}

### Definition statement

*This place covers:*

- Drinking vessels combined with toys or games
- Drinking vessels with (exchangeable) commercial, decorative or informative inserts
- Drinking vessels for couples
- Drinking vessels with mainly decorative aspects
- Drinking vessels with:
  - Illumination
  - Sound
  - Thermometers
  - Liquid level indicators
  - Timers
  - Transmitters
  - Identification means





**Fig. 1**

## References

### Informative references

Attention is drawn to the following places, which may be of interest for search:

Combined with drinking vessels or with lids therefor	<a href="#">A47G 23/16</a>
Games or toys	<a href="#">A63F</a> , <a href="#">A63H</a>
Processes for producing special ornamental bodies	<a href="#">B44C 5/00</a>
Changing, amusing, or secret pictures	<a href="#">B44F 1/10</a>
Inserts or accessories added or incorporated during filling of containers	<a href="#">B65D 77/24</a>
Containers, or parts thereof, simulating or being incorporated into other items	<a href="#">B65D 81/365</a>
Light sources using chemiluminescence	<a href="#">F21K 2/06</a>
Lighting devices combined with other articles	<a href="#">F21V 33/00</a> (Ice cubes <a href="#">F21V 33/0028</a> )
Measuring-cups	<a href="#">G01F 19/00</a>
Advertising on tableware	<a href="#">G09F 23/08</a>
Electroluminescent light sources	<a href="#">H05B 33/00</a>

## A47G 19/2233

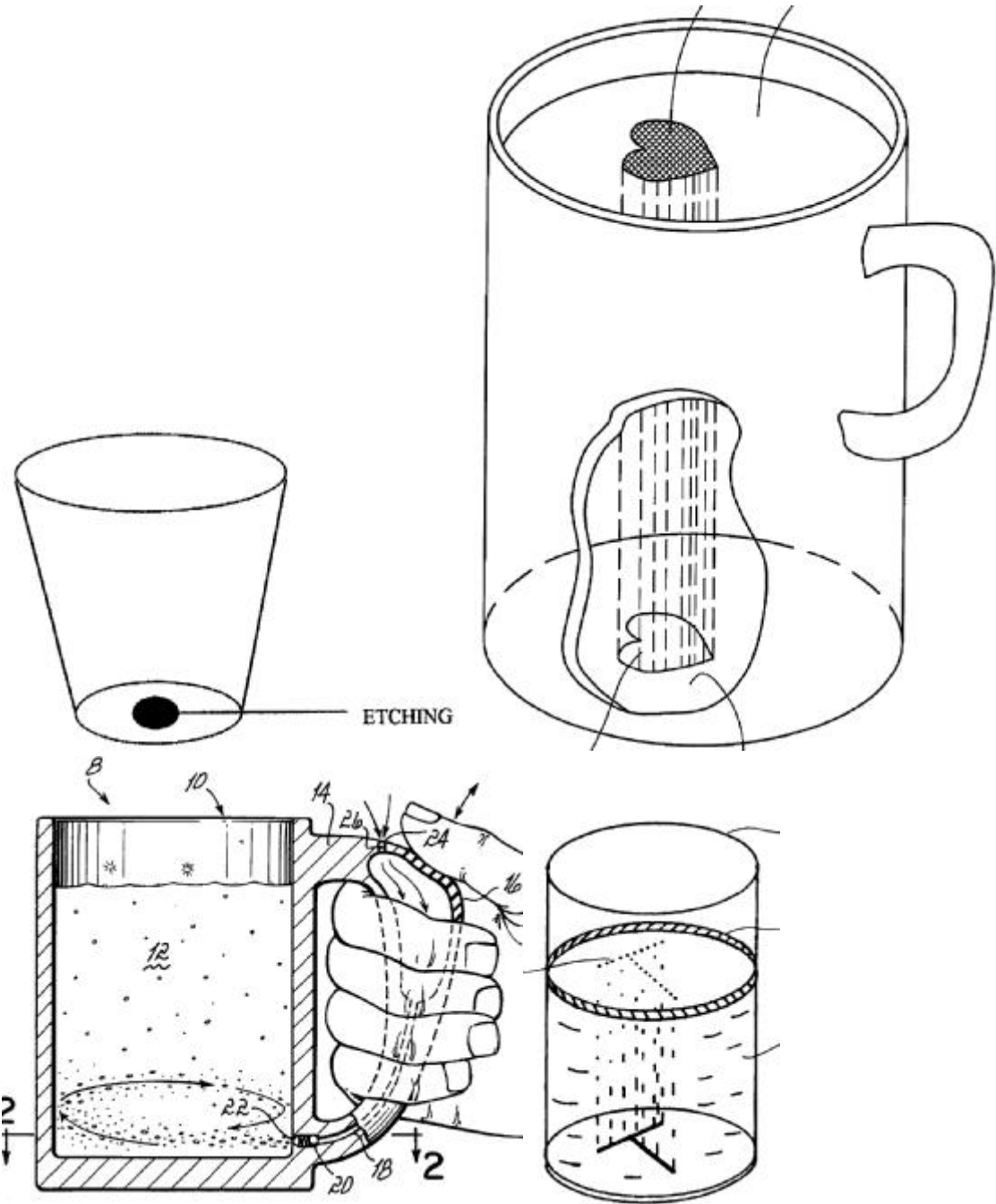
{related to the evolution of bubbles in carbonated beverages}

### Definition statement

This place covers:

- Drinking glasses treated to induce bubble formation on part of the bottom or side of the glass
- Drinking glasses with means for injecting air into the drink





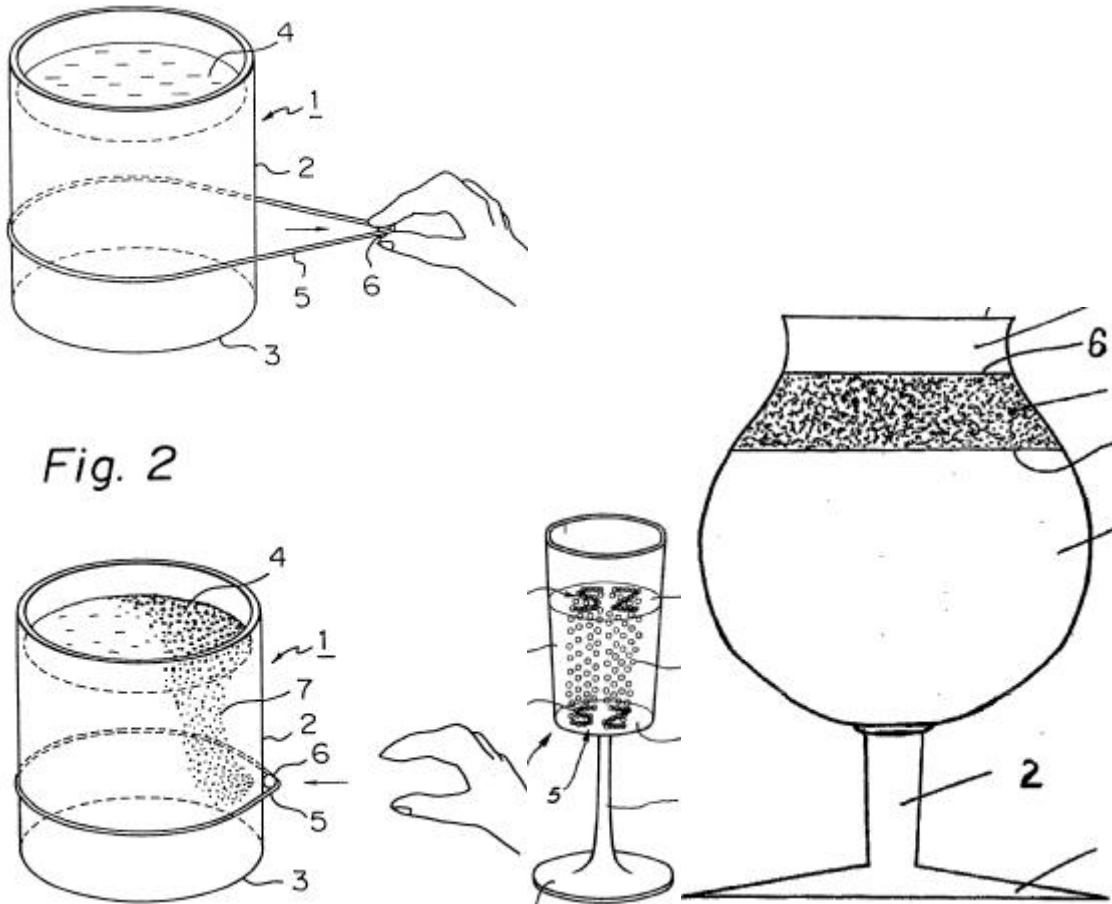


Fig. 2

**References**

**Informative references**

Attention is drawn to the following places, which may be of interest for search:

Working by laser beam, e.g. welding, cutting, boring	<a href="#">B23K 26/00</a>
Printing on glass or ceramic surfaces	<a href="#">B41M 1/34</a>
Details of bottles or jars not otherwise provided for	<a href="#">B65D 23/00</a>
Packages with special means for effervescing the content, e.g. for forming bubbles	<a href="#">B65D 25/02</a>
Containers with means specially adapted for effervescing the liquids, e.g. for forming bubbles or beer head	<a href="#">B65D 85/73</a>
Surface treatment of glass by etching	<a href="#">C03C 15/00</a>
Surface treatment of glass by sand-blasting, grinding or the like	<a href="#">C03C 19/00</a>
Other drinking vessels	A47G19/22&Z (FI)

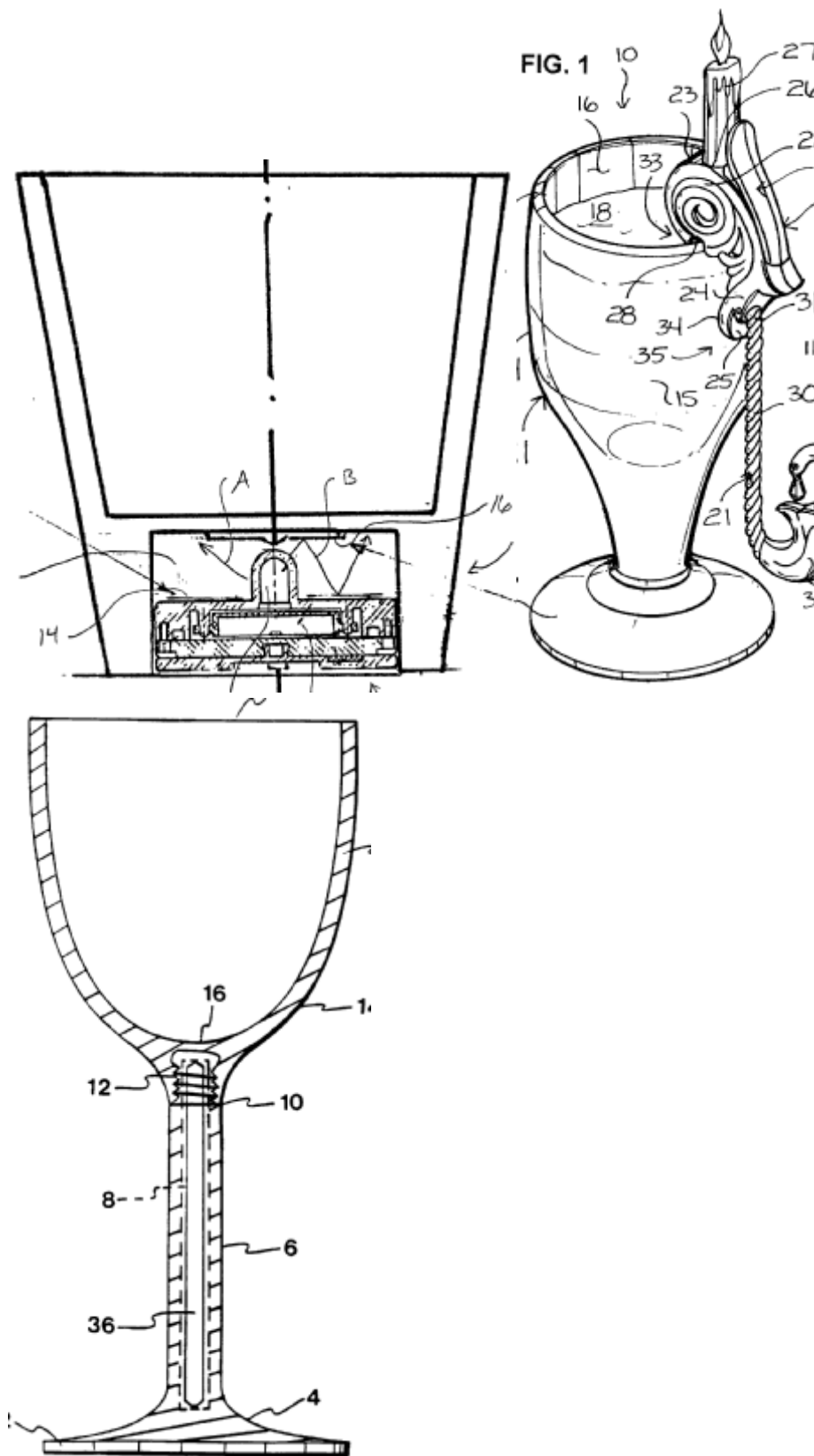
**A47G 2019/2238**

{with illumination means}

**Definition statement**

This place covers:

- Drinking vessels comprising various types of illumination



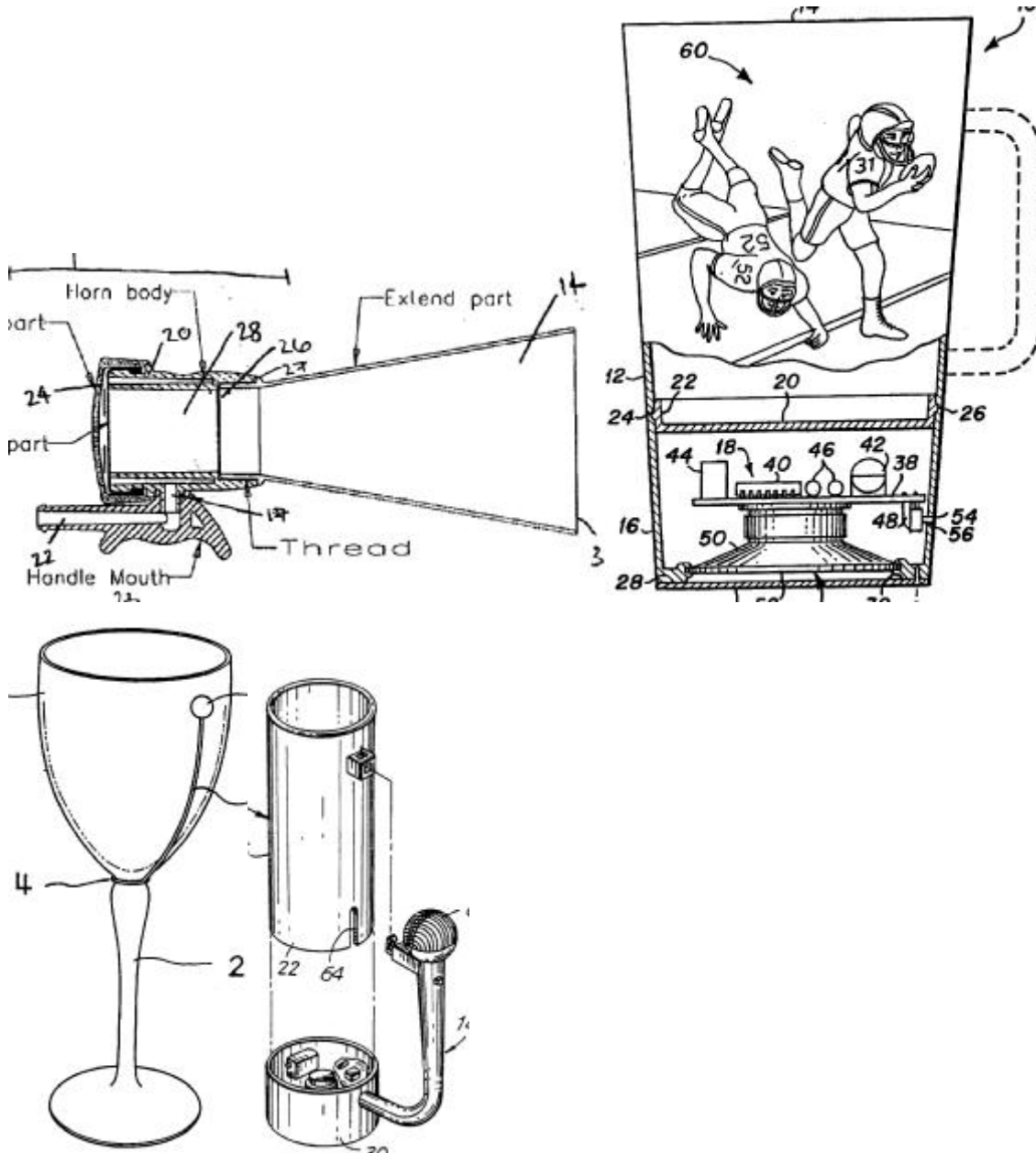
## A47G 2019/2244

{with sound emitting means}

### Definition statement

This place covers:

- Drinking vessels comprising various means for producing sound



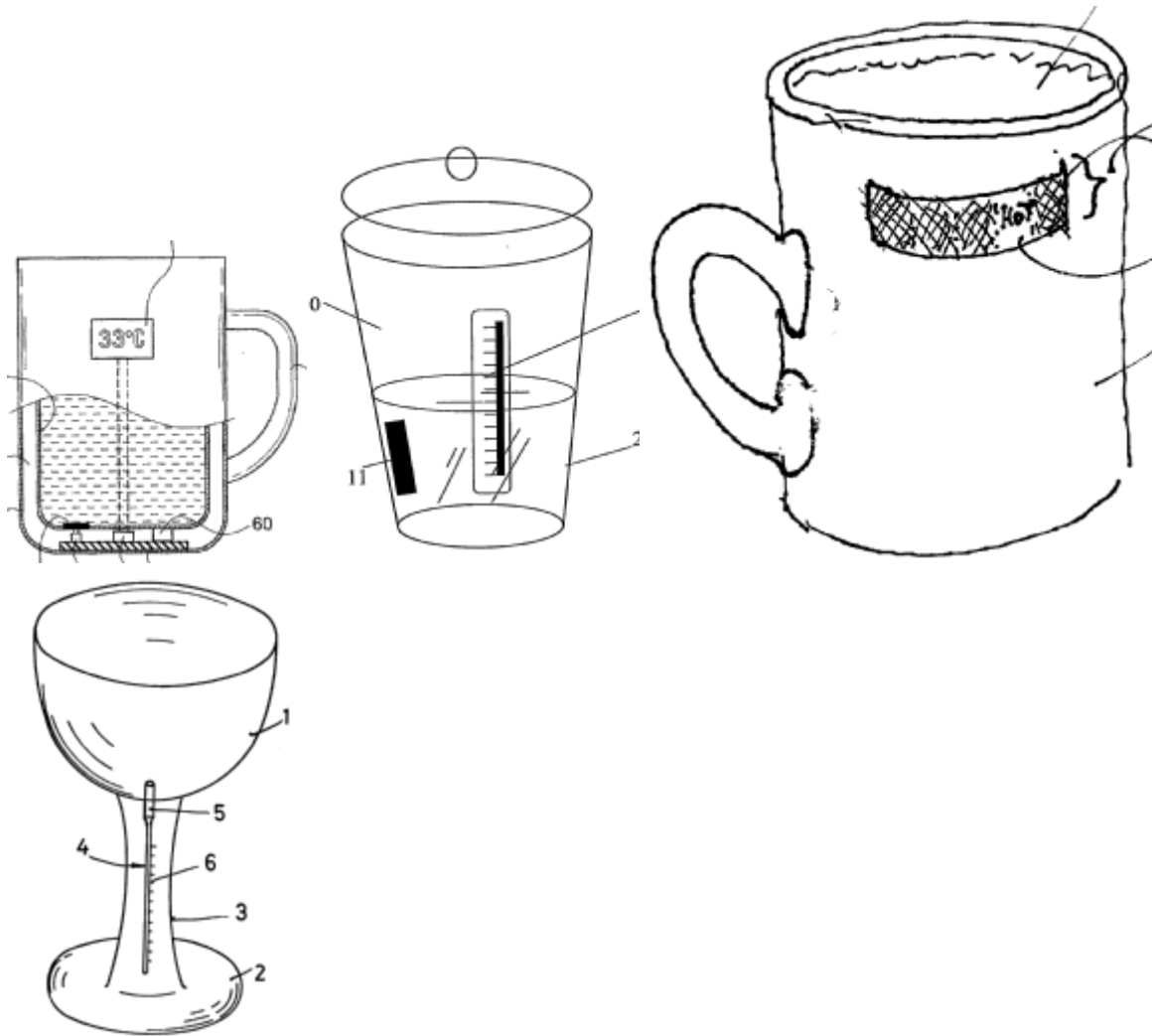
## A47G 2019/225

{vessels with thermometers}

### Definition statement

This place covers:

- Drinking vessels comprising temperature indicating means



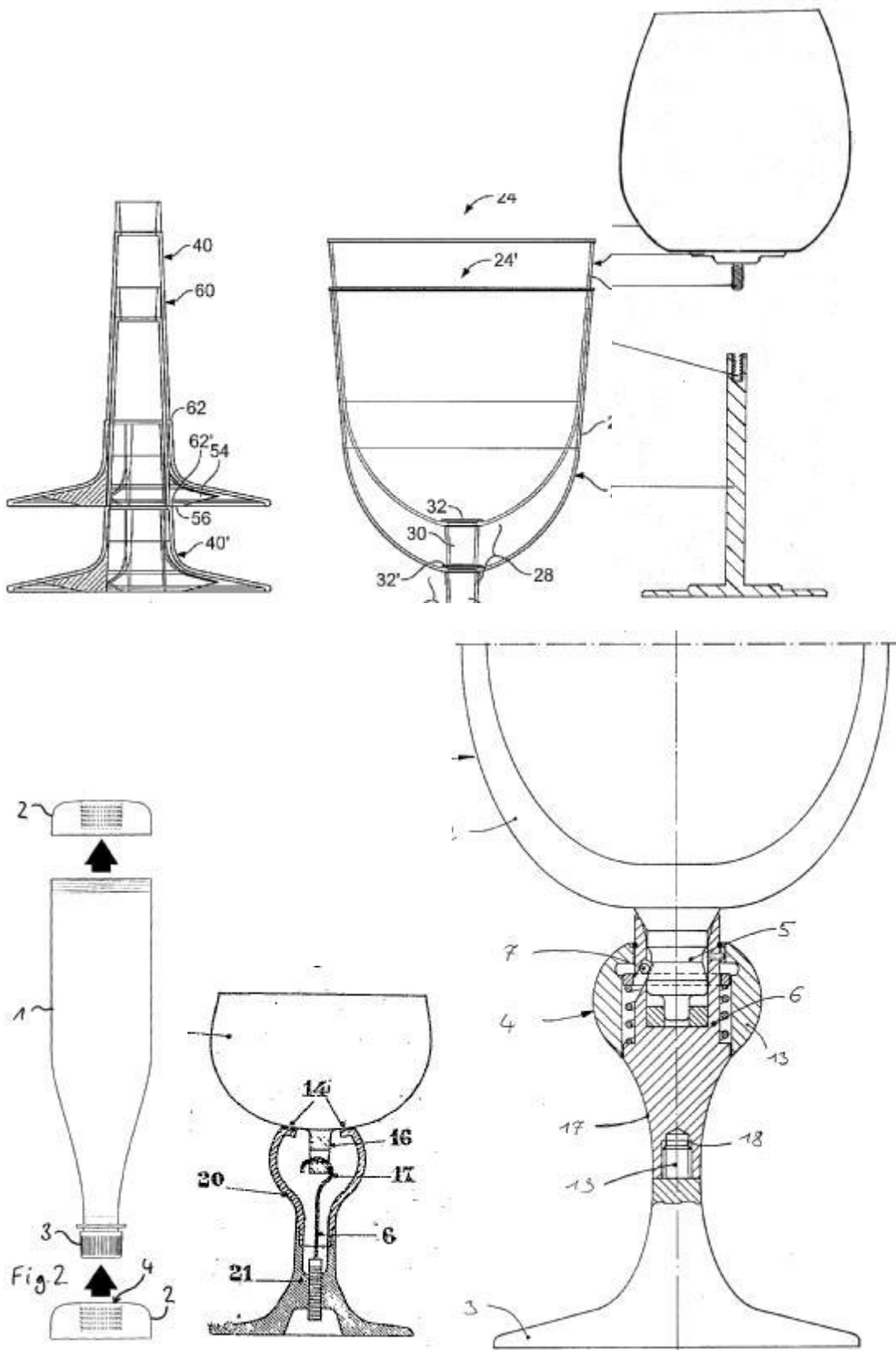
## A47G 19/2255

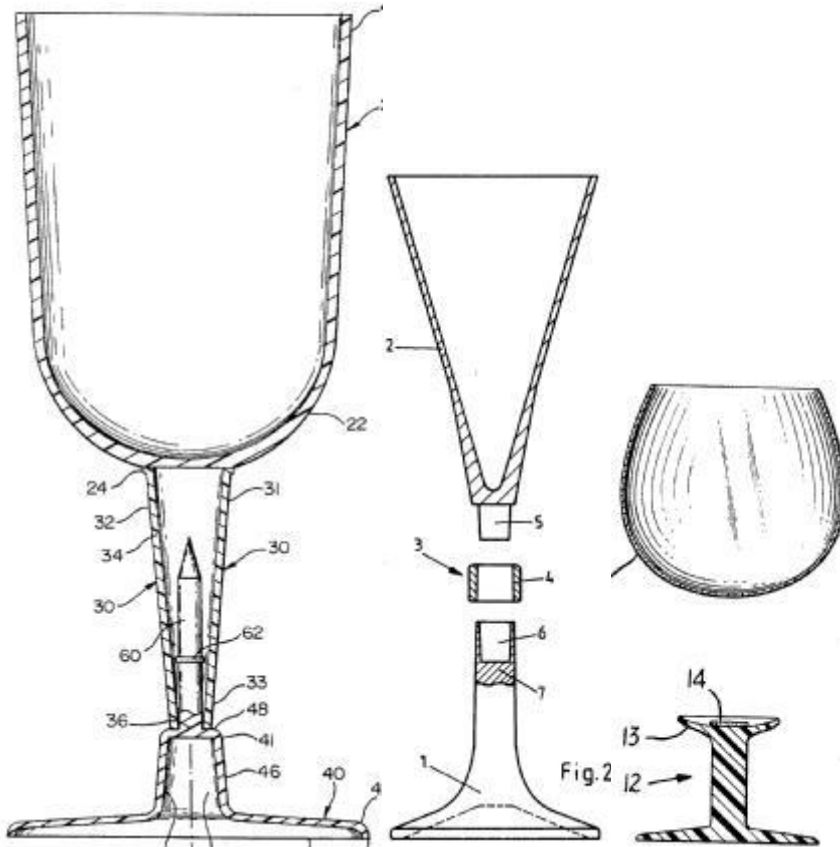
{Details related to the connection between the liquid containing part and the supporting part}

### Definition statement

*This place covers:*

- Bottles convertible into drinking cups
- Fixing the liquid containing part of the supporting part by:
  - Snap-fit
  - Screwing
  - Press fit
  - Gluing
  - Cementing





## References

### Informative references

Attention is drawn to the following places, which may be of interest for search:

Flower vases	<a href="#">A47G 7/06</a>
Processes for producing special ornamental bodies	<a href="#">B44C 5/00</a>
Containers having bodies formed by interconnecting or uniting two or more rigid components made wholly or mainly of plastics	<a href="#">B65D 11/00</a>
Container closures being specifically formed for supporting the container	<a href="#">B65D 51/249</a>
Containers adapted to be used for non-packaging purposes after removal of contents	<a href="#">B65D 81/36</a>
Re-forming shaped glass	<a href="#">C03B 23/00</a>
Joining pieces of glass to pieces of (other) inorganic material	<a href="#">C03C 27/00</a>

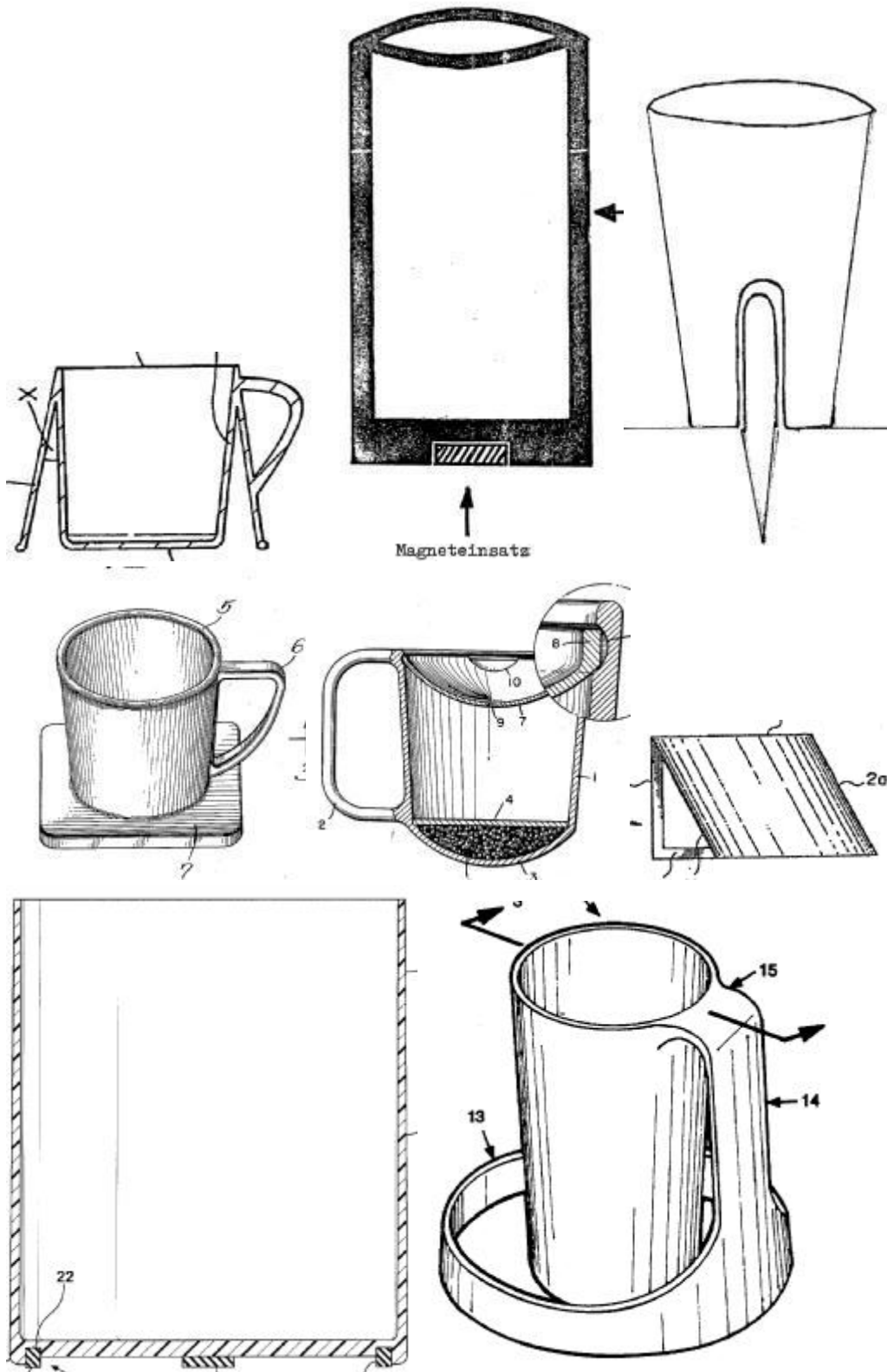
## A47G 19/2261

{with integral means to prevent the glass from slipping or tipping-over (non-integral means [A47G 23/0216](#))}

### Definition statement

This place covers:

- Glasses with specially wide or heavy base
- Glasses having magnets, suction elements, ground anchors, non-slip elements, etc at the base



**References**

**Informative references**

Attention is drawn to the following places, which may be of interest for search:

Flower vases	<a href="#">A47G 7/06</a>
--------------	---------------------------



Devices for securing plates to the table	<a href="#">A47G 19/10</a>
Separate holders (stabilizers) for one glass or cup	<a href="#">A47G 23/0216</a>
Arrangements of receptacles for food or beverages in vehicles	<a href="#">B60N 3/10</a>
Details of bottles or jars not otherwise provided for	<a href="#">B65D 23/00</a>
External fittings for containers	<a href="#">B65D 25/20</a>

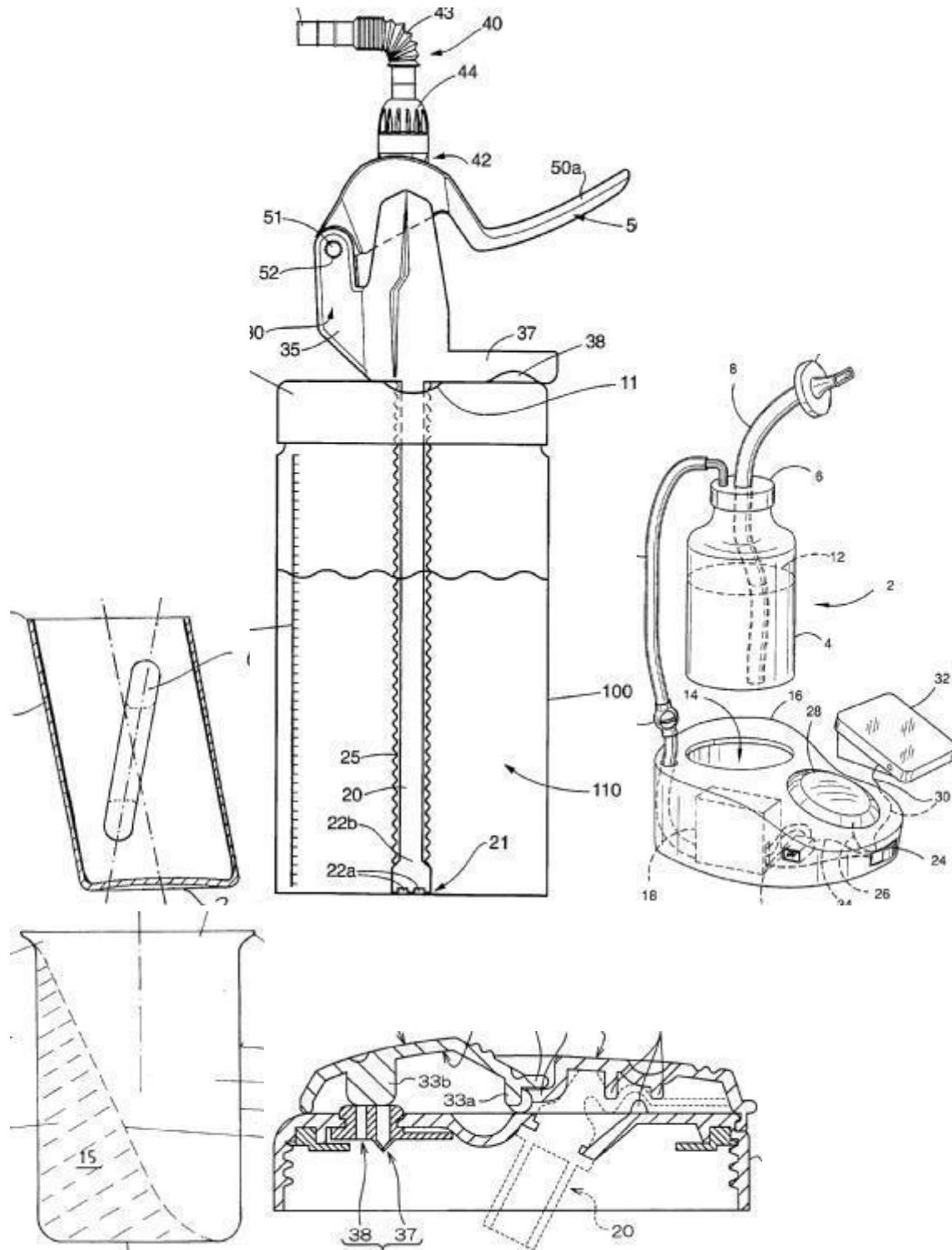
## A47G 19/2266

**{Means for facilitating drinking, e.g. for infants or invalids}**

### Definition statement

*This place covers:*

- Drinking vessels shaped to reduce neck movement during drinking
- Drinking vessels limiting the amount that can be drunk at one time
- Drinking vessels with non-integral "bottle neck" extensions
- Drinking vessels for multiple users
- Sportsflasks not otherwise provided for
- using drinking straws/tubes to withdraw the liquid
- with bite valves



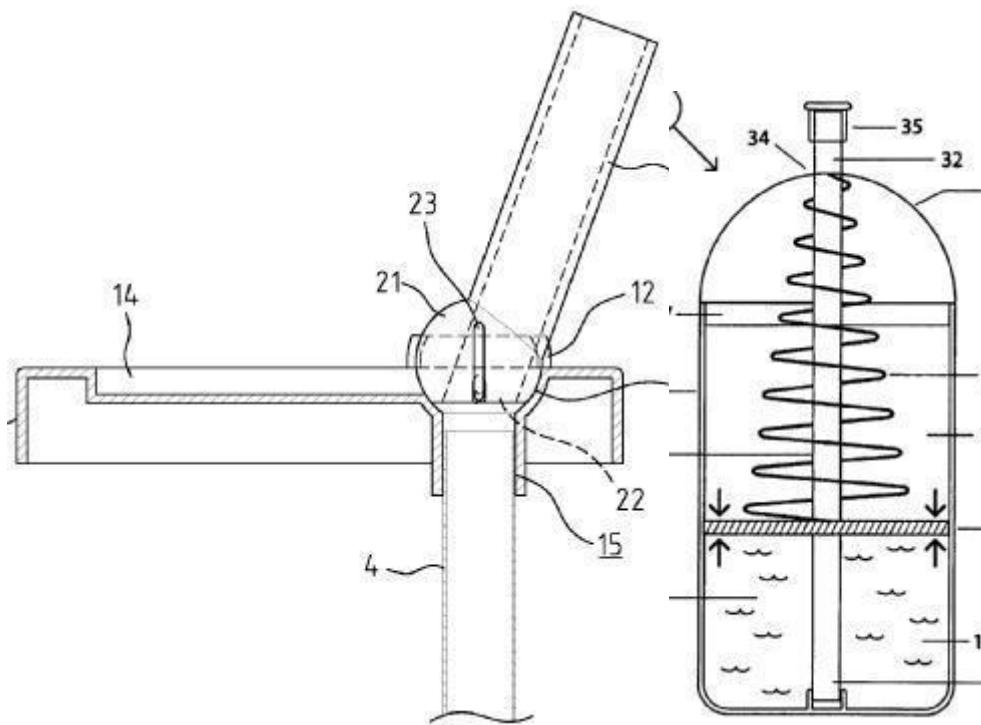
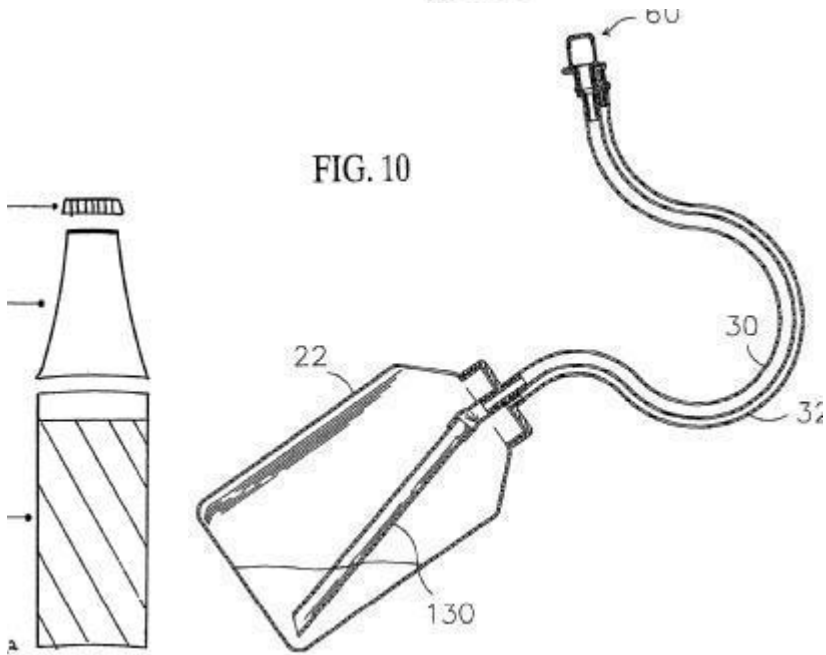
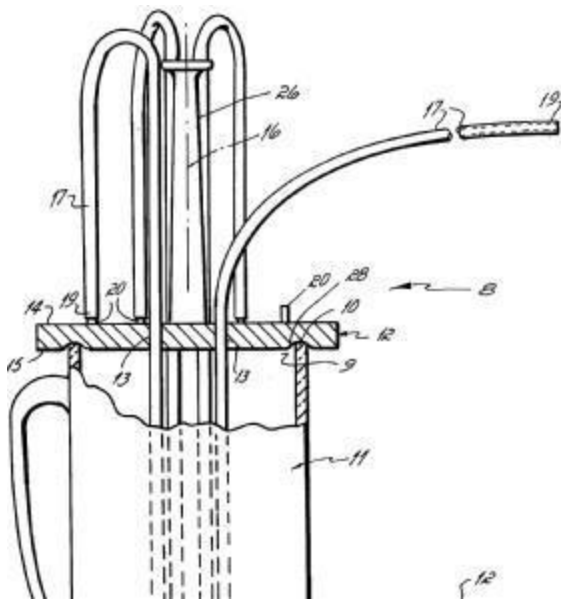
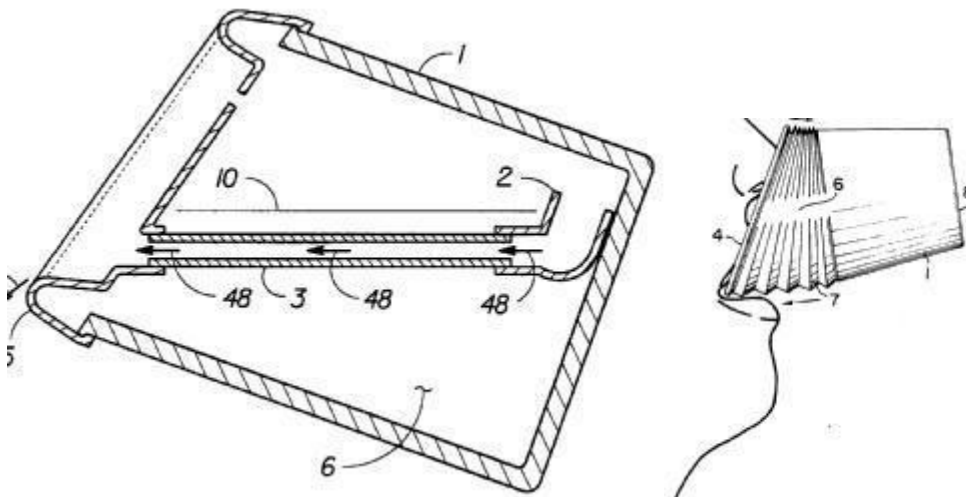


FIG. 10





## References

### Informative references

Attention is drawn to the following places, which may be of interest for search:

Water bottles	<a href="#">A45F 3/16</a>
Insulated sports bottles	<a href="#">A47J 41/00</a>
Administering medicines orally	<a href="#">A61J 7/00</a>
Feeding bottles	<a href="#">A61J 9/00</a>
Feeding tubes for therapeutic purposes	<a href="#">A61J 15/00</a>
Attaching bottles to cycles	<a href="#">B62J 11/00</a>
Closures with means for filling and discharging	<a href="#">B65D 47/00</a>
Drinking straws prepackaged inside containers	<a href="#">B65D 77/28</a>
Fluid valves (check valves <a href="#">F16K 15/00</a> )	<a href="#">F16K</a>

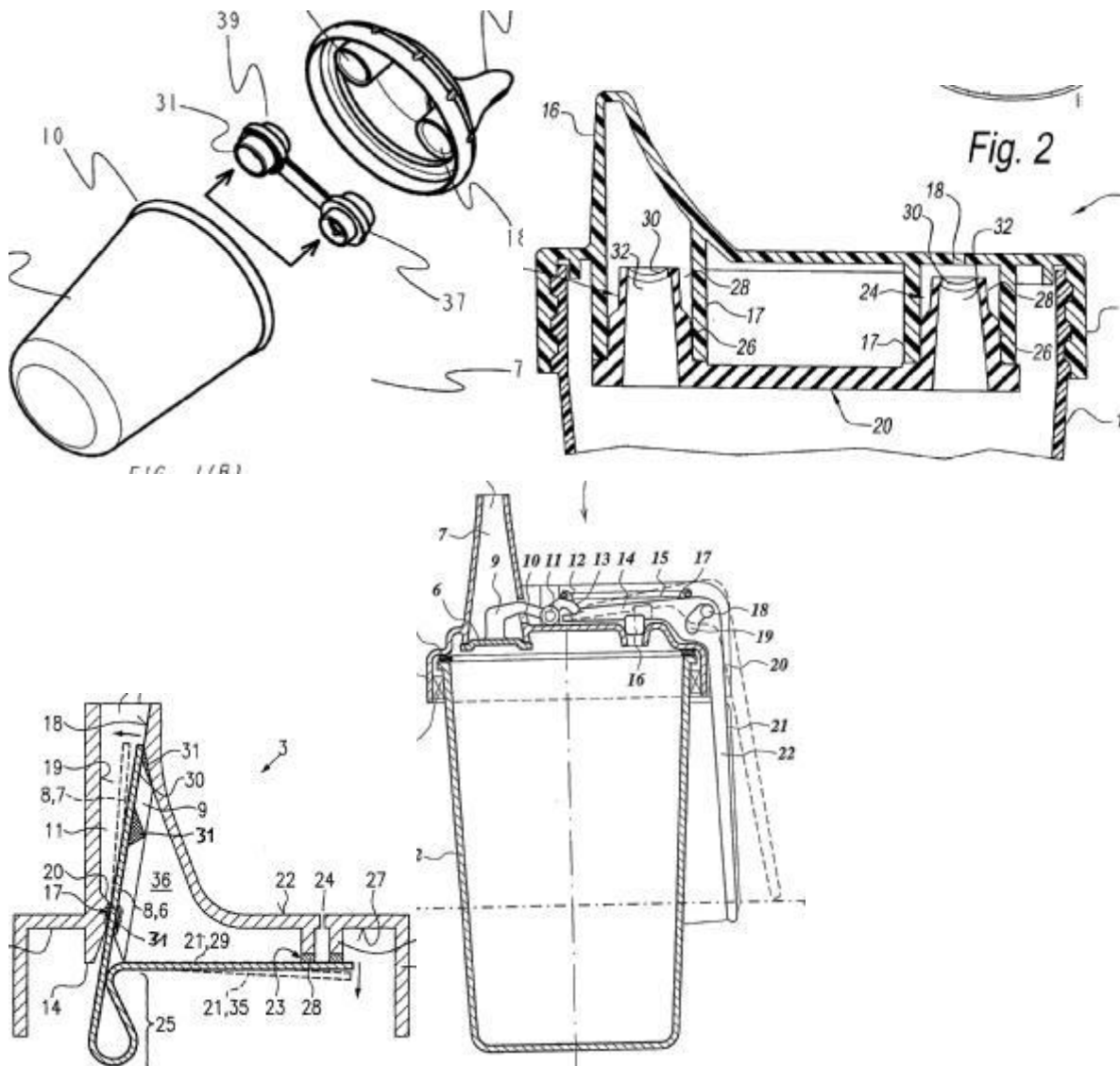
## A47G 19/2272

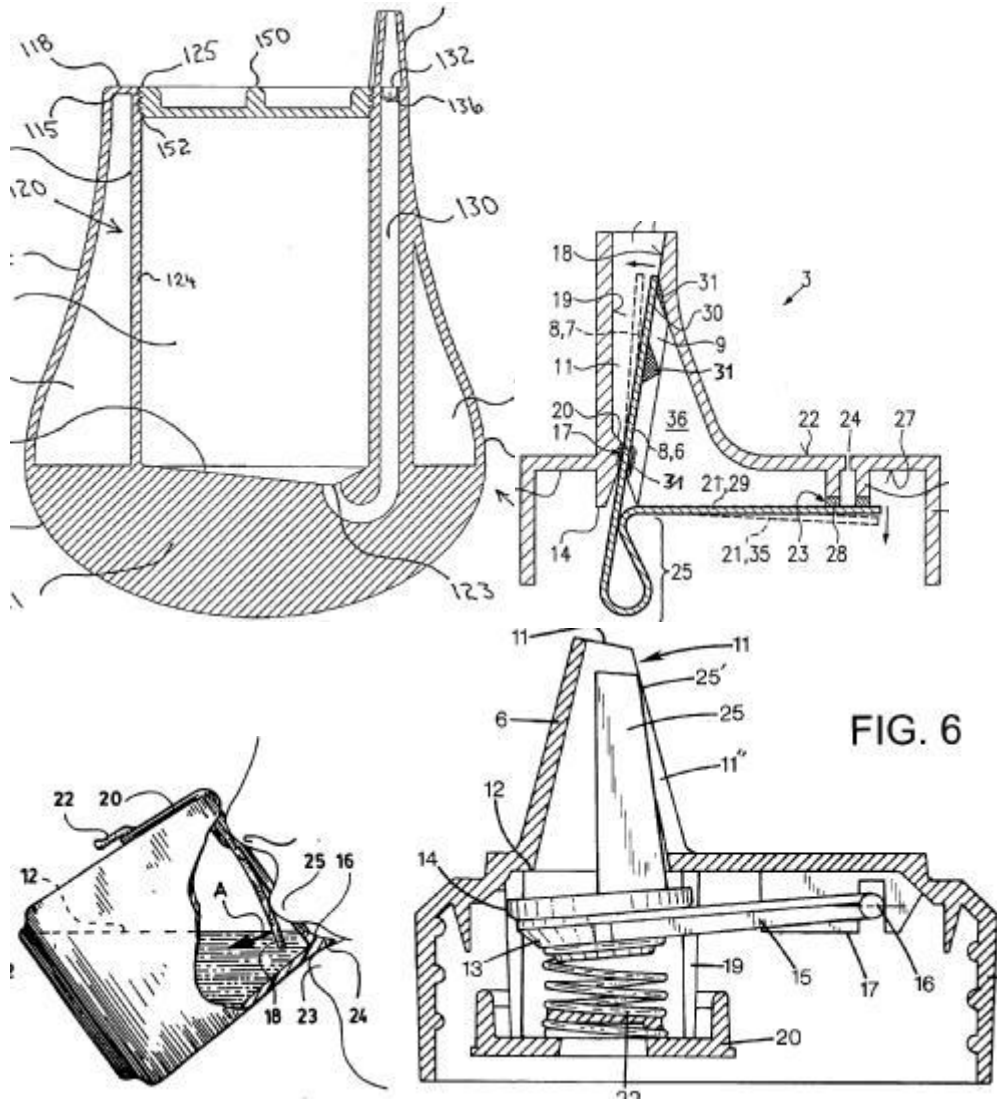
{from drinking glasses or cups comprising lids or covers}

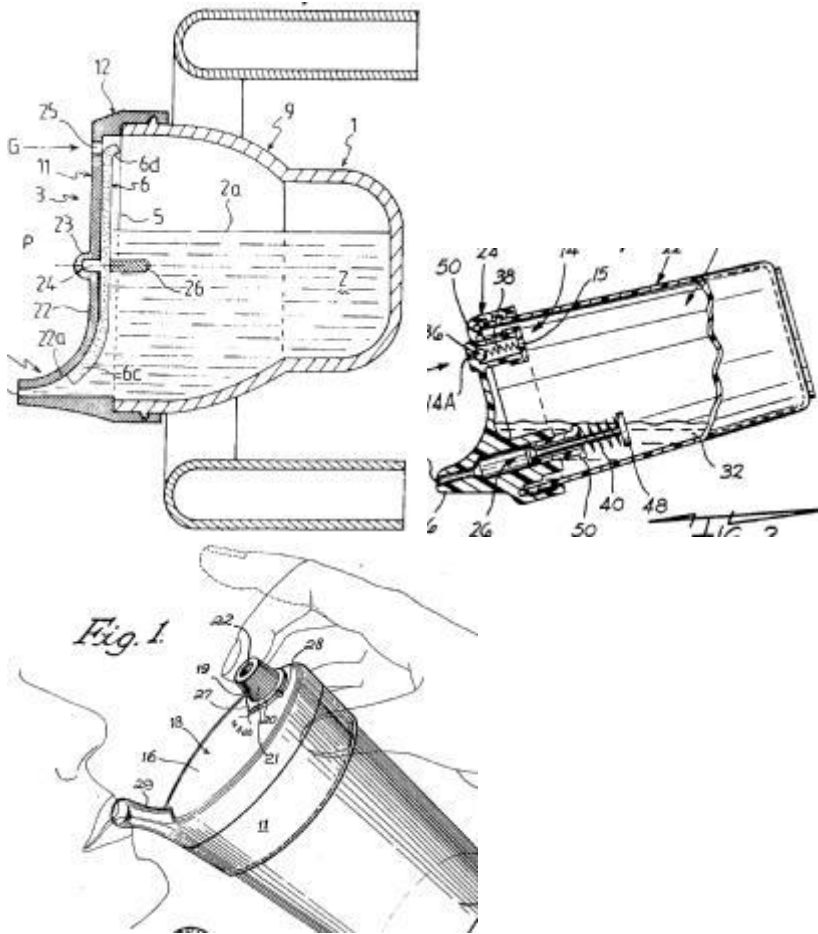
### Definition statement

*This place covers:*

- Training cups for children, i.e. the lid or cover comprising a spout or the like
- Drinking vessels comprising removable, non-disposable lids or covers, provided with valves or other means to minimise spillage when, for example, tipped over
- Drinking vessels with drink-through lids of the non-disposable type







## References

### Informative references

Attention is drawn to the following places, which may be of interest for search:

Water bottles	<a href="#">A45F 3/16</a>
Feeding-bottles	<a href="#">A61J 9/00</a>
Teats for feeding-bottles	<a href="#">A61J 11/00</a>
(Disposable!) Closures with means for discharging contents	<a href="#">B65D 47/00</a>
Drinking straws prepackaged inside containers	<a href="#">B65D 77/28</a>
Fluid valves (check valves <a href="#">F16K 15/00</a> )	<a href="#">F16K</a>

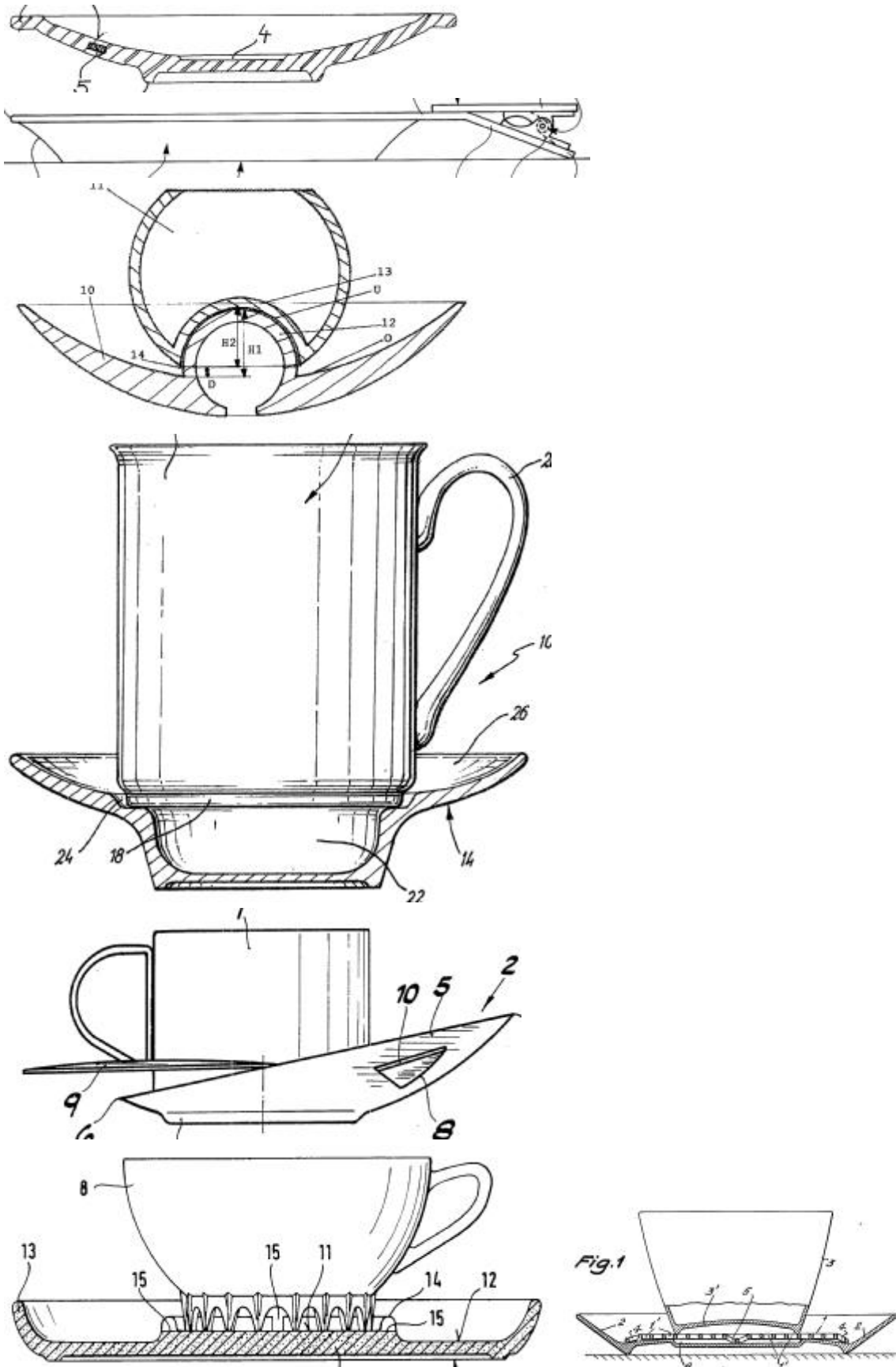
## A47G 19/2283

### {Saucers}

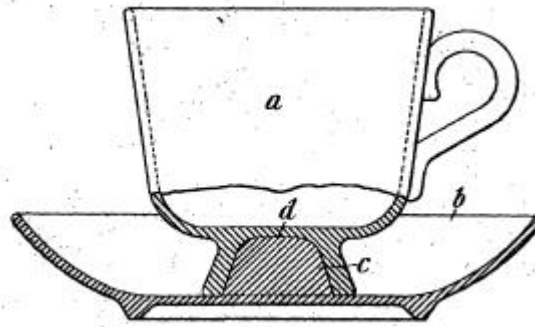
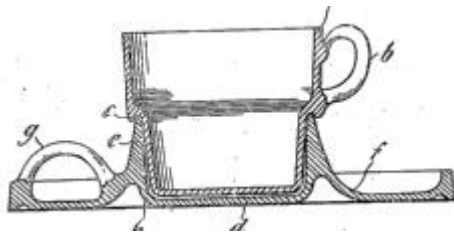
#### Definition statement

This place covers:

- Cup and matching saucer sets
- Saucers with anti-drip features
- Saucers with means for keeping spoons in place
- Saucers with means for stabilising the cup (complementary shapes, magnets, suction cups, etc)
- Saucers with means for presenting bills or receiving change







## References

### Informative references

Attention is drawn to the following places, which may be of interest for search:

Holders for one glass or cup	<a href="#">A47G 23/0216</a>
Underlays for glasses or drinking-vessels	<a href="#">A47G 23/03</a>
Attachments to trays	<a href="#">A47G 23/0633</a>
Change trays	<a href="#">G07D 9/02</a>

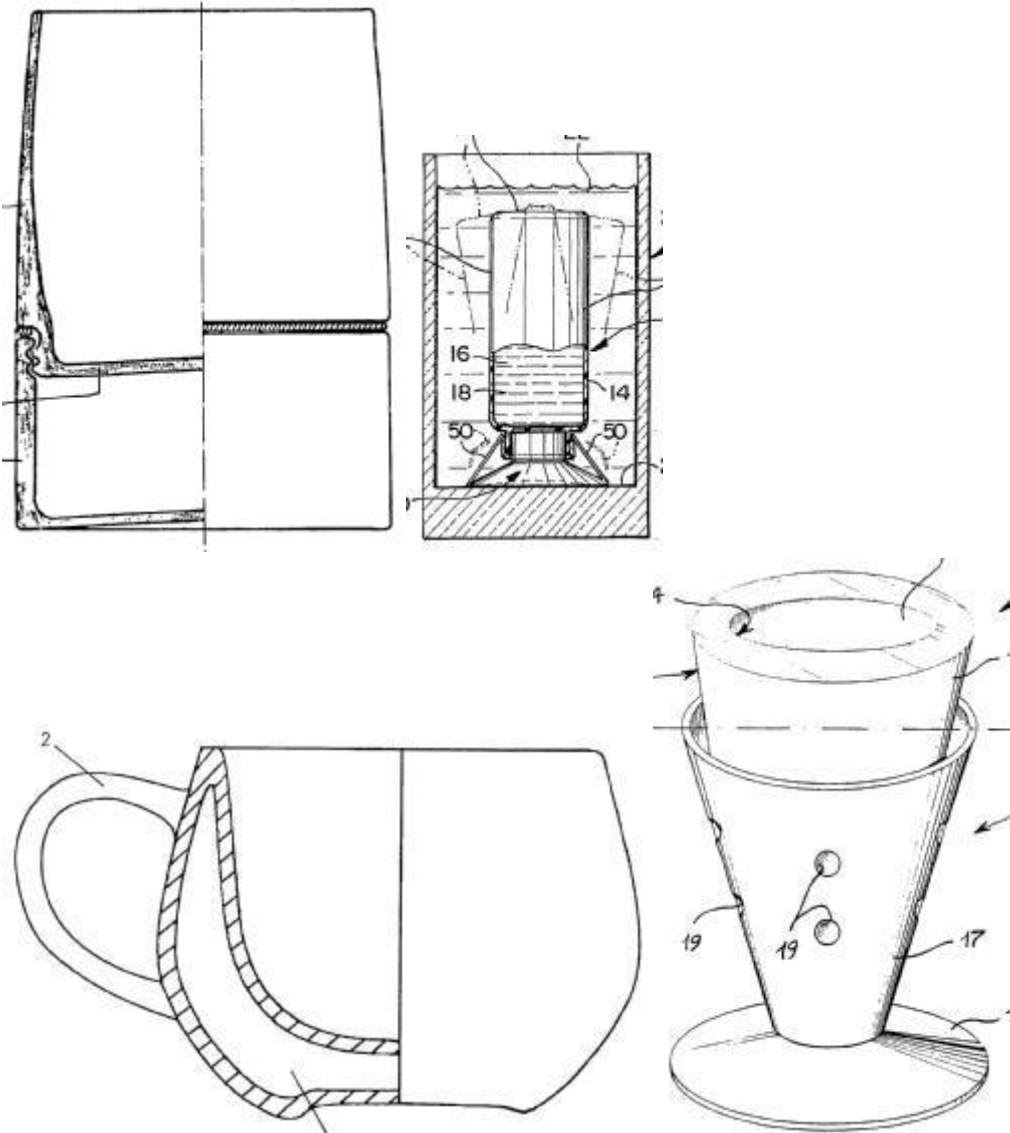
## A47G 19/2288

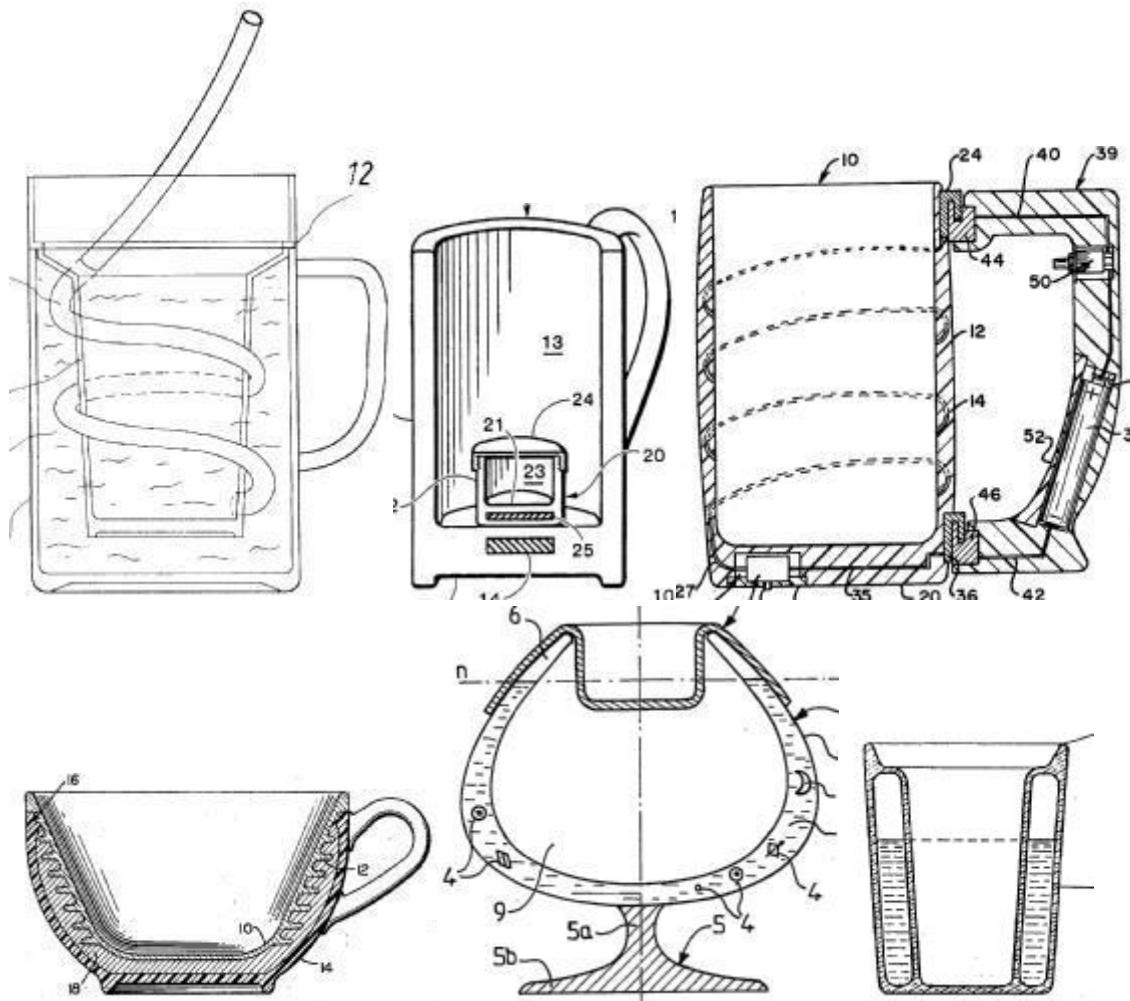
{with means for keeping liquid cool or hot}

### Definition statement

This place covers:

- Double walled, insulating glasses
- Glasses having cooling/heating elements (phase changing elements, liquids, etc) incorporated
- Glasses with integral elements (not handles) to avoid scolding hands
- Glasses with dry ice or ice cubes arranged so as not to dilute the drink
- Glasses or cups with active heating or cooling
- Glasses made from ice





## References

### Informative references

Attention is drawn to the following places, which may be of interest for search:

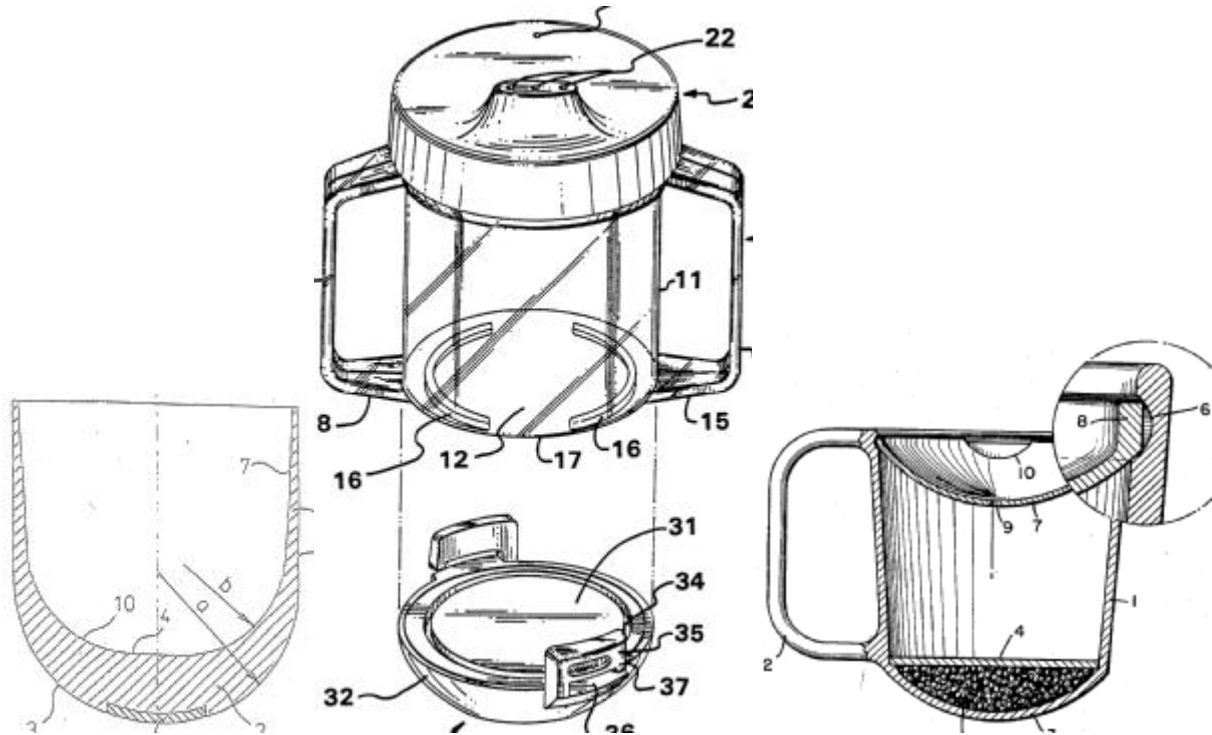
Drinking cups with heating means	<a href="#">A47J 36/2444</a>
Thermally-insulated vessels	<a href="#">A47J 41/00</a>
Containers providing specific environment for contents, e.g. temperature above or below ambient	<a href="#">B65D 81/18</a>
Containers with thermal insulation (drinking cups <a href="#">B65D 81/3865</a> )	<a href="#">B65D 81/38</a>
Materials releasing or absorbing heat during crystallisation	<a href="#">C09K 5/063</a>
Moulds for producing ice	<a href="#">F25C 1/22</a>
Portable cooling devices using ice	<a href="#">F25D 3/08</a>
Heat storage apparatus in general using latent heat	<a href="#">F28D 20/02</a>
Drinking vessels with heating, cooling or heat insulation	A47G19/22&C (FI)
Drinking vessels having means for maintaining contents hot or cold	220/592.17 (UC)
Cooled, portable drinking container	62/457.3 (UC)

**A47G 2019/2294**

{Self-righting drinking vessels, e.g. with means generating a moment to stay upright}

**Definition statement**

*This place covers:*

**A47G 19/23**

of stackable type

**Definition statement**

*This place covers:*

- Complete sets of stackable crockery or dishware
- Stacking features stabilising stacked crockery or dishware
- Stacking features reducing scratches on main visible surfaces of dishware
- Modular sets of crockery or dishware

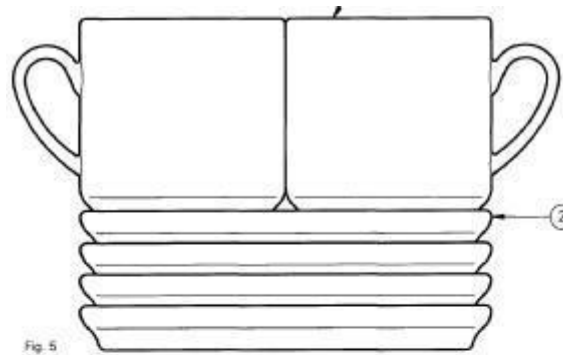


Fig. 5

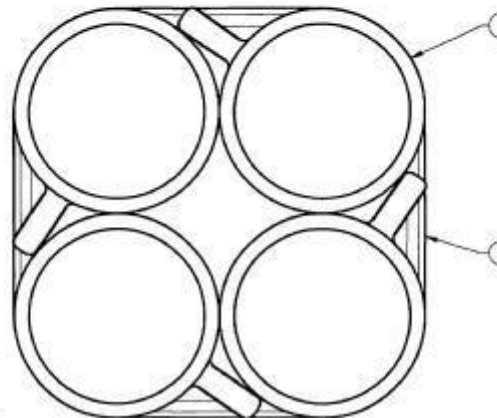


Fig. 6

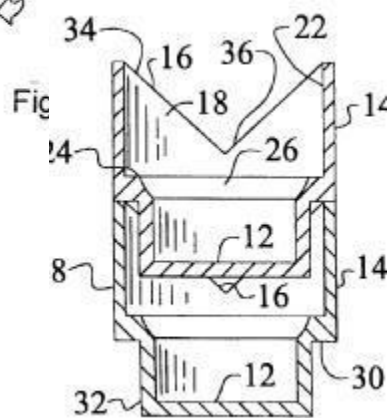
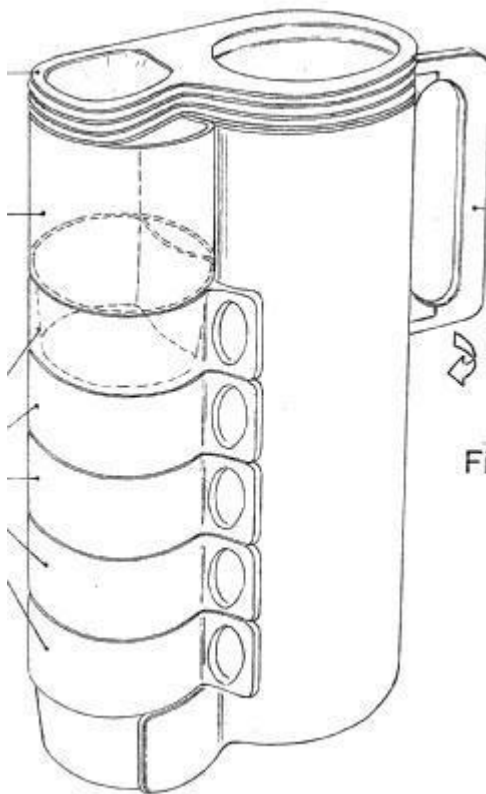
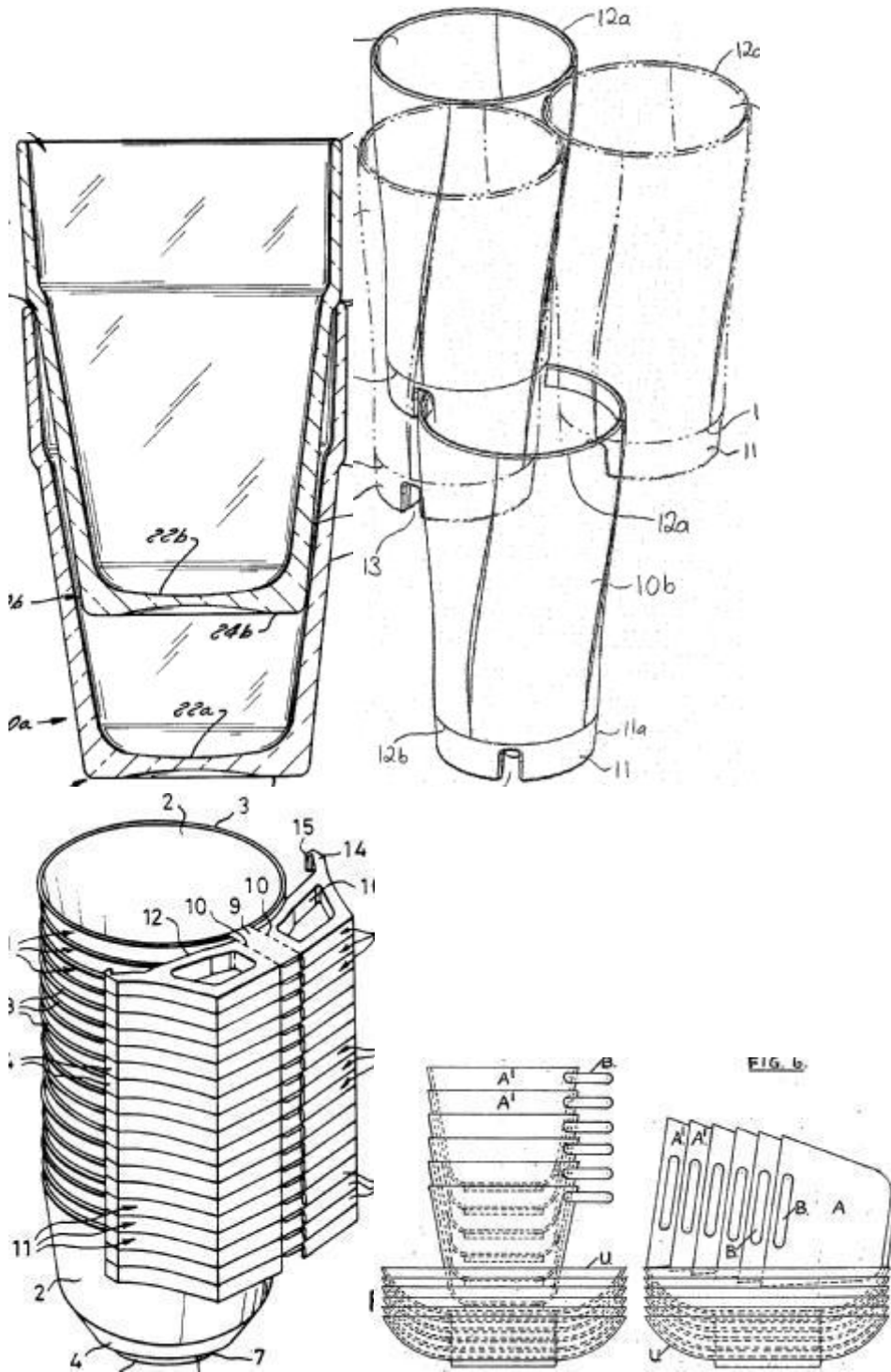
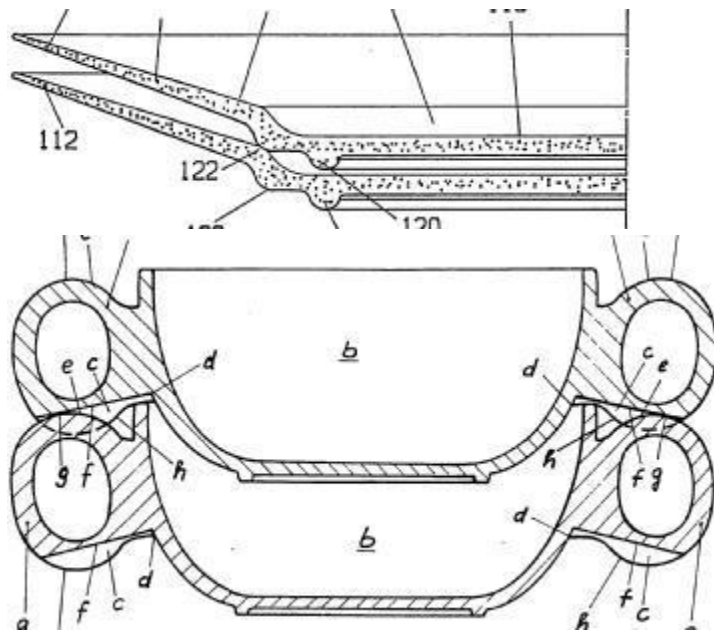


Fig. 7



Definition statement



## References

### Informative references

Attention is drawn to the following places, which may be of interest for search:

Flower vases	<a href="#">A47G 7/06</a>
Separate stacking elements for plates or dishes filled with food	<a href="#">A47G 19/00</a>
Collapsible or stackable cups	<a href="#">A45F 3/20</a>
Disposable drinking cups	<a href="#">B65D 1/265</a>
Nestable or stackable containers	<a href="#">B65D 21/02</a>
Table service characterized by stacking	A47G19/00&H (FI) and A47G19/02&F (FI)
Stacking	3B001/CC22 (FT)

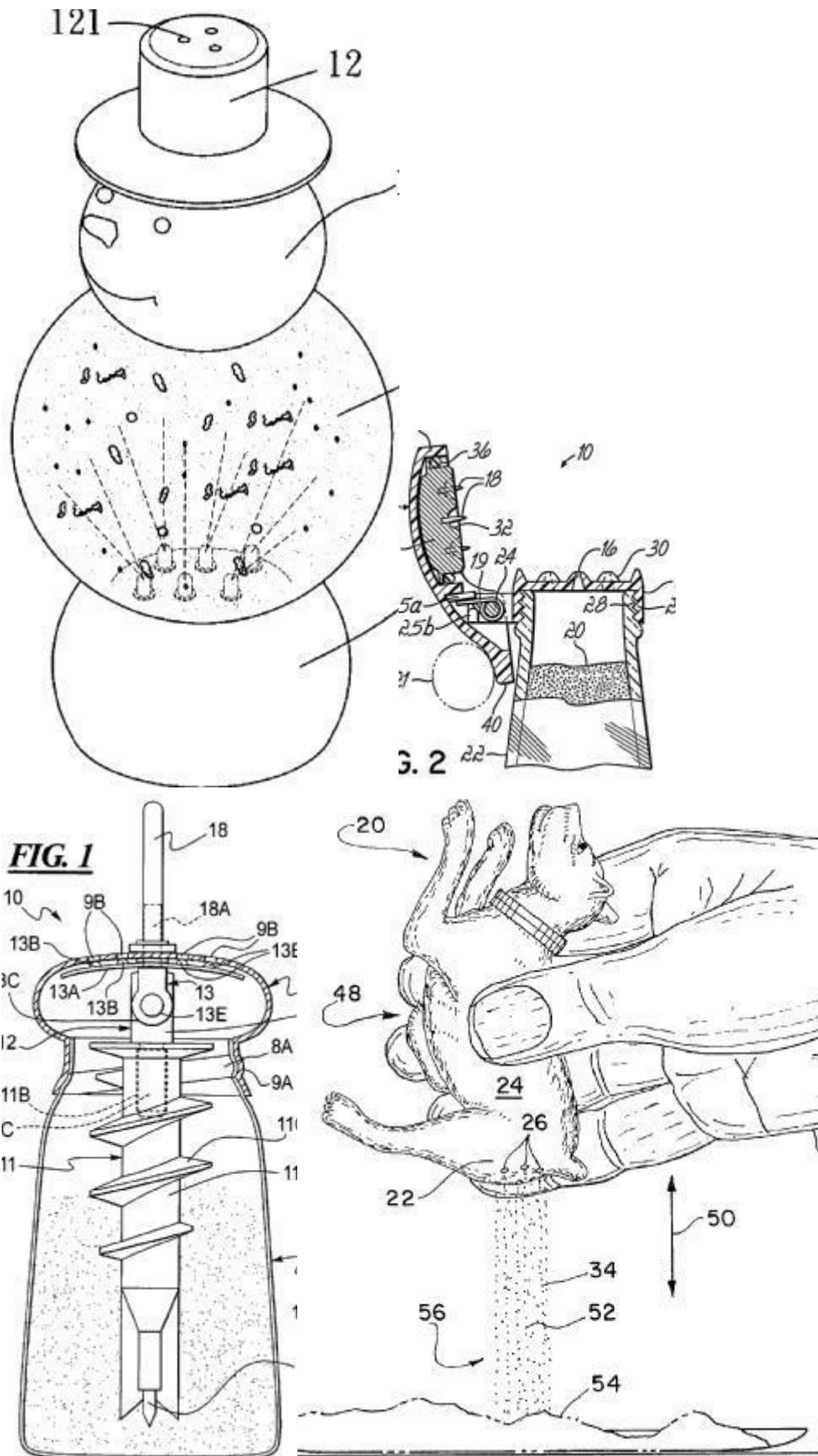
## A47G 19/24

**Shakers for salt, pepper, sugar, or the like {(closures comprising hand-operated members for controlling discharge [B65D 47/20](#))}**

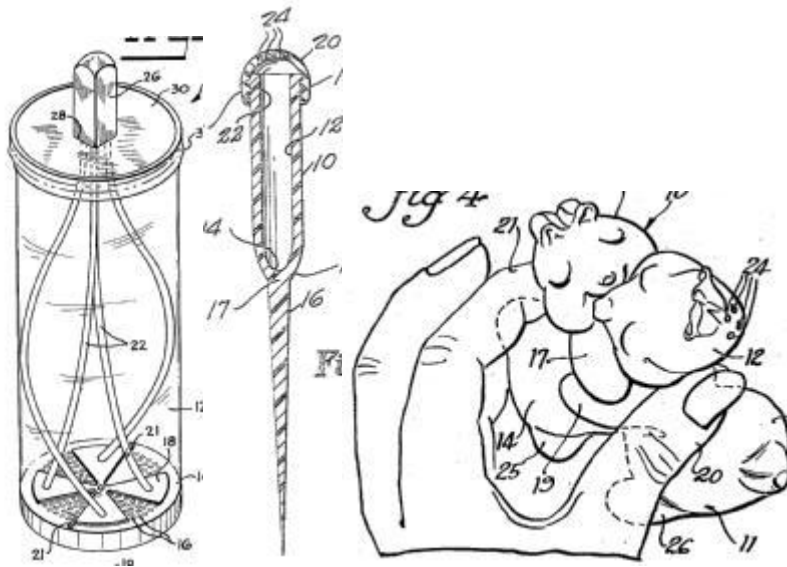
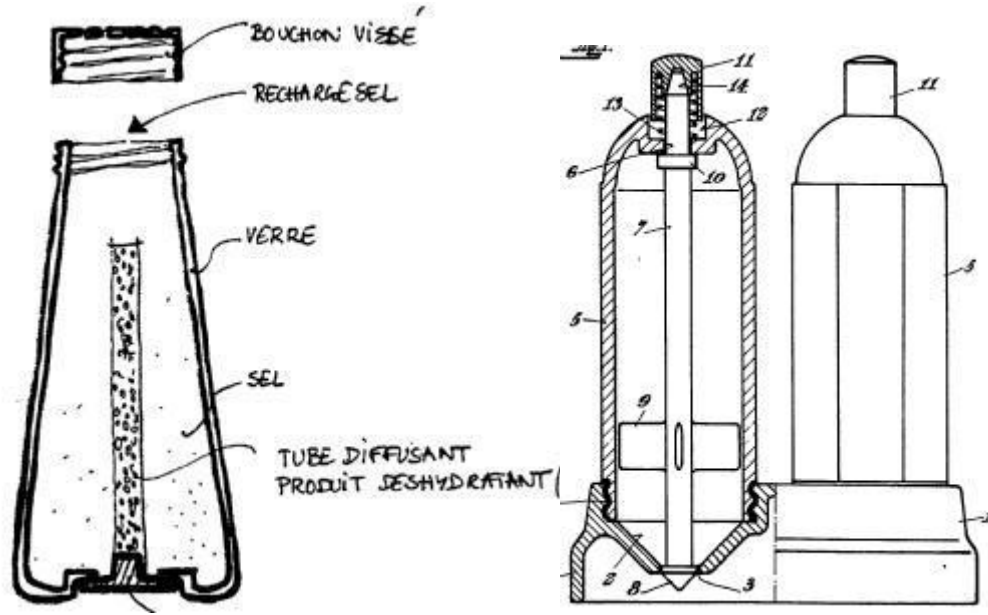
### Definition statement

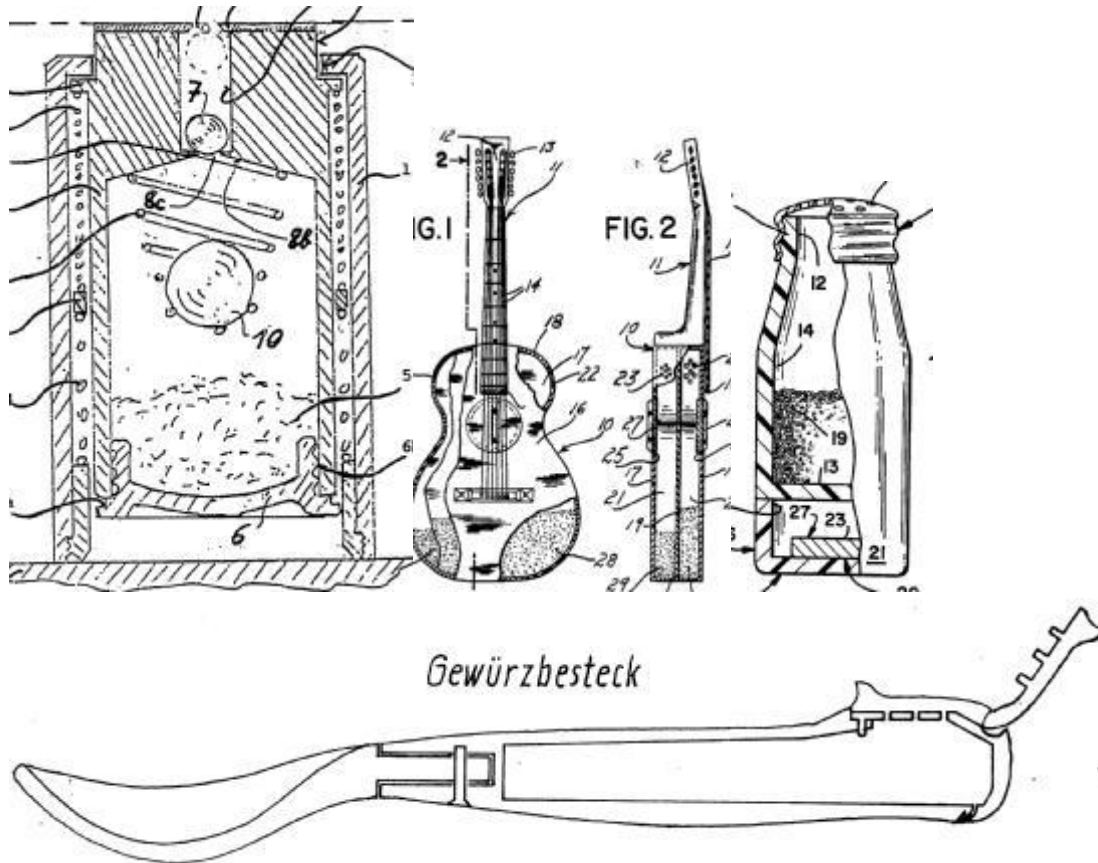
*This place covers:*

- Salt, pepper or sugar shakers without portioning of content
- Anti-clogging devices (balls/weights to be shaken, piercers or swipers for openings, hygroscopic materials, heating, vibrators, etc.)
- Shakers combined with other articles (cutlery, egg cups, napkin holders, figurines, illumination, etc.)
- Salt & pepper sets









## References

### Informative references

Attention is drawn to the following places, which may be of interest for search:

Food containers dispensing a certain quantity of powdered or granulated foodstuffs, e.g. sugar	<a href="#">A47G 19/34</a>
Spice mills	<a href="#">A47J 42/00</a>
Kitchen sifters for flour or the like	<a href="#">A47J 43/22</a>
Closed containers with dispensing devices for granulated foodstuffs	<a href="#">A47J 47/01</a>
Stands, or holders for kitchen articles	<a href="#">A47J 47/16</a>
Closures with means for filling and discharging	<a href="#">B65D 47/00</a>
Closures provided with means for facilitating lifting or suspending of the container	<a href="#">B65D 51/242</a>
Containers for dispensing powdered or granular material	<a href="#">B65D 83/06</a>

## A47G 19/26

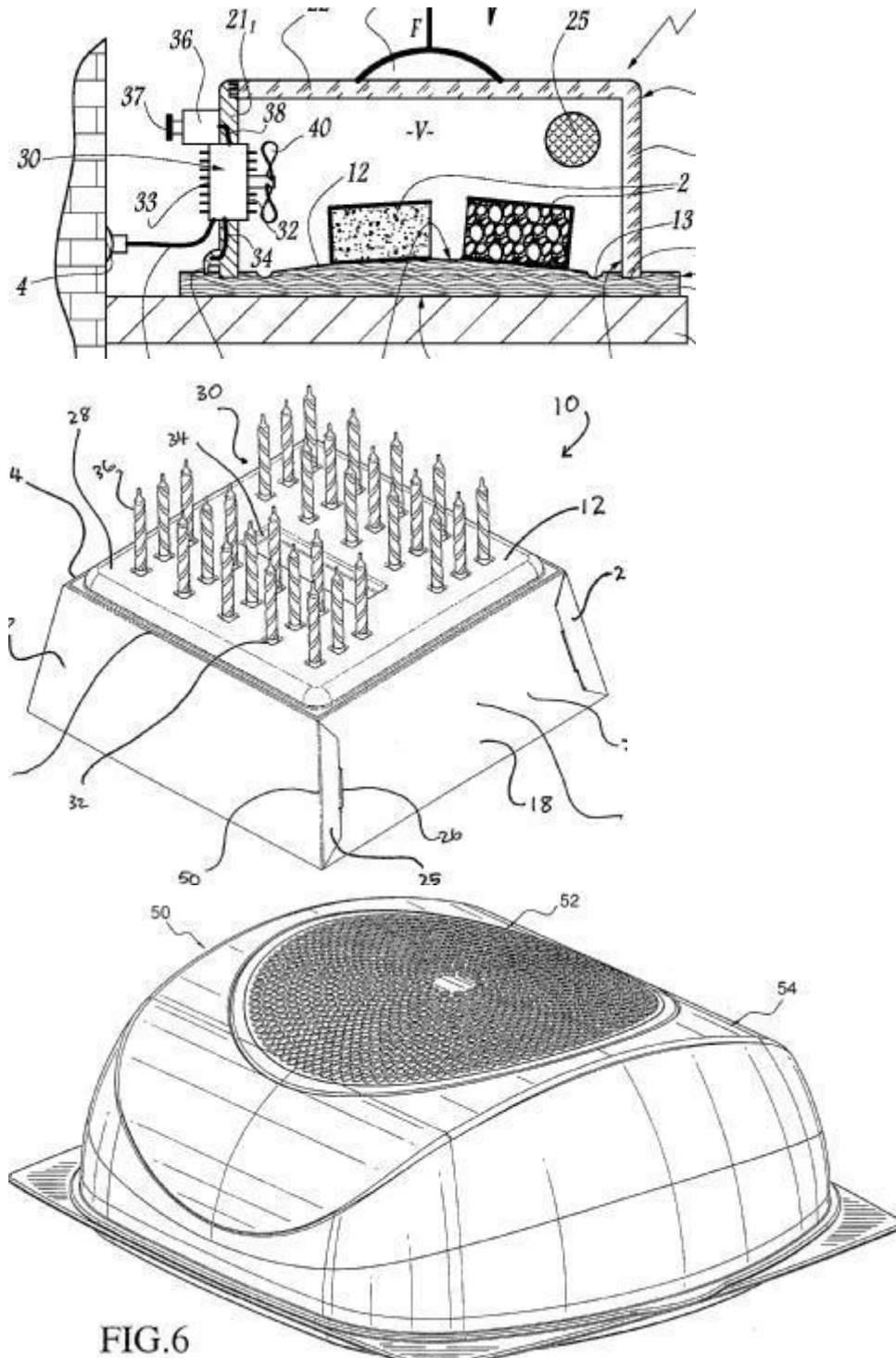
**Butter or cheese dishes or covers, with or without cooling or heating devices;  
 Protective covers for food containers**

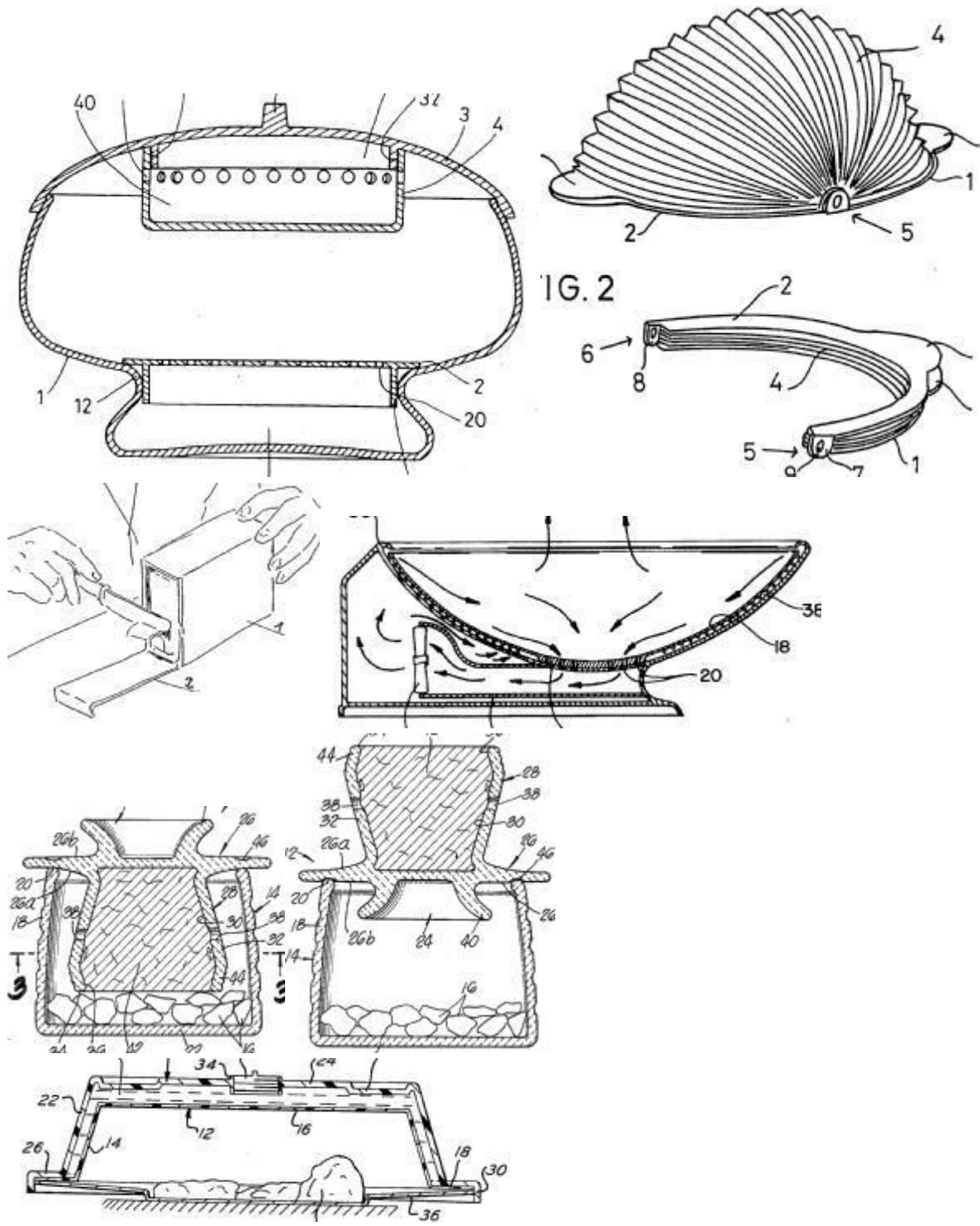
### Definition statement

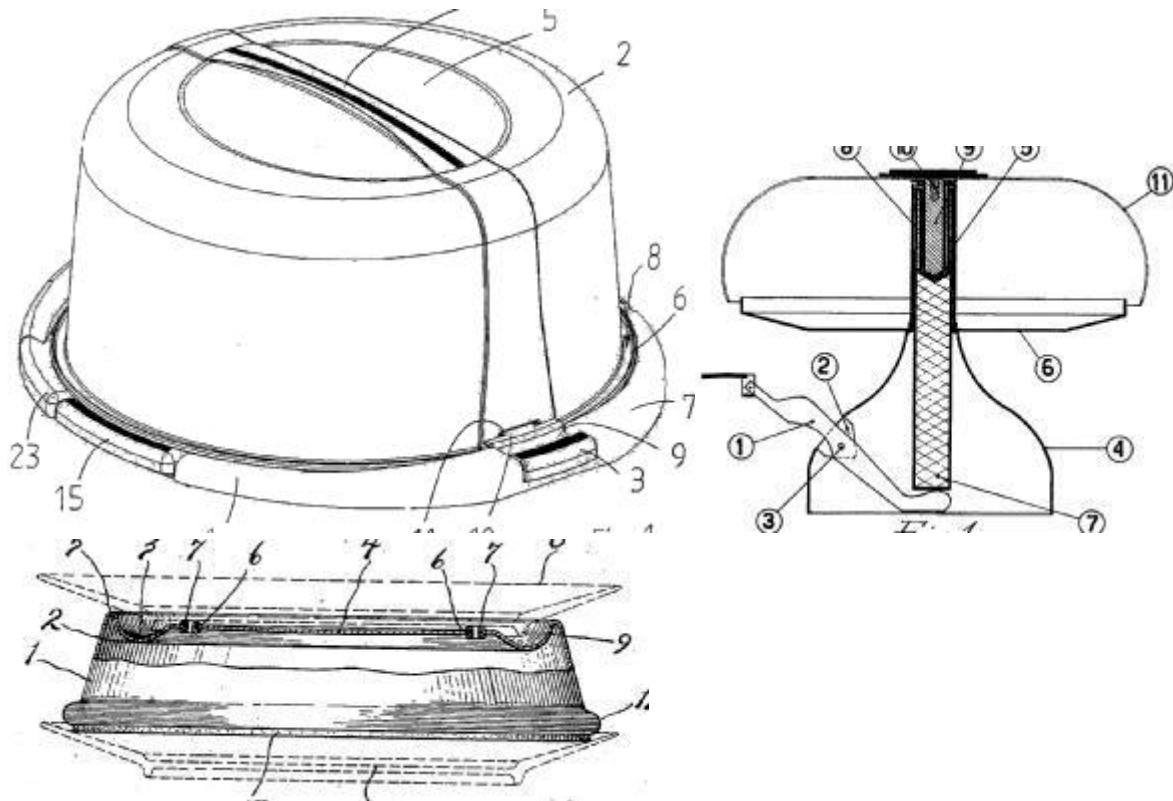
This place covers:

- Heated/cooled covers/plates for cheese, butter, or the like

- Butter heaters/softeners
- Butter dispensers/distributors
- Ventilated food covers (with anti-odor features)
- Humidified food covers
- Collapsible food covers
- Mechanisms for (automatically) lifting food covers or parts thereof
- Features for maintaining the cover closed (for example during transport)
- Cake covers (possibly with candle holders)
- Dish covers for stacking multiple dishes filled with food







## References

### Informative references

Attention is drawn to the following places, which may be of interest for search:

Covers to keep insects or the like out of drinking glasses	<a href="#">A47G 19/2211</a>
Display trays	<a href="#">A47F 3/14</a>
Apparatus for shaping butter	<a href="#">A47J 9/00</a>
Lids or covers for cooking-vessels	<a href="#">A47J 36/06</a>
Heat retaining covers (dish-warmers)	<a href="#">A47J 39/02</a>
Miscellaneous kitchen containers	<a href="#">A47J 47/00</a>
Cutting using a wire-like cutting member	<a href="#">B26D 1/00</a> and <a href="#">B26B 27/00</a>
Removable lids or covers for rigid containers	<a href="#">B65D 43/02</a>
Containers, packaging elements or packages specially for bakery products	<a href="#">B65D 85/36</a>
Containers, packaging elements or packages specially for cheese	<a href="#">B65D 85/76</a>
Portable cooling devices using ice	<a href="#">F25D 3/08</a>
Food covers also in	A47G23/00&D (FI)

**A47G 19/265**

{Food-savers, i.e. devices for covering the exposed parts of food items that have been partially consumed}

**Definition statement**

*This place covers:*

Devices for covering the exposed parts of partially consumed

- sausages
- fruit
- vegetables
- cakes
- bread
- etc.

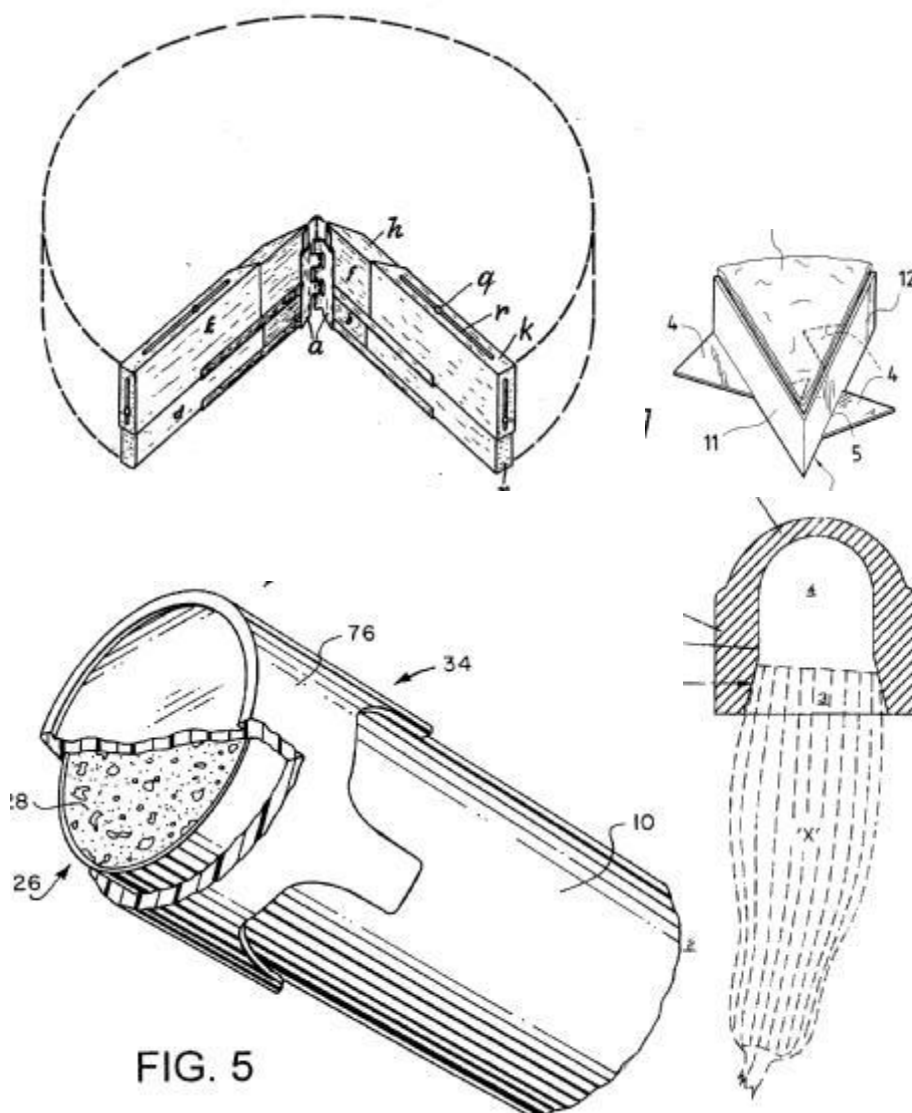
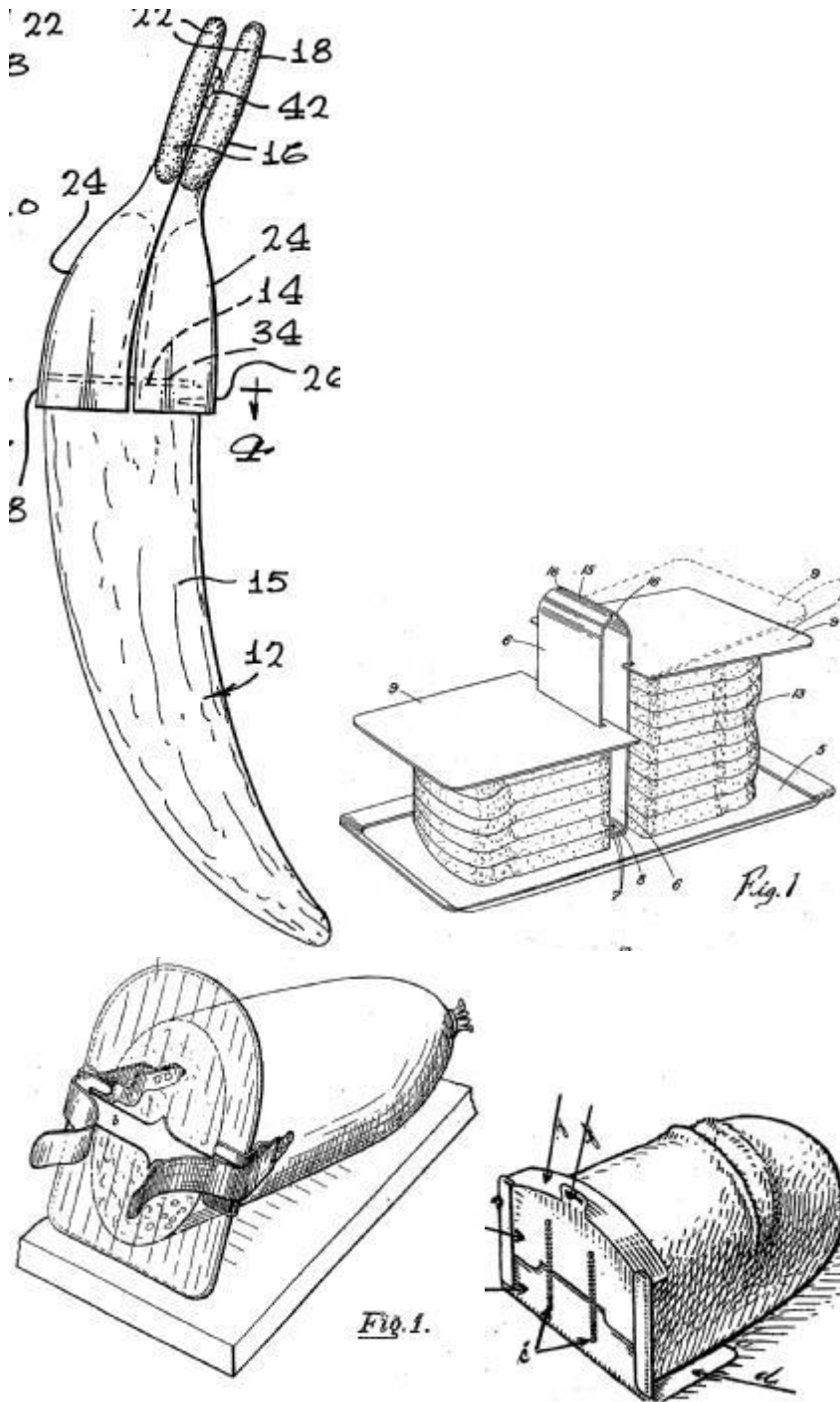


FIG. 5



**References**

**Informative references**

Attention is drawn to the following places, which may be of interest for search:

Pastry servers	<a href="#">A47G 21/045</a>
Holders or packs of shirred sausage casings	<a href="#">A22C 13/023</a>
Closed kitchen containers with arrangements for keeping fresh	<a href="#">A47J 47/10</a>

## **A47G 19/28**

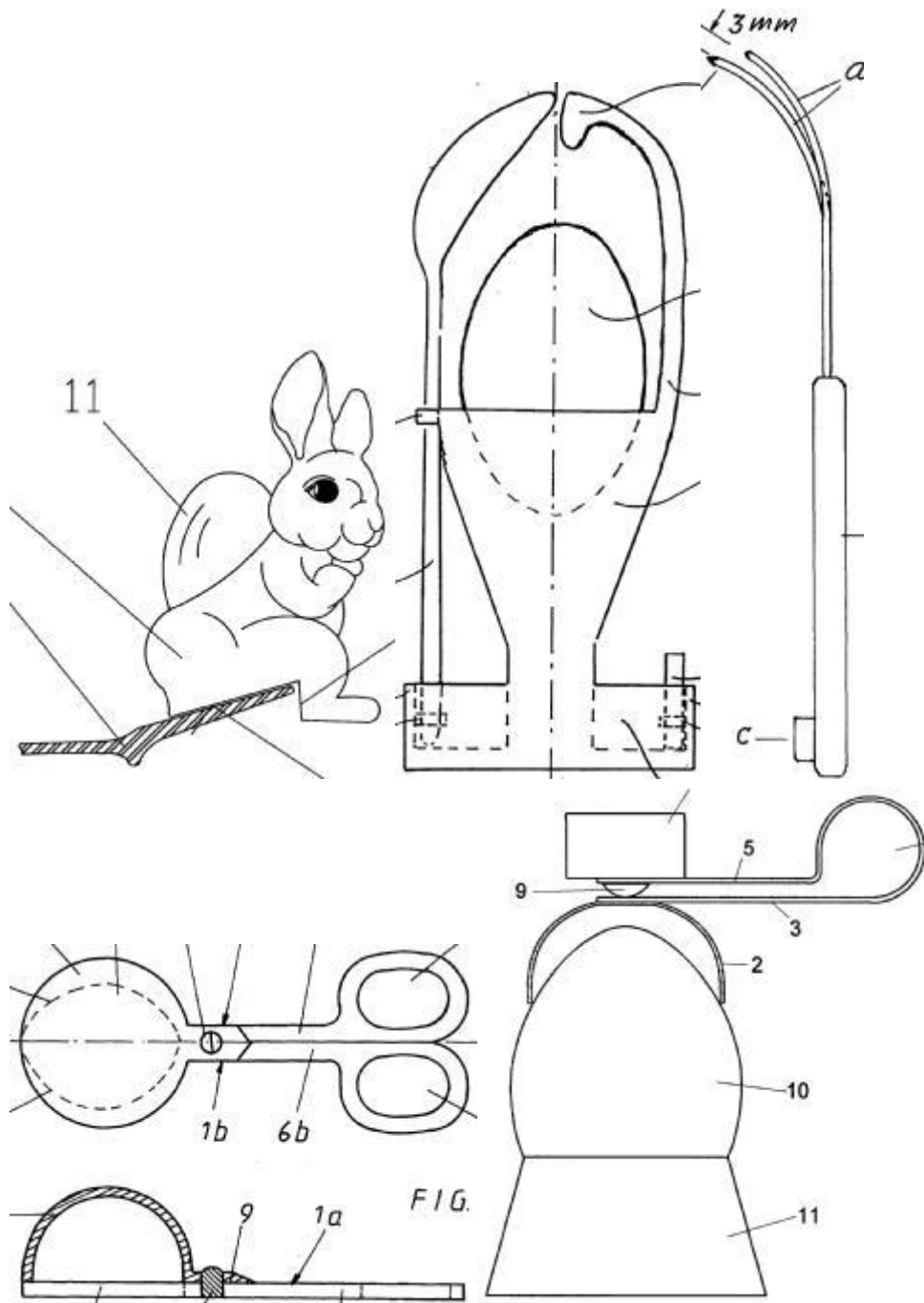
### **Egg-cups; Openers for boiled eggs (egg-openers as domestic appliances [A47J 43/14](#))**

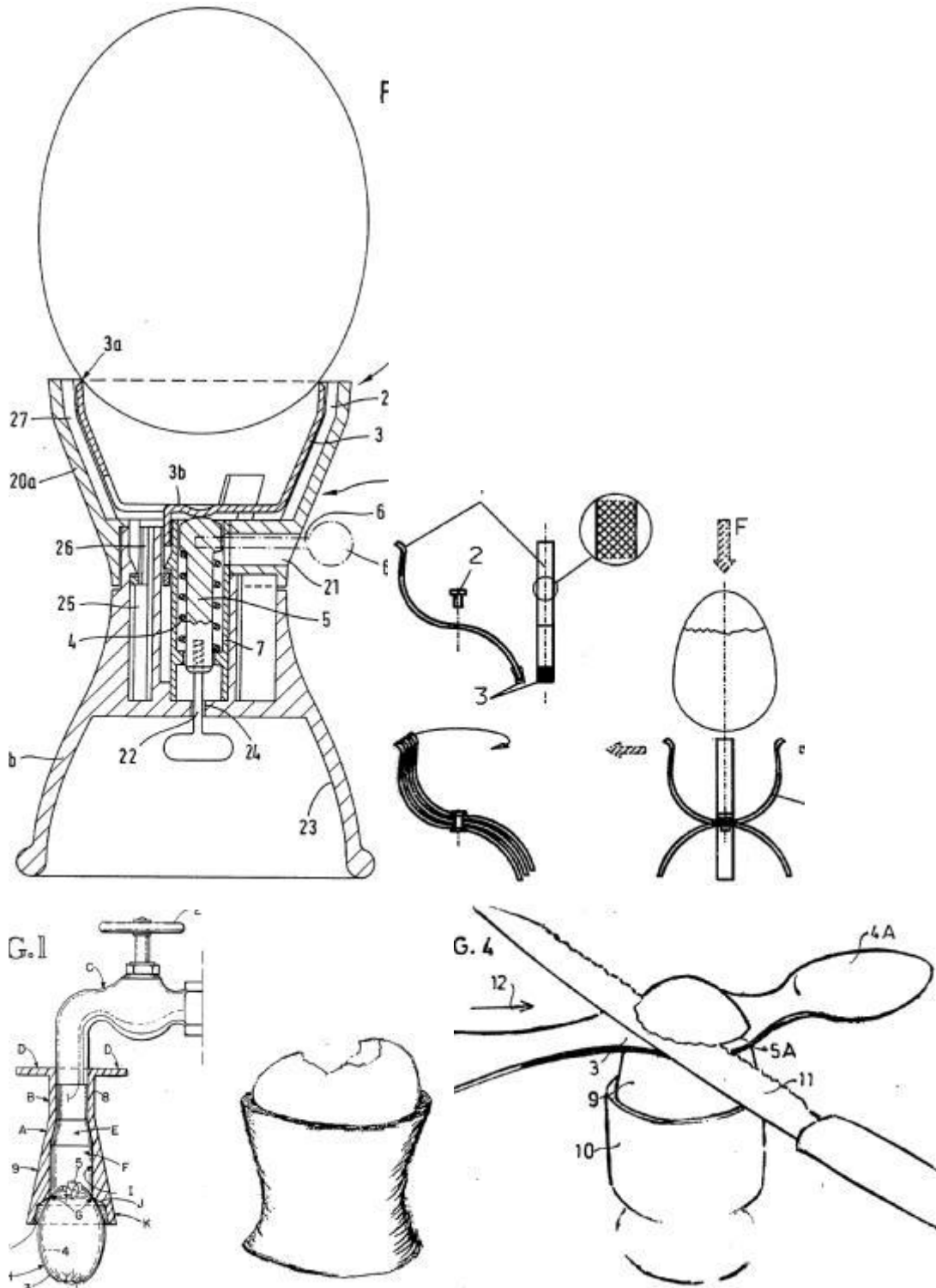
#### **Definition statement**

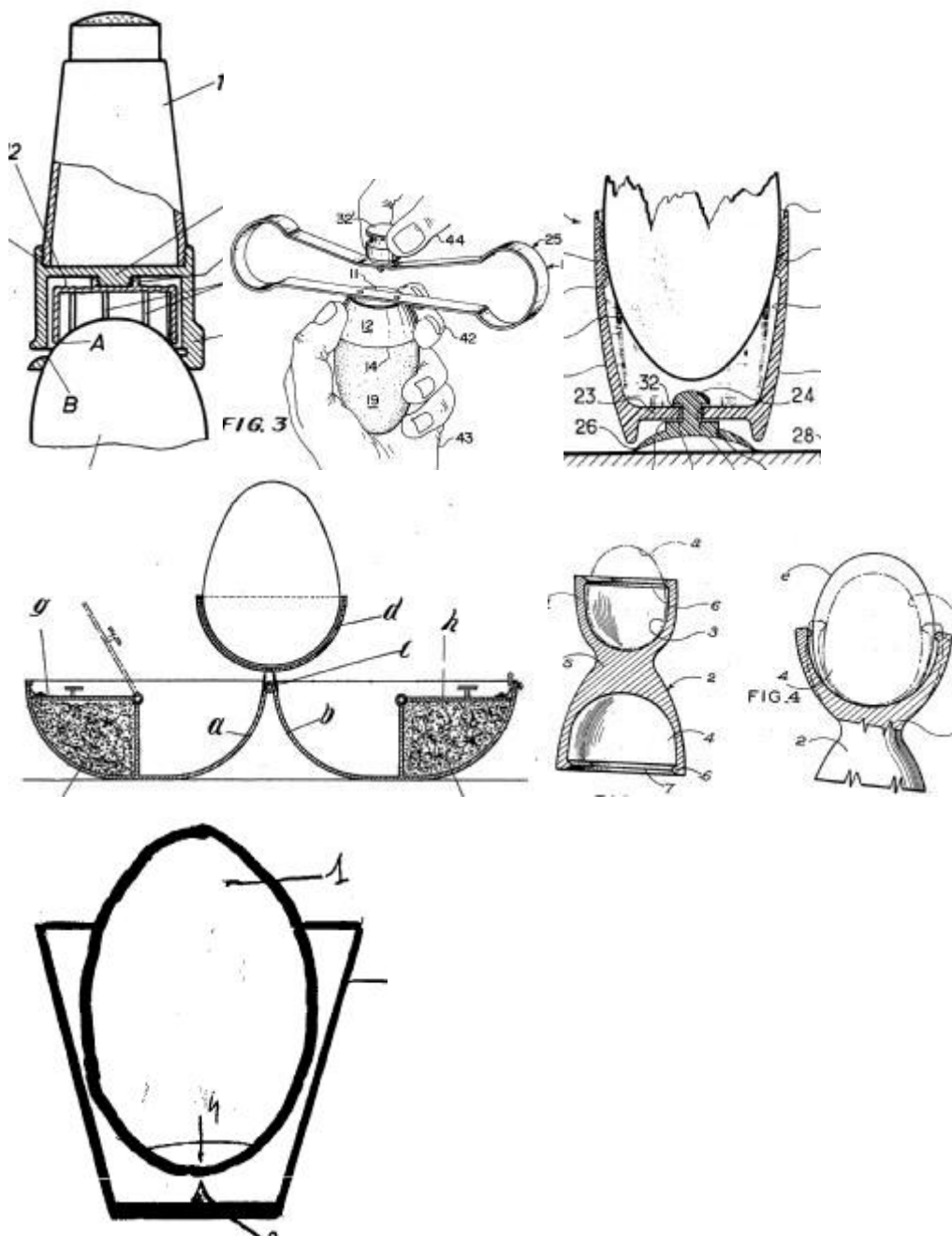
*This place covers:*

- With means for cutting or cracking the shell of boiled eggs
- Collapsible egg cups
- Egg shelling device for boiled eggs
- Egg cups with means for fixing to another surface (table, dish, etc.)
- Egg protectors, e.g. for transporting eggs
- Egg cups combined with other articles (salt and pepper sets, tea spoon, etc.)









**References**

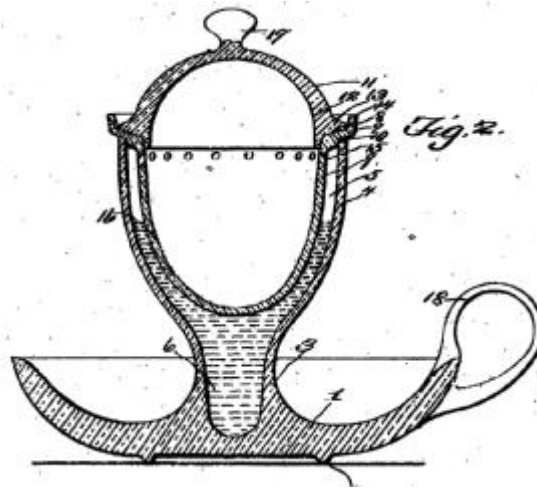
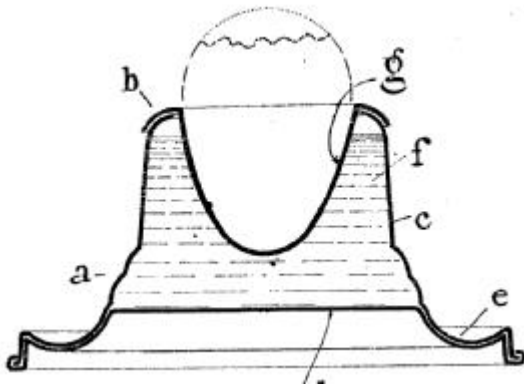
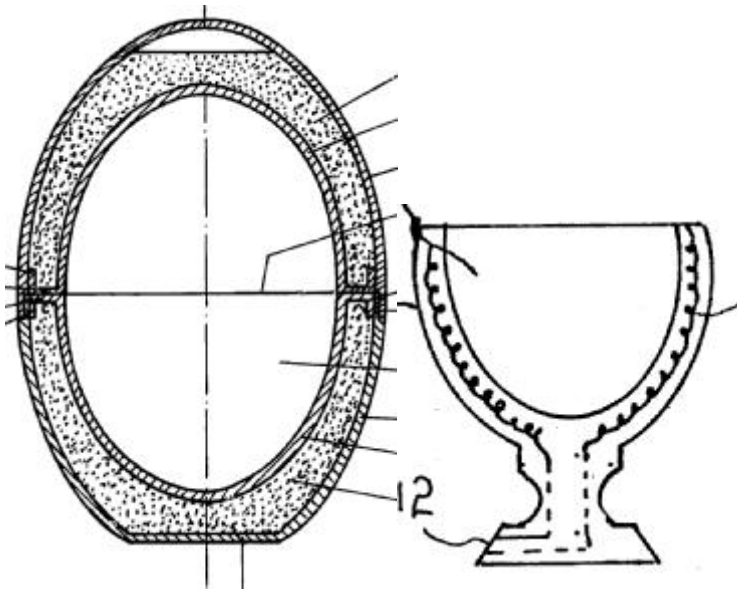
**Informative references**

Attention is drawn to the following places, which may be of interest for search:

Grasping devices for eggs; Supporting devices for eggs during boiling	<a href="#">A47J 29/06</a> (Egg-cookers <a href="#">A47J 29/00</a> )
Devices or machines for opening raw eggs or separating the contents thereof	<a href="#">A47J 43/14</a>
Containers adapted to be used for non-packaging purposes after removal of contents	<a href="#">B65D 81/36</a>
Containers for articles sensitive to damage by shock or pressure, specifically eggs	<a href="#">B65D 85/32</a>

**A47G 19/285****{Means for keeping the eggs cold or hot}****Definition statement***This place covers:*

- Egg cups with heating features
- Thermally insulated, double walled egg cups

**References****Informative references***Attention is drawn to the following places, which may be of interest for search:*

Egg-cookers	<a href="#">A47J 29/00</a>
-------------	----------------------------

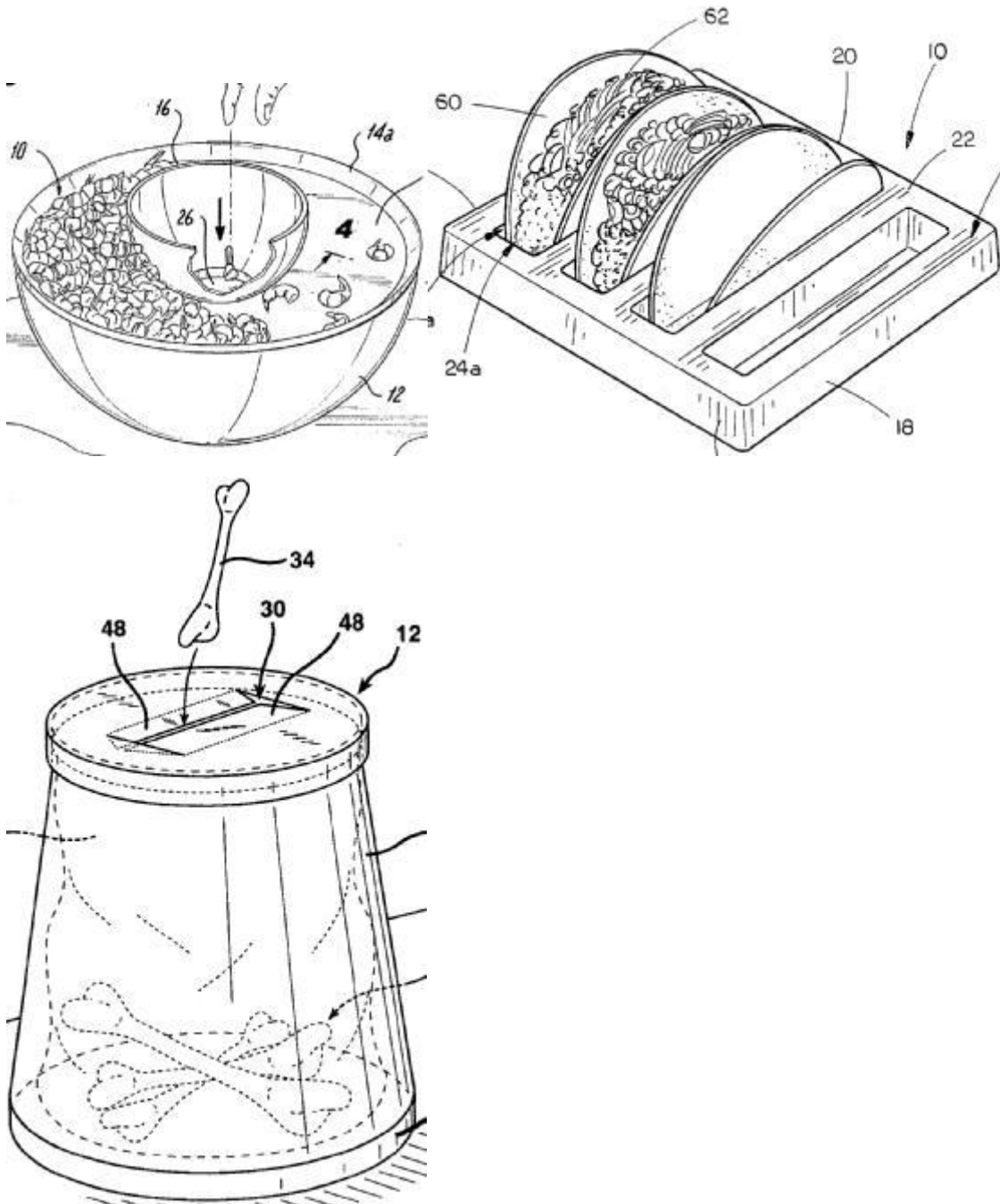
## **A47G 19/30**

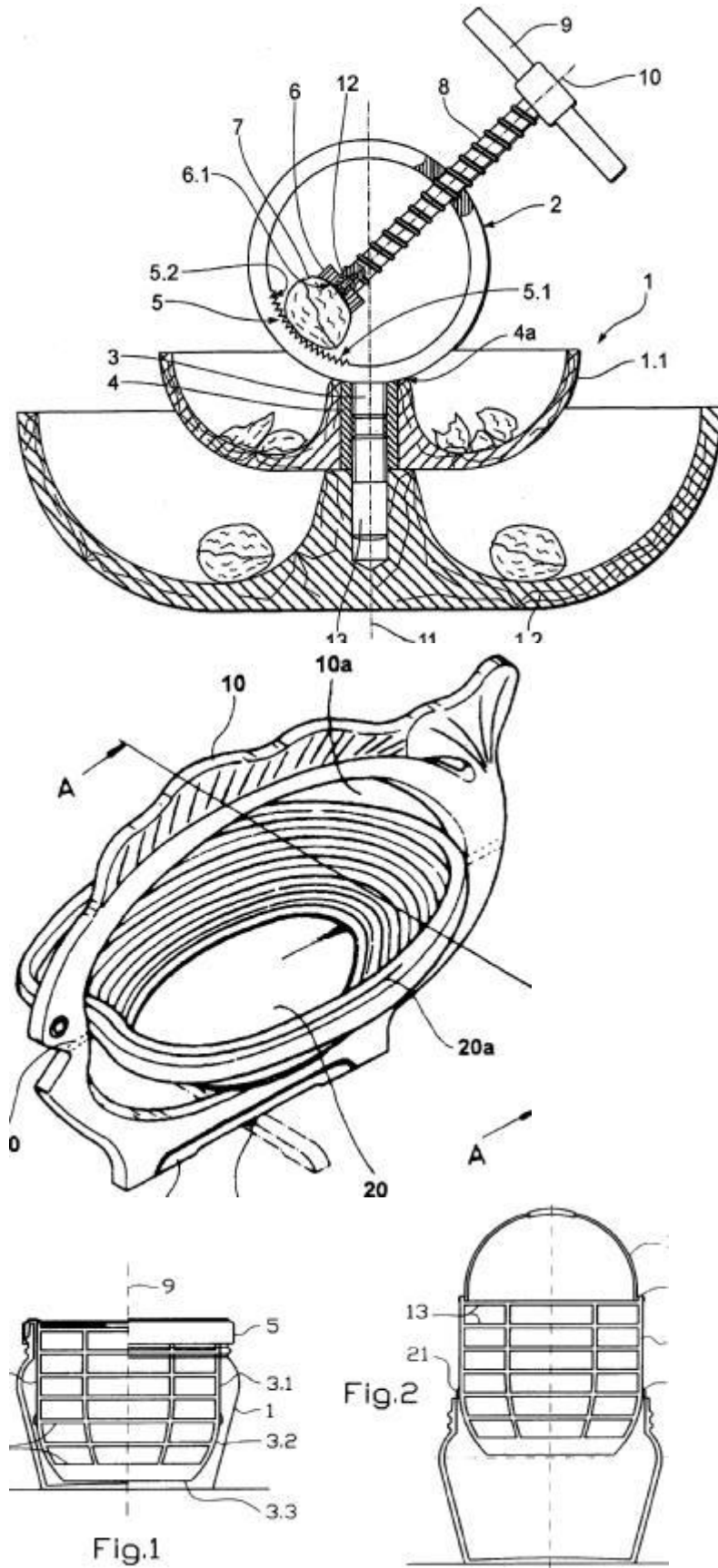
**Other containers or devices used as table equipment {(used as kitchen equipment [A47J 47/02](#))}**

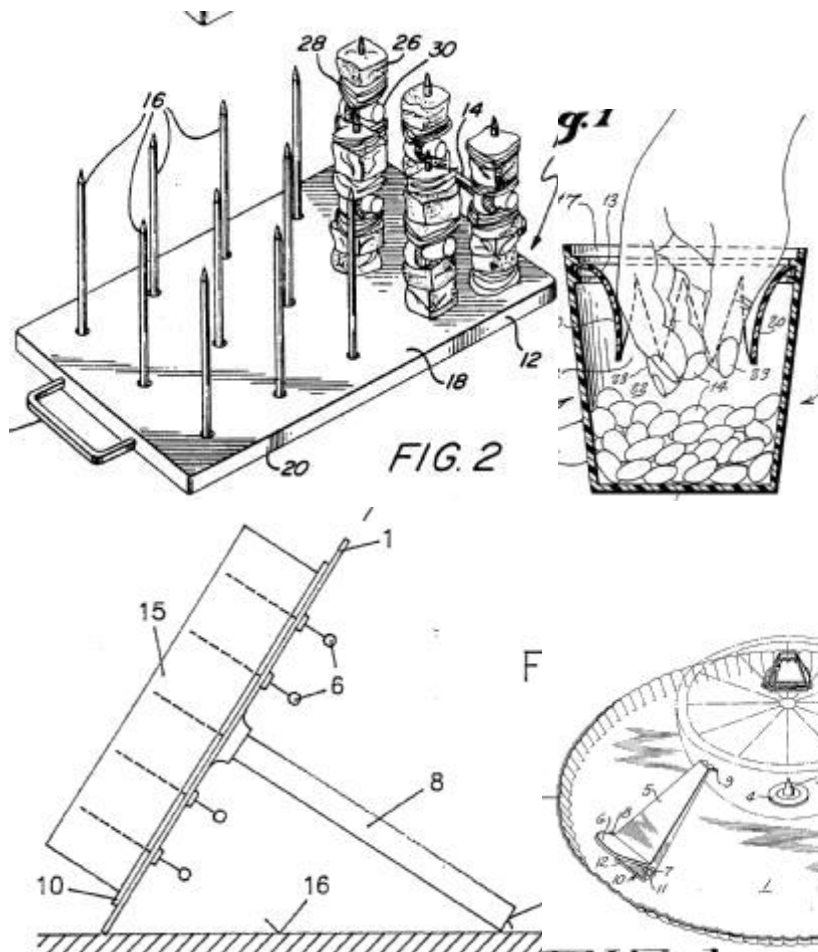
### **Definition statement**

*This place covers:*

- Dishes or supports suitable for particular types of foodstuff (taco shells, popcorn, nuts, pickles, olives, shell fish (citrus) fruit, food on sticks/skewers, etc.)
- Non-spill food/snack dishes
- Dishes with means for lifting preserved foodstuff out of liquid in which they are kept
- (collapsible) Stands for plates or dishes
- Supports (turntables) for decorating cakes
- Table trash receptacles







## References

### Informative references

Attention is drawn to the following places, which may be of interest for search:

Closed kitchen containers for foodstuffs	<a href="#">A47J 47/02</a>
Nestable, stackable, or joinable containers	<a href="#">B65D 21/00</a>
Rigid containers having false bottoms provided with passages for draining and receiving liquids	<a href="#">B65D 81/262</a>
Containers or packages provided with a piston or movable bottom being pulled upwards to dispense the contents	<a href="#">B65D 83/768</a>

## A47G 19/303

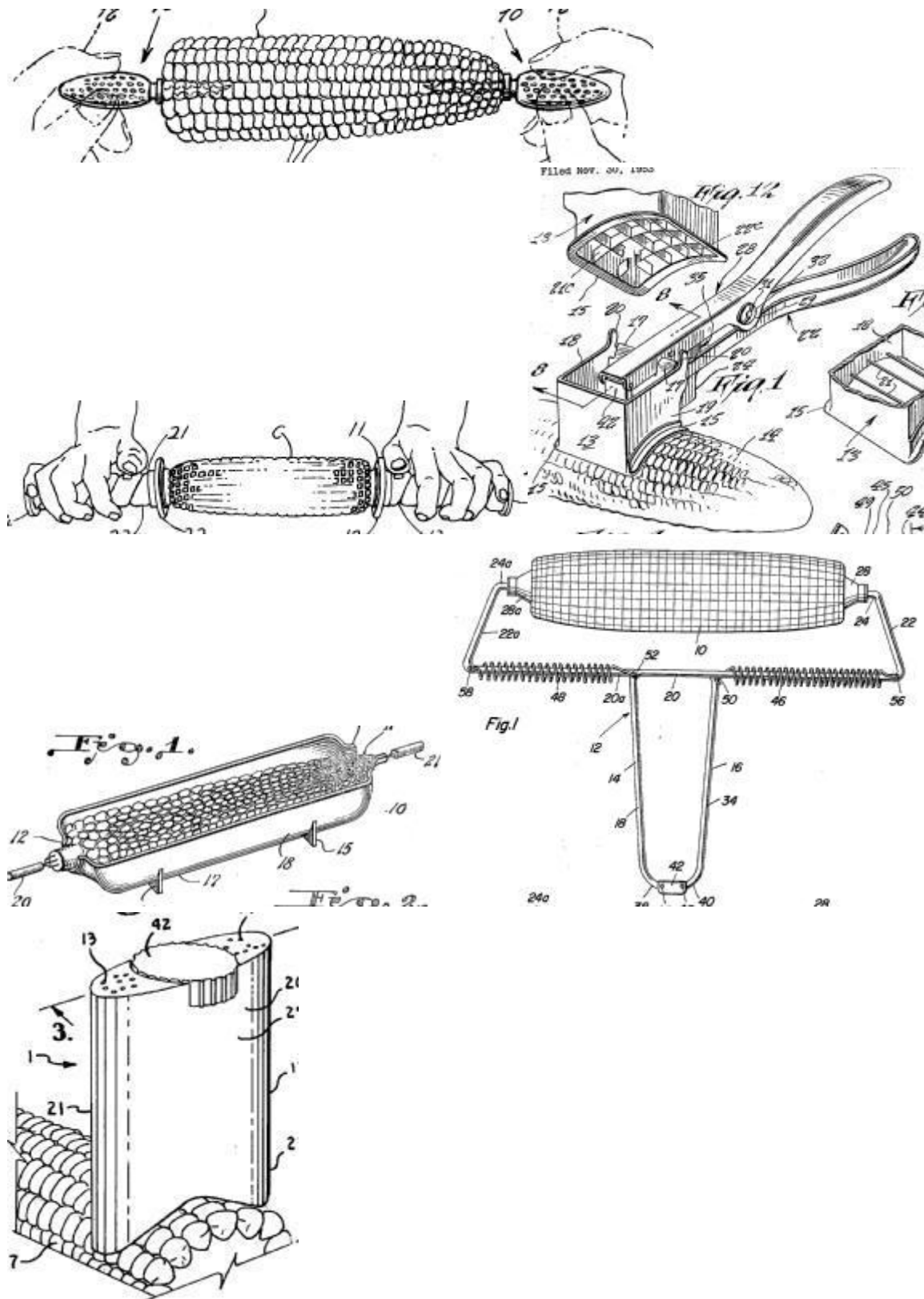
{Corn cob holders; Butter spreading devices therefor}

### Definition statement

This place covers:

- Corn cob holders
- Devices for spreading butter on corn cobs
- Dishes for corn on the cob





**References**

**Informative references**

Attention is drawn to the following places, which may be of interest for search:

Coated/coating of foodstuffs with edible coatings	<a href="#">A23L 5/00</a>
---	---------------------------

Apparatus for spreading butter on other food items	<a href="#">A47J 9/001</a>
Tongs; Devices for picking, holding or rotating food	<a href="#">A47J 43/283</a>
Tools for buttering ear corn	401/12 (UC)
Ear-corn holders	294/5 (UC)
Hand operated butter applicators	D7/670 (UC)

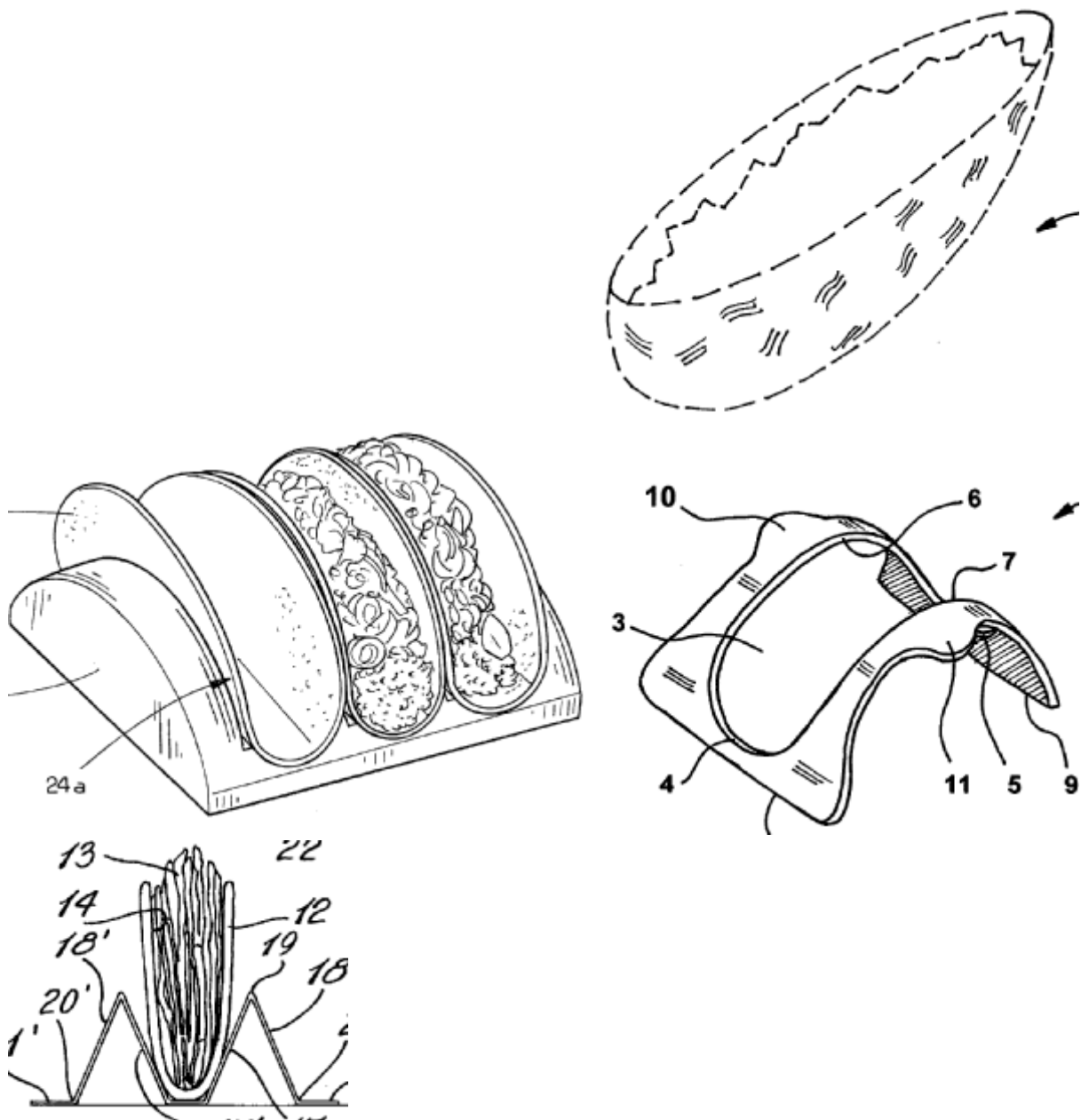
## A47G 2019/306

### {Taco stands}

#### Definition statement

*This place covers:*

- Stands for supporting one or more taco shells for example while filling



## **A47G 19/32**

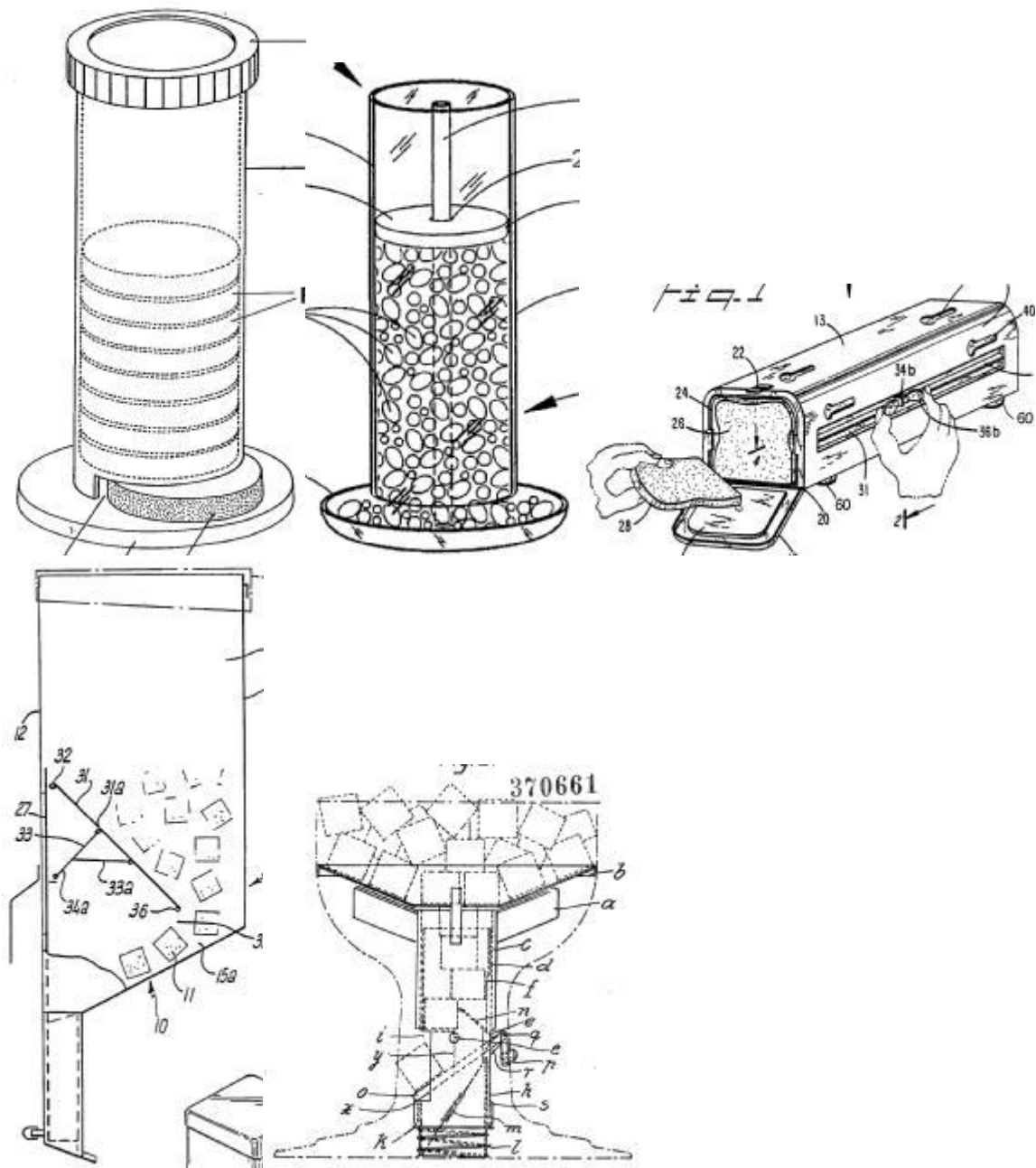
**Food containers with dispensing devices for bread, rolls, sugar, or the like;  
Food containers with movable covers (used as shop fittings [A47F](#))**

### **Definition statement**

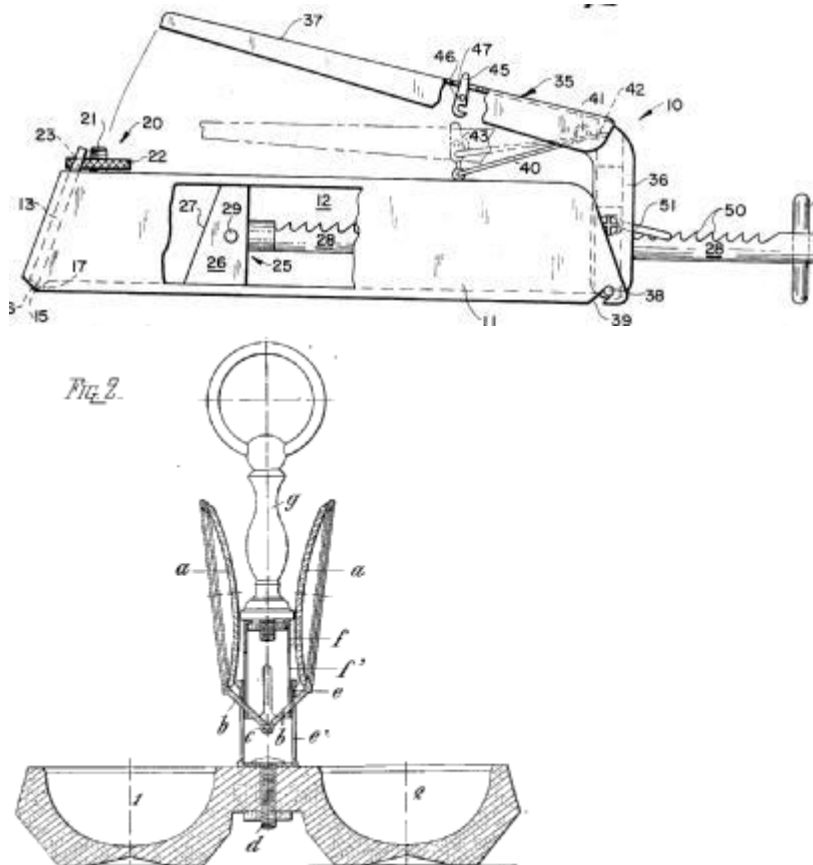
*This place covers:*

Food containers for storing and dispensing

- Bread (sliced)
- ice cubes
- sugar (cubes)
- butter
- cheese
- nuts
- breakfast cereals



Definition statement



**References**

**Informative references**

Attention is drawn to the following places, which may be of interest for search:

Used as shop fittings	<a href="#">A47F</a> (racks for dispensing merchandise <a href="#">A47F 1/00</a> )
Kitchen containers with dispensing devices	<a href="#">A47J 47/01</a>
Bread boxes	<a href="#">A47J 47/12</a>
Containers or packages with special means for dispensing contents	<a href="#">B65D 83/00</a>
Distributing ice	<a href="#">F25C 5/20</a>
Apparatus dispensing a predetermined volume of fluid or fluent solid material	<a href="#">G01F 11/00</a>

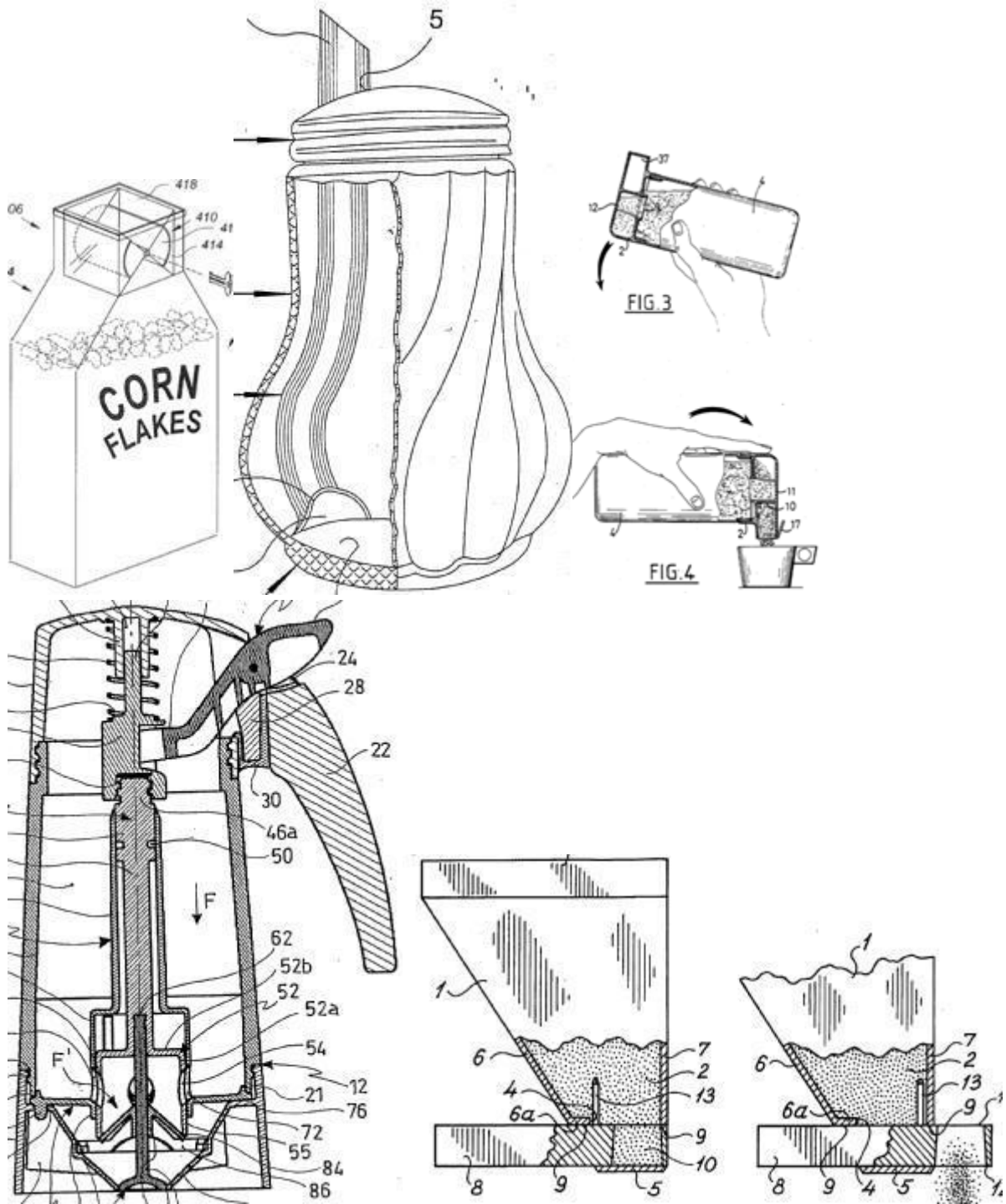
**A47G 19/34**

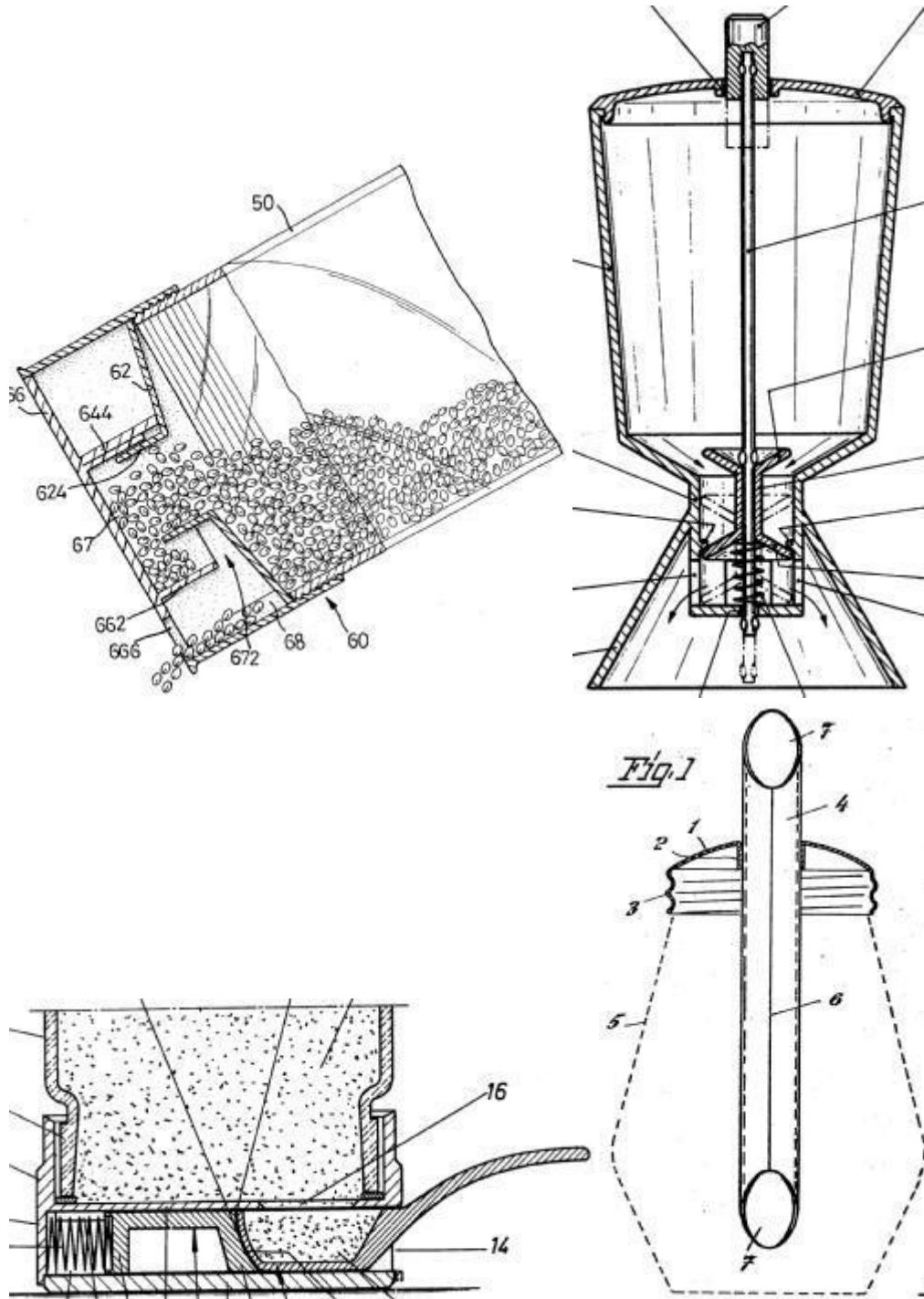
**dispensing a certain quantity of powdered or granulated foodstuffs, e.g. sugar**

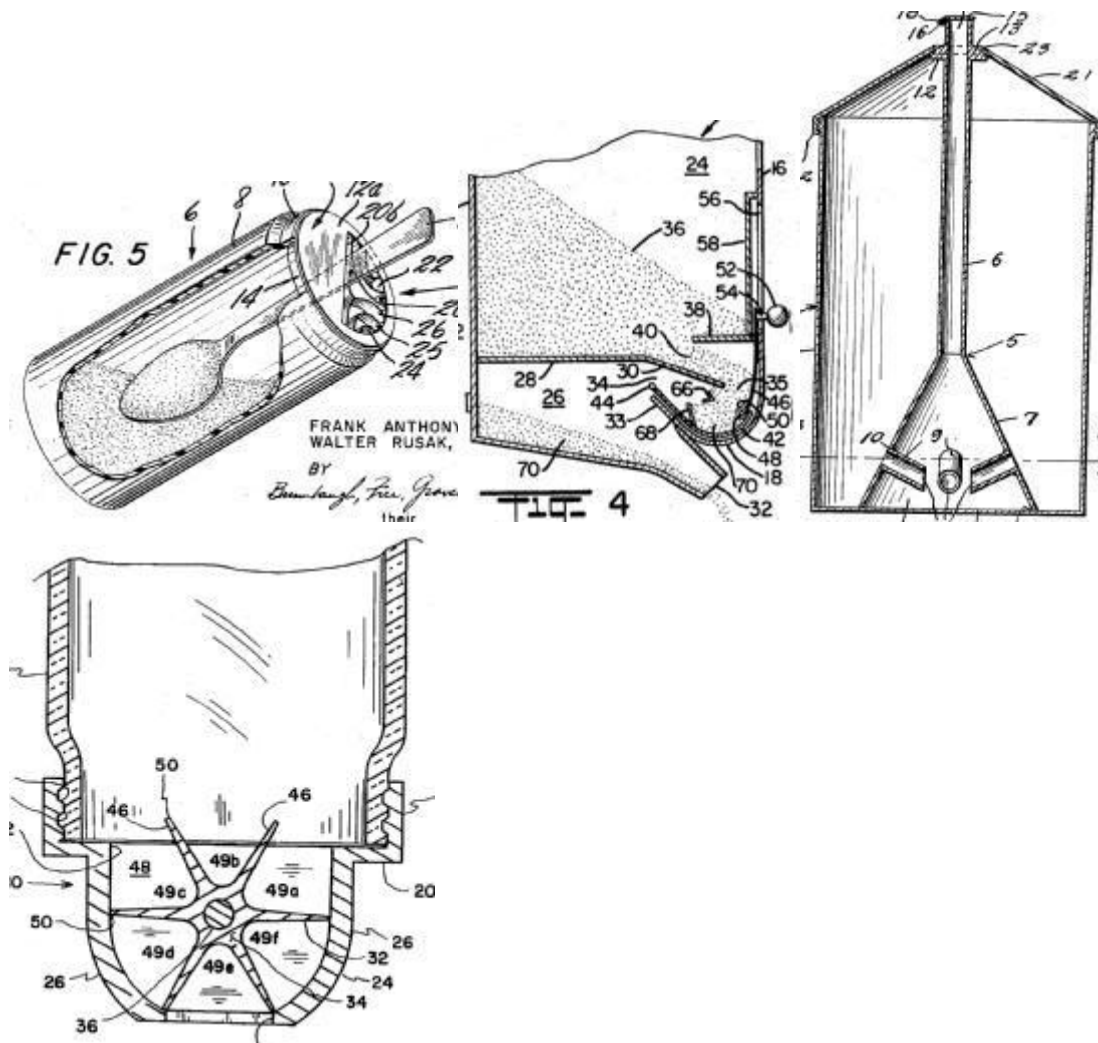
**Definition statement**

*This place covers:*

- Food containers dispensing a certain quantity of sugar, coffee, cereals or similar powdered or granulated foodstuffs







**References**

**Informative references**

Attention is drawn to the following places, which may be of interest for search:

Racks for dispensing granulated or powdered merchandise	<a href="#">A47F 1/03</a>
Powder dosing devices for beverage-making apparatus	<a href="#">A47J 31/40</a>
Kitchen containers with dispensing devices	<a href="#">A47J 47/01</a>
Dispensers for powdered soap	<a href="#">A47K 5/10</a>
Containers or packages with special means for dispensing powdered or granular material	<a href="#">B65D 83/06</a>
Apparatus dispensing a predetermined volume of fluid or fluent solid material	<a href="#">G01F 11/00</a>



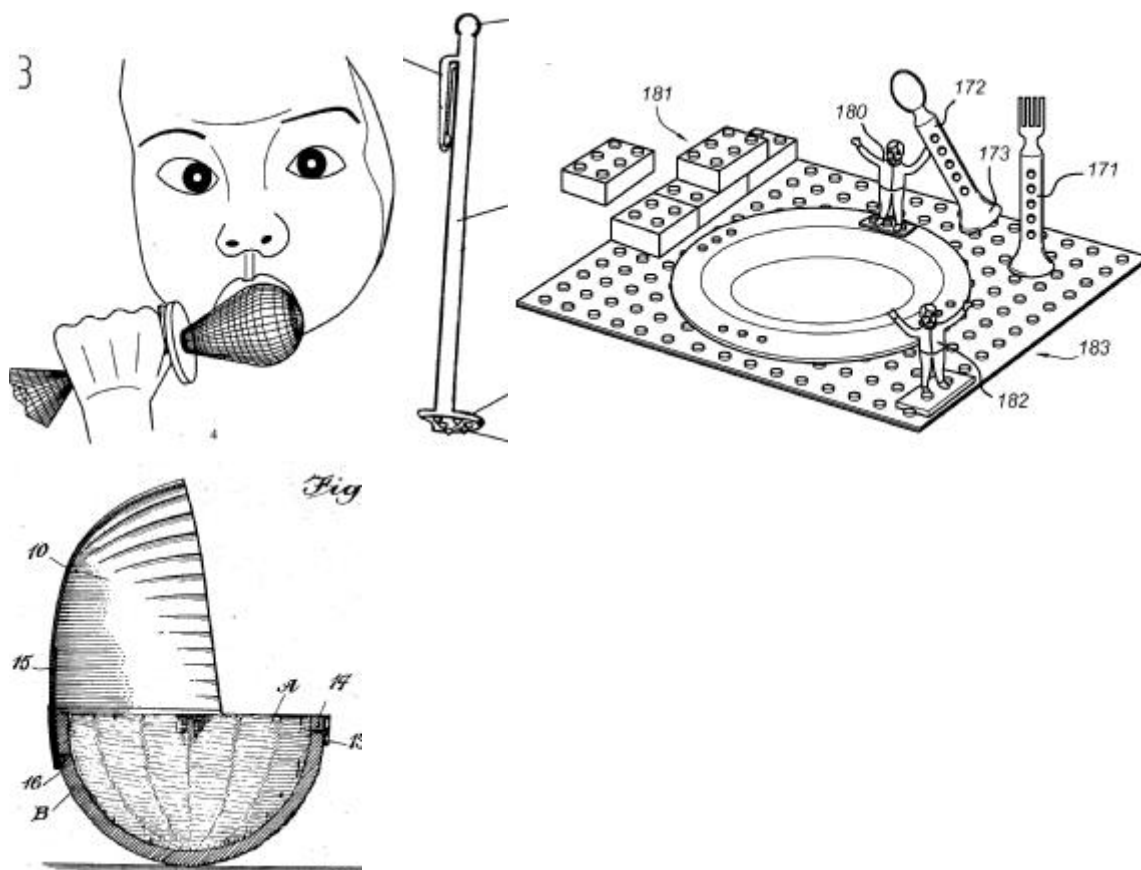
**A47G 21/00**

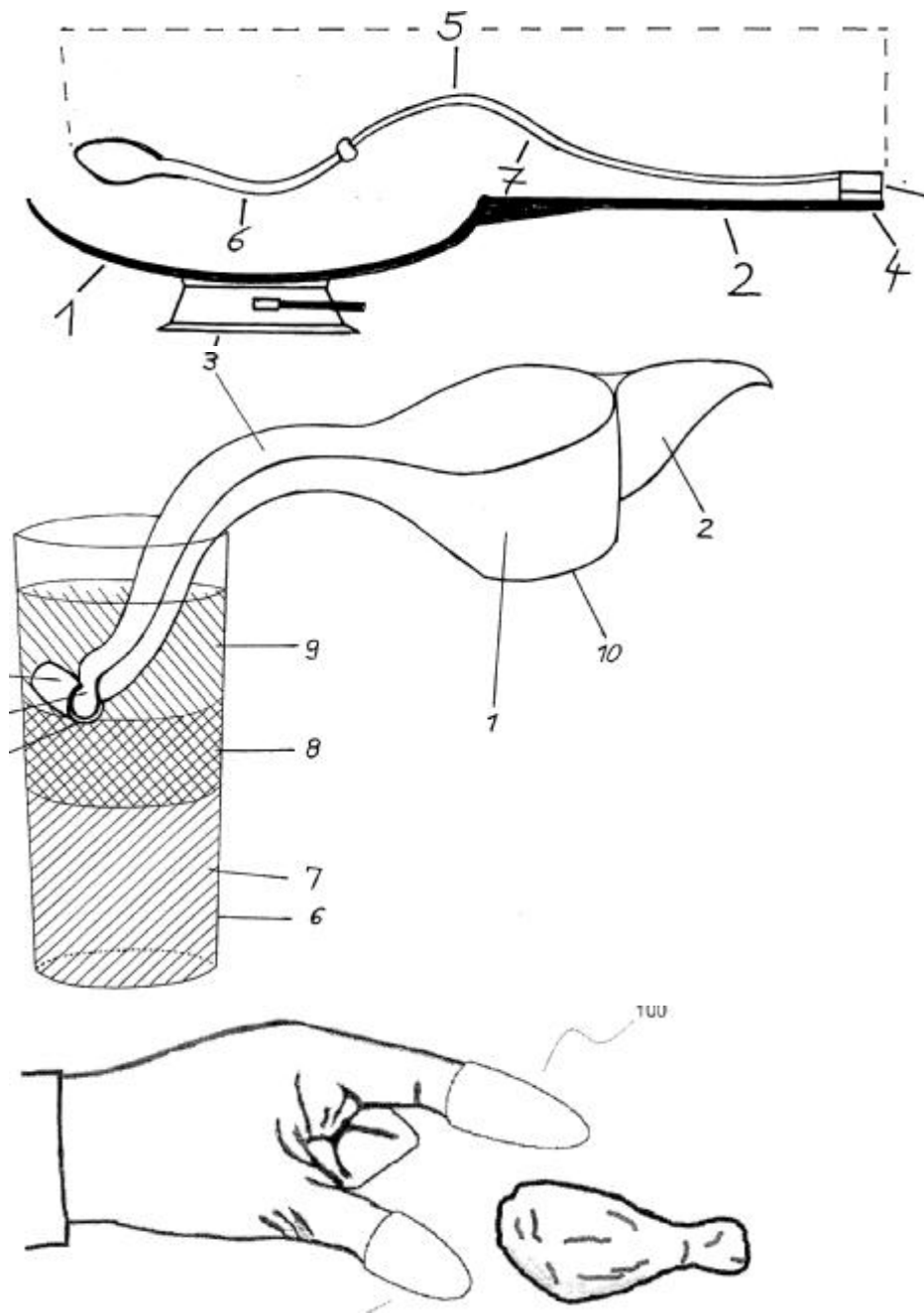
Table-ware (crumb trays [A47L 13/52](#); table knives [B26B](#))

**Definition statement**

*This place covers:*

- Stirrers for drinks
- Devices for making layered drinks
- Table-ware characterised by the material
- Complete dinnerware sets
- Table-ware sets for monitoring eating patterns
- Illuminated cutlery
- Combined teething and feeding apparatus for infants
- Childrens cutlery with fixing straps
- Eating "caps" to put one or more finger(s)
- "Animated" cutlery for children
- Shields for eating citrus fruits





**References**

**Informative references**

Attention is drawn to the following places, which may be of interest for search:

Other forms of jewellery	<a href="#">A44C 15/00</a>
Stirring devices see also	<a href="#">A47J 43/27</a>
Other culinary hand implements	<a href="#">A47J 43/28</a>
Crumb trays	<a href="#">A47L 13/52</a>
Manufacture of articles from metallic powder characterised by the special shape	<a href="#">B22F 5/00</a>
Table knives	<a href="#">B26B</a>
Closures provided with eating utensils	<a href="#">B65D 51/246</a>

Treatment of water	<a href="#">C02F 1/00</a>
Coating metallic material surfaces or coating with metallic materials	<a href="#">C23C</a>
Illuminated food dummies	<a href="#">F21V 33/0028</a>
Weighing apparatus	<a href="#">G01G 19/00</a> or <a href="#">G01G 21/00</a>

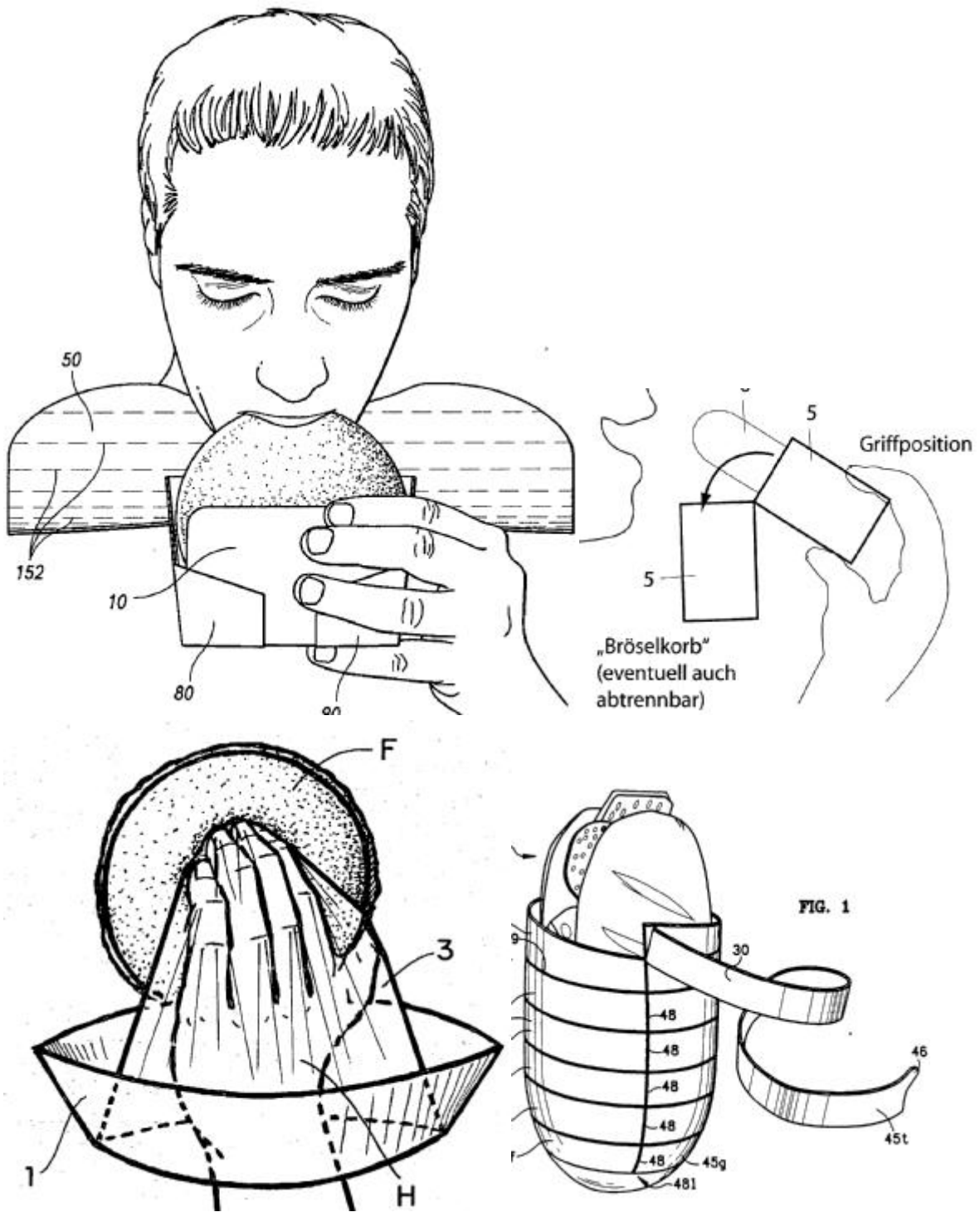
## **A47G 21/001**

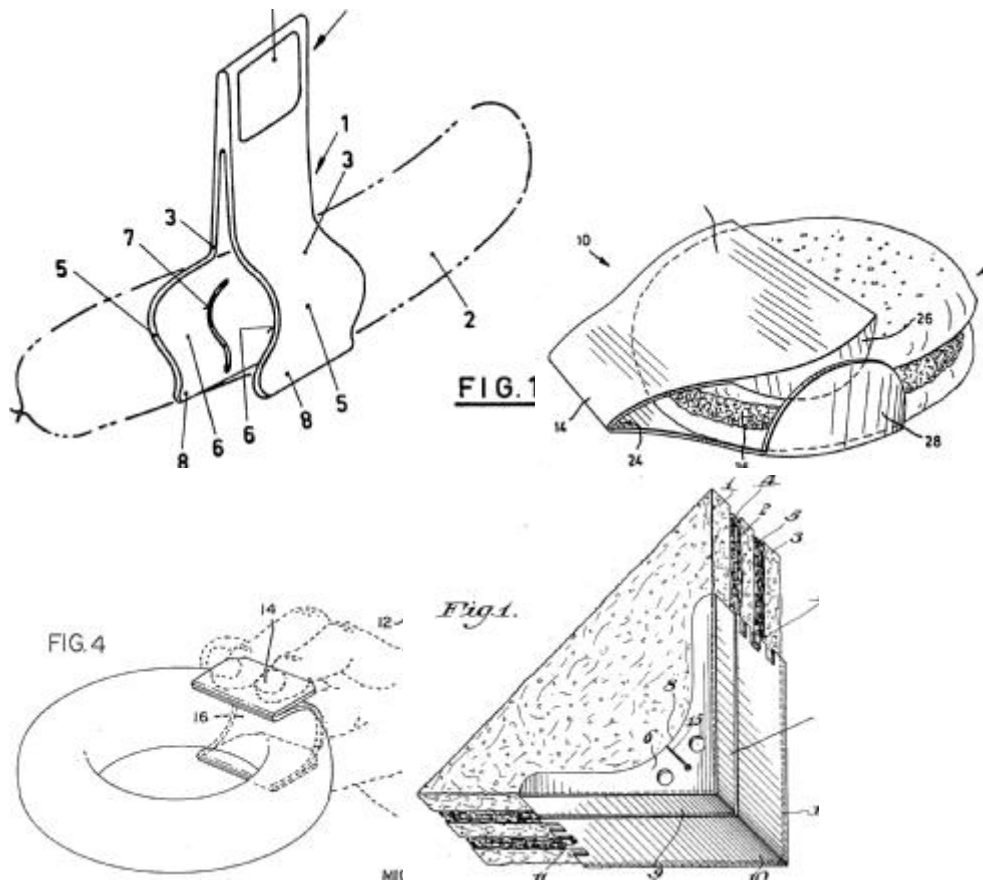
**{Holders or wrappers as eating aids for fast food, e.g. hamburgers}**

### **Definition statement**

*This place covers:*

- Wrappers or holders for fast-food, sandwiches etc. helping to avoid soiling hands and clothes while eating
- Wrappers or holders gradually exposing only bite-sized portions while eating





**References**

**Informative references**

Attention is drawn to the following places, which may be of interest for search:

Table napkins	<a href="#">A47G 11/001</a>
Food tongs	<a href="#">A47G 21/10</a>
Burger containers e.g. cartons of polygonal cross-section, formed by folding or erecting one or more blanks made of paper	<a href="#">B65D 5/00</a>
Rectangular wrappers or flexible covers	<a href="#">B65D 65/10</a>
Packages comprising articles or materials partially or wholly enclosed in folded wrappers	<a href="#">B65D 75/00</a>
Containers, packaging elements or packages specially adapted for particular articles or materials	<a href="#">B65D 85/00</a>

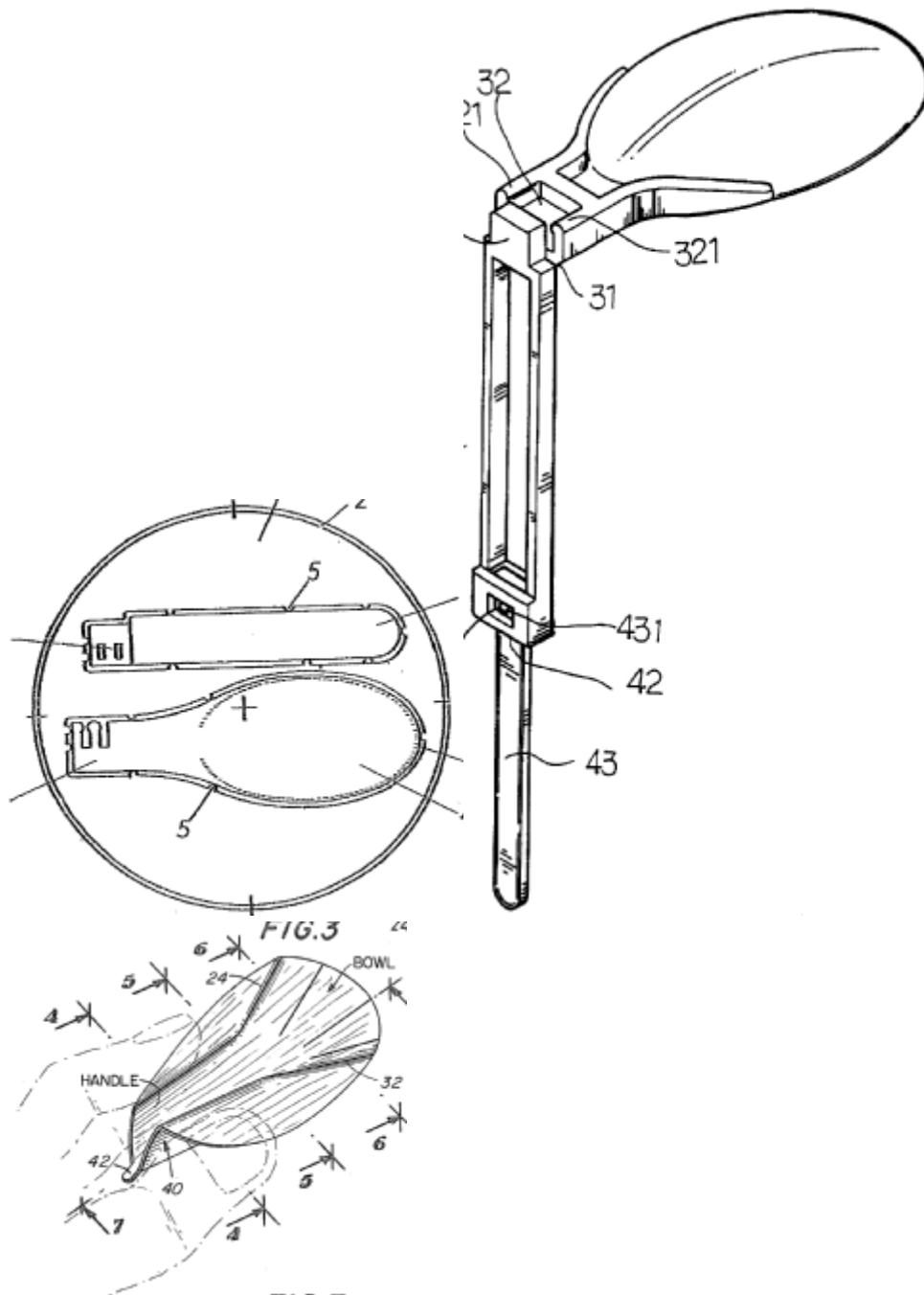
**A47G 2021/002**

{collapsible}

**Definition statement**

This place covers:

- Various types of collapsible forks or spoons



**References**

**Informative references**

Attention is drawn to the following places, which may be of interest for search:

Closures provided with eating utensils	<a href="#">B65D 51/246</a> and <a href="#">B65D 51/247</a>
Packages formed by enclosing spoons, forks or the like in preformed containers	<a href="#">B65D 77/245</a>

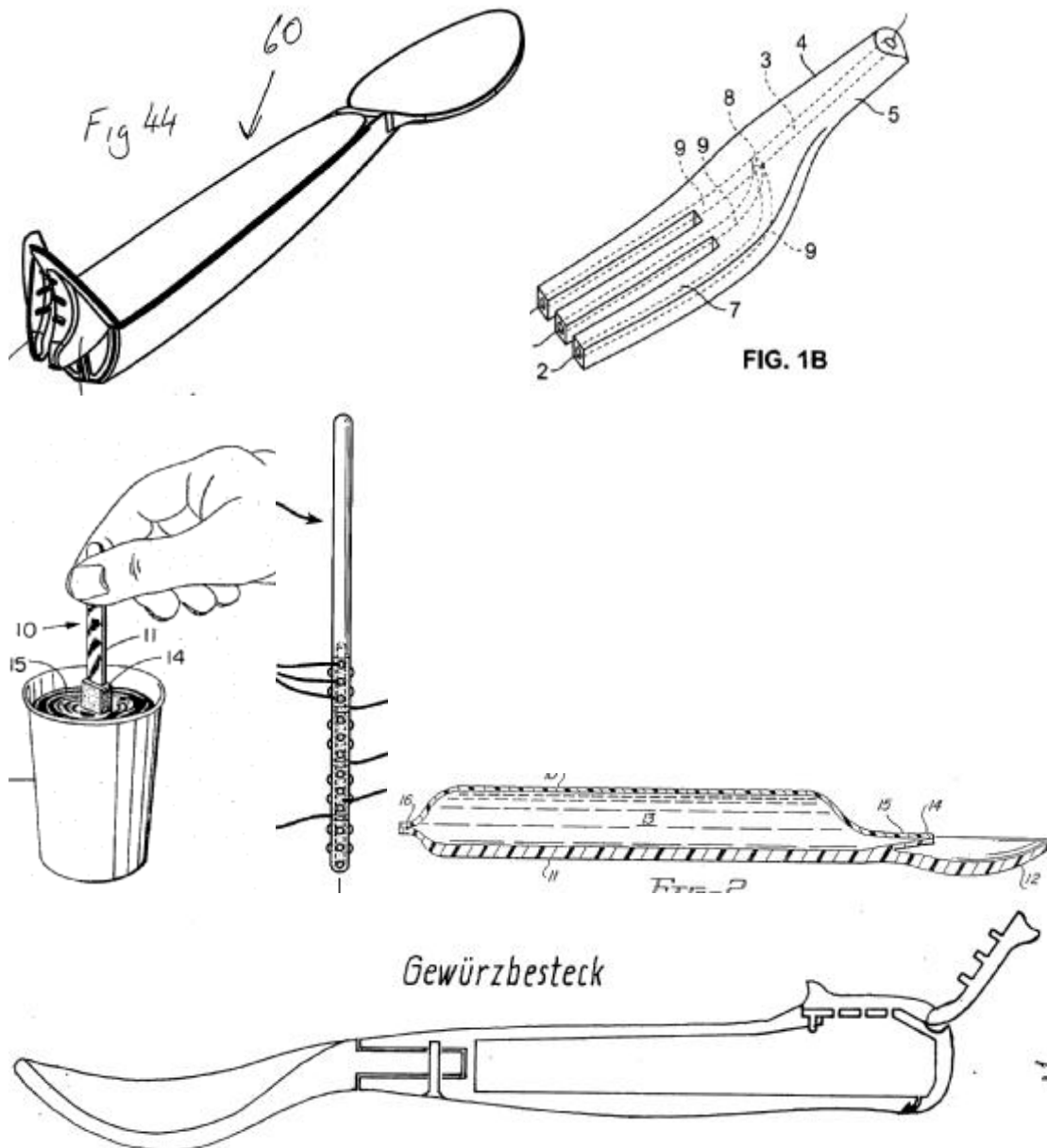
**A47G 21/004**

{Table-ware comprising food additives to be used with foodstuff (spoon-like infusers [A47G 19/16](#); drinking straws [A47G 21/183](#))}

**Definition statement**

*This place covers:*

- Cutlery containing additives (milk, sugar, spices, etc.)
- Cutlery with soluble parts

**References****Informative references**

Attention is drawn to the following places, which may be of interest for search:

Re-usable tea infusers	<a href="#">A47G 19/16</a>
------------------------	----------------------------

Drinking straws with additives	<a href="#">A47G 21/183</a>
Foodstuffs fixed on a non-edible supporting member	<a href="#">A23P 10/10</a>
Spoons specially adapted for taking medicines	<a href="#">A61J 7/0023</a>
Containers for packaging two or more different materials which must be maintained separate prior to use	<a href="#">B65D 81/32</a>
Tea bags for using only once	<a href="#">B65D 85/808</a>
Measuring spoons or scoops	<a href="#">G01F 19/002</a>
Spoons with additives	A47G21/04&D (FI)

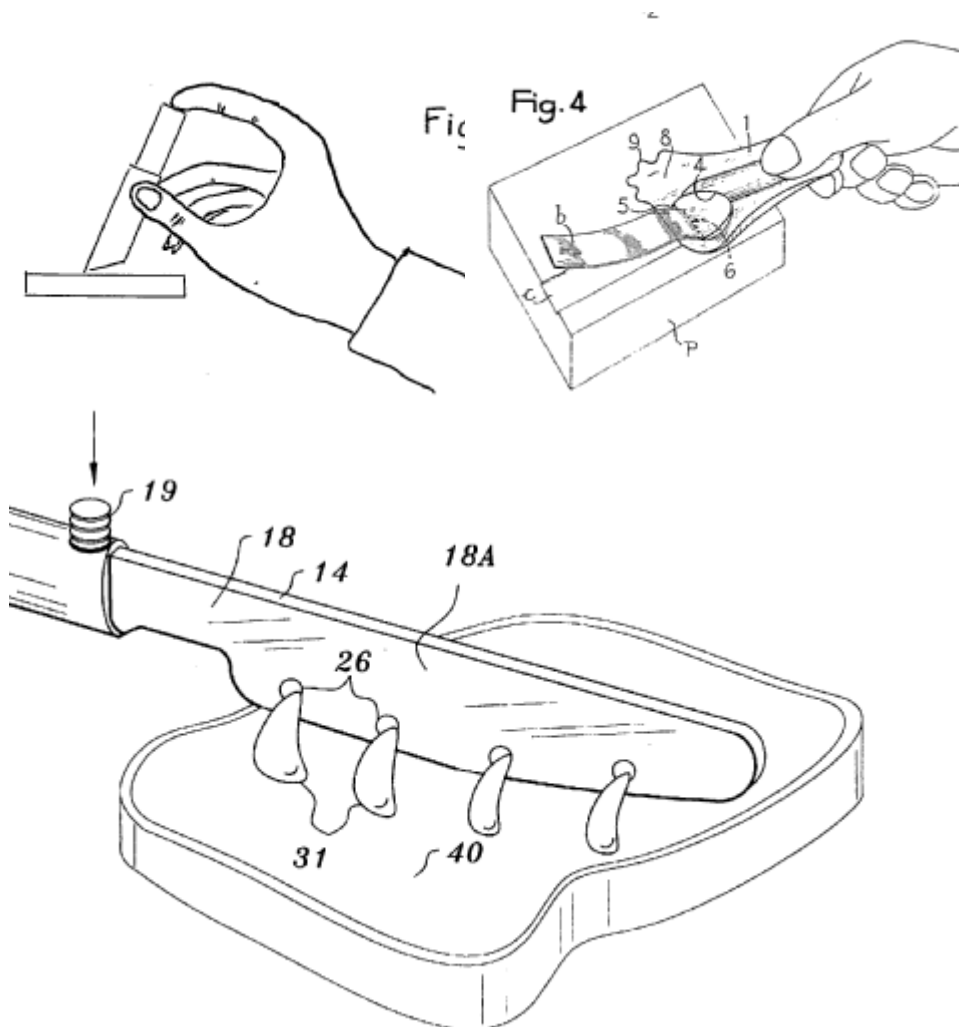
## A47G 21/005

{Devices for spreading butter (for corn cob holders [A47G 19/303](#); apparatus or utensils for shaping butter or the like [A47J 9/00](#))}

### Definition statement

*This place covers:*

- Table-ware for spreading and/or softening butter





## References

### Informative references

Attention is drawn to the following places, which may be of interest for search:

Containers for delivering jam, mustard, or the like	<a href="#">A47G 19/18</a>
Corn cob holders	<a href="#">A47G 19/303</a>
Apparatus for spreading granular material on, or sweeping or coating the surface of baked articles	<a href="#">A21C 15/002</a>
Apparatus or utensils for shaping butter or the like	<a href="#">A47J 9/00</a>
Other culinary hand implements	<a href="#">A47J 43/28</a>
Miscellaneous kitchen containers with dispensing devices	<a href="#">A47J 47/01</a>

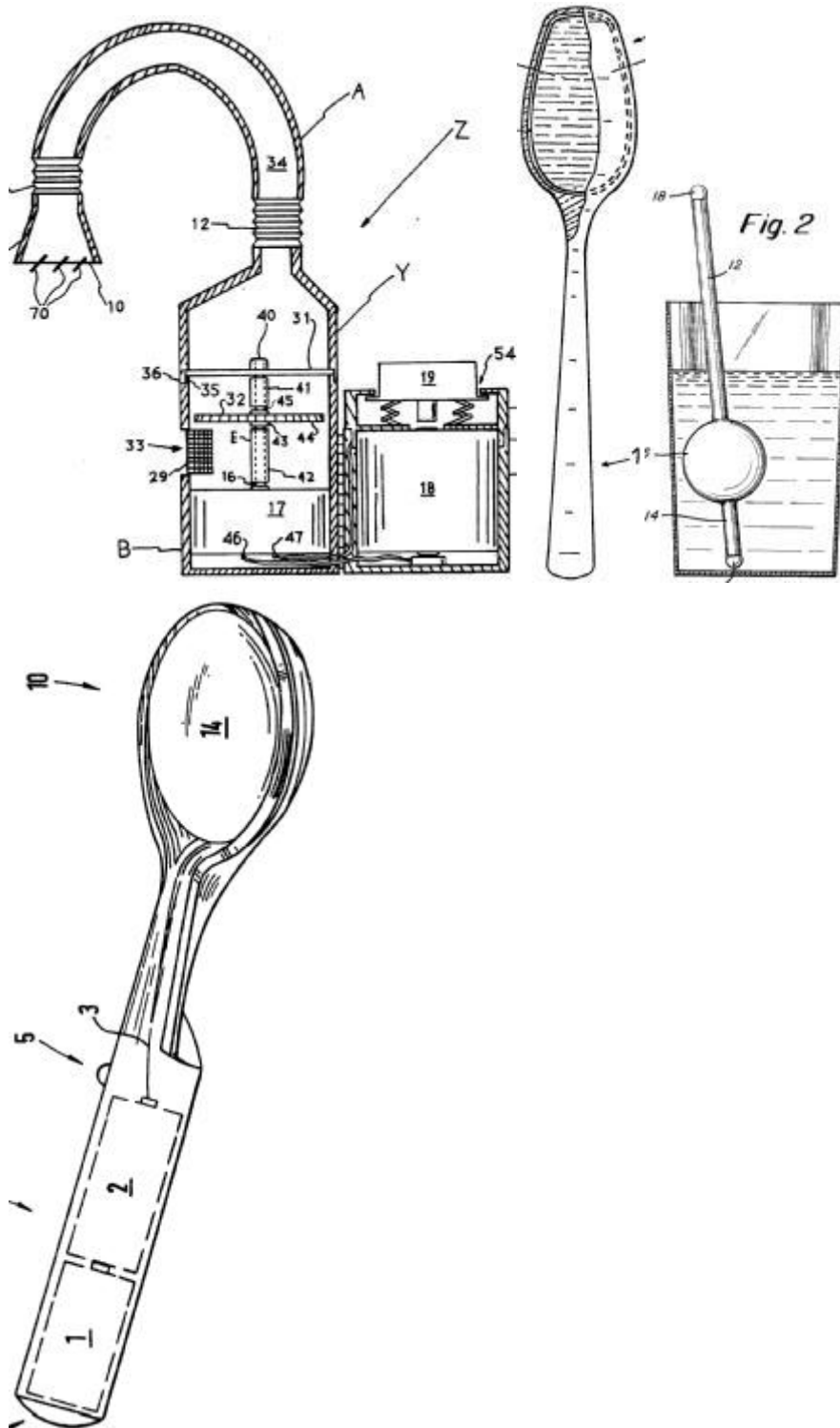
## A47G 21/007

{with means for keeping food cool or hot}

### Definition statement

*This place covers:*

- Utensil (spoons, stirrers, etc.) for cooling drinks
- Heated utensils for softening/warming foodstuff
- Food or beverage fanning utensils



**References**

**Informative references**

Attention is drawn to the following places, which may be of interest for search:

Drinking straws with means for cooling the liquid	<a href="#">A47G 21/187</a>
Spoons for serving ice-cream	<a href="#">A47J 43/282</a>
Portable cooling devices using ice	<a href="#">F25D 3/08</a>

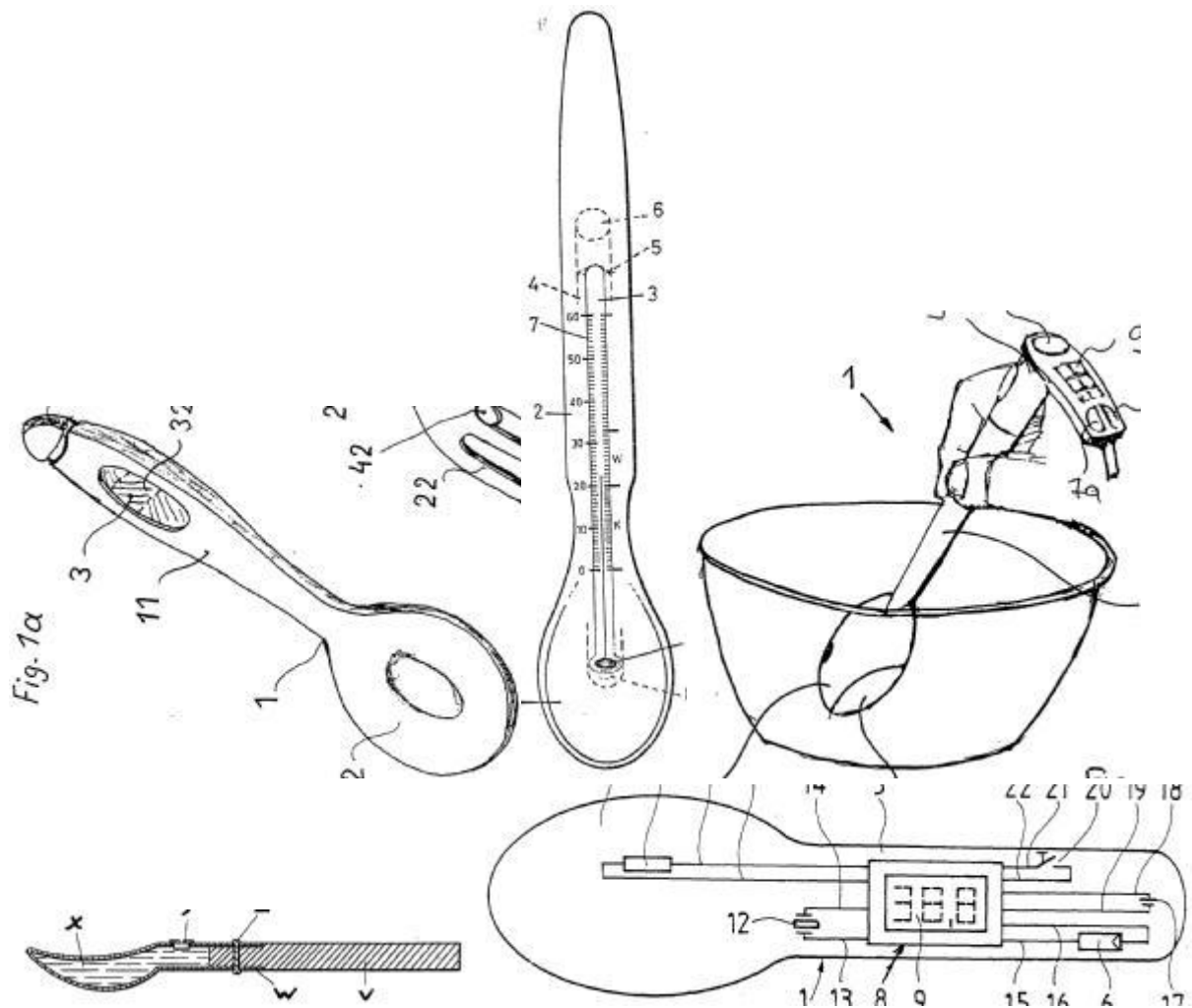
**A47G 2021/008**

{with means for influencing or monitoring the temperature of the food}

**Definition statement**

*This place covers:*

- Cutlery with various means for monitoring or influencing temperature

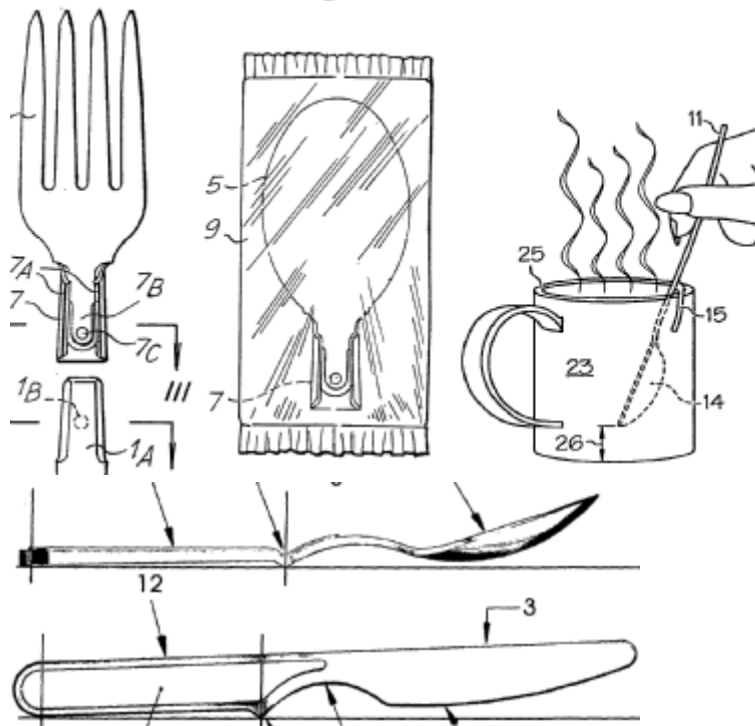
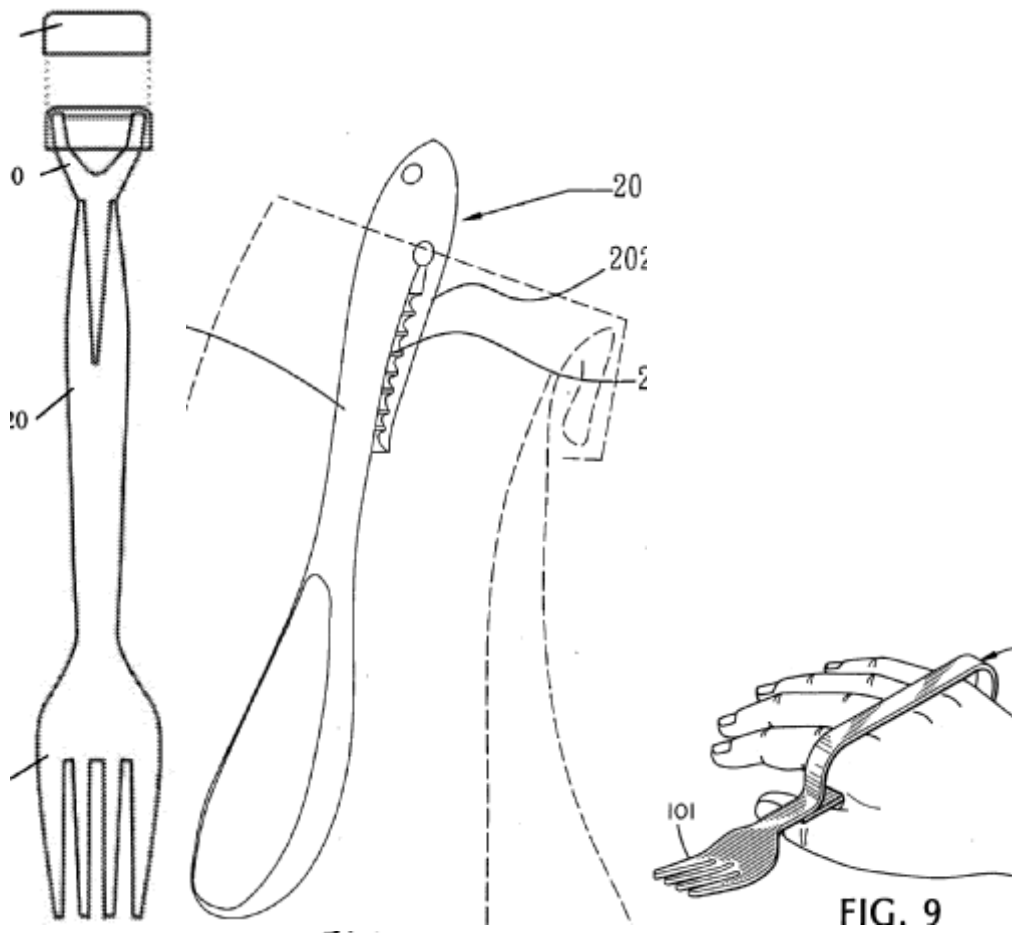
**A47G 21/02**

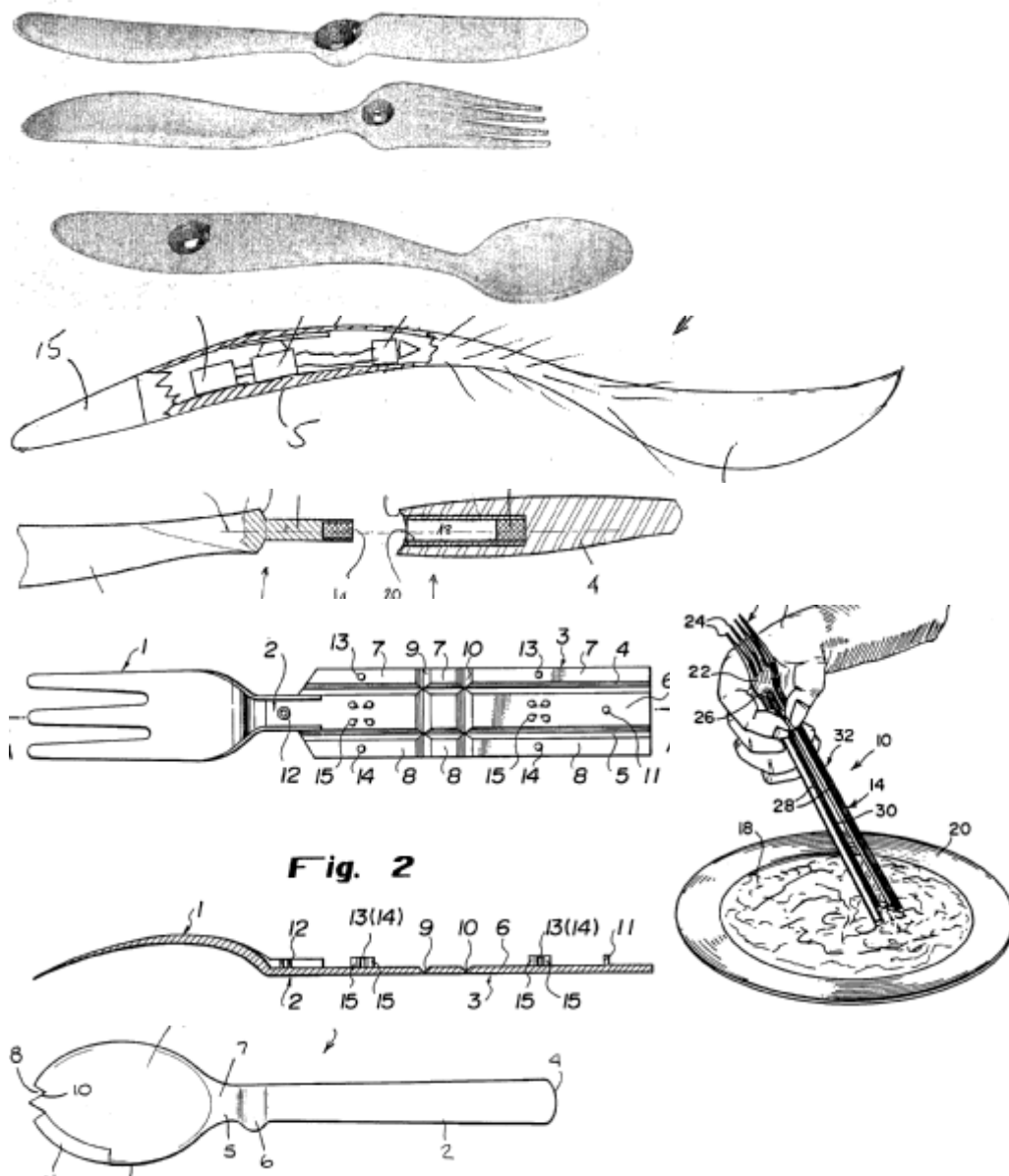
**Forks; Forks with ejectors; Combined forks and spoons; Salad servers**

**Definition statement**

*This place covers:*

- Connections between the handle and a spoon-, fork-, or knife part
- Other handle details applicable to all cutlery types (spoon, fork, knife)
- Combined cutlery, i.e. the same cutlery being able to perform the function of more than one cutlery type
- Salad servers





**Fig. 2**

**References**

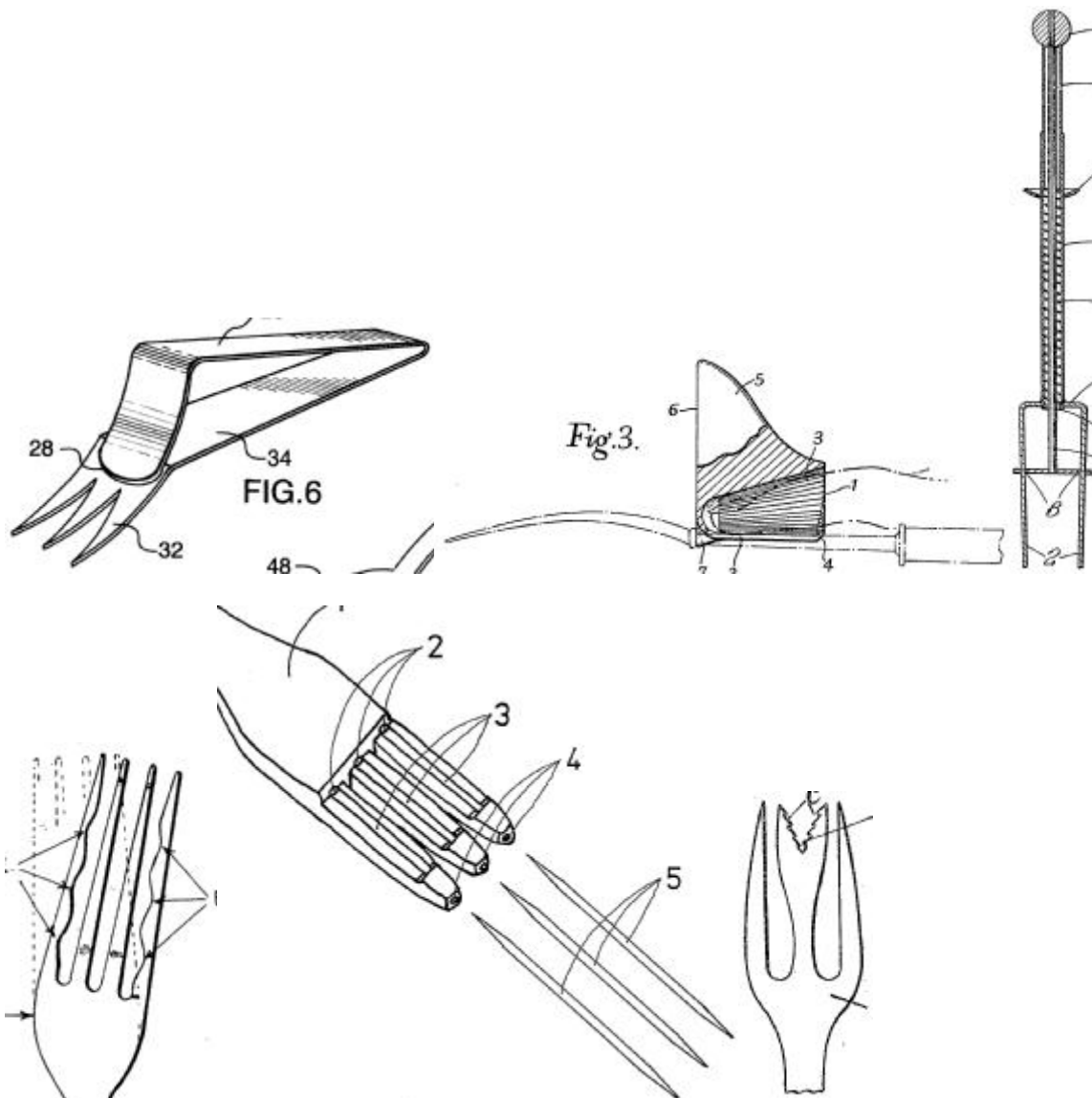
**Informative references**

Attention is drawn to the following places, which may be of interest for search:

Collapsible table-ware	<a href="#">A47G 2021/002</a>
Combined or separable sets of table-service utensils	<a href="#">A47G 21/06</a>
Serving devices for one-handed persons	<a href="#">A47G 21/08</a>
Other culinary hand implements	<a href="#">A47J 43/28</a>
Handle constructions	<a href="#">B25G 1/00</a>
Attaching handles to implements	<a href="#">B25G 3/00</a>
Table-knives	<a href="#">B26B 3/02</a>
Closures provided with eating utensils	<a href="#">B65D 51/246</a>
Packages with inserted utensils for removing the contents	<a href="#">B65D 77/245</a>

**A47G 21/023****{Forks; Forks with ejectors}****Definition statement***This place covers:*

- Forks
- Forks with ejectors
- Details of fork tines
- Fruit picks
- Carving forks with or without hand guards

**References****Informative references***Attention is drawn to the following places, which may be of interest for search:*

Other culinary hand implements	<a href="#">A47J 43/28</a>
Handle constructions	<a href="#">B25G 1/00</a>

Attaching handles to implements

[B25G 3/00](#)

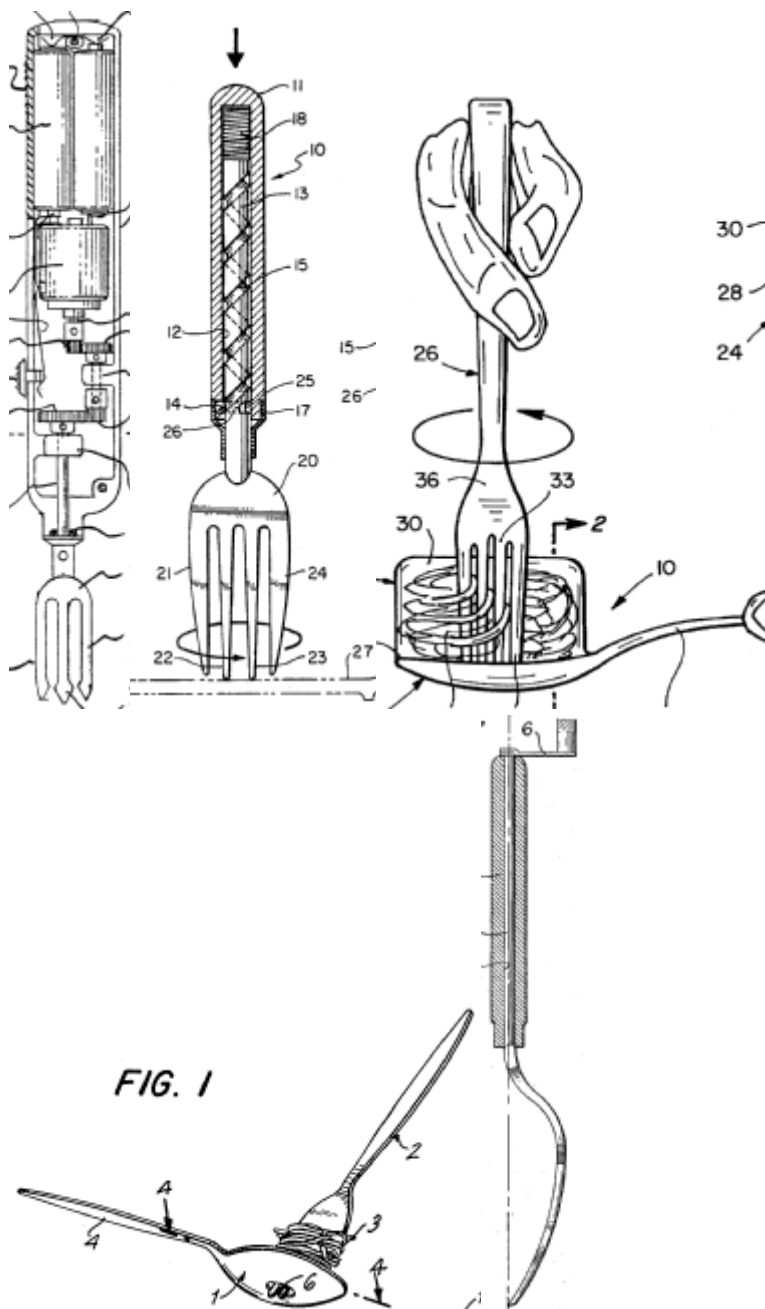
## A47G 21/026

{comprising means for rotating the fork, e.g. rotating spaghetti forks}

### Definition statement

*This place covers:*

- Motorized or hand-driven pasta twisting forks



## References

### Informative references

Attention is drawn to the following places, which may be of interest for search:

Portable, power-driven screwdrivers	<a href="#">B25B 21/00</a>
Hand knives with reciprocating motor-driven blades	<a href="#">B26B 7/00</a>

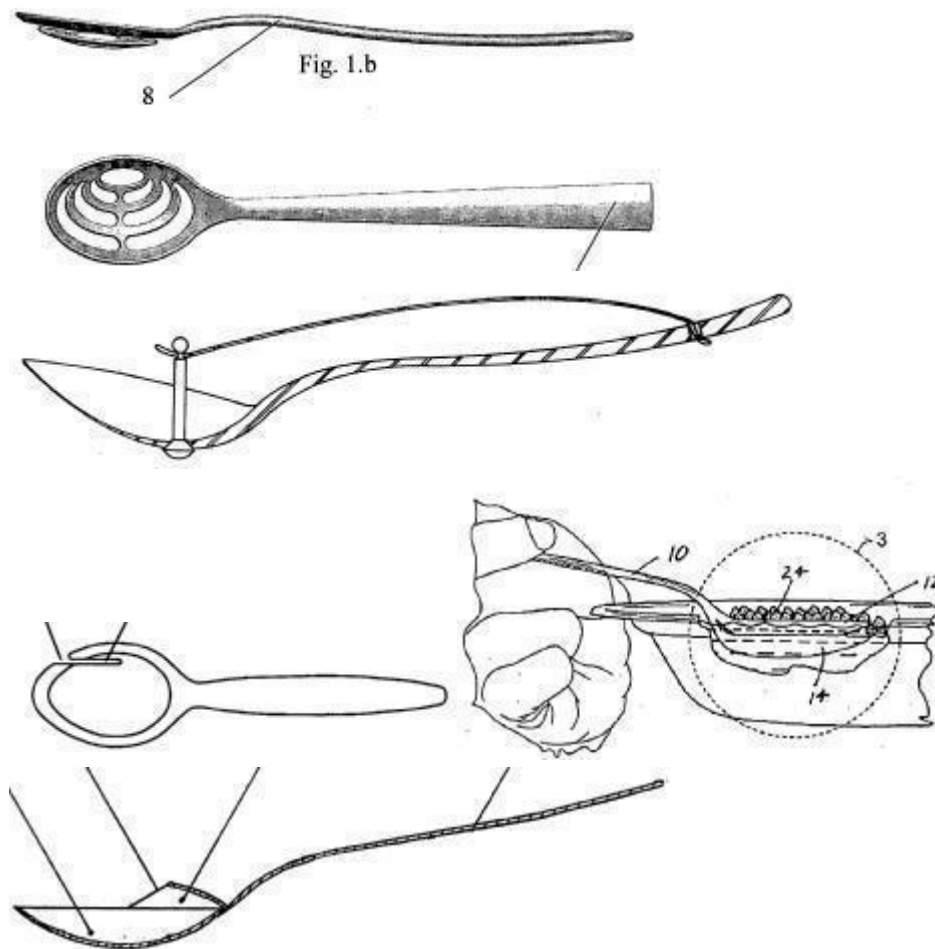
## A47G 21/04

### Spoons; Pastry servers

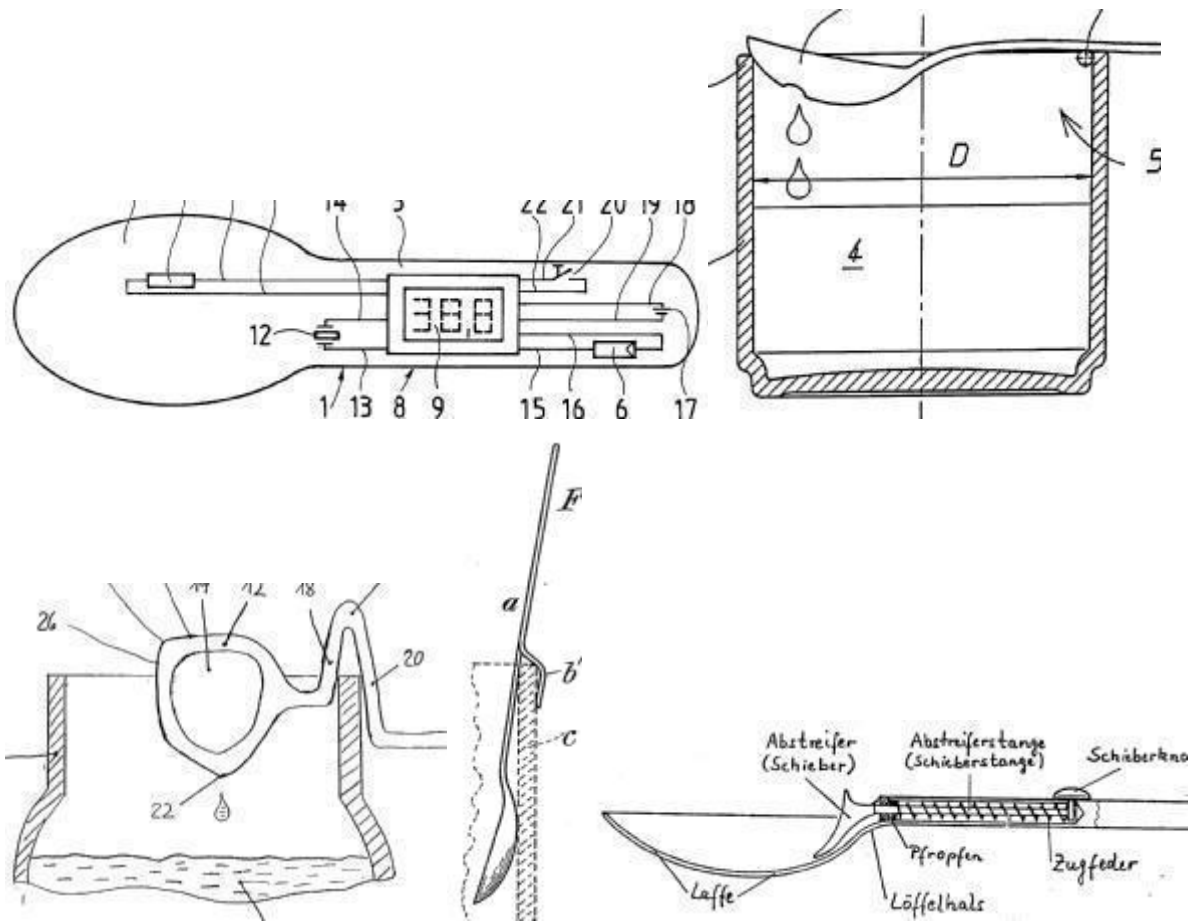
#### Definition statement

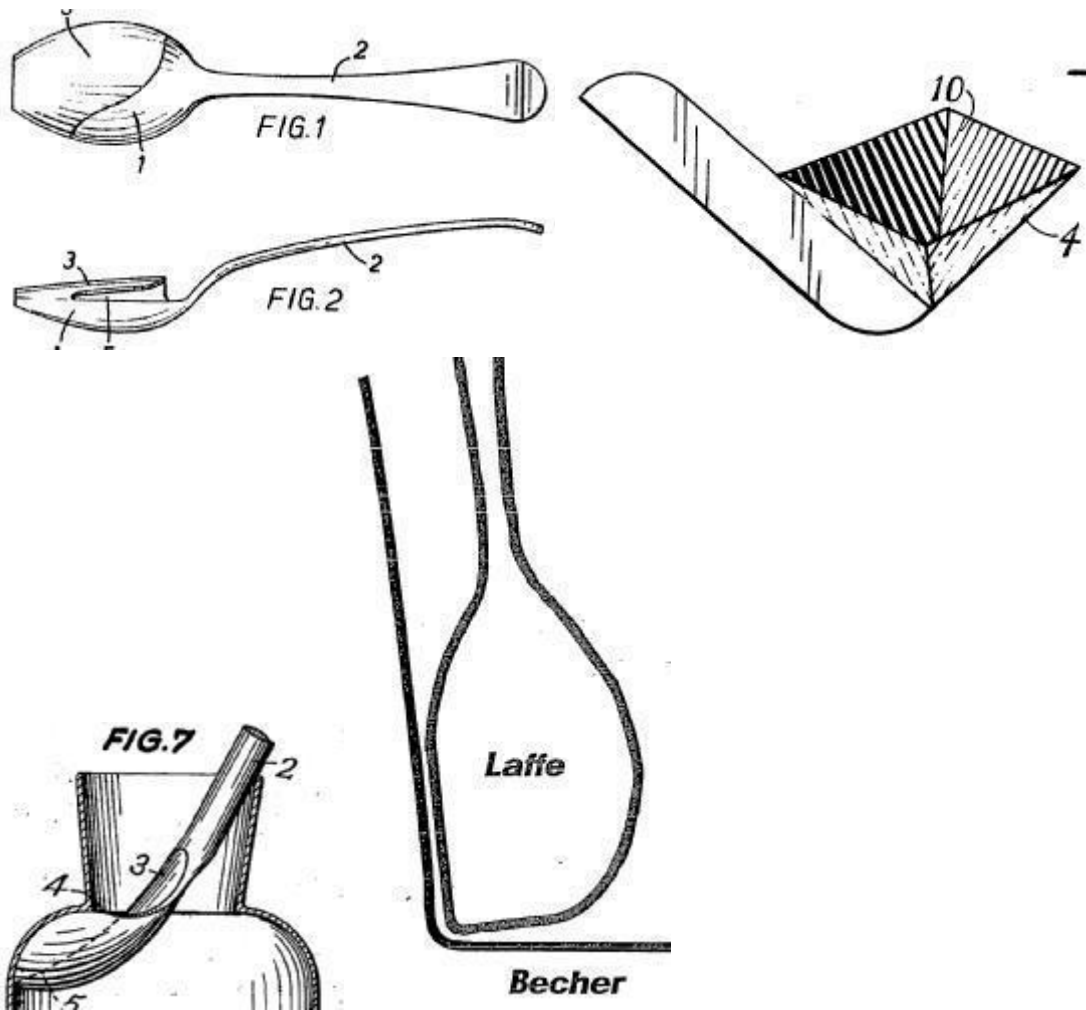
This place covers:

- Spoons especially for children (with thermometers, toys, teething rings, etc.)
- Spoons adapted for a particular type of foodstuff
- Collapsible or foldable spoons
- Scrapers for jars, vessels, plates or the like









**References**

**Informative references**

Attention is drawn to the following places, which may be of interest for search:

Measuring spoons or scoops	<a href="#">G01F 19/002</a>
Cooking spoons; Ladles	<a href="#">A47J 43/281</a>
Spatulas; Scrapers	<a href="#">A47J 43/288</a>
Containers enclosing articles (spoons, forks, spatulas, drinking straws)	<a href="#">B65D 77/24</a>
Spoons for taking medicines	<a href="#">A61J 7/0023</a>
Details of thermometers	<a href="#">G01K 1/00</a>
Closures combined with eating utensils or spatulas	<a href="#">B65D 51/246</a>
Weighing apparatus combined with handles of tools or household implements	<a href="#">G01G 19/56</a>
	30/324 (UC)

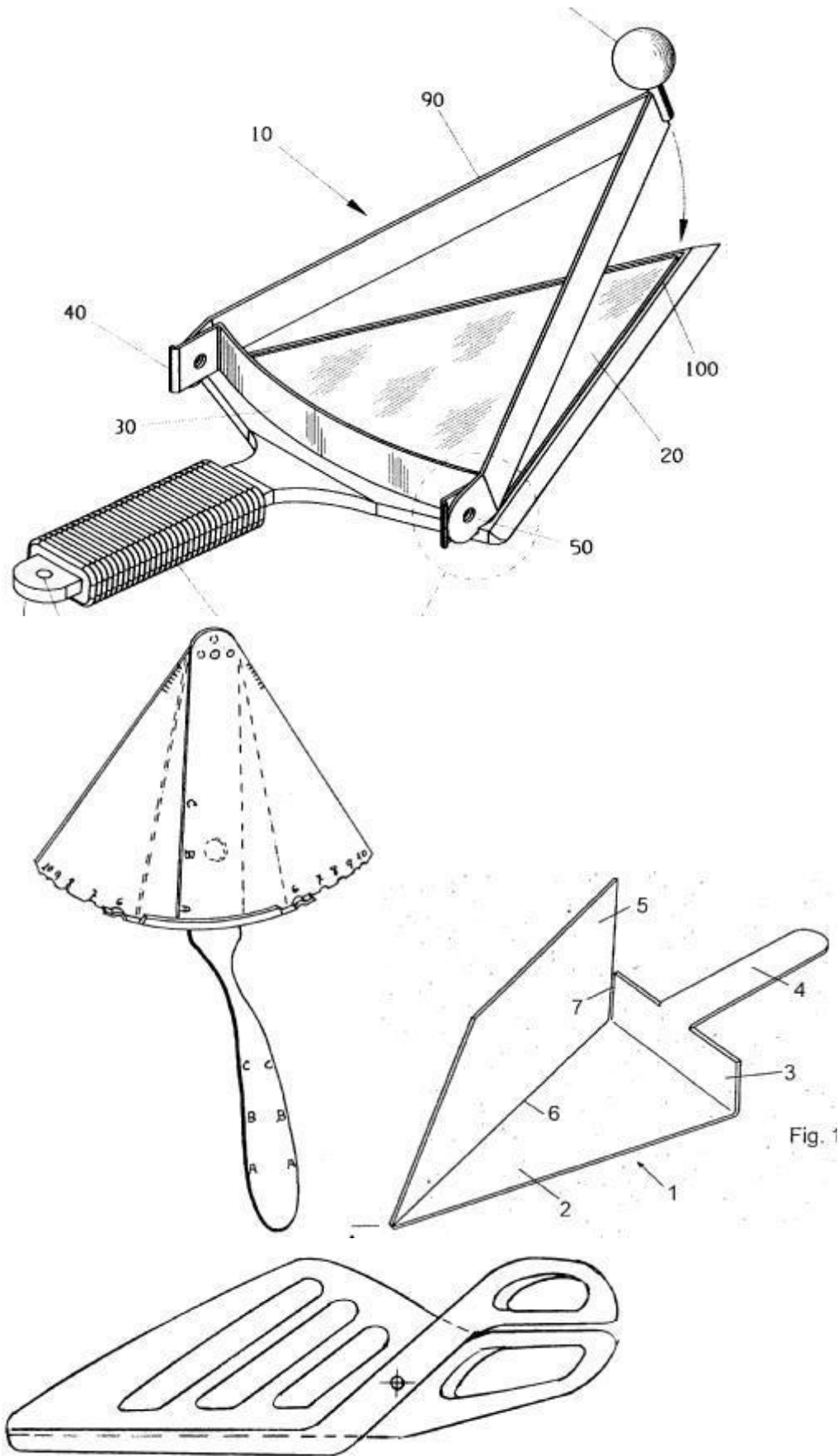
## **A47G 21/045**

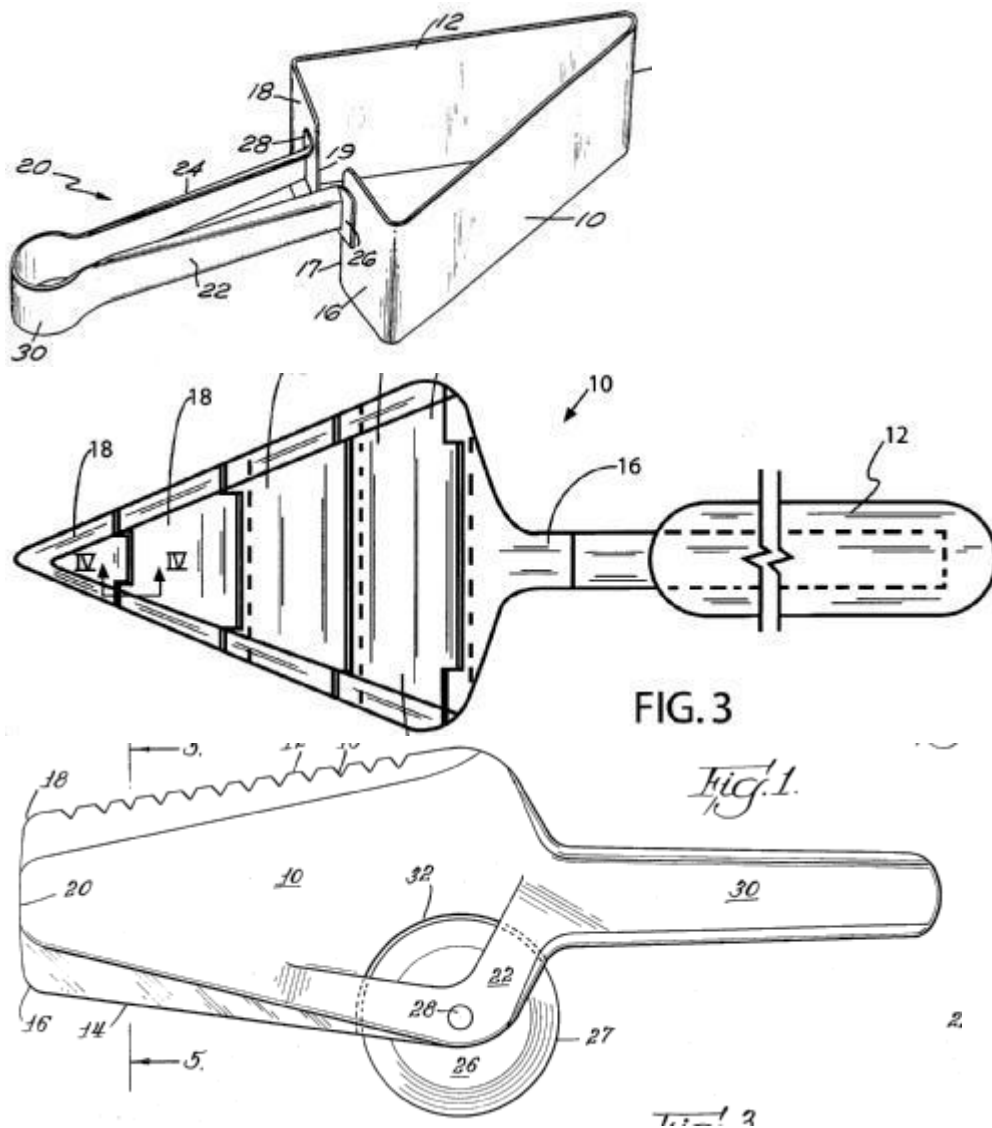
**{Pastry servers}**

### **Definition statement**

*This place covers:*

- Utensil for cutting and stabilizing pieces of cake while serving
- Similar devices for cutting and serving pizzas and the like
- Utensils with indications for cutting cakes into pieces of equal size
- Utensils with flexible or hinged blades





## References

### Informative references

Attention is drawn to the following places, which may be of interest for search:

Plates for dividing cakes into pieces of equal size	<a href="#">A47G 19/022</a>
Apparatus for handling baked articles	<a href="#">A21C 15/00</a>
Other culinary hand implements	<a href="#">A47J 43/28</a>
Hand knives with fixed blades	<a href="#">B26B 3/00</a>
Hand knives combined with other implements	<a href="#">B26B 11/00</a>
Scissors	<a href="#">B26B 13/00</a>
Hand cutting tools with rotating disc blades	<a href="#">B26B 25/00</a>

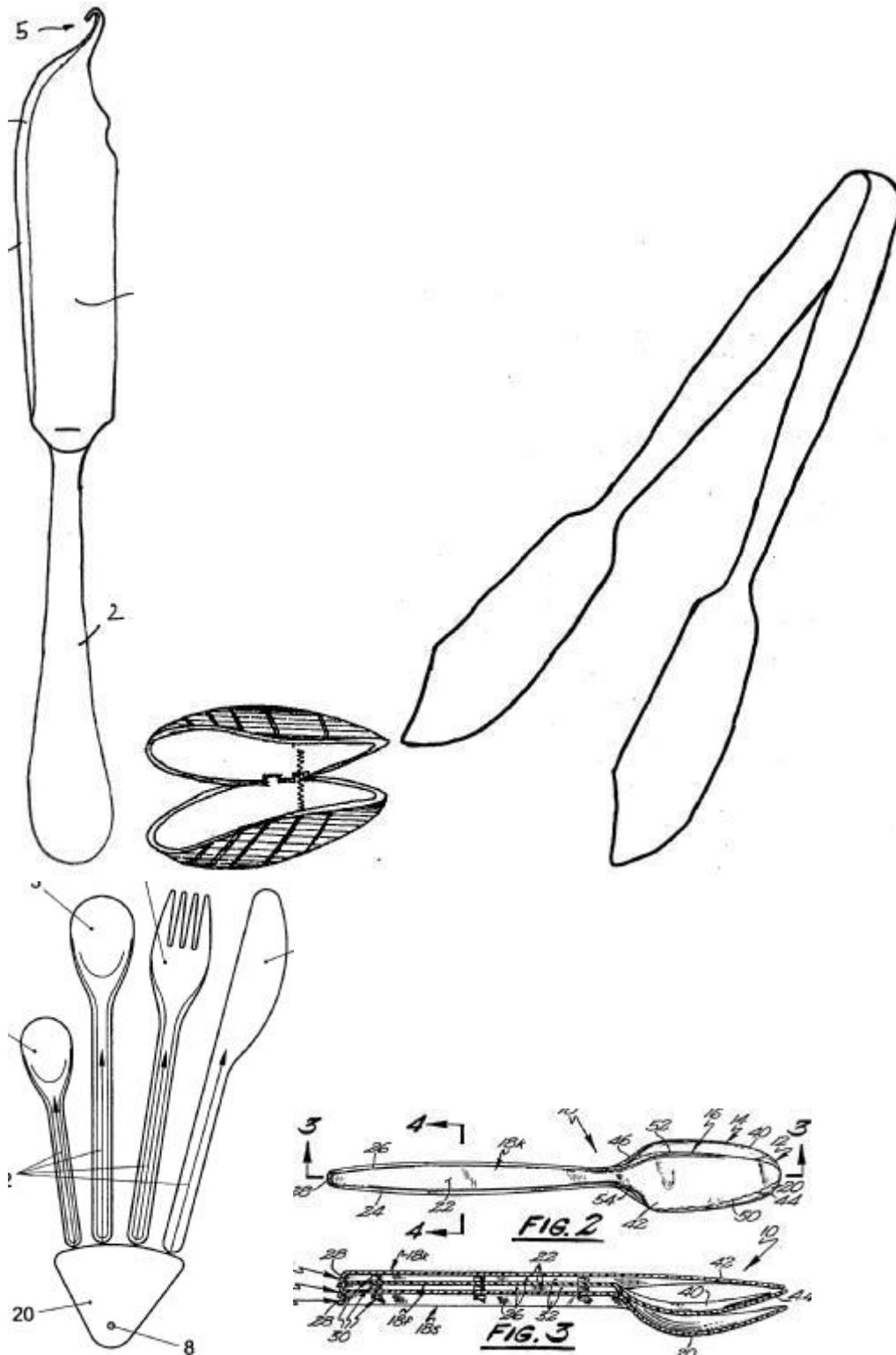
## **A47G 21/06**

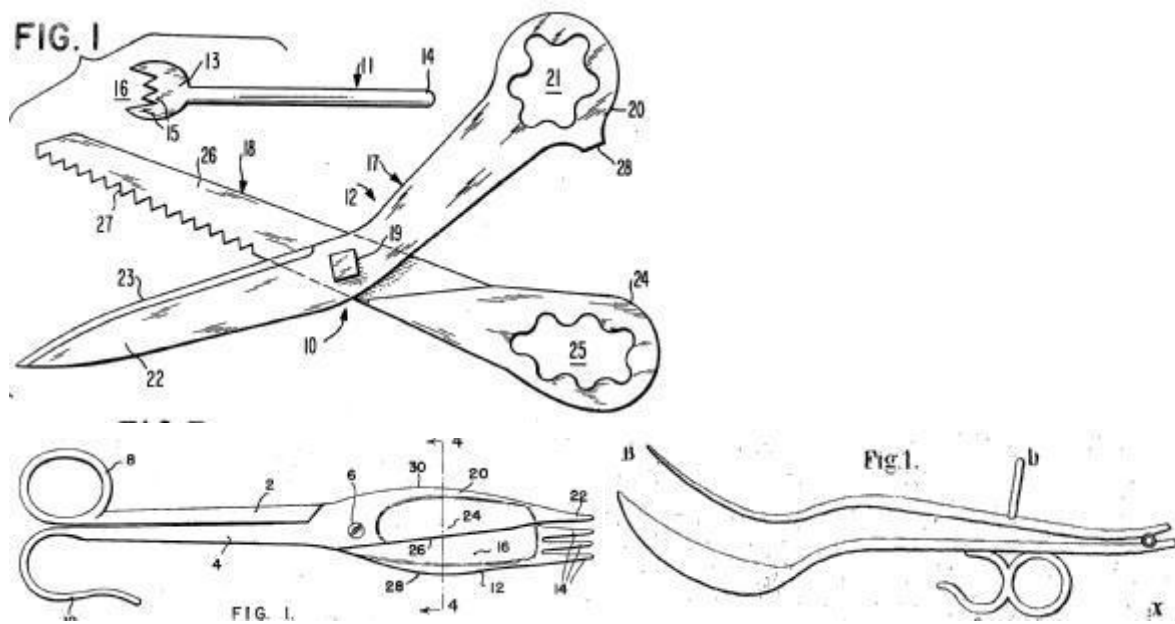
**Combined or separable sets of table-service utensils; Oyster knives with openers; Fish servers with means for removing bones (kitchen equipment [A47J](#))**

### **Definition statement**

*This place covers:*

- Kits or sets of cutlery held together (for easy handling/transport during picnics, camping or the like)
- Tongs for eating (shell)fish and/or removing bones from fish during eating
- Fish knives
- Hinged fork and spoon sets for serving





**References**

**Informative references**

Attention is drawn to the following places, which may be of interest for search:

Combined cutlery i.e. the same cutlery being able to perform the function of more than one cutlery type	<a href="#">A47G 21/02</a>
Devices for washing or descaling fish by hand	<a href="#">A22C 25/02</a>
Hand tools for the shelling of shellfish	<b><a href="#">A22C29/02B</a></b>
Kitchen equipment	<a href="#">A47J</a>
Hand knives with fixed blades	<a href="#">B26B 3/00</a>
Hand knives combined with other implements	<a href="#">B26B 11/00</a>

**A47G 21/061**

{Oyster knives with openers; Shellfish openers (processing bivalves, e.g. oysters, [A22C 29/04](#))}

**Definition statement**

This place covers:

- Shellfish crushing devices
- Sea urchin openers
- Opening oysters by introducing fluid
- Opening oysters by creating low pressure environment
- Table forks with cutting edge to separate oyster from lower bi-valve or meat from lobster shells
- Oysters having a string encircling the adductor muscle to allow easy subsequent opening





## References

### Informative references

Attention is drawn to the following places, which may be of interest for search:

Forks with cutting edge	<a href="#">A47G 21/02</a>
Processing shellfish	<a href="#">A22C 29/00</a> (processing bivalves, e.g. oysters, <a href="#">A22C 29/04</a> )
Nutcrackers	<a href="#">A47J 43/26</a>
Hand tool for crustaceans	452/6 (UC)
Shell openers	30/120.1 (UC)

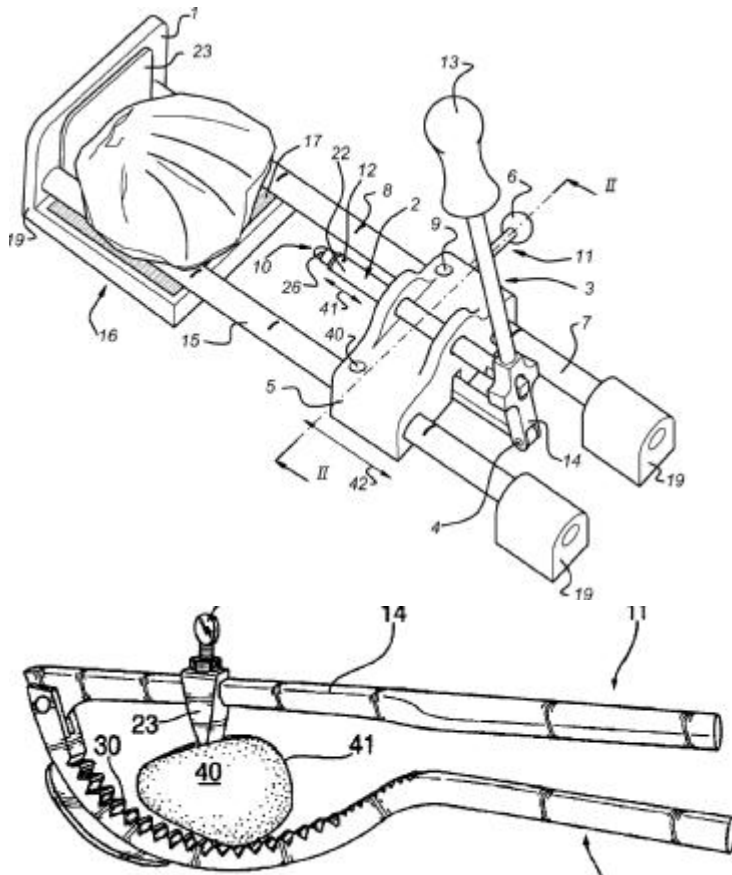
## A47G 21/062

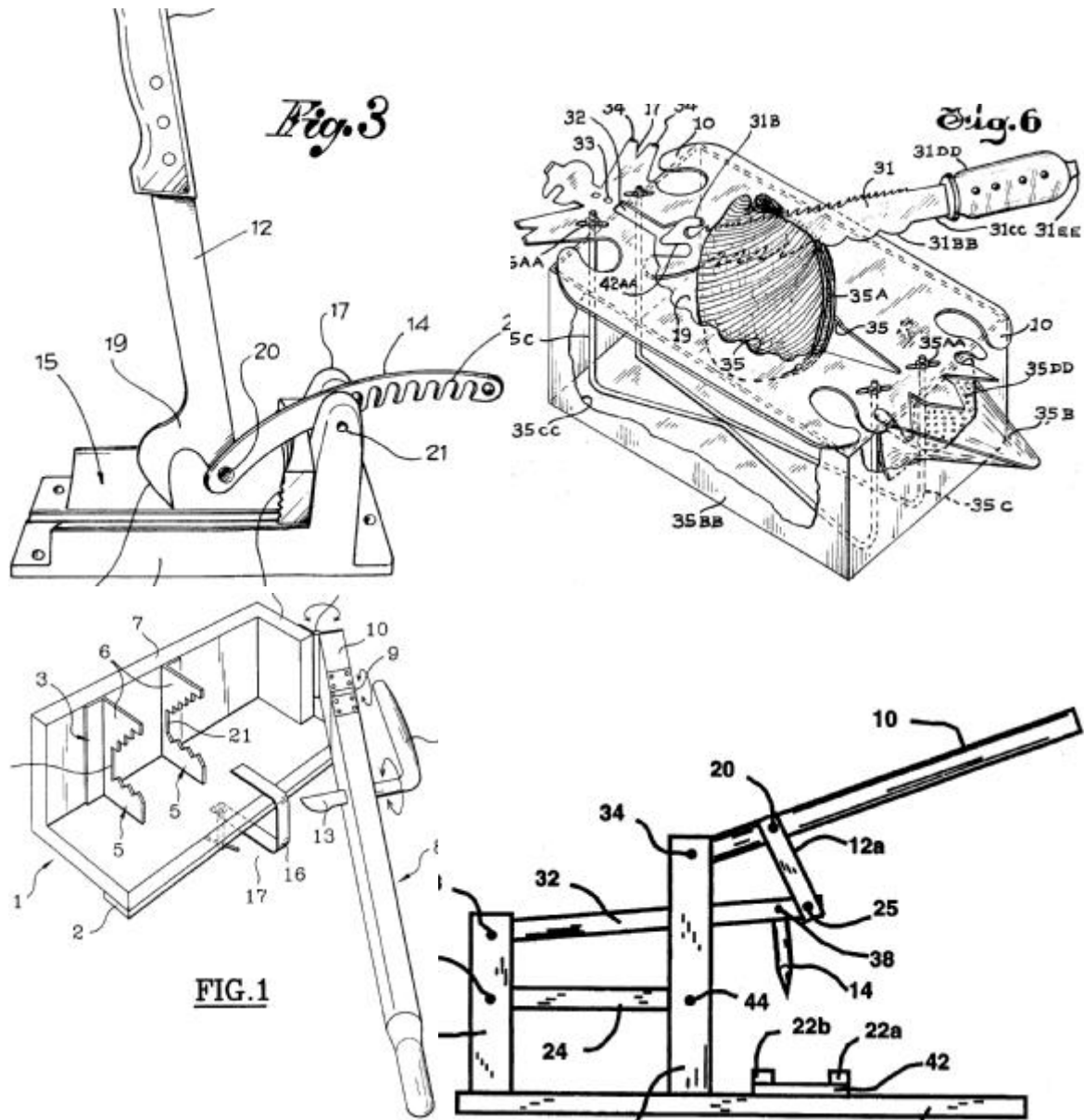
{Oyster splitters working by forcing a knife or the like between shells  
([A47G 21/067](#) takes precedence)}

### Definition statement

This place covers:

- Oyster splitters for table top use, e.g. oyster support with leveraged shucking knife





**References**

**Informative references**

Attention is drawn to the following places, which may be of interest for search:

Separate oyster supports	<a href="#">A47G 21/063</a>
Separate shucking knives	<a href="#">A47G 21/065</a>
Oyster punching devices for removing a part of its edge	<a href="#">A47G 21/067</a>
Processing shellfish	<a href="#">A22C 29/00</a>
Nutcrackers	<a href="#">A47J 43/26</a>

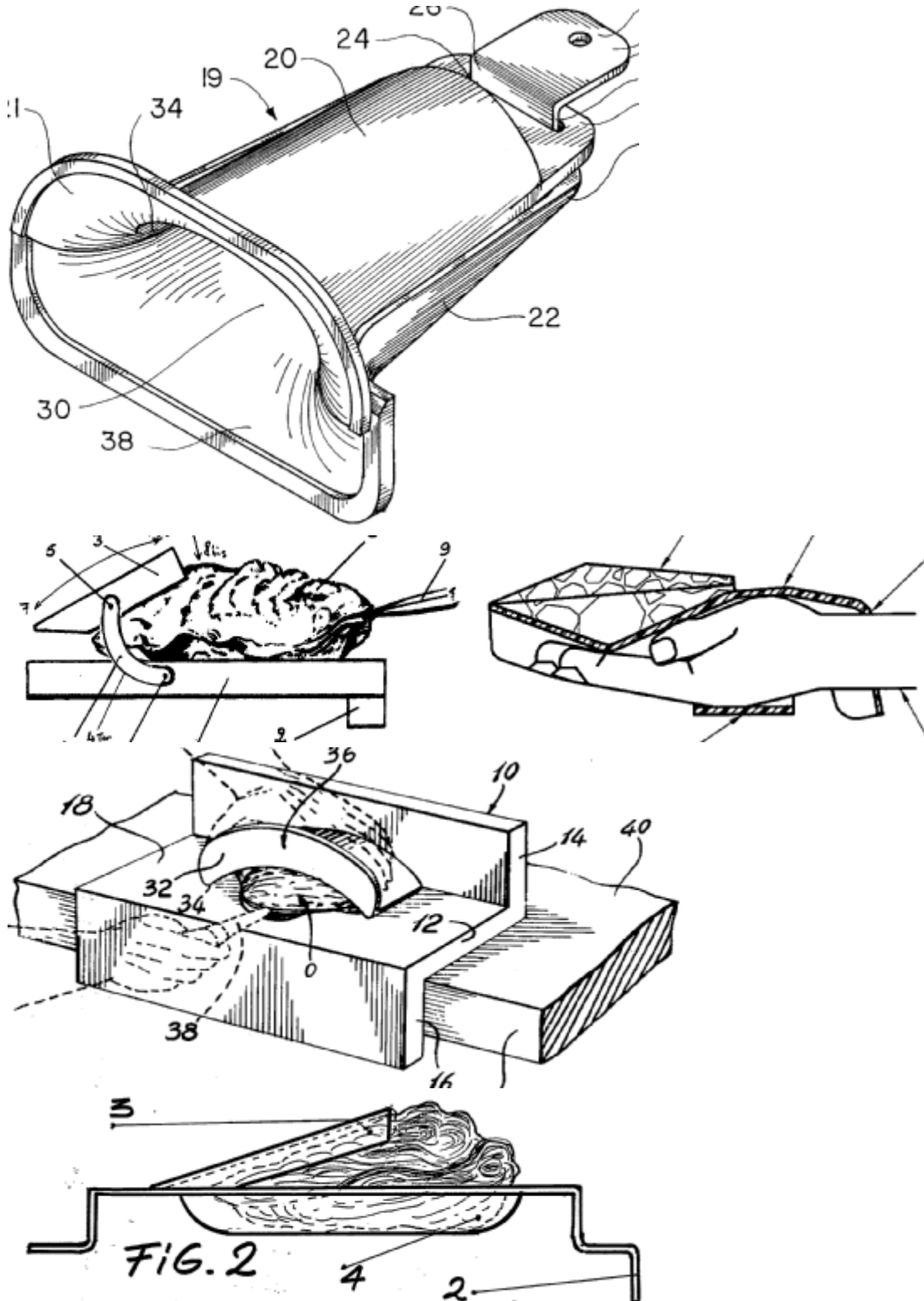
## A47G 21/063

{Separate oyster supports therefor}

### Definition statement

This place covers:

- Table top supports for oysters to allow safe introduction of a shucking knife between the bivalves



**References**

**Informative references**

Attention is drawn to the following places, which may be of interest for search:

Supports in combination with oyster splitters	<a href="#">A47G 21/062</a>
Hand protectors especially for the inner part of the hand	<a href="#">A41D 13/082</a>
Holding or clamping devices for supporting fowl, venison, or other meat, or vegetables, during cooking or during subsequent cutting	<a href="#">A47J 43/18</a>
Support and wedge for bivalve opener	452/16 (UC)

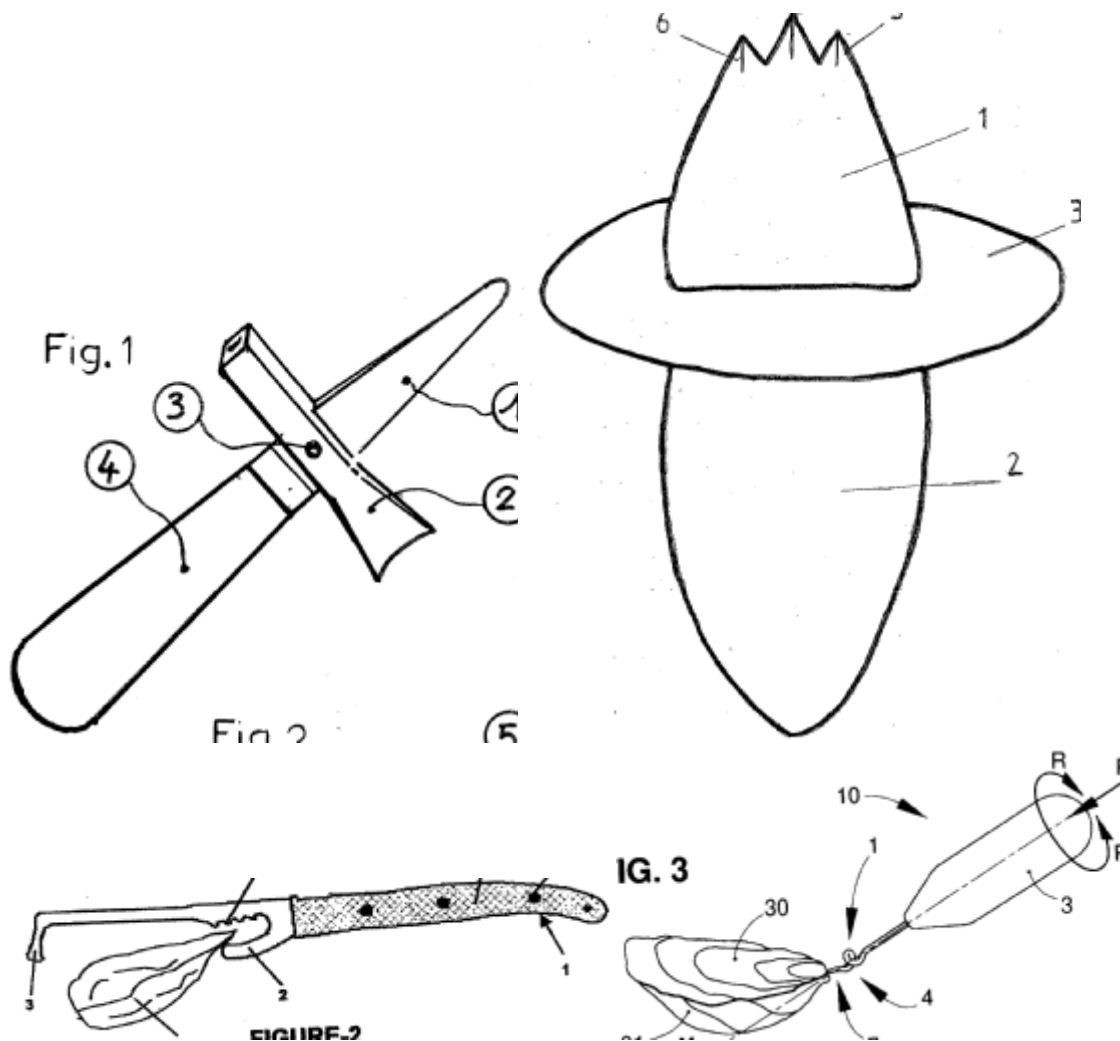
**A47G 21/065**

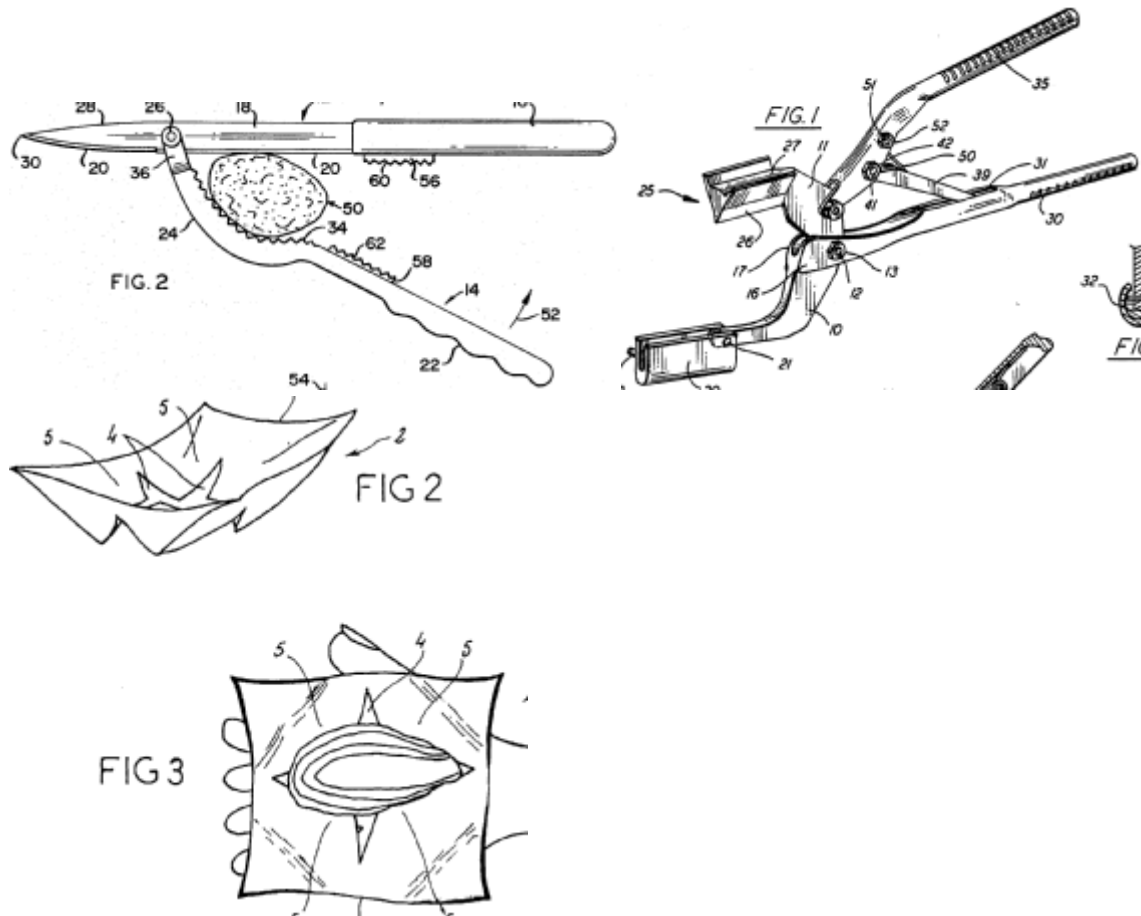
{Hand tools, e.g. shucking knives}

**Definition statement**

This place covers:

- Hand held tools for splitting bivalves
- Shucking knives
- Glove shaped oyster supports and shucking knives
- Pincers





**References**

**Informative references**

Attention is drawn to the following places, which may be of interest for search:

Oyster punching devices for removing a part of its edge	<a href="#">A47G 21/067</a>
Hand tools for the shelling of shellfish	<b>A22C29/02B</b>
Hand protectors especially for the inner part of the hand	<a href="#">A41D 13/082</a>
Nutcrackers	<a href="#">A47J 43/26</a>
Handles with the shape being specially adapted to facilitate handling or improve grip	<a href="#">B25G 1/102</a>
Hand tool for opening bivalves	452/17 (UC)

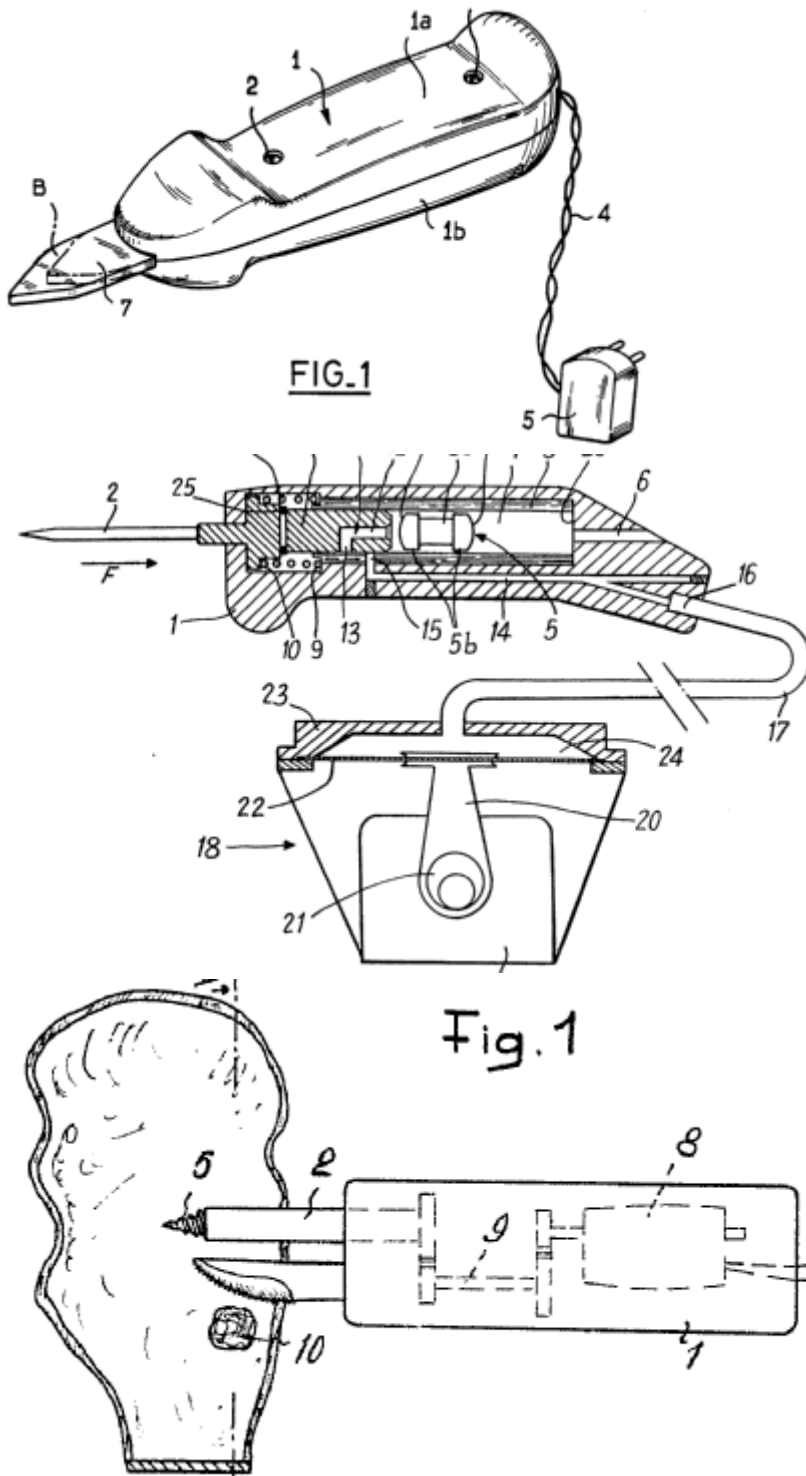
**A47G 21/066**

{electrically operated}

**Definition statement**

This place covers:

- Vibrating shucking knives or scissors
- Shucking knives with drill
- Heated shucking knives



**References**

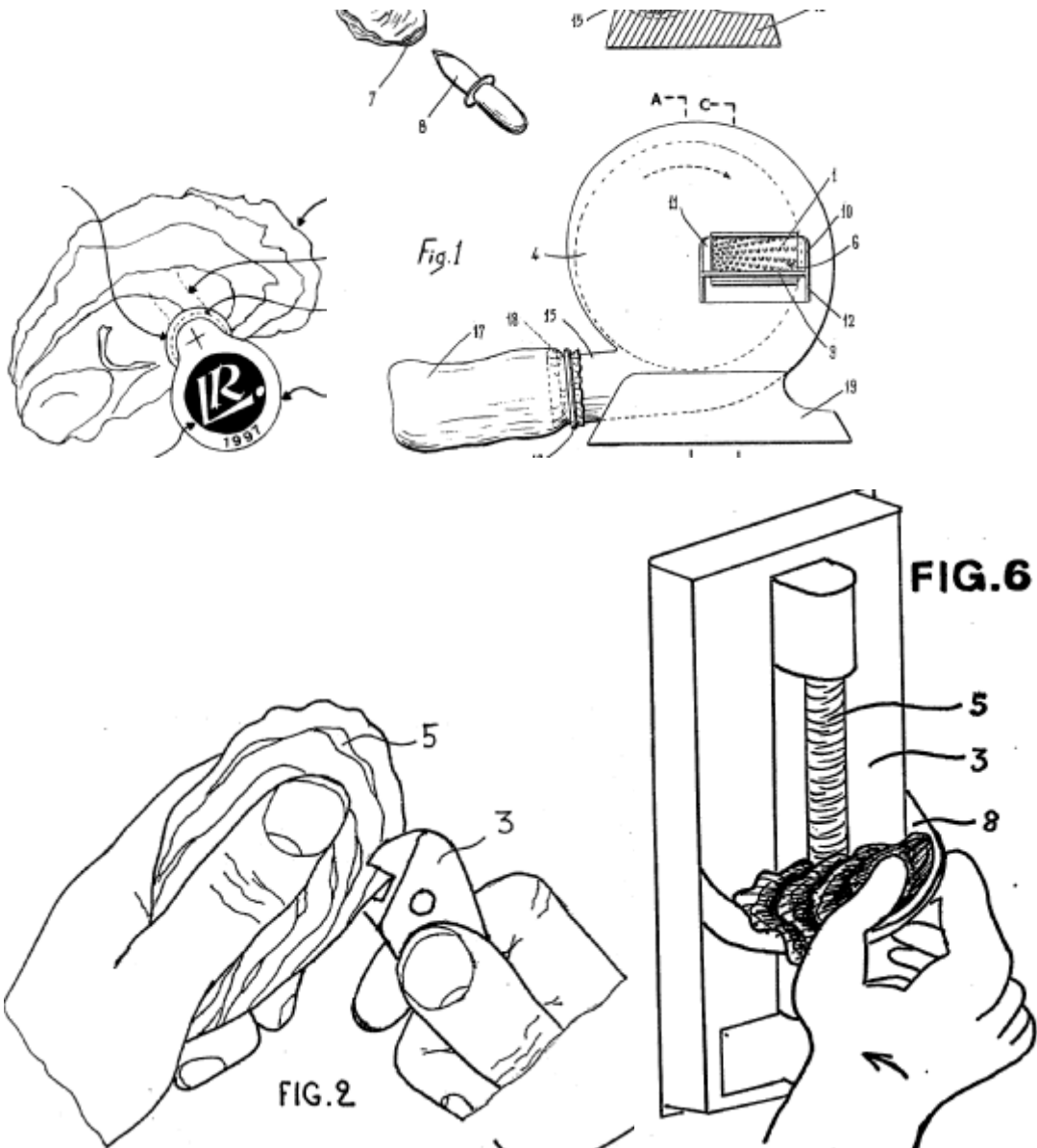
**Informative references**

Attention is drawn to the following places, which may be of interest for search:

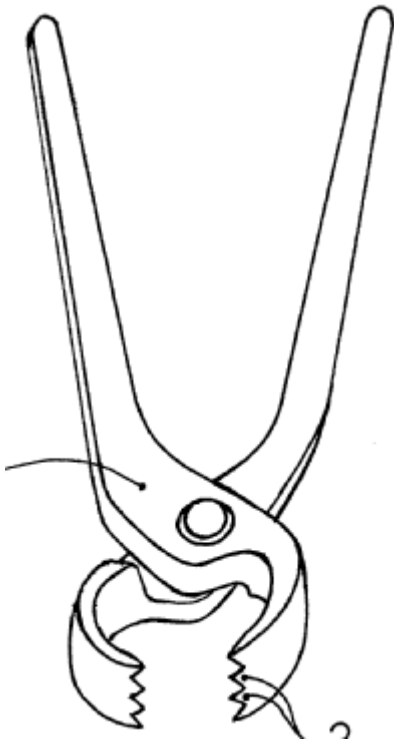
Percussive tools	<a href="#">B25D</a>
Hand knives with reciprocating motor-driven blades	<a href="#">B26B 7/00</a>

**A47G 21/067****{Oyster punching devices for removing a part of its edge}****Definition statement***This place covers:*

- Devices for removing a part of the oyster at the hinge to facilitate subsequent introduction of a shucking knife (pincers, hammers, rotating grinder discs, etc.)
- Seals for temporarily sealing the punched oyster







## References

### Informative references

Attention is drawn to the following places, which may be of interest for search:

Industrial processing of bivalves	<a href="#">A22C 29/00</a>
Grinding tools and machines	<a href="#">B24D</a>
Hand shears; Scissors	<a href="#">B26B 13/00</a>

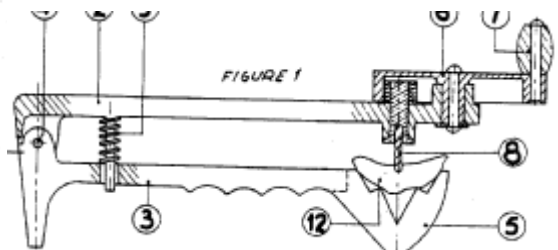
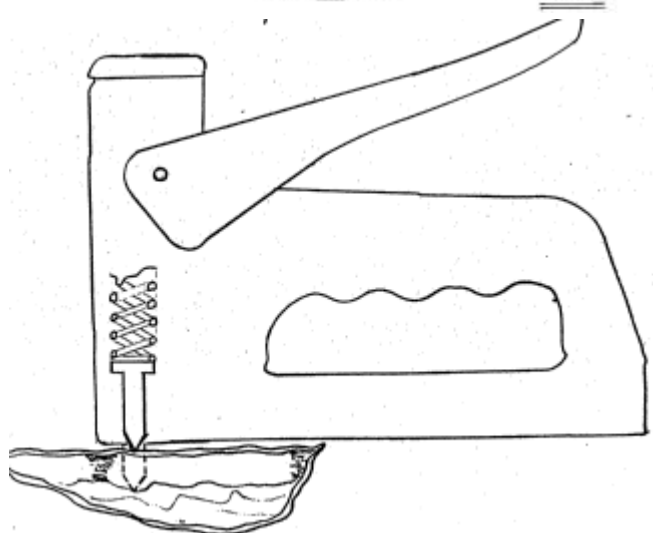
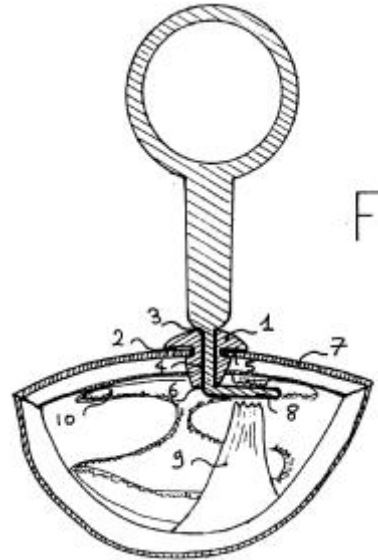
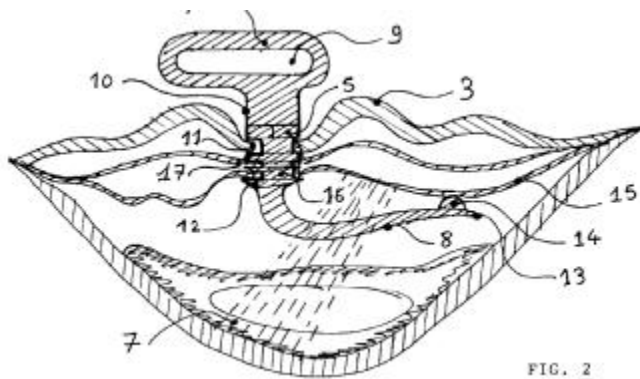
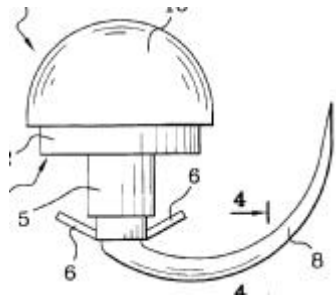
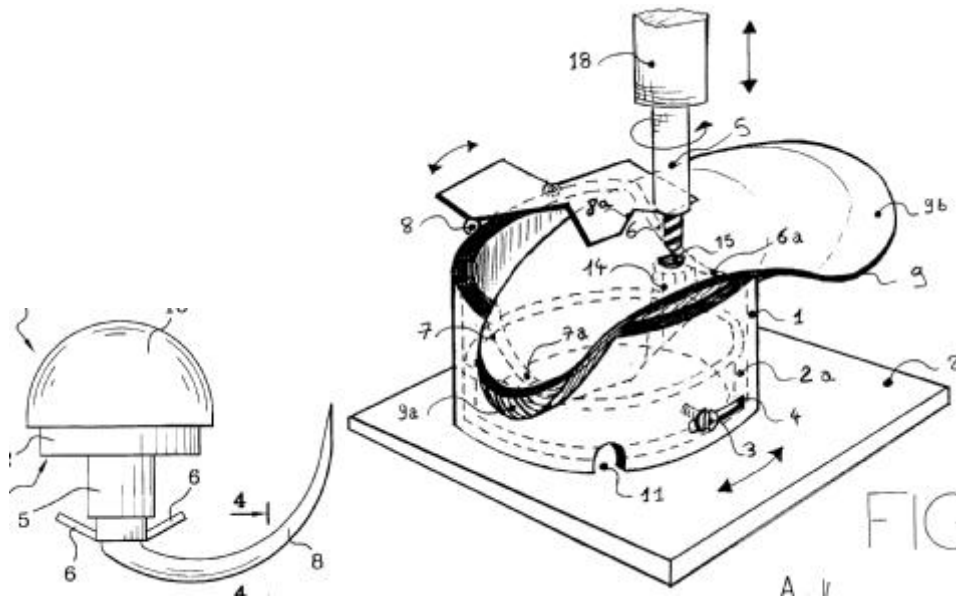
## A47G 21/068

{Devices for piercing the upper shell of oysters; Muscle cutters for use therewith}

### Definition statement

This place covers:

- Devices for perforating the upper bivalve in the vicinity of the muscle to subsequently cut the muscle through the perforation with a special knife or tool which may form part of a plug for sealing the perforation.
- Knife, tools or plugs specially adapted for opening the oyster through such perforation.



## References

### Informative references

Attention is drawn to the following places, which may be of interest for search:

Industrial processing of bivalves	<a href="#">A22C 29/00</a>
-----------------------------------	----------------------------

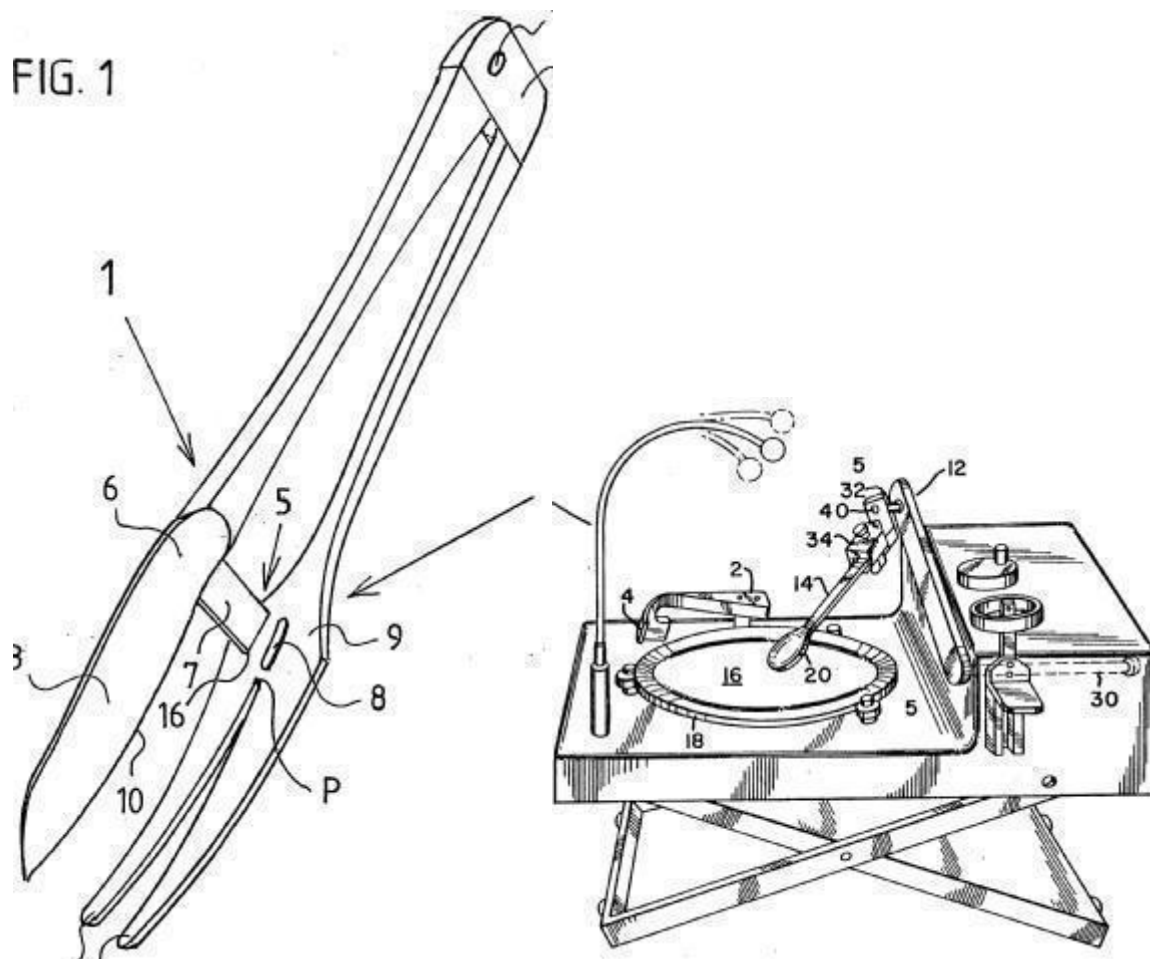
## A47G 21/08

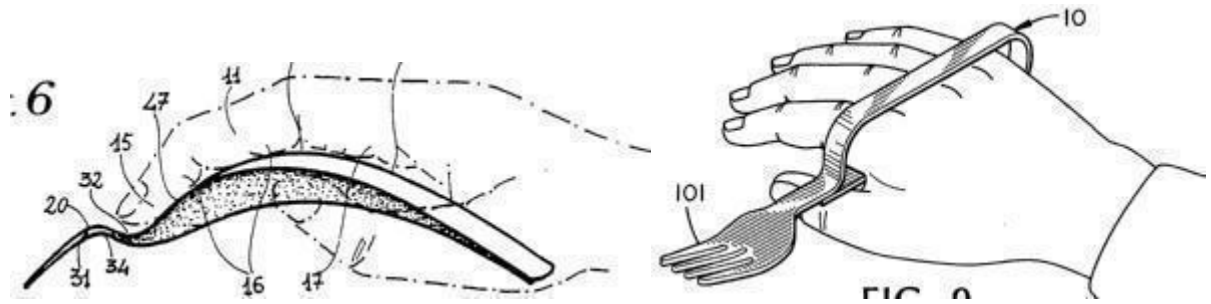
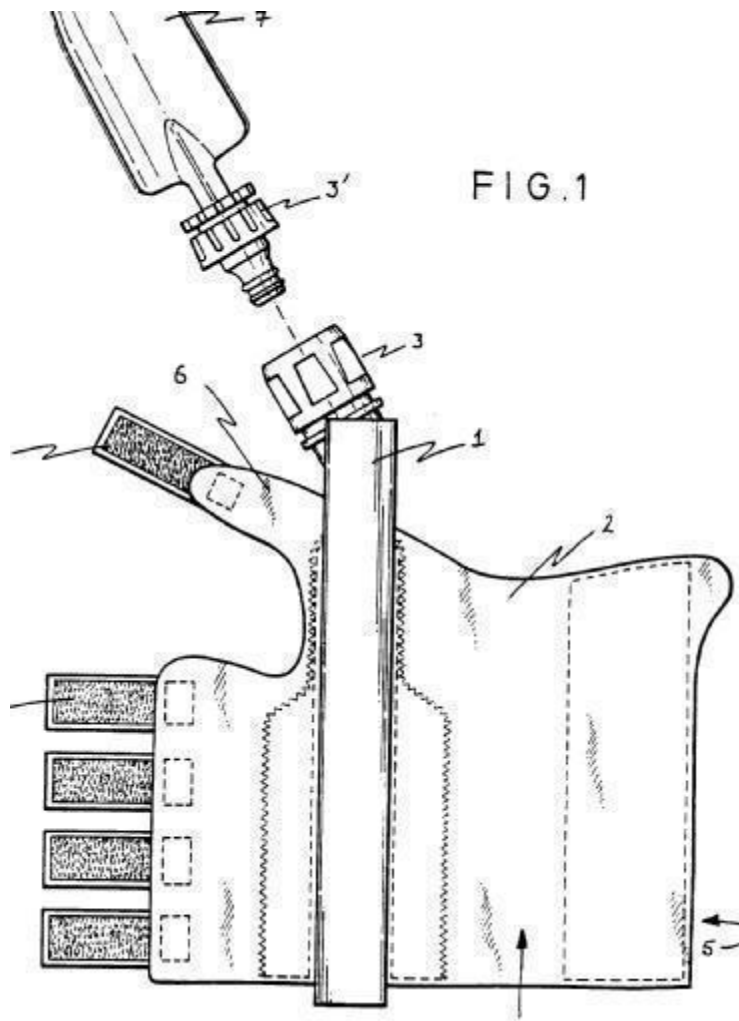
### Serving devices for one-handed persons

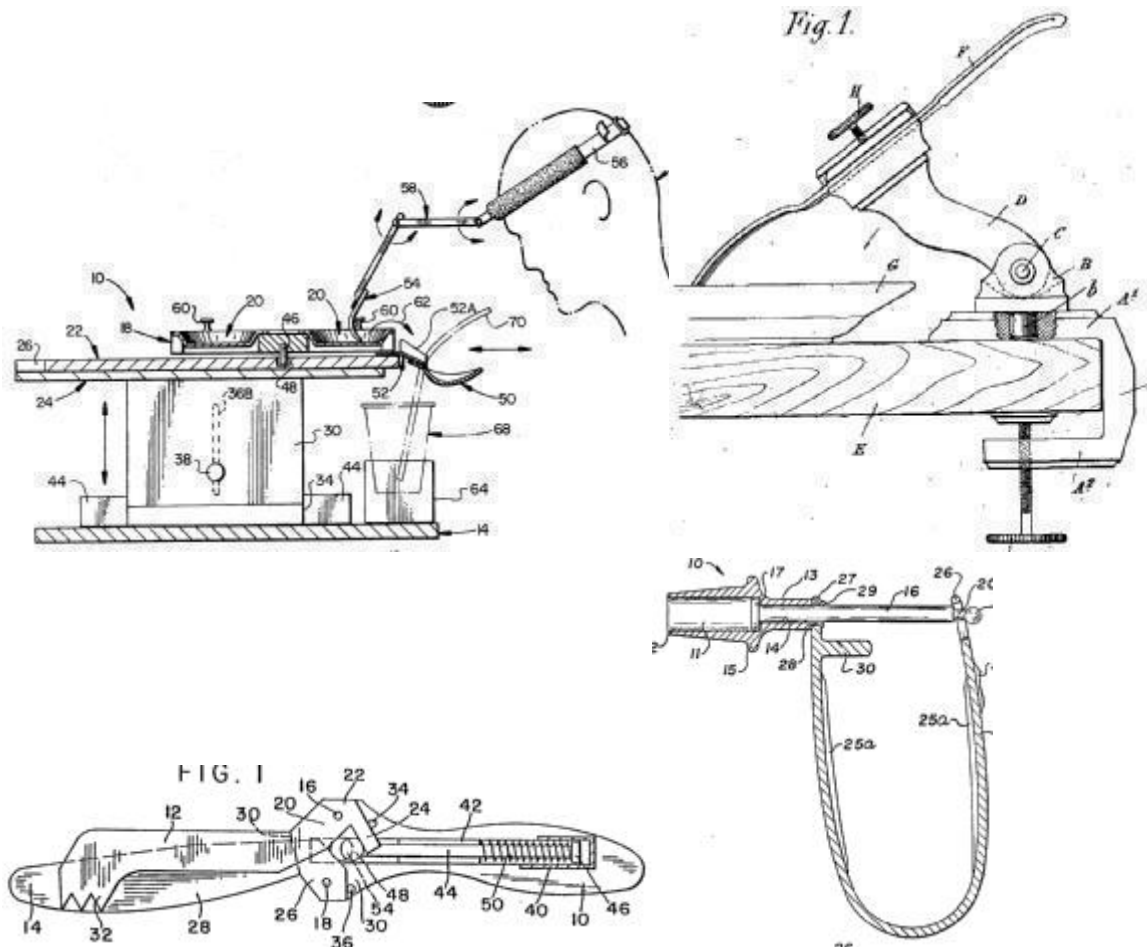
#### Definition statement

This place covers:

- Cutlery with features improving grip (ergonomic handle shape, straps, gloves, etc.)
- Head-operated self-feeding appliance
- Combined cutlery (knife and fork/spoon), facilitating cutting by one-armed or partially paralysed persons
- Cutlery with self-levelling food holding part
- Cutlery with elements to push of (expel/release) food







**References**

**Informative references**

Attention is drawn to the following places, which may be of interest for search:

Handles of brushes specially shaped for holding by the hand	<a href="#">A46B 5/02</a>
Artificial arms or hands or parts thereof	<a href="#">A61F 2/54</a>
Methods or devices enabling invalids to operate an apparatus or a device not forming part of the body	<a href="#">A61F 4/00</a>
Orthopaedic devices for the arms, hands or fingers	<a href="#">A61F 5/0118</a>
Handles with the shape being specially adapted to facilitate handling or improve grip Accommodation for nursing, e.g. in hospitals	<a href="#">A61G 12/00</a>
Manipulators (Robots)	<a href="#">B25J</a>
Holders specially adapted for assisting handicapped or disabled persons to write	<a href="#">B43K 23/004</a>
Supports for attachment to hands or arms for facilitating writing or drawing	<a href="#">B43L 15/00</a>
Controlling members specially adapted for actuation by other parts of the human body than hand or foot	<a href="#">G05G 1/52</a>
Input arrangements for transferring data, in interaction with the human body	<a href="#">G06F 3/011</a>
Mechanisms for operating contacts adapted for operation by a part of the human body other than the hand	<a href="#">H01H 3/14</a>

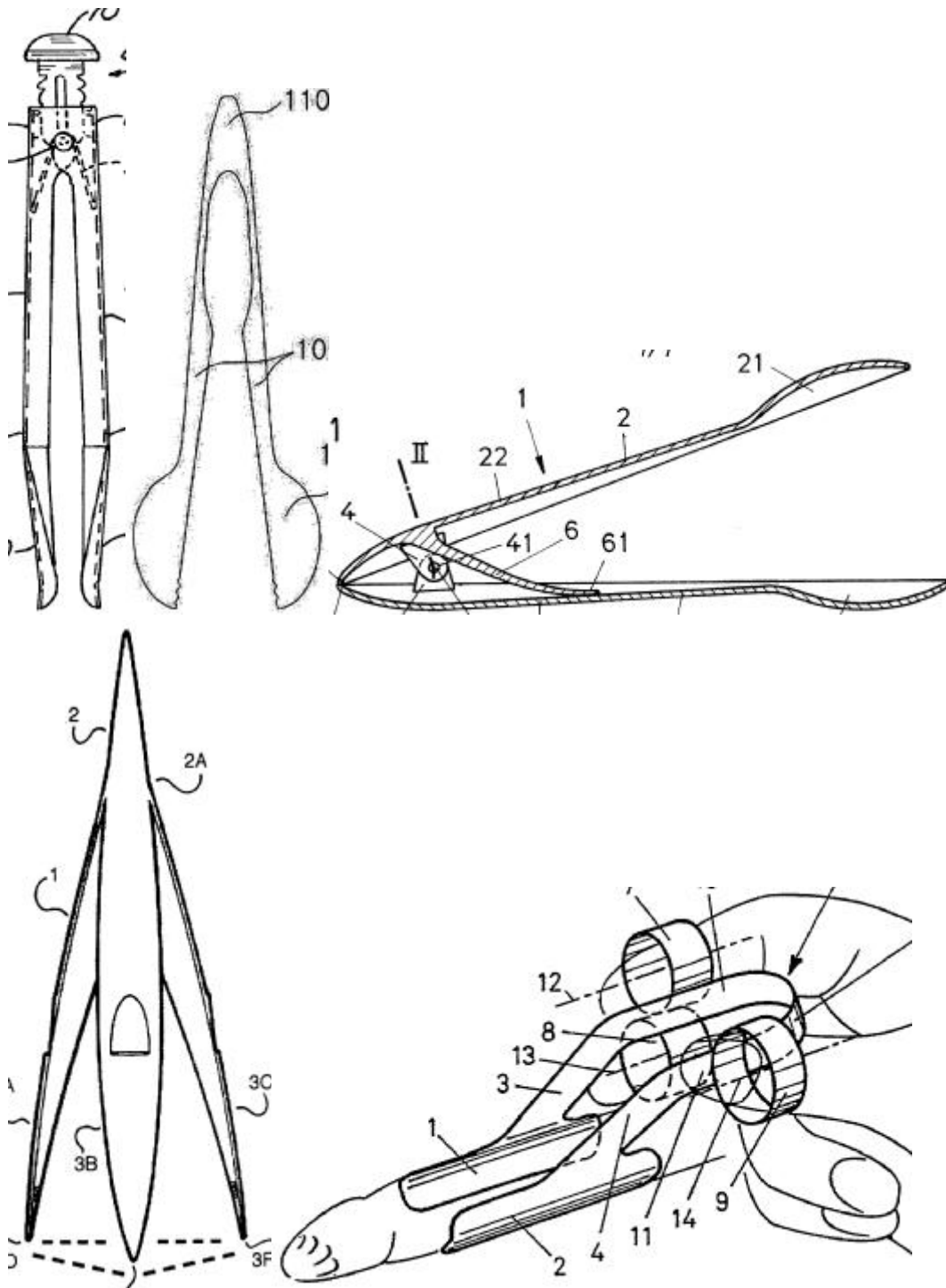
## **A47G 21/10**

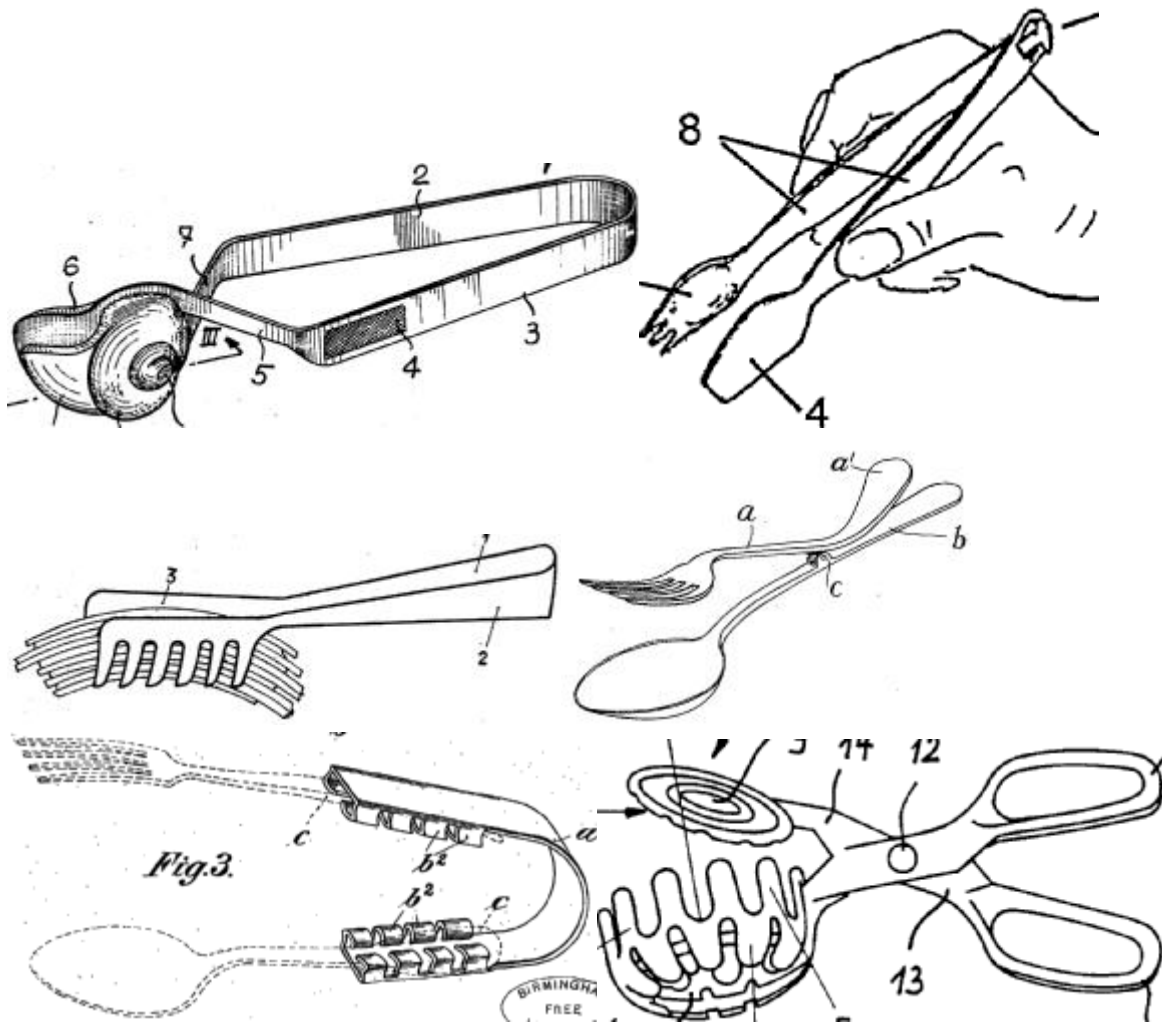
### **Sugar tongs; Asparagus tongs; Other food tongs**

#### **Definition statement**

*This place covers:*

- Lockable tongs e.g. for space saving storage
- Hinged fork and spoon sets for serving
- Holders to transform cutlery into tongs
- Tongs where the tips are specially suited for gripping particular foodstuffs
- Tongs urged to stay open/close by elastic elements





## References

### Informative references

Attention is drawn to the following places, which may be of interest for search:

Other culinary food tongs	<a href="#">A47J 43/283</a>
Surgical pincettes	<a href="#">A61B 17/30</a>
Pliers; Other hand-held gripping tools with jaws on pivoted limbs	<a href="#">B25B 7/00</a>
Hand-held gripping tools	<a href="#">B25B 9/00</a>
Litter pickers	<a href="#">E01H 1/12</a>
Ice picks	<a href="#">F25C 5/043</a>
Grapples	294/86.4 (UC)
Utensils for grasping food	3B115/BA04 (FT)



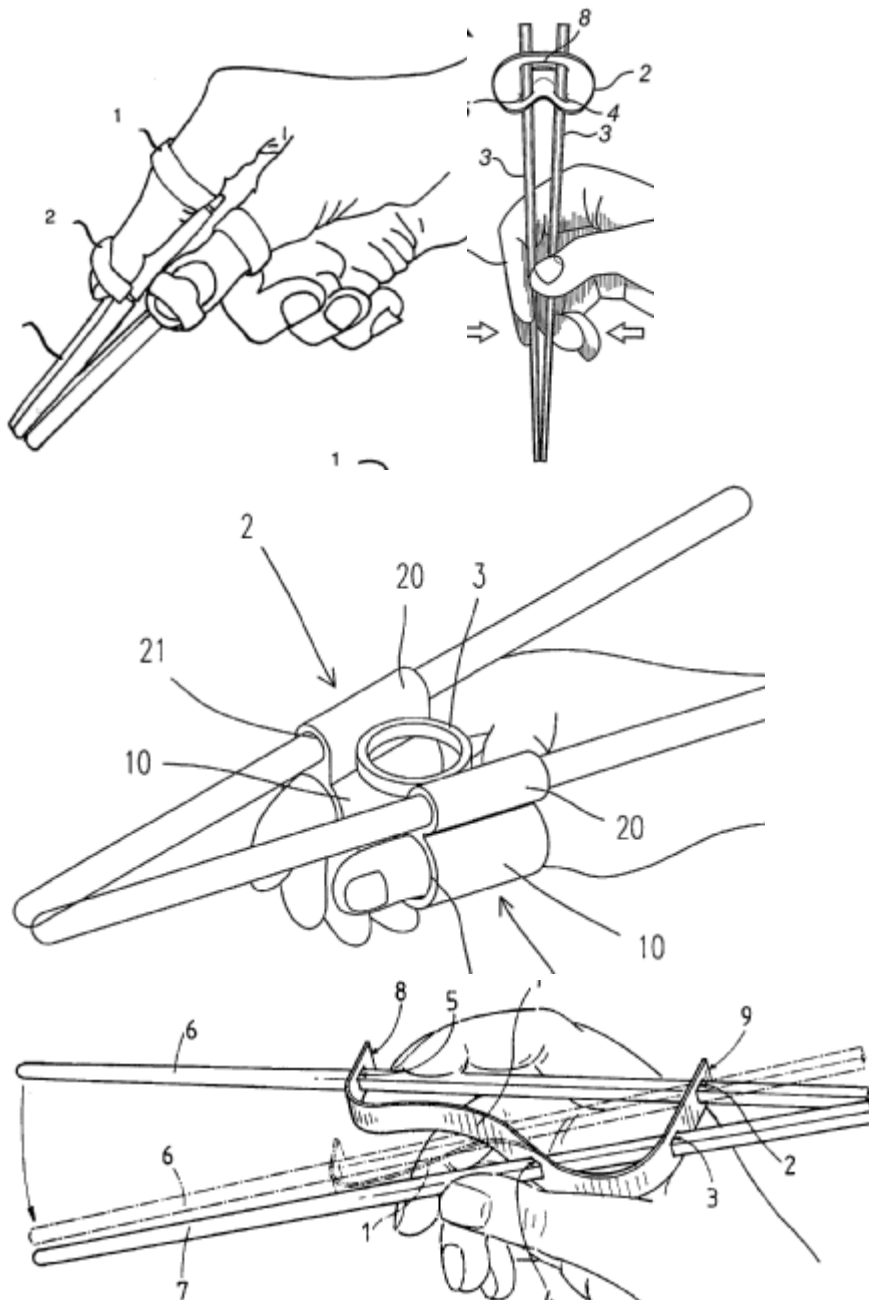
## A47G 21/103

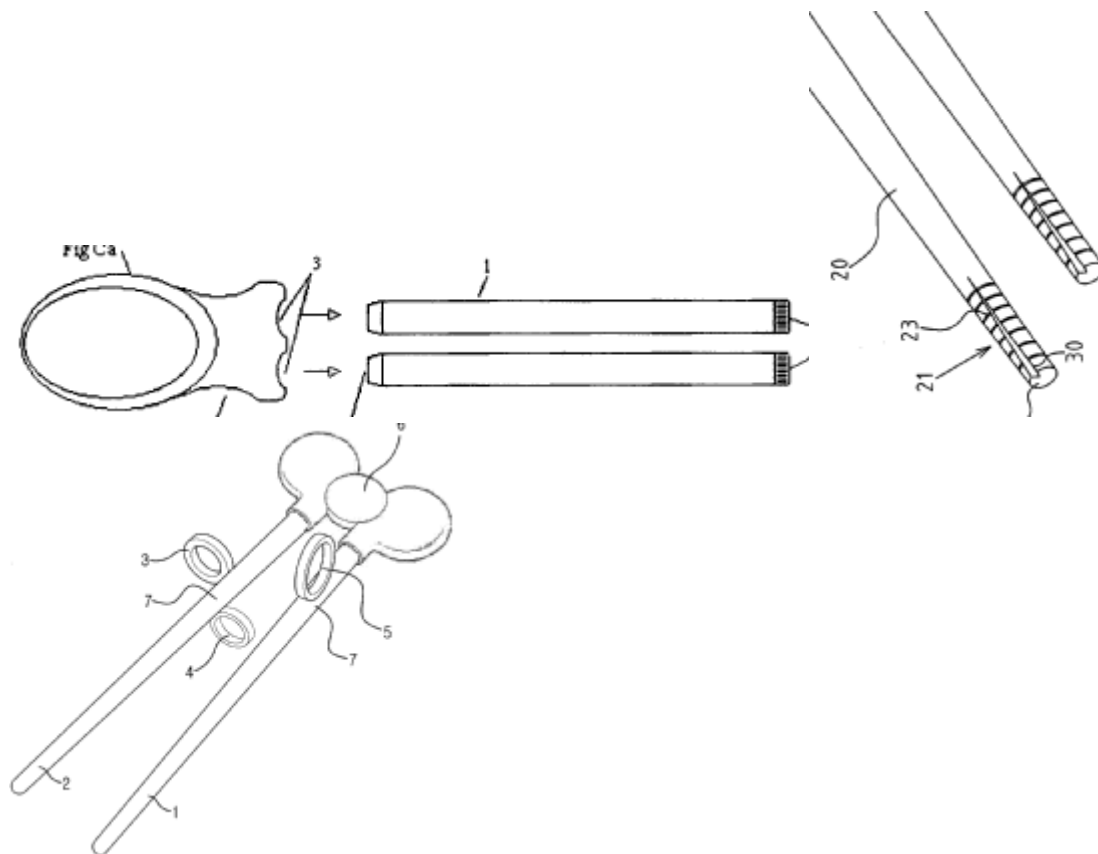
### {Chop-sticks}

#### Definition statement

*This place covers:*

- Chopsticks with features to aid in manipulation (holders, connecting elements, finger guides/rests, etc.)
- Chopsticks combined with other elements (toothpicks, cutlery, drinking straws, seasoning, etc.)
- Chopstick rests
- Disposable/splittable chopsticks





## References

### Informative references

Attention is drawn to the following places, which may be of interest for search:

Other culinary food tongs	<a href="#">A47J 43/283</a>
Hand-held gripping tools	<a href="#">B25B 9/00</a>
Advertising on tableware	<a href="#">G09F 23/08</a>
Chopsticks	A47G21/10&B (FI) and 3B115/BA06 (FT)
Linked chopsticks (also half-split chopsticks)	A47G21/10&A (FI) and 3B115/BA07 (FT)
Hand-held grapples (e.g., tweezer, tongs)	294/99.2 (UC)

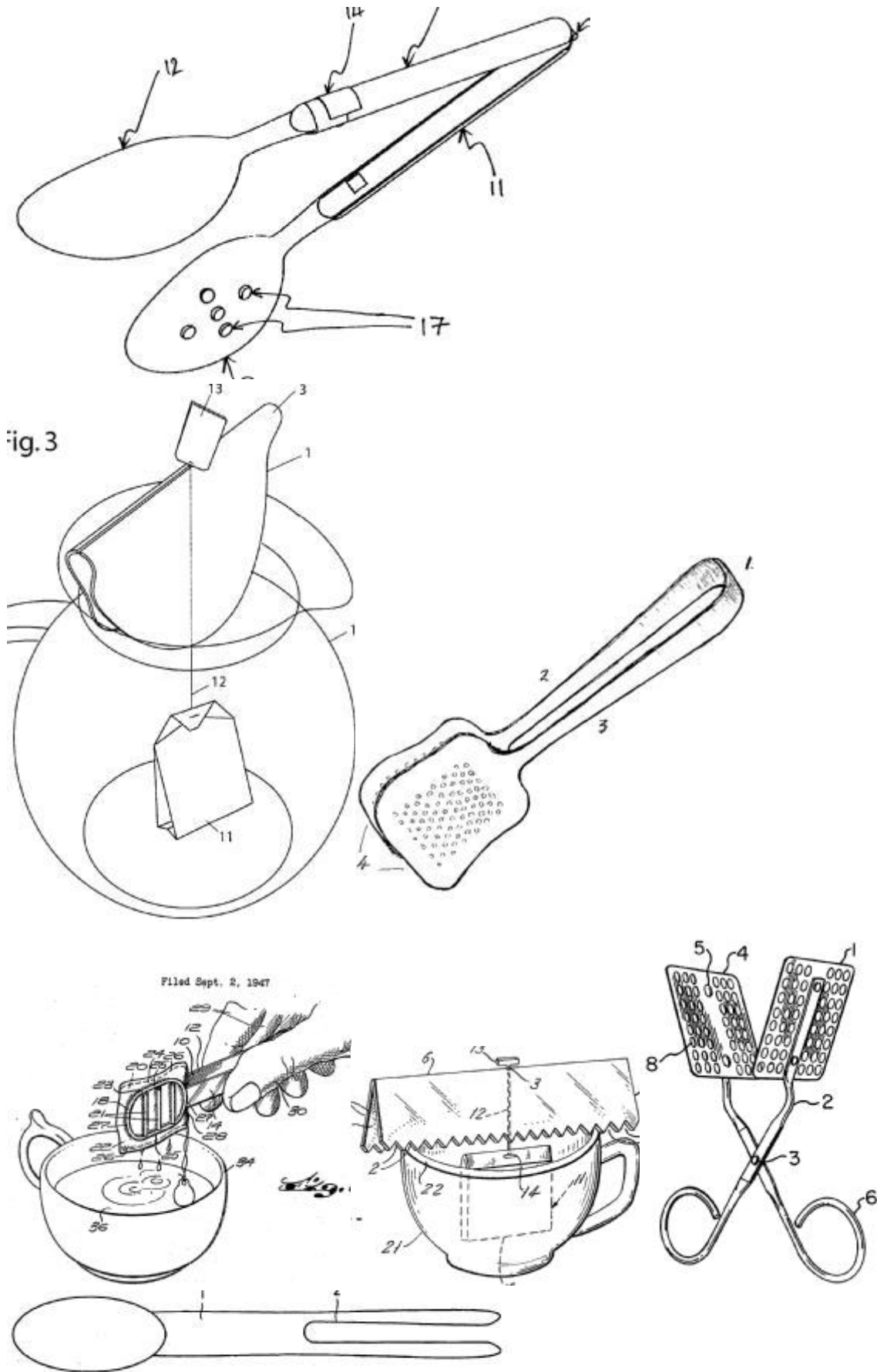
## A47G 21/106

### {Tea bag squeezers}

#### Definition statement

This place covers:

- Teabag squeezers suited to rest on top of cups or pots (e.g.. combined with lids)
- Teabag squeezers of the tong type
- Spoons or other items with slits to aid in squeezing a teabag



## References

### Informative references

Attention is drawn to the following places, which may be of interest for search:

Lemon squeezers	<a href="#">A47G19/02C</a>
Re-useable tea infusers	<a href="#">A47G 19/16</a>
Tongs for picking, holding or rotating food	<a href="#">A47J 43/283</a>
Teabags with (integral) features facilitating their manipulation or suspension	<a href="#">B65D 85/812</a>

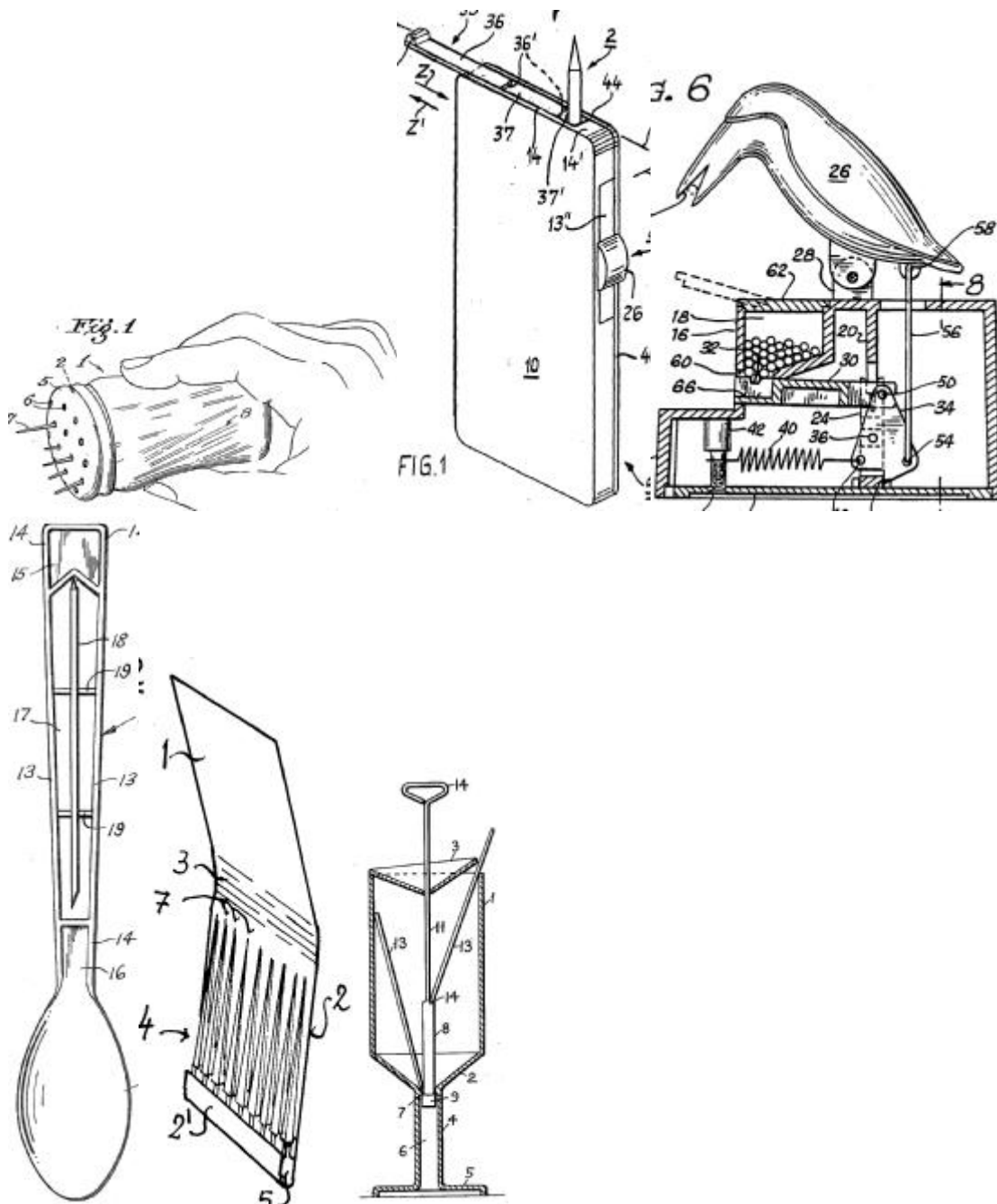
## A47G 21/12

### Toothpick holders

#### Definition statement

*This place covers:*

- Holders for toothpicks
- Dispenser releasing a single toothpick at a time
- Toothpicks integrated in other utensils (cutlery, chopsticks, etc.)



**References**

**Informative references**

Attention is drawn to the following places, which may be of interest for search:

Dispensers for drinking straws	<a href="#">A47G 21/184</a>
Receptacles with appliances for releasing a single cigar or cigarette	<a href="#">A24F 15/04</a>
Match dispensers	<a href="#">A24F 27/14</a>
Toothpicks	<a href="#">A61C 15/02</a>
Containers or packages for dispensing rod-shaped articles	<a href="#">B65D 83/02</a>
Containers for needles, nails, or other like elongated small articles	<a href="#">B65D 85/24</a>
Toothpicks	3B115/BA14 (FT)

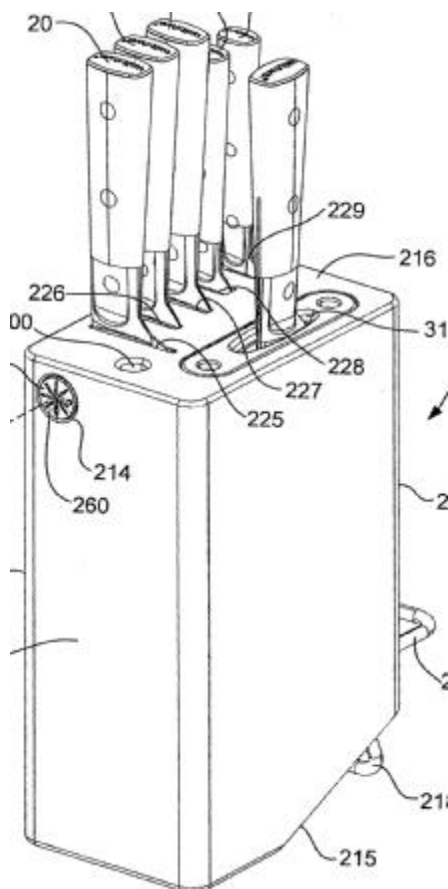
## A47G 21/14

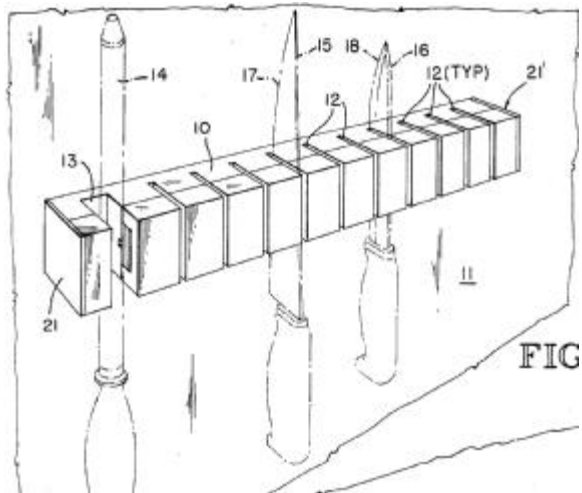
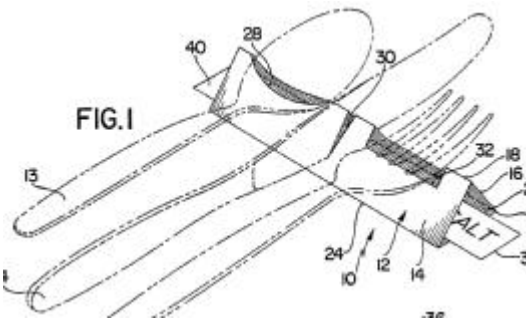
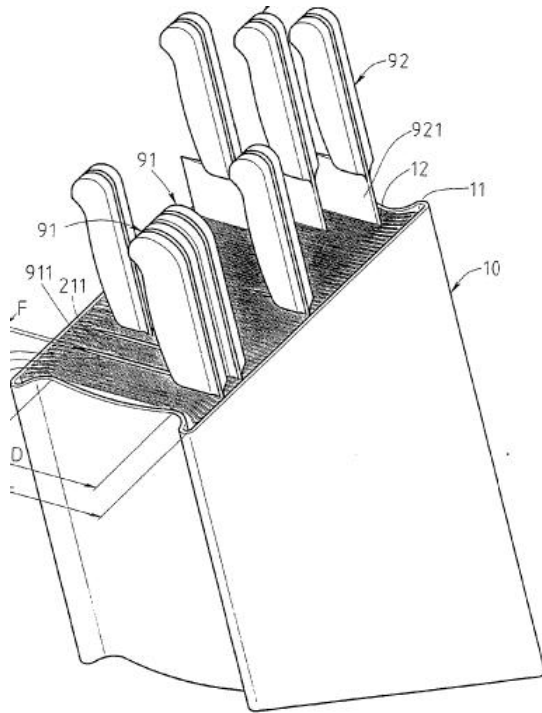
### Knife racks or stands; Holders for table utensils attachable to plates

#### Definition statement

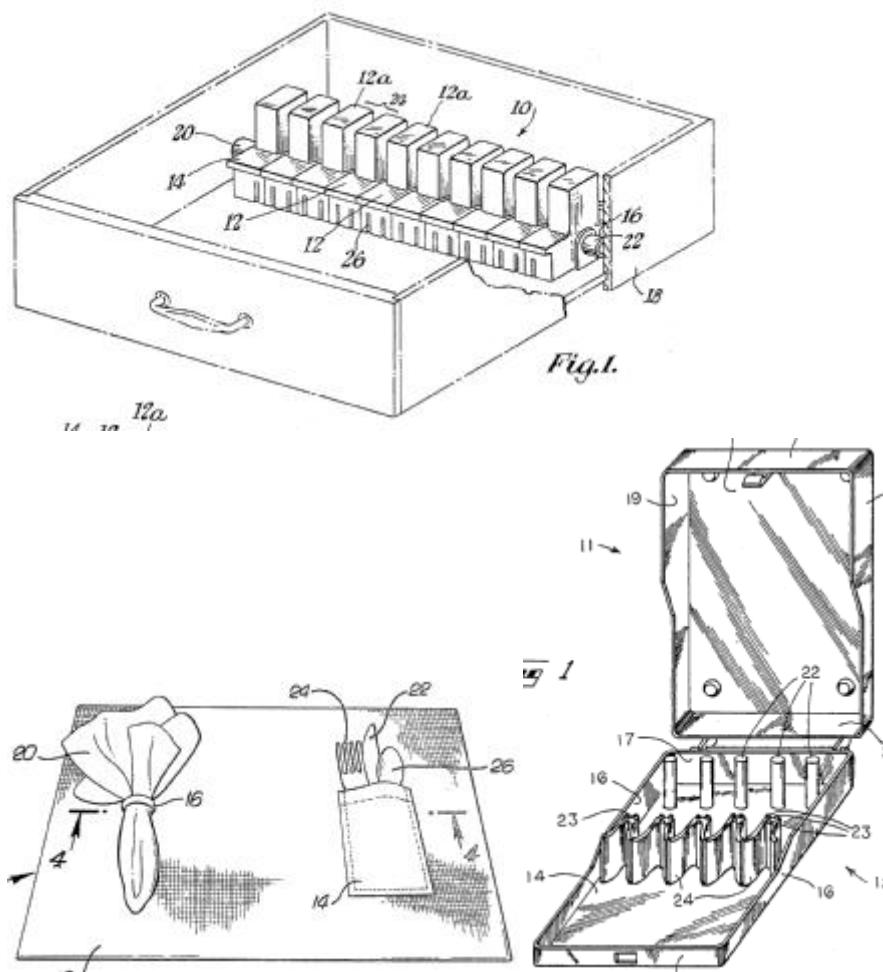
*This place covers:*

- Wall or table mounted knife holders, stands, blocks, etc.
- Cutlery cassettes
- Holders for keeping cutlery sorted in drawers
- Cutlery rests to be used next to plates
- Knife holders with system to prevent unauthorised removal of the knives
- Knife or cutlery holders combined with other devices e.g. napkins or table mats





Definition statement



## References

### Informative references

Attention is drawn to the following places, which may be of interest for search:

Holders for articles of personal use in general, e.g. brushes	<a href="#">A47G 29/08</a>
Devices for fastening household utensils, or the like, to tables, walls, or the like	<a href="#">A47G 29/087</a>
Racks or supports for household utensils in kitchen cabinets	<a href="#">A47B 77/14</a>
Constructional details of drawers	<a href="#">A47B 88/90</a>
Devices for fastening kitchen utensils to tables, walls, or the like	<a href="#">A47J 45/02</a>
Cutting boards	<a href="#">A47J 47/005</a>
Stands, or holders for kitchen articles	<a href="#">A47J 47/16</a>
Clamping devices for hanging cleaning tools	<a href="#">A47L 13/512</a>
Racks or cutlery baskets for washing machines	<a href="#">A47L 15/502</a>
Sharpening elements being fitted to knife sheaths, holders or handles	<a href="#">B24D 15/084</a>
Tool racks or holders	<a href="#">B25H 3/04</a>
Guards or sheaths for knives	<a href="#">B26B 29/02</a>
Holders for kitchen knives	A47J47/16&P (FI)



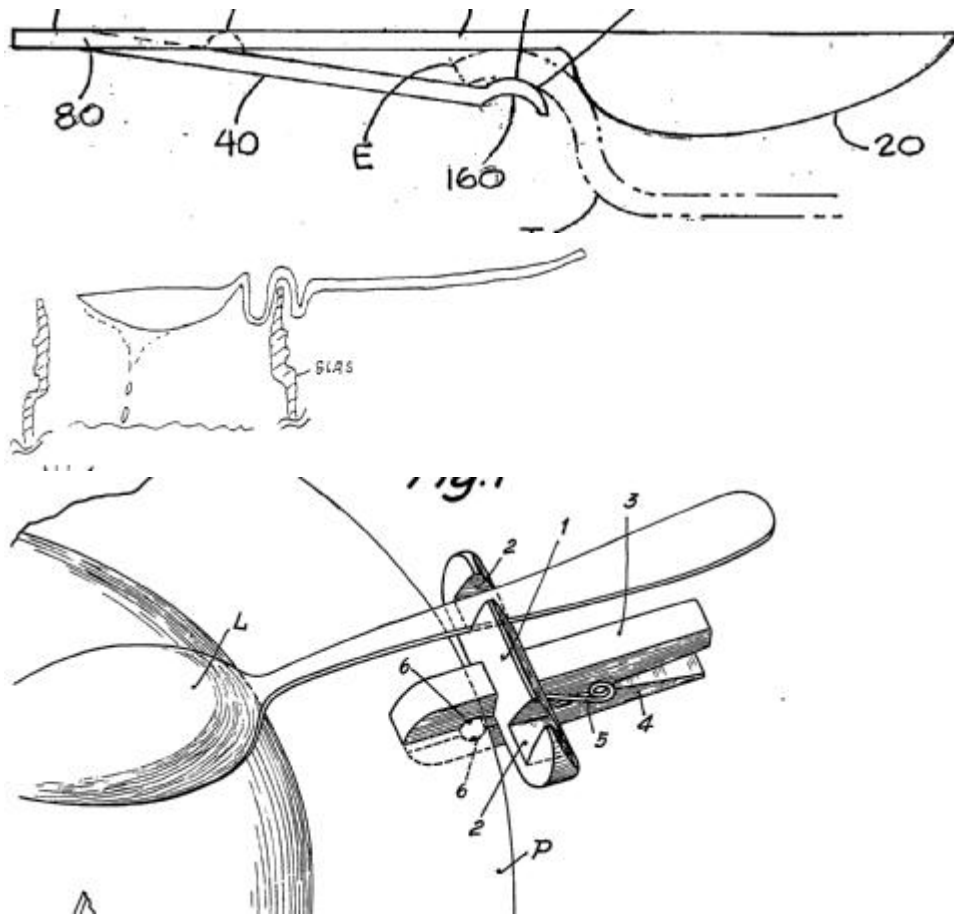
## A47G 21/145

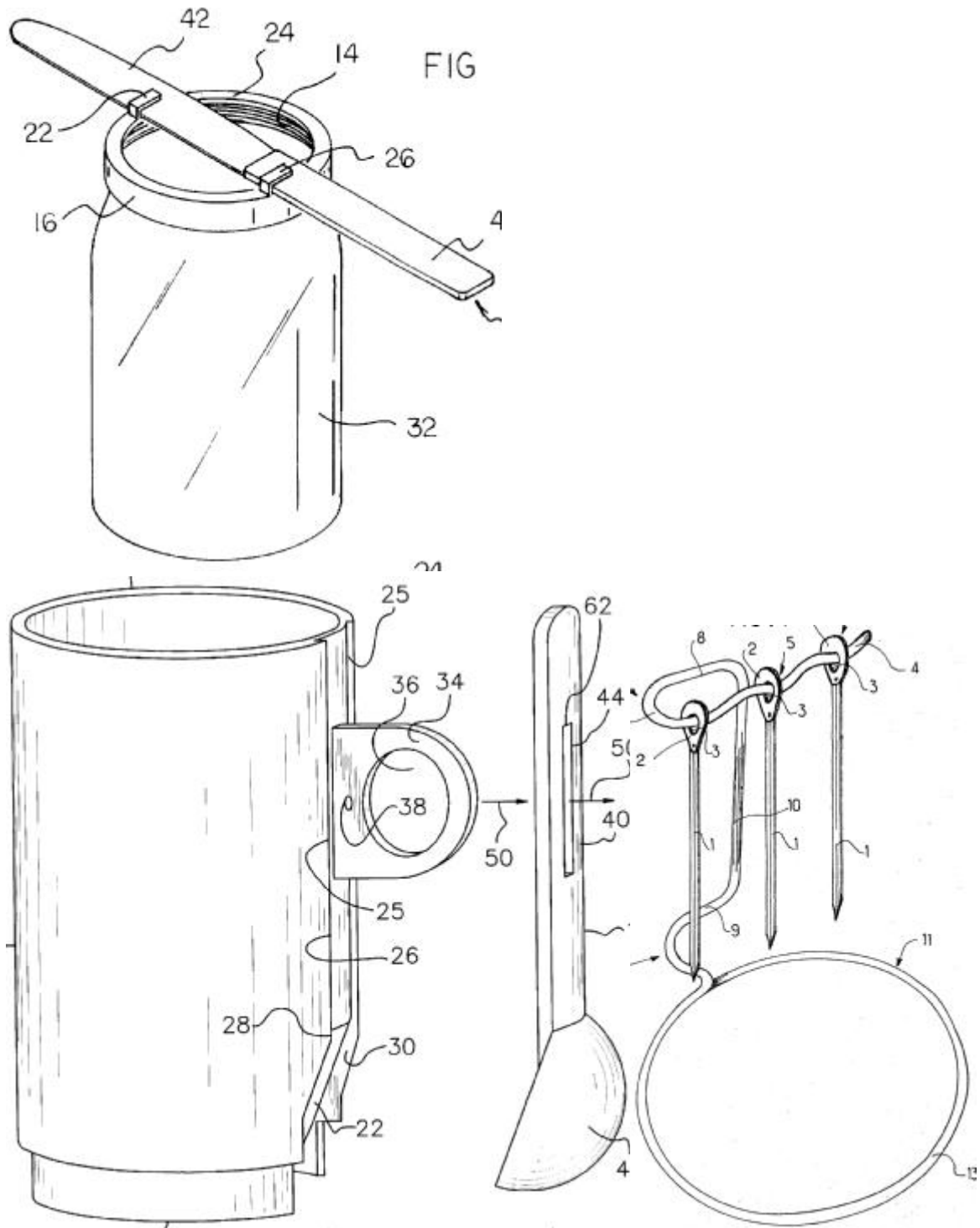
{Holders for table utensils attachable to plates, jars or the like (attachable to cooking pots [A47J 43/287](#))}

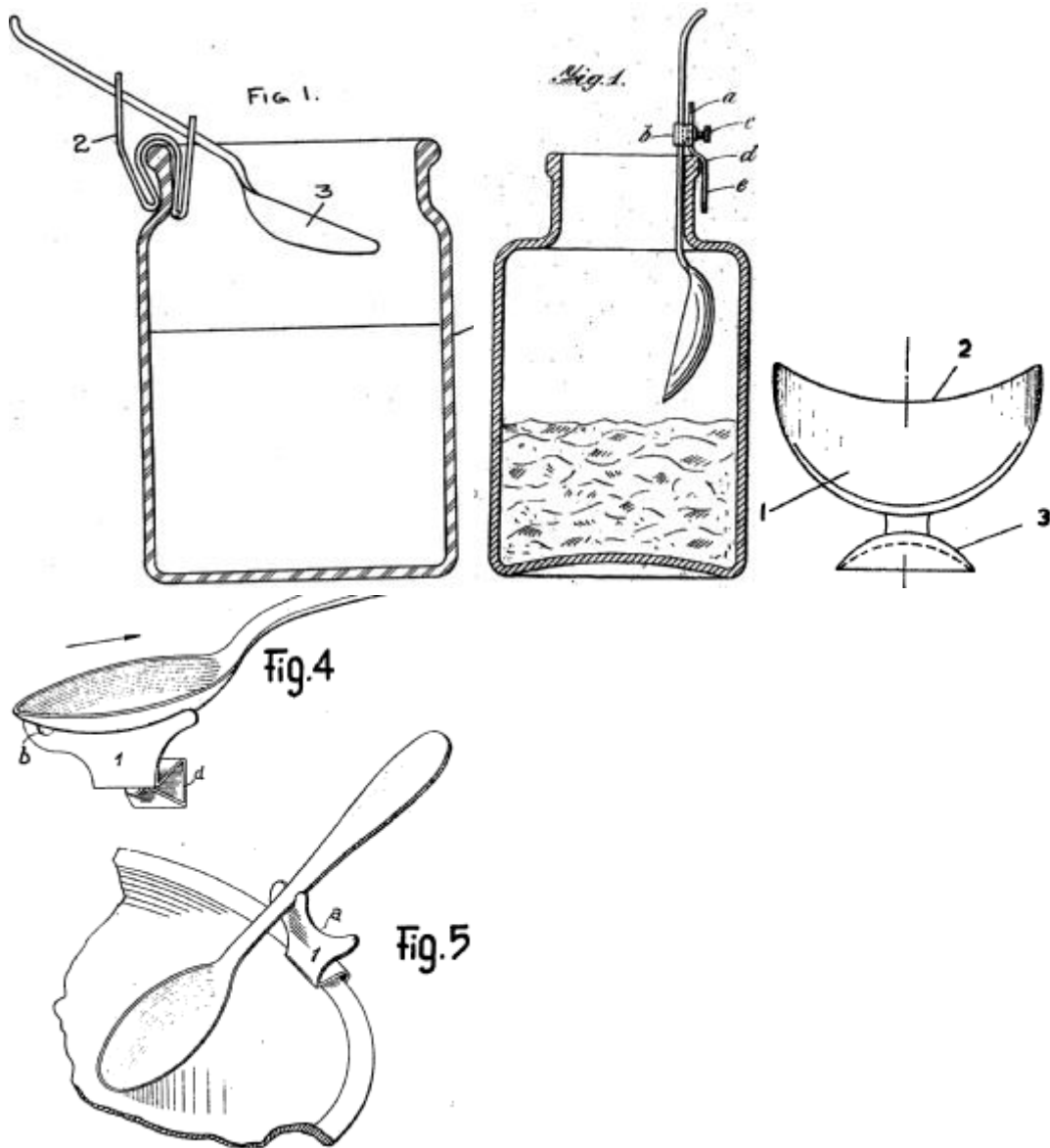
### Definition statement

*This place covers:*

- Holders or scrapers attachable to plates, jars or the like
- Detachable spoon wiping aids
- Cutlery with specially shaped elements enabling them to be suspended/supported







## References

### Informative references

Attention is drawn to the following places, which may be of interest for search:

Plates with integral holders for spoons, glasses, or the like	<a href="#">A47G 19/06</a>
Containers for delivering jam, mustard, or the like combined with a spreading implement	<a href="#">A47G 19/186</a>
Holders for articles of personal use in general, e.g. brushes	<a href="#">A47G 29/08</a>
Holders for spoons or the like attached to cooking pots	<a href="#">A47J 43/287</a>
Brush holders (for/in paint cans)	<a href="#">B44D 3/12</a>
Lids or covers provided with eating utensils	<a href="#">B65D 51/242</a>
Closures combined with brushes or rods for applying or stirring contents	<a href="#">B65D 51/32</a>

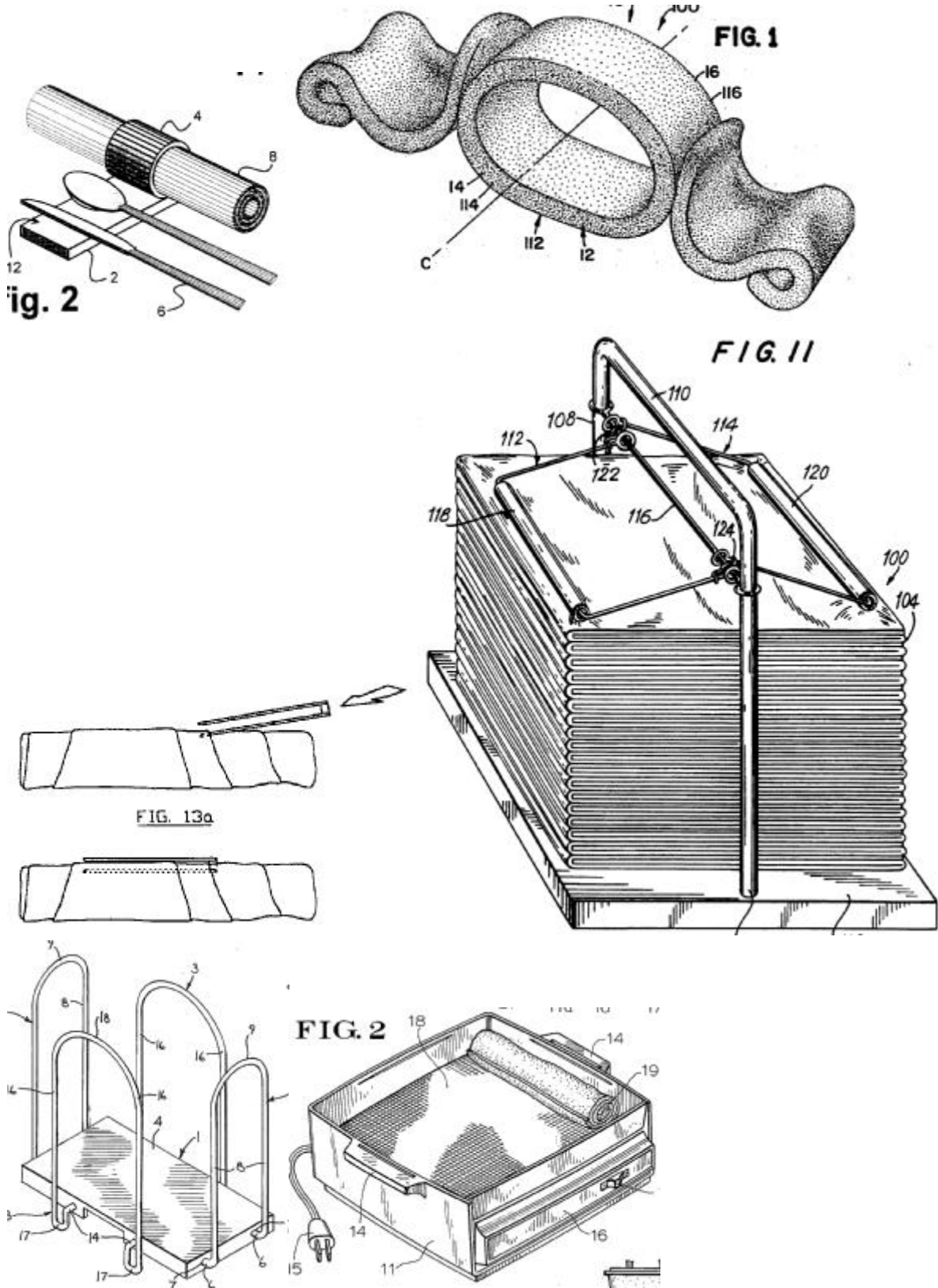
## A47G 21/16

### Table-cloth or napkin holders

#### Definition statement

*This place covers:*

- Napkin rings
- Napkin holders
- Napkin holders with additional functionality (holders for cutlery, condiments, menus, advertisement, etc.)
- Napkin/towel heating/steaming appliances



**References**

**Informative references**

Attention is drawn to the following places, which may be of interest for search:

Table napkins	<a href="#">A47G 11/001</a>
---------------	-----------------------------

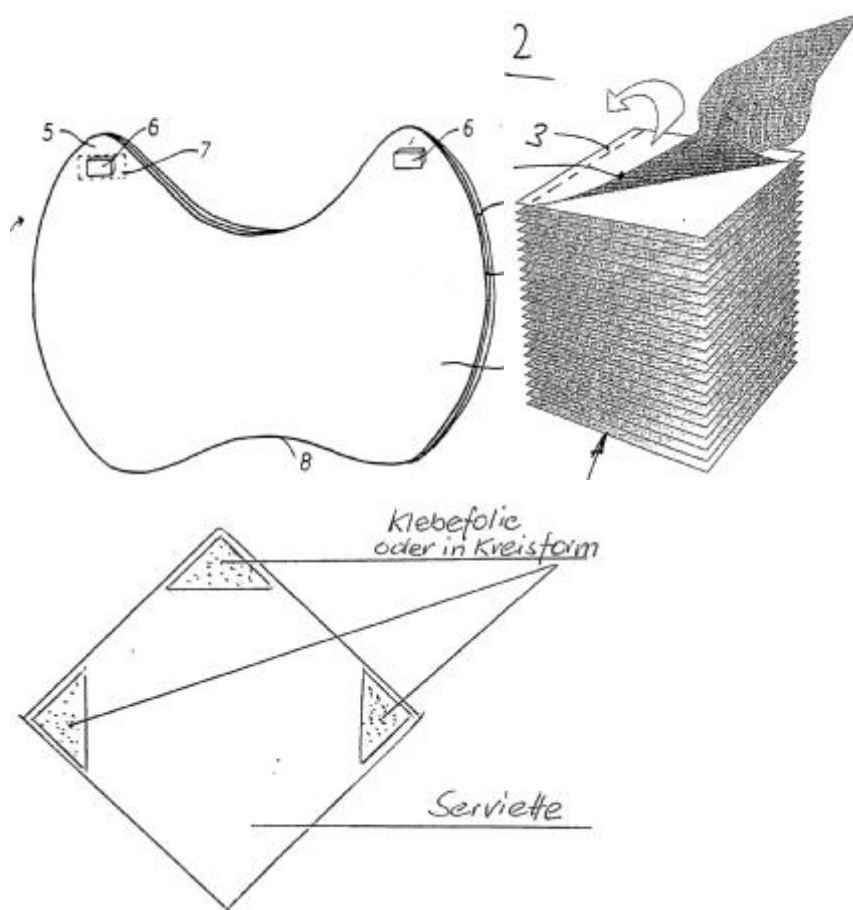
Bracelets	<a href="#">A44C 5/00</a>
Finger-rings	<a href="#">A44C 9/00</a>
Towel racks; Towel rails; Towel rods	<a href="#">A47K 10/04</a> (combined with heating <a href="#">A47K 10/06</a> )
Grips, hooks, or the like for hanging-up towels	<a href="#">A47K 10/12</a>
Towel dispensers	<a href="#">A47K 10/24</a>
Containers for dispensing thin flat articles in succession	<a href="#">B65D 83/08</a>
Ohmic-resistance heating	<a href="#">H05B 3/00</a>

## **A47G 2021/162**

**{employing adhesives}**

### **Definition statement**

*This place covers:*



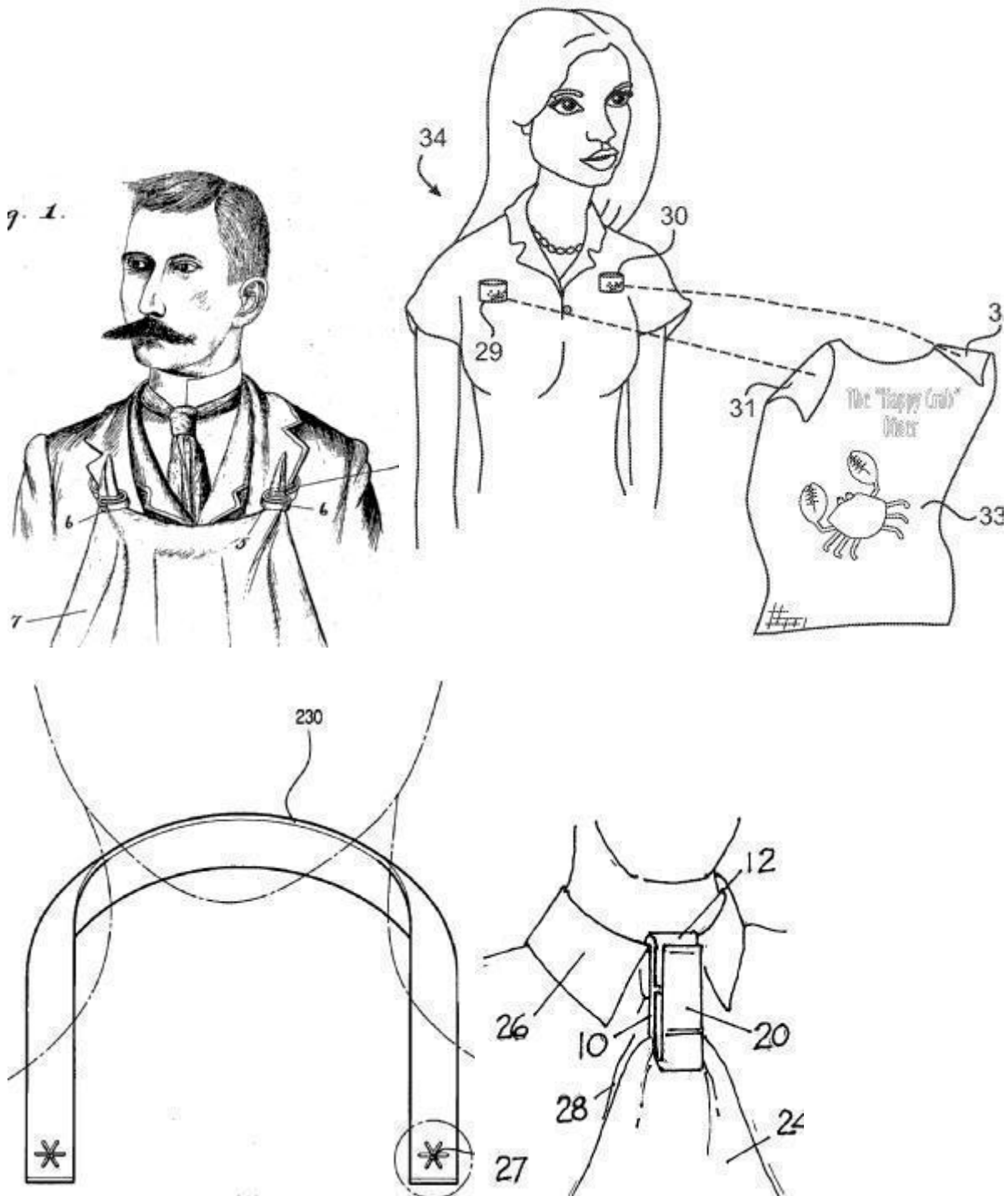
## A47G 21/165

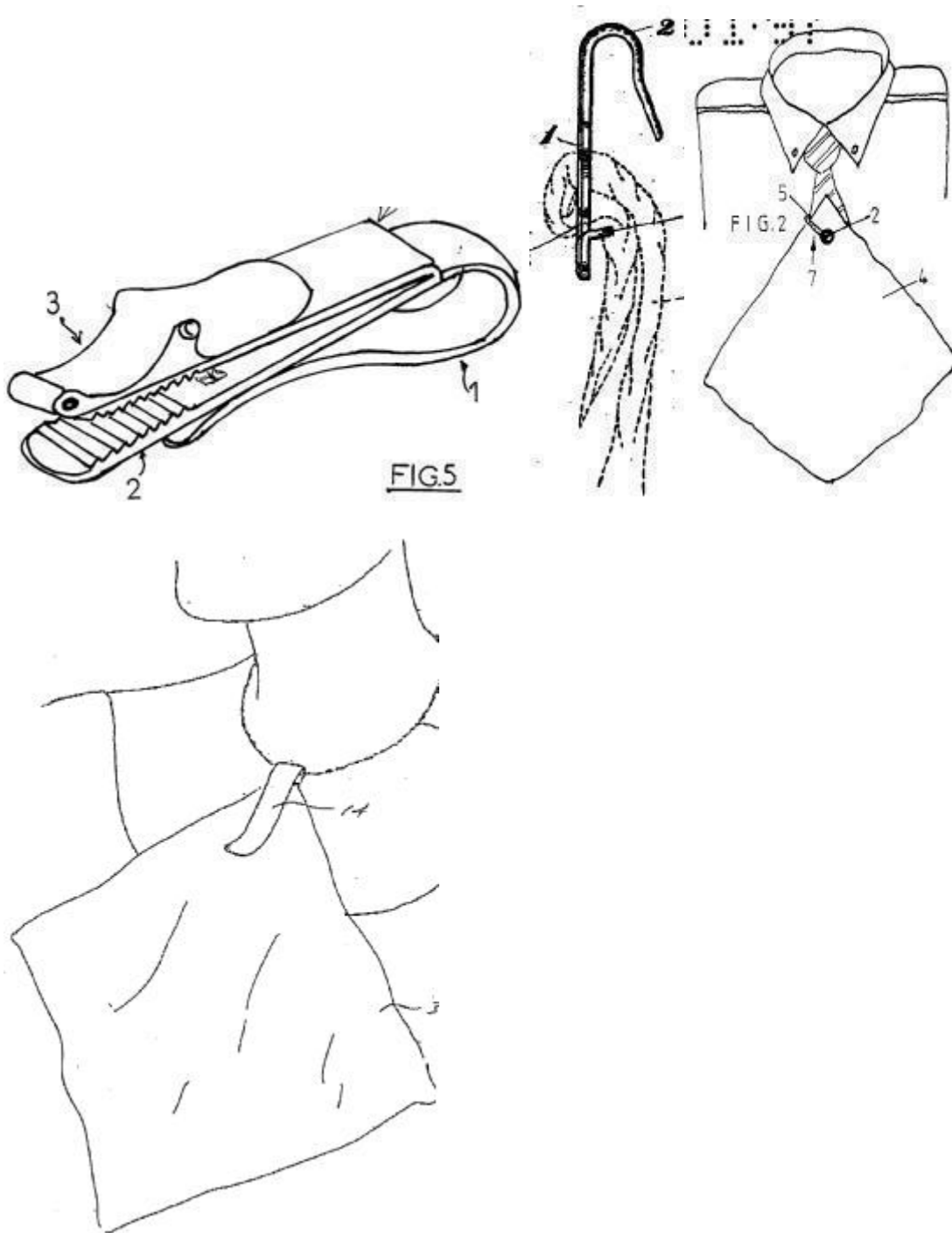
{Means for holding napkins on the clothes or around the neck of the user (bibs [A41B 13/10](#); fastening devices for aprons [A41D 13/04](#))}

### Definition statement

*This place covers:*

- Napkin holders in the form of chains, clips, hooks, adhesive strips, clamps, magnetic fasteners or the like





**References**

**Informative references**

Attention is drawn to the following places, which may be of interest for search:

Table napkins comprising (integral) means for attaching to a diner's clothing	<a href="#">A47G 11/002</a>
Bibs	<a href="#">A41B 13/10</a>
Fastening devices for aprons	<a href="#">A41D 13/04</a>
Tie clips and the like retainers	<a href="#">A44B 6/00</a>
Fastening handkerchiefs, napkins, or the like to a garment	<a href="#">A45F 5/04</a>



Paper-clips or like fasteners	<a href="#">B42F 1/02</a>
Adhesives in the form of films or foils	<a href="#">C09J 7/00</a>
Clothes-pegs	<a href="#">D06F 55/00</a>
Advertising on specific articles	<a href="#">G09F 23/00</a>

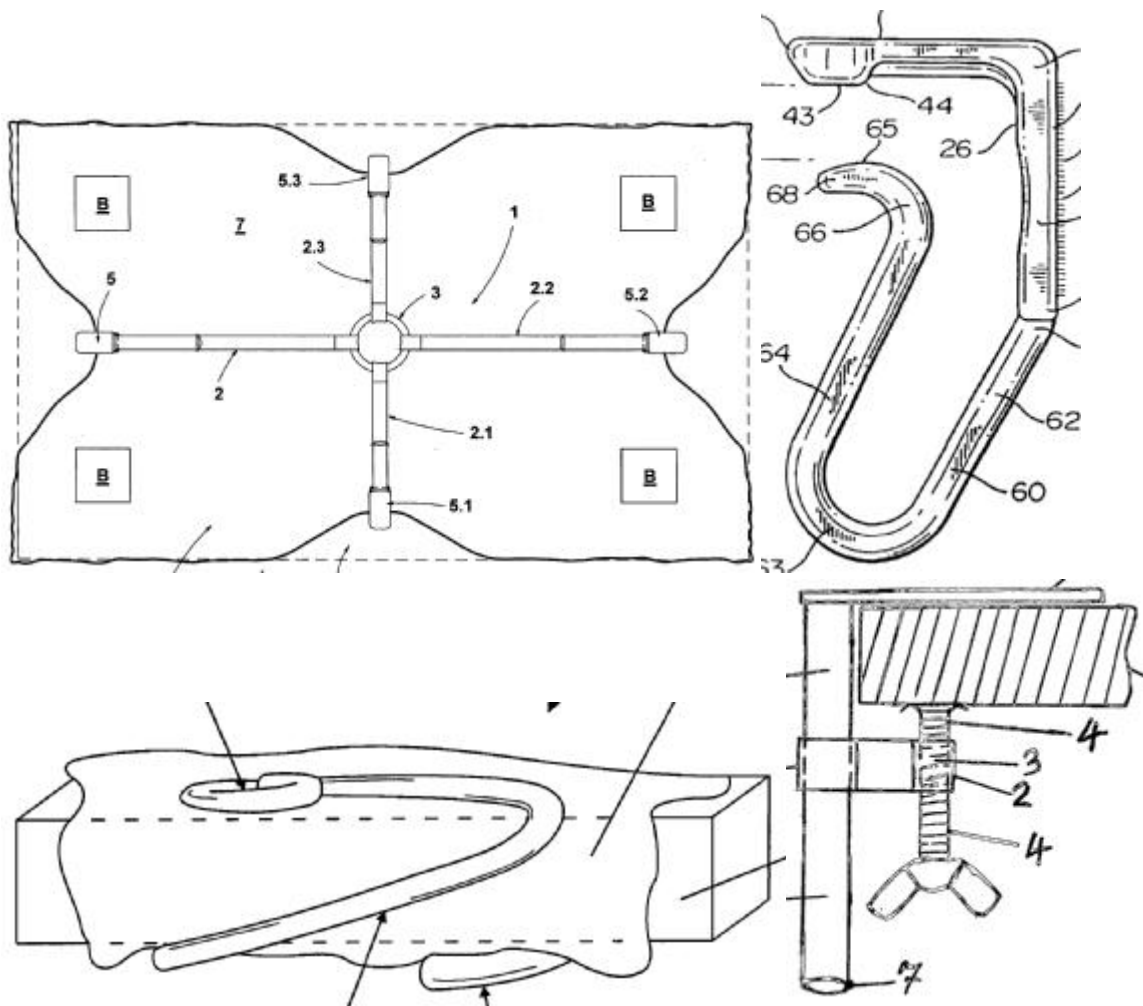
## A47G 21/167

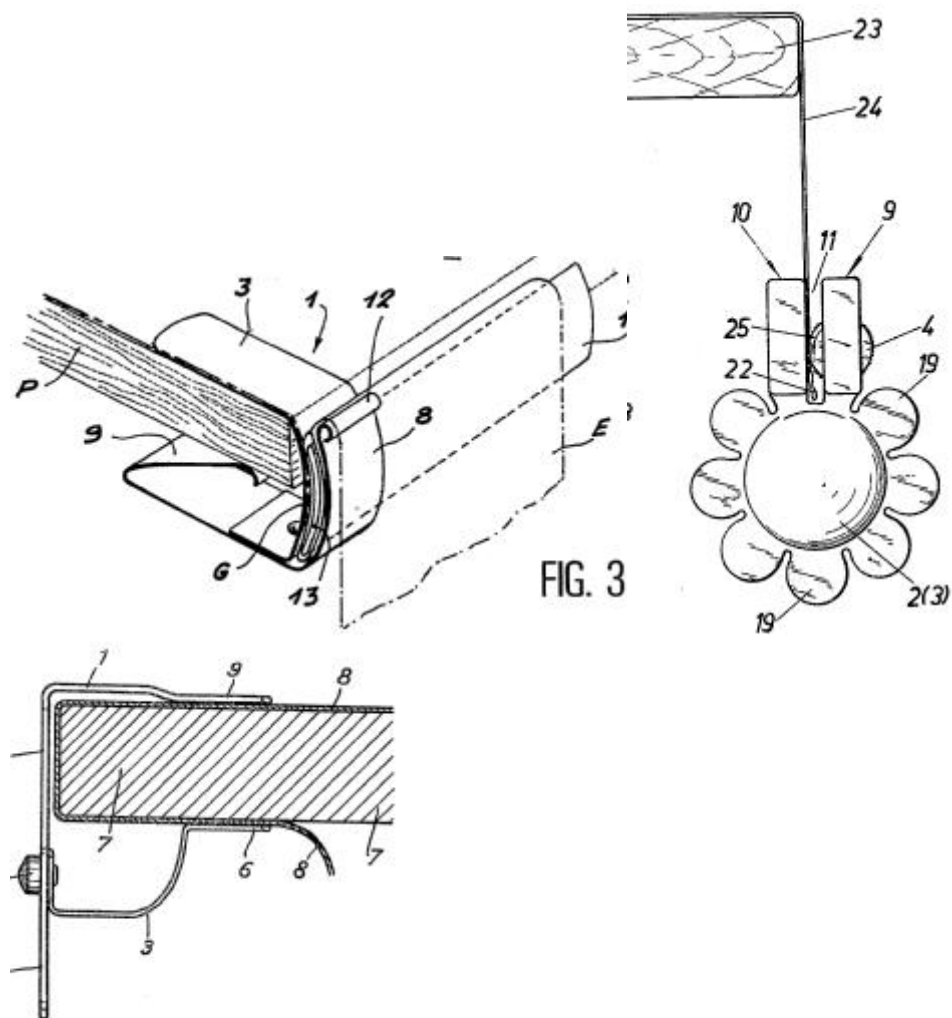
{Means for holding a table-cloth on a table}

### Definition statement

This place covers:

- Fixing table cloth and/or skirting on a table by the use of clips, clamps, weights, adhesives, etc.





## References

### Informative references

Attention is drawn to the following places, which may be of interest for search:

Table-cloths	<a href="#">A47G 11/003</a>
Devices for suspending handbags from tables, chairs or the like	<a href="#">A47G 29/083</a>
Bibs	<a href="#">A41B 13/10</a>
Fastening curtains on curtain rods or rails	<a href="#">A47H 13/00</a>
Clamps	<a href="#">F16B 2/02</a>
Joining flexible sheets to other sheets or plates or to strips or bars	<a href="#">F16B 5/0692</a>

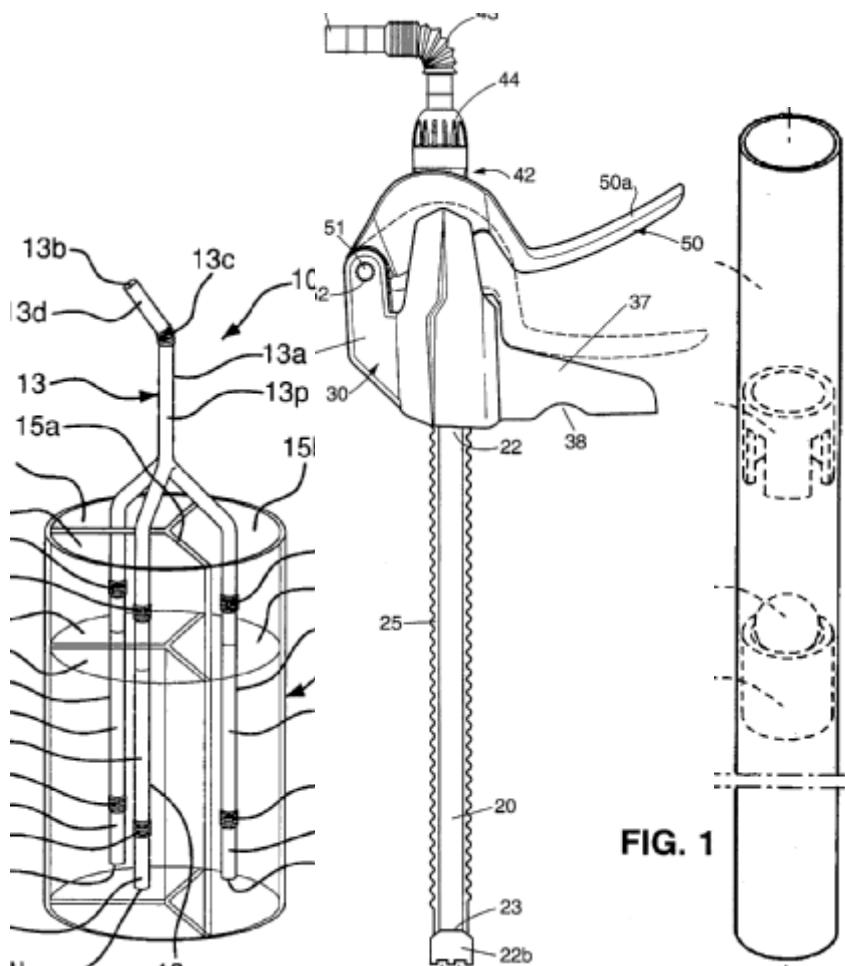
## A47G 21/18

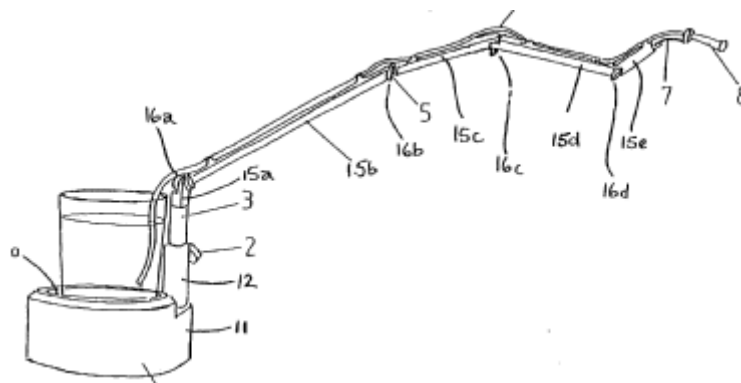
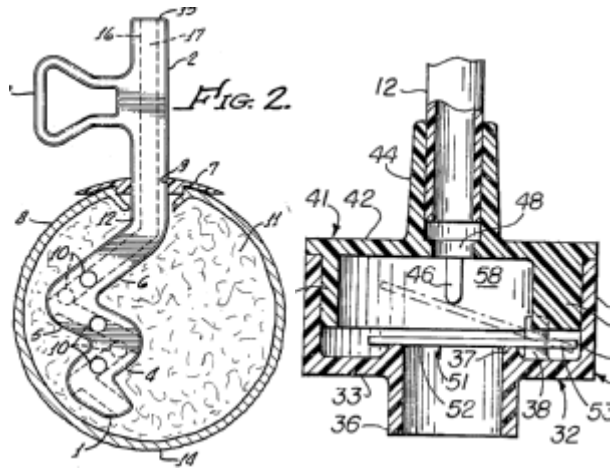
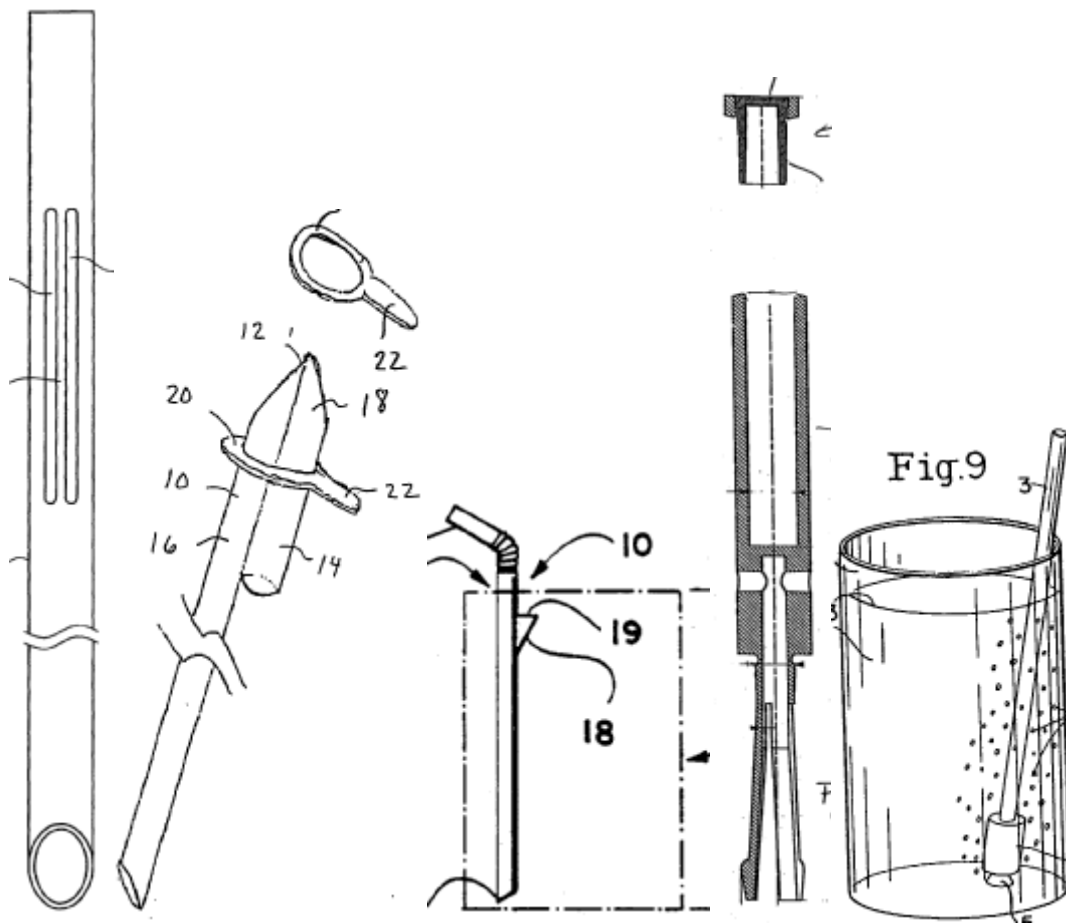
Drinking straws or the like ({as integral parts of drinking containers [A47G 19/2266](#);} for therapeutic purposes [A61J 15/00](#) {; adapted to emerge from drinking containers when opened [B65D 77/283](#)})

### Definition statement

*This place covers:*

- Straws with anti-spill features: non-return valves, (sanitary) caps, closure elements, etc.
- Straws with means preventing their accidental removal from a drinking opening
- Straw for drinking multiple liquids simultaneously
- Straws made from particular materials
- Straws with weights or buoyancy elements
- Straws with re-inforced profile
- Pumping straws
- Self venting straws
- Straws suitable for drinking/sucking through the peel of citrus fruits





## References

### Informative references

Attention is drawn to the following places, which may be of interest for search:

Straw holders for drinking glasses	<a href="#">A47G 19/2222</a>
As integral parts of drinking containers	<a href="#">A47G 19/2266</a>
Water-bottles; Mess-tins; Cups of the travelling or camp type ("Camel-back")	<a href="#">A45F 3/16</a>
Straws specially adapted for taking medicines	<a href="#">A61J 7/0038</a>
Feeding-bottles having elongated tubes, e.g. for drinking from bottle in upright position	<a href="#">A61J 9/006</a>
For therapeutic purposes	<a href="#">A61J 15/00</a> (gastrostomy feeding-tubes <b>A61J15/00A</b> )
Closures with pouring spouts or tubes	<a href="#">B65D 47/06</a>
Drinking straws prepackaged inside containers	<a href="#">B65D 77/28</a> (adapted to emerge from drinking containers when opened <a href="#">B65D 77/283</a> )
Portable drinking tubes and straws	239/33 (UC)
Drinking device with straw or drinking tube	215/388, 215/229, 220/705 (UC)
Food suction utensils (e.g., straws)	3B115/BA18 (FT)

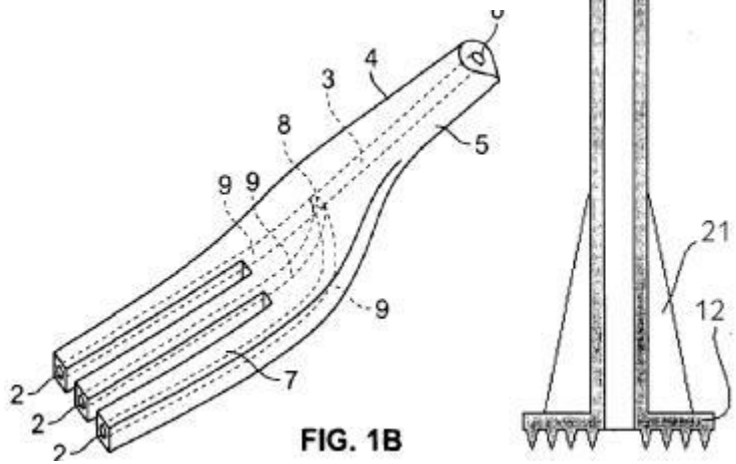
## A47G 21/181

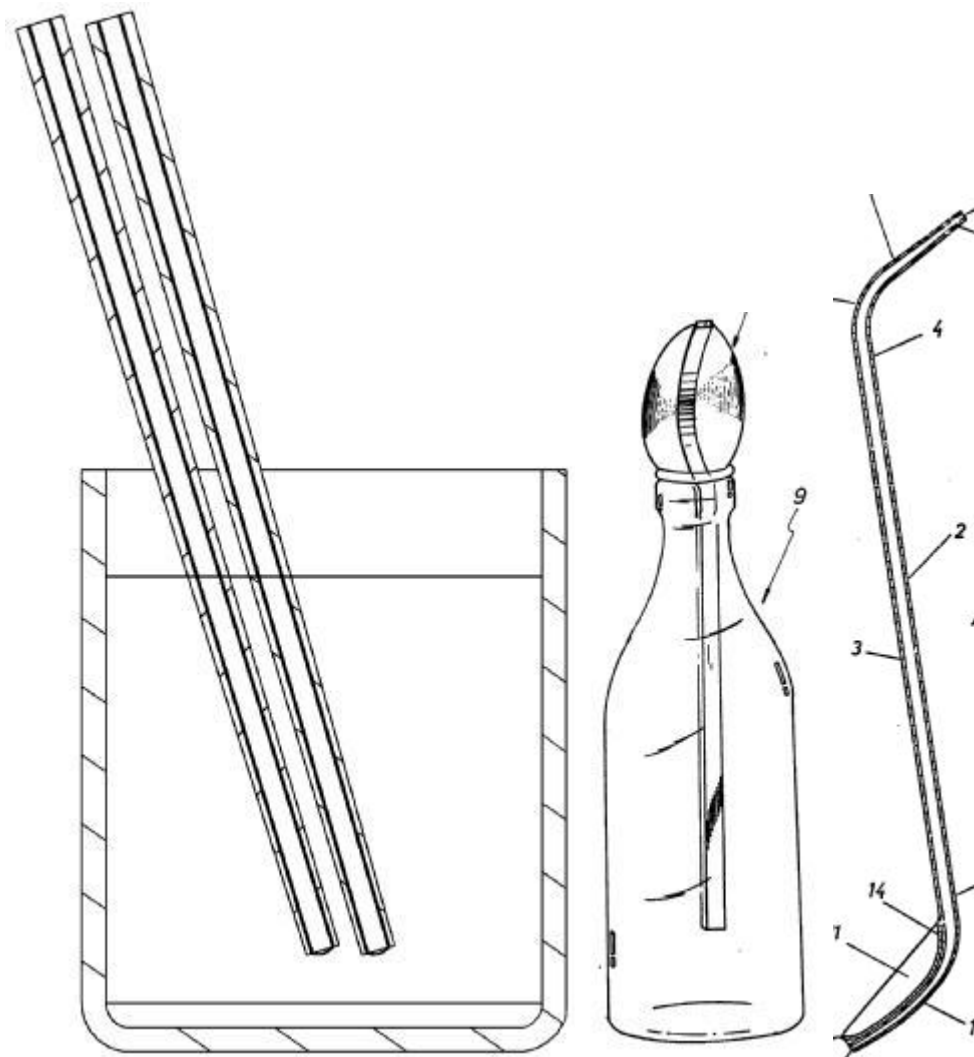
{combined with cutlery or other eating utensils}

### Definition statement

*This place covers:*

- Drinking straws also having the function of a spoon, fork, knife, cocktail stirrer, chop stick, etc.





## References

### Informative references

Attention is drawn to the following places, which may be of interest for search:

Spoons comprising beverage additives	<a href="#">A47G21/04D</a>
Brushes with additional arrangements	<a href="#">A46B 15/00</a>
Spoons with fluid conductors	30/141 (UC)

## A47G 21/182

{with means for amusing or giving information to the user}

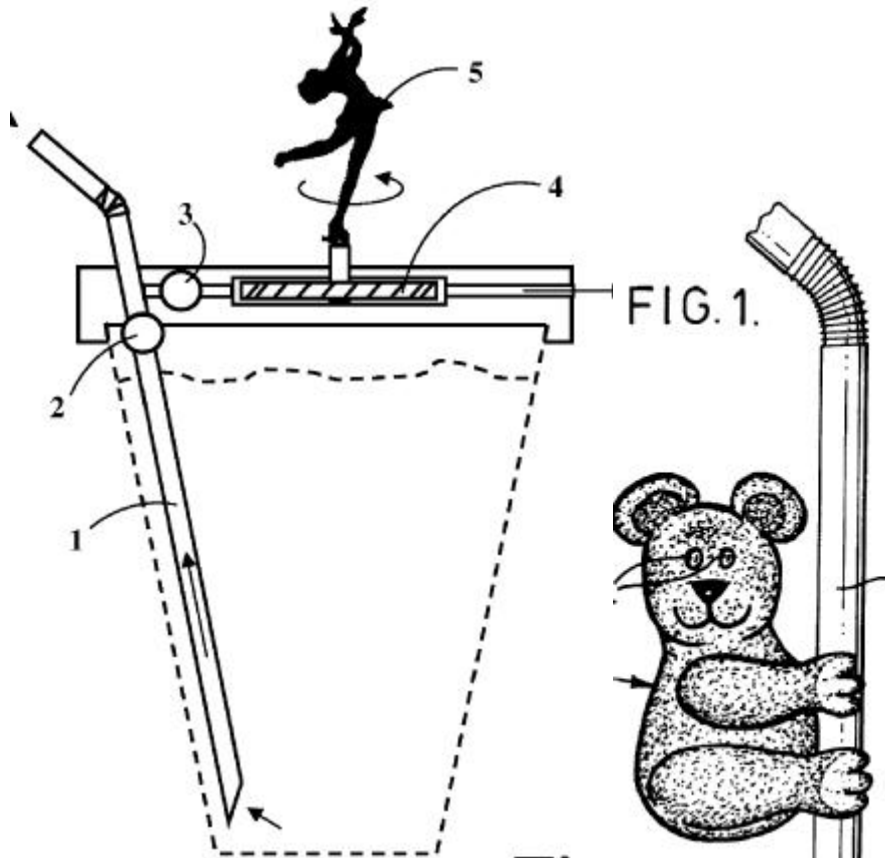
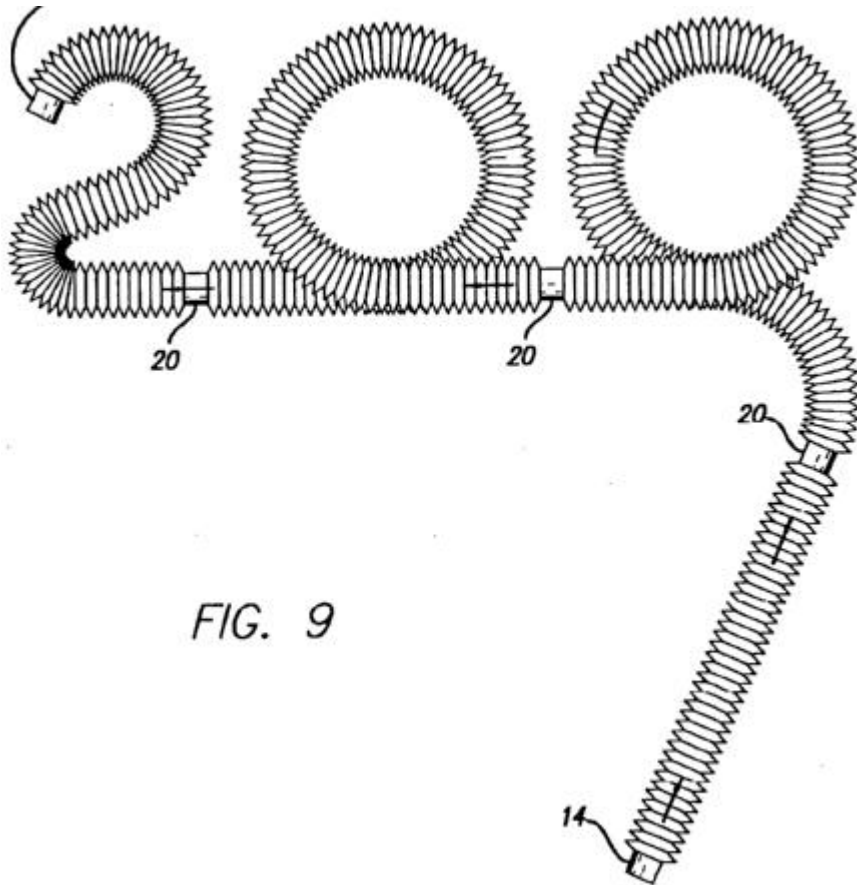
### Definition statement

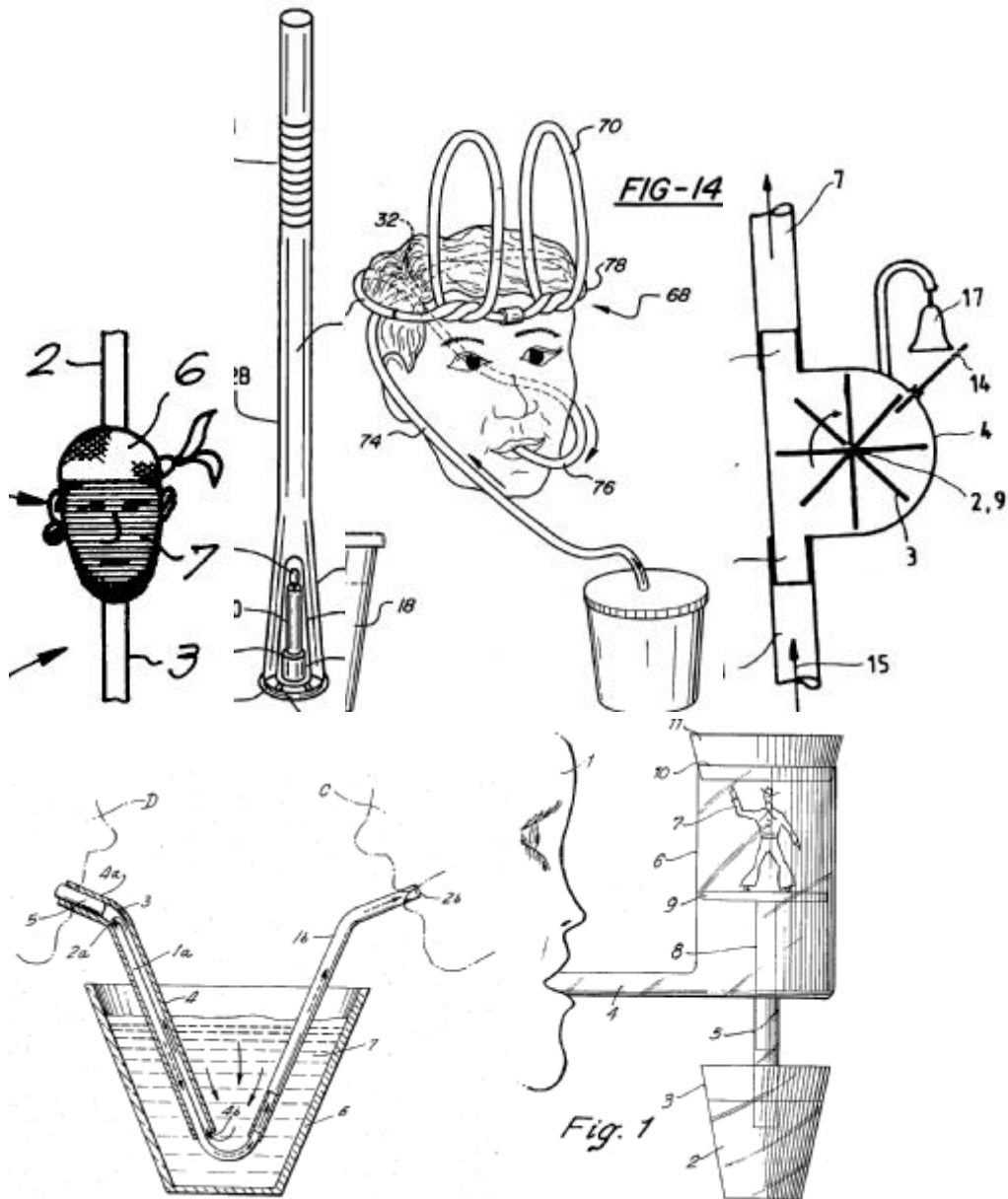
This place covers:

- Drinking straws for couples
- Interconnectable drinking straws usable as construction elements
- Drinking straws containing information, (hidden) lottery/prize elements
- Animated drinking straws i.e. comprising:
- Sound

- Illumination
- Parts moved directly or indirectly by the liquid
- Toy aspects
- Figurines







## References

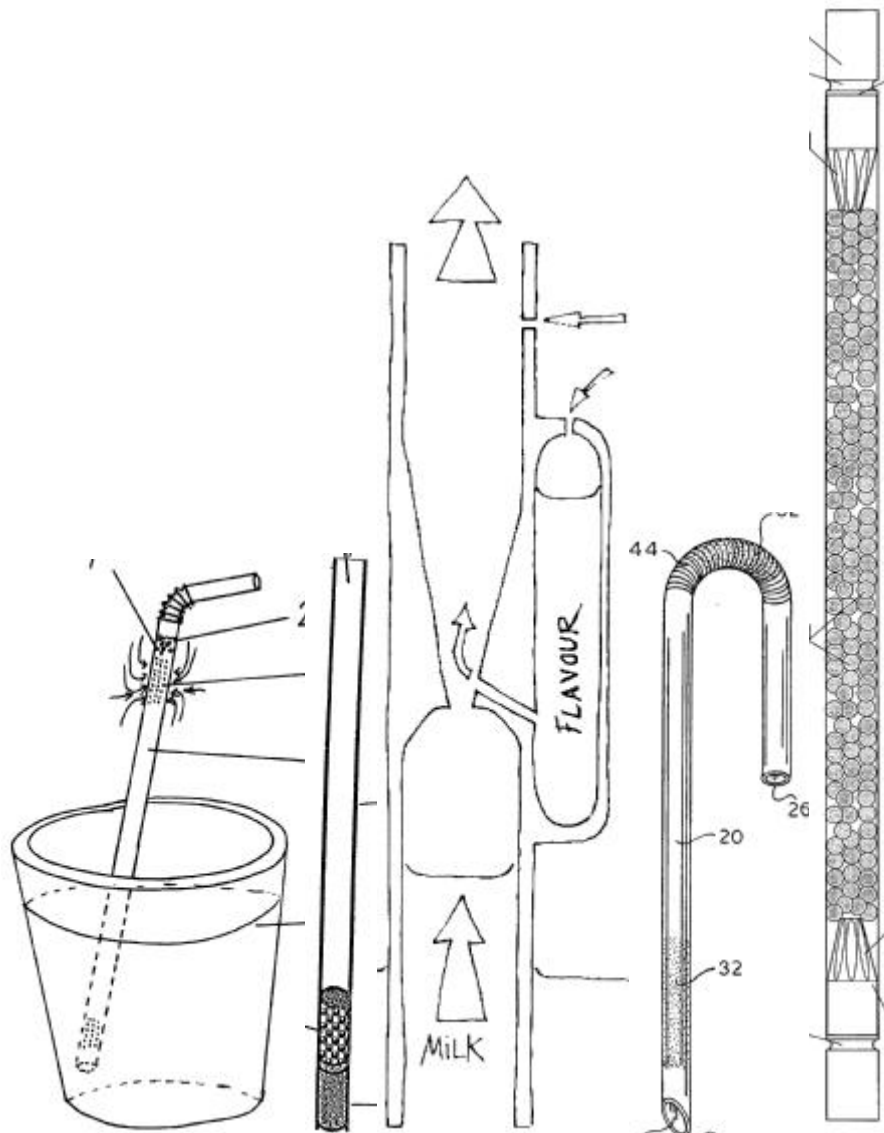
### Informative references

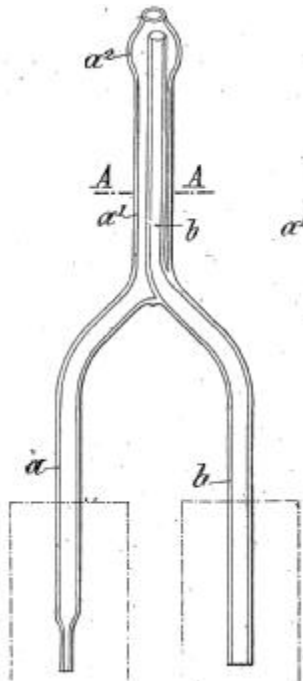
Attention is drawn to the following places, which may be of interest for search:

Drinking vessels with means for amusing or giving information to the user	<a href="#">A47G 19/2227</a>
Toys	<a href="#">A63H</a>
Lighting devices combined with household or table equipment	<a href="#">F21V 33/0024</a>
Measuring temperature based upon physical or chemical changes	<a href="#">G01K 11/00</a>
Decoration and design	3B115/AA30 (FT)

**A47G 21/183****{with means for changing the flavour of the liquid}****Definition statement***This place covers:*

- Straws with means for releasing medicaments, flavouring, additives, etc. into the liquid
- Straws for mixing air into the liquid
- Straws with means for mixing a plurality of liquids





**References**

**Informative references**

Attention is drawn to the following places, which may be of interest for search:

Spoons comprising beverage additives	<b>A47G21/04D</b>
Foodstuffs fixed on a non-edible supporting member	<a href="#">A23P 10/10</a>
Devices specially adapted for taking medicines	<a href="#">A61J 7/00</a>
Containers for packaging two or more different materials which must be maintained separate prior to use	<a href="#">B65D 81/32</a>
Spoons with additives	A47G21/04&D (FI)

**A47G 21/184**

{Dispensers therefor}

**Definition statement**

This place covers:

- Dispensing only a single straw at a time
- Simple straw holders for table use

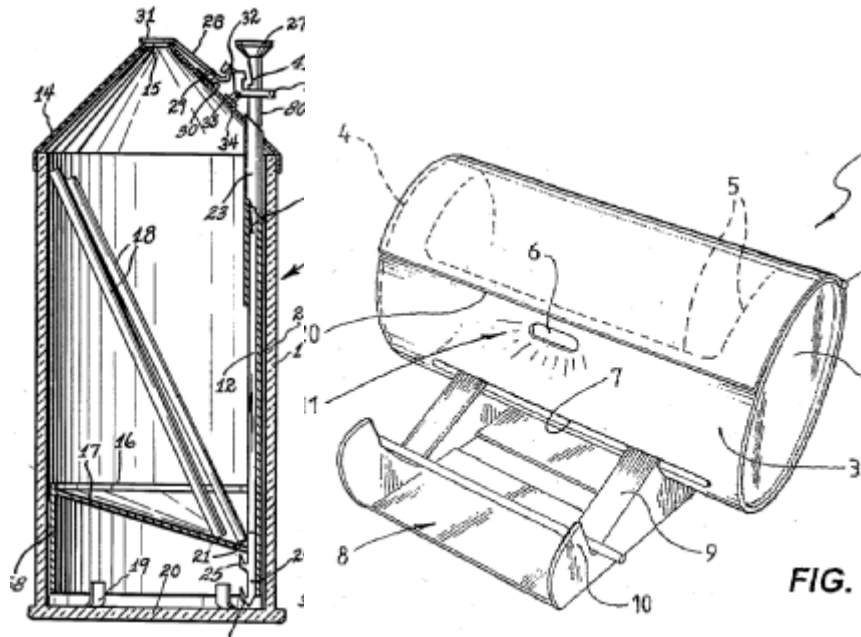
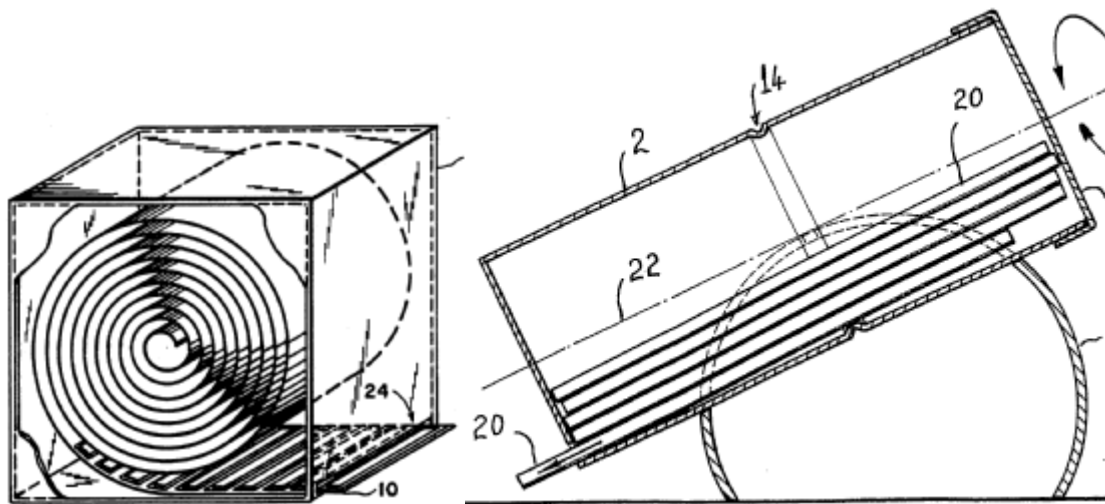
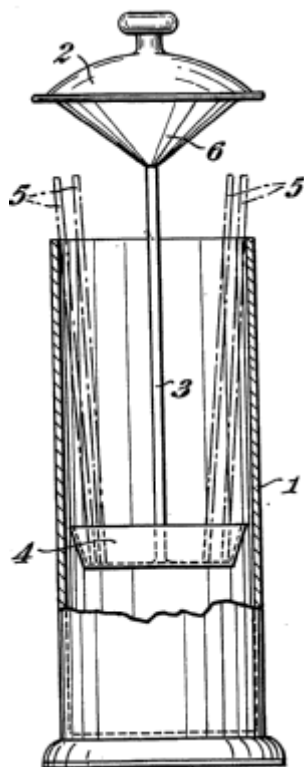


FIG.





## References

### Informative references

Attention is drawn to the following places, which may be of interest for search:

Dispensers for toothpicks	<a href="#">A47G 21/12</a>
Receptacles with appliances for releasing a single cigar or cigarette	<a href="#">A24F 15/04</a>
Racks or containers with arrangements for dispensing articles	<a href="#">A47F 1/04</a>
Toothpicks	<a href="#">A61C 15/02</a>
Containers or packages for dispensing rod-shaped articles	<a href="#">B65D 83/02</a>

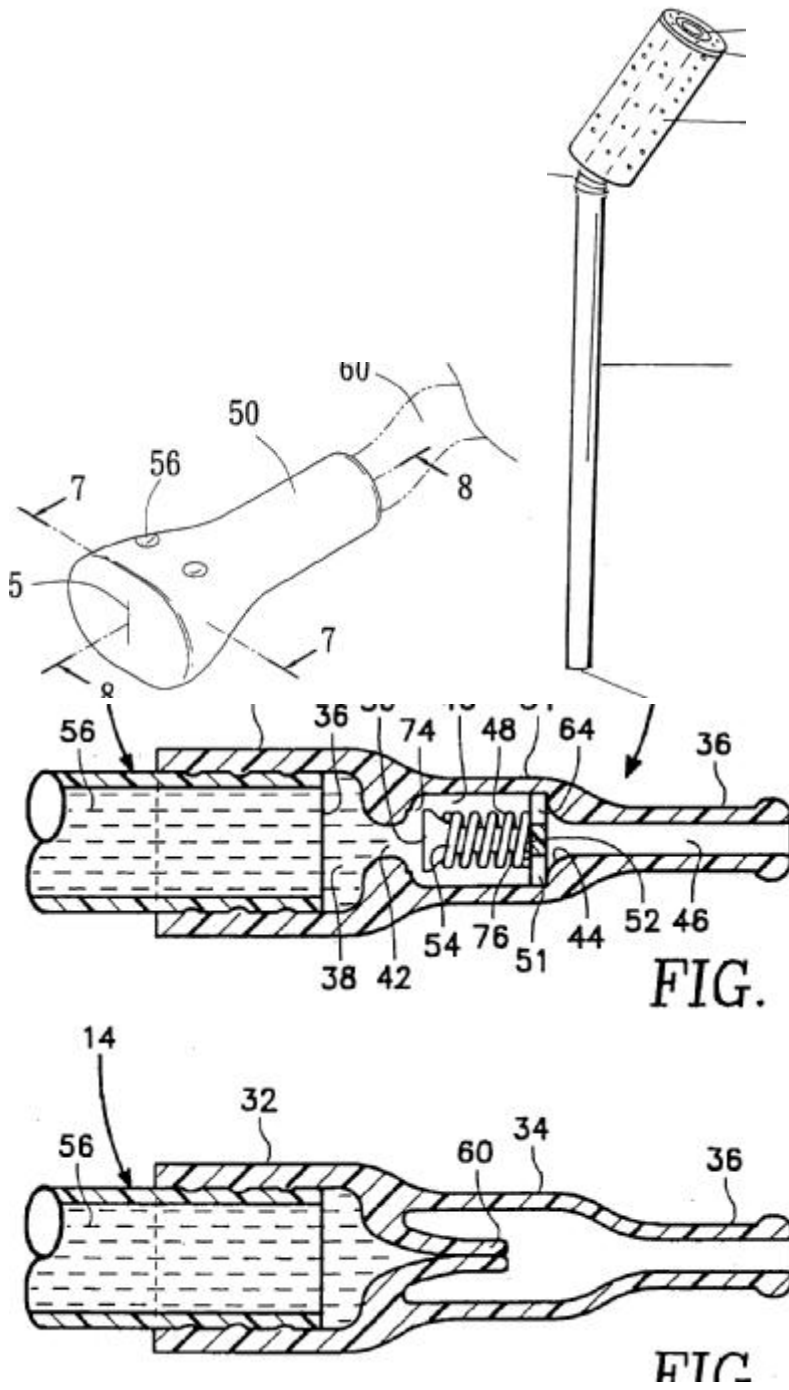
## A47G 21/185

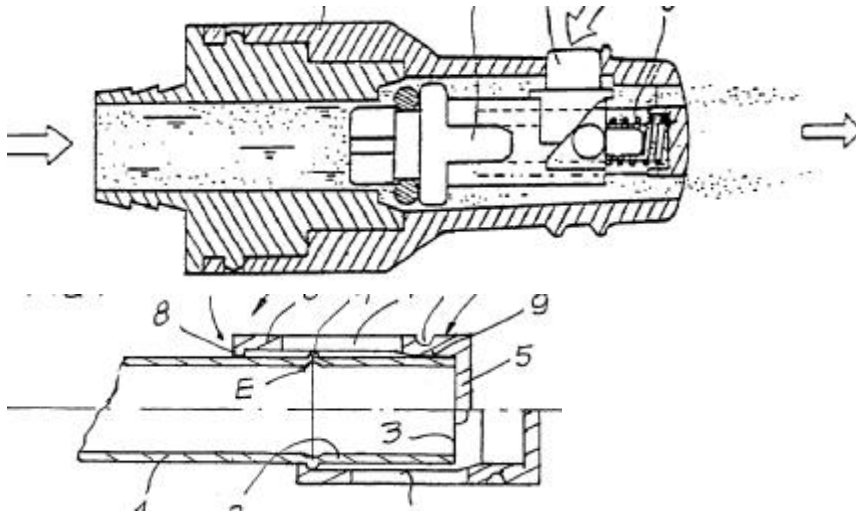
### {Mouthpieces}

#### Definition statement

This place covers:

- Mouthpieces with suction or bite valve elements preventing leakage and/or return flow
- Mouthpieces shaped to help ingest unpalatable





**References**

**Informative references**

Attention is drawn to the following places, which may be of interest for search:

Water-bottles; Mess-tins; Cups of the travelling or camp type ("Camel-back")	<a href="#">A45F 3/16</a>
Gastrostomy feeding-tubes	<b>A61J15/00A</b>
Valves or arrangement of valves in tubes	<a href="#">A61M 39/22</a>
Check valves	<a href="#">F16K 15/00</a>

**A47G 21/186**

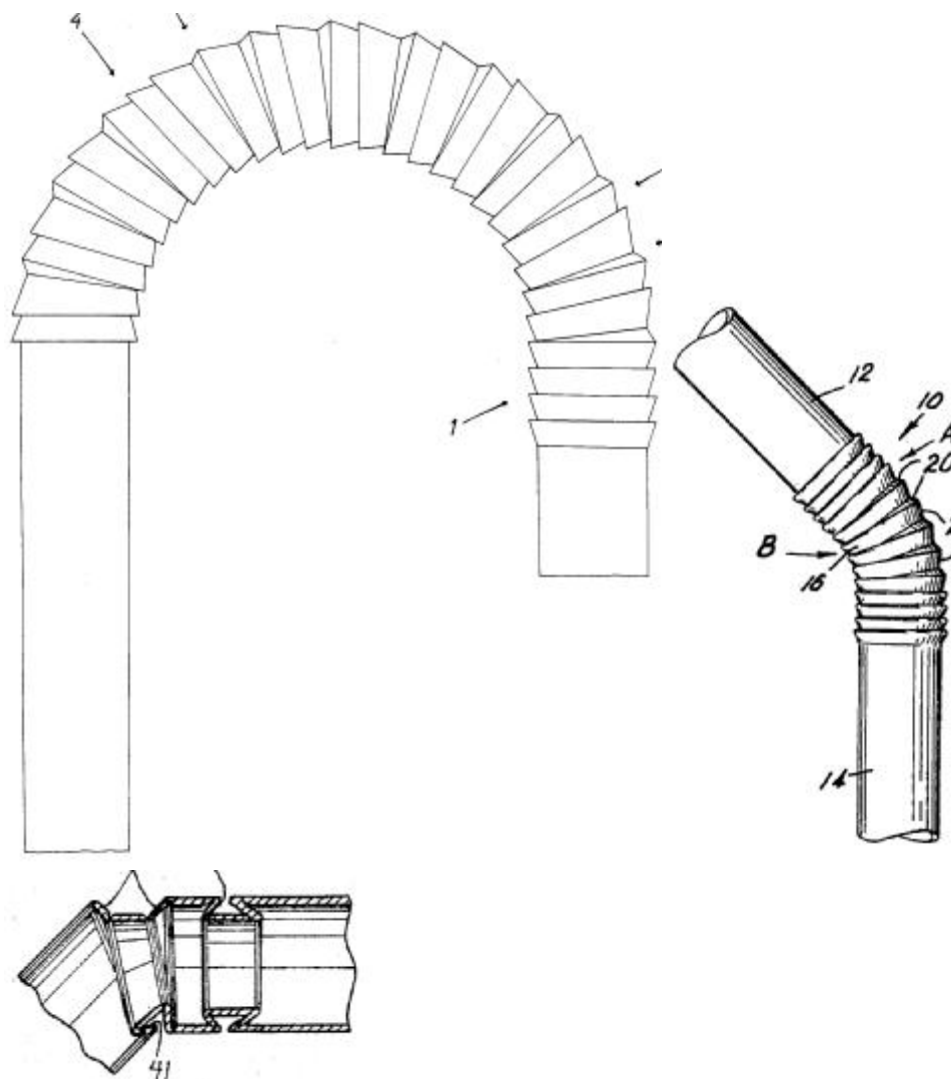
**{Details of bendable straws}**

**Definition statement**

This place covers:

- Straws with sections that are corrugated or made adjustable in other ways





## References

### Informative references

Attention is drawn to the following places, which may be of interest for search:

Blow-moulding	<a href="#">B29C 49/00</a>
Corrugating of tubes	<a href="#">B29C 53/30</a>
Pleated or corrugated hoses	<a href="#">B29D 23/18</a>
Corrugating paper or cardboard tubes	<a href="#">B31F 1/205</a>
Hoses with corrugated wall	<a href="#">F16L 11/11</a>
Bellows-like articles	3B115/DB16 (FT)

## A47G 21/187

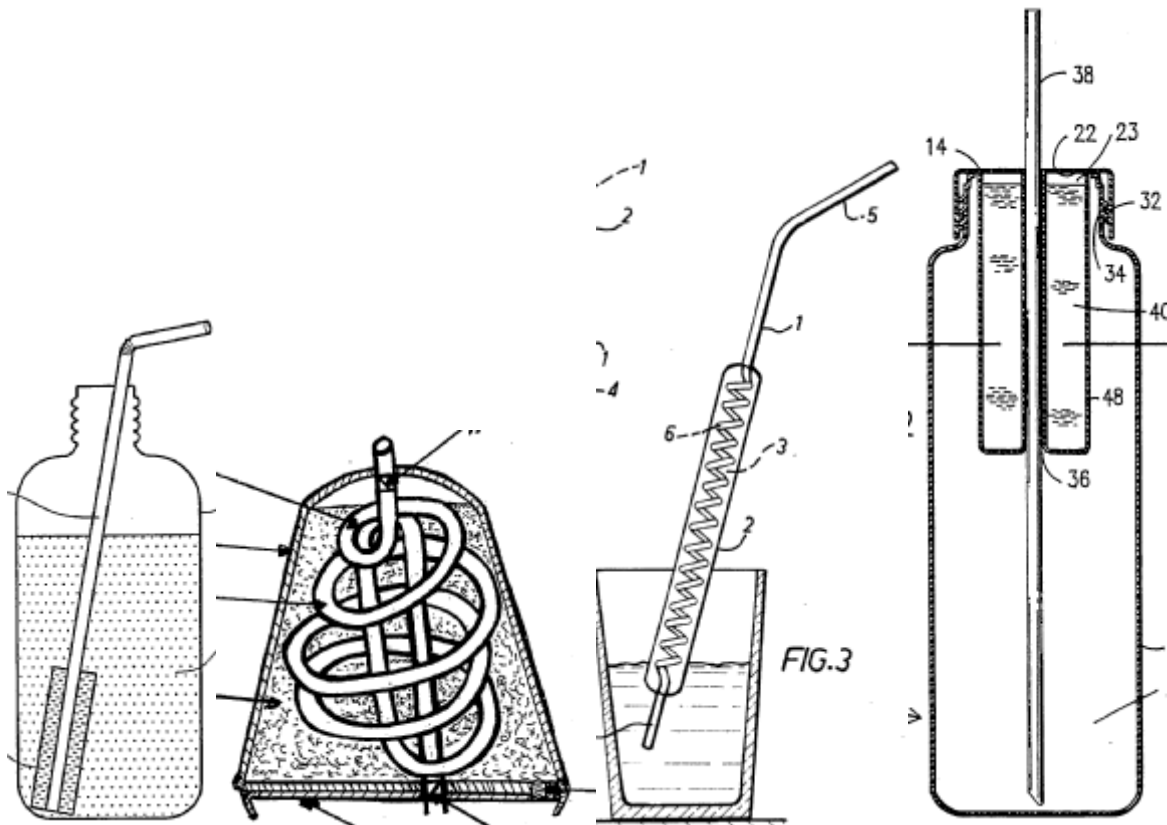
{with means for cooling the liquid}

### Definition statement

This place covers:

- Thermally insulated straws

- Straws with cooling or heating elements



## References

### Informative references

Attention is drawn to the following places, which may be of interest for search:

Table-ware with means for influencing or monitoring the temperature of the food	<a href="#">A47G 2021/008</a>
Devices using other cold materials or cold-storage bodies	<a href="#">F25D 3/00</a>

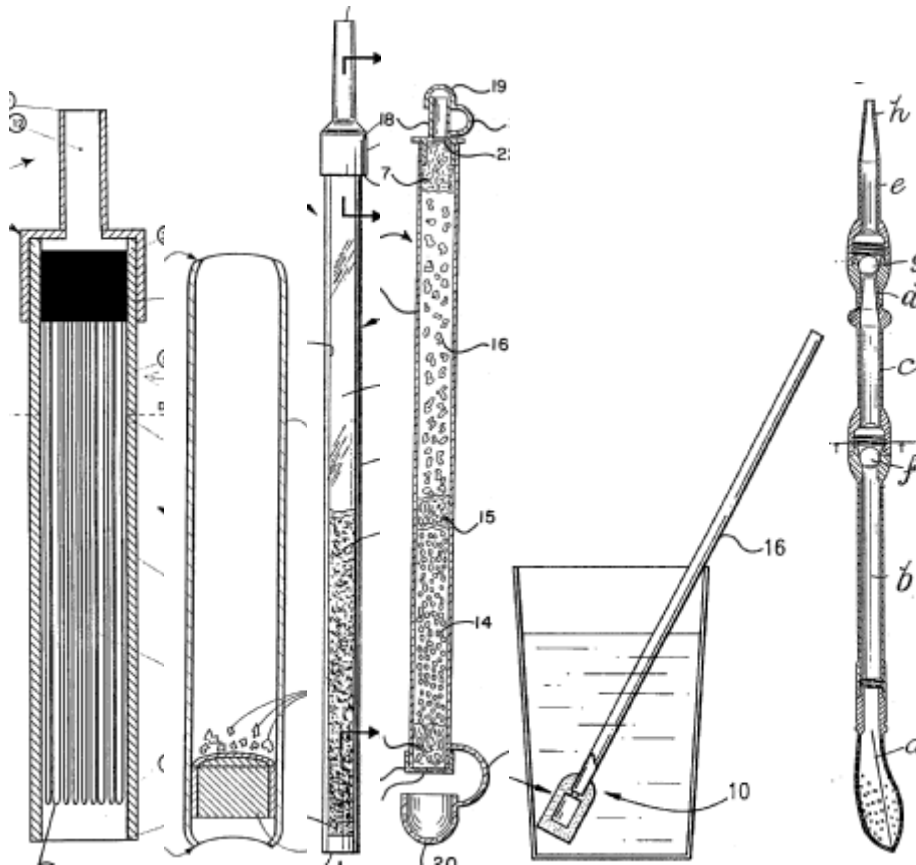
## A47G 21/188

{with filters to remove impurities}

### Definition statement

This place covers:

- Straws with filters for removing particles or impurities
- Straws with antimicrobial filters or other means to purify contaminated water



## References

### Informative references

Attention is drawn to the following places, which may be of interest for search:

Processes of separation using semi-permeable membranes	<a href="#">B01D 61/00</a> (Ultrafiltration; Microfiltration <a href="#">B01D 61/14</a> )
Apparatus in general for separation processes using semi-permeable membranes	<a href="#">B01D 63/00</a>
Nanotechnology for materials or surface science, e.g. nanocomposites	<a href="#">B82Y 30/00</a>
Treatment of water	<a href="#">C02F 1/00</a> (using small portable filters for producing potable water <a href="#">C02F 1/002</a> )

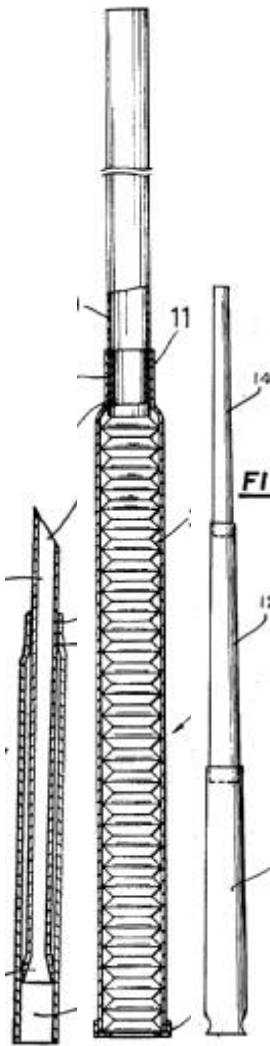
## A47G 21/189

{telescoping}

### Definition statement

This place covers:

- Telescopic or extendable straws



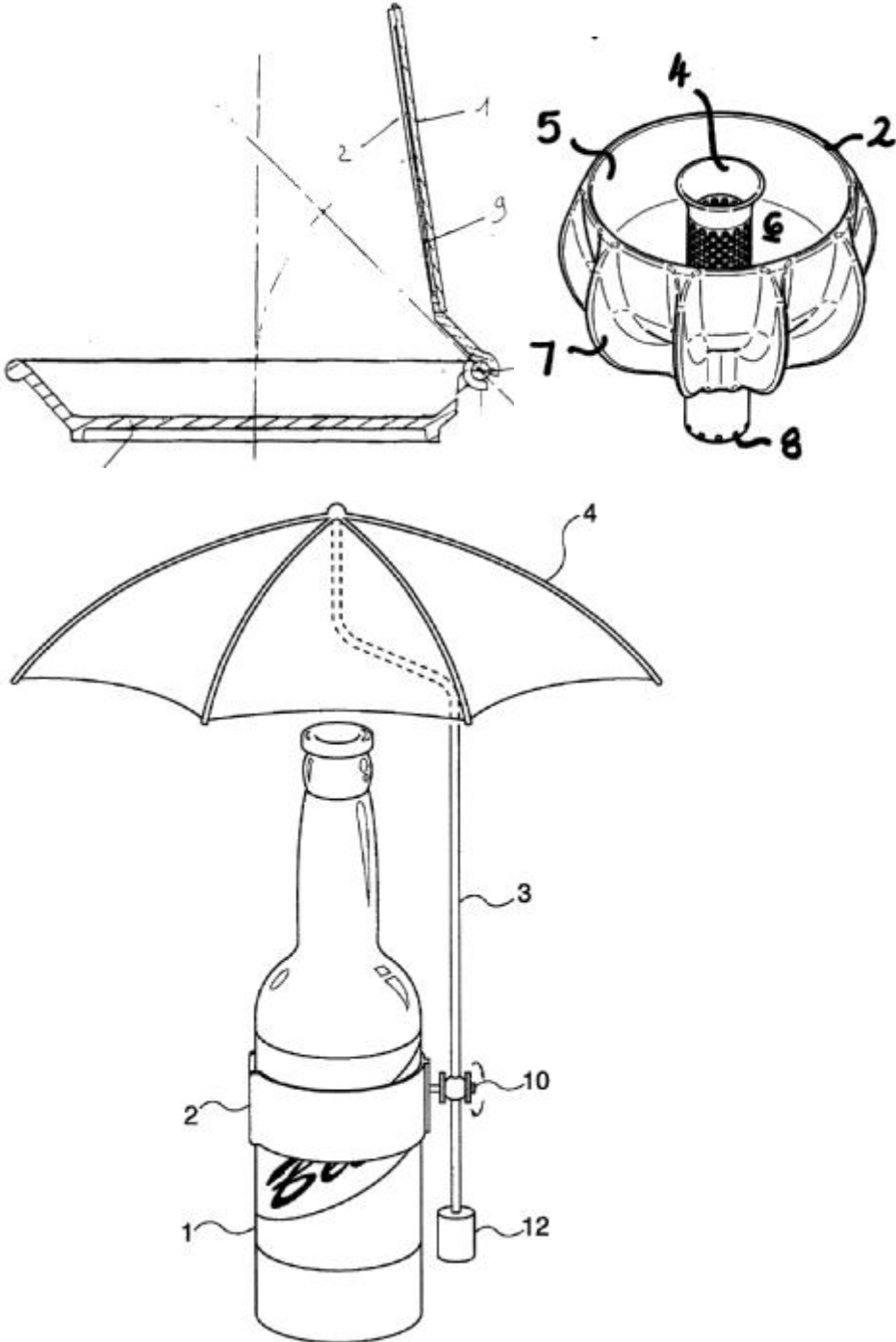
## A47G 23/00

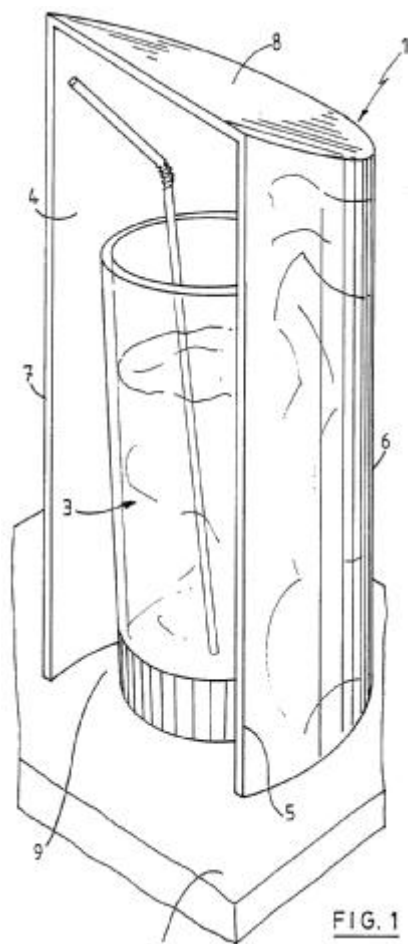
### Other table equipment

#### Definition statement

*This place covers:*

- Device for shading a beverage container
- Saucers or plates for presenting a waiters bill
- Wine breathers





## References

### Informative references

Attention is drawn to the following places, which may be of interest for search:

Saucers	<a href="#">A47G 19/2283</a>
Umbrellas characterised by their shape or attachment	<a href="#">A45B 11/00</a>
Other umbrellas	<a href="#">A45B 23/00</a>
Producing aerated liquids	<a href="#">B01F 23/23</a>
Funnels	<a href="#">B67C 11/00</a>
Change trays	<a href="#">G07D 9/02</a>
Advertising combined with articles for restaurants	<a href="#">G09F 23/06</a> (on tableware <a href="#">G09F 23/08</a> )

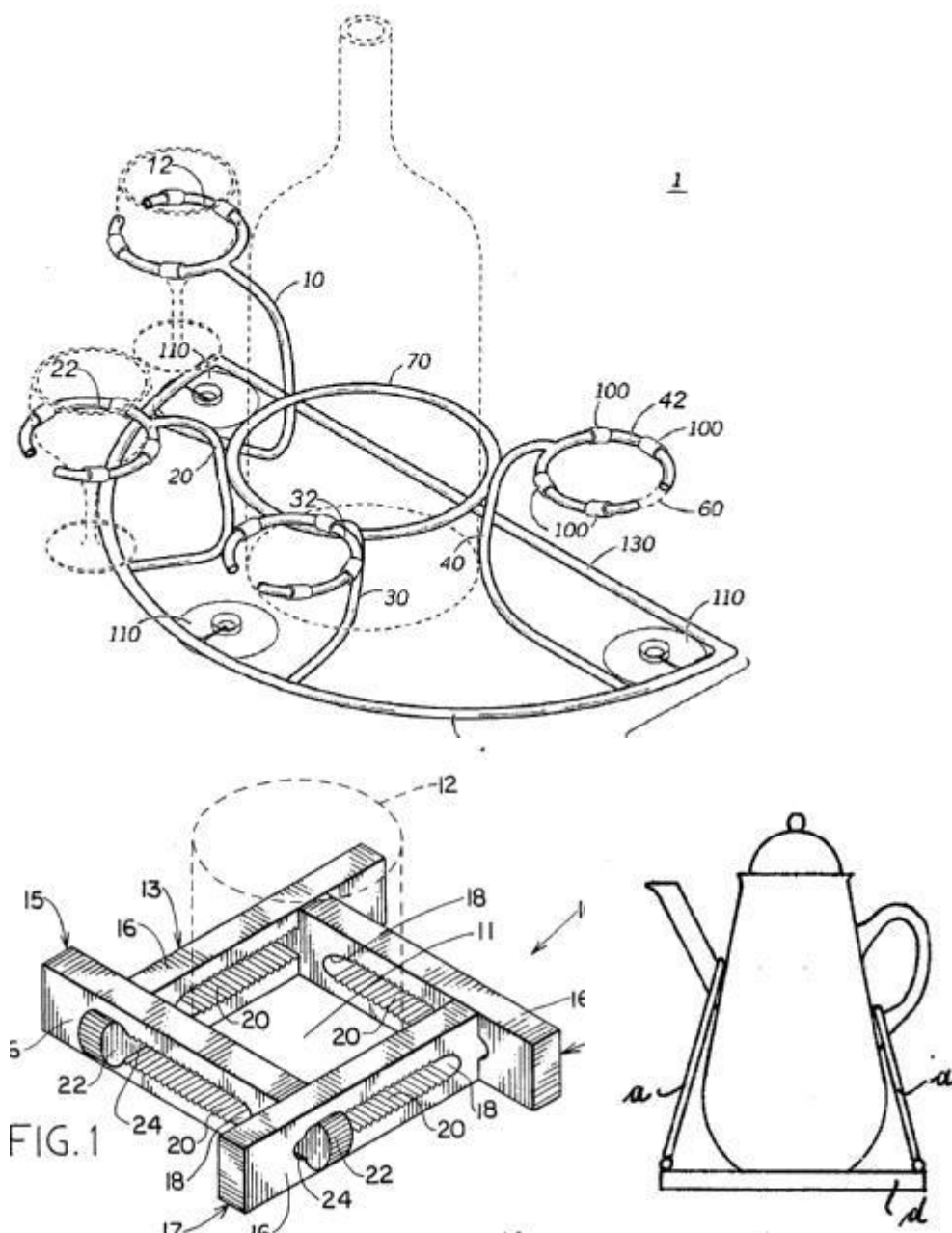
## A47G 23/02

Glass or bottle holders {(serving trays with openings for carrying glasses or bottles [A47G 23/0641](#); bottle racks [A47B 73/00](#); for feeding-bottles [A61J 9/06](#); in vehicles [B60N 3/10](#))}

### Definition statement

This place covers:

- Devices not specifically for holding only one particular type of drinking container, i.e. suitable for glasses, bottles, cans, etc.
- Holders adapted to magnetically treat liquids
- Floating beverage holders
- Supports for tea or coffee pots



## References

### Informative references

Attention is drawn to the following places, which may be of interest for search:

Serving trays with openings for carrying glasses or bottles	<a href="#">A47G 23/0641</a>
Bottle racks	<a href="#">A47B 73/00</a>
Show stands, hangers, or shelves characterised by their constructional features	<a href="#">A47F 5/00</a>
For feeding-bottles	<a href="#">A61J 9/06</a>
Arrangements or adaptations of other passenger fittings in vehicles	<a href="#">B60N 3/00</a> and in particular <a href="#">B60N 3/10</a>
Apparatus or devices for controlling flow of liquids under gravity from storage containers for dispensing purposes	<a href="#">B67D 3/00</a>
Other supports for positioning apparatus or articles	<a href="#">F16M 13/00</a>

## A47G 23/0208

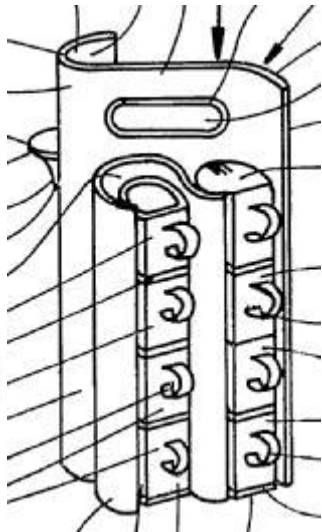
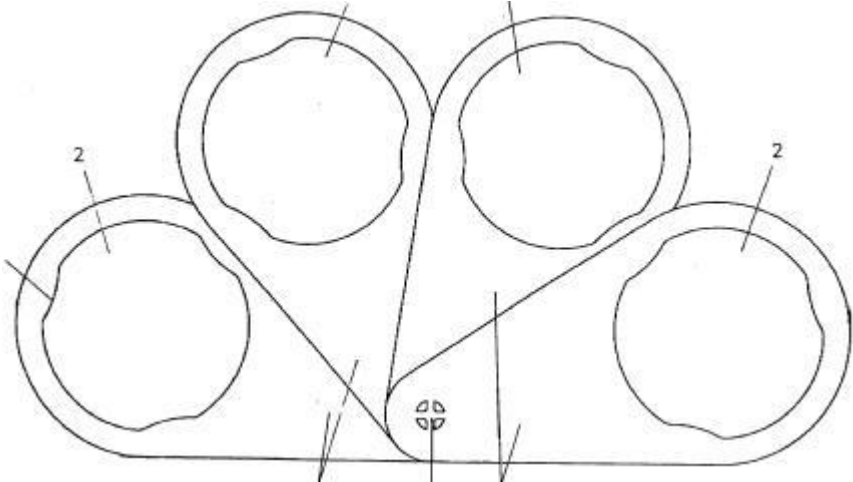
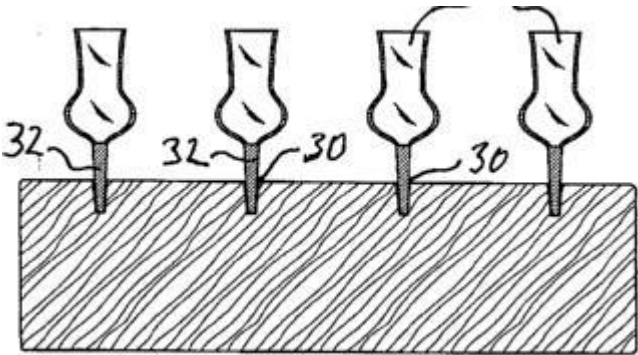
{for drinking-glasses, plastic cups, or the like}

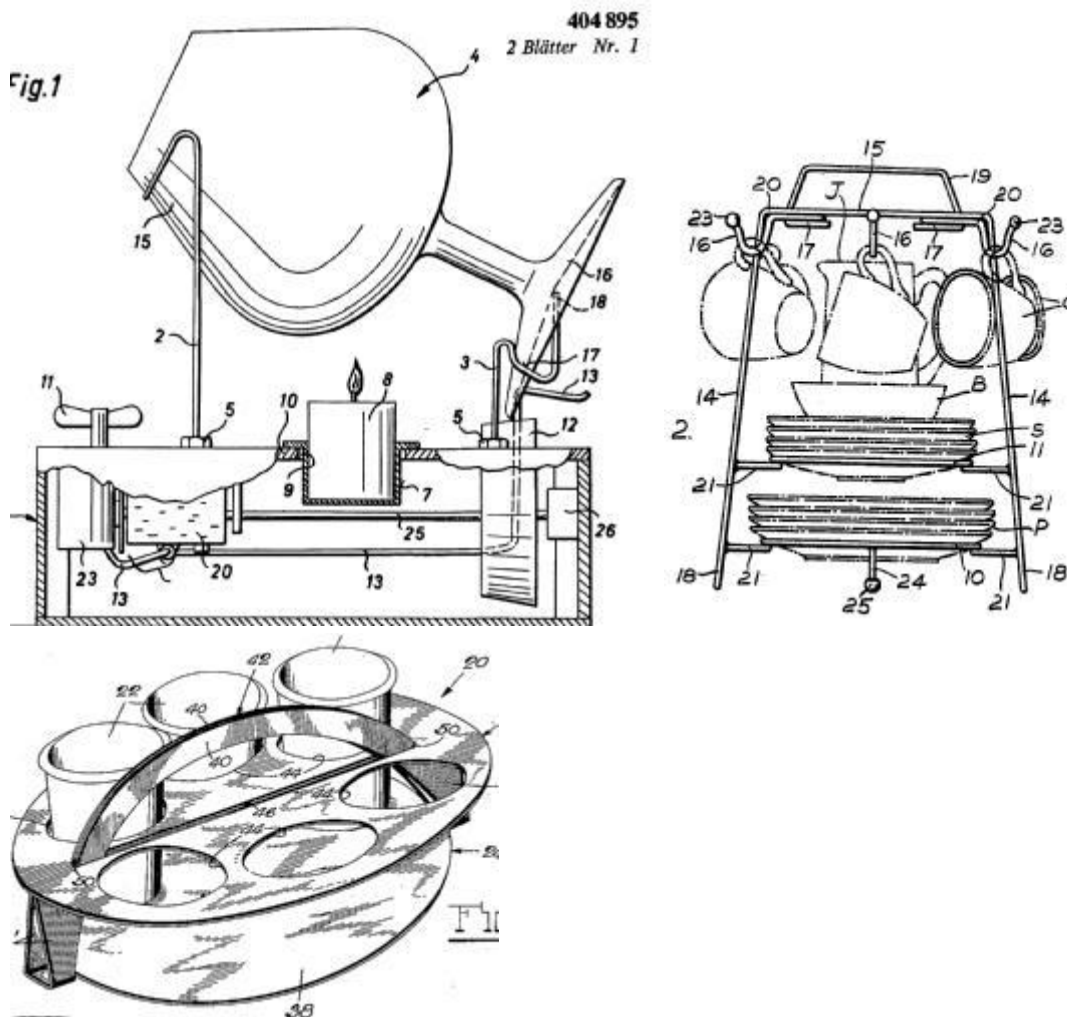
### Definition statement

*This place covers:*

- Holders or carrying devices for more than one glass/cup
- Devices for storage of glasses in bars
- Storage devices for sets of coffee cup plus saucer
- Devices for heading glasses (for cognac, Irish coffee or the like)
- Devices for holding simultaneously a bottle and glasses







## References

### Informative references

Attention is drawn to the following places, which may be of interest for search:

Serving trays provided with a plurality of openings, e.g. for carrying glasses, bottles or the like	<a href="#">A47G 23/0641</a>
Cabinets or racks specially adapted for storing dishware	<a href="#">A47B 81/04</a>
Dispensing nested articles, e.g. cups, cones	<a href="#">A47F 1/106</a> , <a href="#">A47F 1/085</a> , <a href="#">A47F 1/065</a>
Stands, or holders for kitchen articles	<a href="#">A47J 47/16</a>

## A47G 23/0216

{for one glass or cup}

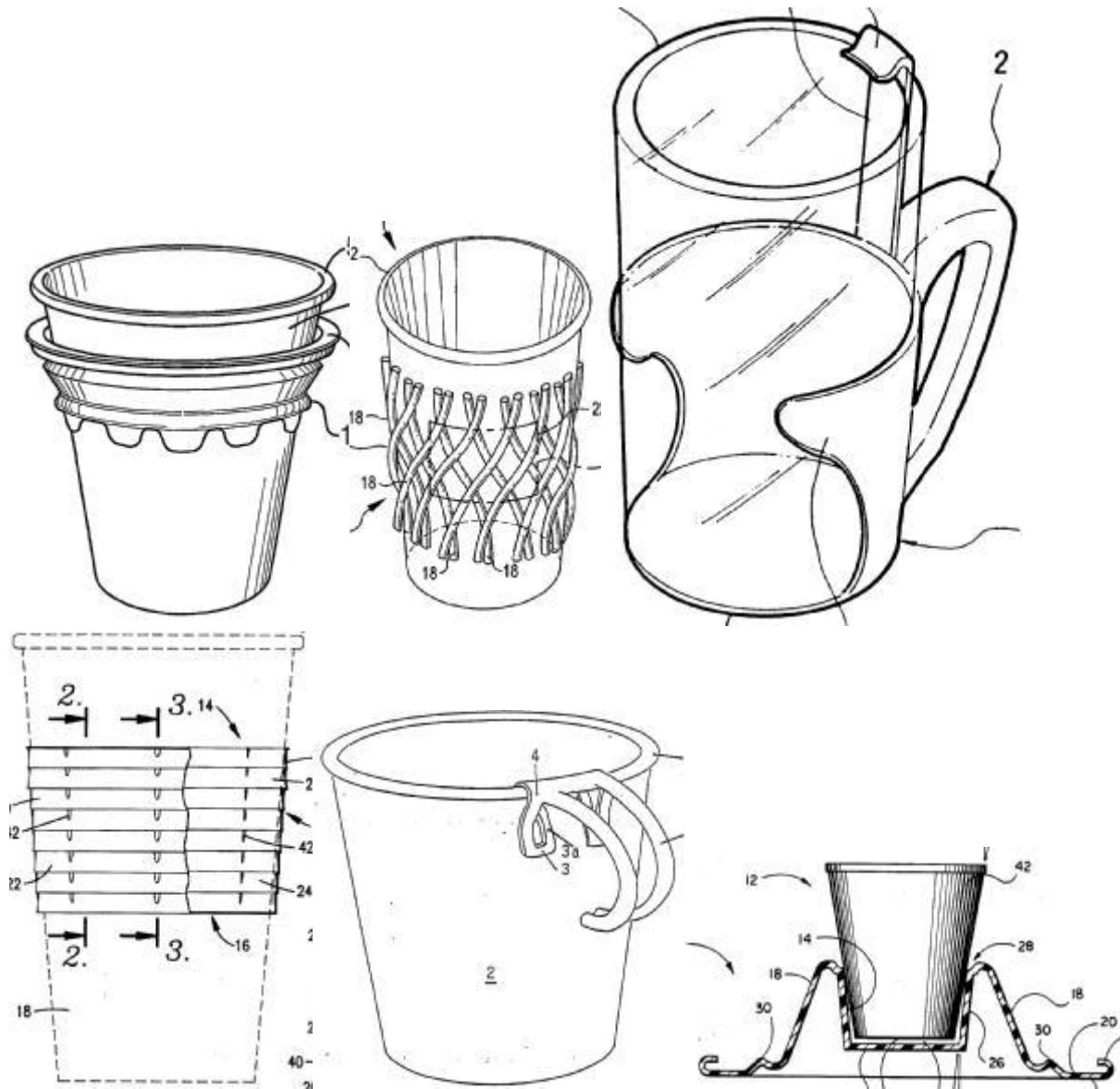
### Definition statement

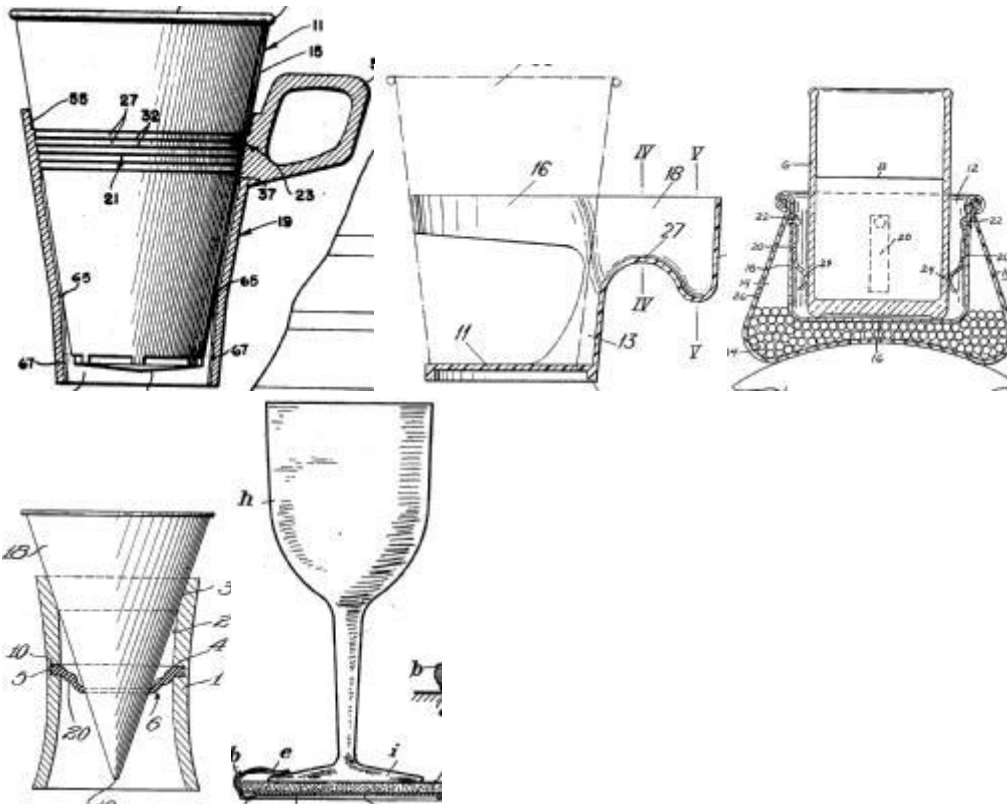
This place covers:

- Detachable stabilisers for cups or glasses
- Handles or holders for (disposable) cups or glasses
- Heat insulating hand grips (to avoid burning hands)

- Holders with additional functionality (sound, illumination, buoyancy, moisture absorbance)
- Collapsible holders
- Self-levelling holders

Illustrative example of subject matter classified in this group:





**References**

**Informative references**

Attention is drawn to the following places, which may be of interest for search:

Saucers for coffee cups	<a href="#">A47G 19/2283</a>
Underlays for glasses or drinking-vessels	<a href="#">A47G 23/03</a>
Holders for feeding-bottles	<a href="#">A61J 9/06</a>
Receptacles for food or beverages in vehicles	<a href="#">B60N 3/10</a>
Containers with thermal insulation	<a href="#">B65D 81/38</a>
Insulating sleeves	<a href="#">B65D 81/3876</a>
Other supports for positioning apparatus or articles	<a href="#">F16M 13/00</a>
Portable cooling devices using ice	<a href="#">F25D 3/08</a>

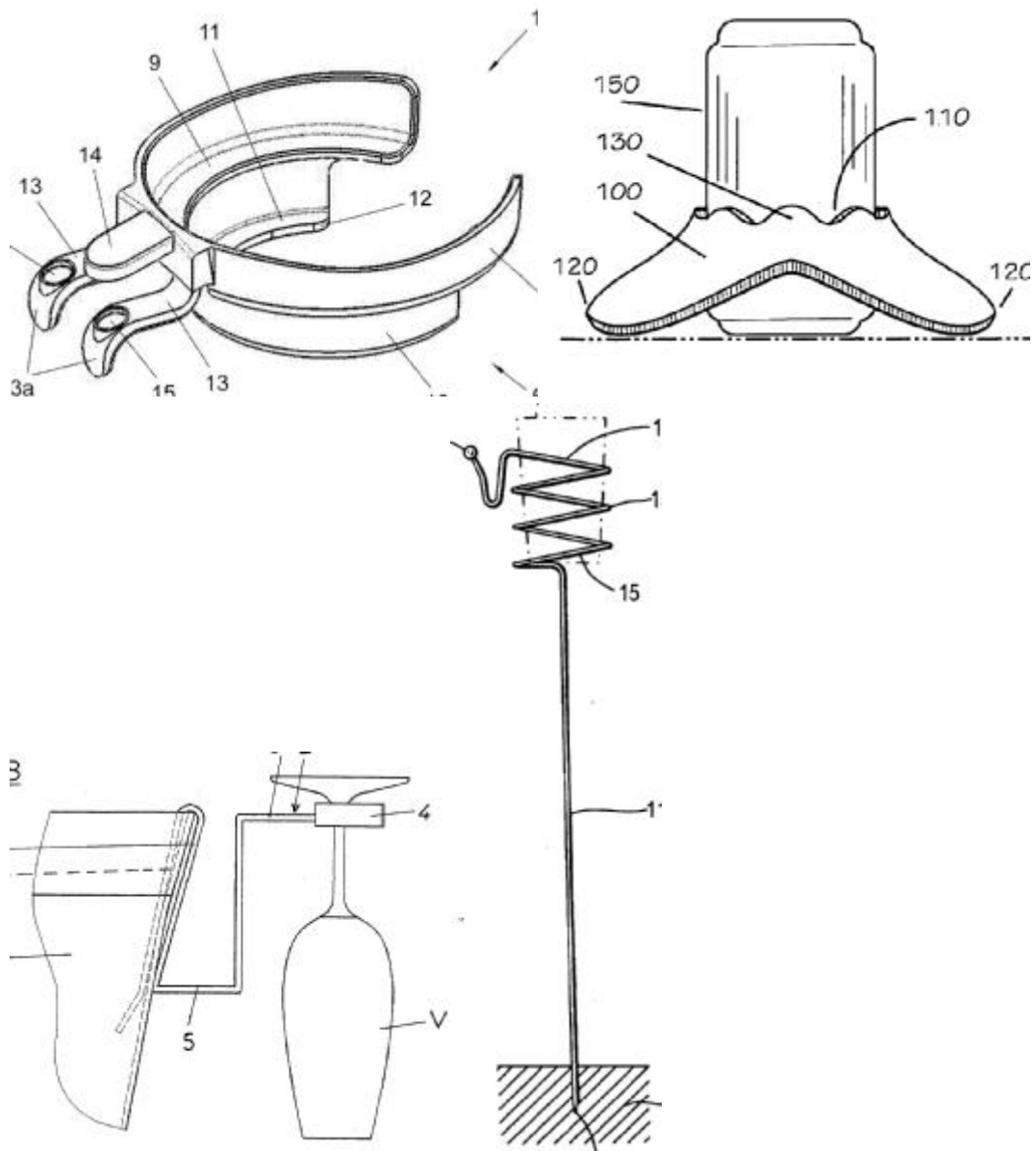
**A47G 23/0225**

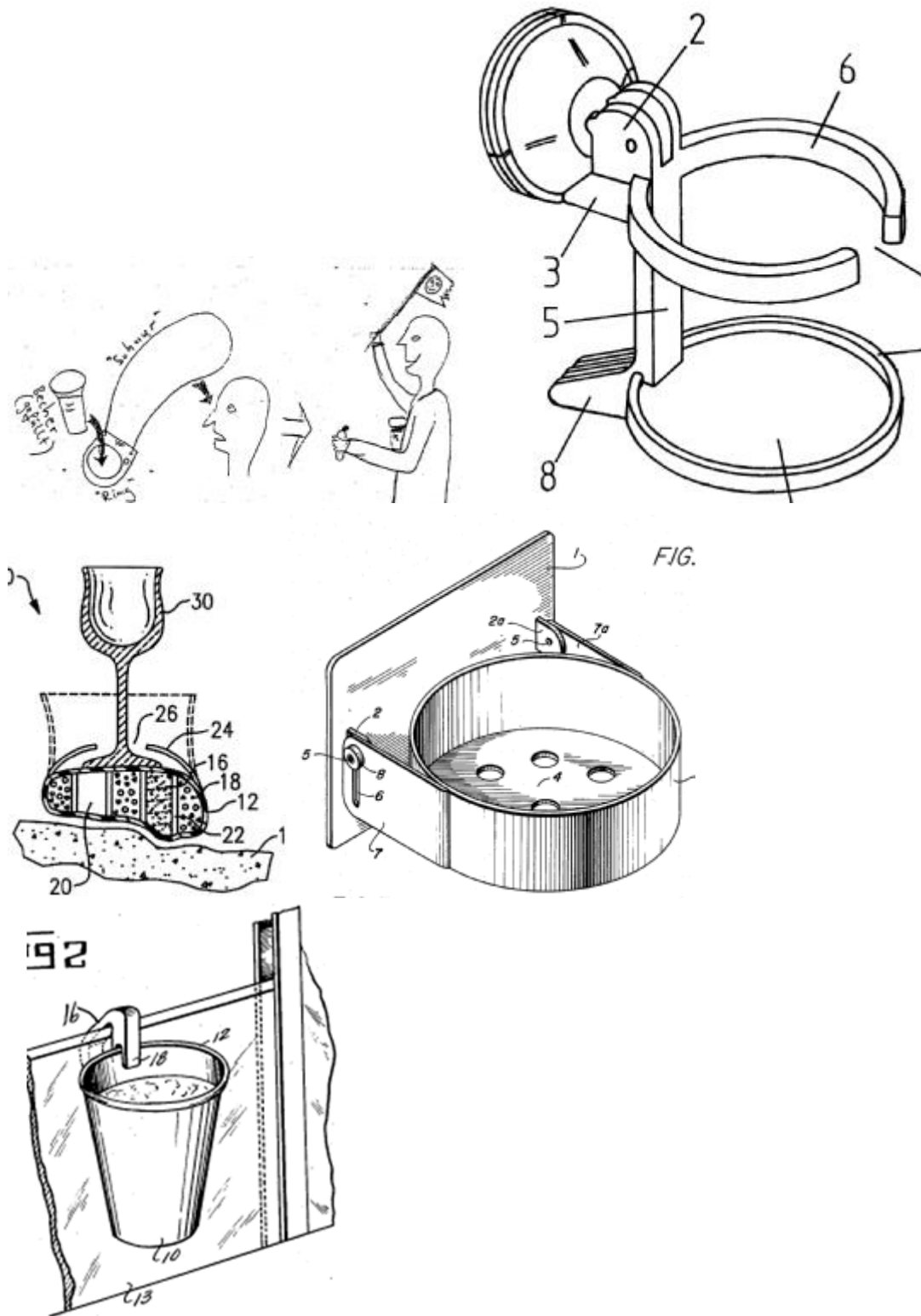
{attachable to a plate, table, or the like}

**Definition statement**

This place covers:

- Holders for one glass/cup attachable to a wall, table, plate, the ground, a person, etc (e.g. Using magnets, suction cups, bean bags, clamps, etc.)





**References**

**Informative references**

Attention is drawn to the following places, which may be of interest for search:

Plate-holders	<a href="#">A47G 19/08</a>
Article supports adapted to be stuck into the ground	<a href="#">A45F 3/44</a>

## Informative references

Holders or carriers for use while travelling or camping	<a href="#">A45F 5/00</a>
Holders for glasses, ashtrays, lamps, candles or the like forming part of tables	<a href="#">A47B 13/16</a>
Parts, details, or accessories of chairs or stools	<a href="#">A47C 7/00</a>
Holders for drinking glasses, tooth brushes, hair brushes, or the like	<a href="#">A47K 1/09</a>
Holders for feeding-bottles	<a href="#">A61J 9/06</a>
Receptacles for food or beverages in vehicles	<a href="#">B60N 3/10</a>
Supporting devices for attaching articles of definite shape to cycles, e.g. for maps, umbrellas, bottles	<a href="#">B62J 11/00</a>
Other supports for positioning apparatus or articles	<a href="#">F16M 13/00</a>

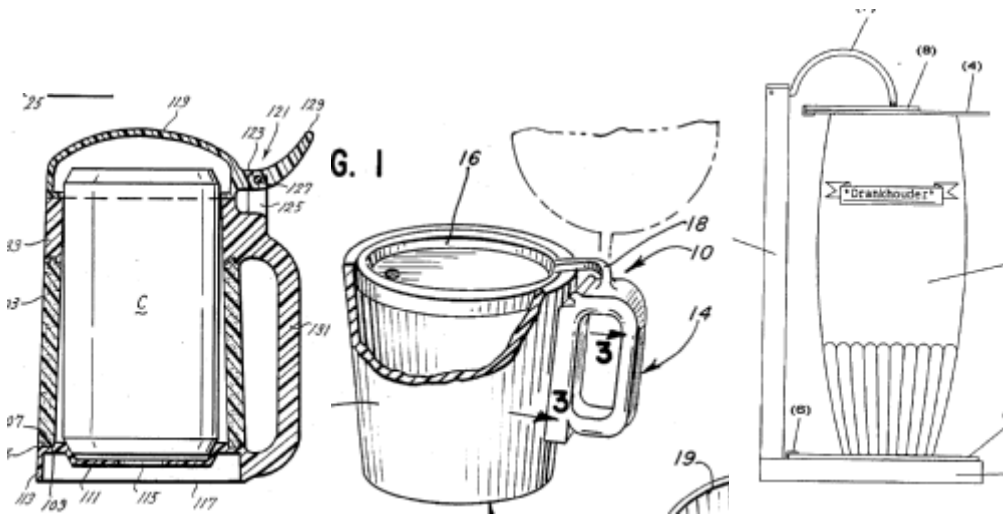
**A47G 23/0233**

{with a lid, e.g. for a beer glass (lids attachable to beer glasses [A47G 19/2205](#))}

**Definition statement**

*This place covers:*

- Holders for one glass/cup with a lid attached to the holder

**References****Informative references**

*Attention is drawn to the following places, which may be of interest for search:*

Lids attachable to beer glasses	<a href="#">A47G 19/2205</a>
Hinged, loosely-engaging lids or covers for jars, cans, or like containers for liquids without means for effecting sealing of container	<a href="#">B65D 51/04</a>
Container holder with lid for closing container	220/740 (UC)

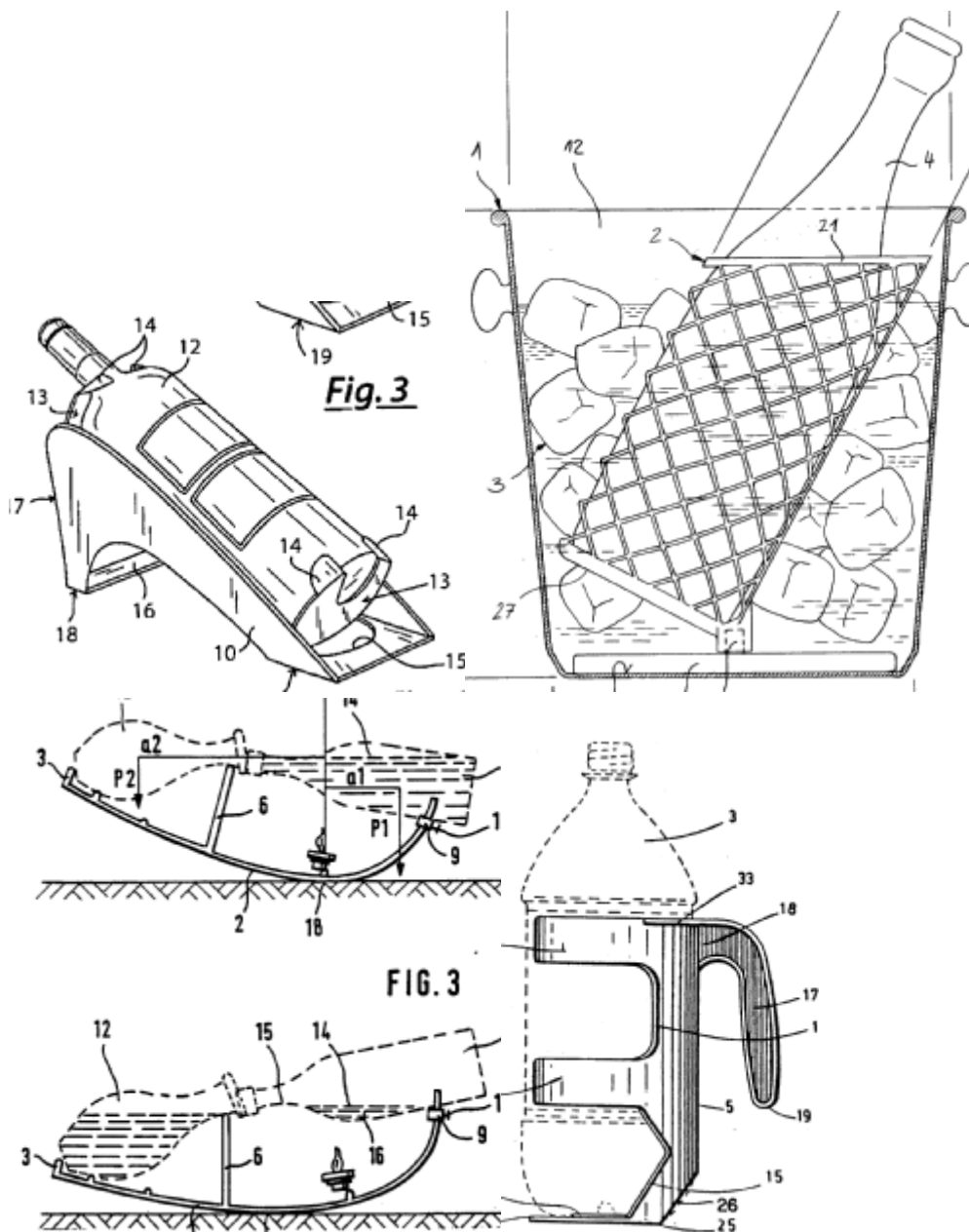
## A47G 23/0241

{for bottles; Decanters}

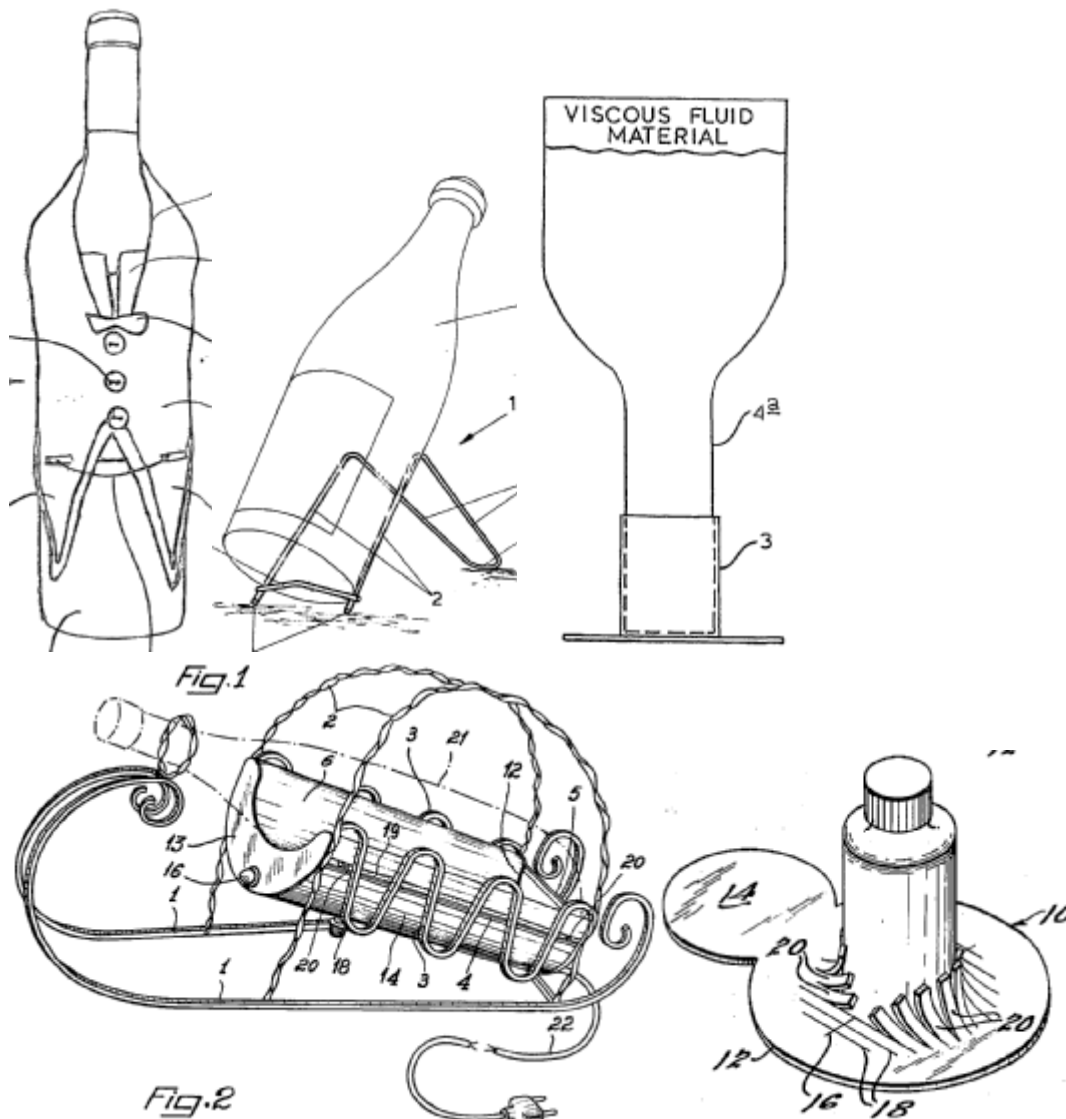
### Definition statement

This place covers:

- Holders for bottles in inverted position
- Holders for bottles cantilevered by the neck
- Holders for decanting wine
- Champagne/wine chilling buckets
- Handles removably attached to bottles
- Bottle stabilisers
- Bottle scarfs







## References

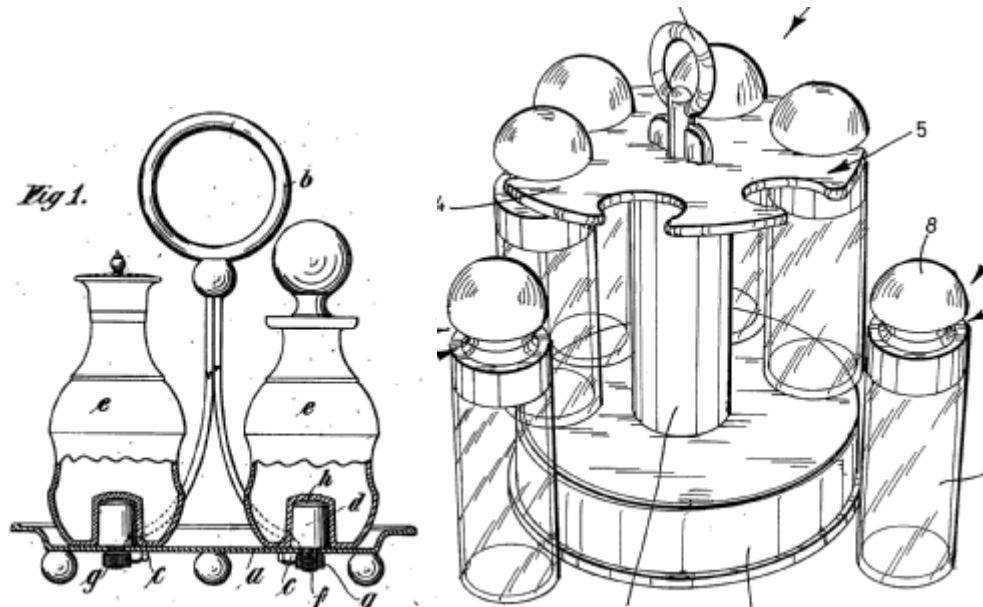
### Informative references

Attention is drawn to the following places, which may be of interest for search:

Bottle cupboards; Bottle racks	<a href="#">A47B 73/00</a>
Show stands, hangers, or shelves for containers, e.g. flasks, bottles	<a href="#">A47F 7/28</a>
Holders for feeding-bottles	<a href="#">A61J 9/06</a>
Supporting means fixed to bottles	<a href="#">B65D 23/001</a>
Separate handles for bottles	<a href="#">B65D 23/104</a>
Devices for emptying bottles	<a href="#">B67C 9/00</a>
Dispensing apparatus with holders for bottles or similar containers	<a href="#">B67D 3/0029</a>

**A47G 23/025****{Oil/vinegar table sets}****Definition statement***This place covers:*

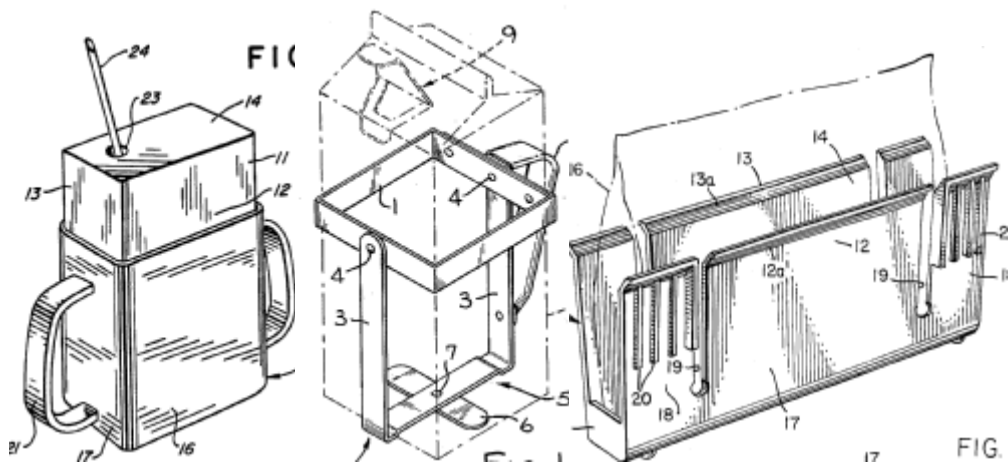
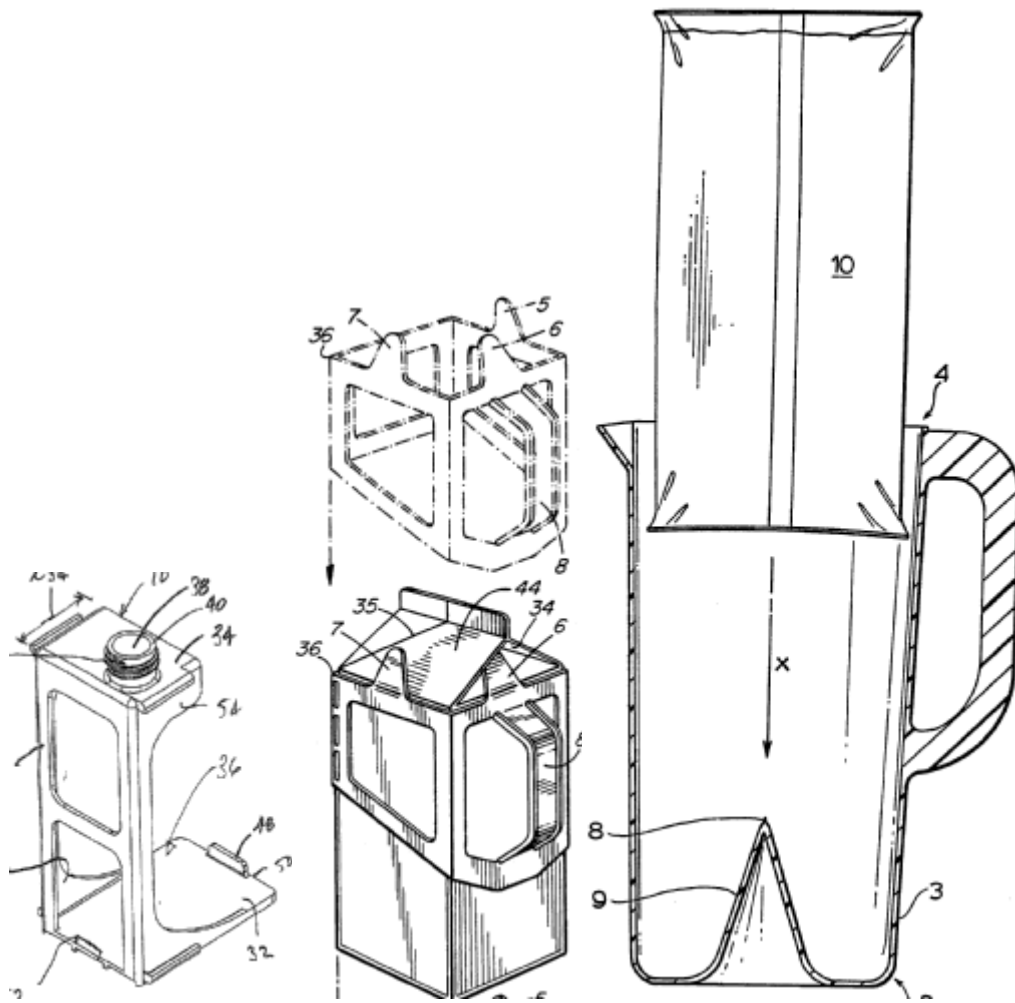
- Table stands for small bottles (liquid condiments like oil & vinegar)

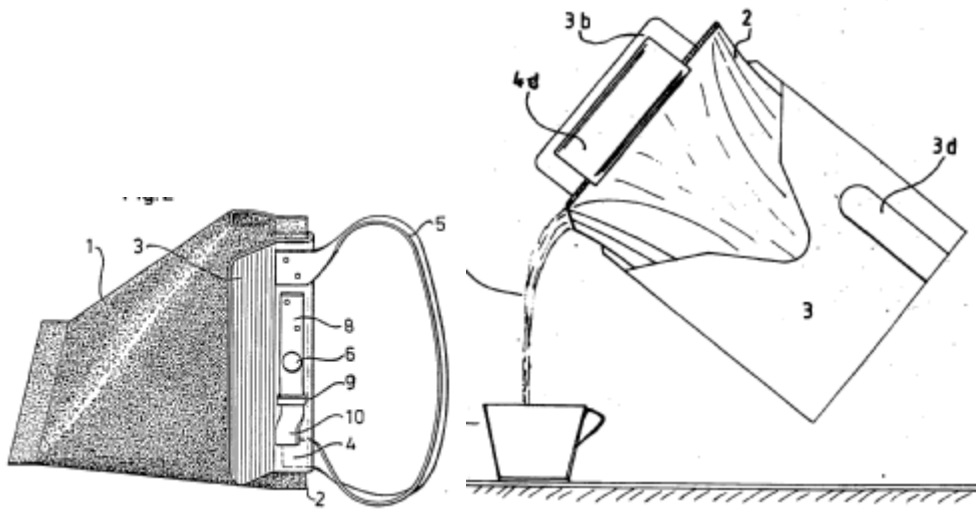
**References****Informative references***Attention is drawn to the following places, which may be of interest for search:*

Rotary food-serving devices for tables	<a href="#">A47G 23/08</a>
Revolving cabinets or racks	<a href="#">A47B 49/00</a>
Closed containers for foodstuffs	<a href="#">A47J 47/02</a>
Supports for bottles or jars	211/74 (UC)

**A47G 23/0258****{for cartons or plastic bags}****Definition statement***This place covers:*

- Holders or handles for flexible containers (drinks cartons, plastic pouches) for table use





## References

### Informative references

Attention is drawn to the following places, which may be of interest for search:

Handles for carrying purposes	<a href="#">A45F 5/10</a>
Handles for hollow-ware articles	<a href="#">A47J 45/06</a>
Separate handles for containers of polygonal cross-section, e.g. boxes, cartons, formed by folding or erecting one or more blanks made of paper	<a href="#">B65D 5/46008</a>
Handles for bottles or jars	<a href="#">B65D 23/10</a>
External rigid or semi-rigid supports for materials enclosed in sheets, blanks or tubes of flexible sheet material	<a href="#">B65D 75/525</a>
Liquids or semi-liquids enclosed in flexible containers disposed within rigid containers	<a href="#">B65D 77/06</a>
Hole-piercing devices associated with receptacle holders	<a href="#">B67B 7/28</a>

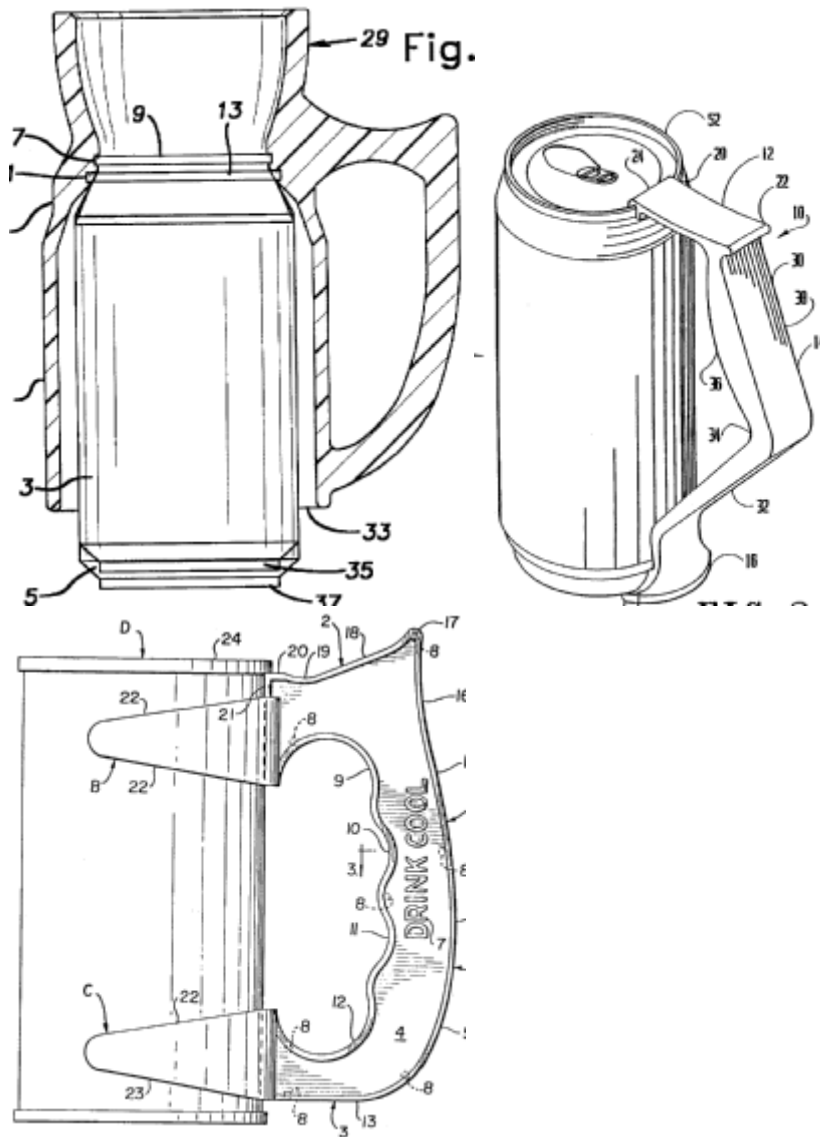
## A47G 23/0266

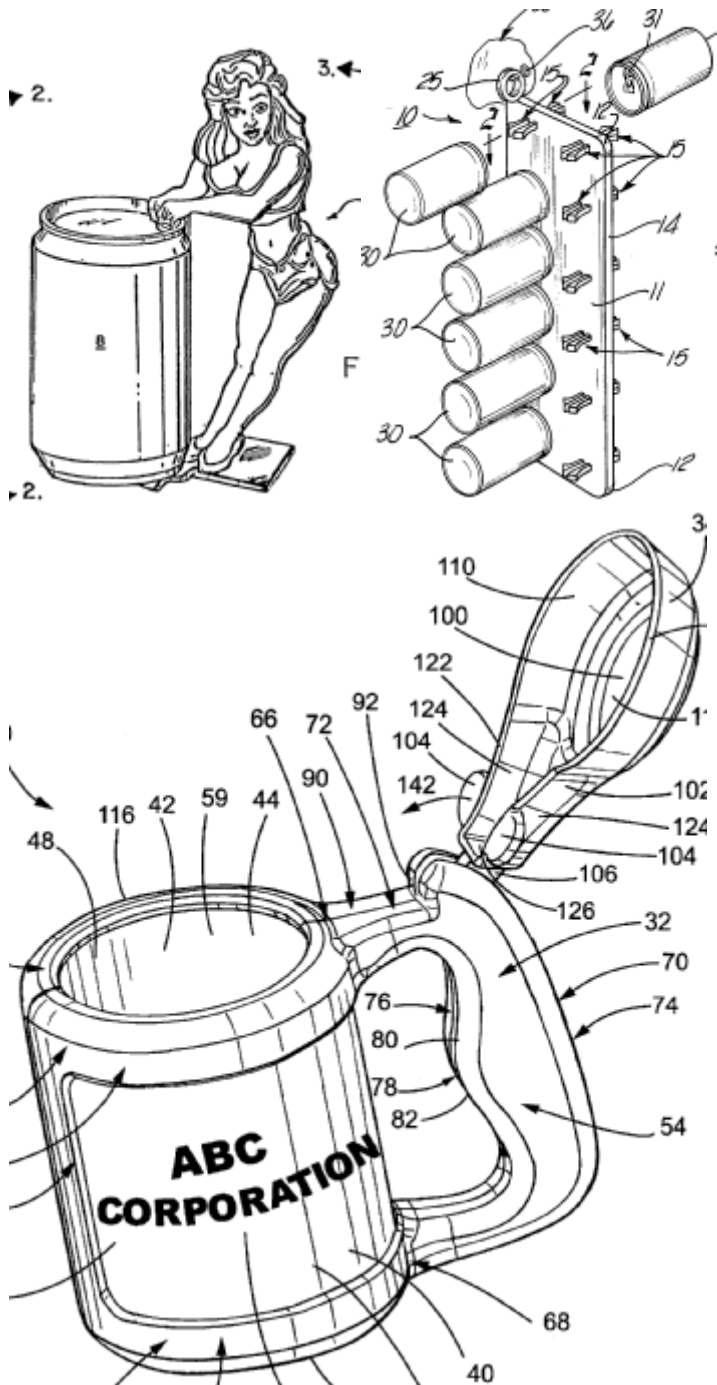
{for cans}

### Definition statement

This place covers:

- Holders or clip-on handles for beverage cans
- Holders for collecting a plurality of empty beverage cans





**References**

**Informative references**

Attention is drawn to the following places, which may be of interest for search:

Holders or carriers for hand articles	<a href="#">A45F 5/00</a>
Detachable (separate) handles for hollow-ware articles	<a href="#">A47J 45/07</a>
Separate pot handles	<a href="#">A47J 45/10</a>
Holders for paint cans	<a href="#">B44D 3/14</a>
Handles for bottles or jars not otherwise provided for formed separately	<a href="#">B65D 23/104</a>
Insulating sleeves or jackets for cans, bottles, barrels, etc	<a href="#">B65D 81/3876</a>

Hole-piercing devices for opening closed containers and associated with receptacle holders	<a href="#">B67B 7/28</a>
--	---------------------------

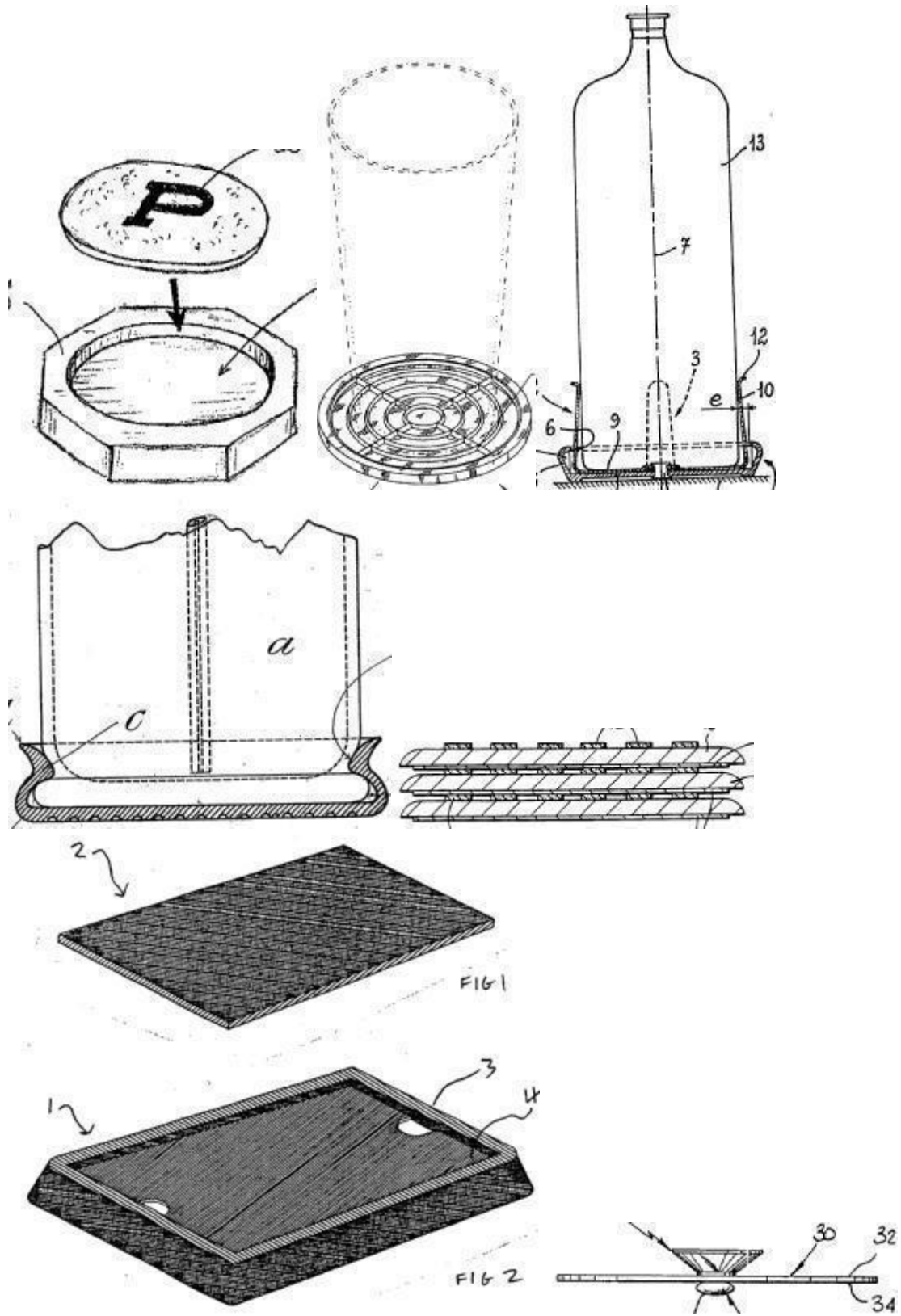
## **A47G 23/03**

### **Underlays for glasses or drinking-vessels**

#### **Definition statement**

*This place covers:*

- Coaster with absorbent insert for drinking vessel or bottle
- Coasters with means (suction cups, magnets, clamps, etc.) for fixing to a drinking coaster
- Coasters also able to serve as lid
- Coasters with anti-slip means
- Reusable cake discs (doilies)
- Drip trays (supporting drinks on a bar counter)





## References

### Informative references

Attention is drawn to the following places, which may be of interest for search:

Table-cloths	<a href="#">A47G 11/003</a> , <a href="#">A47G 23/02</a>
Cooking pot rests	<a href="#">A47G 19/08</a>
Carpets; Bedside rugs; Foot mats to protect the underlying surface	<a href="#">A47G 27/0206</a>
Layered products	<a href="#">B32B</a>
Treatment of fibres, threads, yarns, fabrics, feathers, or fibrous goods made from such materials	<a href="#">D06M</a>
Advertising on articles for restaurants	<a href="#">G09F 23/06</a>
Absorbent inserts for cup and saucer combinations	
Coaster or sheath	D7/624.1 (UC)
Coaster or coaster cup	248/346.11 (UC)
Drip-catching container base support	215/393 (UC)
Flat-bottomed holders and mats (e.g., coasters)	3B115/BB11 (FT)

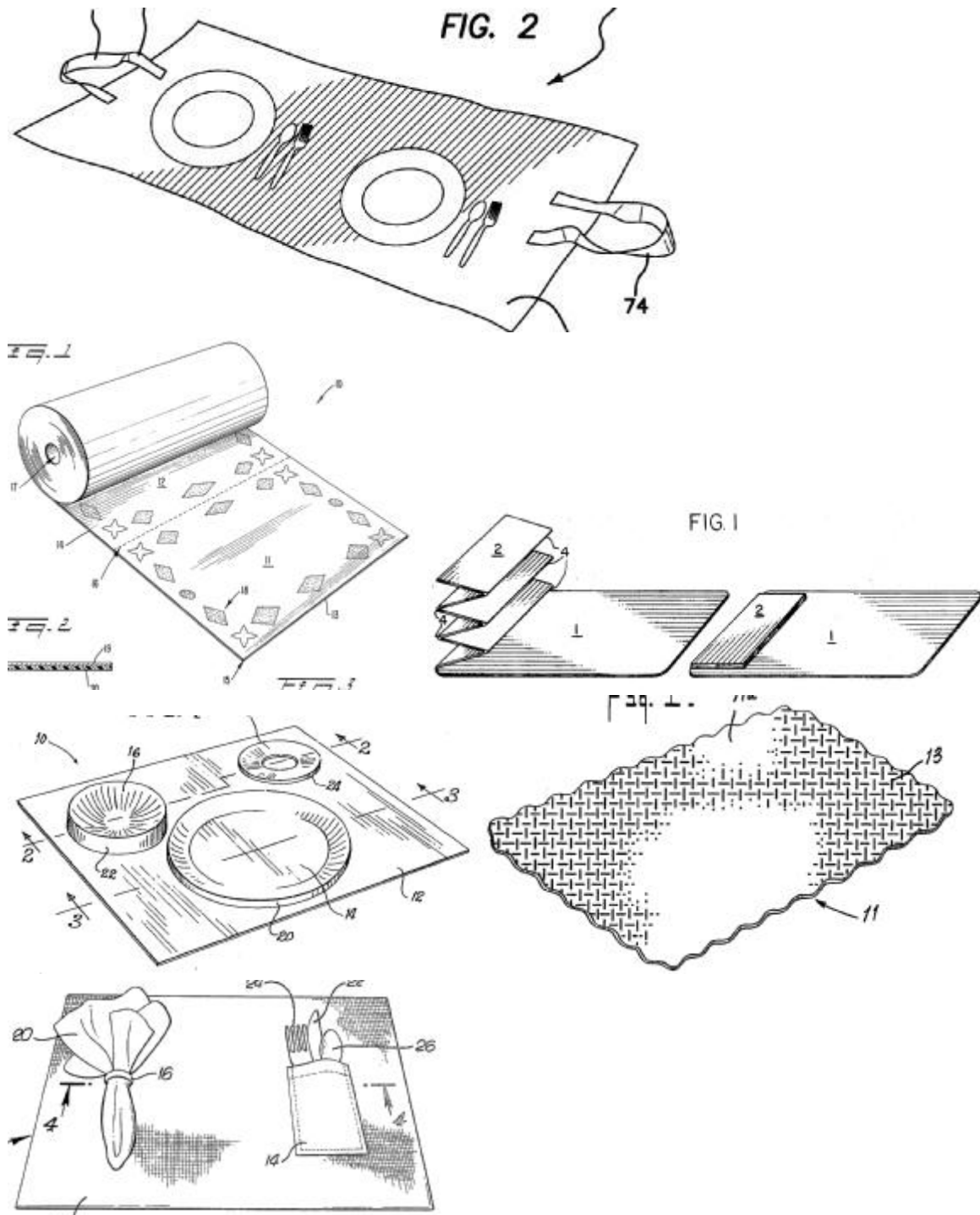
## A47G 23/0303

{Table mats ([A47G 23/0306](#) takes precedence)}

### Definition statement

*This place covers:*

- Place mats for protecting a table surface from spillings
- Place mats convertible into or combined with other articles (trash bag, lunch box, napkin, etc.)



## References

### Informative references

Attention is drawn to the following places, which may be of interest for search:

Table-cloths	<a href="#">A47G 11/003</a>
Carpets; Bedside rugs; Foot mats to protect the underlying surface	<a href="#">A47G 27/0206</a>
Layered products	<a href="#">B32B</a>
Processes for producing special ornamental bodies	<a href="#">B44C 5/00</a>

Treatment of fibres, threads, yarns, fabrics, feathers, or fibrous goods made from such materials	<a href="#">D06M</a>
Advertising on articles for restaurants	<a href="#">G09F 23/06</a>
Flat-bottomed holders and mats (e.g., coasters)	3B115/BB11 (FT)

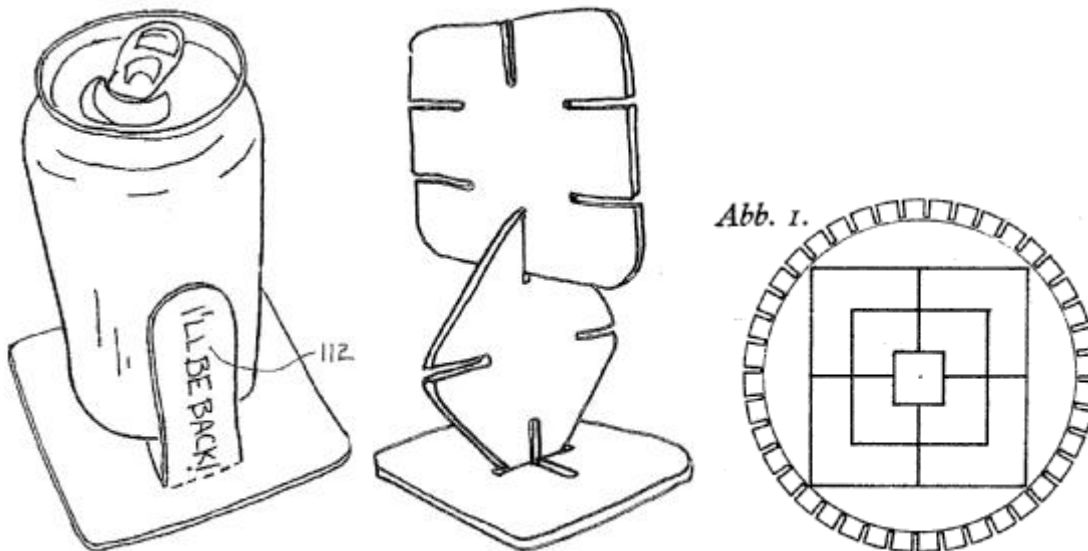
## A47G 23/0306

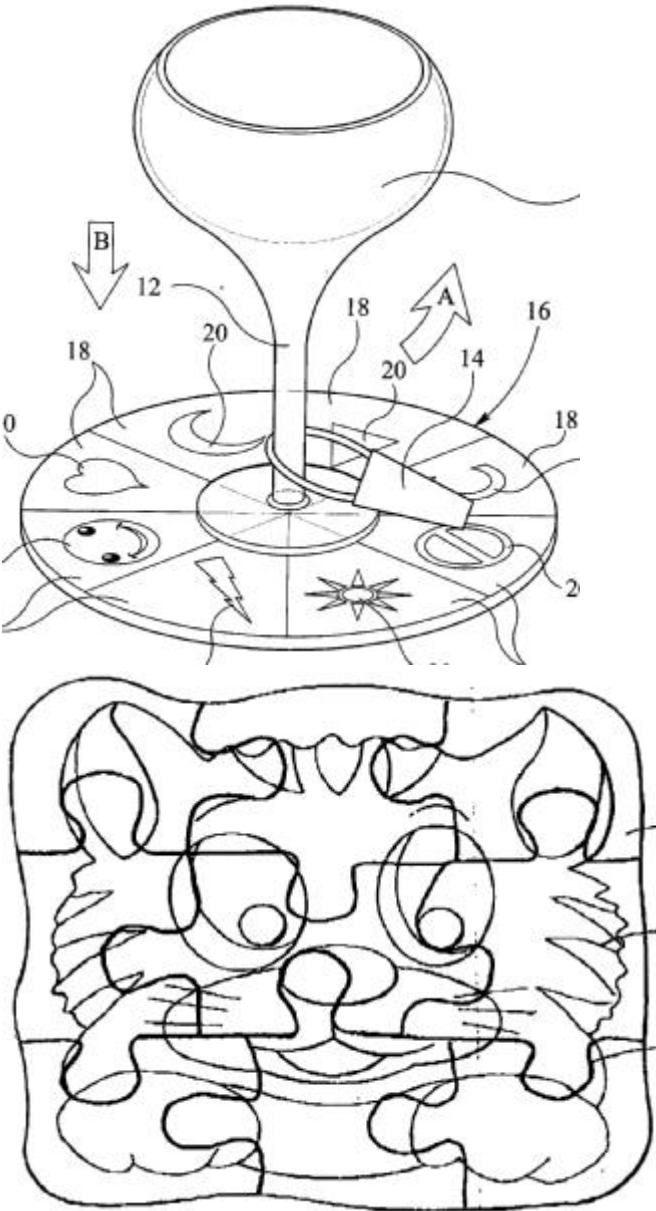
{with means for amusing or giving information to the user ([A47G 23/14](#) takes precedence)}

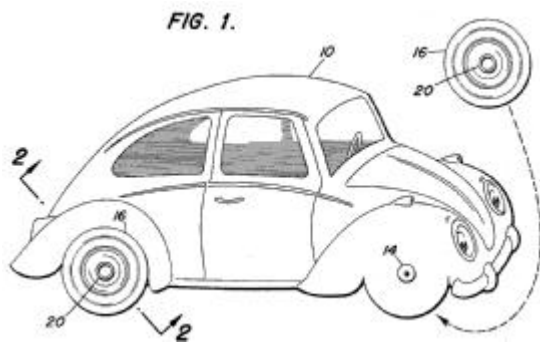
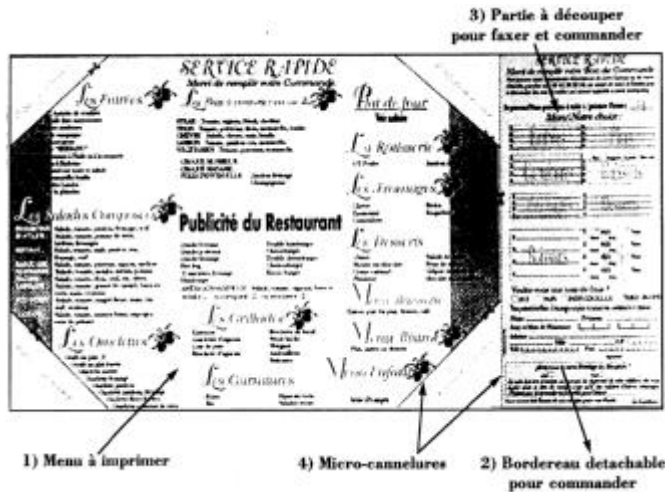
### Definition statement

*This place covers:*

- Coasters or place mats
- displaying dietary information
- providing sound, illumination or images
- with toy or game elements
- displaying advertisements or menu details







**References**

**Informative references**

Attention is drawn to the following places, which may be of interest for search:

Plates, dishes or the like with means for amusing or giving information to the user	<a href="#">A47G 19/025</a>
Drinking vessels with means for amusing or giving information to the user	<a href="#">A47G 19/2227</a>
Consumption counters combined with underlays, e.g. for glasses	<a href="#">A47G 23/14</a>
Games not otherwise provided for	<a href="#">A63F 9/00</a>
Printed matter of special format or style not otherwise provided for	<a href="#">B42D 15/00</a>
Weighing apparatus	<a href="#">G01G 19/00</a> , <a href="#">G01G 21/00</a>
Advertising on articles for restaurants	<a href="#">G09F 23/06</a>
Flat-bottomed holders and mats (e.g., coasters)	3B115/BB11 (FT)

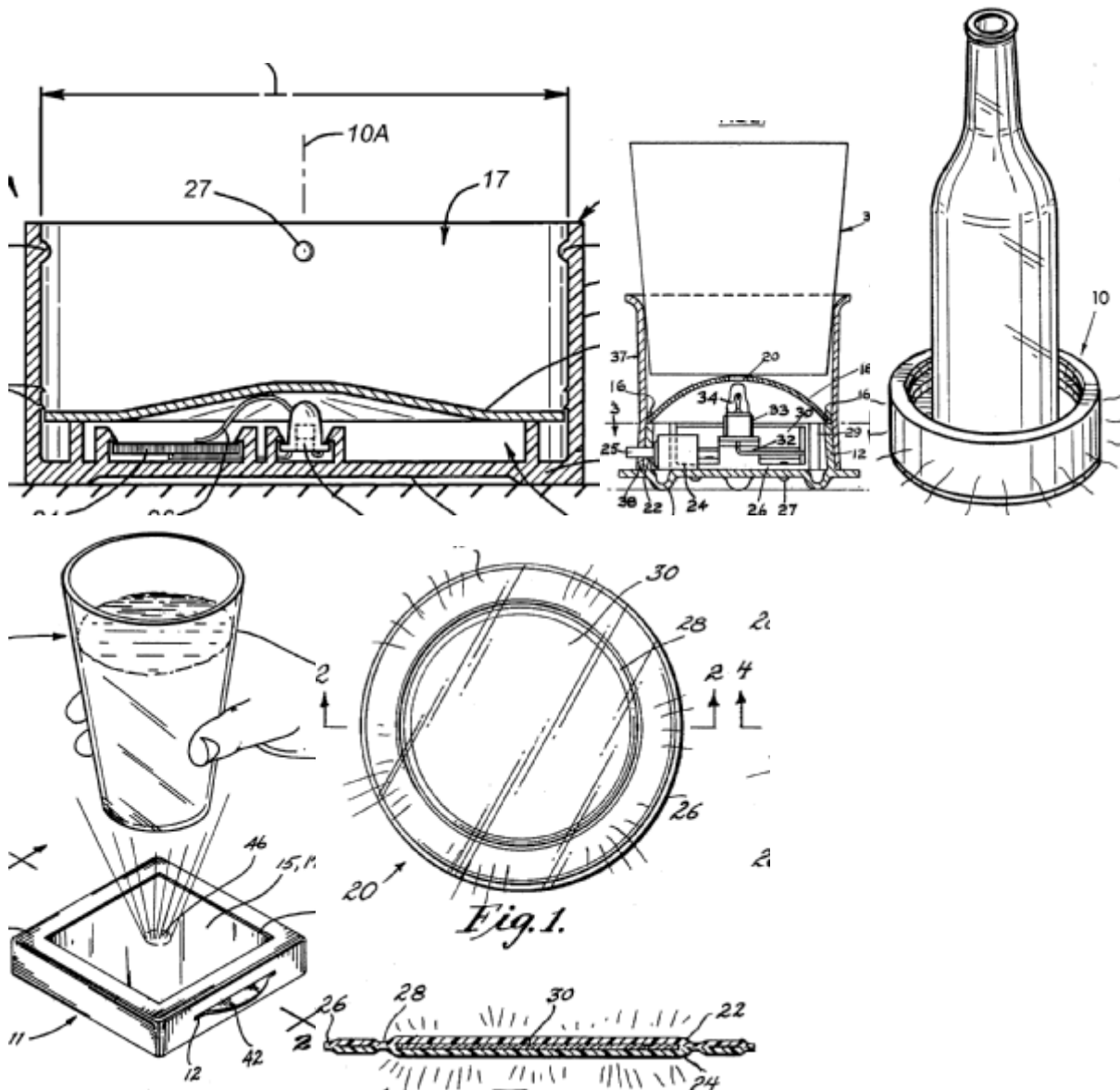
**A47G 23/0309**

{Illuminated}

**Definition statement**

This place covers:

- Coasters or place mats incorporating illumination (electroluminescence, chemiluminescence, etc.)



**References**

**Informative references**

Attention is drawn to the following places, which may be of interest for search:

Drinking glasses or vessels with illumination means	<a href="#">A47G 2019/2238</a>
Light sources using chemiluminescence	<a href="#">F21K 2/06</a> (lighting in general <a href="#">F21</a> )

**A47G 23/0313**

{with means for keeping food cool or hot}

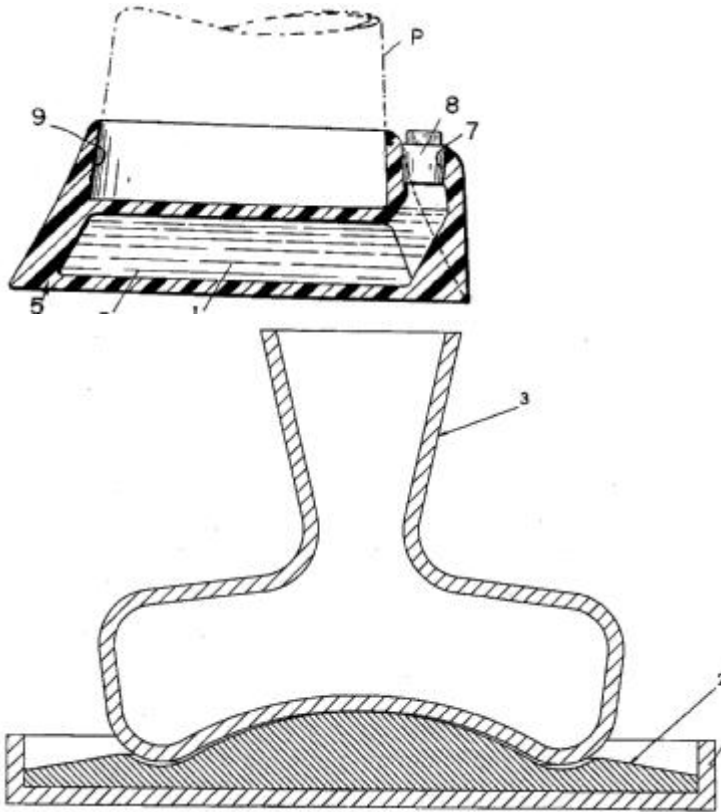
**Definition statement**

This place covers:

Underlays

- having cooling/heating elements (phase changing elements, liquids, etc) incorporated

- with active heating or cooling



## References

### Informative references

Attention is drawn to the following places, which may be of interest for search:

Warming devices	<a href="#">A47J 36/24</a>
Supports for cooking vessels	<a href="#">A47J 36/34</a>
Ohmic-resistance heating	<a href="#">H05B 3/00</a>

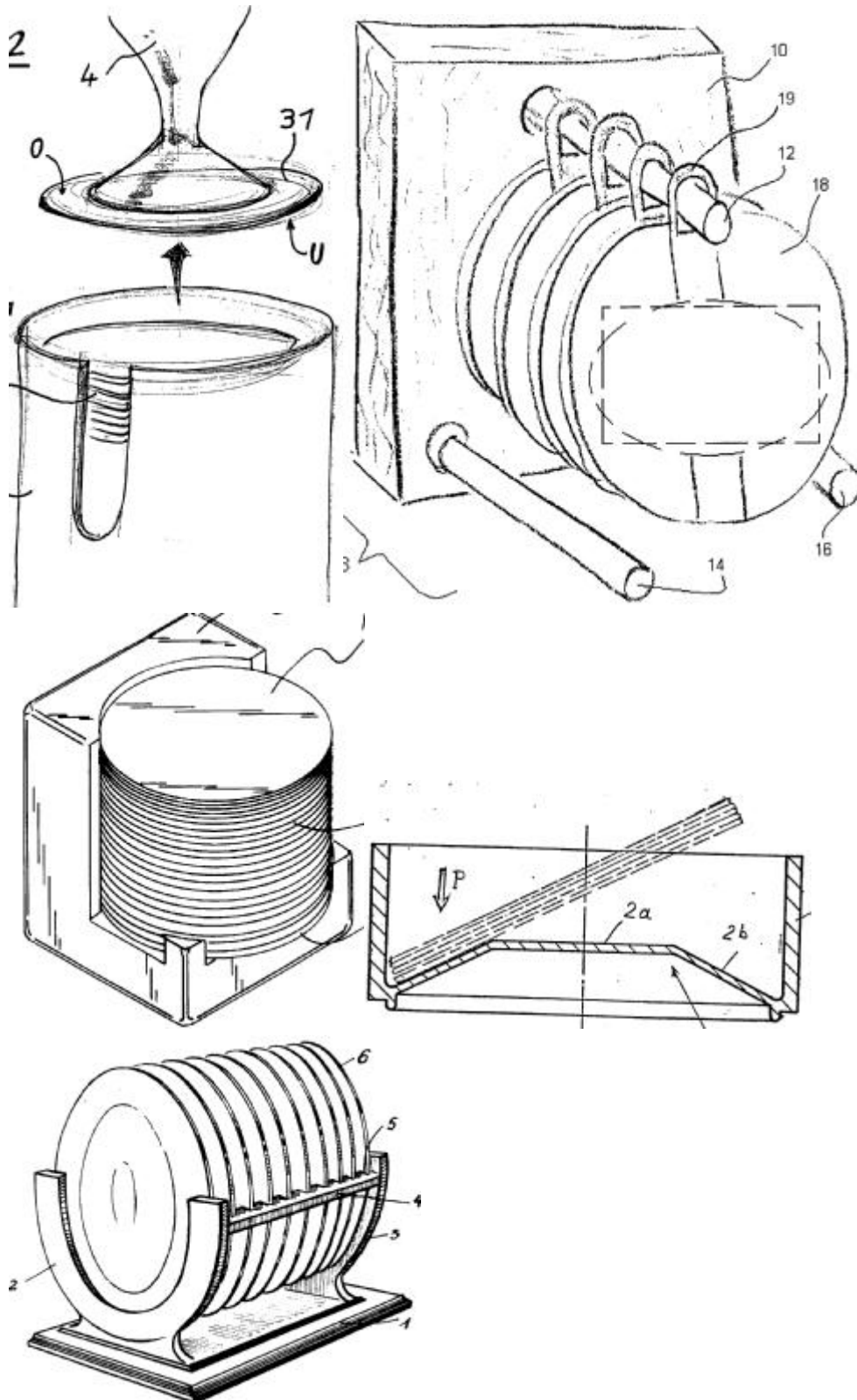
## A47G 23/0316

{supports therefor}

### Definition statement

This place covers:

- Various supports and dispensers for beer mats



**References**

**Informative references**

Attention is drawn to the following places, which may be of interest for search:

Racks for dispensing merchandise	<a href="#">A47F 1/00</a>
----------------------------------	---------------------------



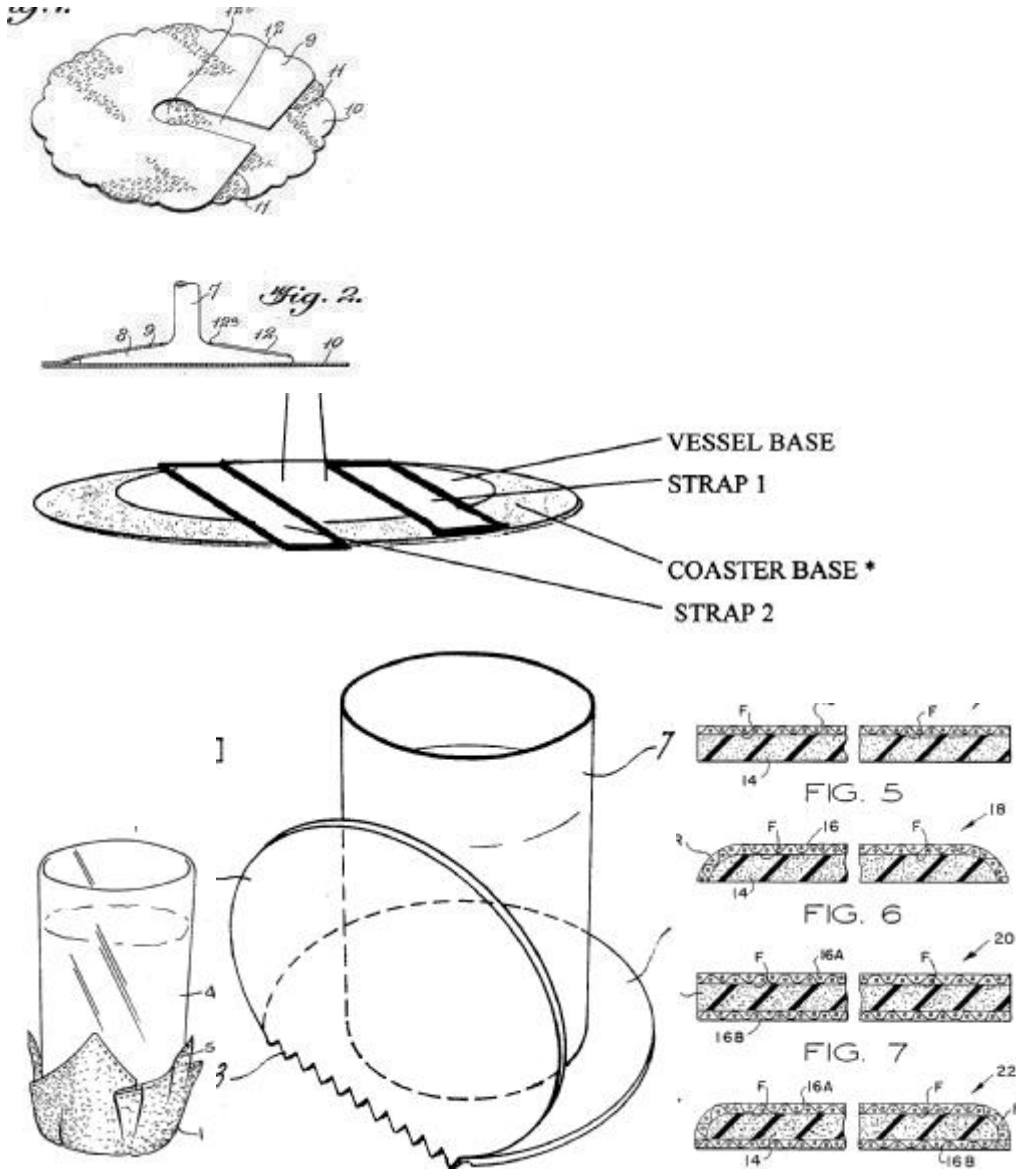
## A47G 23/032

made of paper, board, or the like, e.g. beer mats

### Definition statement

This place covers:

- Beer mats made of carton, felt or similar absorbent material
- Moisture-absorbent coasters fitting around the foot of a stemmed glass



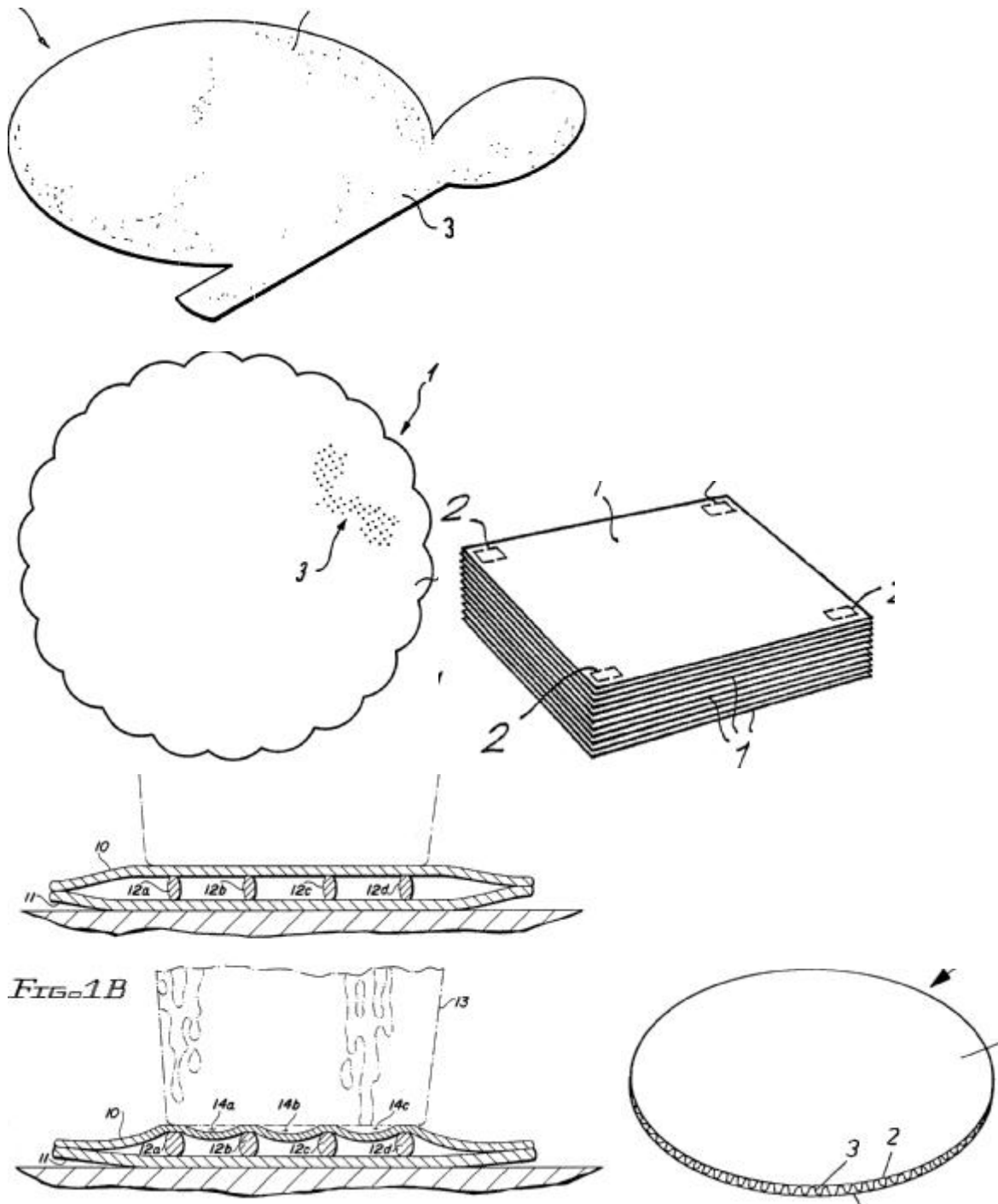


FIG. 1B

**References**

**Informative references**

Attention is drawn to the following places, which may be of interest for search:

Layered products <a href="#">B32B</a> Table-cloths	<a href="#">A47G 11/003</a>
Multiple-step processes for making saucer or beerglass pads	<a href="#">B31D 1/0068</a>
Advertising on articles for restaurants	<a href="#">G09F 23/06</a>
Coaster or sheath	D7/624.1 (UC)
Flat-bottomed holders and mats (e.g., coasters)	3B115/BB11 (FT)

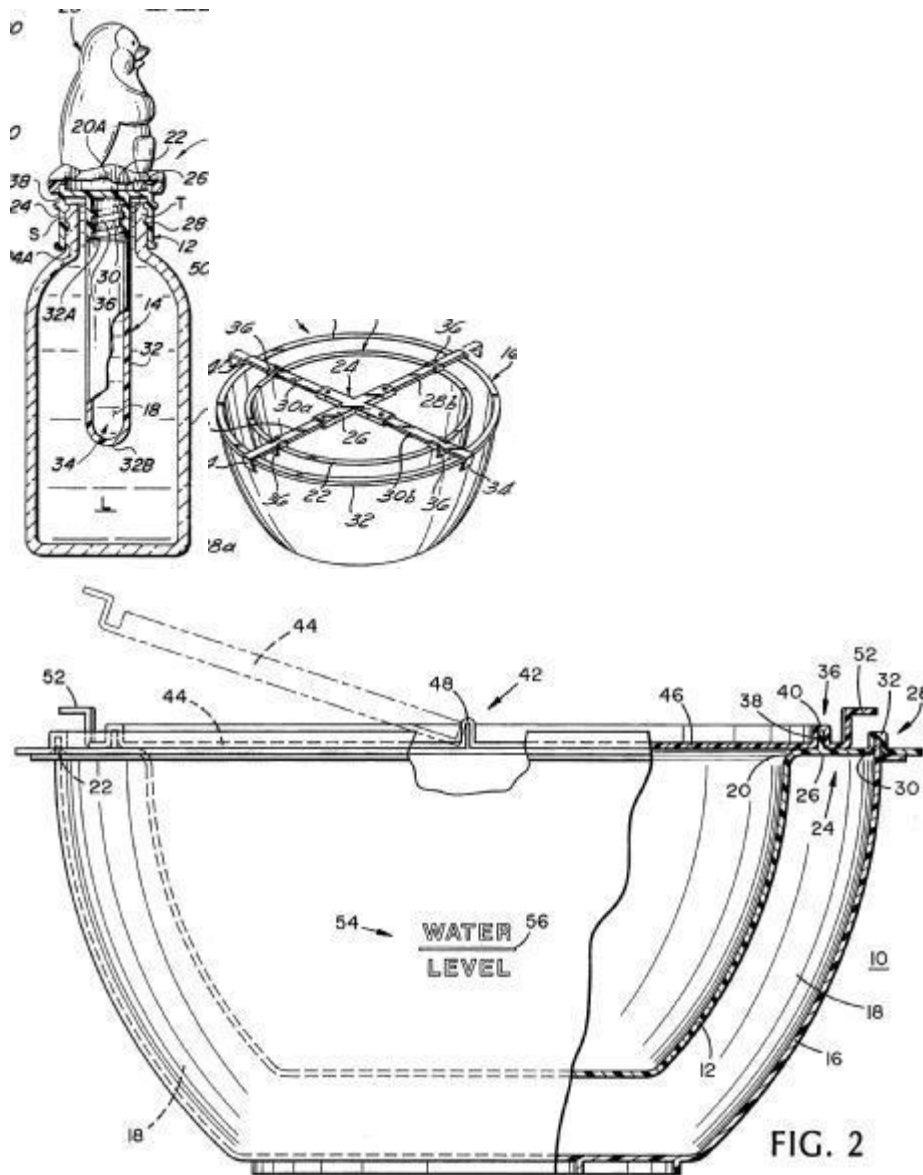
## A47G 23/04

Containers with means for keeping food cool or hot ({{[A47G 19/027](#), [A47G 19/127](#), [A47G 19/2288](#), [A47G 19/285](#), [A47G 23/0313](#) take precedence; } for butter or cheese [A47G 19/26](#) {; thermally insulated vessels [A47J 41/00](#)})

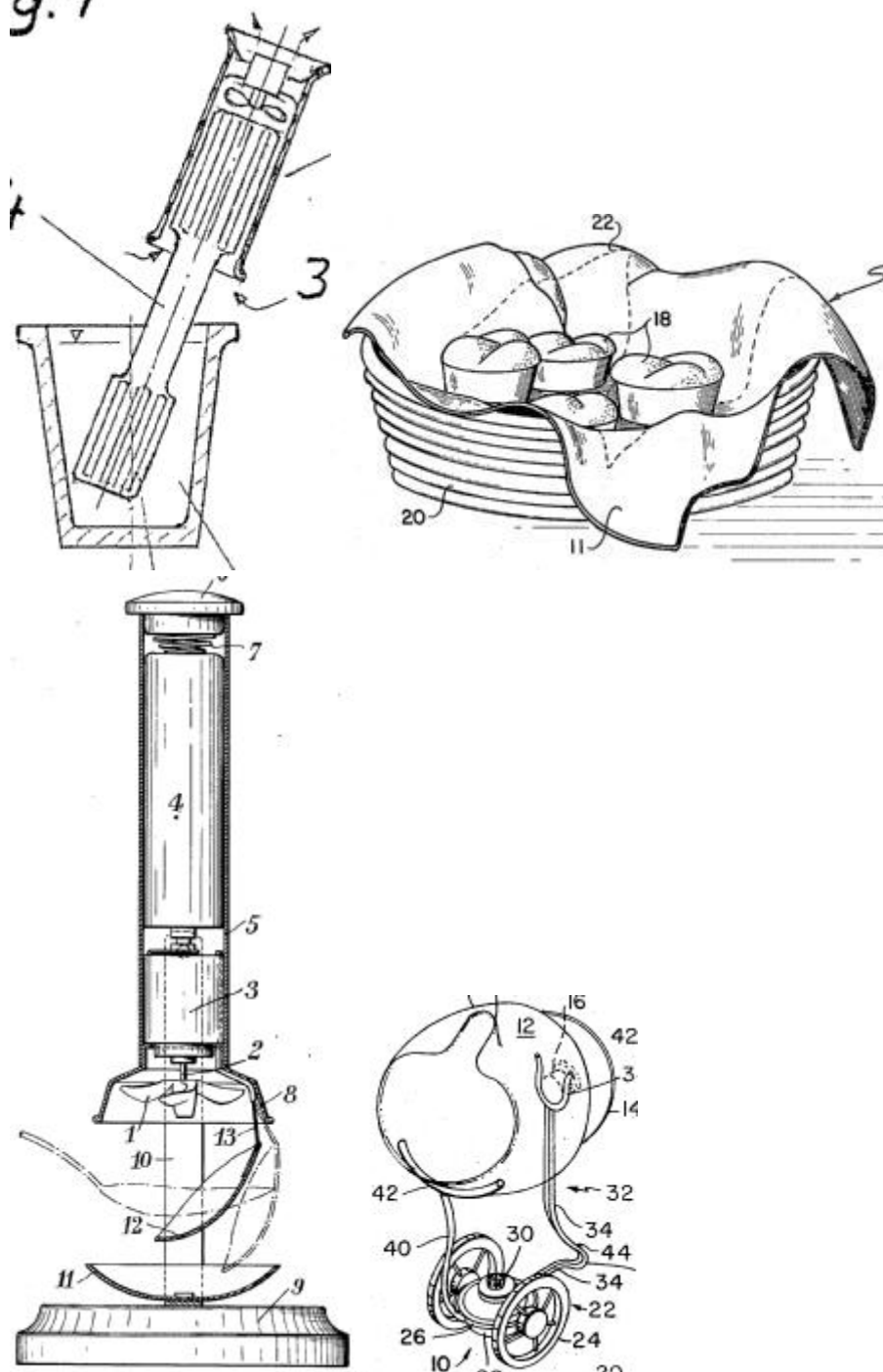
### Definition statement

This place covers:

- Devices for cooling or heating glasses (for cognac, Irish coffee or the like) or bottles
- Universal thermal insert for changing temperature of liquids in beverage containers
- Ice bowls as well as the methods/molds for making them
- Refrigerated salad bowls
- Heat retaining napkins
- Various heat insulated containers not otherwise provided for



g.7



**References**

**Informative references**

Attention is drawn to the following places, which may be of interest for search:

For butter or cheese	<a href="#">A47G 19/26</a>
Lunch or picnic boxes or the like	<a href="#">A45C 11/20</a>
Dish-warmers	<a href="#">A47J 39/02</a>
Thermally insulated vessels	<a href="#">A47J 41/00</a>
Carriers for prepared human food	<a href="#">A47J 47/14</a>

Containers with thermal insulation	<a href="#">B65D 81/38</a>
Materials releasing or absorbing heat during crystallisation	<a href="#">C09K 5/063</a>
Machines using Peltier effect	<a href="#">F25B 21/02</a>
Portable cooling devices using ice	<a href="#">F25D 3/08</a>
Heat storage apparatus in general using latent heat	<a href="#">F28D 20/02</a>
Table service with heating, cooling or heat insulation	A47G19/00&C (FI)

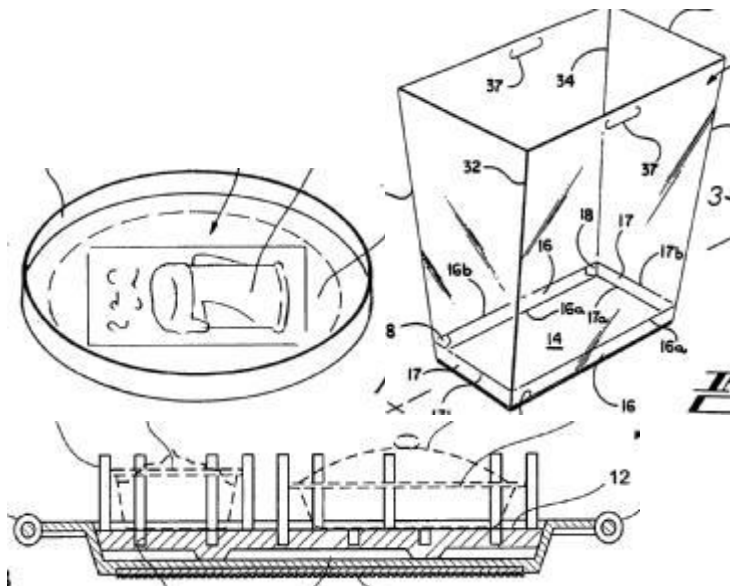
## A47G 23/06

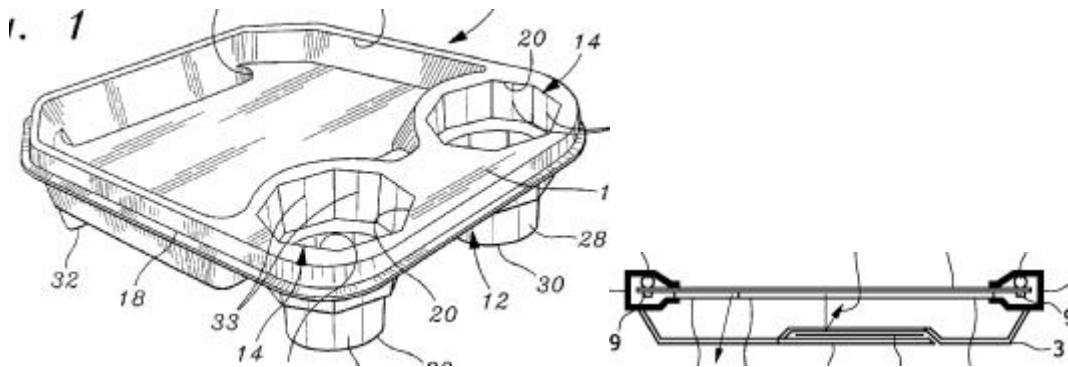
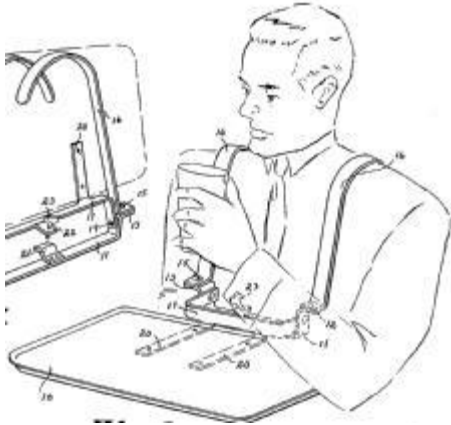
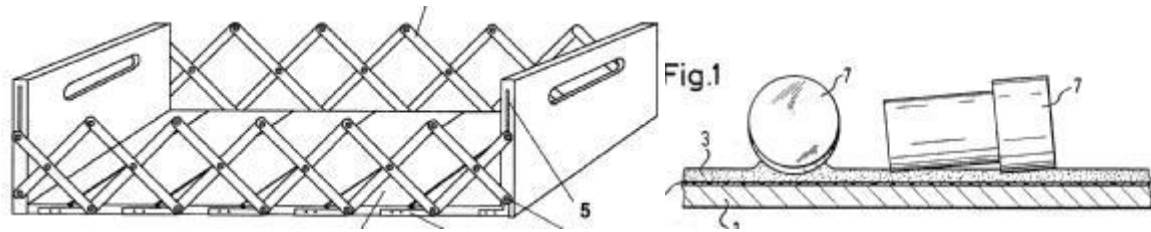
### Serving trays (service tables [A47B 31/00](#))

#### Definition statement

*This place covers:*

- Collapsible or expandable trays
- Trays with anti-slip features
- Trays combined with or convertible into other articles (picture frames, bags, toys, lunch box, bibs, etc.)
- Illuminated trays
- Compartmentalised trays
- Trays suspended from the shoulders or the neck of the user
- Trays adapted to be supported from other objects
- Trays with means (magnets, pegs, clamps) for holding articles in place





**References**

**Informative references**

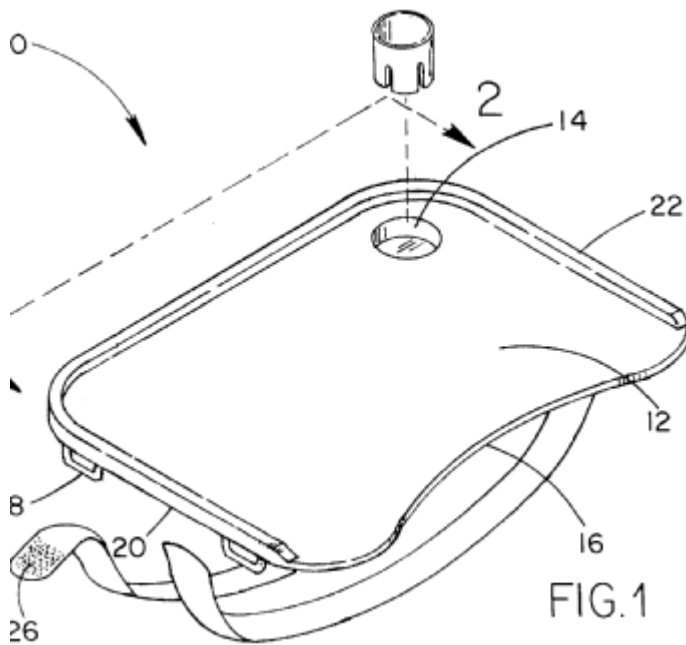
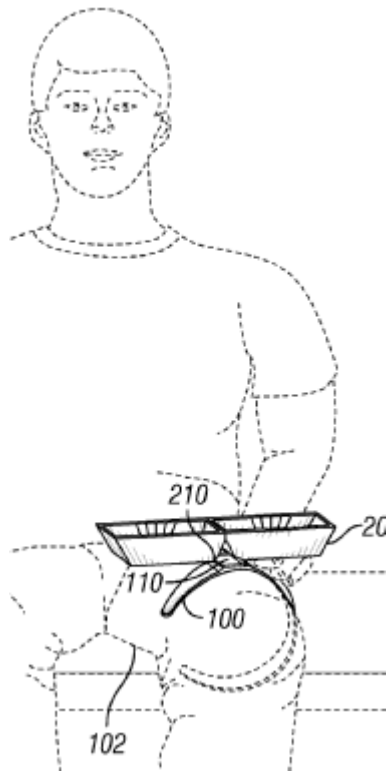
Attention is drawn to the following places, which may be of interest for search:

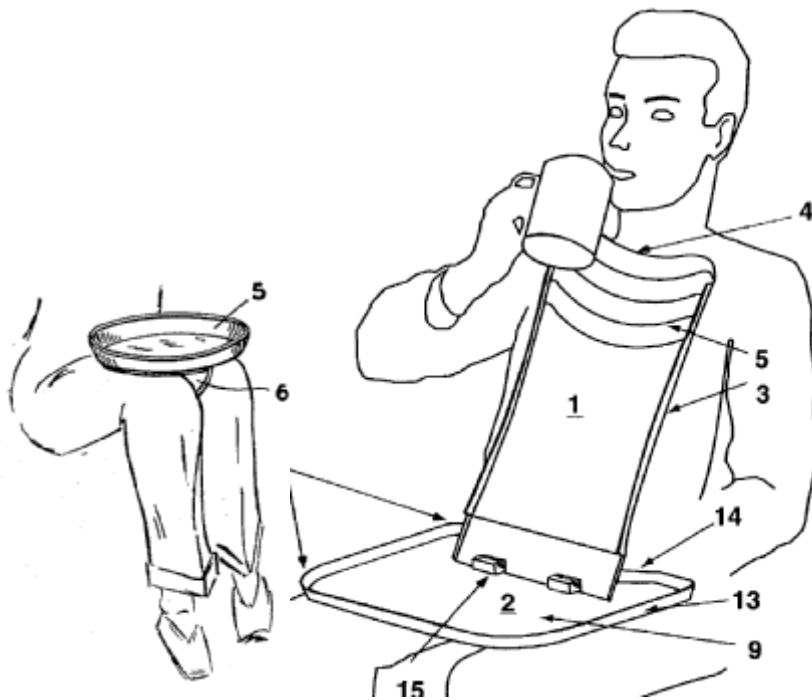
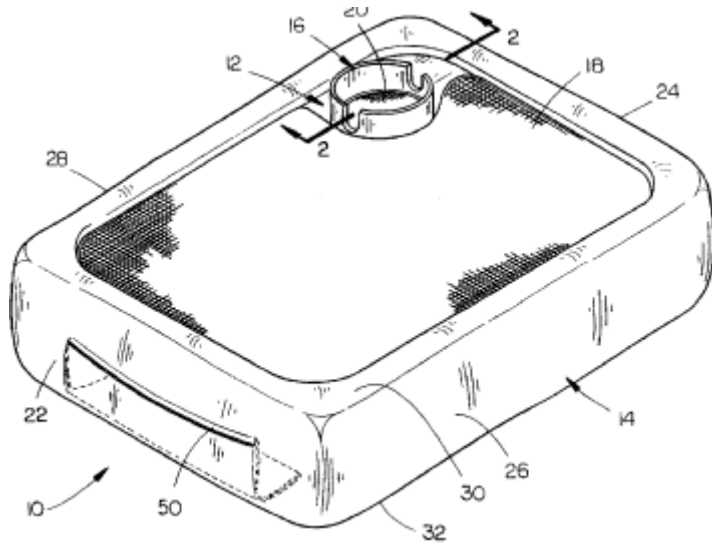
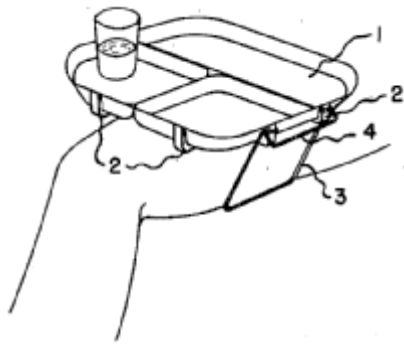
Bed-tables; Trays; Reading-racks; Book-rests supported only by a person	<a href="#">A47B 23/002</a>
Service tables	<a href="#">A47B 31/00</a>
Children's chairs with trays	<a href="#">A47D 1/008</a>
Trays or like shallow containers	<a href="#">B65D 1/34</a>
Containers of polygonal cross-section, e.g. boxes, cartons, trays, formed by folding or erecting one or more blanks made of paper	<a href="#">B65D 5/00</a>
Containers for packaging foodstuffs specially adapted to be heated by microwaves	<a href="#">B65D 81/3446</a>

**A47G 23/0608****{Lap trays}****Definition statement**

*This place covers:*

- Trays adapted in various ways to rest on or being fixed to the lap of a user.







## References

### Informative references

Attention is drawn to the following places, which may be of interest for search:

Table mats	<a href="#">A47G 23/0303</a>
Bibs	<a href="#">A41B 13/10</a>
Holders or carriers for use while travelling or camping	<a href="#">A45F 5/00</a>
Bedtables or trays supported only by a person	<a href="#">A47B 23/002</a> (with foldable legs <a href="#">A47B 23/001</a> )
Service or tea tables adapted to the use in vehicles	<a href="#">A47B 31/06</a>
Foldable arm-rest tables	<a href="#">A47C 7/70</a>
Writing or drawing underlays	<a href="#">B43L 3/00</a>
Arrangements or adaptations of trays in vehicles	<a href="#">B60N 3/001</a>

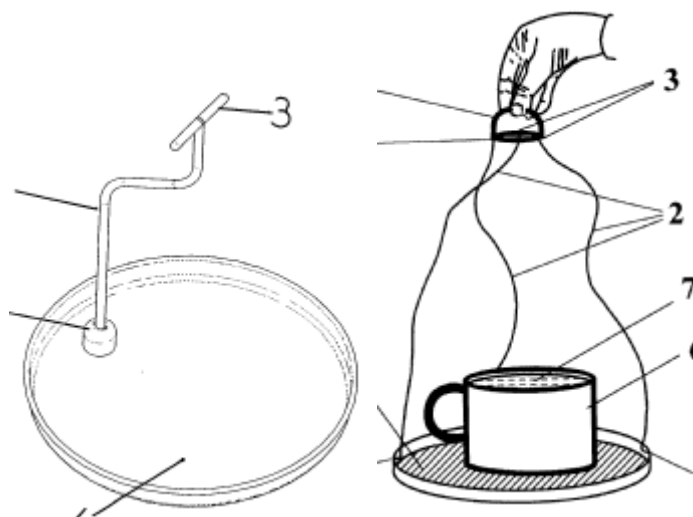
## A47G 23/0616

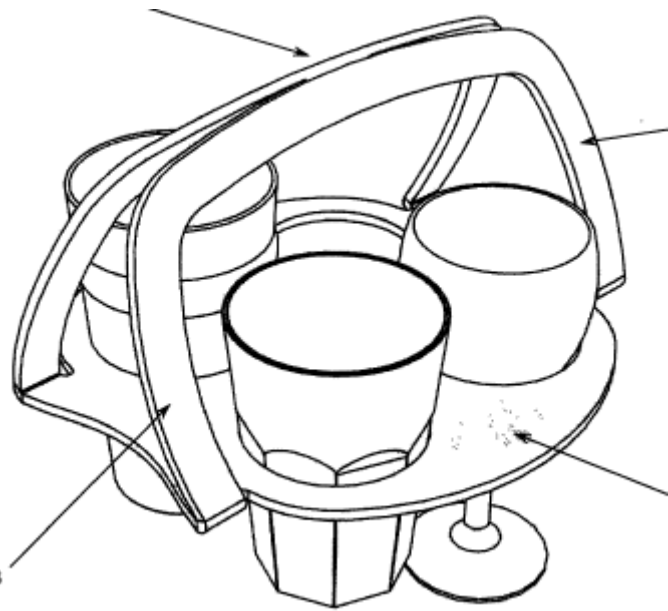
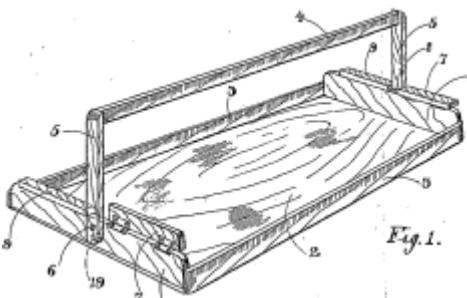
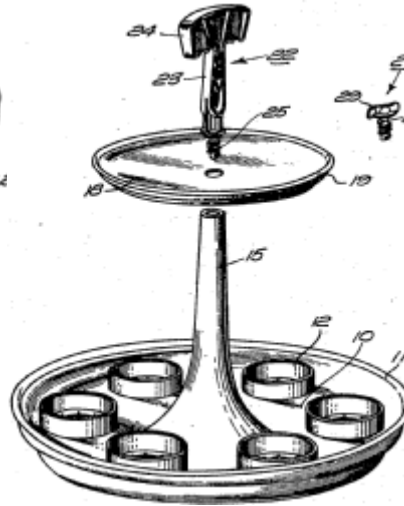
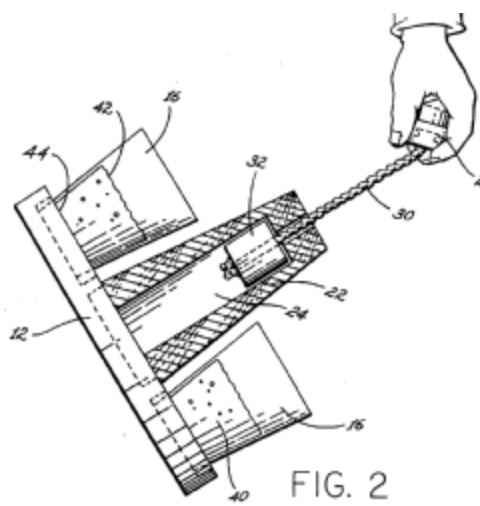
{suspended from handles positioned centrally above the tray}

### Definition statement

This place covers:

- The position of the handle enabling better ergonomics and/or improved stability of the tray when carried





**References**

**Informative references**

Attention is drawn to the following places, which may be of interest for search:

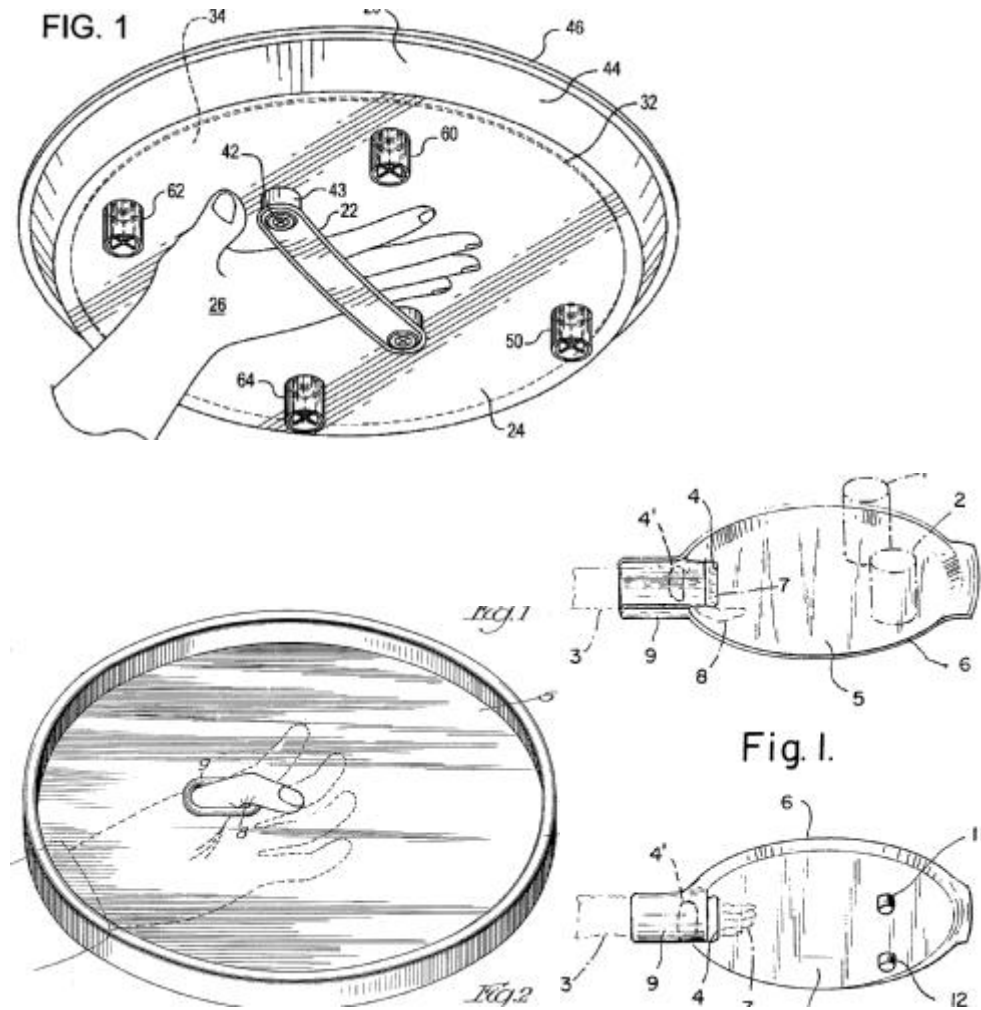
Crates for bottles or like containers	<a href="#">B65D 1/243</a>
Bundles of articles held together by packaging elements for convenience of storage or transport	<a href="#">B65D 71/00</a>
Ease of carrying and portability (e.g., disposability)	3B115/AA23 (FT)

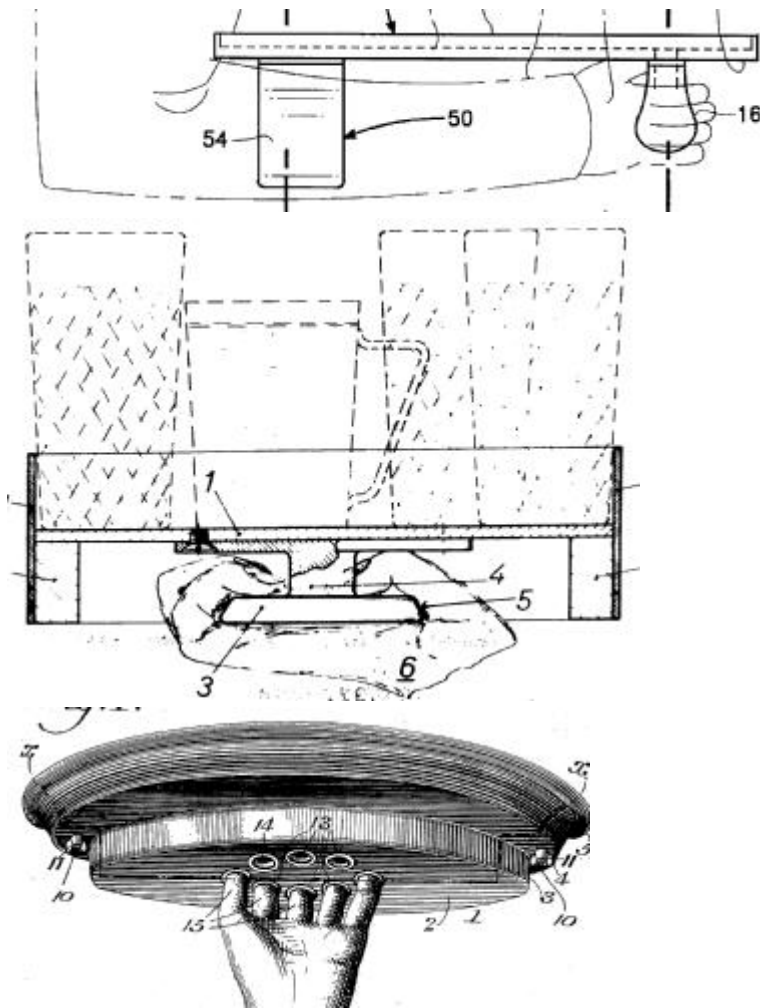
## A47G 23/0625

{with thumb holes, handles or the like positioned below the tray facilitating carrying the tray with one hand (party or cocktail trays [A47G 19/065](#))}

### Definition statement

This place covers:





## References

### Informative references

Attention is drawn to the following places, which may be of interest for search:

Plates with integral holders for spoons, glasses, or the like and with thumb holes, handles or the like enabling the user to support the plate from below	<a href="#">A47G 19/065</a>
Holder or carriers for hand articles	<a href="#">A45F 5/00</a>
Trays or like shallow containers	<a href="#">B65D 1/34</a>

## A47G 23/0633

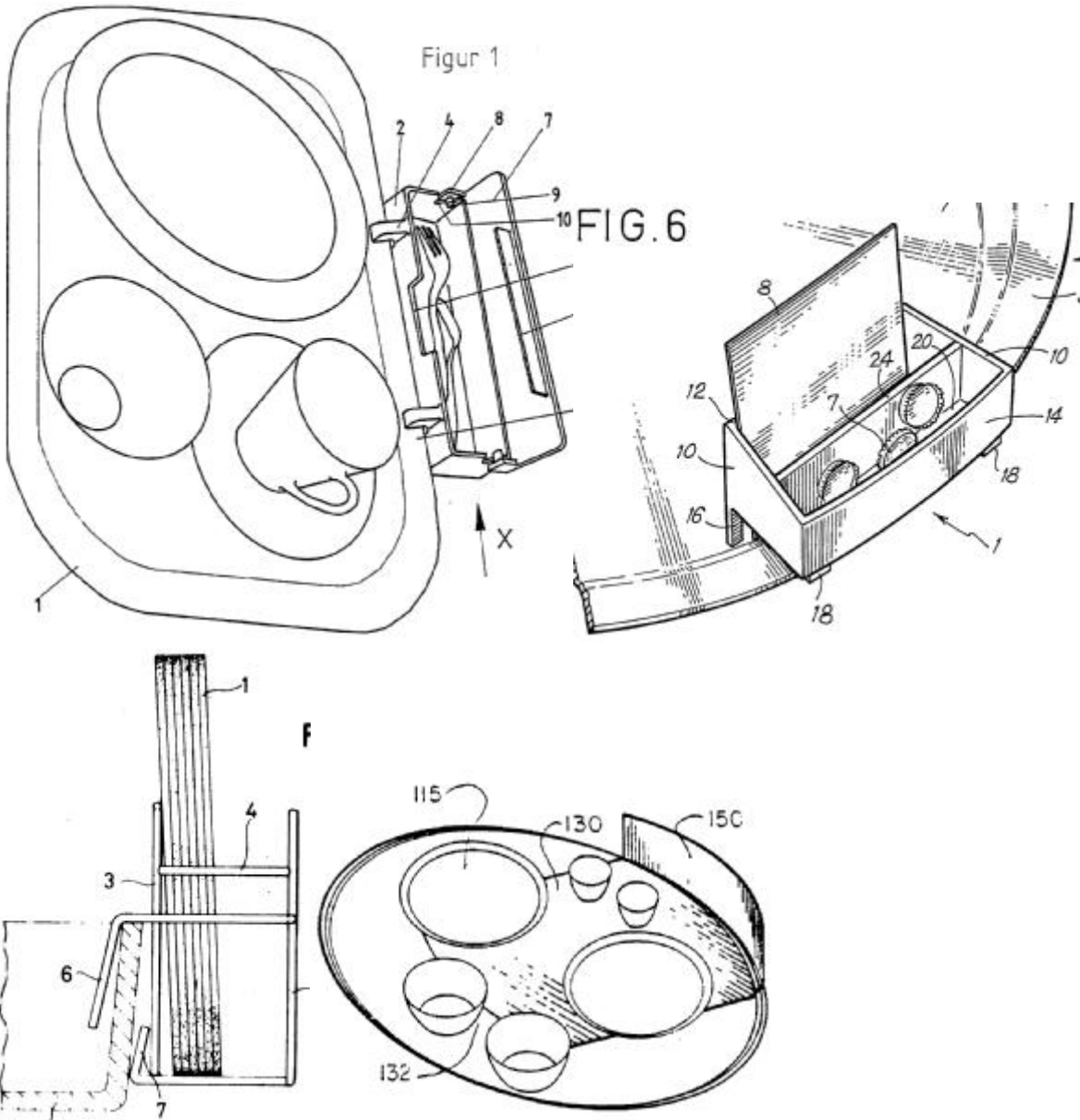
{Attachments to trays ([A47G 19/04](#), [A47G 23/0225](#) take precedence)}

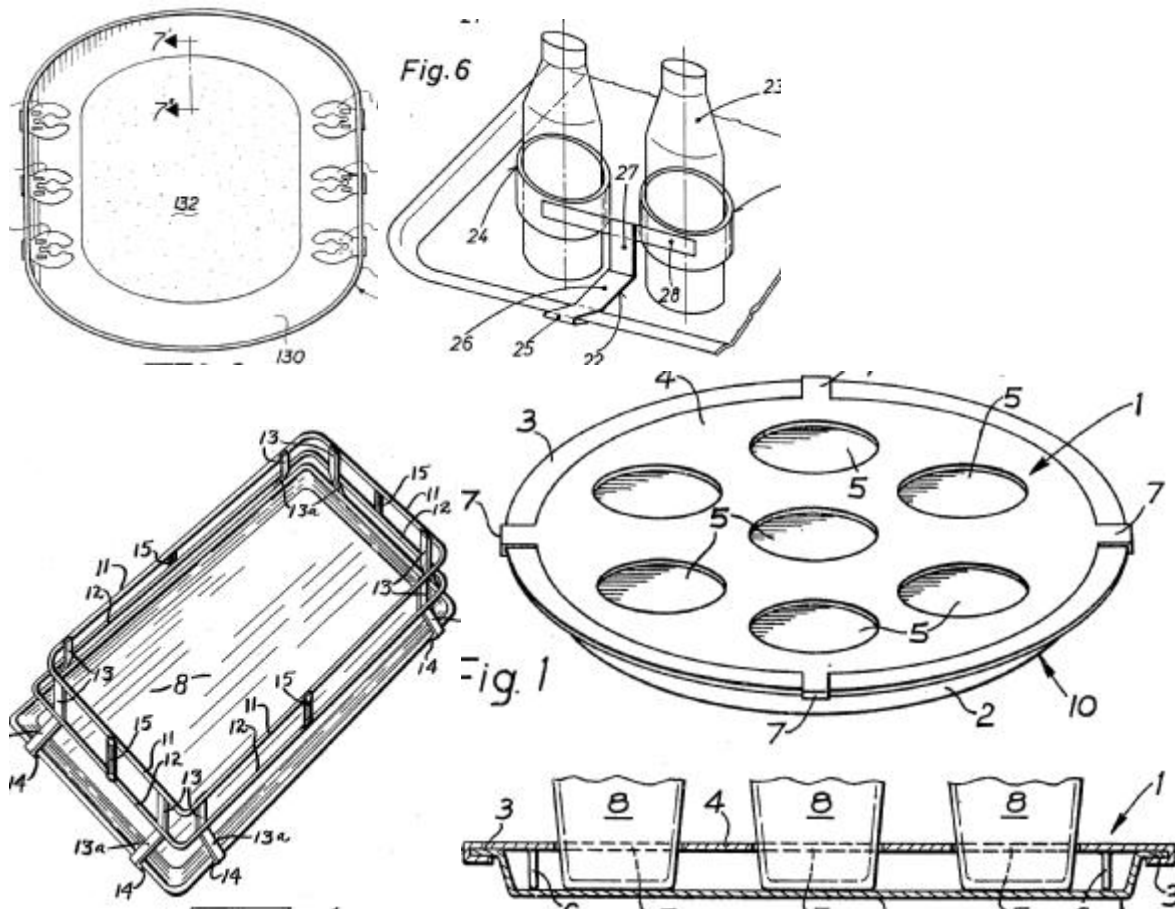
### Definition statement

This place covers:

- Detachable
- containers for cutlery, change or the like
- sanitary protector shield
- clip-on identification pieces
- bean bags

- rails or stabilising supports for drinking glasses or the like





## References

### Informative references

Attention is drawn to the following places, which may be of interest for search:

Plates with detachable waste receptacles	<a href="#">A47G 19/04</a>
Holders for one glass or bottle attachable to a plate, table, or the like	<a href="#">A47G 23/0225</a>
Change trays	<a href="#">G07D 9/02</a>

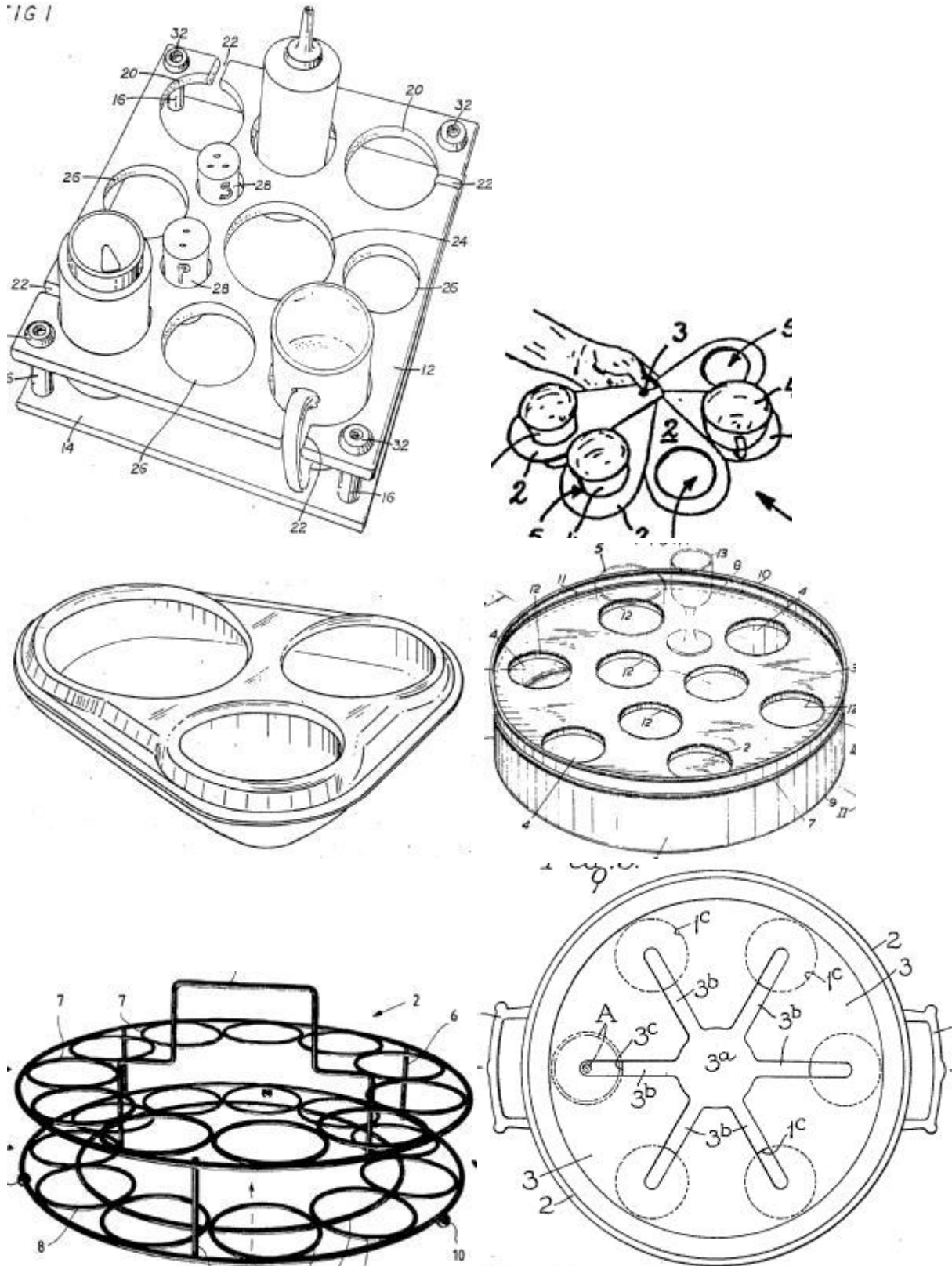
## A47G 23/0641

{provided with a plurality of openings, e.g. for carrying glasses, bottles or the like}

### Definition statement

This place covers:

FIG 1



**References**

**Informative references**

Attention is drawn to the following places, which may be of interest for search:

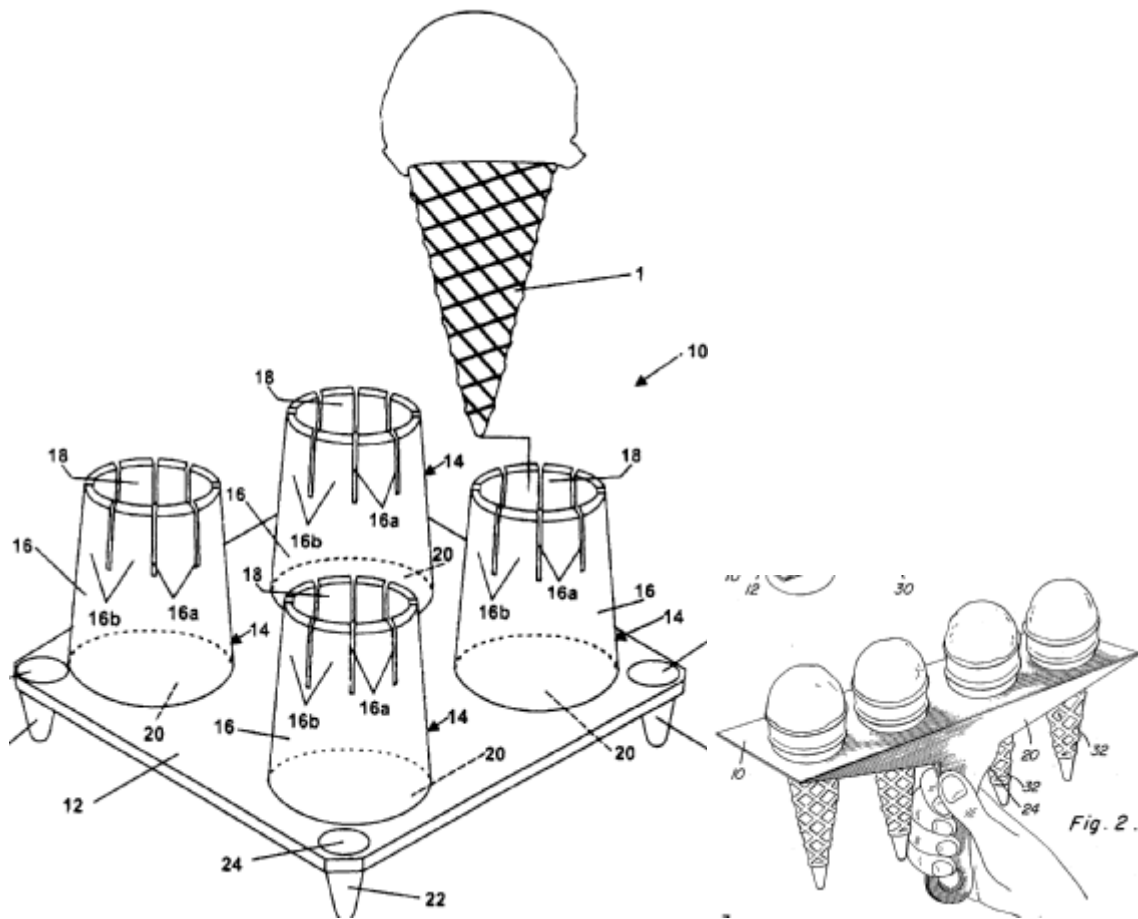
<p>Holders for drinking-glasses, plastic cups, or the like</p>	<p><a href="#">A47G 23/0208</a></p>
<p>Trays or like shallow containers with moulded compartments or partitions</p>	<p><a href="#">B65D 1/36</a></p>
<p>Bundles of articles held together by packaging elements for convenience of storage or transport</p>	<p><a href="#">B65D 71/00</a></p>

**A47G 23/065**

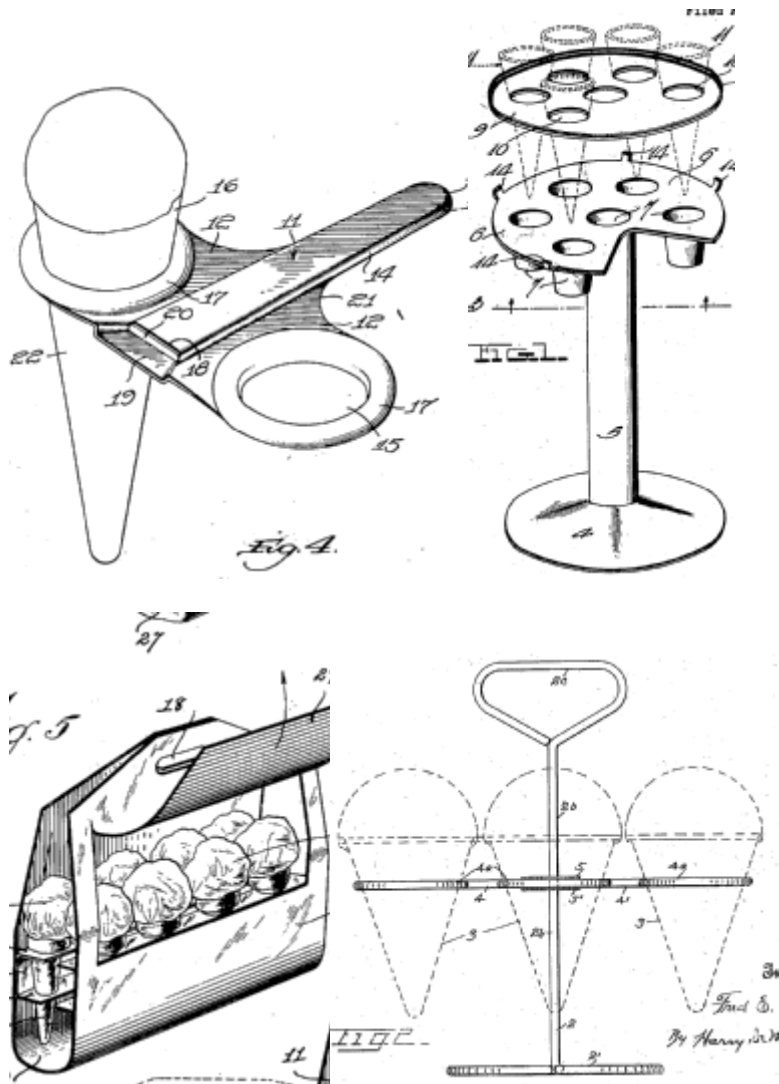
{for carrying ice-cream cones}

**Definition statement**

This place covers:







## References

### Informative references

Attention is drawn to the following places, which may be of interest for search:

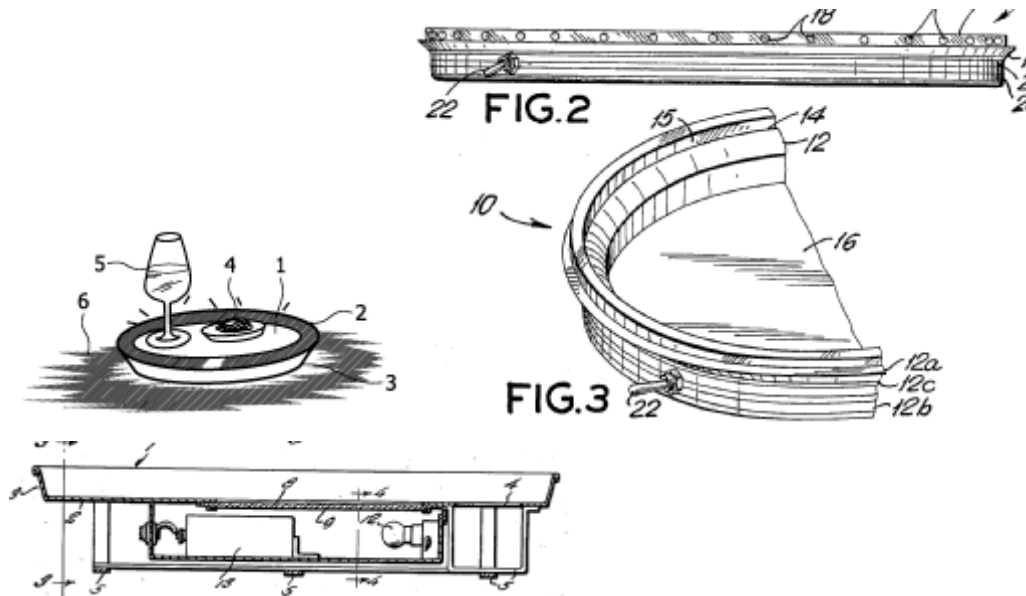
Holders for drinking-glasses, plastic cups, or the like	<a href="#">A47G 23/0208</a>
Trays or like shallow containers with moulded compartments or partitions	<a href="#">B65D 1/36</a>
Bundles of articles held together by packaging elements for convenience of storage or transport	<a href="#">B65D 71/00</a>
Containers, packaging elements or packages specially adapted for ice-cream	<a href="#">B65D 85/78</a>

**A47G 2023/0658**

{illuminated}

**Definition statement**

*This place covers:*



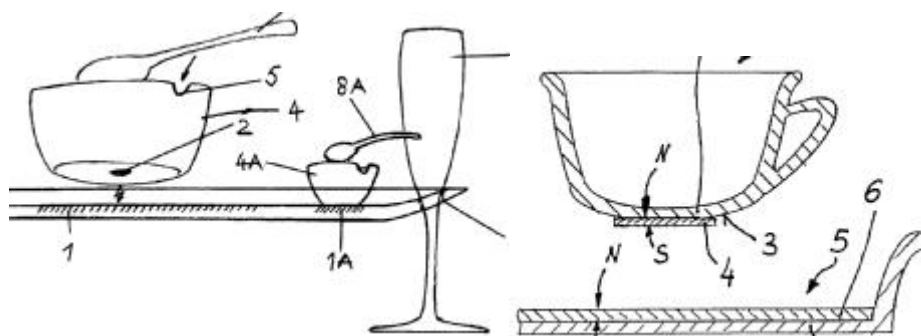
**A47G 2023/0666**

{using magnets}

**Definition statement**

*This place covers:*

- Trays using permanent magnets, typically to stabilize table-service or table-ware thereon

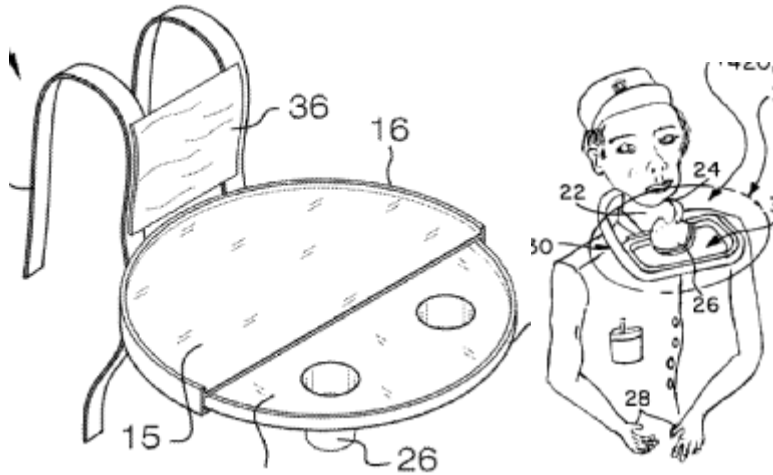


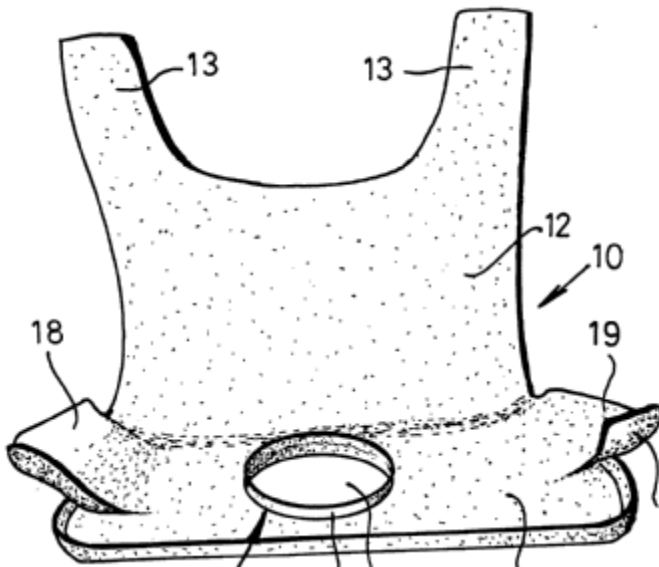
## A47G 2023/0675

{suspended from the shoulders or the neck of the user}

### Definition statement

*This place covers:*





**References**

**Informative references**

Attention is drawn to the following places, which may be of interest for search:

Bibs	<a href="#">A41B 13/10</a>
Holder or carriers for hand articles	<a href="#">A45F 5/00</a>
Trays for children's chairs	<a href="#">A47D 1/008</a>

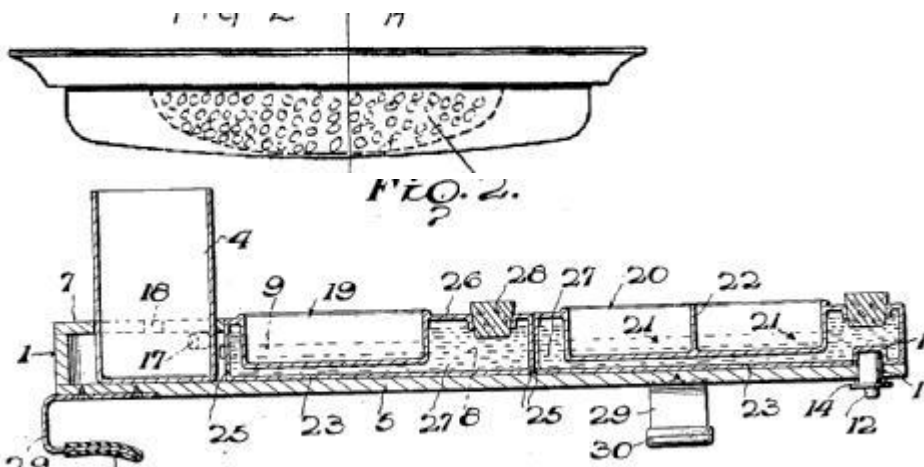
**A47G 23/0683**

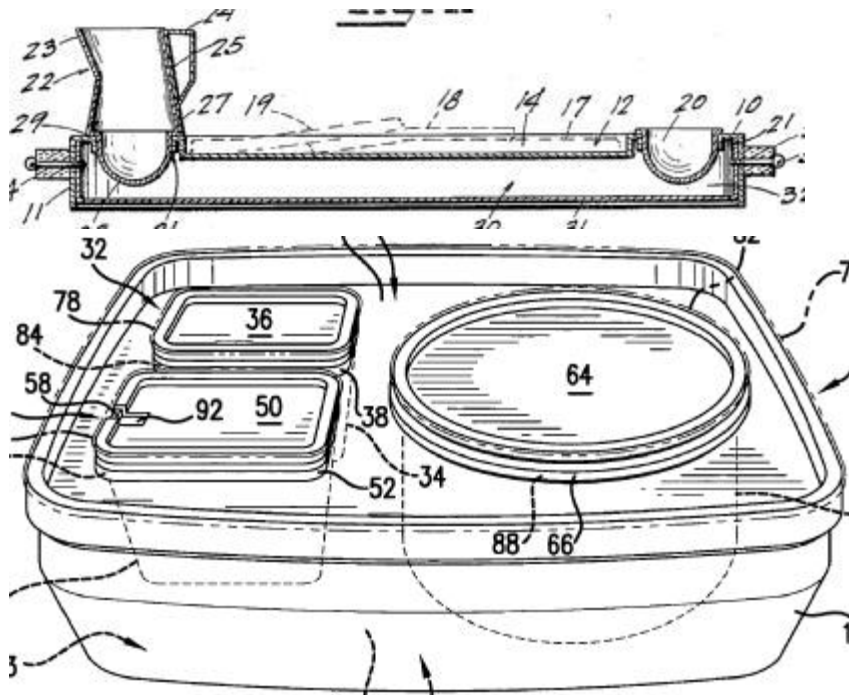
{with means for keeping food cool or hot}

**Definition statement**

This place covers:

- Trays comprising heat storing liquid or solid material





## References

### Informative references

Attention is drawn to the following places, which may be of interest for search:

Plates, dishes or the like with means for keeping food cool or hot	<a href="#">A47G 19/027</a>
Warming devices	<a href="#">A47J 36/24</a>
Supports for cooking vessels	<a href="#">A47J 36/34</a>
Dish-warmers; Devices to keep food hot	<a href="#">A47J 39/02</a>
Carriers for prepared human food	<a href="#">A47J 47/14</a>
Containers for packaging foodstuffs specially adapted to be heated by microwaves	<a href="#">B65D 81/3446</a>
Materials releasing or absorbing heat during crystallisation	<a href="#">C09K 5/063</a>
Portable cooling devices using ice	<a href="#">F25D 3/08</a>
Heat storage apparatus using latent heat	<a href="#">F28D 20/00</a>
Ohmic-resistance heating	<a href="#">H05B 3/00</a>

## A47G 23/08

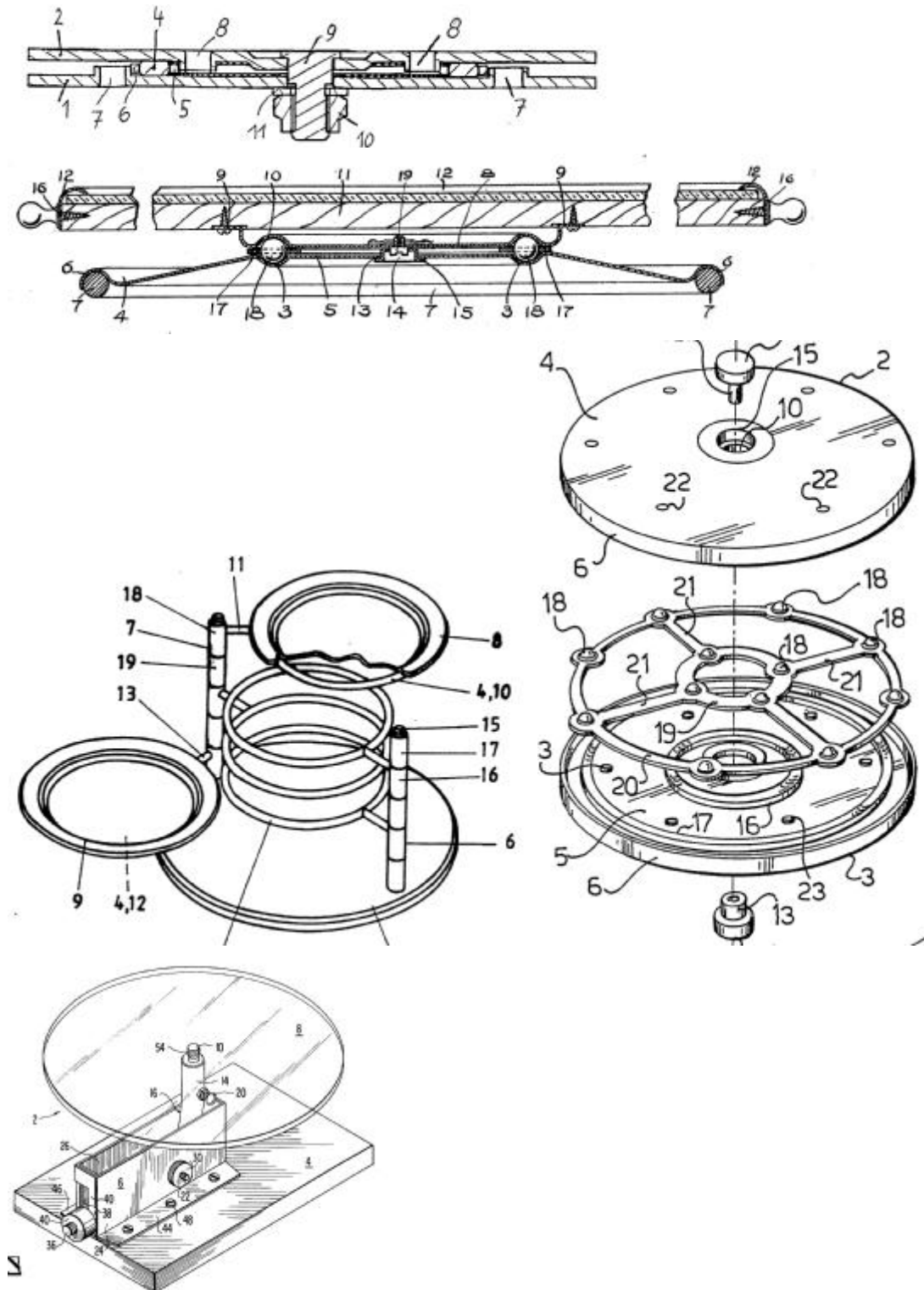
**Food-conveying devices for tables {(restaurant service systems [A47F 10/06](#); conveyors for washing or rinsing crockery or tableware [A47L 15/00](#))}; Movable or rotary food-serving devices**

### Definition statement

*This place covers:*

- Rotatable trays for table use
- Rotatable holders for spice containers
- Rotatable cake stands

- Table stands with rotatable or swingable arms for trays



## References

### Informative references

Attention is drawn to the following places, which may be of interest for search:

Tables with tops revolvable on vertical spindles	<a href="#">A47B 11/00</a>
Revolving cabinets or racks; Cabinets or racks with revolving parts	<a href="#">A47B 49/00</a>

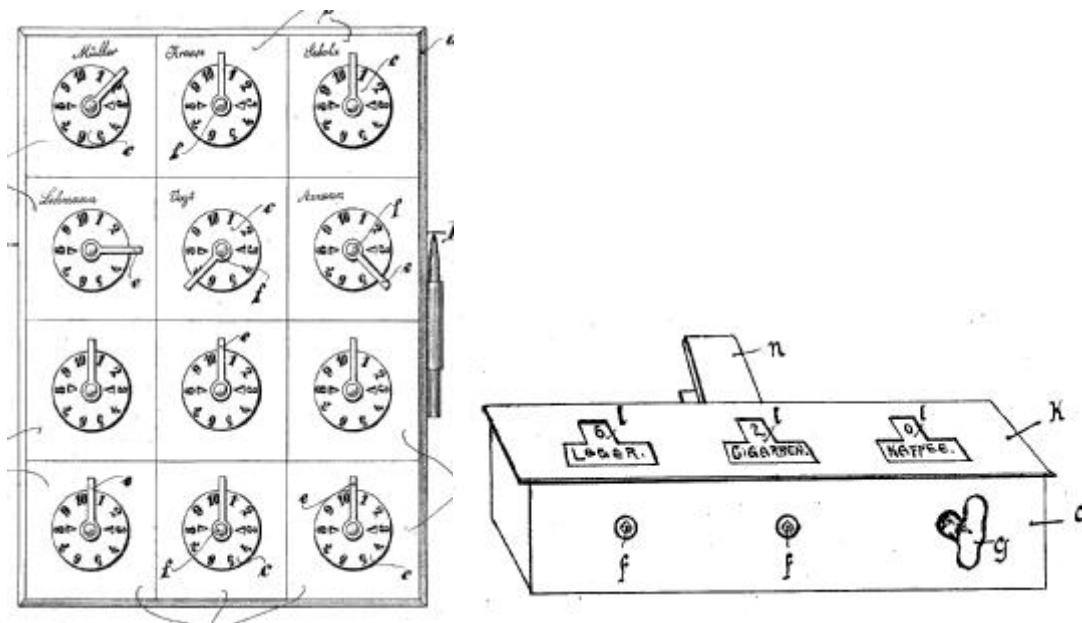
Rotary show-cases	<a href="#">A47F 3/10</a>
Rotary display stands	<a href="#">A47F 5/02</a>
Furniture or installations specially adapted for restaurant service systems	<a href="#">A47F 10/06</a>
Conveyors for washing or rinsing crockery or tableware	<a href="#">A47L 15/00</a>
Passenger or crew accommodation specially adapted for food or beverage distribution services	<a href="#">B64D 11/0007</a>
Conveyors	<a href="#">B65G</a>
Restaurants or shops having arrangements for self-service	<a href="#">E04H 3/04</a>
Stands or trestles as supports for apparatus or articles placed thereon allowing pivoting around a vertical axis	<a href="#">F16M 11/08</a>

## A47G 23/10

Devices for counting or marking the number of consumptions (on beverage-dispensing apparatus [B65D](#), [B67D](#); counting in general [G06M](#))

### Definition statement

*This place covers:*



### References

#### Informative references

*Attention is drawn to the following places, which may be of interest for search:*

On beverage-dispensing apparatus	<a href="#">B65D</a> , <a href="#">B67D</a>
Measuring-cups	<a href="#">G01F 19/00</a>
Indicating or measuring liquid level, or level of fluent solid material	<a href="#">G01F 23/00</a>
Weighing apparatus for controlling caloric intake	<a href="#">G01G 19/4146</a>
Investigating or analysing materials and determining alcohol content	<a href="#">G01N 33/4972</a>
Counting in general	<a href="#">G06M</a>

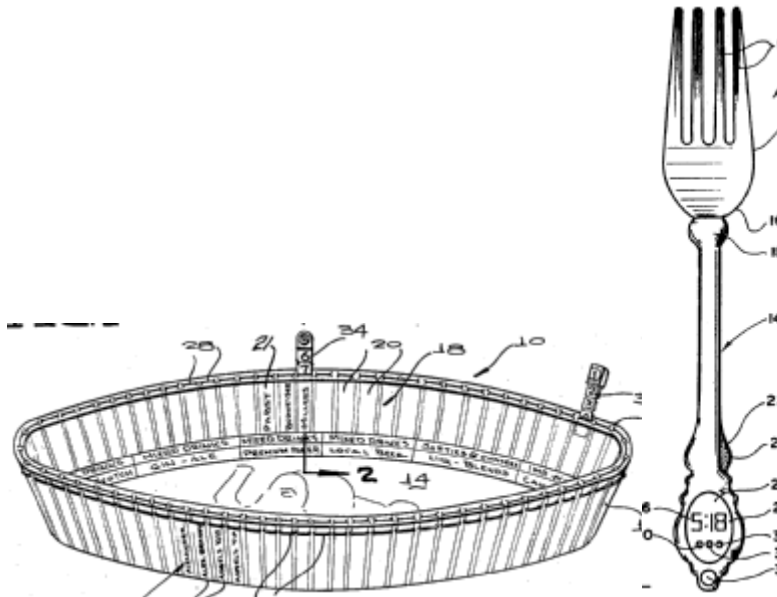
Advertising on tableware	<a href="#">G09F 23/08</a>
--------------------------	----------------------------

## A47G 23/12

### Consumption counters combined with table-ware {or table-service}

#### Definition statement

*This place covers:*



#### References

##### Informative references

*Attention is drawn to the following places, which may be of interest for search:*

Plates, dishes or the like with means for amusing or giving information to the user	<a href="#">A47G 19/025</a>
Weighing apparatus for controlling caloric intake	<a href="#">G01G 19/4146</a>
Advertising on tableware	<a href="#">G09F 23/08</a>

## A47G 23/14

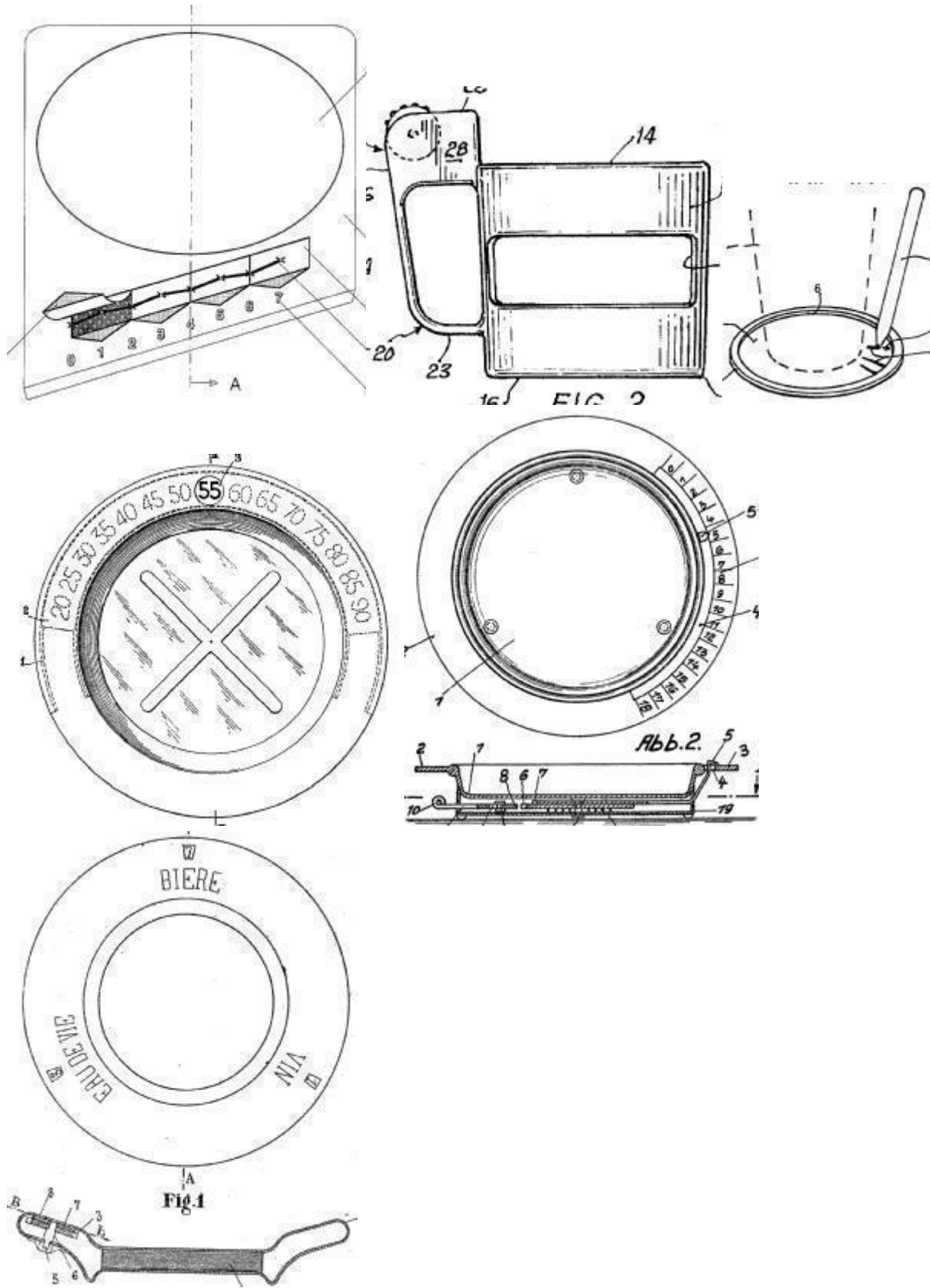
### combined with underlays {or holders}, e.g. for glasses

#### Definition statement

*This place covers:*

- Mechanical, digital or simple manual registration/marketing of consumptions on beer mats, coasters, saucers or other underlays





## References

### Informative references

Attention is drawn to the following places, which may be of interest for search:

Plates, dishes or the like with means for amusing or giving information to the user	<a href="#">A47G 19/025</a>
Drinking glasses or vessels with means for amusing or giving information to the user	<a href="#">A47G 19/2227</a>
Underlays for glasses or drinking-vessels with means for amusing or giving information to the user	<a href="#">A47G 23/0306</a>
Measuring-cups	<a href="#">G01F 19/00</a>
Indicating or measuring liquid level, or level of fluent solid material	<a href="#">G01F 23/00</a>
Weighing apparatus for controlling caloric intake	<a href="#">G01G 19/4146</a>
Advertising on tableware	<a href="#">G09F 23/08</a>

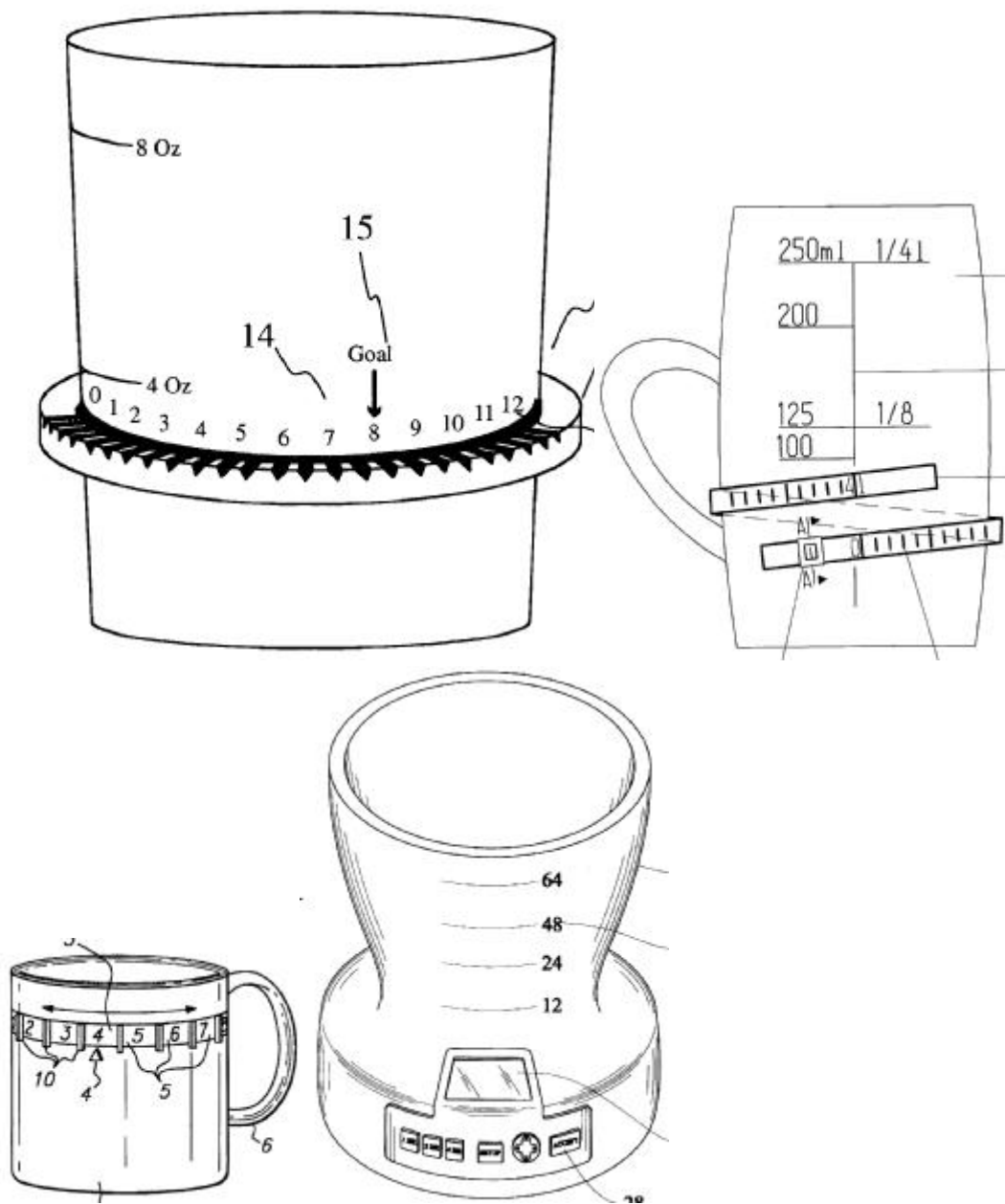
## A47G 23/16

**combined with drinking vessels or with lids therefor**

### Definition statement

*This place covers:*

- Mechanical, digital or simple manual registration/markings of consumptions on drinking vessels



**References**

**Informative references**

Attention is drawn to the following places, which may be of interest for search:

Drinking glasses or vessels with means for amusing or giving information to the user	<a href="#">A47G 19/2227</a>
Pill counting devices with arrangements for time indication or reminder for taking medicine	<a href="#">A61J 7/04</a>
Measuring apparatus wherein a measuring chamber is filled and emptied by tilting or inverting the supply vessel	<a href="#">G01F 11/26</a>
Measuring-cups	<a href="#">G01F 19/00</a>
Weighing apparatus for controlling caloric intake	<a href="#">G01G 19/4146</a>

**A47G 25/00**

Household implements used in connection with wearing apparel; Dress, hat or umbrella holders (wardrobes [A47B 61/00](#))

**References****Informative references**

Attention is drawn to the following places, which may be of interest for search:

Wardrobes	<a href="#">A47B 61/00</a>
-----------	----------------------------

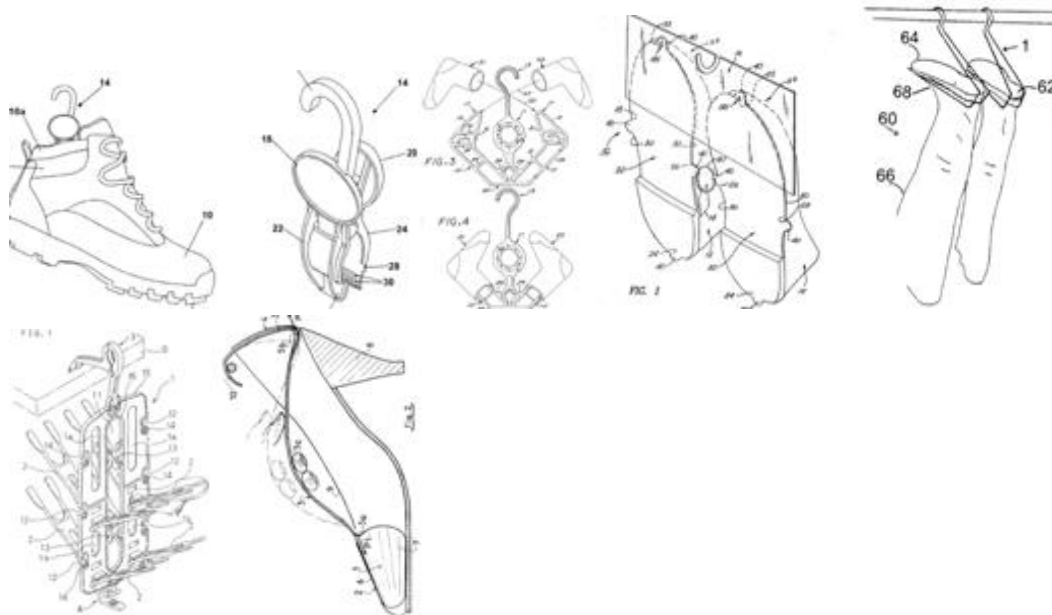
**A47G 25/005**

{Shoe hangers}

**Definition statement**

*This place covers:*

Devices for hanging one or more shoes or boots, comprising a hanging hook as in a clothing hanger

**References****Informative references**

Attention is drawn to the following places, which may be of interest for search:

Shoe-lasts	<a href="#">A43D 3/00</a>
Show stands, hangers or shelves for shoes	<a href="#">A47F 7/08</a>
Devices for holding footwear during cleaning or shining	<a href="#">A47L 23/18</a>
Devices, e.g. shoe or boot stands for drying footwear	<a href="#">A47L 23/20</a>

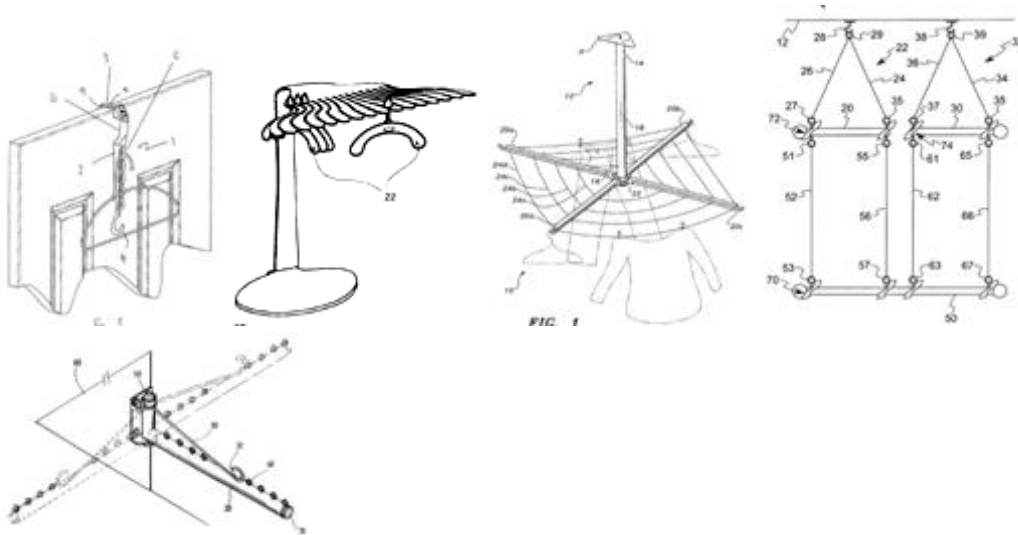
## A47G 25/06

**Clothes hooks; Clothes racks; Garment-supporting stands with swingable or extending arms (with lockable hooks [E05B 69/02](#))**

### Definition statement

*This place covers:*

Illustrative example of subject matter classified in this group.



### References

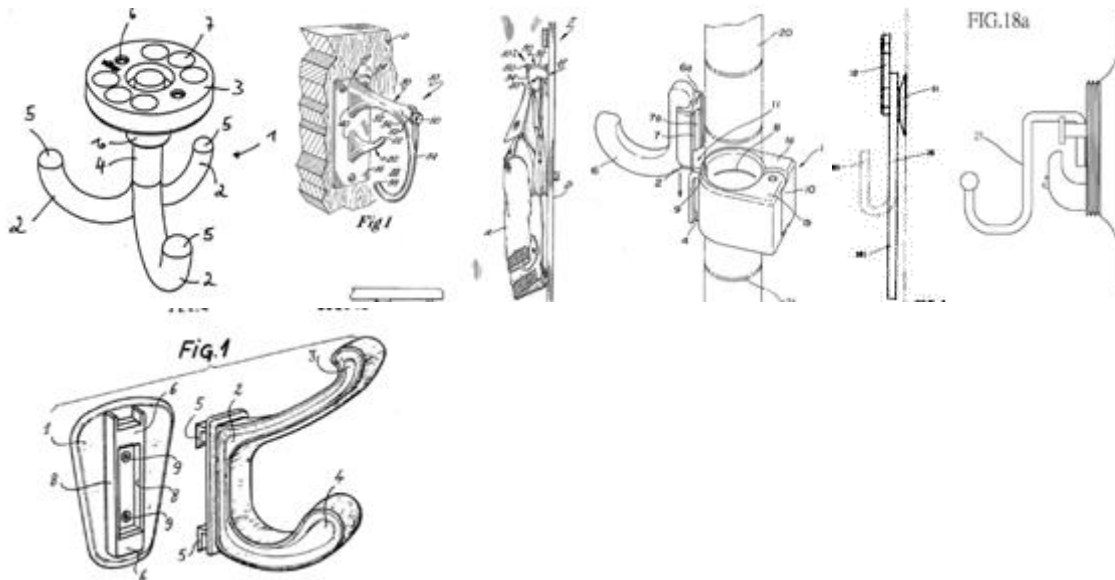
#### Informative references

Attention is drawn to the following places, which may be of interest for search:

Lockable clothing holders	<a href="#">E05B 69/00</a>
Lockable clothing hooks	<a href="#">E05B 69/02</a>

**A47G 25/0607****{Clothes hooks}****Definition statement***This place covers:*

Illustrative example of subject matter classified in this group.

**References****Informative references***Attention is drawn to the following places, which may be of interest for search:*

Bath towel hooks	<a href="#">A47K 10/12</a>
------------------	----------------------------

**A47G 25/0685****{Collapsible clothes racks, e.g. swingable, foldable, extendible ([A47G 25/0671](#) takes precedence; wardrobes with extensible garment holders [A47B 61/02](#))}****References****Limiting references***This place does not cover:*

Dress valets	<a href="#">A47G 25/0671</a>
--------------	------------------------------

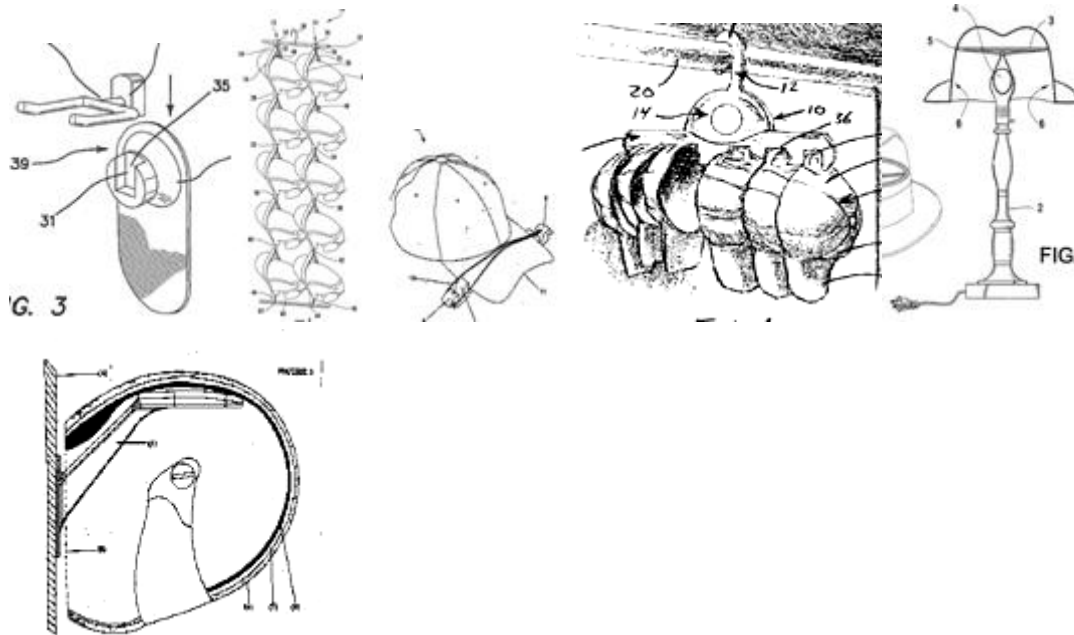
**Informative references***Attention is drawn to the following places, which may be of interest for search:*

Wardrobes with extensible garment holders	<a href="#">A47B 61/02</a>
---	----------------------------

**A47G 25/10****Hat holders; Hat racks****Definition statement**

*This place covers:*

Illustrative example of subject matter classified in this group.

**A47G 25/14**

**Clothing hangers, e.g. suit hangers ([A47G 25/60](#) takes precedence; wardrobes with extensible garment holders [A47B 61/02](#))**

**References****Limiting references**

*This place does not cover:*

Hangers having provision for perfumes or for pesticides or pest repellants	<a href="#">A47G 25/60</a>
--	----------------------------

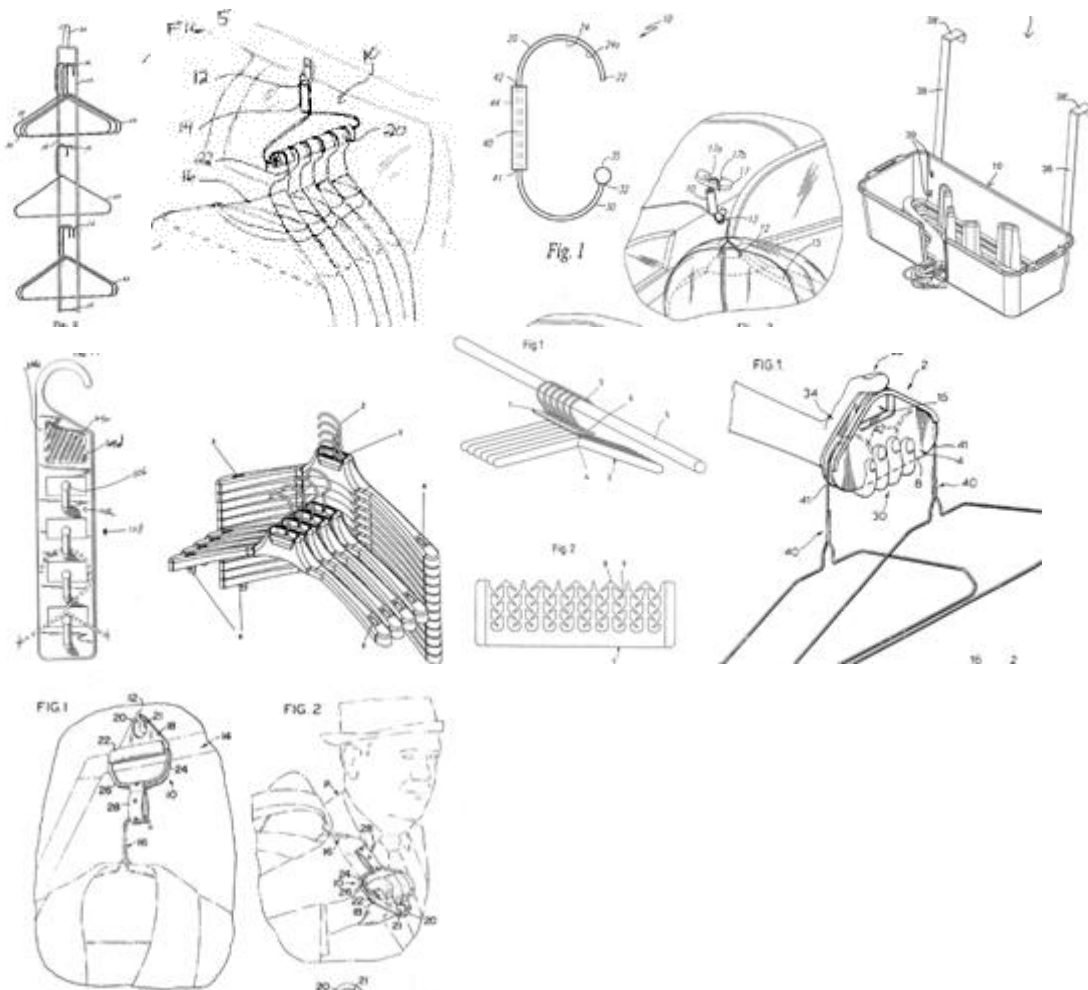
**Informative references**

*Attention is drawn to the following places, which may be of interest for search:*

Wardrobes with extensible garment holders	<a href="#">A47B 61/02</a>
---	----------------------------

**A47G 25/1442****{Handling hangers, e.g. stacking, dispensing}****Definition statement***This place covers:*

Illustrative example of subject matter classified in this group.

**A47G 25/16**for complete outfits ([A47G 25/40](#), [A47G 25/44](#) take precedence)**References****Limiting references***This place does not cover:*

Collapsible hangers	<a href="#">A47G 25/40</a>
Slidable hangers, adjustable hangers	<a href="#">A47G 25/44</a>



## A47G 25/18

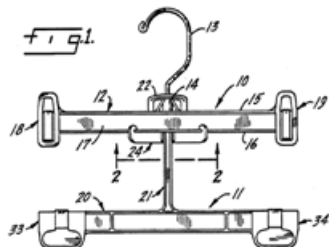
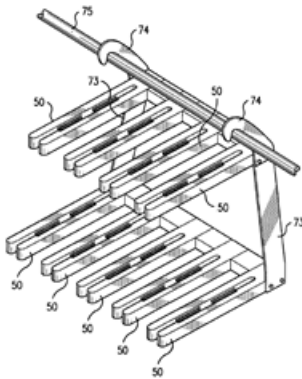
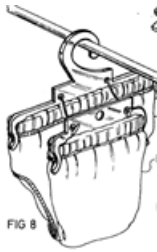
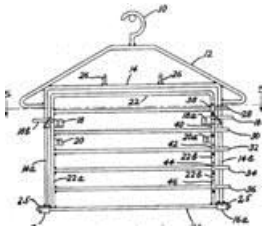
for two or more similar garments, e.g. constructed to connect to, or support, a similar hanger

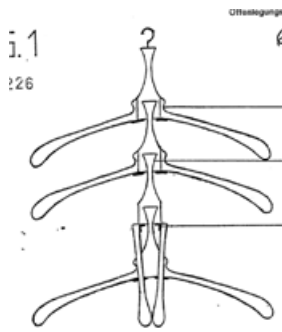
### Definition statement

*This place covers:*

Clothing hangers for two or more similar garments.

Illustrative examples of subject matter classified in this group.





**References**

**Informative references**

Attention is drawn to the following places, which may be of interest for search:

Hangers for clothing hangers	<a href="#">A47G 25/1457</a>
Clothing hangers for complete outfits	<a href="#">A47G 25/16</a>

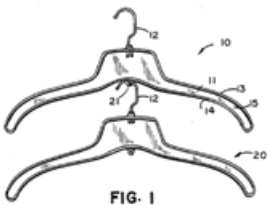
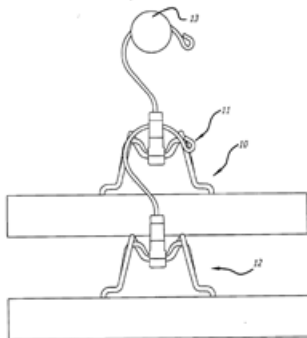
**A47G 25/183**

{constructed to connect to, or support a similar hanger}

**Definition statement**

This place covers:

Clothing hangers which implicitly have a hook, for connecting to a similar clothing hanger with a hook, e.g. comprising an integral or separable connecting member for the hook.



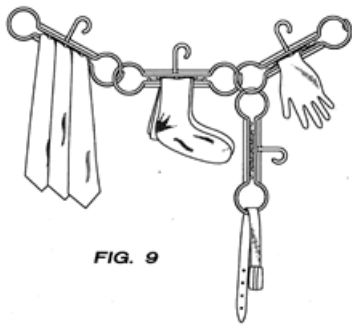


FIG. 9

## References

### Informative references

Attention is drawn to the following places, which may be of interest for search:

Hangers for clothing hangers	A47G24/14B2B
------------------------------	--------------

## A47G 25/186

{comprising a separate connecting member}

### Definition statement

This place covers:

Separate connecting members for interconnecting clothing hangers (implicitly having a hook), e.g. for retrofitting to the hook of a clothing hanger.

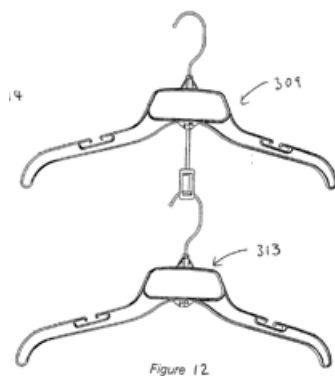
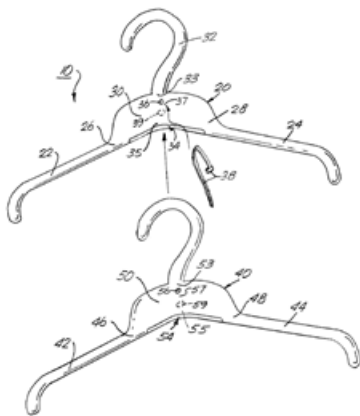
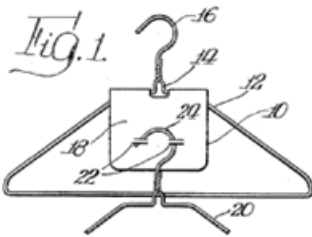
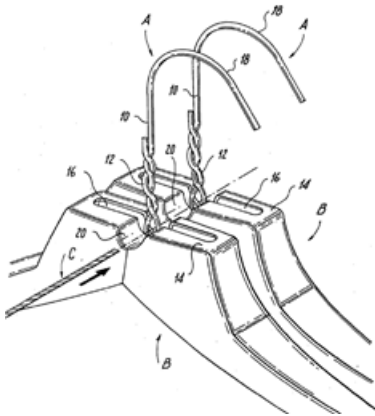


Figure 12



**References**

**Informative references**

Attention is drawn to the following places, which may be of interest for search:

Hangers for clothing hangers	<a href="#">A47G 25/1457</a>
------------------------------	------------------------------

**A47G 25/20**

with devices for preserving the shape of the clothes {(adjustable shoulder support members [A47G 25/442](#))}

**References**

**Informative references**

Attention is drawn to the following places, which may be of interest for search:

By adjustable shoulder support members	<a href="#">A47G 25/442</a>
--	-----------------------------

**A47G 25/24**

made of wire ({[A47G 25/40](#), [A47G 25/44](#)}, [A47G 25/52](#), {[A47G 25/62](#)}, [A47G 25/70](#) take precedence)

**References**

**Limiting references**

This place does not cover:

Collapsible hangers	<a href="#">A47G 25/40</a>
Slidable hangers, adjustable hangers	<a href="#">A47G 25/44</a>
Hangers with clamps or the like made of wire	<a href="#">A47G 25/52</a>

Trouser or skirt stretchers or tensioners of the hanger type	<a href="#">A47G 25/62</a>
Trouser-stretchers with creasing or expanding devices made of wire	<a href="#">A47G 25/70</a>

## A47G 25/26

especially adapted to prevent slipping-off of the clothes, e.g. with non-slip surfaces ([A47G 25/30](#) takes precedence; {with clamps or the like [A47G 25/48](#)})

### References

#### Limiting references

*This place does not cover:*

Hangers characterised by their shape to prevent slipping-off of the clothes	<a href="#">A47G 25/30</a>
Hangers with clamps or the like	<a href="#">A47G 25/48</a>

## A47G 25/30

to prevent slipping-off of the clothes {(with clamps or the like [A47G 25/48](#))}

### References

#### Limiting references

*This place does not cover:*

To prevent slipping-off by clamps or the like	<a href="#">A47G 25/48</a>
---	----------------------------

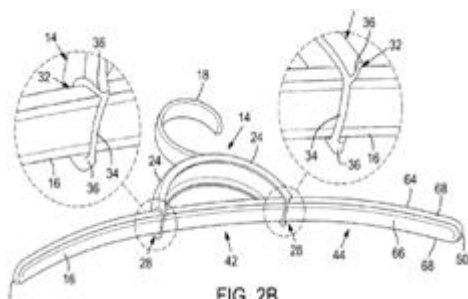
## A47G 25/32

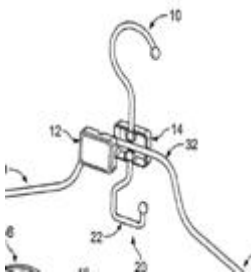
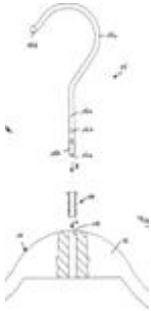
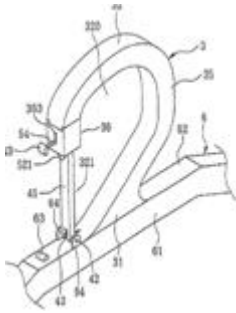
involving details of the hook ([A47G 25/34](#), [A47G 25/38](#) take precedence)

### Definition statement

*This place covers:*

Illustrative example of subject matter classified in this group.





**References**

**Limiting references**

*This place does not cover:*

With hook and hanger made in one piece	<a href="#">A47G 25/34</a>
Hook mountings for hangers characterised by the selection of the material	<a href="#">A47G 25/38</a>

**A47G 25/34**

with hook and hanger made in one piece ([A47G 25/36](#) takes precedence)

**References**

**Limiting references**

*This place does not cover:*

Characterised by the selection of the material	<a href="#">A47G 25/36</a>
--	----------------------------

**A47G 25/4061**

{rotatably connected ([A47G 25/4053](#) takes precedence)}

**References****Limiting references**

*This place does not cover:*

Telescopically or slidably connected	<a href="#">A47G 25/4053</a>
--------------------------------------	------------------------------

**A47G 25/4076**

{comprising support arms of flexible band, cord or the like, and a trouser bar ([A47G 25/447](#) takes precedence)}

**References****Limiting references**

*This place does not cover:*

Adjustable hangers having an adjustable top angle between the support arms or adjustable arc formed by the support arms	<a href="#">A47G 25/447</a>
---	-----------------------------

**A47G 25/44**

Slidable hangers {; Adjustable hangers ([A47G 25/4053](#), [A47G 25/62](#) take precedence)}

**References****Limiting references**

*This place does not cover:*

Collapsible hangers comprising support arms of a series of links telescopically or slidably connected	<a href="#">A47G 25/4053</a>
Trouser or skirt stretchers or tensioners of the hanger type	<a href="#">A47G 25/62</a>

**A47G 25/441**

{having adjustable width ([A47G 25/447](#) takes precedence)}

**References****Limiting references**

*This place does not cover:*

Having an adjustable top angle between the support arms or adjustable arc formed by the support arms	<a href="#">A47G 25/447</a>
--	-----------------------------

**A47G 25/487**

{for clamping the trousers or skirts against the trouser-supporting bar or between trouser-supporting bars ([A47G 25/483](#) takes precedence)}

**References****Limiting references**

*This place does not cover:*

With pivoting clamps or clips having axis of rotation parallel with the trouser-supporting bar	<a href="#">A47G 25/483</a>
--	-----------------------------

**A47G 25/62**

Trouser or skirt stretchers or tensioners of the hanger type (with application of heat or steam [D06F](#))

**References****Informative references**

*Attention is drawn to the following places, which may be of interest for search:*

With application of heat or steam	<a href="#">D06F</a>
-----------------------------------	----------------------

**A47G 25/628**

{by the weight of the trouser or skirt ([A47G 25/625](#) takes precedence)}

**References****Limiting references**

*This place does not cover:*

The gripping members being provided on resilient arms	<a href="#">A47G 25/625</a>
---	-----------------------------

**A47G 25/66**

Trouser-stretchers with creasing or expanding devices (with application of heat or steam [D06F](#))

**References****Informative references**

*Attention is drawn to the following places, which may be of interest for search:*

With application of heat or steam	<a href="#">D06F</a>
-----------------------------------	----------------------



**A47G 25/72****Garment-pressing devices (hot pressing apparatus or machines [D06F](#))****References*****Informative references****Attention is drawn to the following places, which may be of interest for search:*

Hot pressing apparatus or machines	<a href="#">D06F</a>
------------------------------------	----------------------

**A47G 25/76****Necktie-stretching devices (with application of heat or steam [D06F](#))****References*****Informative references****Attention is drawn to the following places, which may be of interest for search:*

With application of heat or steam	<a href="#">D06F</a>
-----------------------------------	----------------------

**A47G 25/78****Necktie-pressing devices, e.g. combined with holding devices (hot-pressing apparatus [D06F](#))****References*****Informative references****Attention is drawn to the following places, which may be of interest for search:*

Hot-pressing apparatus	<a href="#">D06F</a>
------------------------	----------------------

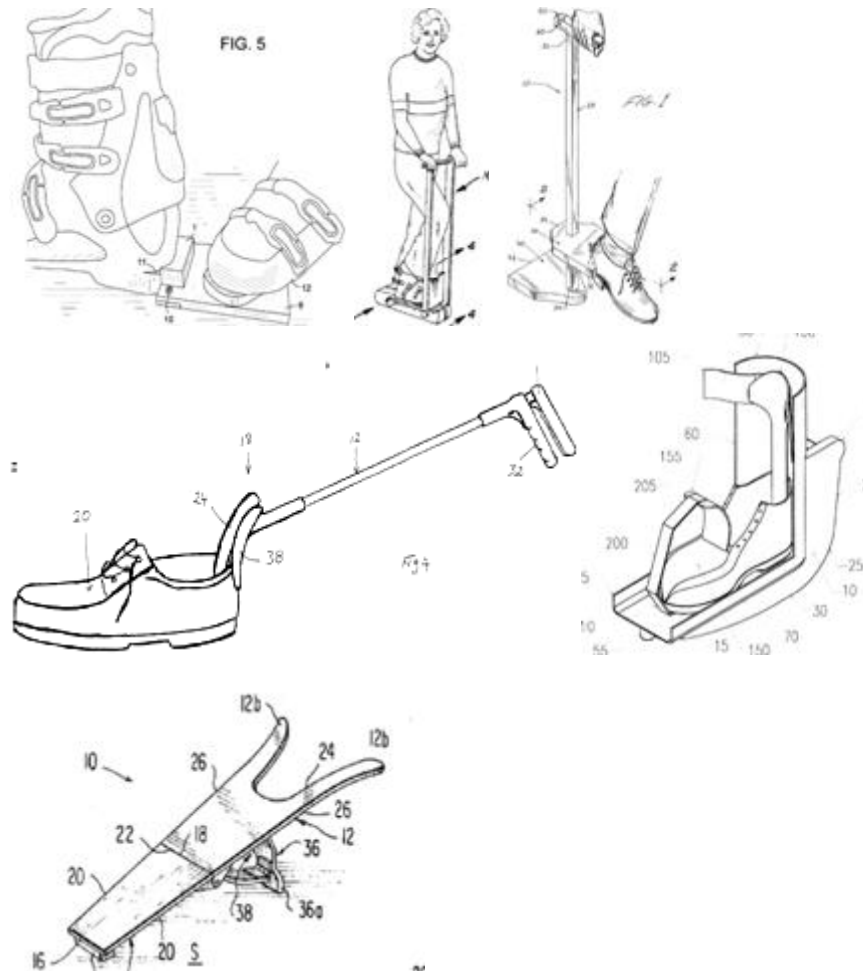
## A47G 25/80

Devices for putting-on or removing boots or shoes, e.g. boot-hooks, boot-jacks (shoe buttoners [A47G 25/92](#))

### Definition statement

*This place covers:*

Illustrative example of subject matter classified in this group.



### References

#### Informative references

Attention is drawn to the following places, which may be of interest for search:

Shoe buttoners	<a href="#">A47G 25/92</a>
----------------	----------------------------

**A47G 25/84****Shoe benches****References****Informative references**

Attention is drawn to the following places, which may be of interest for search:

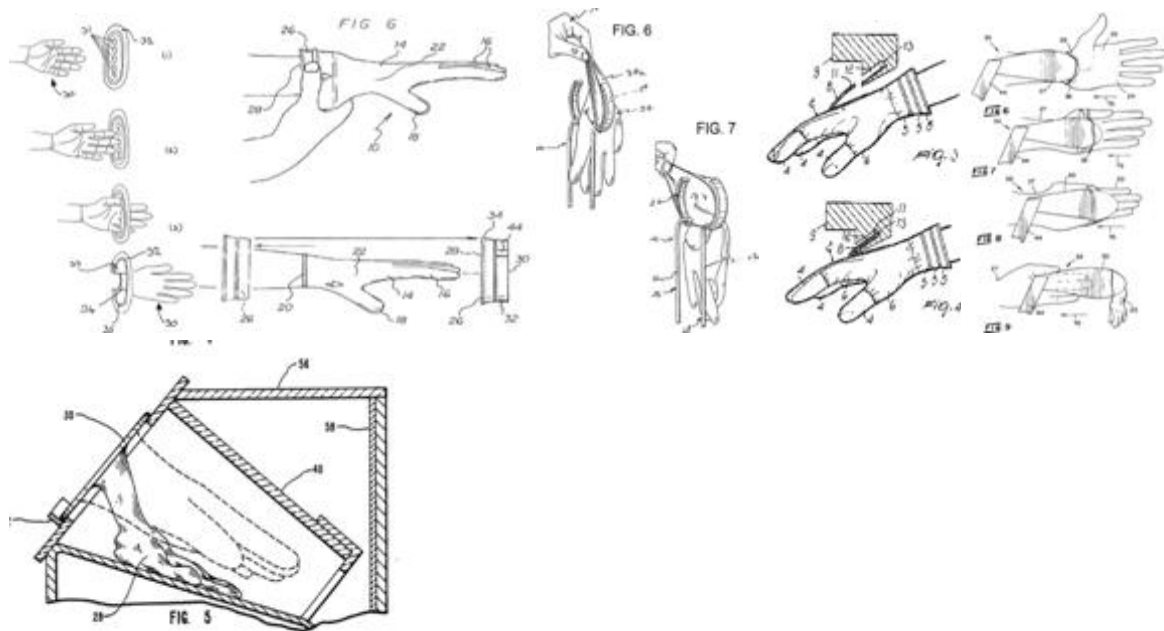
Cabinets for shoes	<a href="#">A47B 61/04</a>
Shoe-shine stands	<a href="#">A47L 23/16</a>

**A47G 25/904**

{for gloves (glove hooks [A47G 25/92](#))}

**Definition statement**

This place covers:

**References****Informative references**

Attention is drawn to the following places, which may be of interest for search:

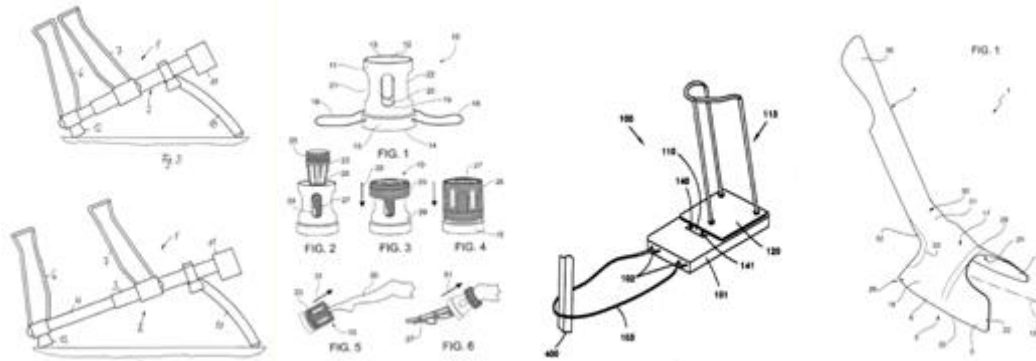
Glove hooks	<a href="#">A47G 25/92</a>
Treating operating gloves	<a href="#">A61B 42/00</a>
Dispensers for operating gloves	<a href="#">A61B 42/40</a>
Glove mounting means in shielded glove boxes for shielded cells or rooms	<a href="#">G21F 7/053</a>

### A47G 25/905

{for stockings}

#### Definition statement

This place covers:

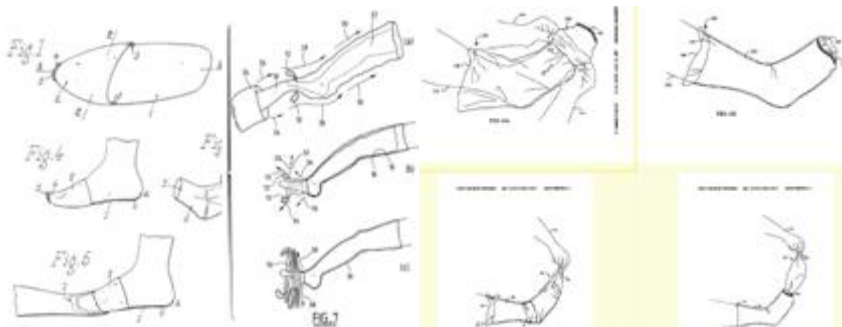


### A47G 25/907

{Smooth and flexible temporary foot covers, e.g. sock-shaped}

#### Definition statement

This place covers:

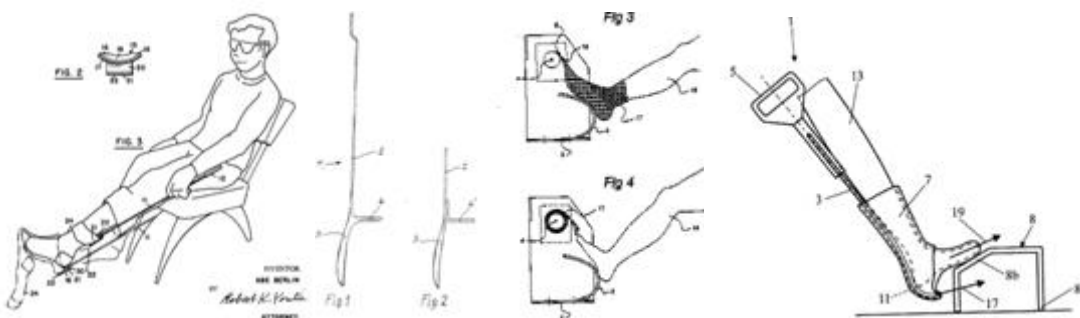


### A47G 25/908

{Removal devices}

#### Definition statement

This place covers:



## A47G 27/00

**Floor fabrics; Fastenings therefor (woven fabrics [D03D](#); non-woven fabrics [D04H](#) {; floor covering on a textile basis [D06N 7/0005](#)})**

### Definition statement

*This place covers:*

Floor fabrics for laying over an existing floor covering but not textile incl. backing aspects.

The laying of floor fabrics and special tools therefor are covered.

### References

#### Informative references

*Attention is drawn to the following places, which may be of interest for search:*

Layered products	<a href="#">B32B</a>
Manufacturing layered products	<a href="#">B32B 37/00</a>
Woven fabrics	<a href="#">D03D</a> , <a href="#">D03D 1/00</a> - <a href="#">D03D 15/00</a>
Woven pile fabrics	<a href="#">D03D 27/00</a>
Knitted fabrics	<a href="#">D04B 1/00</a>
Knitted pile fabrics	<a href="#">D04B 1/02</a>
Non-woven fabrics	<a href="#">D04H</a>
Non-woven pile fabrics	<a href="#">D04H 11/00</a>
Tufted fabrics	<a href="#">D05C 17/02</a>
Backings for tufting	<a href="#">D05C 17/023</a>

Only manufacturing classes

Electrostatic flocking	<a href="#">B05D 1/14</a>
Shaping of plastics	<a href="#">B29C</a>
Producing floor coverings from rubber, plastics	<a href="#">B29D 99/0057</a>

Only products classes

Floor or wall coverings	<a href="#">D06N</a>
Linoleum	<a href="#">D06N 1/00</a>
Coated fibrous webs	<a href="#">D06N 3/00</a>
Coated floor coverings on textile basis	<a href="#">D06N 7/0005</a>
Characterised by the relief structure	<a href="#">D06N 7/0007</a>
Characterised by colour effects	<a href="#">D06N 7/0028</a>
Characterised by the backing	<a href="#">D06N 7/0036</a>
Characterised by physical or chemical aspects of the layers	<a href="#">D06N 7/0039</a>
Characterised by the base web	<a href="#">D06N 7/006</a>

Antistatic flooring	<a href="#">H05F 3/025</a>
---------------------	----------------------------

Treatment of textiles to add additional characteristics

Flame retardant or antistatic	<a href="#">D06M</a>
-------------------------------	----------------------

### Special rules of classification

For example carpet tiles in as far as their interlocking ([A47G 27/0293](#)), decorative surface pattern ([A47G 27/0275](#)) or another non-textile aspect ([A47G 27/0243](#)) is concerned.

All kinds of floor covering rugs and mats for domestic use not otherwise provided for are in [A47G 27/02](#) or [A47G 27/0206](#) when protecting the underlying surface, some distinguishable rugs and mats are in [A47G 27/0212](#) subgroups, the common decorative domestic fabric rugs and carpet tiles are in [A47G 27/0243](#)

- For textile aspects see:

Manufacturing and product classes

## A47G 27/02

**Carpets; Stair runners; Bedside rugs; Foot mats (mat-like foot scrapers [A47L 23/22](#) {; doormats [A47L 23/26](#)})**

### Definition statement

*This place covers:*

Domestic rugs or carpets, e.g. decorative for living room, anti-slip and/or absorbent for bath room or toilet, etc., see "Definition Statement" of [A47G 27/00](#).

### References

#### Informative references

*Attention is drawn to the following places, which may be of interest for search:*

Underlays for Christmas trees	<a href="#">A47G 33/04</a>
Floor coverings for housing animals	<a href="#">A01K 1/015</a>
Dog beds	<a href="#">A01K 1/035</a>
Play mats for children's pens	<a href="#">A47D 13/06</a>
Play mats for children	<a href="#">A47D 15/003</a>
Non-slip mats inside baths or showers	<a href="#">A47K 3/002</a>
Mat-like foot scrapers	<a href="#">A47L 23/22</a>
Doormats	<a href="#">A47L 23/26</a> , <a href="#">A47L 23/266</a>
Gymnastic mats	<a href="#">A63B 6/00</a>
Mats for courts	<a href="#">A63C 19/04</a>
Vehicle workshop mats	<a href="#">B25H 5/00</a>
Mats in vehicles	<a href="#">B60N 3/04</a>
Non-slip mats on boat decks	<a href="#">B63B 3/48</a>
Antistatic or flame retardant treatment of textiles	<a href="#">D06M</a>

Playgrounds for sports	<a href="#">E01C 13/00</a>
Artificial grass	<a href="#">E01C 13/08</a>
Gratings	<a href="#">E04C 2/42</a>
Hard non-textile flooring elements e.g. parquet, tiles	<a href="#">E04F 15/16</a>
Gratings built-in	<a href="#">E04F 19/10</a>
Oil collecting drip trays for garages	<a href="#">E04H 6/428</a>
Oil collecting drip trays	<a href="#">F16N 31/006</a>
Gratings not in building art	<a href="#">F16S 3/00</a>
Heating mats by fluid	<a href="#">F24D 3/16</a>
Cash mats for handling coins	<a href="#">G07D 9/00</a>
Installation of electric cables under carpet	<a href="#">H02G 3/00</a>
Heating mats by electrical resistance	<a href="#">H05B 3/34</a>
Floor coverings discharging static charges	<a href="#">H05F 3/025</a>

## A47G 27/0225

{for bathrooms ([A47G 27/0218](#) takes precedence)}

### References

#### Limiting references

*This place does not cover:*

Link mats	<a href="#">A47G 27/0218</a>
-----------	------------------------------

#### Informative references

*Attention is drawn to the following places, which may be of interest for search:*

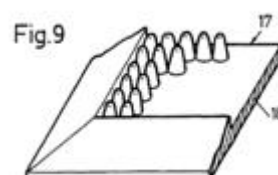
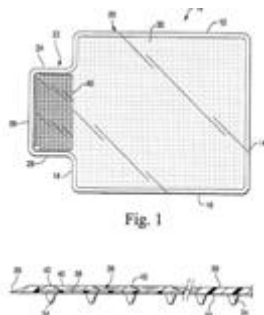
Non-slip mats inside baths or showers	<a href="#">A47K 3/00</a>
---------------------------------------	---------------------------

## A47G 27/0231

{for fighting fatigue ([A47G 27/0218](#) takes precedence)}

### Definition statement

*This place covers:*



## References

### Limiting references

This place does not cover:

Link mats	<a href="#">A47G 27/0218</a>
-----------	------------------------------

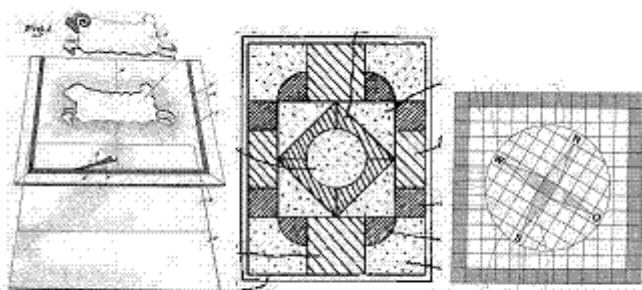
## A47G 27/025

{Modular rugs}

### Definition statement

This place covers:

FIG. 1



GB439611

FR2588210

DE3633941 A1

Rugs (non wall-to-wall carpets) comprised of carpet sections, optionally a surrounding frame or frame sections, and optionally a ground sheet.

## References

### Informative references

Attention is drawn to the following places, which may be of interest for search:

Laying carpet tiles	<a href="#">A47G 27/0475</a>
Modular doormats	<a href="#">A47L 23/266</a>
Flooring of linoleum tiles	<a href="#">E04F 15/10</a>
Parquet on webs	<a href="#">E04F 15/16</a>

## A47G 27/0281

{Resisting skidding or creeping ([A47G 27/0225](#) takes precedence)}

## References

### Limiting references

This place does not cover:

Mats for bathrooms	<a href="#">A47G 27/0225</a>
--------------------	------------------------------



**A47G 27/04**

Carpet fasteners; Carpet-expanding devices {; Laying carpeting; Tools therefor (laying carpeting on stairs [A47G 27/06](#); floor mats for vehicles [B60N 3/04](#); flooring laid as flexible webs [E04F 15/16](#); installation of cables under carpets [H02G 3/00](#))}

**References****Informative references**

Attention is drawn to the following places, which may be of interest for search:

Laying carpeting on stairs	<a href="#">A47G 27/06</a>
Floor mats for vehicles	<a href="#">B60N 3/04</a>
Flooring laid as flexible webs	<a href="#">E04F 15/16</a>
Installation of cables under carpets	<a href="#">H02G 3/00</a>

**A47G 27/0437**

{Laying carpeting, e.g. wall-to-wall carpeting}

**Definition statement**

This place covers:

Methods for installing wall-to-wall carpeting, fitting carpets around edges, hatchways, etc., seaming of carpet webs without seaming strips

**References****Informative references**

Attention is drawn to the following places, which may be of interest for search:

Seaming strips	<a href="#">A47G 27/045</a>
Removing floor carpets	<a href="#">E04G 23/006</a>

**A47G 27/0443**

{using hot-melt adhesives; Irons therefor}

**References****Informative references**

Attention is drawn to the following places, which may be of interest for search:

Joining of plastics, apparatus therefor	<a href="#">B29C 65/00</a>
Adhesive tapes, chemical aspects	<a href="#">C09J 5/00</a>

**A47G 27/045**

{Gripper strips; Seaming strips; Edge retainers ([A47G 27/0443](#) takes precedence)}

**Definition statement**

*This place covers:*

Edging strips fixable to floor

**References****Limiting references**

*This place does not cover:*

Laying carpeting using hot-melt adhesives	<a href="#">A47G 27/0443</a>
---	------------------------------

**Informative references**

*Attention is drawn to the following places, which may be of interest for search:*

Edging strips not fixable to floor	<a href="#">A47G 27/0431</a>
Seaming strips using hot melt adhesive	<a href="#">A47G 27/0443</a>
Seaming strips for linoleum	<a href="#">E04F</a>

**A47G 27/0456**

{combined with skirting-board (skirtings in general [E04F 19/04](#))}

**Definition statement**

*This place covers:*

Skirting boards with means for fixing the carpet (from above)

Tack or gripper strips which involve details of the skirting board (also classified in [A47G 27/0462](#))

Skirting boards covered with carpet

**References****Informative references**

*Attention is drawn to the following places, which may be of interest for search:*

Skirtings in general	<a href="#">E04F 19/04</a>
----------------------	----------------------------

**A47G 27/0462**

{Tack strips for tensioning or seaming}

**References****Informative references**

*Attention is drawn to the following places, which may be of interest for search:*

Tack strips combined with skirting board also classified in	<a href="#">A47G 27/0456</a>
---	------------------------------

**A47G 27/0468****{Underlays; Undercarpets}****Definition statement***This place covers:*

Underlays for wall-to-wall carpeting for e.g. resiliency, to prevent wear applying adhesive (flexible mesh) discharge of static charge

**References****Informative references***Attention is drawn to the following places, which may be of interest for search:*

For mats or rugs	<a href="#">A47G 27/0412</a>
Underlays for textile floor coverings	<a href="#">D06N 7/0089</a>
Floor coverings for discharging static charge	<a href="#">H05F 3/025</a>

**A47G 27/0481****{Connecting means therefor}****Definition statement***This place covers:*

Means for interconnecting carpet tiles e.g. seaming strips (hook-and-loop fastener), zippers, hooks, hinges, sewing.

**References****Informative references***Attention is drawn to the following places, which may be of interest for search:*

Carpet tiles comprising means for interconnecting	<a href="#">A47G 27/0293</a>
Means for connecting carpet webs	<a href="#">A47G 27/045</a>
Mats for gymnastics	<a href="#">A63B 6/00</a>
Carpets for courts	<a href="#">A63C 19/04</a>

**A47G 27/0487****{Tools for laying carpeting ([A47G 27/0443](#) takes precedence)}****References****Limiting references***This place does not cover:*

Irons for laying carpeting using hot-melt adhesives	<a href="#">A47G 27/0443</a>
---	------------------------------

**Informative references**

Attention is drawn to the following places, which may be of interest for search:

Cutters for round holes in carpets	<a href="#">B26B 27/00</a>
Wall paper hanging tools	<a href="#">B44C 7/06</a> , <a href="#">B44C 7/08</a>
Flooring (linoleum, wood) tools	<a href="#">E04F 21/22</a> , <a href="#">E04F 21/20</a>
Carpet removing tools	<a href="#">E04G 23/006</a>

**A47G 27/0493**

{Carpet-expanding devices, e.g. stretchers}

**References****Informative references**

Attention is drawn to the following places, which may be of interest for search:

Frames for stretching drying rugs	<a href="#">D06F 57/00</a> , <a href="#">D06F 59/08</a>
Floor board straightening devices	<a href="#">E04F 21/22</a>

**A47G 27/06**

Stair rods; Stair-rod fasteners (curtain rods [A47H 1/02](#) ); Laying carpeting on stairs (tools therefor [A47G 27/0487](#))

**References****Informative references**

Attention is drawn to the following places, which may be of interest for search:

Tools for laying carpeting on stairs	<a href="#">A47G 27/0487</a>
Curtain rods	<a href="#">A47H 1/02</a> )
Protecting means for edges, corners or nose of steps	<a href="#">E04F 11/16</a>

**A47G 29/00**

Supports, holders, or containers for household use, not provided for in groups [A47G 1/00](#)-[A47G 27/00](#) or [A47G 33/00](#) (for fastening kitchen utensils [A47J 45/00](#); for drying towels [A47K 10/04](#); stands, racks or the like for airing beds, garments or the like, clothes, drying devices [D06F 57/00](#))

**Definition statement**

This place covers:

Household or hotel supports, holders, or containers when not provided otherwise.

**Relationships with other classification places**

- Kitchen supports, holders or containers are to be classified in the appropriate groups of subclass [A47J](#),

## Relationships with other classification places

- Shop supports, holders or containers are to be classified in the appropriate groups of subclass [A47E](#),
- Bathroom supports, holders or containers are to be classified in the appropriate groups of subclass [A47K](#),
- Furniture is to be classified in the appropriate groups of subclasses [A47B](#) or [A47C](#),
- Cleaning supports, holders or containers are to be classified in the appropriate groups of subclass [A47L](#),
- Supports, holders or containers otherwise provided for e.g. heating/cooling supports, holders or containers are to be classified in the appropriate groups of classes [F24](#) or [F25](#),
- Building supports, holders or containers are to be classified in the appropriate groups of subclass [E04F](#),
- Supports, holders or containers for games are to be classified in the appropriate groups of class [A63F](#),
- Supports, holders or containers for toys are to be classified in the appropriate groups of subclass [A63H](#),
- Electrical supports, holders or containers, for example lighting supports, holders, or containers, are to be classified in the appropriate groups of subclass [F21V](#),
- Electric heating supports, holders or containers are to be classified in the appropriate groups of subclass [H05B](#),
- Supports, holders or containers for musical instruments are to be classified in the appropriate groups of class [G10](#),
- Supports for radio/television/telephone sets are to be classified in the appropriate groups of subclasses [A47B](#) or [F16M](#),
- Holders for radio/television/telephone sets are to be classified in the appropriate groups of class [H04](#),
- Containers for radio/television/telephone sets are to be classified in the appropriate groups of subclasses [H05K](#) or [B65D](#).

## References

### Informative references

Attention is drawn to the following places, which may be of interest for search:

Devices for fastening kitchen utensils	<a href="#">A47J 45/00</a>
Supports for drying towels	<a href="#">A47K 10/04</a>
Stands, racks, or the like for airing beds, garments, or the like, clothes, drying devices	<a href="#">D06F 57/00</a>

### Special rules of classification

References [A47J 45/00](#), [A47K 10/04](#) and [D06F 57/00](#) are non-limiting in the group [A47G 29/00](#). CPC will be updated/corrected once this inconsistency is resolved in IPC.

## A47G 29/06

### Paper baskets (refuse receptacles [B65F 1/00](#))

## References

### Informative references

Attention is drawn to the following places, which may be of interest for search:

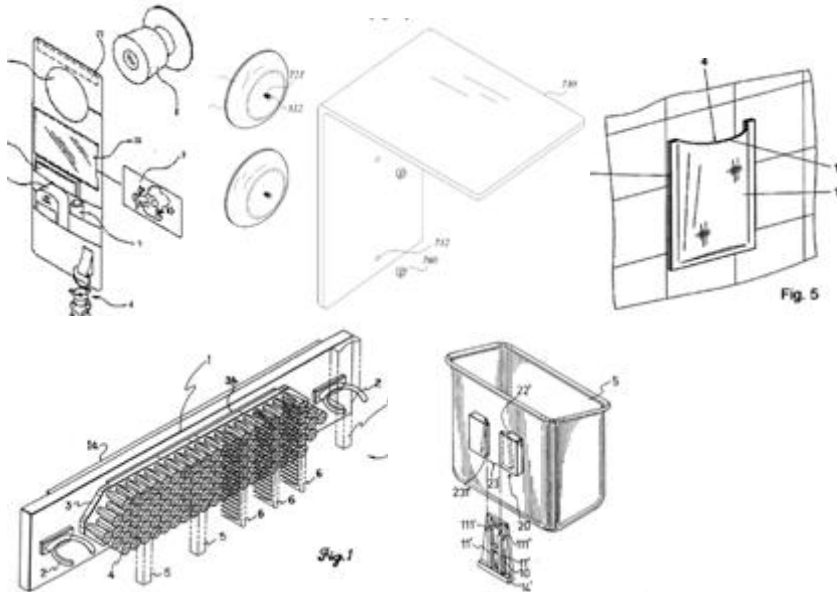
Refuse receptacles	<a href="#">B65F 1/00</a>
--------------------	---------------------------

**A47G 29/08**

Holders for articles of personal use in general, e.g. brushes

**Definition statement**

*This place covers:*

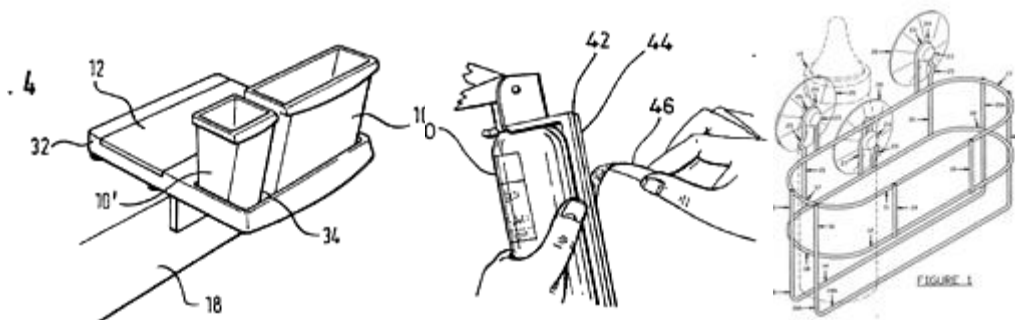
**A47G 29/087**

Devices for fastening household utensils, or the like, to tables, walls, or the like (for kitchen utensils [A47J 45/02](#))

**Definition statement**

*This place covers:*

Illustrative example of subject matter classified in this group.

**References****Informative references**

*Attention is drawn to the following places, which may be of interest for search:*

Devices for fastening kitchen utensils, or the like, to tables, walls, or the like	<a href="#">A47J 45/02</a>
--	----------------------------

## A47G 29/10

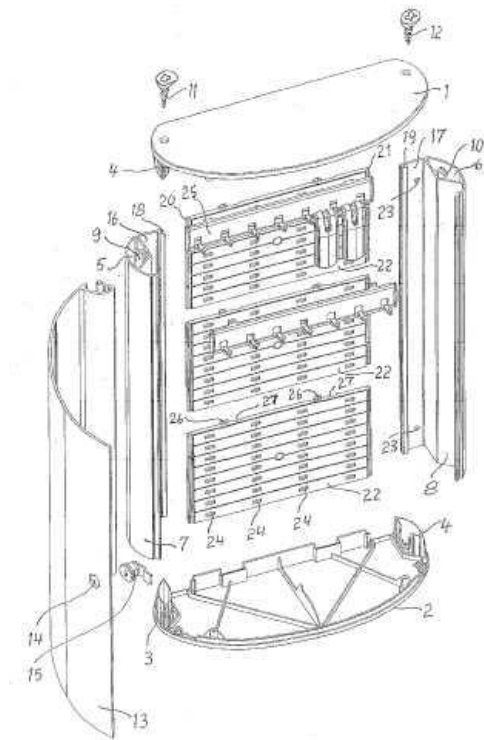
### Key holders; Key boards (key cases [A45C 11/32](#))

#### Definition statement

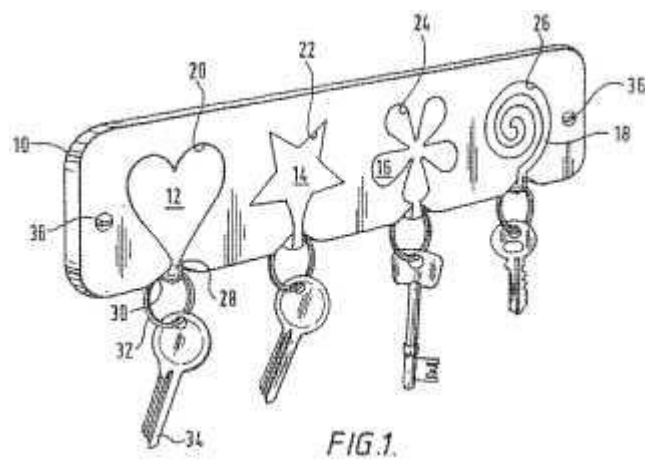
*This place covers:*

Key boards, key racks for suspending one or in general more keys with or without a key ring for personal use.

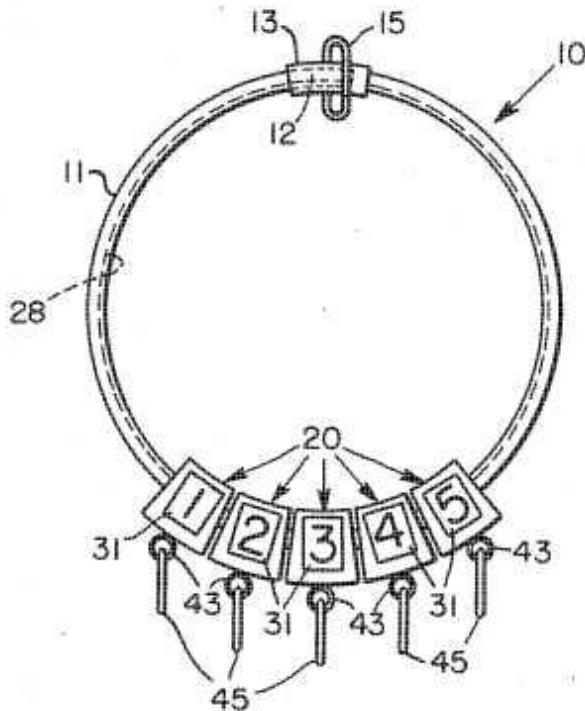
EP1659907



GB2363707



US4133195



**References**

**Limiting references**

*This place does not cover:*

Bags or wallets for keys	<a href="#">A45C 11/32</a>
--------------------------	----------------------------

**Informative references**

*Attention is drawn to the following places, which may be of interest for search:*

Key rings	<a href="#">A44B 15/00</a>
Display stands for keys	<a href="#">A47F 5/00</a> , e.g. <a href="#">A47F 5/0861</a>
Keys	<a href="#">E05B 19/00</a>

**A47G 29/12**

**Mail or newspaper receptacles, e.g. letter-boxes; Openings in doors or the like for delivering mail or newspapers ([A47G 29/14](#) takes precedence {; for desktop use [B42F 7/10](#)}; chutes for mail in buildings [B65G 11/04](#))**

**Definition statement**

*This place covers:*

Receptacles or openings for receiving letters and/or newspapers; accessories therefor, e.g. mail pouches fixed behind opening, letter retaining clips



## References

### Limiting references

*This place does not cover:*

Deposit receptacles for food, e.g. breakfast, milk, or large parcels; Similar receptacles for food or large parcels with appliances for preventing unauthorised removal of the deposited articles, i.e. food or large parcels	<a href="#">A47G 29/14</a>
Mail receptacles for desktop use	<a href="#">B42F 7/10</a>
Chutes for mail in buildings	<a href="#">B65G 11/04</a>

### Informative references

*Attention is drawn to the following places, which may be of interest for search:*

Receptacles for receiving food, packages and/or internet purchased goods	<a href="#">A47G 29/14</a>
Sorting of mail	<a href="#">B07C</a>
Bank deposits, safes, counters	<a href="#">E05G 7/00</a>
Coin freed apparatuses	<a href="#">G07F 17/00</a>
Alarms, signalling devices in general	<a href="#">G08B</a>
Advertising on letterboxes	<a href="#">G09F 23/00</a>

## A47G 29/1201

### {Letter-box assemblies for apartment buildings}

#### Definition statement

*This place covers:*

Letter-box assemblies, modular letter-boxes, letter-boxes intended to be stacked (even when not explicitly stated, e.g. having free side walls), assemblies of rural (US-type) letter-boxes e.g. with a single pedestal, and parts, details or accessories (not [A47G 29/122](#) - [A47G 29/126](#)).

## References

### Informative references

*Attention is drawn to the following places, which may be of interest for search:*

Arrays of post-office boxes	<a href="#">A47G 29/1218</a>
-----------------------------	------------------------------

## A47G 29/1203

### {Newspaper receptacles}

#### Definition statement

*This place covers:*

Receptacles or the like specially adapted for receiving delivered newspapers

Attachments to letter-boxes specially adapted for receiving delivered newspapers

Clips for fixing a newspaper e.g. to the front door US4335864, to a post US4138055

Devices for attaching a newspaper receptacle to a letter-box

Parts, details, or accessories, e.g. signalling devices

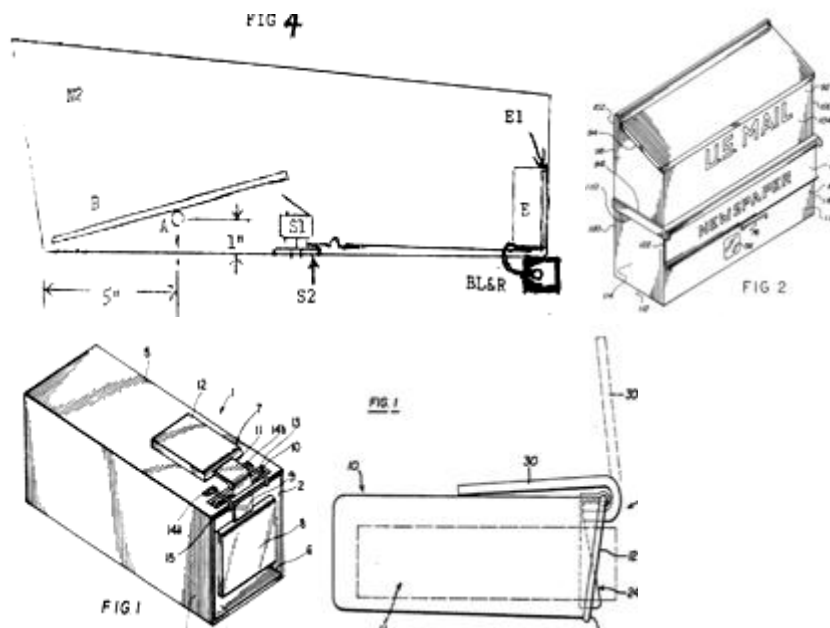
## A47G 29/1205

{Signalling devices}

### Definition statement

*This place covers:*

Illustrative example of subject matter classified in this group.



## A47G 29/1207

{for posting letters (combined with franking apparatus [G07B 17/00](#))}

### Definition statement

*This place covers:*

Official PTT boxes, e.g. street pillar boxes for posting letters.

Parts, details, or accessories adapted to the official rather than home use e.g.

indication of collection time, to facilitate mail collection (emptying),

letter sorting, counting (DE43417), anti-theft, tamper-proof, rain-proof,

mail transfer to PO (US2900046).

### References

#### Limiting references

*This place does not cover:*

Combined with franking apparatus	<a href="#">G07B 17/00</a>
----------------------------------	----------------------------

**Informative references**

Attention is drawn to the following places, which may be of interest for search:

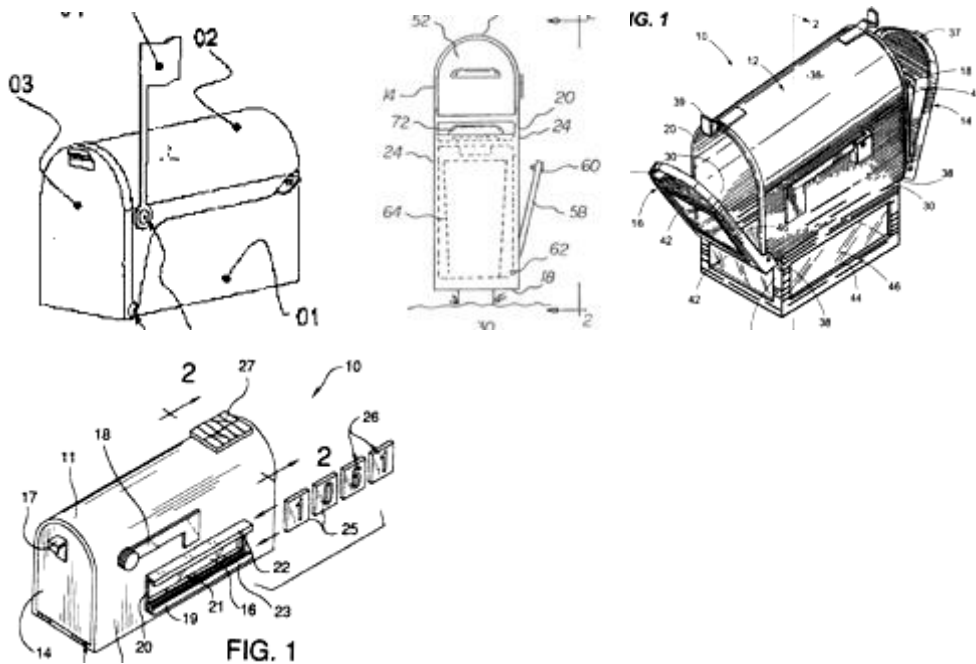
Boxes for receiving parcels	<a href="#">A47G 29/14</a>
Sorting mail	<a href="#">B07C</a>
Advertising on letter-boxes	<a href="#">G09F 23/00</a>

**A47G 29/1209**

{Rural letter-boxes}

**Definition statement**

This place covers:



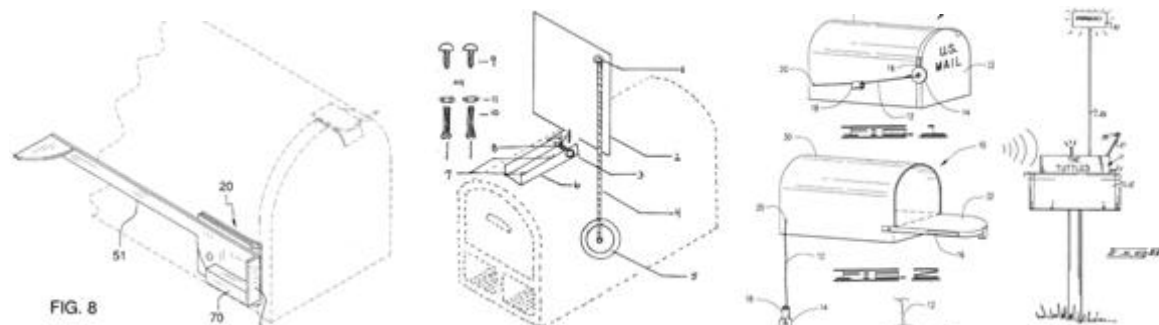
**A47G 29/121**

{Signalling devices}

**Definition statement**

This place covers:

Illustrative example of subject matter classified in this group.



## A47G 29/122

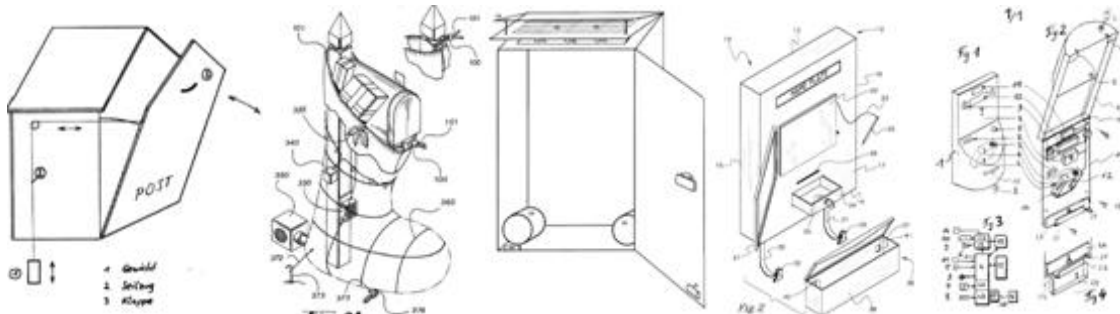
Parts, details, or accessories, e.g. signalling devices, lamps, devices for leaving messages {([A47G 29/1201](#) - [A47G 29/1218](#) take precedence)}

### Definition statement

*This place covers:*

Not 'e.g.' but restricted to:

- lamps,
- devices for leaving messages (paper rolls, bloc notes, cassette recorder US4291342),
- devices against vandalism e.g. fire preventing/extinguishing means,
- (transparent) window to view contents,
- signalling devices,
- otherwise [A47G 29/12](#).



### References

#### Limiting references

*This place does not cover:*

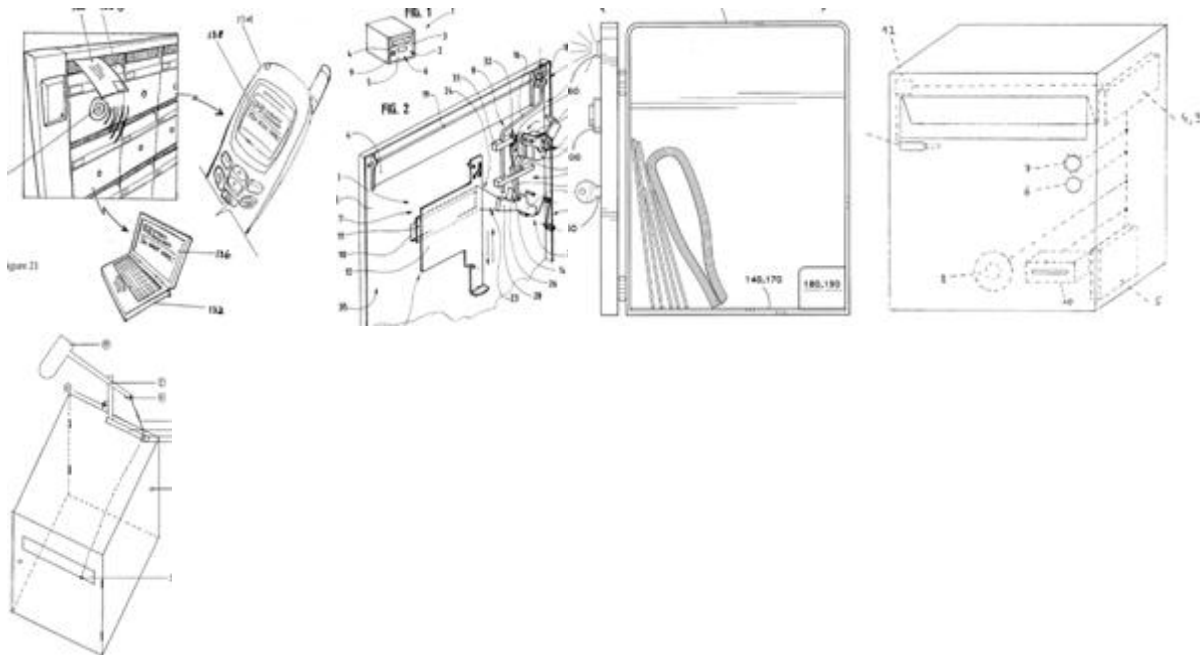
Parts, details, or accessories of letter-box assemblies for apartment buildings, of newspaper receptacles, of letter-boxes for posting letters, of rural letter-boxes, or of Post Office boxes
--

<a href="#">A47G 29/1201</a> - <a href="#">A47G 29/1218</a>
--

**A47G 29/1225****{Signalling devices}****Definition statement**

*This place covers:*

Illustrative example of subject matter classified in this group.

**A47G 29/124****Appliances to prevent unauthorised removal of contents****Definition statement**

*This place covers:*

Letter flap (b)locking devices

Devices pulling mail inside the house

Devices against lifting of mail

One-way slots

Mail guiding means

Preventing theft of the letter flap

Etc.

**References****Informative references**

*Attention is drawn to the following places, which may be of interest for search:*

Mounting of letter-boxes to/in a wall	<a href="#">A47G 29/12</a>
---------------------------------------	----------------------------

From letter-boxes in apartment blocks	<a href="#">A47G 29/1201</a>
From official letter-boxes	<a href="#">A47G 29/1207</a>
From rural letter-boxes	<a href="#">A47G 29/1209</a>
Alarms for detecting opening of letter-box	<a href="#">A47G 29/1225</a> , <a href="#">A47G 29/121</a>
Letter flaps	<a href="#">A47G 29/126</a>

## A47G 29/126

### Lids for access slits

#### Definition statement

*This place covers:*

Means for fixing to a door or the like to prevent ingress of rain water

to prevent draught spring biasing means combined with door knocker (mainly GB doc's) etc.

#### References

##### Informative references

*Attention is drawn to the following places, which may be of interest for search:*

Specially adapted for letter-box arrays	<a href="#">A47G 29/1201</a>
In combination with signalling means	<a href="#">A47G 29/1225</a> , <a href="#">A47G 29/121</a>
Letter flap (b)locking means, means preventing removal of e.g. one-way flaps	<a href="#">A47G 29/124</a>

## A47G 33/00

### Religious or ritual equipment in dwelling or for general use

#### References

##### Informative references

*Attention is drawn to the following places, which may be of interest for search:*

Rosaries	<a href="#">A44C 23/00</a>
Crosses, crucifixes for personal wear	<a href="#">A44C 25/00</a>

## A47G 33/004

{Trophies (medals [A44C 3/00](#); mounting of hunting trophies [B44C 5/02](#))}

#### References

##### Informative references

*Attention is drawn to the following places, which may be of interest for search:*

Medals	<a href="#">A44C 3/00</a>
--------	---------------------------

Mounting of hunting trophies	<a href="#">B44C 5/02</a>
------------------------------	---------------------------

## A47G 33/02

### Altars; Religious shrines; Fonts for holy water; Crucifixes

#### References

##### *Informative references*

*Attention is drawn to the following places, which may be of interest for search:*

Crucifixes for personal wear	<a href="#">A44C 25/00</a>
------------------------------	----------------------------

## A47G 33/04

**Christmas trees (lighting devices therefor [F21S](#) {; string lighting [F21S 4/00](#); electric candles [F21S 10/04](#)}; candle holders [F21V 35/00](#) {; light guides for lighting systems [G02B 6/00](#)})**

#### Definition statement

*This place covers:*

Devices related to Christmas trees e.g.

devices for attaching a wooden branch to a Christmas tree

decorative covers and fences for Christmas tree stands

devices for vibrating a Christmas tree

fire extinguishers, smoke detectors especially for Christmas trees

Christmas sock or stocking holders

#### References

##### *Informative references*

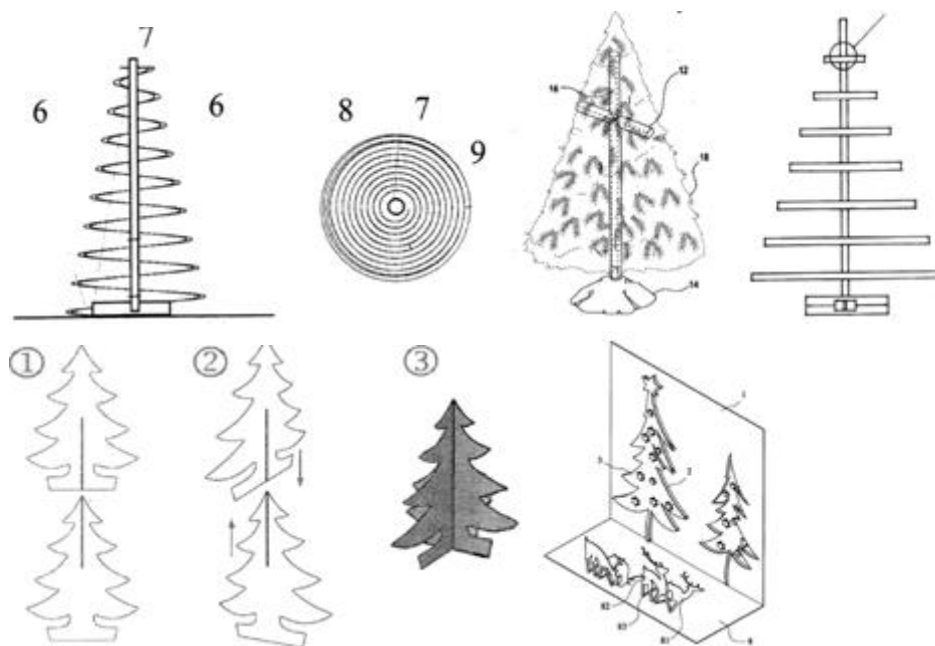
*Attention is drawn to the following places, which may be of interest for search:*

Devices for attaching an artificial branch to an artificial Christmas tree	<a href="#">A47G 33/06</a>
Lighting devices therefor	<a href="#">F21S</a>
String lighting systems	<a href="#">F21S 4/00</a>
Electric candles	<a href="#">F21S 10/04</a>
Candle holders	<a href="#">F21V 35/00</a>
Light guides for lighting systems	<a href="#">G02B 6/00</a>

**A47G 33/06****Artificial Christmas trees****Definition statement**

*This place covers:*

Illustrative example of subject matter classified in this group.

**A47G 33/0809**

{involving motion}

**Definition statement**

*This place covers:*

Motion includes moving bubbles in (boiling) liquid and moving light rays.

**A47G 33/0818**

{specially adapted for emitting sound}

**Definition statement**

*This place covers:*

Examples:

bells when able to produce sound

ornaments comprising a music box

bell hammers rotating by hot air current.

**Special rules of classification**

When also motion e.g. rotational then also [A47G 33/0809](#).



**A47G 33/0836**

{comprising means for attaching to a lamp or candle holder, e.g. reflectors, lamp shades}

**Definition statement**

*This place covers:*

Ornamental shades, reflectors or the like intended to be directly attached to a lamp or lamp holder or a light string.

**A47G 33/0845**

{Artificial snow, ice or icicles}

**Definition statement**

*This place covers:*

Flocking devices, compositions, icicle shaped decorations, no tinsels.

**A47G 33/0854**

{comprising fragrance releasing means}

**References****Informative references**

*Attention is drawn to the following places, which may be of interest for search:*

Scent emitting ornaments see also	<a href="#">A61L 9/12</a> , <a href="#">A61L 9/03</a>
-----------------------------------	---

**A47G 33/12**

Christmas tree stands {(sockets or holders for poles or posts [E04H 12/2238](#))}

**References****Informative references**

*Attention is drawn to the following places, which may be of interest for search:*

Sockets or holders for poles or posts	<a href="#">E04H 12/2238</a>
---------------------------------------	------------------------------

**A47G 35/00**

Other dwelling equipment

**References****Informative references**

*Attention is drawn to the following places, which may be of interest for search:*

Jewellery	<a href="#">A44C</a>
Furniture	<a href="#">A47B</a>
Devices actuated by air currents	<a href="#">A63H 33/40</a>

Decorative arts	<a href="#">B44</a>
-----------------	---------------------

**Special rules of classification**

Not in use