

A47C

CHAIRS; SOFAS; BEDS

References

Application-oriented references

Examples of places where the subject matter of this place is covered when specially adapted, used for a particular purpose, or incorporated in a larger system:

Seats adapted for angling, e.g. fisherman's seats	A01K 97/22
Hunting stands, e.g. hunting seats	A01M 31/02
Tables; Desks; Cabinets in general	A47B
Children's furniture	A47D
Bed-covers; Counterpanes; Travelling rugs; Sleeping rugs; Sleeping bags; Pillows	A47G 9/00
Bath seats	A47K 3/12
Shower seats	A47K 3/282
Chairs with toilet means	A47K 11/04
Chairs for disabled persons	A61G 5/00
Medical beds	A61G 7/00
Operating chairs, dental chairs, physiotherapeutic chairs, gynaecological chairs	A61G 15/00
Beds with massage means	A61H 2201/0142
Mattresses with massage means	A61H 2201/0146
Chairs with massage means	A61H 2201/0149
Producing upholstery articles, e.g. cushions, seats	B29D 99/0092
Seats specially adapted for vehicles	B60N 2/00
Sleeping accommodation for caravans	B60P 3/38
Ski-lift seats	B61B 12/002
Sleeping accommodation for rail vehicles	B61D 31/00
Rail vehicles seats	B61D 33/00
Sleeping accommodation for load-carrying vehicles	B62D 33/0612
Vessel furniture, e.g. boat seats	B63B 29/04
Berths for vessels	B63B 29/10
Aircraft seats	B64D 11/06

Informative references

Attention is drawn to the following places, which may be of interest for search:

Production of upholstery by moulding	B29L 2031/58
Production of mattresses or cushions by moulding	B29L 2031/751
Production of seats by moulding	B29L 2031/771
Upholstery in general	B68G

Jointing of furniture	F16B 12/00
Testing of furniture, e.g. seats or mattresses	G01M 99/001

A47C 1/00

Chairs adapted for special purposes (chairs or personal conveyances specially adapted for patients or disabled persons, e.g. wheelchairs, [A61G 5/00](#); operating chairs or dental chairs [A61G 15/00](#))

References

Limiting references

This place does not cover:

Chairs or personal conveyances specially adapted for patients or disabled persons, e.g. wheelchairs	A61G 5/00
Operating chairs or dental chairs	A61G 15/00

Application-oriented references

Examples of places where the subject matter of this place is covered when specially adapted, used for a particular purpose, or incorporated in a larger system:

Seats adapted for angling, e.g. fisherman's seats	A01K 97/22
Hunting stands, e.g. hunting seats	A01M 31/02
Bath seats	A47K 3/12
Shower seats	A47K 3/282
Chairs with toilet means	A47K 11/04
Seats for surgeons or dentists	A61B 90/60
Chairs with massage means	A61H 2201/0149
Exercising apparatus combined with chairs	A63B 21/16
Seats specially adapted for vehicles	B60N 2/00
Ski-lift seats	B61B 12/002
Rail vehicles seats	B61D 33/00
Vessel furniture, e.g. boat seats	B63B 29/04
Aircraft seats	B64D 11/06

Informative references

Attention is drawn to the following places, which may be of interest for search:

Chairs characterised by structural features	A47C 3/00
Features relating to vertical adjustability	A47C 3/20
Foldable, collapsible or dismountable chairs	A47C 4/00
Chairs of special materials	A47C 5/00
Part, details or accessories of chairs	A47C 7/00
Stools for specified purposes	A47C 9/00

Benches	A47C 11/00
Convertible chairs	A47C 13/00
Other seating furniture	A47C 15/00
Seating furniture for specified purposes not covered by main groups A47C 1/00 or A47C 9/00	A47C 15/004
Sofas, couches, settees, or the like, without movable parts	A47C 17/02
Sofas, couches, settees, or the like, with movable parts	A47C 17/04
Ambulance aspects of vehicles; Vehicles with special provisions for transporting patients or disabled persons, or their personal conveyances, e.g. for facilitating access of, or for loading, wheelchairs	A61G 3/00
Seats for railway vehicles	B61D 33/00
Furniture specially adapted for vessels	B63B 29/04
Arrangements or adaptations of seats in aircraft	B64D 11/06

A47C 1/02

Reclining or easy chairs

References

Informative references

Attention is drawn to the following places, which may be of interest for search:

Supports for the head or the back	A47C 7/36
Supports for the feet or legs	A47C 7/50
Supports for the arms	A47C 7/54

A47C 1/022

having independently-adjustable supporting parts

Definition statement

This place covers:

Chairs having independently-adjustable supporting parts, e.g. having independently-adjustable backrest, backrest-seat-unit or arm-rest

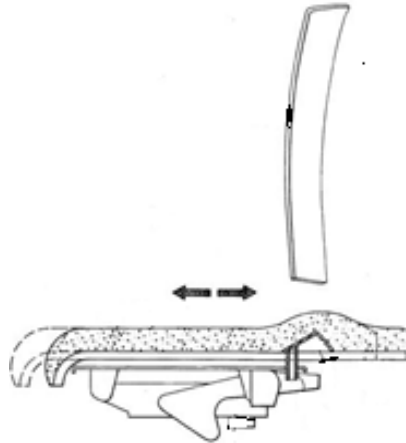
A47C 1/023

the parts being horizontally-adjustable seats {; Expandable seats or the like, e.g. seats with horizontally adjustable parts}

Definition statement

This place covers:

Seats having seating depth adjustment by horizontal adjustment of the seat or by horizontal



movement of the backrest.

References

Application-oriented references

Examples of places where the subject matter of this place is covered when specially adapted, used for a particular purpose, or incorporated in a larger system:

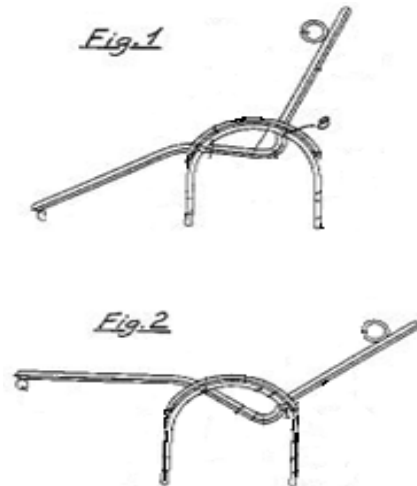
Chairs for disabled persons having adjustable depth seats	A61G 5/1064
Adjustable vehicles seat-cushion length	B60N 2/0284

A47C 1/024

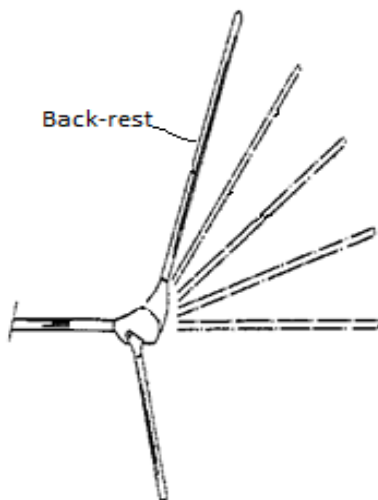
the parts, being the back-rest, or the back-rest and seat unit, having adjustable {and lockable} inclination

Definition statement

This place covers:



Illustrative examples of subject matter classified in this group:



References

Application-oriented references

Examples of places where the subject matter of this place is covered when specially adapted, used for a particular purpose, or incorporated in a larger system:

Adjustable children's chairs	A47D 1/002
Vehicle seats with adjustable backrest	B60N 2/22

Informative references

Attention is drawn to the following places, which may be of interest for search:

Chairs having movably-coupled adjustable seat and backrest	A47C 1/032
--	----------------------------

Chairs having adjustable leg-rest or foot-rest connected to movable backrest or backrest-seat-unit	A47C 1/0342
Rocking chairs with central column and with backrest-seat-unit elastically mounted in a ridged frame	A47C 3/026
Chairs with elastically-mounted backrest or backrest-seat-unit in the base frame	A47C 7/44
Seating furniture convertible to bed by tilting or pivoting the back-rest	A47C 17/16

Glossary of terms

In this place, the following terms or expressions are used with the meaning indicated:

Backrest-seat-unit	backrest and a seat permanently connected to each other
--------------------	---

A47C 1/028

for changing a straight chair into an easy chair {, e.g. by inverting or tilting seat and back-rest in the base frame or by overturning the whole chair}

Definition statement

This place covers:

Chairs convertible from a straight chair into an easy chair, e.g. by inverting or tilting seat and back-rest in the base frame or by overturning the whole chair

References

Application-oriented references

Examples of places where the subject matter of this place is covered when specially adapted, used for a particular purpose, or incorporated in a larger system:

Children's chairs convertible from high chair to low chair by reversing	A47D 1/04
---	---------------------------

Informative references

Attention is drawn to the following places, which may be of interest for search:

Chair or stool bases for uneven surfaces	A47C 7/008
Standing-up or seating -down aids	A61G 5/14

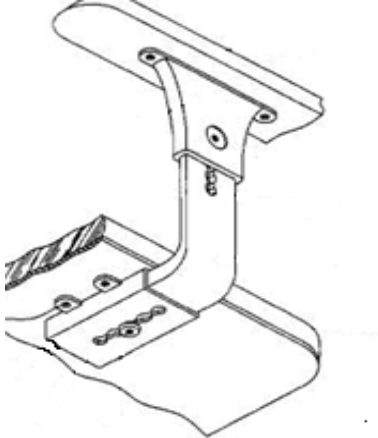
A47C 1/03

the parts being arm-rests {(conversion into a bed [A47C 17/12](#))}

Definition statement

This place covers:

Adjustable armrests adaptable to suitable arm position or to the size of the user



References

Limiting references

This place does not cover:

Sofas convertible to bed by tilting or extending the armrests	A47C 17/12
---	----------------------------

Application-oriented references

Examples of places where the subject matter of this place is covered when specially adapted, used for a particular purpose, or incorporated in a larger system:

Armrest for disabled persons' chairs	A61G 5/125
Armrest for vehicles seats	B60N 2/75

Informative references

Attention is drawn to the following places, which may be of interest for search:

Arm supports for non-reclining and non-easy chairs	A47C 7/54
Chairs with armrest tables	A47C 7/68
Sofa convertible to bed by tilting or pivoting a backrest with tilting or pivoting the armrest	A47C 17/18

A47C 1/031

having coupled {concurrently} adjustable supporting parts

Definition statement

This place covers:

Chairs having coupled simultaneously movable support parts with adjustable inclination, e.g. backrest-seat-coupled, leg-rest-seat-coupled, headrest-backrest-coupled.

The movements between the parts is concurrent, in that both move simultaneously.

Glossary of terms

In this place, the following terms or expressions are used with the meaning indicated:

Movably-coupled parts	movement of one part, e.g. seat causes the different movement of the other coupled part e.g. backrest
-----------------------	---

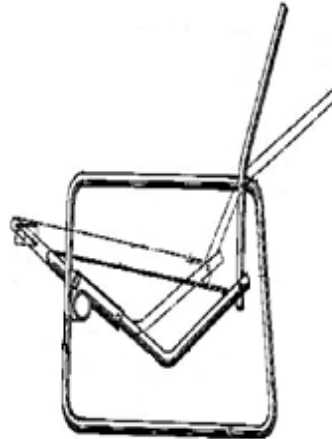
A47C 1/032

the parts being movably-coupled seat and back-rest ([A47C 1/035](#) takes precedence)

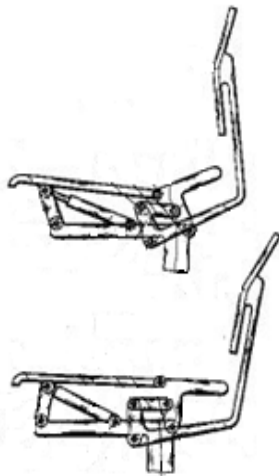
Definition statement

This place covers:

Chairs having coupled simultaneously movable seat and back-rest; having adjustable and lockable



inclination; characterised by elastic means, e.g. coil spring.



Definition statement



References

Limiting references

This place does not cover:

Chairs having adjustable leg-rest or foot-rest connected to movable-coupled seat and backrest	A47C 1/035
---	----------------------------

Application-oriented references

Examples of places where the subject matter of this place is covered when specially adapted, used for a particular purpose, or incorporated in a larger system:

Adjustable children's chairs	A47D 1/002
Vehicle seats with adjustable backrest	B60N 2/22

Informative references

Attention is drawn to the following places, which may be of interest for search:

Chairs having independently-adjustable supporting parts, e.g. having independently-adjustable backrest, backrest-seat-unit	A47C 1/022
Rocking office chairs with central column having seat or seat and backrest unit elastically or pivotally mounted in a rigid base frame	A47C 3/026
Chairs with elastically-mounted backrest or backrest-seat-unit in the base frame	A47C 7/44
Adjustable children's chairs	A47D 1/002
Vehicle seats with adjustable backrest	B60N 2/22

A47C 1/03255**{with a central column, e.g. rocking office chairs}****References****Informative references***Attention is drawn to the following places, which may be of interest for search:*

Seat and back-rest not movably coupled	A47C 3/026
--	----------------------------

A47C 1/03266**{with adjustable elasticity}****Special rules of classification**

Applications classified here that use elastic components must also be classified under the type of spring used.

A47C 1/034**the parts including a leg-rest or foot-rest ([A47C 1/037](#) takes precedence)****Definition statement***This place covers:*

Chairs having leg-rest or foot-rest coupled to other parts of the chair, e.g. backrest or seat, wherein their movement is simultaneous.

References**Limiting references***This place does not cover:*

Chairs having adjustable leg-rest or foot-rest in combination with head-rest	A47C 1/037
--	----------------------------

Application-oriented references

Examples of places where the subject matter of this place is covered when specially adapted, used for a particular purpose, or incorporated in a larger system:

Leg-rests or foot-rests for disabled persons chairs	A61G 5/127 , A61G 5/128
Lower-leg-rests for vehicles, e.g. calf-rests	B60N 2/995
Foot-rests for vehicle seats	B60N 3/06

Informative references*Attention is drawn to the following places, which may be of interest for search:*

Supports for the feet or the legs coupled to non-movable parts of the chair	A47C 7/50
Stand-alone footrests or leg-rest	A47C 16/02

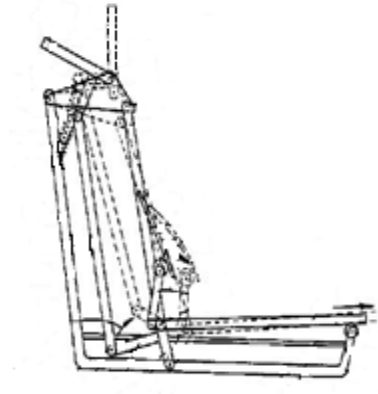
A47C 1/036

the parts including a head-rest

Definition statement

This place covers:

Chairs having head-rest coupled to other movable parts of the chair, e.g. movable backrest or seat,



wherein their movement is simultaneous.

References

Application-oriented references

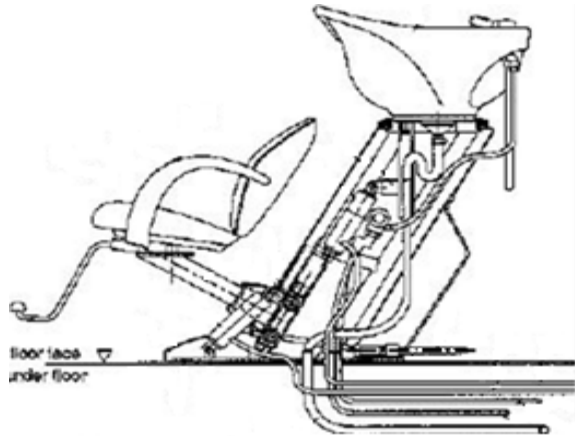
Examples of places where the subject matter of this place is covered when specially adapted, used for a particular purpose, or incorporated in a larger system:

Head-rests for disabled persons' chairs	A61G 5/121
Head rest for operating or dental chairs	A61G 15/125
Head-rests for vehicle seats	B60N 2/80

Informative references

Attention is drawn to the following places, which may be of interest for search:

Beauty salon chairs with head-rests	A47C 1/10
Head-rests connected to non-movable parts of the chair	A47C 7/38

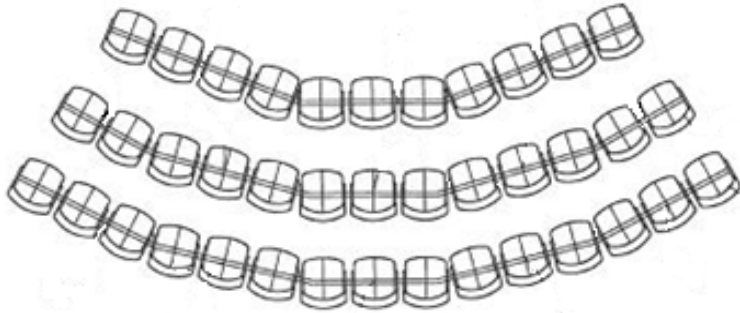
A47C 1/04**Hairdressers' or similar chairs {, e.g. beauty salon chairs}****Definition statement***This place covers:***A47C 1/08****with auxiliary seats****References*****Informative references****Attention is drawn to the following places, which may be of interest for search:*

Hairdressers' or similar chairs with auxiliary seats for children	A47C 1/11
---	---------------------------

A47C 1/12**Theatre, auditorium or similar chairs (detachable seats for mounting on stadium benches [A47C 1/16](#))****Definition statement***This place covers:*

Chairs used in theatres, auditoriums or stadiums.

Illustrative example of subject matter classified in this place:



References

Limiting references

This place does not cover:

Detachable seats for mounting on stadium benches	A47C 1/16
--	---------------------------

Informative references

Attention is drawn to the following places, which may be of interest for search:

Stackable chairs or nesting chairs	A47C 3/04
Parts or details of tipping-up chairs, e.g. of theatre chairs	A47C 7/56
Benches	A47C 11/00
Modular seating	A47C 13/005
Tribunes, grandstands or terraces for spectators	E04H 3/12
Constructional features of auditoriums	E04H 3/30
Coin-freed apparatus for seats or footstools	G07F 17/08

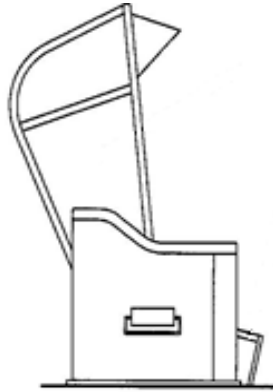
A47C 1/14

Beach chairs {; Chairs for outdoor use, e.g. chairs for relaxation or sun-tanning}

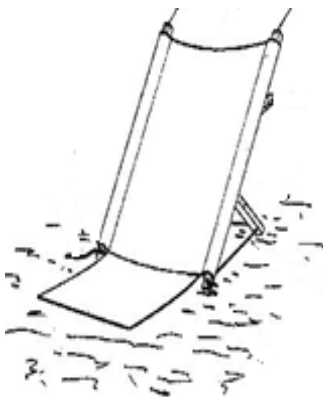
Definition statement

This place covers:

Chairs designed for relaxation and outdoor use, e.g. beach chairs, relaxation chairs, sun-tanning



chairs or chaise lounges.



References

Informative references

Attention is drawn to the following places, which may be of interest for search:

Chairs with means to protect against weather	A47C 7/66
Camp, travelling, or sports stools	A47C 9/10

Stand-alone backrests without connected seat	A47C 16/005
Travelling and camp beds	A47C 17/64

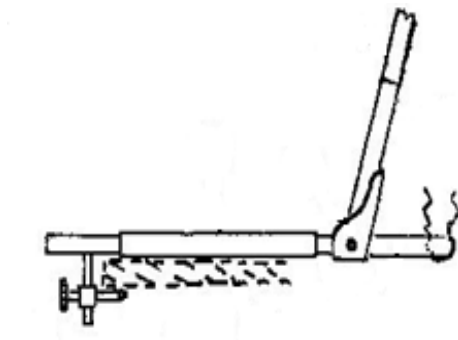
A47C 1/16

Seats detachably mounted on stadium benches

Definition statement

This place covers:

Illustrative example of subject matter classified in this place:



References

Informative references

Attention is drawn to the following places, which may be of interest for search:

Theatre, auditorium or similar chairs	A47C 1/12
Detachable or loose seat cushions	A47C 7/021
Children's chairs capable of being suspended from, or attached to, tables or other articles	A47D 1/10

A47C 3/00

Chairs characterised by structural features; Chairs or stools with rotatable or vertically-adjustable seats ([A47C 1/00](#), [A47C 4/00](#) take precedence)

Definition statement

This place covers:

Rocking, stackable, nesting, shell shaped, of asymmetric shape and legless chairs; Chairs or stools with rotatable or vertically-adjustable seats

References

Limiting references

This place does not cover:

Foldable, collapsible or dismountable chairs	A47C 4/00
Chairs adapted for special purposes	A41C 1/00

A47C 3/02

Rocking chairs

Definition statement

This place covers:

Rocking chairs having elastic frame, having seat elastically or pivotally mounted in a rigid base frame or having a curved rocking member resting on the floor.

References

Application-oriented references

Examples of places where the subject matter of this place is covered when specially adapted, used for a particular purpose, or incorporated in a larger system:

Rocking chairs specially adapted for children	A47D 13/10
---	----------------------------

Informative references

Attention is drawn to the following places, which may be of interest for search:

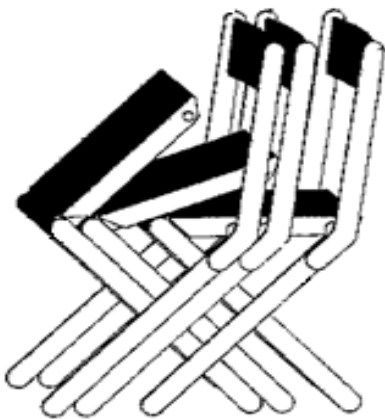
Elastically mounted seats	A47C 7/14
Chairs with elastically-mounted backrest or backrest-seat-unit in the base frame	A47C 7/44
Stools with exercising means	A47C 9/002
Beds with oscillating or balancing mechanisms	A47C 21/006
Small beds for newborns or infants with rocking means	A47D 9/02
Swings in general	A63G 9/00
Rocking horses	A63G 15/00
Devices for rocking or oscillating perambulators	B62B 9/22

A47C 3/04

Stackable chairs; Nesting chairs

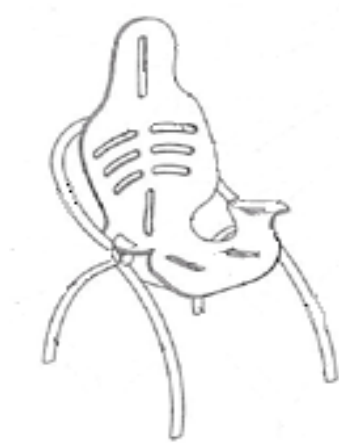
Definition statement

This place covers:



A47C 3/12**with shell-shape seat and back-rest unit, e.g. having arm rests****Definition statement***This place covers:*

Chairs having backrest-seat-unit made of one continuous element, e.g. plastic shell

**References****Application-oriented references**

Examples of places where the subject matter of this place is covered when specially adapted, used for a particular purpose, or incorporated in a larger system:

Shell shaped bus seats	B60N 2/242
------------------------	----------------------------

Informative references

Attention is drawn to the following places, which may be of interest for search:

Basket chairs	A47C 5/02
Chairs made of plastic	A47C 5/12

A47C 3/14

of asymmetrical shape

Definition statement

This place covers:

Chairs asymmetrical with regard to a central vertical plane.



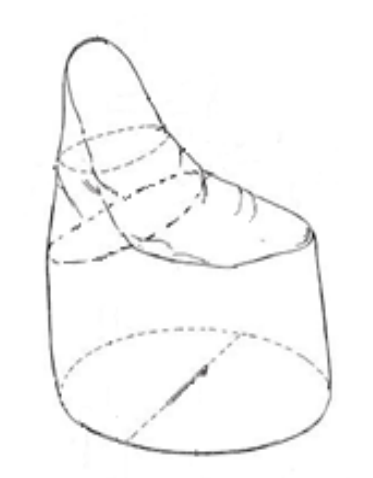
A47C 3/16

of legless type, e.g. with seat directly resting on the floor ([A47C 3/14](#) takes precedence); Hassocks; Pouffes

Definition statement

This place covers:

Illustrative example of subject matter classified in this place:



References

Limiting references

This place does not cover:

Chairs characterised by structural features and chairs or stools with rotatable or vertically-adjustable seats of asymmetrical shape	A47C 3/14
--	---------------------------

Application-oriented references

Examples of places where the subject matter of this place is covered when specially adapted, used for a particular purpose, or incorporated in a larger system:

Children's chairs mounted on back-rest of chair	A47D 1/10
---	---------------------------

Informative references

Attention is drawn to the following places, which may be of interest for search:

Legless beach chairs	A47C 1/146
Seats detachably mounted on stadium benches	A47C 1/16
Inflatable chairs	A47C 4/54
Chairs completely made of foam material	A47C 5/125
Stools for specified purposes	A47C 9/00
Bean bags	A47C 27/086

A47C 3/18

Chairs or stools with rotatable seat (adjustable in height by rotation [A47C 3/24](#))

References

Limiting references

This place does not cover:

Chairs adjustable in height by rotation	A47C 3/24
---	---------------------------

Informative references

Attention is drawn to the following places, which may be of interest for search:

Stools for specified purposes	A47C 9/00
-------------------------------	---------------------------

A47C 3/20

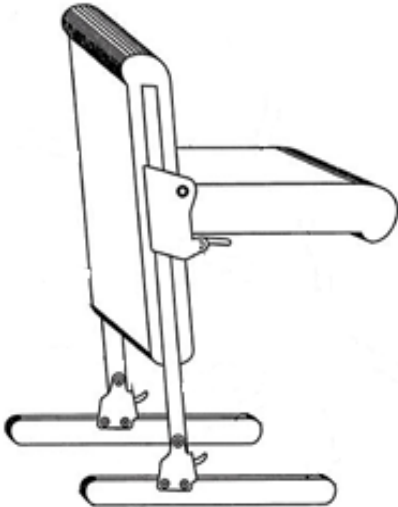
Chairs or stools with vertically-adjustable seats

Definition statement

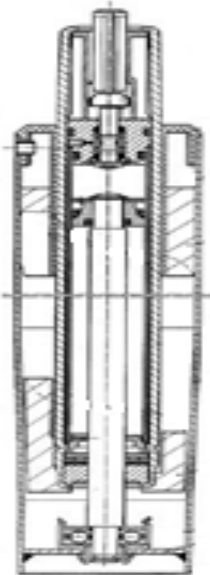
This place covers:

Illustrative examples of subject matter classified in this place:

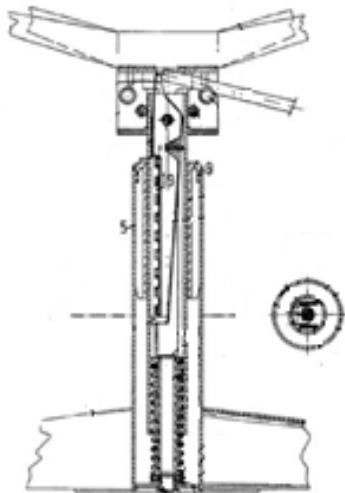
1.



2.



3.



References

Application-oriented references

Examples of places where the subject matter of this place is covered when specially adapted, used for a particular purpose, or incorporated in a larger system:

Height adjustable children's chairs	A47D 1/004
Chairs for disabled persons having adjustable height	A61G 5/1059

Informative references

Attention is drawn to the following places, which may be of interest for search:

Stools for specified purposes	A47C 9/00
Tables with variable heights	A47B 9/00
Locking of telescopic system in general	F16B 7/10

A47C 4/00

Foldable, collapsible or dismountable chairs (of tubular metal type [A47C 5/10](#))

References

Limiting references

This place does not cover:

Tubular chairs of foldable, collapsible or dismountable type	A47C 5/10
--	---------------------------

Application-oriented references

Examples of places where the subject matter of this place is covered when specially adapted, used for a particular purpose, or incorporated in a larger system:

Children's foldable chairs	A47D 1/02
----------------------------	---------------------------

A47C 4/02

Dismountable chairs

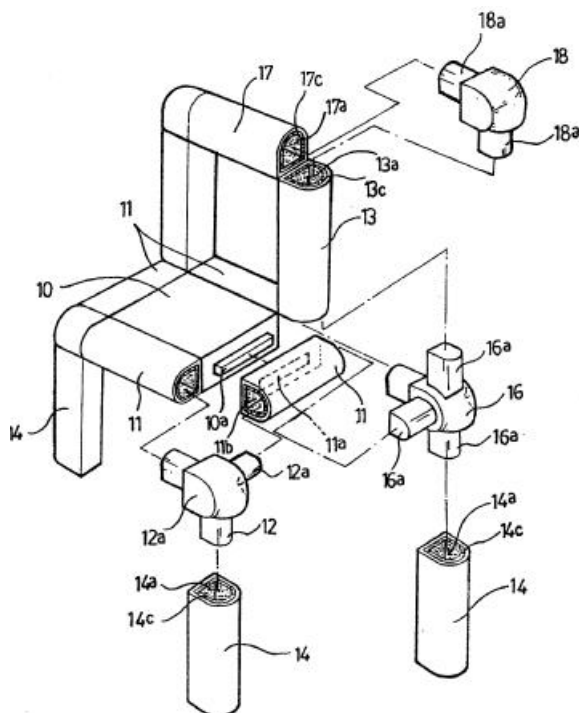
Definition statement

This place covers:

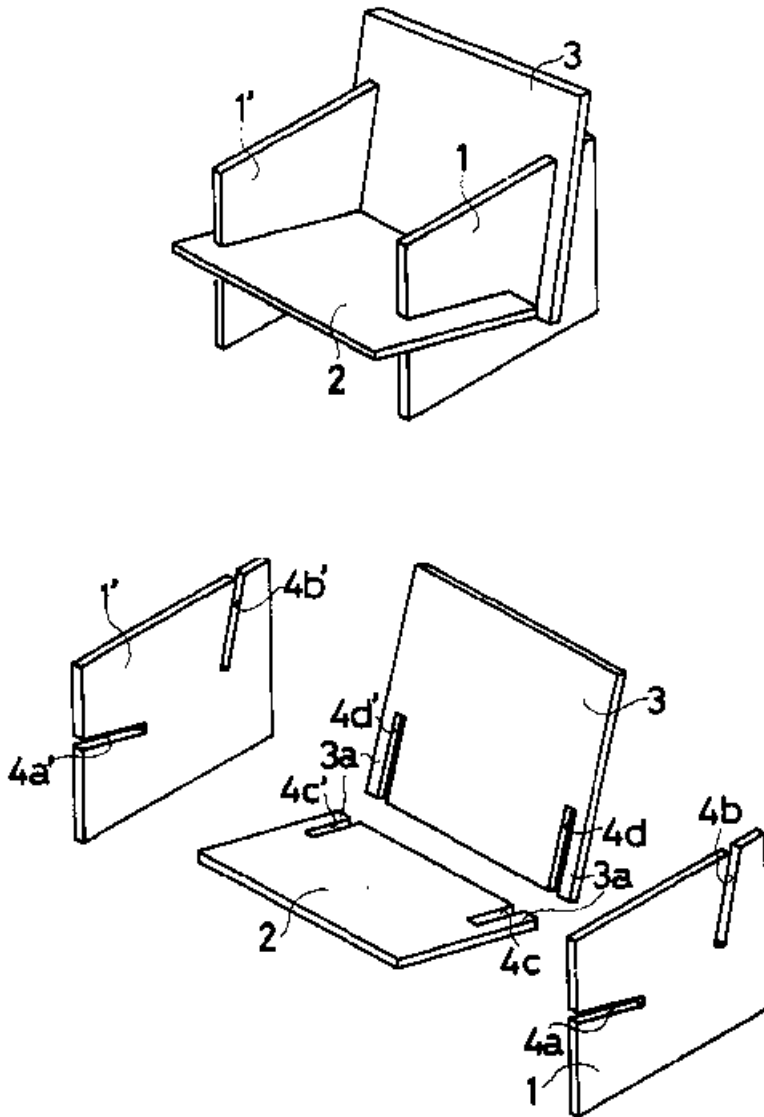
Chairs having detachably interconnected joints configured to be dismounted without causing their destruction.

Illustrative examples of subject matter classified in this place:

1.



2.



References

Informative references

Attention is drawn to the following places, which may be of interest for search:

Camp, travelling, or sports stools having several foldable or detachable legs converging in one point	A47C 9/105
Modular seating	A47C 13/005
Dismountable travelling or camp beds	A47C 17/645
Dismountable bedsteads	A47C 19/005
Dismountable children's chairs	A47D 1/006

A47C 4/04

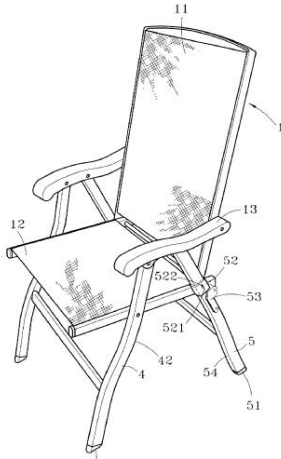
Folding chairs with inflexible seats

Definition statement

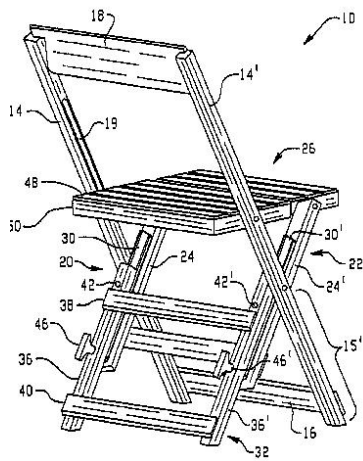
This place covers:

Illustrative examples of subject matter classified in this place:

1.

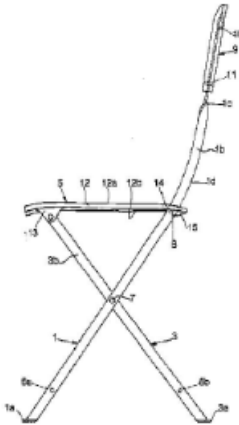


2.



Definition statement

3.



References

Informative references

Attention is drawn to the following places, which may be of interest for search:

Folding chairs with flexible coverings for the seat or back elements	A47C 4/28
Chairs collapsible to trunk shape	A47C 4/52
Camp, travelling or sports stools having several foldable or detachable legs converging in one point	A47C 9/105
Travelling or camp beds with only the legs being foldable	A47C 17/68
Travelling or camp beds with the bed frame being foldable about a horizontal axis	A47C 17/70
Travelling or camp beds the bed being foldable about a vertical axis	A47C 17/74
Folding bedsteads	A47C 19/12
Upholstery attaching means for chairs in general	A47C 31/02
Foldable children's chairs	A47D 1/02

Special rules of classification

If there is no clear indication about material of the frame, e.g. made of wood, plastic or metal in a document, classification should be made in both groups [A47C 4/08](#) (made of wood or plastic) and [A47C 4/18](#) (made of metal).

Glossary of terms

In this place, the following terms or expressions are used with the meaning indicated:

inflexible seat	rigid seat or seat with flexible fabric stretched in the frame in all stages of folding
flexible seat	not rigid seat usually with fabric, being unstretched when unfolded

A47C 4/06**Attachment of upholstery or fabric to frames****References****Informative references**

Attention is drawn to the following places, which may be of interest for search:

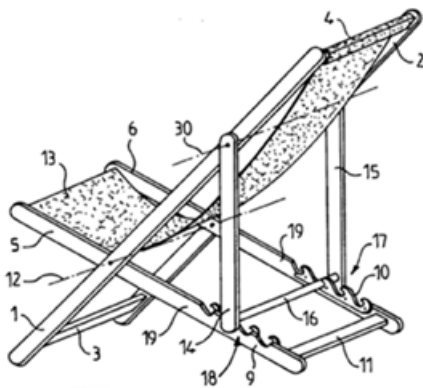
Upholstery attaching means for chairs, beds or the like	A47C 31/02
---	----------------------------

A47C 4/28**Folding chairs with flexible coverings for the seat or back elements****Definition statement**

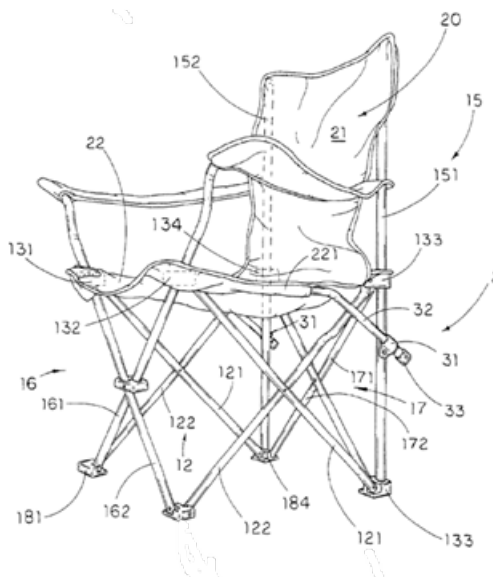
This place covers:

Illustrative examples of subject matter classified in this place:

1.

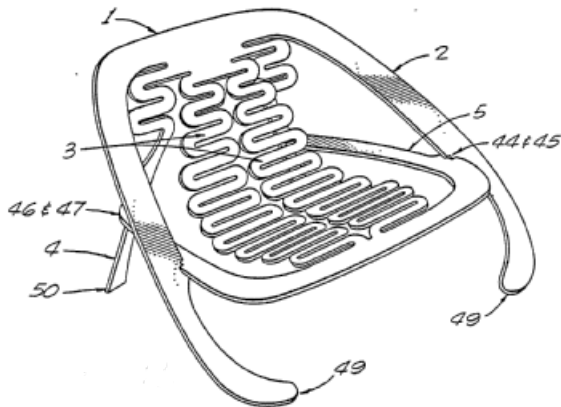


2.



Definition statement

3.



References

Informative references

Attention is drawn to the following places, which may be of interest for search:

Folding chairs with inflexible seats	A47C 4/04
Chairs collapsible into trunk shape	A47C 4/52
Inflatable chairs	A47C 4/54
Camp, travelling, or sports stool having several foldable or detachable legs converging in one point	A47C 9/105
Travelling or camp beds with only the legs being foldable	A47C 17/68
Travelling or camp beds with the bed frame being foldable about a horizontal axis	A47C 17/70
Travelling or camp beds the bed being foldable about a vertical axis	A47C 17/74
Folding bedsteads	A47C 19/12
Foldable children's chairs	A47D 1/02

Special rules of classification

If there is no clear indication about material of the frame, e.g. made of wood, plastic or metal in a document, classification should be made in both groups [A47C 4/32](#) (made of wood or plastic) and [A47C 4/42](#) (made of metal).

Glossary of terms

In this place, the following terms or expressions are used with the meaning indicated:

inflexible seat	seat doesn't fold when folding the chair e.g. seats with flexible not foldable fabric stretched in the seat frame in all stages of folding
flexible seat	seat folds when folding the chair, e.g. seats with flexible foldable fabric

A47C 4/30**Attachment of upholstery or fabric to frames****References****Informative references**

Attention is drawn to the following places, which may be of interest for search:

Upholstery attaching means for chairs, beds or the like	A47C 31/02
---	----------------------------

A47C 4/52**Trunk chairs, i.e. chairs collapsible to trunk shape****References****Informative references**

Attention is drawn to the following places, which may be of interest for search:

Trunk beds; Travelling-case beds	A47C 17/82
Luggage or hand carried bags convertible into other articles or into objects for other use, e.g. supplementary seats	A45C 9/00
Trunk tables	A47B 3/10

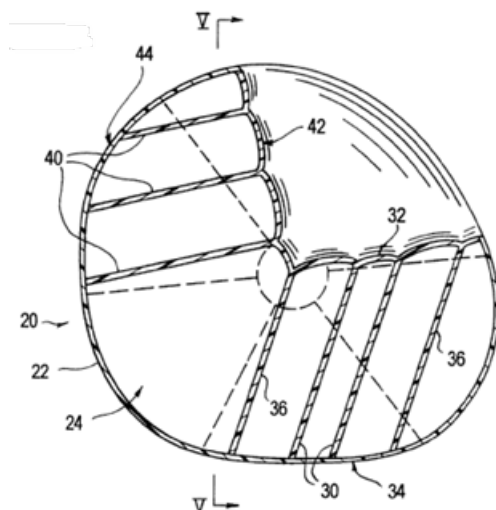
A47C 4/54**Inflatable chairs****Definition statement**

This place covers:

Seating furniture having inflatable means.

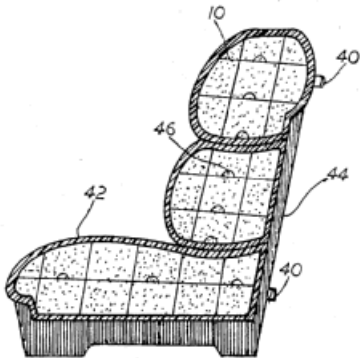
Illustrative examples of subject matter classified in this place:

1.

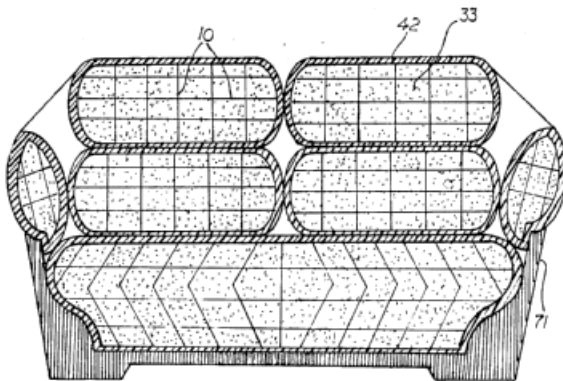


Definition statement

2a.



2b.



References

Informative references

Attention is drawn to the following places, which may be of interest for search:

Chairs with adjustable inclination by fluid means	A47C 1/0244
Chairs having adjustable and lockable inclination by fluid means	A47C 1/03216
Detachable or loose seat cushions	A47C 7/021
Fluid mattresses specially adapted for chairs, beds or sofas	A47C 27/08
Bed covers, counterpanes, travelling rugs or sleeping rugs with inflatable means	A47G 2009/003
Inflatable pillows	A47G 9/1027
Connection of valves to inflatable elastic bodies	B60C 29/00
Vehicle seats with air or fluid cushions	B60N 2/7082
Vehicle seats with hydro-pneumatic adjustments of the shape	B60N 2/914

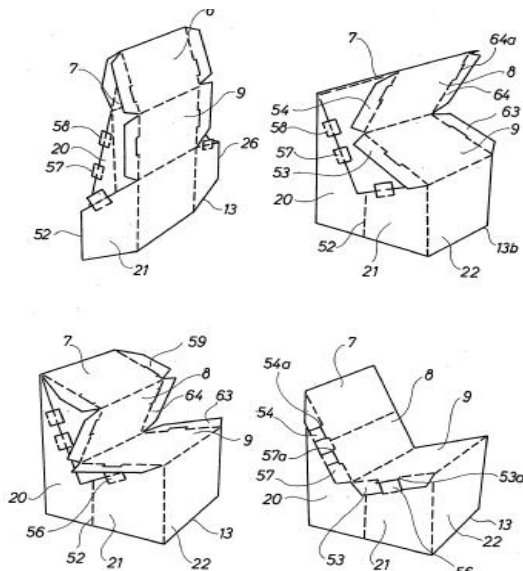
A47C 5/005

{of paper, cardboard or similar pliable material}

Definition statement

This place covers:

Chairs of 2-dimensional pliable materials, e.g. paper, cardboard or plastic sheet materials



WO2004032685

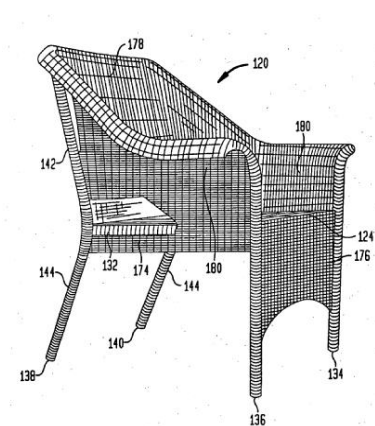
A47C 5/02

{of woven material, e.g.} basket chairs

Definition statement

This place covers:

Chairs made of woven material, e.g. basket chairs.



US2006225399

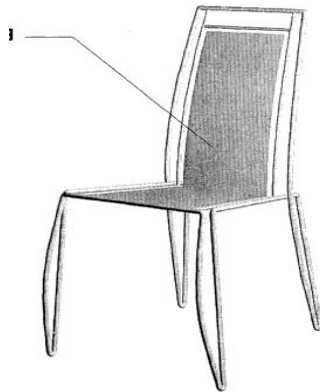
A47C 5/04

Metal chairs, e.g. tubular (rocking chairs having elastic frames made of tubular material [A47C 3/023](#))

Definition statement

This place covers:

Illustrative example of subject matter classified in this place:

**References****Limiting references**

This place does not cover:

Rocking chairs having elastic frames made of tubular material	A47C 3/023
---	----------------------------

Informative references

Attention is drawn to the following places, which may be of interest for search:

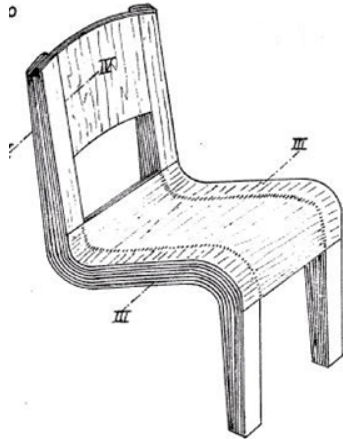
Metal chairs of non-tubular folding, collapsible or dismantable type	A47C 4/00
Foldable chairs with inflexible seat having a frame made of metal	A47C 4/18
Foldable chairs with flexible coverings for the seat or backrest having a frame made of metal	A47C 4/42

A47C 5/14

characterised by the use of laminated wood

Definition statement

This place covers:



DE867740

References

Informative references

Attention is drawn to the following places, which may be of interest for search:

Seats made of wooden, plastics, or metal sheet material, Panel seats	A47C 7/16
--	---------------------------

A47C 7/00

Parts, details, or accessories of chairs or stools

References

Application-oriented references

Examples of places where the subject matter of this place is covered when specially adapted, used for a particular purpose, or incorporated in a larger system:

Seats adapted for angling, e.g. fisherman's seats	A01K 97/22
Hunting stands, e.g. hunting seats	A01M 31/02
Bath seats	A47K 3/12
Shower seats	A47K 3/282
Seats for surgeons or dentists	A61B 90/60
Chairs for disabled persons	A61G 5/00
Operating chairs, dental chairs, physiotherapeutic chairs, gynecological chairs	A61G 15/00
Exercising apparatus combined with chairs	A63B 21/16
Seats specially adapted for vehicles	B60N 2/00
Ski-lift seats	B61B 12/002

Rail vehicles seats	B61D 33/00
Vessel furniture, e.g. boat seats	B63B 29/04
Aircraft seats	B64D 11/06

Informative references

Attention is drawn to the following places, which may be of interest for search:

Attaching to floor	A47B 91/08
Chairs with toilet means	A47K 11/04
Chairs with massage means	A61H 2201/0149

A47C 7/002

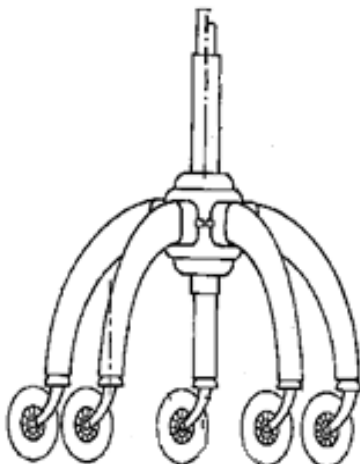
{Chair or stool bases ([A47C 3/20](#) takes precedence)}

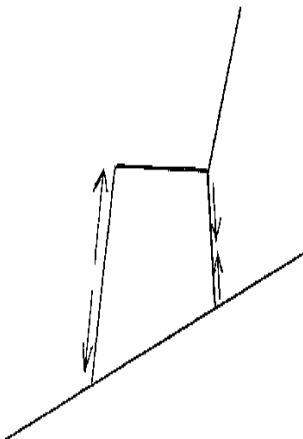
Definition statement

This place covers:

Chairs or stools substructures at the ground level, e.g. legs, castors, pedestals.

Illustrative examples of subject matter classified in this group:





References

Limiting references

This place does not cover:

Chairs or stools with vertically-adjustable seats	A47C 3/20
---	---------------------------

Informative references

Attention is drawn to the following places, which may be of interest for search:

Reclining chairs by changing the length or inclination of the legs	A47C 1/029
Chairs or stools with additional seat or legs of the chair or stool for varying height of seat	A47C 3/38
Bedsteads' legs	A47C 19/024
Feet for furniture in general	A47B 91/00
Castors in general	B60B 33/00

A47C 7/02

Seat parts

Definition statement

This place covers:

Specific features related to the chair or stool seats, e.g. seat cushions, profiled seats, double seats, seats with adjustable shape, elastically mounted seats, panel seats, seats with foam material, upholstered seats, seats with springs.

References

Application-oriented references

Examples of places where the subject matter of this place is covered when specially adapted, used for a particular purpose, or incorporated in a larger system:

Seat cushions specially adapted for wheelchairs	A61G 5/1045
---	-----------------------------

Informative references

Attention is drawn to the following places, which may be of interest for search:

Chairs having horizontally-adjustable seats	A47C 1/023
Seats detachably mounted on stadium benches	A47C 1/16
Legless chairs with seat directly resting on the floor	A47C 3/16
Adaptation of seats to mounting in tubular chairs	A47C 5/06
Seat parts not restricted to chairs	A47C 23/00
Removable upholstered units or cushions	A47C 27/00
Measuring means for adapting chairs to the shape or weight of persons	A47C 31/126
Producing upholstery articles, e.g. cushions, seats	B29D 99/0092
Production of upholstery by moulding	B29L 2031/751
Production of seats by moulding	B29L 2031/771
Upholstery in general	B68G
Testing of furniture, e.g. seats or mattresses	G01M 99/001

A47C 7/021

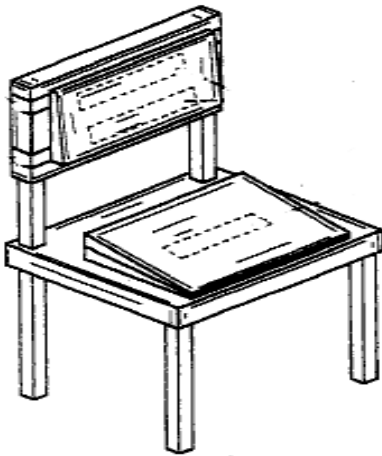
{Detachable or loose seat cushions}

Definition statement

This place covers:

Illustrative examples of subject matter classified in this group:





A47C 7/14

of adjustable shape; elastically mounted {; adaptable to a user contour or ergonomic seating positions (movably-coupled seat and backrests with elastic adjustment means [A47C 1/03261](#); elastically-mounted back-rests or backrest-seat units in the base frame [A47C 7/44](#))}

References

Limiting references

This place does not cover:

Movably-coupled seat and backrests with elastic adjustment means	A47C 1/03261
Elastically-mounted back-rests or backrest-seat units in the base frame	A47C 7/44

A47C 7/18

having foamed material included in cushioning part

References

Informative references

Attention is drawn to the following places, which may be of interest for search:

Foamed material mattresses	A47C 27/14
----------------------------	----------------------------

A47C 7/36

Supports for the head or the back

References

Informative references

Attention is drawn to the following places, which may be of interest for search:

Support for the head or the back for operating or dental chairs	A61G 15/00
---	----------------------------

A47C 7/38

for the head, e.g. detachable

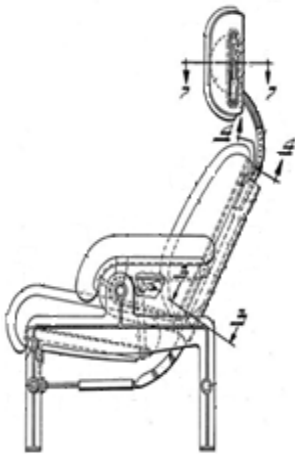
Definition statement

This place covers:

Headrests connected to non-movable parts of the chair; Detachable or loose headrests.

Illustrative examples of subject matter classified in this place:

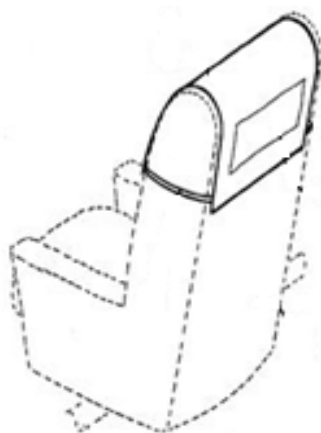
1.



2.



3.



References

Application-oriented references

Examples of places where the subject matter of this place is covered when specially adapted, used for a particular purpose, or incorporated in a larger system:

Head-rests for disabled persons chairs	A61G 5/121
Head rest for operating or dental chairs	A61G 15/125
Head-rests for vehicle seats	B60N 2/80

Informative references

Attention is drawn to the following places, which may be of interest for search:

Chairs having head-rest coupled simultaneously movable with other movable parts of the chair, e.g. backrest or seat	A47C 1/036
Beauty salon chairs with head-rests	A47C 1/10
Pillows	A47G 9/10

A47C 7/40

for the back

Definition statement

This place covers:

Seating furniture having adjustable in height backrest, double backrests, collapsible backrest, detachable or loose backrests.

References

Application-oriented references

Examples of places where the subject matter of this place is covered when specially adapted, used for a particular purpose, or incorporated in a larger system:

Back cushions specially adapted for wheel chairs	A61G 5/1048
--	-----------------------------

Informative references

Attention is drawn to the following places, which may be of interest for search:

Detachable or loose back supports associated with beds	A47C 20/027
--	-----------------------------

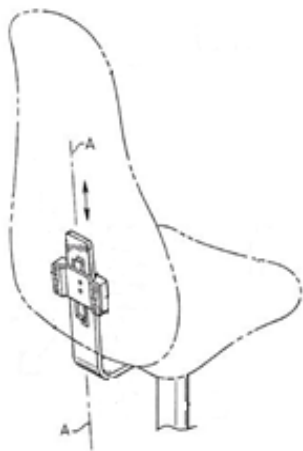
A47C 7/402

{adjustable in height}

Definition statement

This place covers:

Chairs with height adjustable backrest

**A47C 7/405**

{with double backrests}

Definition statement

This place covers:

Chairs with double or split backrest



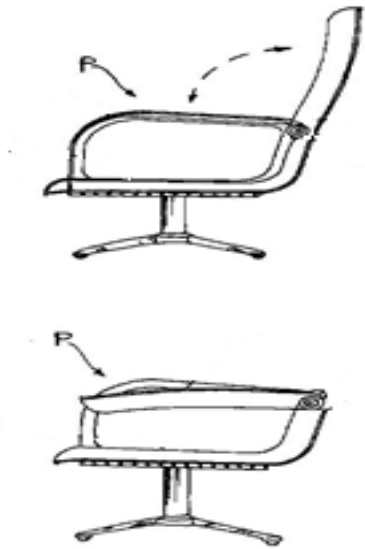
A47C 7/407

{of collapsible type}

Definition statement

This place covers:

Chairs with collapsible backrest



A47C 7/42

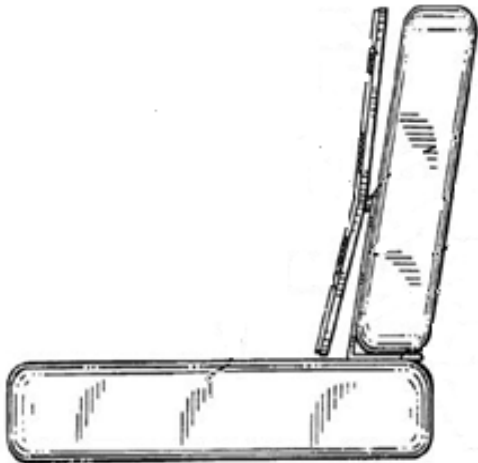
of detachable {or loose} type

Definition statement

This place covers:

Chairs having detachable or loose backrest, e.g. portable





References

Application-oriented references

Examples of places where the subject matter of this place is covered when specially adapted, used for a particular purpose, or incorporated in a larger system:

Backrest for disabled persons chairs	A61G 5/122
--------------------------------------	----------------------------

Informative references

Attention is drawn to the following places, which may be of interest for search:

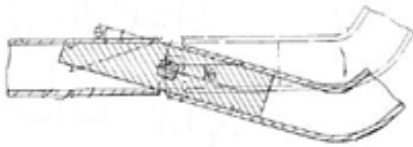
Dismountable chairs	A47C 4/02
Modular seating	A47C 13/005
Seating furniture convertible to beds by removing parts only	A47C 17/14
Detachable or loose back supports associated with beds	A47C 20/027

A47C 7/44

with elastically-mounted {back-rest or backrest-seat unit in the base} frame

Definition statement

This place covers:

**References****Informative references**

Attention is drawn to the following places, which may be of interest for search:

Chairs having movable-coupled seat and backrest characterised by elastic means	A47C 1/03261
Rocking chairs having elastic frames	A47C 3/021
Rocking chairs with seat, or with seat and back-rest unit, elastically mounted in a rigid frame	A47C 3/025

A47C 7/441

{with adjustable elasticity}

Special rules of classification

Applications classified here that use elastic components must also be classified under the type of spring used.

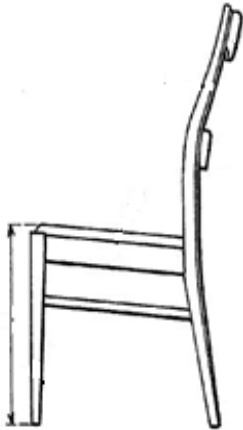
A47C 7/46

with special, e.g. adjustable {, lumbar region support} profile; "Ackerblom" profile chairs

Definition statement

This place covers:

Chairs with lower back supports, e.g. adjustable lumbar support



References

Application-oriented references

Examples of places where the subject matter of this place is covered when specially adapted, used for a particular purpose, or incorporated in a larger system:

Vehicle seat lumbar support	B60N 2/66
-----------------------------	---------------------------

Glossary of terms

In this place, the following terms or expressions are used with the meaning indicated:

"Akerblom" chair	chair having special backrest profile corresponding to the curvature of the human back
------------------	--

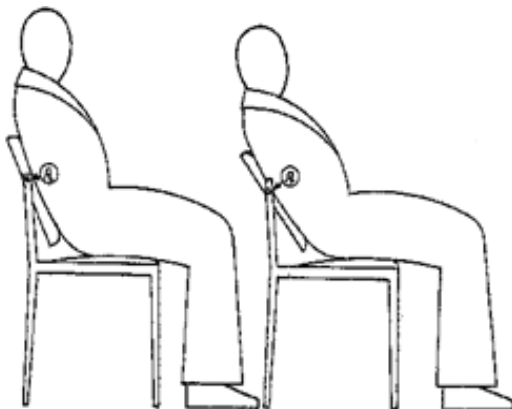
A47C 7/48

of freely-rotatable type

Definition statement

This place covers:

Chairs having freely-rotatable and non-lockable backrest



A47C 7/50

Supports for the feet or the legs (reclining or easy chairs having coupled adjustable supporting parts including a leg-rest or foot-rest [A47C 1/034](#); reclining or easy chairs having coupled adjustable supporting parts including a head-rest in combination with a leg-rest or foot-rest [A47C 1/037](#))

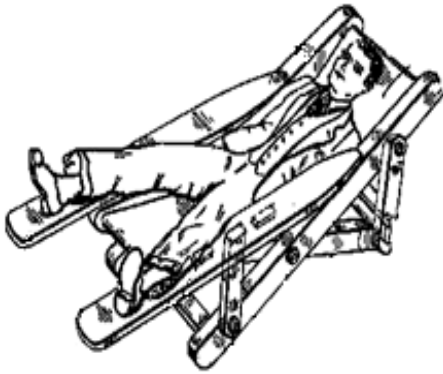
Definition statement

This place covers:

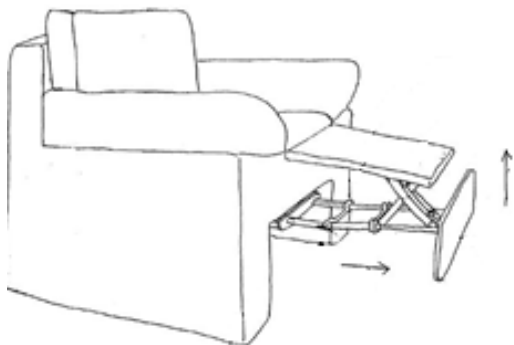
Seating furniture having supports for the feet or the legs coupled to non-movable parts of the chair;
Seating furniture with double foot-rests or leg-rests.

Illustrative examples of subject matter classified in this place:

1.



2.



References

Limiting references

This place does not cover:

Reclining or easy chairs having coupled adjustable supporting parts including a leg-rest or foot-rest	A47C 1/034
Reclining or easy chairs having coupled adjustable supporting parts including a head-rest in combination with a leg-rest or foot-rest	A47C 1/037

Application-oriented references

Examples of places where the subject matter of this place is covered when specially adapted, used for a particular purpose, or incorporated in a larger system:

Leg-rests for disabled persons chairs	A61G 5/127
Feet-rests for disabled persons chairs	A61G 5/128
Lower-leg-rests for vehicles, e.g. calf-rests	B60N 2/995
Foot-rests for vehicle seats	B60N 3/06

Informative references

Attention is drawn to the following places, which may be of interest for search:

Footstools	A47C 16/02
Detachable or loose foot or leg supports for beds	A47C 20/021

A47C 7/54**Supports for the arms****Definition statement**

This place covers:

Chairs having non-adjustable support armrests, e.g. movable to inoperative position or of detachable type.





References

Application-oriented references

Examples of places where the subject matter of this place is covered when specially adapted, used for a particular purpose, or incorporated in a larger system:

Armrest for disabled persons chairs	A61G 5/125
Armrest for vehicles seats	B60N 2/75

Informative references

Attention is drawn to the following places, which may be of interest for search:

Chairs with armrest tables	A47C 7/68
Sofas convertible to bed by tilting or extending the armrests	A47C 17/12
Sofa convertible to bed by tilting or pivoting a backrest with tilting or pivoting the armrest	A47C 17/18
Detachable or loose foot or leg supports for beds	A47C 20/021

A47C 7/541

{of adjustable type (adjustable arm-rests of reclining or easy chairs [A47C 1/03](#))}

Definition statement

This place covers:

Arm-rests adjustable to multiple use positions.

References

Limiting references

This place does not cover:

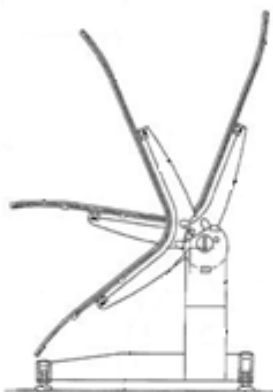
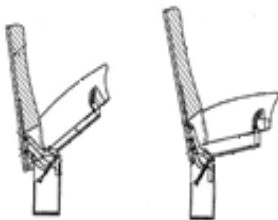
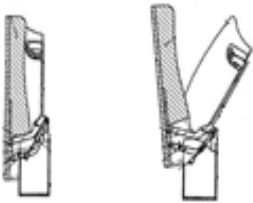
Adjustable armrests for reclining or easy chairs	A47C 1/03
--	---------------------------

A47C 7/56

Parts or details of tipping-up chairs, e.g. of theatre chairs

Definition statement

This place covers:



References

Informative references

Attention is drawn to the following places, which may be of interest for search:

Theatre, auditorium, or similar chairs	A47C 1/12
Theatre, auditorium, or similar chairs having tipping-up seats	A47C 1/121
Separate chairs, connectable together into a row	A47C 1/124
Stackable chairs or nesting chairs with tipping-up seats	A47C 3/045
Coin-freed apparatus for seats or footstools	G07F 17/08

A47C 7/58

Hinges, e.g. for mounting chairs in a curved row

References

Informative references

Attention is drawn to the following places, which may be of interest for search:

Hinges for wings in general	E05D
-----------------------------	----------------------

A47C 7/62

Accessories for chairs

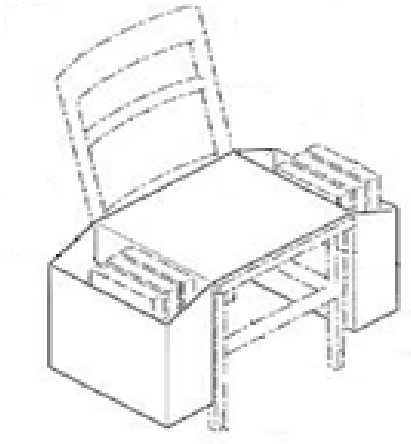
Definition statement

This place covers:

Accessories for chairs, e.g. hat or coat holders, means for protecting against weather, arm-rest tables, illumination, radios, bars, telephones, ventilation, heating, cooling.

A47C 7/624**{located on side of seat, e.g. on armrest}****Definition statement***This place covers:*

Illustrative examples of subject matter classified in this group:

**A47C 7/64****Hat or coat holders****Definition statement***This place covers:***References****Application-oriented references**

Examples of places where the subject matter of this place is covered when specially adapted, used for a particular purpose, or incorporated in a larger system:

Hats, clothes or clothes hangers used in vehicles	B60R 7/10
---	---------------------------

Informative references

Attention is drawn to the following places, which may be of interest for search:

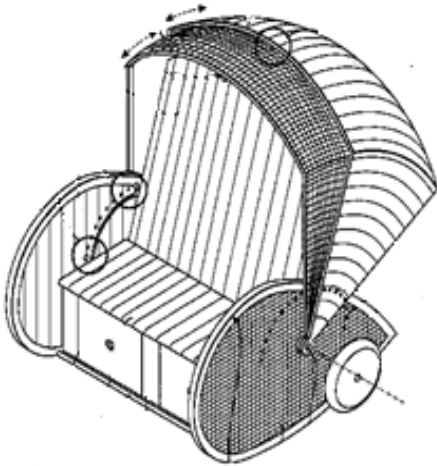
Domestic hat or coat Holders	A47G 25/00
------------------------------	----------------------------

A47C 7/66

Means to protect against weather

Definition statement

This place covers:

**References****Informative references**

Attention is drawn to the following places, which may be of interest for search:

Beach chairs	A47C 1/12
Liquid impermeable removable or loose chair covers	A47C 31/113
Bathing or beach cabins	E04H 15/003

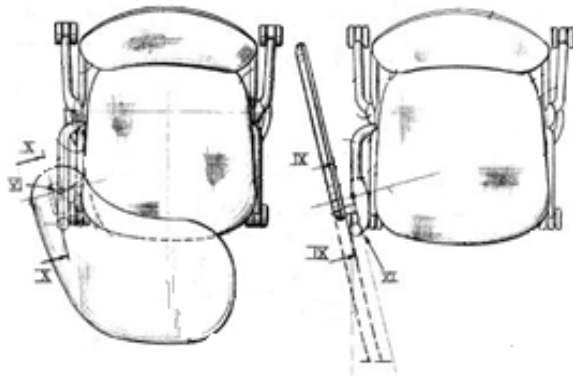
A47C 7/664**{of umbrella type}****Definition statement***This place covers:*

Umbrellas to be used in combination with a chair.

**References*****Informative references****Attention is drawn to the following places, which may be of interest for search:*

Umbrellas characterised by attachment type or shape	A45B 11/00
---	----------------------------

A47C 7/68**Arm-rest tables {; or back-rest tables}****Definition statement***This place covers:*



References

Application-oriented references

Examples of places where the subject matter of this place is covered when specially adapted, used for a particular purpose, or incorporated in a larger system:

Children's chairs with trays	A47D 1/008
Tables, working plates, trays for disabled persons chairs	A61G 5/1094
Tables or trays for use in vehicles	B60N 3/001

Informative references

Attention is drawn to the following places, which may be of interest for search:

Adjustable armrests for reclining or easy chairs	A47C 1/03
Stackable and nesting chairs	A47C 3/04
Arm supports for non-reclining and non-easy chairs	A47C 7/54
Suspended or hinged panels forming a table	A47B 5/00
Bed tables	A47B 23/00
Tables combined with seats	A47B 83/02

A47C 7/72

Adaptations for incorporating lamps, radio sets, bars, telephones, ventilation, heating or cooling arrangements or the like

Definition statement

This place covers:

Chairs having accessories, e.g. lamps, radio, bars, telephones, display screens, ventilation, heating or cooling arrangements or the like

References

Application-oriented references

Examples of places where the subject matter of this place is covered when specially adapted, used for a particular purpose, or incorporated in a larger system:

Heating or cooling appliances for medical or therapeutic treatment of the human body	A61F 7/00
Heating or ventilating devices for vehicle seats	B60N 2/56
Accessories for vehicle, e.g. for vehicle seats such as radio sets, television sets, telephones	B60R 11/02

Informative references

Attention is drawn to the following places, which may be of interest for search:

Chairs with lumbar support adjustable by fluid means	A47C 7/467
Beds with lighting, radio or telephone means	A47C 21/003
Beds with ventilating, cooling or heating devices	A47C 21/04
Pillows with cooling or heating means	A47G 9/1036
Combination of lighting devices with furniture	F21V 33/0012

A47C 9/00

Stools for specified purposes

Definition statement

This place covers:

Stools for specified purposes not provided in other part of the classification and seating furniture for specified purposes not provided in other part of the classification.

References

Informative references

Attention is drawn to the following places, which may be of interest for search:

Chairs of legless type; Hassocks; Pouffes	A47C 3/16
Chairs or stools with rotatable seats	A47C 3/18
Chairs or stools with vertically adjustable seats	A47C 3/20
Stool bases	A47C 7/002
Step-stools	A47C 12/00
Other seating furniture for specific purpose	A47C 15/004
Footstools	A47C 16/02
Prayer stools or kneeling stools	A47C 16/04
Platforms or seat-boxes specially adapted for angling	A01K 97/22
Walking sticks or umbrellas convertible into seats	A45B 5/00

A47C 9/002

{with exercising means or having special therapeutic or ergonomic effects}

Definition statement

This place covers:

Domestic or office stools having therapeutic or ergonomic effect, e.g. using dynamic seat support.

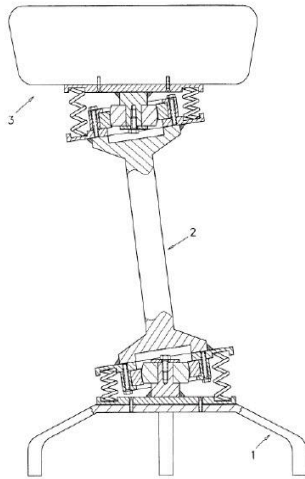
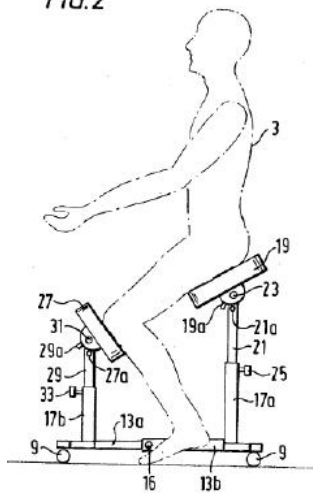


FIG. 2

NL1017456C

FIG.2



GB2348124

References**Informative references**

Attention is drawn to the following places, which may be of interest for search:

Rocking chairs	A47C 3/02
Chairs' seats especially profiled and adapted to the body contour	A47C 7/029
Chairs' seats of adjustable shape; elastically mounted	A47C 7/14

Exercising apparatus combined with chairs

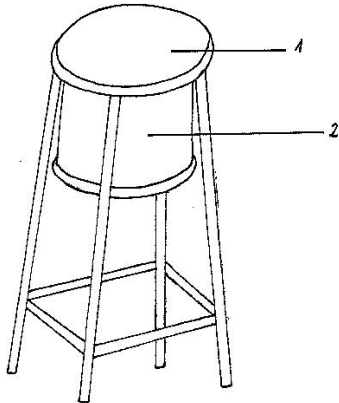
A63B 21/16

A47C 9/007

{High stools, e.g. bar stools (children's high chairs [A47D 1/00](#))}

Definition statement

This place covers:



DE9400912U

References

Limiting references

This place does not cover:

Children's chairs, e.g. height chairs

A47D 1/00

A47C 9/02

Office stools; Workshop stools

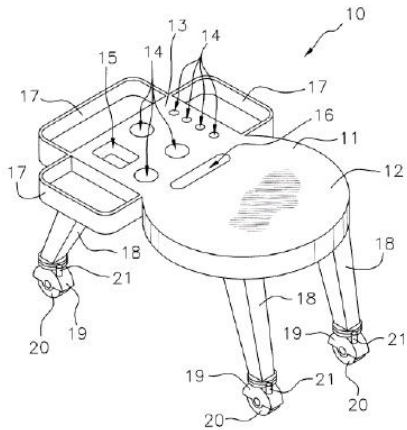
Definition statement

This place covers:

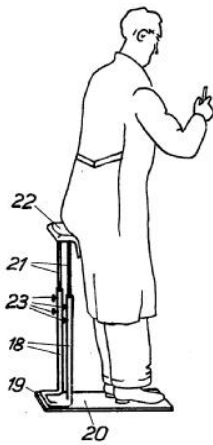
Stools used in offices or while working.

Illustrative examples of subject matter classified in this place:

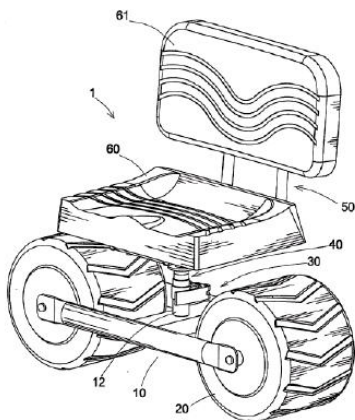
1.



2.



3.



References

Informative references

Attention is drawn to the following places, which may be of interest for search:

Beauty salon chairs with auxiliary seats	A47C 1/08
--	---------------------------

Chairs characterised by structural features; Chairs or stools with rotatable or vertically-adjustable seats	A47C 3/00
Parts, details or accessories of chairs or stools	A47C 7/00
Kneeling stools; Kneeling supports	A47C 16/04
Carriers for supporting persons when working in the field	A01B 75/00
Workshop workers' supports, e.g. mechanics' creepers	B25H 5/00

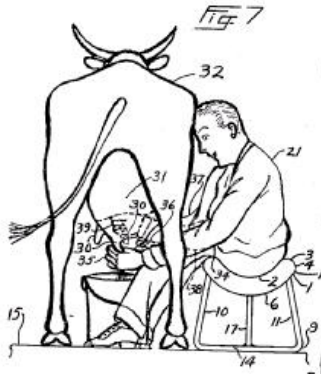
A47C 9/04

Milking stools

Definition statement

This place covers:

Illustrative example of subject matter classified in this group:



US2100877

A47C 9/06

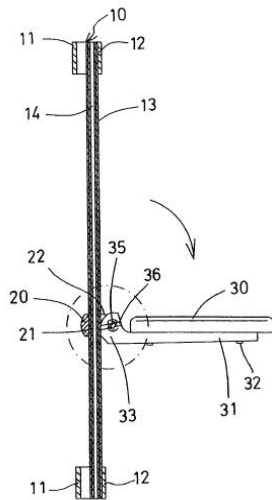
Wall stools {; Stools hingedly mounted against the wall}

Definition statement

This place covers:

Stools and chairs mounted to the wall.

Illustrative example of subject matter classified in this place:



References

Informative references

Attention is drawn to the following places, which may be of interest for search:

Theatre, auditorium or similar chairs with tipping-up seats	A47C 1/121
Chairs stowable in floor or wall	A47C 1/126
Hinges of tipping-up chairs	A47C 7/58
Wall beds	A47C 17/38
Shower seats	A47K 3/282

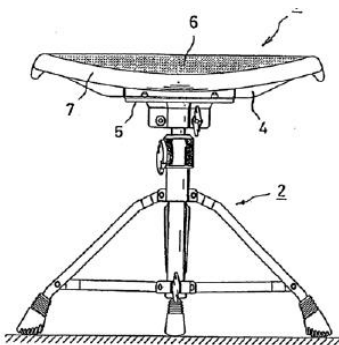
A47C 9/08

Music stools

Definition statement

This place covers:

Illustrative example of subject matter classified in this group:



US2004145221

A47C 9/10

Camp, travelling, or sports stools

Definition statement

This place covers:

Stools used for camping, travelling or sport.

References

Application-oriented references

Examples of places where the subject matter of this place is covered when specially adapted, used for a particular purpose, or incorporated in a larger system:

Hunting stands, e.g. hunting seats	A01M 31/02
Hanging seats for travelling or camping	A45F 3/26

Informative references

Attention is drawn to the following places, which may be of interest for search:

Foldable, collapsible or dismountable chairs	A47C 4/00
Chairs or stools bases for uneven surface	A47C 7/008
Walking sticks or umbrellas convertible into seats	A45B 5/00

A47C 11/00

Benches not otherwise provided for

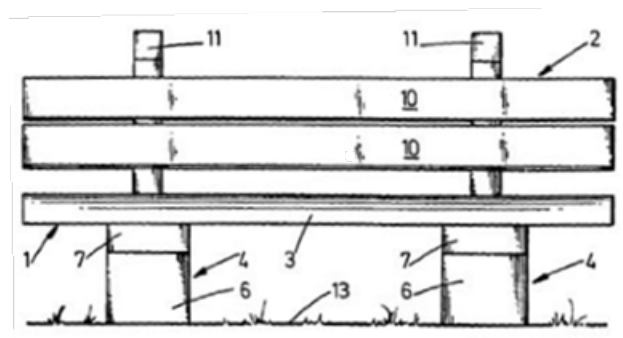
Definition statement

This place covers:

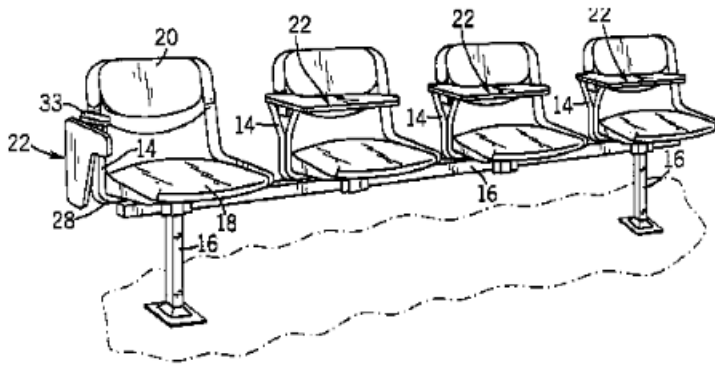
Benches, e.g. church benches or benches having multiple separate seats fixed to the bench frame.

Illustrative examples of subject matter classified in this place:

1.



2.



References

References out of a residual place

Examples of places in relation to which this place is residual:

Theatre, auditorium or similar chairs	A47C 1/12
Separate chairs, connectable together into a row	A47C 1/124
School forms	A47B 39/00

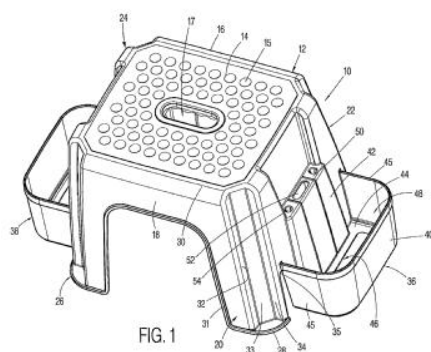
A47C 12/00

Step-stools

Definition statement

This place covers:

Low stool having steps, e.g. convertible into a short stepladder



DE29606175U

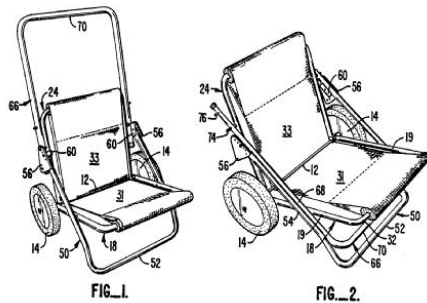
A47C 13/00

Convertible chairs, stools or benches (step-stools requiring conversion between the step and seat functions [A47C 12/02](#))

Definition statement

This place covers:

Seating furniture convertible to different seating arrangement not provide for in other part of the classification (see list below)



US4733905

References

Limiting references

This place does not cover:

Step-stool requiring conversion between the step and seat function	A47C 12/02
--	----------------------------

Application-oriented references

Examples of places where the subject matter of this place is covered when specially adapted, used for a particular purpose, or incorporated in a larger system:

Seating furniture, couches, settees convertible into beds	A47C 17/04
Walking sticks or umbrellas convertible into seats	A45B 5/00
Luggage or hand carried bags convertible into other articles or into objects for other use e.g. supplementary seats	A45C 9/00
Tables convertible into chairs	A47B 85/04
Children's chairs convertible from high chair to a low one by reversing	A47D 1/04
Children's chairs convertible to push chairs	A47D 1/06
Children's chairs convertible to a rocking chair	A47D 1/08
Children's chairs convertible into tables	A47D 11/002
Chairs convertible into children's chairs	A47D 11/02
Stretchers, for patients or disable persons, convertible into chairs	A61G 1/017
Medical beds convertible into a chair	A61G 7/16

Informative references

Attention is drawn to the following places, which may be of interest for search:

Modular seating	A47C 13/005
-----------------	-----------------------------

A47C 15/00

Other seating furniture

Definition statement

This place covers:

Seating furniture not provided for in other parts of the classification, e.g. corner seating furniture, floating seats, seats for sexual intercourse.

References

References out of a residual place

Examples of places in relation to which this place is residual:

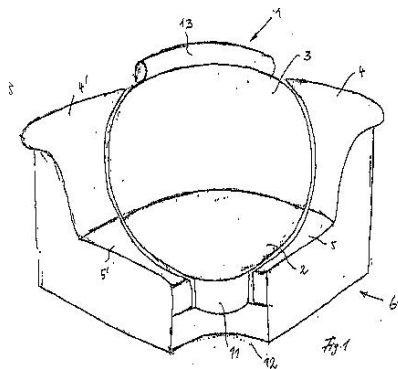
Pneumatic mattresses	A47C 27/081
Benches or forms combined with desks	A47B 39/00

A47C 15/002

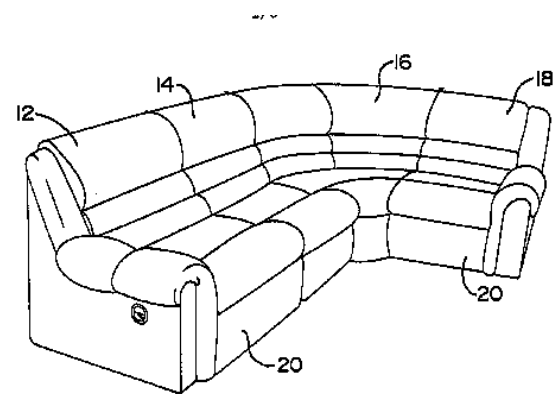
{Corner seating furniture, e.g. corner sofas (changing corner couches into double bed [A47C 17/36](#))}

Definition statement

This place covers:



DE29500436U



WO9907258

References

Limiting references

This place does not cover:

Corner couches convertible into a double bed	A47C 17/36
--	----------------------------

Informative references

Attention is drawn to the following places, which may be of interest for search:

Sofas without movable parts	A47C 17/02
-----------------------------	----------------------------

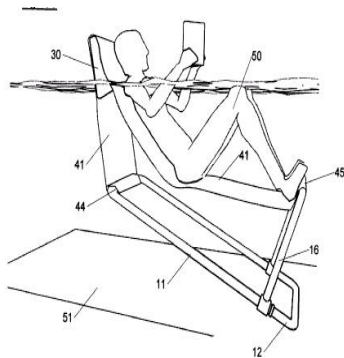
A47C 15/004

{Seating furniture for specified purposes not covered by main groups [A47C 1/00](#) or [A47C 9/00](#)}

Definition statement

This place covers:

Seating furniture for specific purpose not elsewhere covered in [A47C](#) or [A47D](#), e.g. shoe shining type chairs, meditation seats, video games chairs, seats for photographer's, astronomical observation seats, underwater chairs, high umpire seats, for sexual intercourse



GB2422102

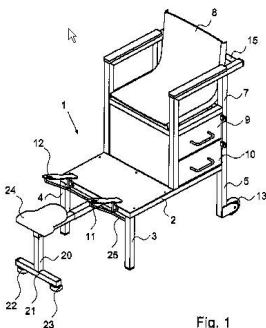
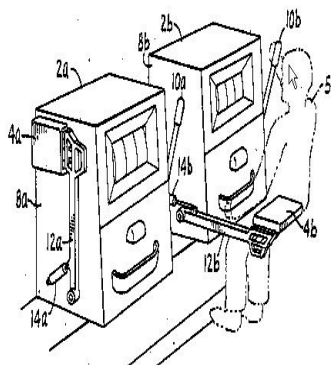


Fig. 1

Definition statement

DE202004011613U



US4705274

References

Limiting references

This place does not cover:

Hairdressers' or similar chairs	A47C 1/04
High stools, e.g. bar stools	A47C 9/007
Seats adapted for angling, e.g. fisherman's seats	A01K 97/22
Hunting stands, e.g. hunting seats	A01M 31/02
Bath seats	A47K 3/12
Shower seats	A47K 3/282
Chairs with toilet means	A47K 11/04
Seats for surgeons or dentists	A61B 90/60
Chairs for disable persons	A61G 5/00
Operating chairs, dental chairs, physiotherapeutic chairs, gynaecological chairs	A61G 15/00
Chairs with massage means	A61H 2201/0149
Seats specially adapted for vehicles	B60N 2/00
Ski-lift seats	B61B 12/002
Rail vehicles seats	B61D 33/00
Vessel furniture, e.g. boat seats	B63B 29/04
Aircraft seats	B64D 11/06

Informative references

Attention is drawn to the following places, which may be of interest for search:

Body floating supports for relaxation in water	A61H 37/005
Floating devices with seat for pleasure or sports	B63B 34/50
Floatable furniture	B63C 9/30

A47C 16/00

Stand-alone rests or supports for feet, legs, arms, back or head

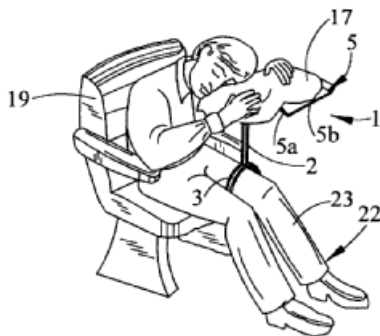
Definition statement

This place covers:

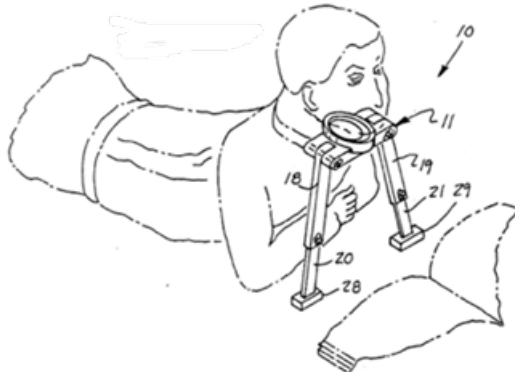
Rests or supports for feet, legs, arms, back or head not connected in any way with the seating furniture.

Illustrative examples of subject matter classified in this place:

1.



2.



References

Application-oriented references

Examples of places where the subject matter of this place is covered when specially adapted, used for a particular purpose, or incorporated in a larger system:

Baby feeding cushions	A47D 13/083
-----------------------	-----------------------------

Informative references

Attention is drawn to the following places, which may be of interest for search:

Stand-alone rests or supports for feet, legs, arms, back or head associated with chairs	A47C 7/00
Stand-alone rests or supports for feet, legs, arms, back or head associated with beds or sofas	A47C 20/00

Loose or removable covers for chairs	A47C 31/11
--------------------------------------	----------------------------

Glossary of terms

In this place, the following terms or expressions are used with the meaning indicated:

stand-alone	not connected in any way with the seating furniture
-------------	---

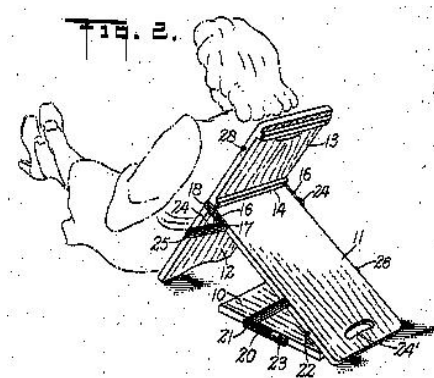
A47C 16/005

{Back-rests}

Definition statement

This place covers:

Stand-alone backrests



US2384234

References

Limiting references

This place does not cover:

Chairs having independently-adjustable supporting parts, e.g. having independently-adjustable backrest, backrest-seat-unit	A47C 1/022
Chairs having movably-coupled adjustable seat and backrest	A47C 1/032
Beach chairs of legless type	A47C 1/146
Detachable or loose back supports associated with beds	A47C 20/027

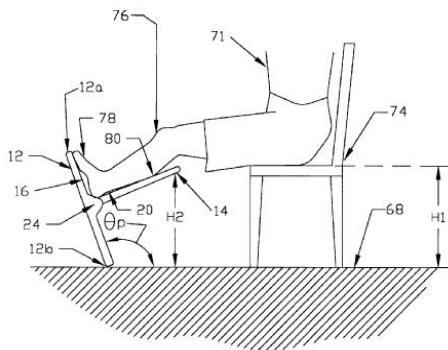
A47C 16/02

Footstools; Foot-rests; Leg-rests

Definition statement

This place covers:

Stand-alone foot-rests or leg-rests; Footstools



US6045192

References

Limiting references

This place does not cover:

Chairs having leg-rest or foot-rest movable-coupled to other parts of the chair, e.g. backrest or seat.	A47C 1/034
Chairs having adjustable leg-rest or foot-rest in combination with head-rest	A47C 1/037
Supports for the feet or the legs coupled to non-movable parts of the chair	A47C 7/50
Leg-rests or foot-rests for disable persons chairs	A61G 5/127 , A61G 5/128
Lower-leg-rests for vehicles, e.g. calf-rests	B60N 2/995
Foot-rests for vehicle seats	B60N 3/06

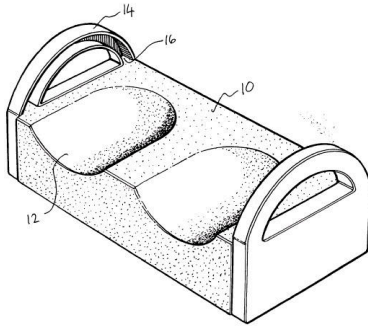
A47C 16/04

Prayer stools; Kneeling stools; Kneeling supports

Definition statement

This place covers:

Illustrative example of subject matter classified in this place:



References

Informative references

Attention is drawn to the following places, which may be of interest for search:

Hassocks or pouffes	A47C 3/16
Stools with forward inclined seat, e.g. with knee-supports	A47C 9/005
Stools for working at ground level	A47C 9/027
Church benches, confessionals	A47C 11/02

A47C 17/00

Sofas; Couches; Beds

Definition statement

This place covers:

Sofas, couches, wall beds, cabinet beds, travelling beds, camp beds, suspended beds.

References

Application-oriented references

Examples of places where the subject matter of this place is covered when specially adapted, used for a particular purpose, or incorporated in a larger system:

Beds with special provisions for nursing	A61G 7/00
--	---------------------------

Informative references

Attention is drawn to the following places, which may be of interest for search:

Bedsteads	A47C 19/00
Rests for beds or sofas, e.g. headrests, footrests	A47C 20/00

Informative references

Attachments for beds; Ventilating, cooling or heating means for beds	A47C 21/00
Spring mattresses; Divan bases	A47C 23/00
Stuffed mattresses	A47C 27/00
Bed canopies; Mosquito nets	A47C 29/00
Details or accessories for beds	A47C 31/00
Hammocks	A45F 3/22
Show stands for furniture, e.g. beds or mattresses	A47F 7/30
Bed-covers; Counterpanes; Travelling rugs; Sleeping rugs; Sleeping bags; Pillows	A47G 9/00
Devices for preventing wetting or pollution of the bed, e.g. absorbent protective pads	A61F 5/48
Stretchers	A61G 1/00
Beds with massage means	A61H 2201/0142
Exercising apparatus combined with beds or mattresses	A63B 21/16
Production of upholstery by moulding	B29L 2031/58
Production of mattresses or cushion by moulding	B29L 2031/751
Sleeping accommodation for caravans	B60P 3/38
Sleeping accommodation for rail vehicles	B61D 31/00
Sleeping accommodation for load-carrying vehicles	B62D 33/0612
Berths for vessels	B63B 29/10
Upholstery in general	B68G
Joining of furniture	F16B 12/00
Testing of furniture, e.g. seats or mattresses	G01M 99/001

A47C 17/02**Sofas, couches, settees, or the like, without movable parts****Definition statement**

This place covers:

Sofas, couches, settees or the like having neither adjustable nor convertible parts

References**Informative references**

Attention is drawn to the following places, which may be of interest for search:

Chairs, stools or Benches	A47C 1/00 - A47C 16/00
---------------------------	--

A47C 17/04

{Seating furniture, e.g.} sofas, couches, settees, or the like, with movable parts {changeable to beds}; Chair beds

References

Application-oriented references

Examples of places where the subject matter of this place is covered when specially adapted, used for a particular purpose, or incorporated in a larger system:

Convertible children's beds	A47D 11/005
Stretchers convertible into chairs	A61G 1/017
Medical beds convertible into a chair	A61G 7/16
Vehicle seats convertible to beds	B60N 2/34

Informative references

Attention is drawn to the following places, which may be of interest for search:

Convertible chairs, stools or benches (except conversion to bed)	A47C 13/00
--	----------------------------

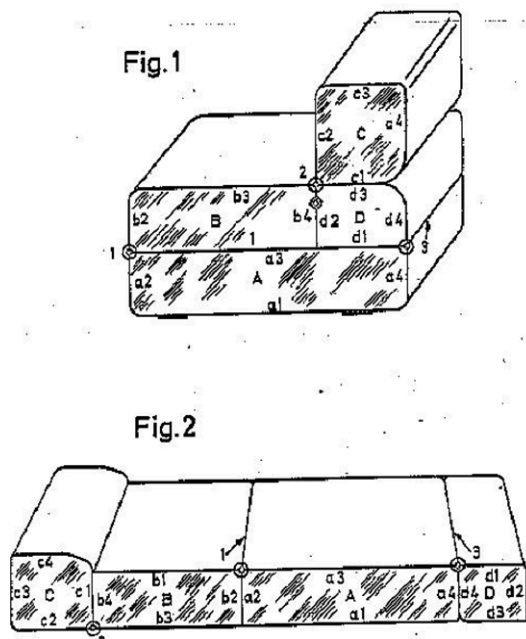
A47C 17/045

{Seating furniture having loose or by fabric hinge connected cushions changeable to beds}

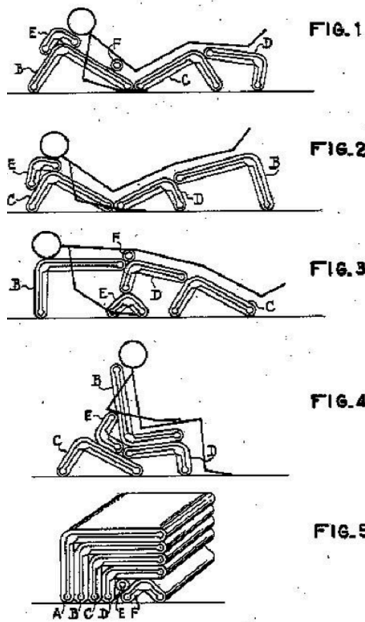
Definition statement

This place covers:

Illustrative example of subject matter classified in this group:



DE2136598



FR2401638

References

Limiting references

This place does not cover:

Several spring, stuffed or fluid mattress/cushions to be put together in one cover	A47C 27/001
--	-----------------------------

A47C 17/12

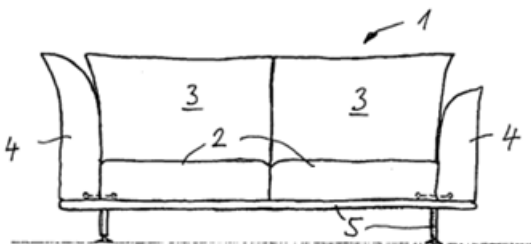
changeable to beds by tilting or extending the arm-rests

Definition statement

This place covers:

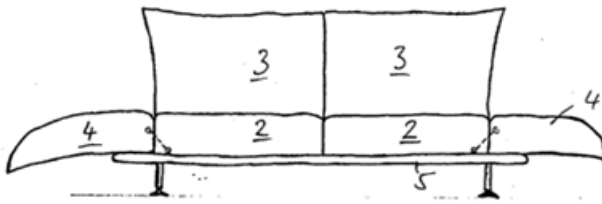
Illustrative example of subject matter classified in this place:

1a.



Definition statement

1b.



References

Informative references

Attention is drawn to the following places, which may be of interest for search:

Chairs with adjustable armrests	A47C 1/03
Non-adjustable support armrests, e.g. movable to inoperative position or of detachable type	A47C 7/54
Chairs with armrest tables	A47C 7/68
Sofa convertible to bed by tilting or pivoting a backrest with tilting or pivoting the armrest	A47C 17/18
Detachable or loose armrest for beds	A47C 20/023
Armrest for disabled persons chairs	A61G 5/125
Armrest for vehicles seats	B60N 2/75

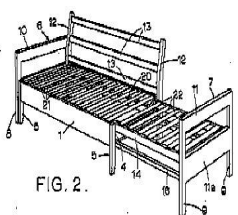
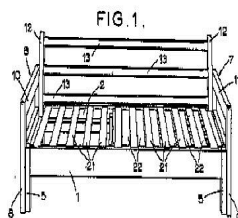
A47C 17/13

{Seating furniture having non-movable backrest} changeable {to beds} by increasing the available {seat} part, e.g. by drawing {seat cushion} forward

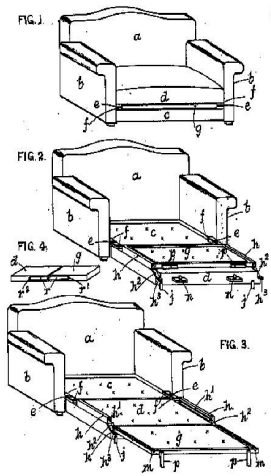
Definition statement

This place covers:

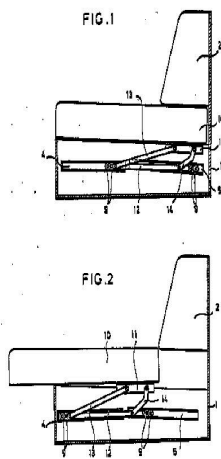
Seating furniture with non-movable backrest convertible to bed by pulling the seat cushion.



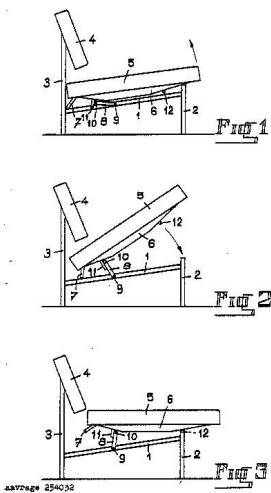
GB1171323



GB406768



DE20007132



NL109206C

References

Limiting references

This place does not cover:

Seating furniture convertible to bed by pivoting the movable-coupled backrests and seat	A47C 17/17
Seating furniture convertible to bed by pivoting the backrest with seat cushion consisting of multiple superposed parts, wherein at list on lower hidden part is sliding forward out of the frame	A47C 17/2073
Seating furniture convertible to bed by pivoting the backrest with seat cushion consisting of multiple superposed parts, wherein at list on lower hidden part is pivoted by linkages out of the frame	A47C 17/2076
Seating furniture with non-movable backrest convertible to bed by uncovering previously hidden	A47C 17/22

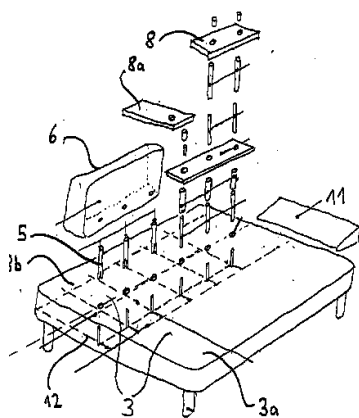
A47C 17/14

changeable to beds by removing parts only

Definition statement

This place covers:

Illustrative example of subject matter classified in this group:



DE202005010087U

References

Limiting references

This place does not cover:

Seating furniture with loose or connected by the fabric hinge cushions, convertible to bed	A47C 17/045
Dismountable bedsteads	A47C 19/005

Informative references

Attention is drawn to the following places, which may be of interest for search:

Dismountable chairs	A47C 4/02
---------------------	---------------------------

Chairs with dismountable or loose backrest	A47C 7/42
Modular seating	A47C 13/005

A47C 17/16

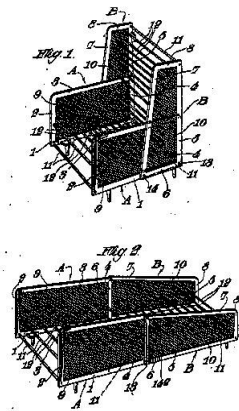
{Seating furniture} changeable to beds by tilting or pivoting the back-rest

Definition statement

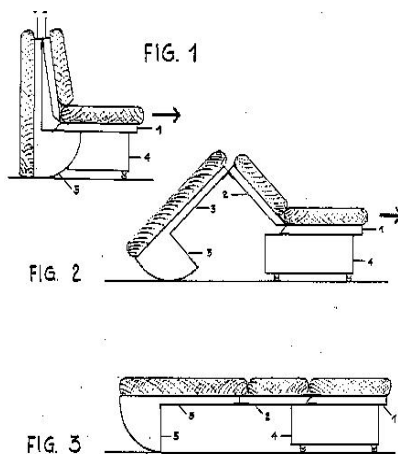
This place covers:

Seating furniture convertible to bed by tilting or pivoting the backrest.

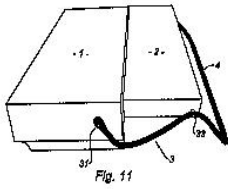
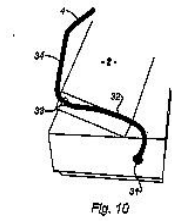
The backrest can also be connected to the movable seat parts.



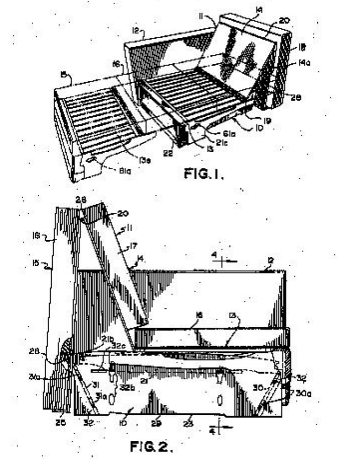
GB883581



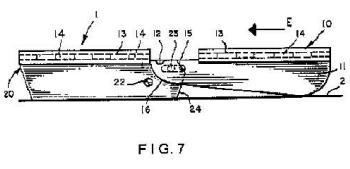
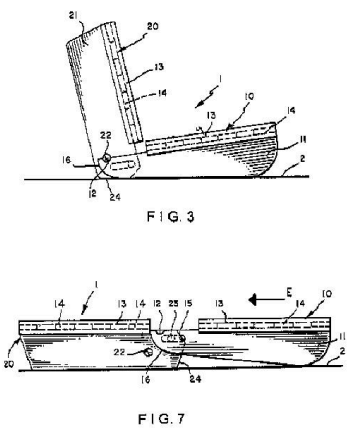
DE4017809



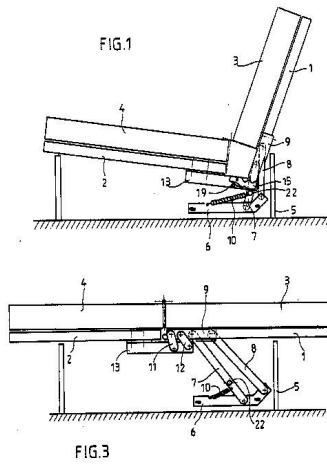
FR2880247



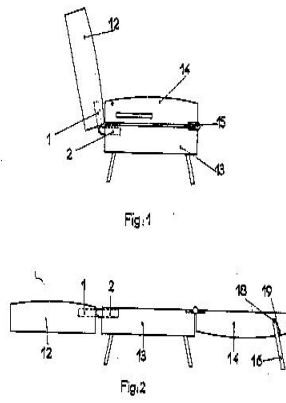
US3867730



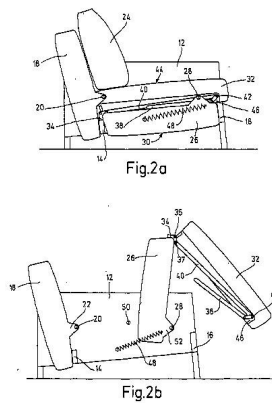
US5956785



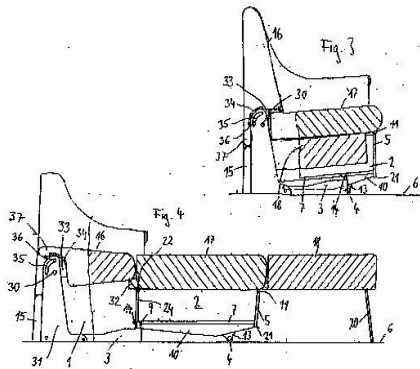
EP395531



FR1385325



EP1208772



DE19750571

References

Limiting references

This place does not cover:

Seating furniture having non-movable backrest changeable to beds by increasing the available seat part, e.g. by drawing seat cushion forward	A47C 17/13
Seating furniture with non-movable backrest convertible to bed by uncovering previously hidden mattress or articulated bed cushions	A47C 17/22

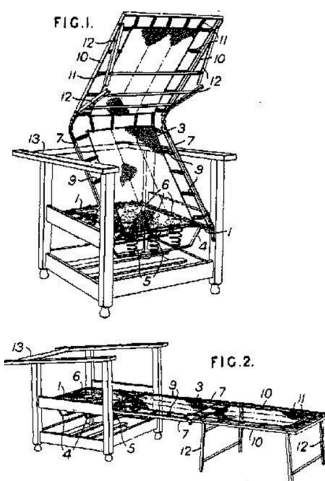
A47C 17/22

{Seating furniture having non-movable back-rest changeable to beds} with means for uncovering a previously hidden mattress or similar bed part

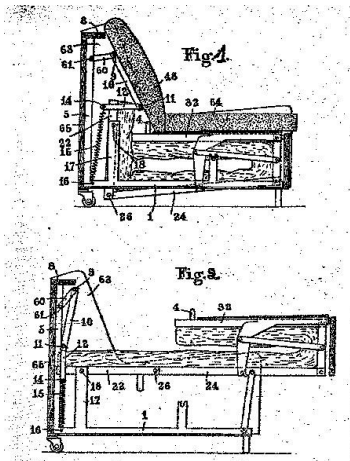
Definition statement

This place covers:

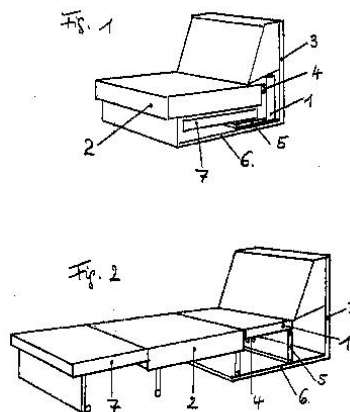
Seating furniture with non-movable backrest convertible to bed by uncovering previously hidden mattress or articulated bed cushions.



GB322523



BE765002



DE20000226U

References

Limiting references

This place does not cover:

Seating furniture convertible to bed by pivoting the backrest thereby uncovering previously hidden parts	A47C 17/20
--	----------------------------

Informative references

Attention is drawn to the following places, which may be of interest for search:

Seating furniture having non-movable backrest changeable to beds by increasing the available seat part, e.g. by drawing seat cushion forward.	A47C 17/13
---	----------------------------

A47C 17/32

Changing a single bed into a double bed by extending, pivoting, or tilting a previously hidden second mattress or other bed part

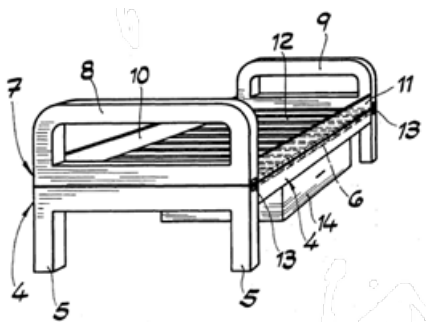
Definition statement

This place covers:

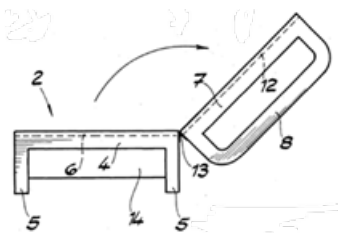
Single bed convertible into a double bed.

Illustrative examples of subject matter classified in this place:

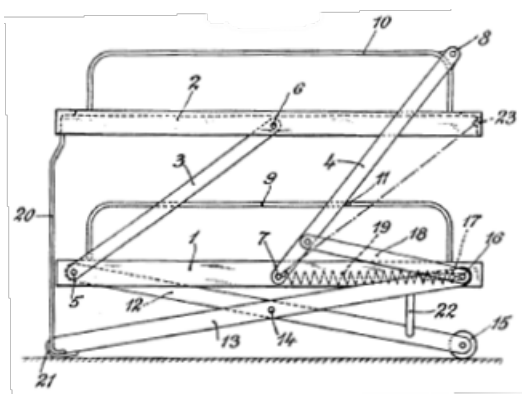
1a.



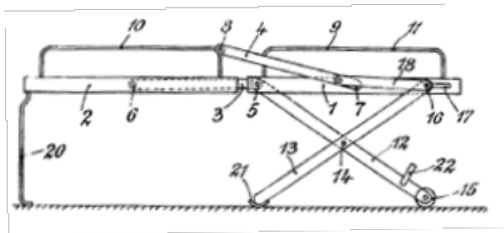
1b.



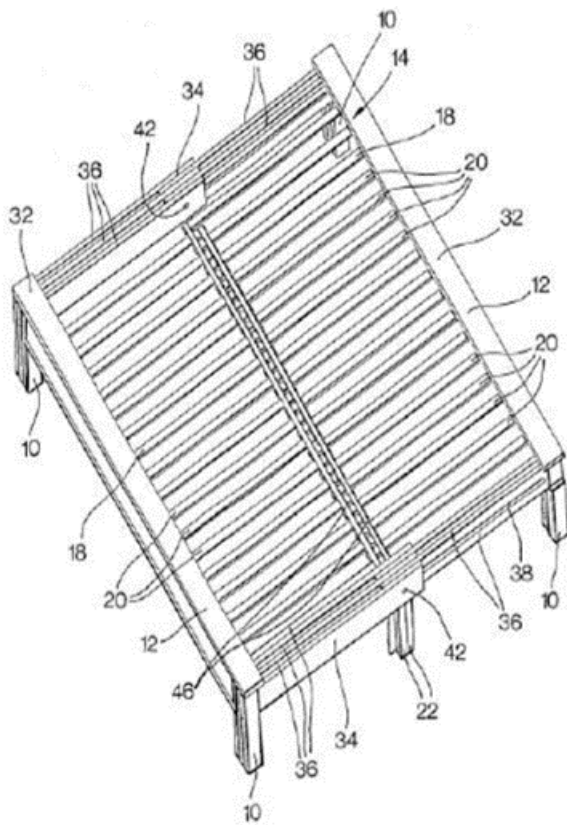
2a.



2b.



3.



References

Informative references

Attention is drawn to the following places, which may be of interest for search:

Changing corner couches into a double bed	A47C 17/36
Parts for jointing separate bedsteads	A47C 19/028
Extendible bedsteads	A47C 19/04
Extensible children's play-pens	A47D 13/068

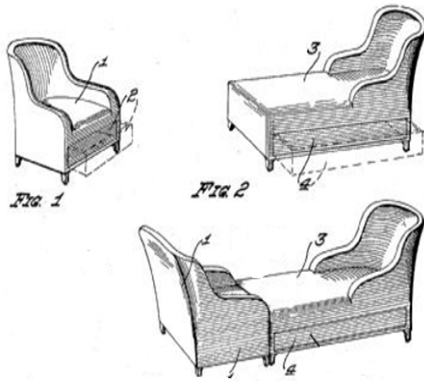
A47C 17/34

Joining seats, chairs, or couches to form beds

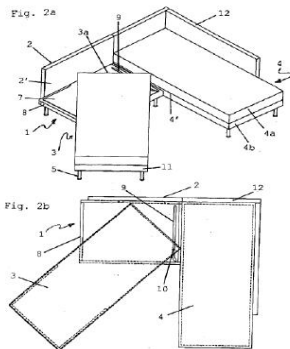
Definition statement

This place covers:

Illustrative example of subject matter classified in this group



US1825055



AT200201891

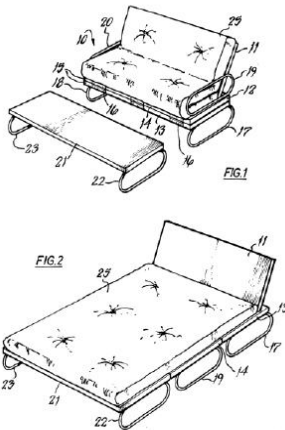
A47C 17/37

Changing sofas or the like into beds by means of furniture other than seats or chairs

Definition statement

This place covers:

Illustrative example of subject matter classified in this group



GB2179849

A47C 17/38

Wall beds

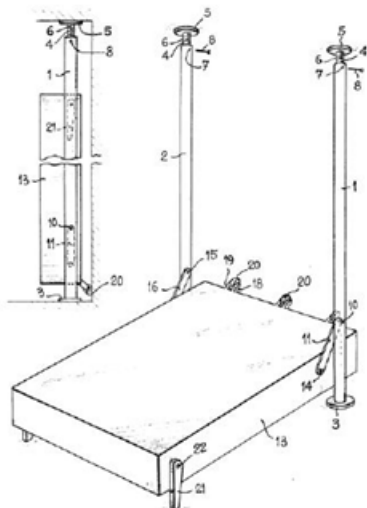
Definition statement

This place covers:

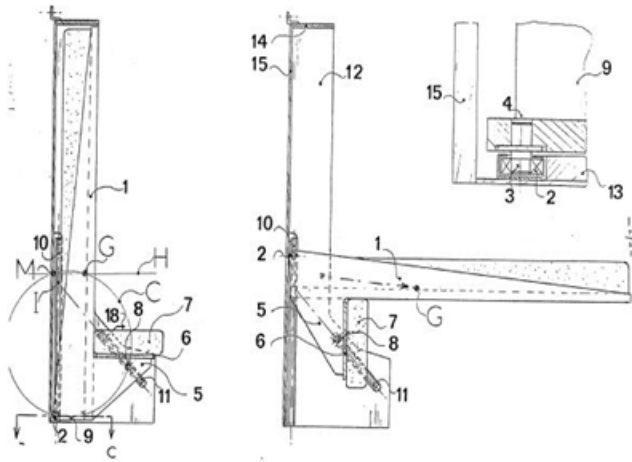
Beds firmly connected to/at the wall.

Illustrative examples of subject matter classified in this place:

1.



2.



References

Informative references

Attention is drawn to the following places, which may be of interest for search:

Seating furniture convertible into beds	A47C 17/04
Cabinet beds; Wardrobe beds	A47C 17/52
Travelling or camp beds	A47C 17/64
Folding bedsteads	A47C 19/12
Wall attached dressing-tables	A47D 5/003

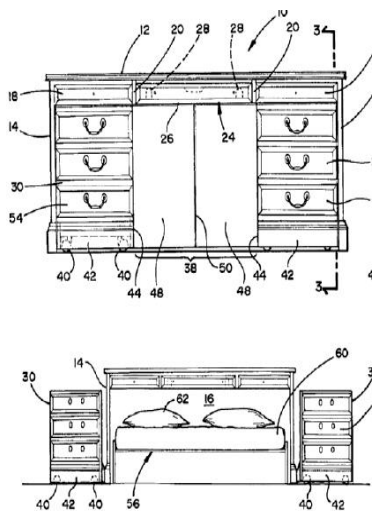
A47C 17/52

Cabinet beds; Table beds, or like beds; Wardrobe beds

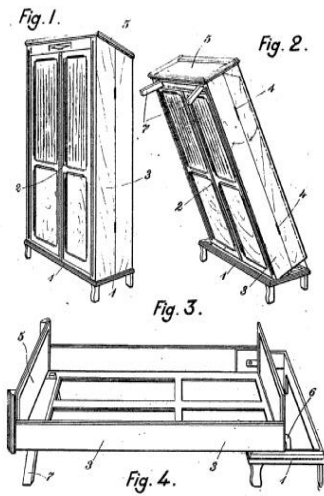
Definition statement

This place covers:

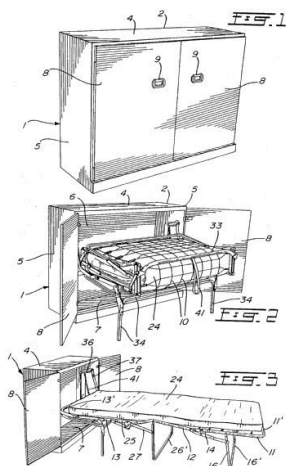
Illustrative example of subject matter classified in this group



US5913769



FR595290



US4631764

References

Limiting references

This place does not cover:

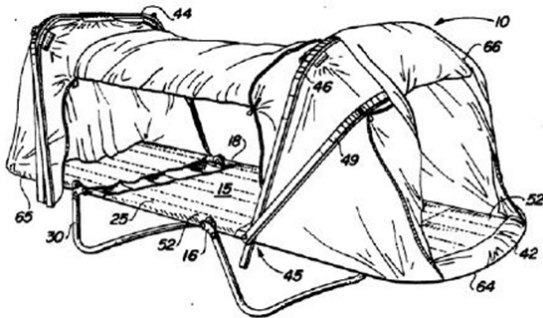
Seating furniture convertible into beds	A47C 17/04
Wall beds	A47C 17/38
Travelling or camp beds	A47C 17/64
Folding bedsteads	A47C 19/12

A47C 17/64**Travelling or camp beds (stretchers [A61G 1/00](#))****Definition statement**

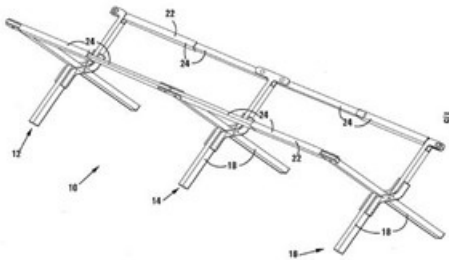
This place covers:

Illustrative examples of subject matter classified in this place:

1.



2.

**References****Limiting references**

This place does not cover:

Stretchers	A61G 1/00
------------	---------------------------

Informative references

Attention is drawn to the following places, which may be of interest for search:

Beach chairs	A47C 1/14
Folding, collapsible or dismantlable chairs	A47C 4/00
Trunk chairs	A47C 4/52
Chairs or stool bases for uneven surfaces	A47C 7/008
Camp, travelling or sport stools	A47C 9/10
Dismountable bedsteads	A47C 19/005
Folding bedsteads	A47C 19/12
Adjusting members for rests	A47C 20/00

Foldable or dismountable spring mattress with rigid frame	A47C 23/005
Self inflating mattresses	A47C 27/084
Bed canopies	A47C 29/003
Mosquito nets	A47C 29/006
Hammocks	A45F 3/22
Travelling or camp sacks or packs convertible into beds or mattresses	A45F 4/06
Foldable dressing tables for children	A47D 5/006
Foldable beds for children	A47D 7/002
Foldable small beds for newborns or infants	A47D 9/005
Foldable play-pens	A47D 13/061

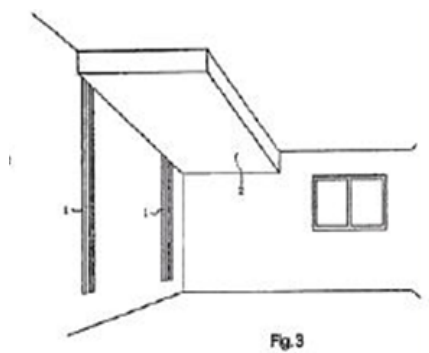
A47C 17/84

Suspended beds, e.g. suspended from ceiling (hammocks [A45F 3/22](#))

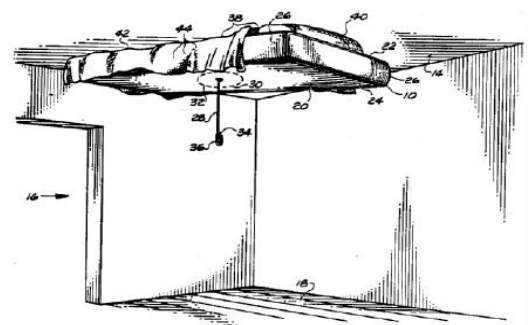
Definition statement

This place covers:

Beds suspended from the horizontal support surface above the bed, e.g. ceiling or movable to non-use position against the ceiling.



GB2276315



US4888836

References

Limiting references

This place does not cover:

Wall beds	A47C 17/38
Hammocks	A45F 3/22

A47C 17/86

Parts or details specially adapted for beds, sofas or couches not fully covered by any single one of groups [A47C 17/02](#) - [A47C 17/84](#)

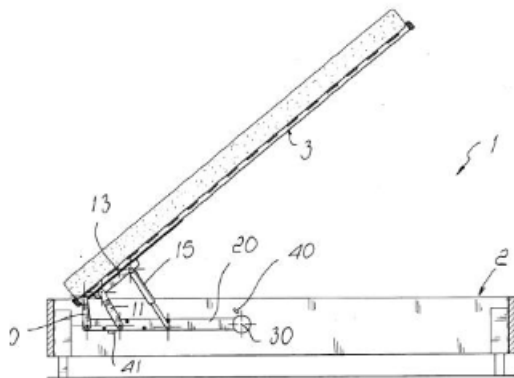
Definition statement

This place covers:

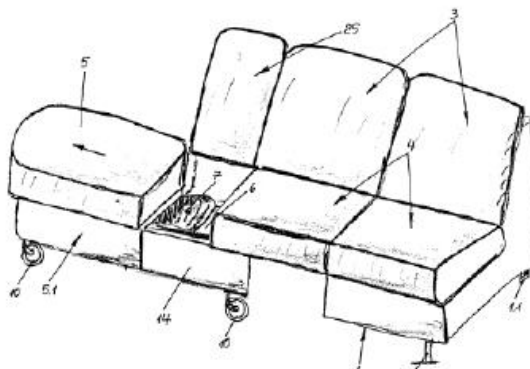
Drawers in or under beds or parts or details for beds, sofas or couches not fully covered in the above groups.

Illustrative examples of subject matter classified in this place:

1.



2.



References

Informative references

Attention is drawn to the following places, which may be of interest for search:

Accessories for chairs	A47C 7/62
Combinations of bedsteads with other additional furniture or with accessories, e.g. with bedside cabinets or tables	A47C 19/22

A47C 19/00

Bedsteads

References

Application-oriented references

Examples of places where the subject matter of this place is covered when specially adapted, used for a particular purpose, or incorporated in a larger system:

Bedsteads for children's beds	A47D 7/00
-------------------------------	---------------------------

Informative references

Attention is drawn to the following places, which may be of interest for search:

Travelling or camp beds	A47C 17/64
Spring mattresses with rigid frame or forming part of the bedstead	A47C 23/00
Stuffed or fluid mattress without a rigid frame for beds or sofas	A47C 27/00
Bed jointing members or fittings for bedsteads	F16B
Fitting for bedsteads	F16B 12/54

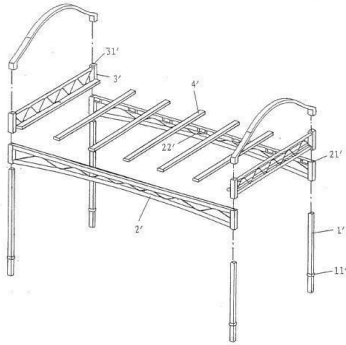
Glossary of terms

In this place, the following terms or expressions are used with the meaning indicated:

bedstead	bed frame having non-elastic support forming lowest part of the bed.
spring mattress with rigid frame	mattress having a rigid frame and elastic elements fixed to the rigid frame. Such mattress can be positioned on top of the bedstead, e.g. box-springs or directly on the floor, e.g. divan or slatted bed bases.
stuffed or fluid mattress	mattress without a rigid frame stuffed with fibrous material, foam, fluid or springs. Such mattress can be placed on top of bedstead, box-spring, or directly on the floor, e.g. futon.

A47C 19/005**{dismountable}****Definition statement***This place covers:*

Beds having detachably interconnected joints configured to be dismantled without causing their destruction.

**References****Limiting references***This place does not cover:*

Dismountable chairs	A47C 4/02
Dismountable travelling or camp beds	A47C 17/645
Foldable or dismountable spring mattress with rigid frame	A47C 23/005
Dismountable children's beds	A47D 7/005
Dismountable children's pens	A47D 13/066
Collapsible stretchers	A61G 1/013

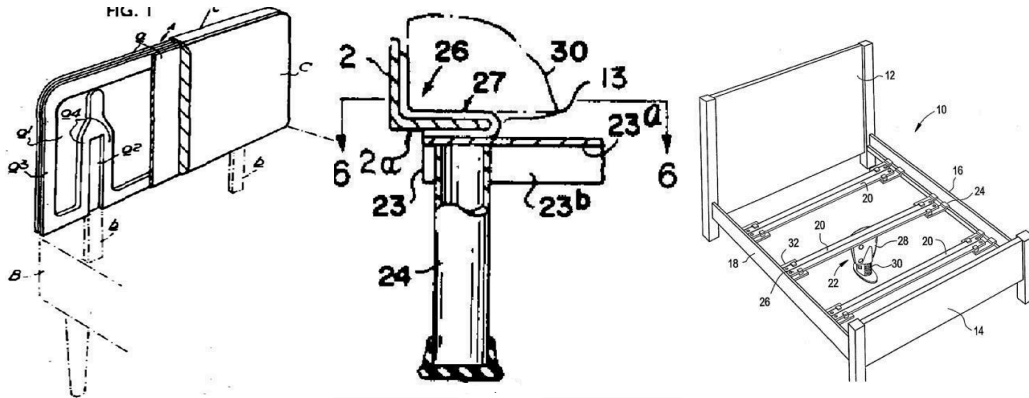
A47C 19/02

Parts or details of bedsteads not fully covered in a single one of the following subgroups, e.g. bed rails, post rails

Definition statement

This place covers:

Parts or details of bedsteads, e.g. bed rails, legs, head or foot boards; cross-bars



WO2005112705

References

Informative references

Attention is drawn to the following places, which may be of interest for search:

Fitting for bedsteads	F16B 12/54
-----------------------	----------------------------

A47C 19/04

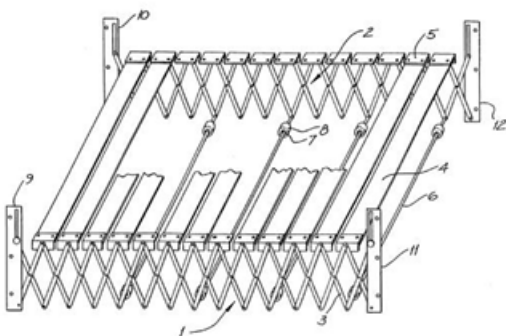
Extensible bedsteads, e.g. with adjustment of length, width, height

Definition statement

This place covers:

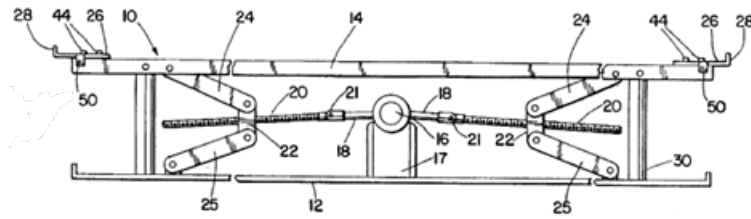
Illustrative examples of subject matter classified in this place:

1.

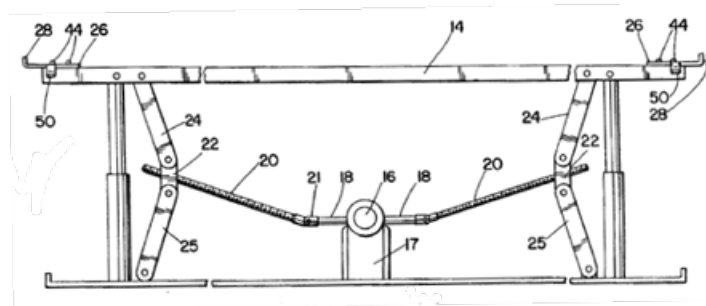


Definition statement

2a.



2b.



References

Application-oriented references

Examples of places where the subject matter of this place is covered when specially adapted, used for a particular purpose, or incorporated in a larger system:

Children's bed with adaptable length to the growth of the children	A47D 7/01
Extensible children's play-pens	A47D 13/068
Medical beds with raising or lowering of the whole mattress frame	A61G 7/012
Operating tables with raising or lowering of the whole table surface	A61G 13/06

Informative references

Attention is drawn to the following places, which may be of interest for search:

Single bed convertible into a double bed by extending, pivoting or tilting	A47C 17/32
--	----------------------------

A47C 19/12

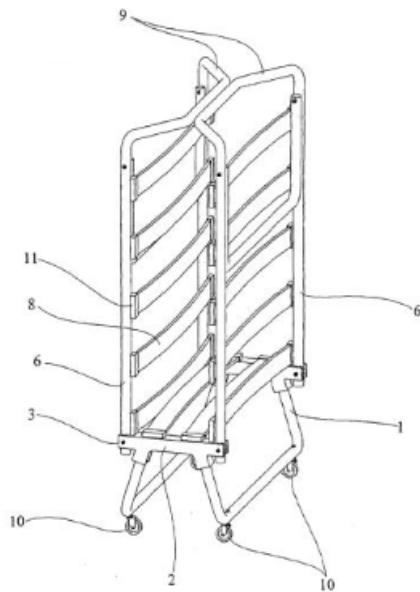
Folding bedsteads

Definition statement

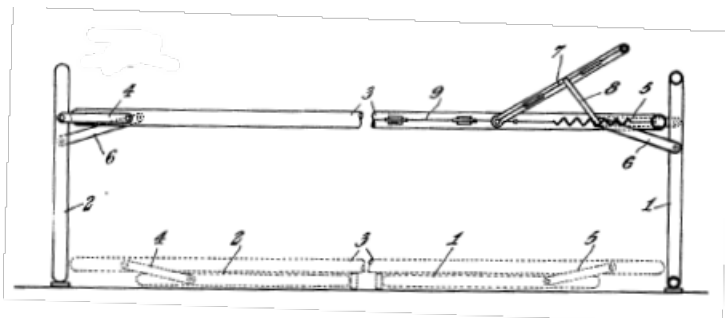
This place covers:

Illustrative examples of subject matter classified in this place:

1.



2.



References

Informative references

Attention is drawn to the following places, which may be of interest for search:

Folding, collapsible or dismantable chairs	A47C 4/00
Seating furniture convertible into beds	A47C 17/04
Travelling or camp beds	A47C 17/64
Dismountable bedsteads	A47C 19/005
Foldable or dismantable spring mattress with rigid frame	A47C 23/005
Foldable dressing tables	A47D 5/006
Foldable beds for children	A47D 7/002
Foldable small beds for newborns or infants	A47D 9/005
Foldable play-pens	A47D 13/061
Foldable or collapsible stretchers	A61G 1/013

A47C 19/20

Multi-stage bedsteads; Bedsteads stackable to multi-stage bedsteads

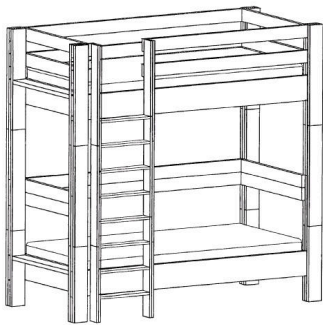
Definition statement

This place covers:

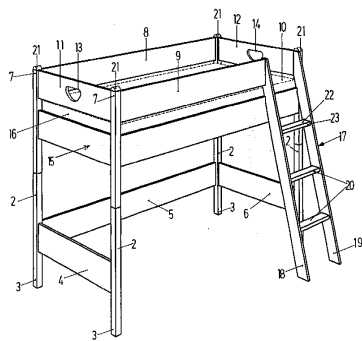
Bunk beds; Mezzanine bed; Stacking or nesting bedsteads.

Illustrative examples of subject matter classified in this place:

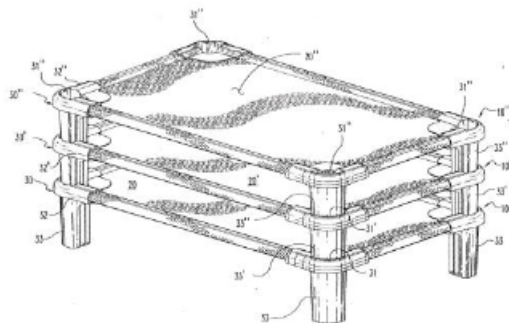
1.



2.



3.



References

Informative references

Attention is drawn to the following places, which may be of interest for search:

Multiple-wall beds	A47C 17/50
Suspended beds	A47C 17/84
Sleeping accommodation for rail vehicles	B61D 31/00
Sleeping accommodation for load-carrying vehicles	B62D 33/0612
Berths for vessels	B63B 29/10

A47C 19/22

Combinations of bedsteads with other furniture or with accessories, e.g. with bedside cabinets

Definition statement

This place covers:

Beds combined with other furniture, e.g. tables, bedside cabinets, etc.

References

Informative references

Attention is drawn to the following places, which may be of interest for search:

Drawers in or under beds	A47C 17/86
Bed-tables	A47B 23/00
Bedside cabinets	A47B 79/00

A47C 20/00

Head-, foot- or like rests for beds, sofas or the like

References

Informative references

Attention is drawn to the following places, which may be of interest for search:

Book-rests or bed-tables	A47B 23/00
Bed-rests specially adapted for nursing	A61G 7/065

A47C 20/02

of detachable type ([A47C 20/04](#), [A47C 20/08](#) take precedence)

Definition statement

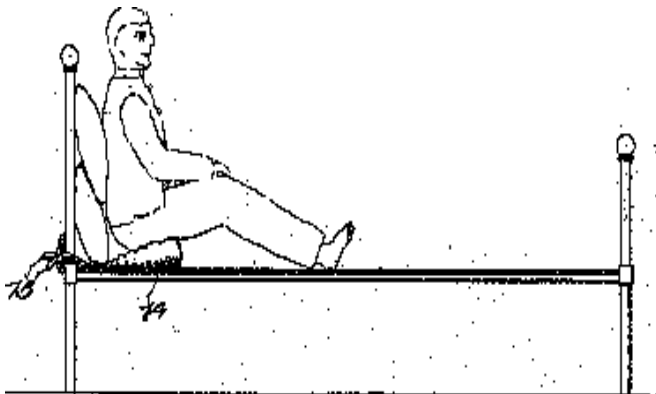
This place covers:

Illustrative examples of subject matter classified in this place:

1.



2.



References

Limiting references

This place does not cover:

Head and foot rests for beds or sofas with adjustable inclination	A47C 20/04
Head and foot rests for beds or sofas with means for adjusting two or more rests simultaneously	A47C 20/08

Application-oriented references

Examples of places where the subject matter of this place is covered when specially adapted, used for a particular purpose, or incorporated in a larger system:

Baby feeding cushions	A47D 13/083
Restraining devices for children's beds	A47D 15/008
Medical beds with head or torso support	A61G 7/07
Medical beds with limbs support	A61G 7/075
Medical beds with rests adapted for lifting patients or disabled persons	A61G 7/10

Informative references

Attention is drawn to the following places, which may be of interest for search:

Detachable or loose seat cushions for chairs or stools	A47C 7/021
Detachable or loose head or neck supports for chairs	A47C 7/383
Detachable or loose back supports for chairs	A47C 7/42
Detachable feet or leg supports for chairs	A47C 7/52
Stand-alone supports for feet, legs, back or head	A47C 16/00
Pillows	A47G 9/10

A47C 20/04

with adjustable inclination ([A47C 20/08](#) takes precedence)

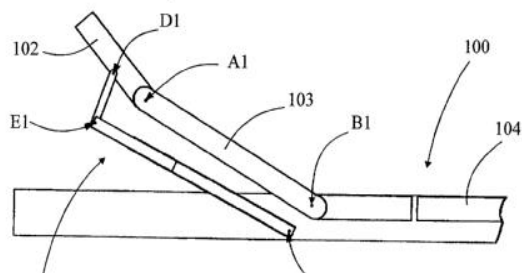
Definition statement

This place covers:

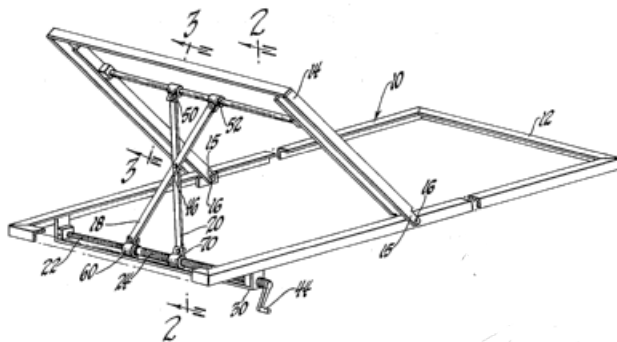
Beds with independently-adjustable backrests, footrests or headrests.

Illustrative examples of subject matter classified in this place:

1.

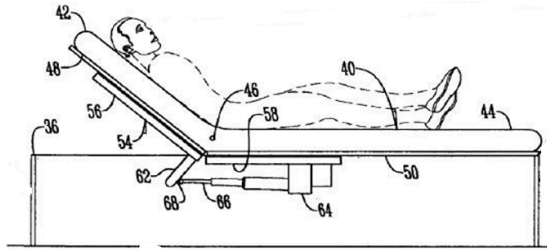


2.

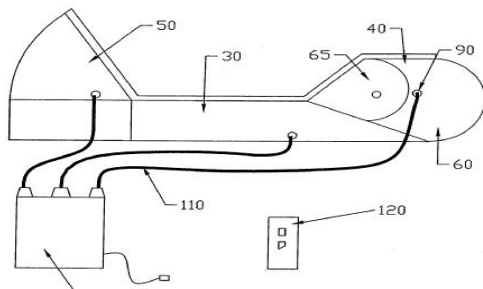


Definition statement

3.



4.



References

Limiting references

This place does not cover:

Beds with two or more rests adjustable simultaneously	A47C 20/08
---	----------------------------

Application-oriented references

Examples of places where the subject matter of this place is covered when specially adapted, used for a particular purpose, or incorporated in a larger system:

Medical beds with adjustable mattress frame	A61G 7/002
Operating tables with adjustable sections	A61G 13/08

Informative references

Attention is drawn to the following places, which may be of interest for search:

Chairs having independently-adjustable supporting parts	A47C 1/022
Chairs having coupled adjustable supporting parts	A47C 1/031
Seating furniture convertible to beds	A47C 17/04
Travelling or camp beds	A47C 17/64
Bedsteads head or foot boards	A47C 19/022
Beds with entire frame height or inclination adjustment	A47C 19/045
Detachable or loose supports for feet, legs, arms, back or head associated with beds	A47C 20/02

A47C 20/08

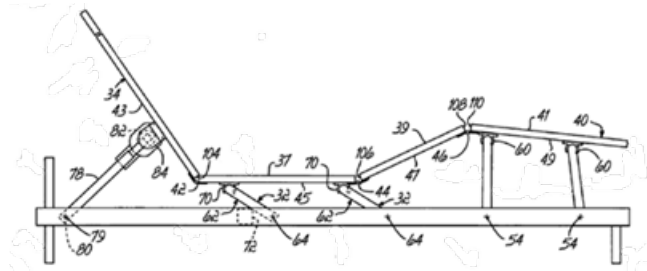
with means for adjusting two or more rests simultaneously

Definition statement

This place covers:

Beds with simultaneously-adjustable backrests, footrests or headrest.

Illustrative example of subject matter classified in this place:



References

Application-oriented references

Examples of places where the subject matter of this place is covered when specially adapted, used for a particular purpose, or incorporated in a larger system:

Medical beds with adjustable mattress frame	A61G 7/002
Medical beds divided in to different adjustable sections, e.g. Gatch position	A61G 7/015
Operating tables with adjustable sections	A61G 13/08

Informative references

Attention is drawn to the following places, which may be of interest for search:

Beds with independently-adjustable backrests, footrests or headrests	A47C 20/04
--	----------------------------

A47C 21/00

Attachments for beds, e.g. sheet holders or bed-cover holders (bed tables supported on the bedstead [A47B 23/02](#)); Ventilating, cooling or heating means in connection with bedsteads or mattresses

Definition statement

This place covers:

Attachments or accessories for beds or mattresses not provided in other parts of classification.

References

Limiting references

This place does not cover:

Bed-tables supported on the bedstead	A47B 23/02
--------------------------------------	----------------------------

Application-oriented references

Examples of places where the subject matter of this place is covered when specially adapted, used for a particular purpose, or incorporated in a larger system:

Attachments for beds, e.g. sheet holders or bed-cover holders, for children's beds	A47D 15/00
--	----------------------------

Informative references

Attention is drawn to the following places, which may be of interest for search:

Accessories for chairs	A47C 7/62
Drawers in or under beds	A47C 17/86
Combinations of bedsteads with other additional furniture or with accessories, e.g. with bedside cabinets or tables	A47C 19/22
Bedside cabinets	A47B 79/00

A47C 21/003

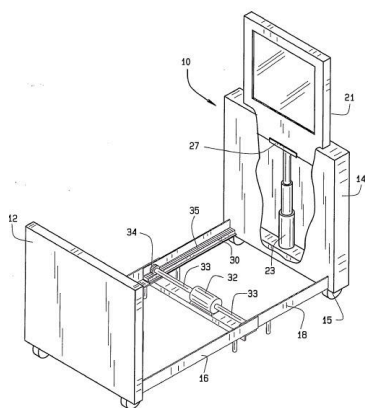
{Lighting, radio, telephone or the like connected to the bedstead}

Definition statement

This place covers:

Beds with electrical appliances, e.g. lighting, radio, telephone, etc.

Illustrative example of subject matter classified in this place:

**References****Informative references**

Attention is drawn to the following places, which may be of interest for search:

Chairs with lighting, radio, telephone or etc.	A47C 7/72
Illuminated bed covers, counterpanes, travelling rugs, sleeping rugs or pillows	A47G 2009/005
Bed covers, counterpanes, travelling rugs, sleeping rugs or pillows with sound equipment	A47G 2009/006
Combination of lighting devices with hospital beds	F21V 33/0072

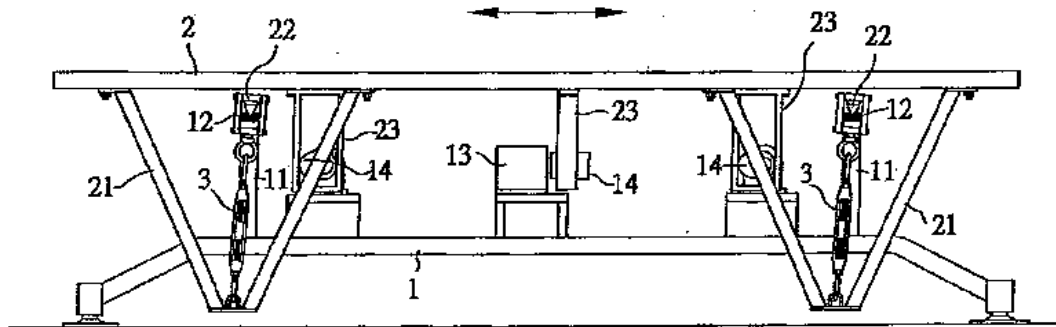
A47C 21/006

{Oscillating, balancing or vibrating mechanisms connected to the bedstead (for children's beds [A47D 9/02](#))}

Definition statement

This place covers:

Beds having mechanisms causing oscillation or vibration of the bed.



DE202006006297U

References

Limiting references

This place does not cover:

Rocking chairs in general	A47C 3/02
Small beds for newborns or infants with rocking mechanisms	A47D 9/02
Children's rocking chairs	A47D 13/105
Medical beds for preventing bed-sores or for supporting patients with burns having alternately movable parts	A61G 7/0573
Beds with massage means	A61H 2201/0149
Swings in general	A63G 9/00
Devices for rocking or oscillating perambulators	B62B 9/22

A47C 21/02

{Holders for loose bed elements, e.g.} sheet holders; bed cover holders

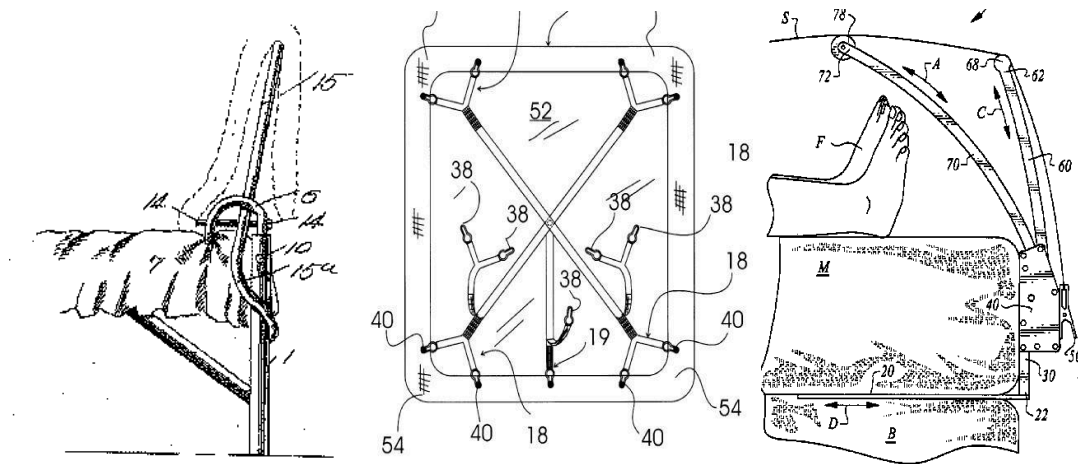
Definition statement

This place covers:

Holders for loose bed elements, e.g. sheet holders, bed cover holders, for airing duvets or covers, pillow holders, mattress holders, holders for facilitating making a bed

A47C 21/022**{Sheet holders; Bed cover holders}****Definition statement***This place covers:*

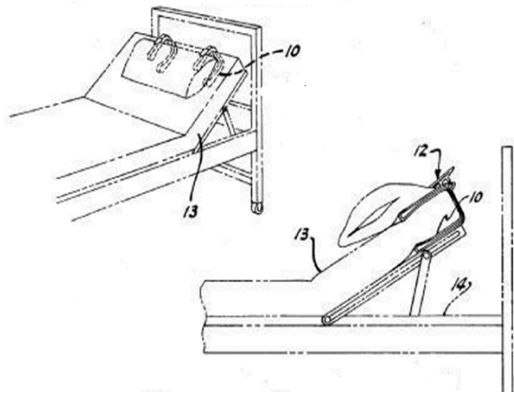
Illustrative example of subject matter classified in this group

**References****Limiting references***This place does not cover:*

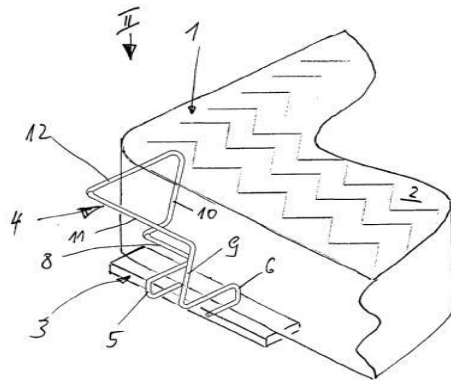
Children's beds with bed-cover holders preventing babies from throwing-off the bed cover	A47D 15/02
Bed-covers; Counterpanes; Travelling rugs; Sleeping rugs; Sleeping bags; Pillows	A47G 9/00
Medical beds with bed-cloth supports to alleviate the weight of the body-cloth on the patient	A61G 7/0501

A47C 21/026**{Pillow holders; Mattress holders}****Definition statement***This place covers:*

Illustrative example of subject matter classified in this group



US3506988



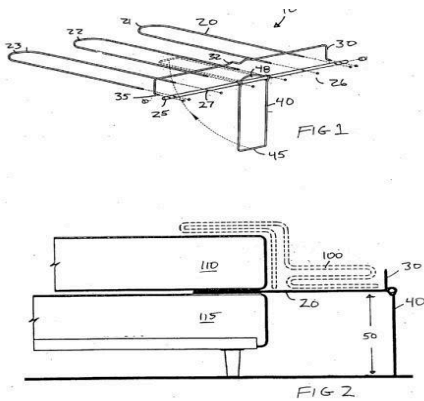
DE29907771U

References**Limiting references***This place does not cover:*

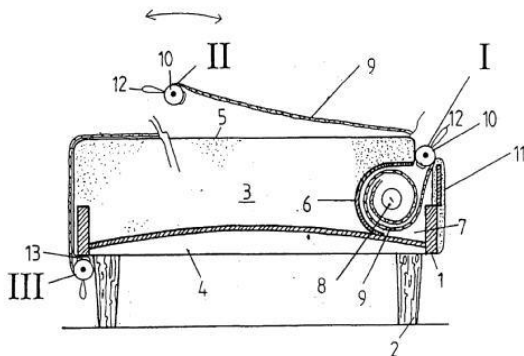
Spring mattresses with ridged frame, e.g. box springs	A47C 23/00
Stuffed or fluid mattress without a rigid frame for beds or sofas	A47C 27/00
Pillows	A47G 9/10

A47C 21/028**{Holders for facilitating making the bed}****Definition statement***This place covers:*

Illustrative example of subject matter classified in this group



US2006075557



WO2003020082

Relationships with other classification places

Medical beds with dispensers of disposable sheets	A61G 7/0502
---	-----------------------------

References**Informative references***Attention is drawn to the following places, which may be of interest for search:*

Beds with entire frame height or inclination adjustment	A47C 19/045
---	-----------------------------

A47C 21/04

Devices for ventilating, cooling or heating

Definition statement

This place covers:

Lying furniture having ventilating, cooling or heating means.

References

Application-oriented references

Examples of places where the subject matter of this place is covered when specially adapted, used for a particular purpose, or incorporated in a larger system:

Medical beds for preventing bed-sores with ventilating means	A61G 7/05784
Heating or ventilating devices for vehicle seats	B60N 2/56

Informative references

Attention is drawn to the following places, which may be of interest for search:

Chairs with ventilating, cooling or heating devices	A47C 7/74
Pillows with cooling or heating means	A47G 9/1036
Heating or cooling appliances for medical or therapeutic treatment of the human body	A61F 7/00

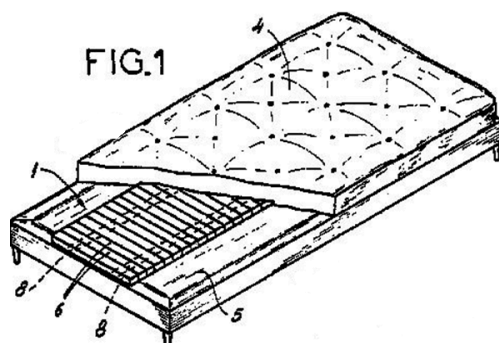
A47C 21/06

Mattress underlays {(mattress tickings or covers [A47C 27/002](#))}

Definition statement

This place covers:

Mattress underlays are layers or inserts positioned between bed-frame/box- spring and the upper mattress to increase the upper mattress ventilation, firmness or protect from damage.



FR2624711

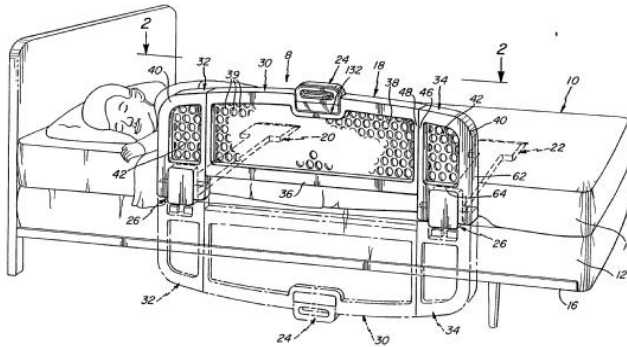
A47C 21/08

Devices for prevention against falling-out, e.g. detachable side walls

Definition statement

This place covers:

Illustrative example of subject matter classified in this place:



References

Application-oriented references

Examples of places where the subject matter of this place is covered when specially adapted, used for a particular purpose, or incorporated in a larger system:

Devices for prevention against falling-out, e.g. detachable side walls, for children's beds	A47D 7/00
Small beds for newborns or infants	A47D 9/00
Children's play-pans	A47D 13/06
Restrain devices for children's beds	A47D 15/008
Side bolsters for medical beds	A61G 7/0507
Side-rails for medical beds	A61G 7/0525

A47C 23/00

Spring mattresses with rigid frame or forming part of the bedstead, e.g. box springs; Divan bases; Slatted bed bases

References

Informative references

Attention is drawn to the following places, which may be of interest for search:

Bedsteads	A47C 19/00
Stuffed or fluid mattress without a rigid frame for beds or sofas	A47C 27/00
Upholstery attaching means	A47C 31/02
Springs in general	F16F
Testing of furniture, e.g. seats or mattresses	G01M 99/001

Glossary of terms

In this place, the following terms or expressions are used with the meaning indicated:

Bedstead	Bed frame having non-elastic support forming lowest part of the bed
Spring mattress with rigid frame	Mattress having a rigid frame and elastic elements fixed to the rigid frame. Such mattress can be positioned on top of the bedstead, e.g. box-springs or directly on the floor, e.g. divan or slatted bed bases
Stuffed or fluid mattress	Mattress without a rigid frame stuffed with fibrous material, foam, fluid or springs. Such mattress can be placed on top of bedstead, box-spring, or directly on the floor, e.g. futon.

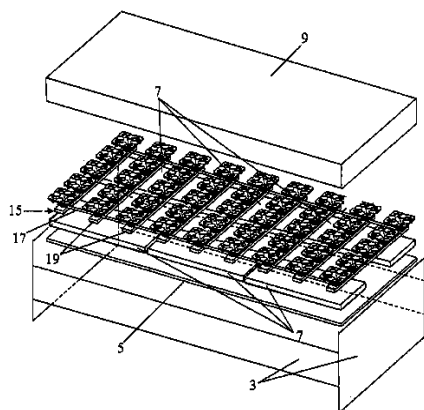
A47C 23/002

{with separate resilient support elements, e.g. elastomeric springs arranged in a two-dimensional matrix pattern}

Definition statement

This place covers:

Illustrative example of subject matter classified in this group



NL1021778C

References

Informative references

Attention is drawn to the following places, which may be of interest for search:

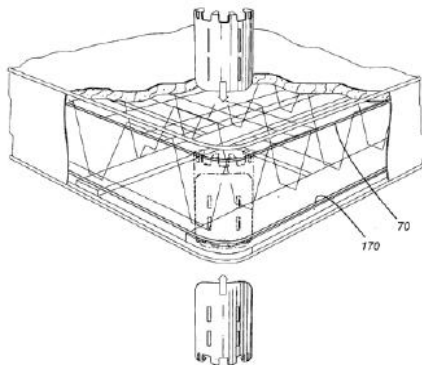
Spring mattress with rigid frame having springs of special type	A47C 23/0438
---	------------------------------

A47C 23/005**{foldable or dismountable}****References****Limiting references***This place does not cover:*

Foldable travelling or camp beds	A47C 17/68 , A47C 17/70 , A47C 17/74
Dismountable bedsteads	A47C 19/005
Folding bedsteads	A47C 19/12

A47C 23/007**{Edge stiffeners (for chair seats [A47C 7/342](#); for stuffed mattresses [A47C 27/06](#))}****Definition statement***This place covers:*

Illustrative example of subject matter classified in this group



US2007011818

References**Limiting references***This place does not cover:*

Chairs with seat having compressed springs with edge reinforcement	A47C 7/342
Stuffed or fluid mattresses without a rigid frame having ticking or covers with edge welts or rolls	A47C 27/003
Stuffed or fluid mattresses without a rigid frame having spring inlays with edge stiffeners	A47C 27/066
Edge welts for upholstery in general	B68G 7/105

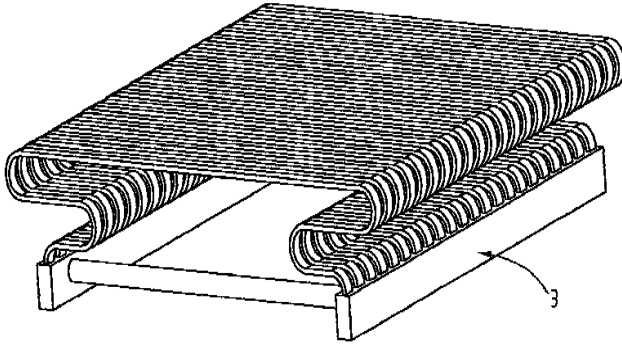
A47C 23/02

using leaf springs, e.g. metal strips (wooden springs [A47C 23/06](#))

Definition statement

This place covers:

Illustrative example of subject matter classified in this group



WO2007049135

References**Limiting references**

This place does not cover:

Chairs with movable-coupled seat and backrest characterised by leaf spring	A47C 1/03277
Chairs with tensioned springs, e.g. of flat type	A47C 7/28
Chairs with elastically-mounted backrest or backrest-seat-unit in the base frame characterised by leaf springs	A47C 7/445
Slatted wooden bed bases	A47C 23/06
Mattress with rigid frame using tensioned springs, e.g. flat type	A47C 23/12

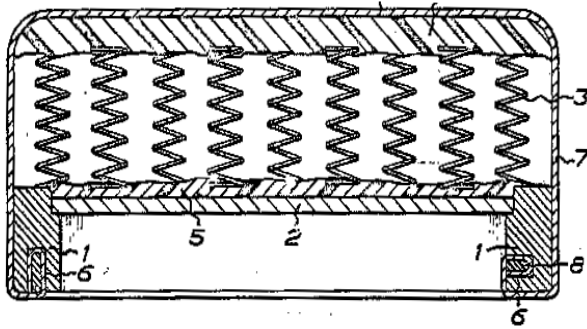
A47C 23/04

using springs in compression, e.g. coiled

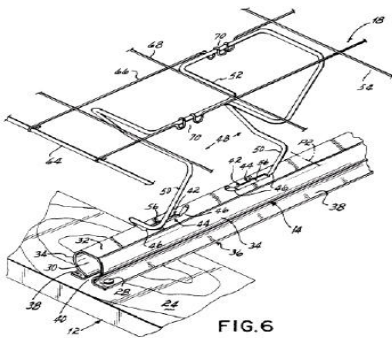
Definition statement

This place covers:

Illustrative example of subject matter classified in this group



DE2536882



DE2536882

References**Limiting references**

This place does not cover:

Chairs with seat parts having springs in compression, e.g. coil springs	A47C 7/34
Spring mattresses with rigid frame having combination of nets with springs in compression	A47C 23/32
Stuffed or fluid mattress without a rigid frame for beds or sofas with spring inlays	A47C 27/04
Upholstery attaching means	A47C 31/02
Making wire network, e.g. wire nets for spring mattresses	B21F 27/16
Mounting of mattress innersprings on border frames	B21F 33/025
Springs in general	F16F

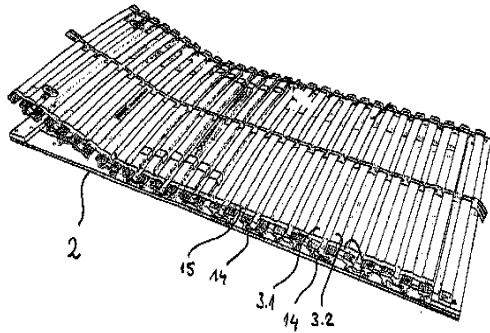
A47C 23/06

using wooden springs, e.g. of slat type {; Slatted bed bases}

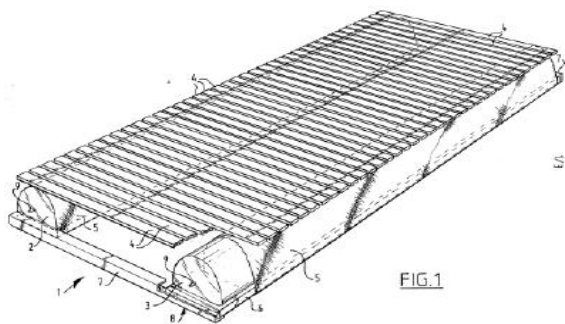
Definition statement

This place covers:

Illustrative example of subject matter classified in this group



DE202009005204U



WO9917640

References**Limiting references**

This place does not cover:

Spring mattresses with rigid frame with leaf springs	A47C 23/02
Mattress with rigid frame using tensioned springs, e.g. flat type	A47C 23/12

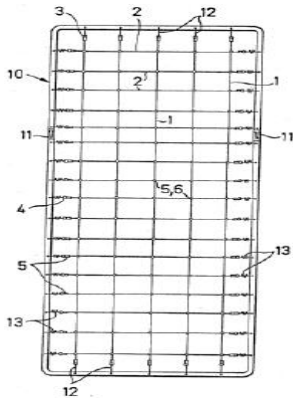
A47C 23/12

using tensioned springs, e.g. flat type ([A47C 23/02](#) takes precedence)

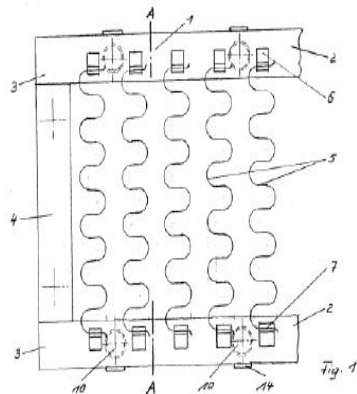
Definition statement

This place covers:

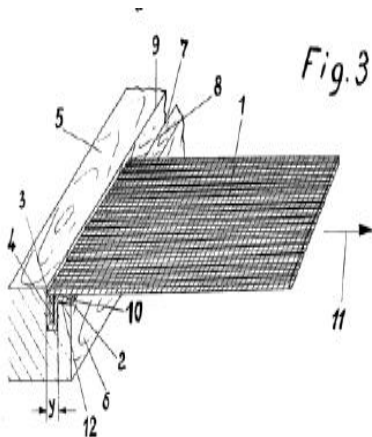
Illustrative example of subject matter classified in this group



NL7302612



DE19913523



DE1237745

References

Limiting references

This place does not cover:

Chairs with tensioned springs, e.g. of flat type	A47C 7/28
Spring mattresses with rigid frame with leaf springs	A47C 23/02
Slatted wooden bed bases	A47C 23/06

A47C 23/30

using combinations of springs covered by more than one of the groups
[A47C 23/02](#) - [A47C 23/12](#); Frames therefor

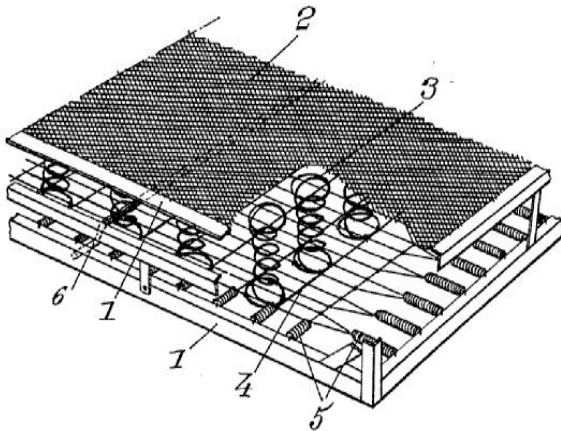
Definition statement

This place covers:

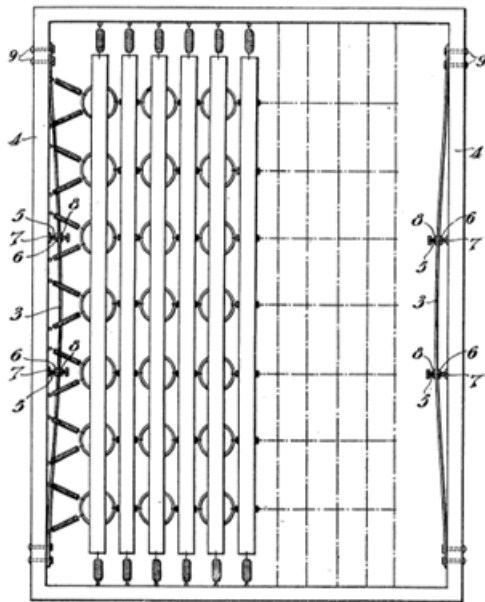
Mattresses with rigid frame using combination of compressed springs, wooden springs or tensioned springs.

Illustrative examples of subject matter classified in this place:

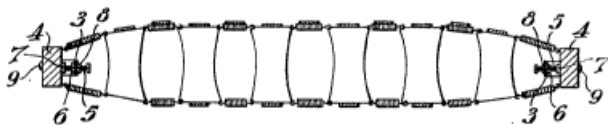
1.



2a.



2b.



References

Informative references

Attention is drawn to the following places, which may be of interest for search:

Chairs with seats having combination of different springs	A47C 7/35
---	---------------------------

A47C 27/00

Spring, stuffed or fluid mattresses {or cushions} specially adapted for chairs, beds or sofas

Definition statement

This place covers:

Stuffed or fluid mattress without a rigid frame for chairs, beds or sofas

References

Application-oriented references

Examples of places where the subject matter of this place is covered when specially adapted, used for a particular purpose, or incorporated in a larger system:

Mattresses for children's beds	A47D 15/001
Medical beds with arrangement for preventing bed-sores or for supporting the patients with burns	A61G 7/057

Informative references

Attention is drawn to the following places, which may be of interest for search:

Chairs with detachable or loose seat cushions	A47C 7/021
Bedsteads	A47C 19/00
Mattresses with rigid frame, e.g. spring boxes	A47C 23/00
Upholstery attaching means	A47C 31/02
Sacks or packs convertible into beds or mattresses	A45F 4/06
Show stands for furniture e.g. beds or mattresses	A47F 7/30
Making wire network, e.g. wire nets for spring mattresses	B21F 27/16
Production of upholstery by moulding	B29L 2031/58
Production of mattresses or cushion by moulding	B29L 2031/751
Resilient upholstery pads in general	B68G 5/00
Manufacturing mattresses	B68G 7/00
Machines for sewing quilts or mattresses	D05B 11/00
Springs in general	F16F
Testing of furniture, e.g. seats or mattresses	G01M 99/001

Glossary of terms

In this place, the following terms or expressions are used with the meaning indicated:

Bedstead	Bed frame having non-elastic support forming lowest part of the bed
Spring mattress with rigid frame	Mattress having a rigid frame and elastic elements fixed to the rigid frame. Such mattress can be positioned on top of the bedstead, e.g. box-springs or directly on the floor, e.g. divan or slatted bed bases
Stuffed or fluid mattress	Mattress without a rigid frame stuffed with fibrous material, foam, fluid or springs. Such mattress can be placed on top of bedstead, box-spring, or directly on the floor, e.g. futon.

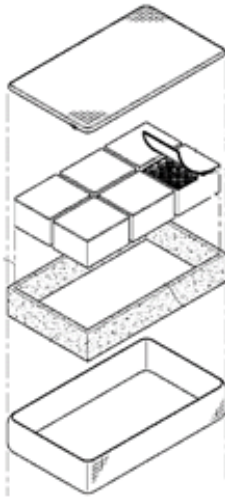
A47C 27/001

{with several cushions, mattresses or the like, to be put together in one cover}

Definition statement

This place covers:

Illustrative example of subject matter classified in this group

**References****Application-oriented references**

Examples of places where the subject matter of this place is covered when specially adapted, used for a particular purpose, or incorporated in a larger system:

Medical beds with arrangements for preventing bed-sores having modules blocks, or inserts, with layer of different material	A61G 7/05715
---	------------------------------

Informative references

Attention is drawn to the following places, which may be of interest for search:

Seating furniture convertible to bed with loose or connected by the fabric hinge cushions	A47C 17/045
Foamed mattresses with several layers	A47C 27/15

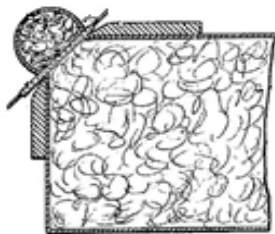
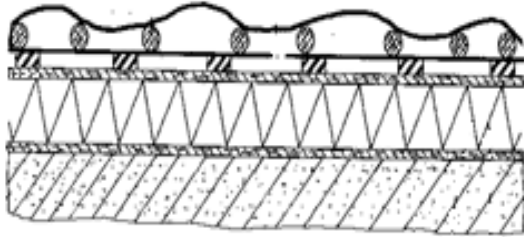
A47C 27/002

{**Mattress or cushion tickings or covers (bed linen, blankets or counterpanes**
[A47G 9/02](#))}

Definition statement

This place covers:

Mattress tickings or cover forming integral part of the mattress

**References****Limiting references**

This place does not cover:

Bed linens, blankets, or Counterpanes	A47G 9/02
---------------------------------------	---------------------------

Application-oriented references

Examples of places where the subject matter of this place is covered when specially adapted, used for a particular purpose, or incorporated in a larger system:

Medical beds with dispensers of disposable sheets	A61G 7/0502
---	-----------------------------

Informative references

Attention is drawn to the following places, which may be of interest for search:

Beds with sheet holders or bed cover holders	A47C 21/02
Use of three-dimensional fabrics	A47C 31/006
Anti-mite, anti-allergen or anti-bacterial means	A47C 31/007
Mattress hand straps	A47C 31/08
Loose or removable mattress covers	A47C 31/105
Travelling rugs; Sleeping rugs	A47G 9/06
Sleeping bags	A47G 9/08

Devices for preventing wetting or pollution of the bed, e.g. absorbent protective pads	A61F 5/48
--	---------------------------

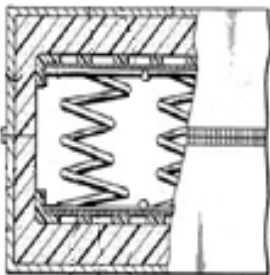
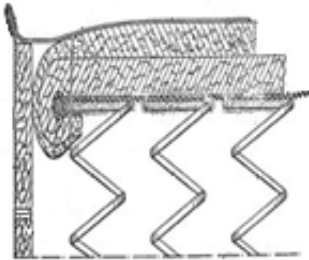
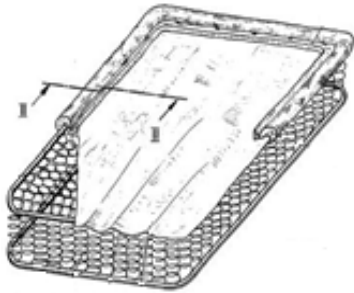
A47C 27/04

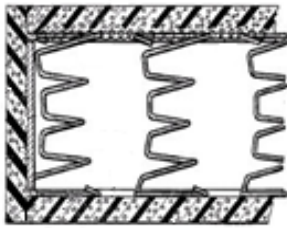
with spring inlays ([A47C 27/20](#) takes precedence)

Definition statement

This place covers:

Mattresses without a rigid frame stuffed with springs e.g. helical springs





References

Limiting references

This place does not cover:

Foamed mattresses with springs moulded in, or situated in cavities or openings in foam materials	A47C 27/20
--	----------------------------

Informative references

Attention is drawn to the following places, which may be of interest for search:

Chairs with seat parts having springs in compression, e.g. coil springs	A47C 7/34
Spring mattresses with rigid frame having springs in compression, e.g. coiled springs	A47C 23/04
Spring mattress with rigid frame having combination of nets with springs in compression	A47C 23/32
Upholstery attaching means	A47C 31/02
Manufacturing mattresses	B68G 7/00
Springs in general	F16F

A47C 27/045

Attachment of spring inlays to coverings; Use of stiffening sheets, lattices or grids under spring inlays

References**Informative references**

Attention is drawn to the following places, which may be of interest for search:

Upholstery attaching means for chairs, beds or the like	A47C 31/02
---	----------------------------

A47C 27/08

Fluid mattresses

References**Informative references**

Attention is drawn to the following places, which may be of interest for search:

Connecting valves to inflatable elastic bodies	B60C 29/00
--	----------------------------

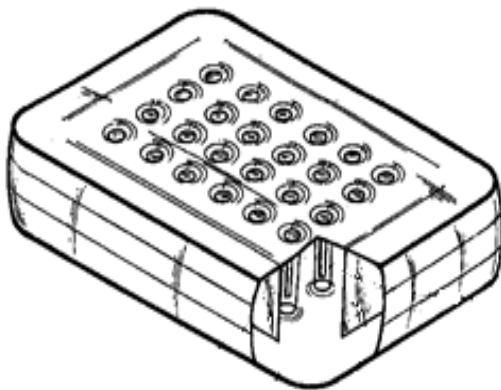
A47C 27/081

{of pneumatic type}

Definition statement

This place covers:

Illustrative example of subject matter classified in this group

**References****Application-oriented references**

Examples of places where the subject matter of this place is covered when specially adapted, used for a particular purpose, or incorporated in a larger system:

Medical beds with arrangements for preventing the bed-sores having inflatable chambers	A61G 7/05769
--	------------------------------

Vehicle seats with hydro-pneumatic adjustments of the shape	B60N 2/914 , B60N 2/7082
---	---

Informative references

Attention is drawn to the following places, which may be of interest for search:

Inflatable chairs	A47C 4/54
Chairs with lumbar support adjustable by fluid means	A47C 7/467
Beds with fluid means adjustable inclination	A47C 20/048
Spring mattresses with rigid frame with inflatable elements	A47C 23/047
Liquid mattresses	A47C 27/085
Fluid mattress with means for connecting opposite sides of the mattress, e.g. internal ties or strips	A47C 27/087
Fluid mattress filled with elastic bodies, e.g. foam	A47C 27/088
Fluid mattress with plurality independently-fillable chambers	A47C 27/10
Fibrous mattresses with inflatable elements	A47C 27/128
Foam mattresses with inflatable bodies	A47C 27/18
Bed covers, counterpanes, travelling rugs or sleeping rugs with inflatable means	A47G 2009/003
Inflatable pillows	A47G 9/1027
Devices for lowering persons from buildings by making use of jumping devices, e.g. jumping-mattresses	A62B 1/22
Tents or canopies with inflatable mattresses	E04H 2015/208

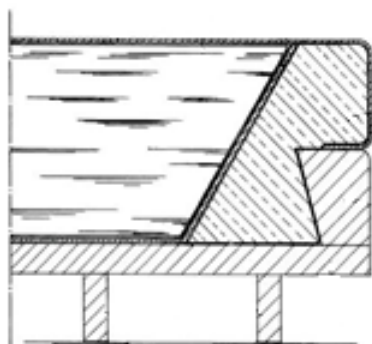
A47C 27/085

{of liquid type, e.g. filled with water or gel}

Definition statement

This place covers:

Illustrative example of subject matter classified in this group



References

Application-oriented references

Examples of places where the subject matter of this place is covered when specially adapted, used for a particular purpose, or incorporated in a larger system:

Medical beds with arrangements for preventing the bed-sores having fluid like particles, e.g. sand, mud, seeds, gel, beads	A61G 7/05738
--	------------------------------

Informative references

Attention is drawn to the following places, which may be of interest for search:

Fluid mattress filled with elastic bodies, e.g. foam	A47C 27/088
Fluid mattress with plurality independently-fillable chambers	A47C 27/10
Bed covers, counterpanes, travelling rugs or sleeping rugs with liquid means	A47G 2009/008

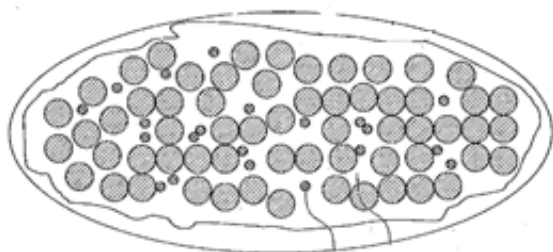
A47C 27/086

{with fluid-like particles, e.g. filled with beads}

Definition statement

This place covers:

Mattresses or cushions filled with beans, balls, beads, granules, seeds, pellets, spheres, chips or other small particles



References

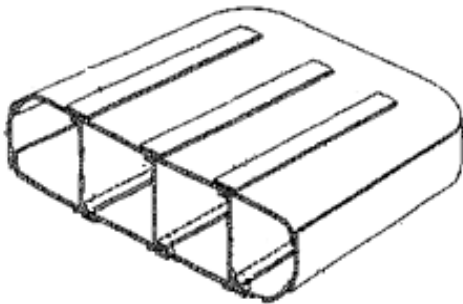
Application-oriented references

Examples of places where the subject matter of this place is covered when specially adapted, used for a particular purpose, or incorporated in a larger system:

Medical beds with arrangements for preventing the bed-sores having fluid like particles, e.g. sand, mud, seeds, gel, beads	A61G 7/05738
--	------------------------------

A47C 27/087**{with means for connecting opposite sides, e.g. internal ties or strips}****Definition statement***This place covers:*

Illustrative example of subject matter classified in this group

**A47C 27/088****{incorporating elastic bodies, e.g. foam}****Definition statement***This place covers:*

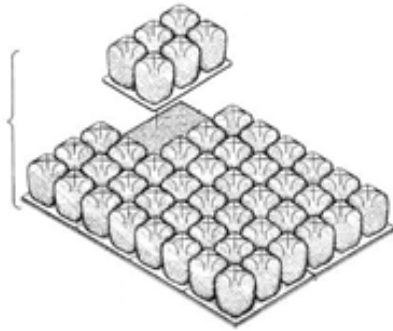
Fluid mattresses filled with elastic bodies, e.g. foam spring or coil springs, forming additional suspension inside the mattress

References***Informative references****Attention is drawn to the following places, which may be of interest for search:*

Fluid-like particles mattresses or cushions, e.g. filled with beads	A47C 27/086
Foam mattresses with inflatable bodies	A47C 27/18

A47C 27/10**with two or more independently-fillable chambers****Definition statement***This place covers:*

Illustrative example of subject matter classified in this group

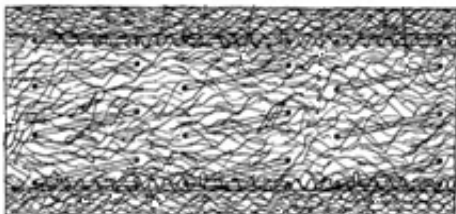
**References****Application-oriented references**

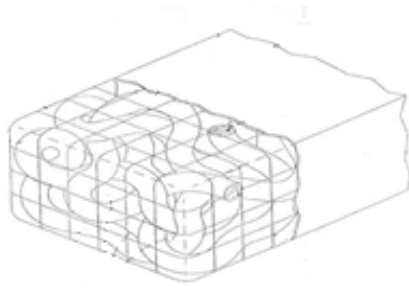
Examples of places where the subject matter of this place is covered when specially adapted, used for a particular purpose, or incorporated in a larger system:

Medical beds with arrangements for preventing the bed-sores having two groups of alternately inflated chambers	A61G 7/05776
Vehicle seats with hydro-pneumatic adjustments of the shape	B60N 2/914 , B60N 2/7082

A47C 27/12**with fibrous inlays, e.g. made of wool, of cotton****Definition statement***This place covers:*

Illustrative example of subject matter classified in this group





References

Application-oriented references

Examples of places where the subject matter of this place is covered when specially adapted, used for a particular purpose, or incorporated in a larger system:

Mattresses for children's beds	A47D 15/001
--------------------------------	-----------------------------

Informative references

Attention is drawn to the following places, which may be of interest for search:

Mattresses with both fibrous and foamed inlays	A47C 27/22
Finishing upholstery mainly composed of fibrous material	B68G 11/02

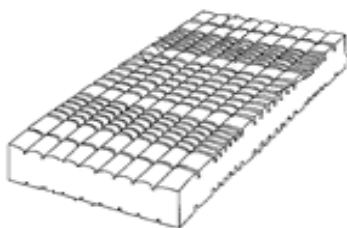
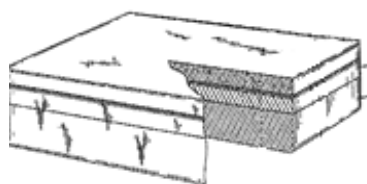
A47C 27/14

with foamed material inlays

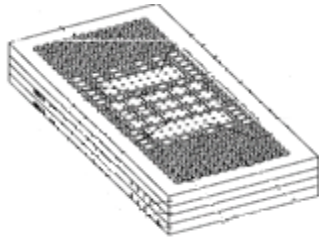
Definition statement

This place covers:

Illustrative example of subject matter classified in this group



Definition statement



References

Application-oriented references

Examples of places where the subject matter of this place is covered when specially adapted, used for a particular purpose, or incorporated in a larger system:

Mattresses for children's beds	A47D 15/001
Medical beds with arrangements for preventing the bed-sores having integral body-bearing projections or protuberances	A61G 7/05707
Medical beds with arrangements for preventing the bed-sores having modules blocks, or inserts, with layers of different material	A61G 7/05715
Medical beds with arrangements for preventing the bed-sores having cut-outs or depressions in order to relieve the pressure on the parts of the body	A61G 7/05723

Informative references

Attention is drawn to the following places, which may be of interest for search:

Chairs completely made of foam material	A47C 5/125
Chairs with seats having foamed material including in cushioning part	A47C 7/18
Stuffed mattresses for beds or sofas with spring inlays having foam material in top, bottom or side layers	A47C 27/05
Fluid-like particles mattresses, e.g. filled with beads	A47C 27/086
Fluid mattress filled with elastic bodies, e.g. foam	A47C 27/088
Mattresses with both fibrous and foamed inlays	A47C 27/22
Production of upholstery by moulding	B29L 2031/58
Production of mattresses or cushion by moulding	B29L 2031/751
Production of seats by moulding	B29L 2031/771
Resilient upholstery pads of cellular material, e.g. sponge rubber	B68G 5/02
Finishing upholstery mainly composed of resilient material, e.g. foam rubber	B68G 11/04

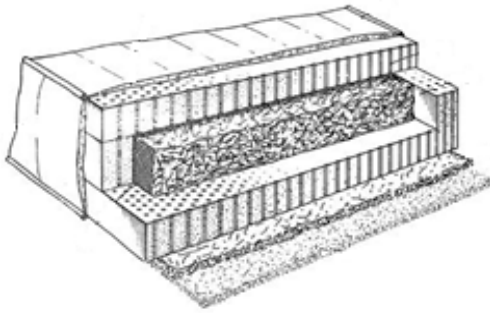
A47C 27/22

with both fibrous and foamed material inlays

Definition statement

This place covers:

Illustrative example of subject matter classified in this group



A47C 29/00

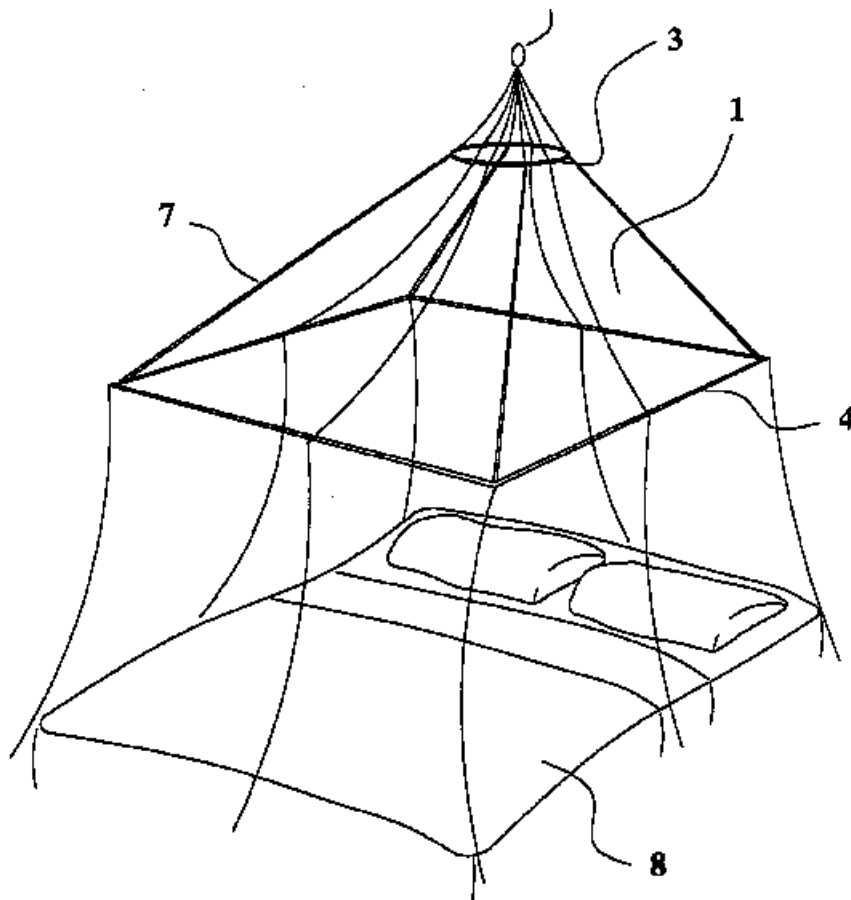
Nets for protection against insects in connection with chairs or beds; Bed canopies

Definition statement

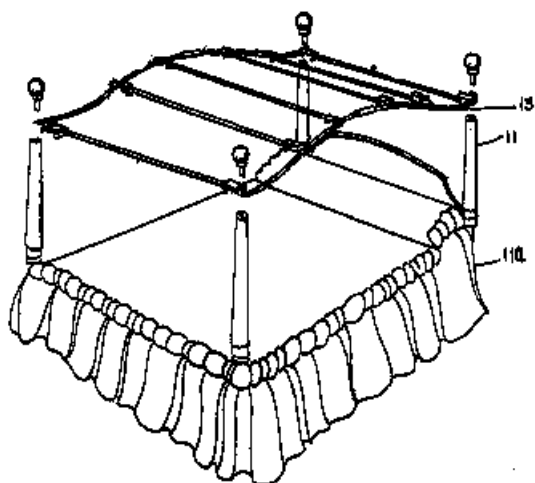
This place covers:

Illustrative examples of subject matter classified in this place:

1.



2.



References

Informative references

Attention is drawn to the following places, which may be of interest for search:

Seating or laying furniture with anti-earthquake means	A47C 31/002
Insect nets for animals	A01K 13/00
Insect nets as travelling equipment	A45F 3/52

Children's beds	A47D 7/00
Isolation chambers used for isolating individuals from external stimuli	A61M 21/0094
Tents or canopies with inflatable mattresses	E04H 2015/208

A47C 31/001

{Fireproof means}

Definition statement

This place covers:

Illustrative example of subject matter classified in this group

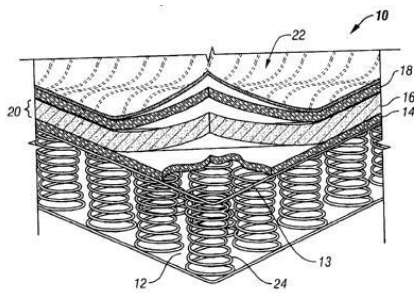


FIG. 2

US2006048301

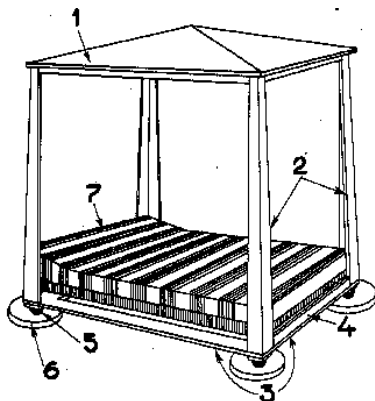
A47C 31/002

{Anti-earthquake means}

Definition statement

This place covers:

Illustrative example of subject matter classified in this group



References

Limiting references

This place does not cover:

Isolation chambers used for isolating individuals from external stimuli	A61M 21/0094
---	------------------------------

Informative references

Attention is drawn to the following places, which may be of interest for search:

Bed canopies	A47C 29/003
--------------	-----------------------------

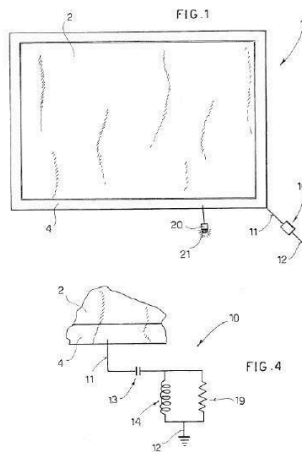
A47C 31/004

{Means for protecting against undesired influence, e.g. magnetic radiation or static electricity}

Definition statement

This place covers:

Illustrative example of subject matter classified in this group



WO0074461

A47C 31/005

{Use of aromatic materials, e.g. herbs}

Definition statement

This place covers:

Seating or laying furniture using aromatic materials, e.g. herbs

References**Limiting references**

This place does not cover:

Bed-covers, counterpanes, travelling rugs, sleeping rugs, sleeping bags or pillows comprising deodorising or fragrance realising substance	A47G 9/007
--	----------------------------

A47C 31/006**{Use of three-dimensional fabrics}****Definition statement***This place covers:*

Seating or laying furniture with three-dimensional fabric or spacer fabric

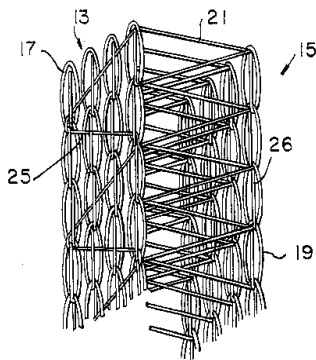


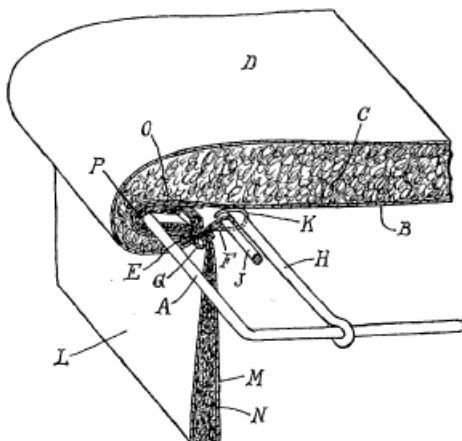
FIG. 1

A47C 31/02**Upholstery attaching means****Definition statement***This place covers:*

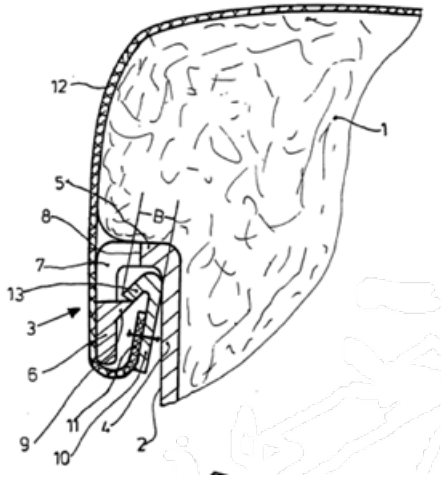
Upholstery attaching means of seating or laying furniture not provided for in other parts of the classification.

Illustrative examples of subject matter classified in this place:

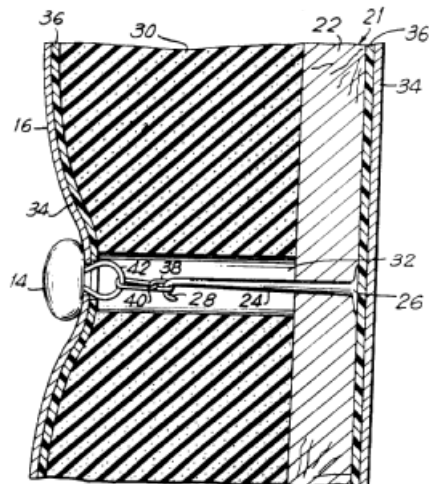
1.



2.



3.



References

Informative references

Attention is drawn to the following places, which may be of interest for search:

Attachment of upholstery or fabric to frames of foldable chairs with inflexible seats	A47C 4/06
Attachment of upholstery or fabric to frames of foldable chairs with flexible coverings	A47C 4/30
Attachment of upholstery or fabric to frame of tubular metal chairs	A47C 5/06
Attachment of covering in vehicle seat	B60N 2/58
Quilting, quilting means, fastening, fixing or finishing upholstery	B68G 7/00
Elements specially adapted for fastening, fixing or finishing, in upholstery work	B68G 7/12

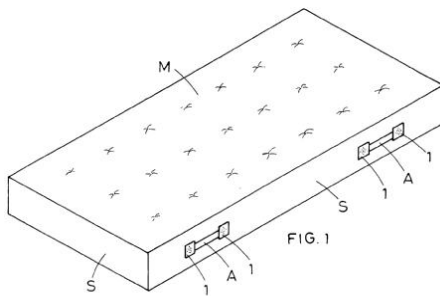
A47C 31/08

Mattress hand-straps {, hand-grips or the like}

Definition statement

This place covers:

Illustrative example of subject matter classified in this group



EP1741365

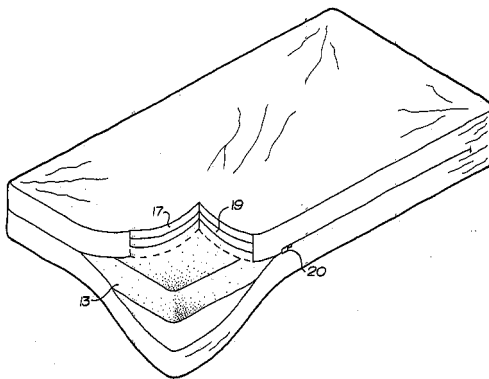
A47C 31/10

Loose {or removable} furniture covers

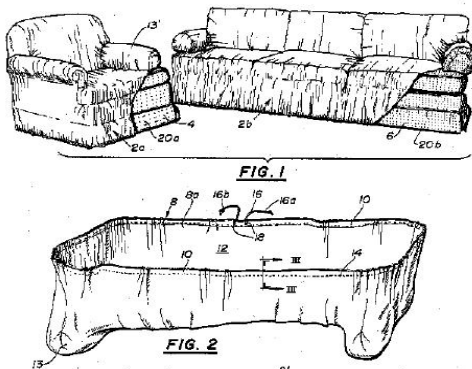
Definition statement

This place covers:

Illustrative example of subject matter classified in this group



US5007123



US4838610

References

Limiting references

This place does not cover:

Removable or loose covers for chairs' headrests	A47C 7/386
Children's beds with bed-cover holders preventing babies from throwing-off the bed cover	A47D 15/02
Bed linen, blankets or counterpanes	A47G 9/02
Seat covering for cars	B60N 2/58
Removable protective covers for car seats	B60N 2/60

A47C 31/12

Means, e.g. measuring means, for adapting chairs, beds or mattresses to the shape or weight of persons

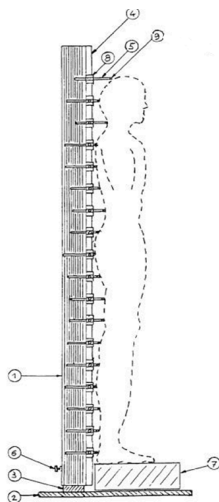
Definition statement

This place covers:

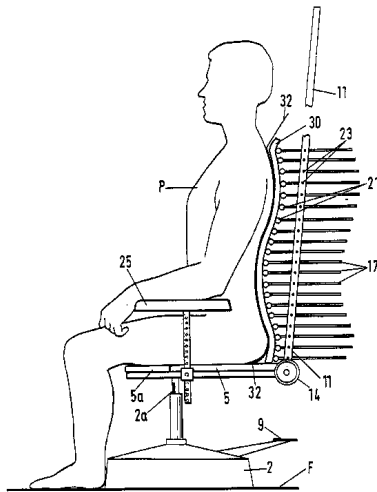
Body measuring means for adapting chairs, beds or mattresses to the shape or weight of persons.

Illustrative examples of subject matter classified in this place:

1.



2.



References

Informative references

Attention is drawn to the following places, which may be of interest for search:

Devices for taking measurements on the human body for manufacturing clothing	A41H 1/02
Measuring of the body profile for diagnostic purpose	A61B 5/1077
Testing of furniture, e.g. seats or mattresses	G01M 99/001