

EUROPEAN PATENT OFFICE  
U.S. PATENT AND TRADEMARK OFFICE

CPC NOTICE OF CHANGES 523

DATE: MAY 1, 2018

PROJECT MP0332

**The following classification changes will be effected by this Notice of Changes:**

<u>Action</u>	<u>Subclass</u>	<u>Group(s)</u>
<b>Modified Definitions</b>	F21K	subclass
	F21K	9/00
<b>New Definitions</b>	F21K	9/237
	F21K	9/238
	F21K	9/272
	F21K	9/278
	F21K	9/61
	F21K	9/66
	F21K	9/68
	F21K	9/69

**No other subclasses/groups are impacted by this Notice of Changes.**

**This Notice of Changes includes the following** *[Check the ones included]:*

1. CLASSIFICATION SCHEME CHANGES
  - A. New, Modified or Deleted Group(s)
  - B. New, Modified or Deleted Warning Notice(s)
  - C. New, Modified or Deleted Note(s)
  - D. New, Modified or Deleted Guidance Heading(s)
2. DEFINITIONS (New or Modified)
  - A. DEFINITIONS (Full definition template)
  - B. DEFINITIONS (Definitions Quick Fix)
3.  REVISION CONCORDANCE LIST (RCL)
4.  CHANGES TO THE CPC-TO-IPC CONCORDANCE LIST (CICL)
5.  CROSS-REFERENCE LIST (CRL)

## **2. A. DEFINITIONS (new)**

Insert the following new definitions.

### **F21K 9/237**

#### **Definition statement**

*This place covers:*

Details of housings or cases, i.e. the parts between the light-generating element and the bases, of retrofit light sources for lighting devices with a single fitting for each light source, e.g. for substitution of incandescent lamps with bayonet or threaded fittings

Arrangement of components within housings or cases of retrofit light sources for lighting devices with a single fitting for each light source, e.g. for substitution of incandescent lamps with bayonet or threaded fittings

Illustrative examples of subject matter classified in this group, see figures below:

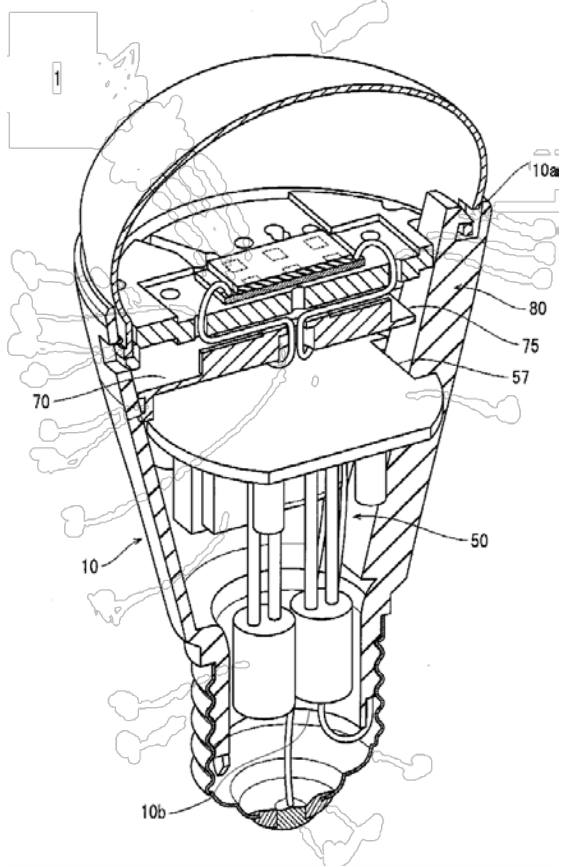


Figure 1. A cylindrical housing 10 has a first component unit 50 and a second component unit 70 therein. The housing 10 has therein a guide member 80 that is elongated in a direction from one-end 10a side of the housing 10 to the other-end 10b side thereof. The first and second component units respectively comprise notch sections 57, 75 that are different in shape and size from each other, and the first and second component units, when inserted in the housing 10 from the one-end 10a side, are movable along the guide member 80 in a state wherein the guide member 80 is positioned in the notch sections.

DATE: MAY 1, 2018

PROJECT MP0332

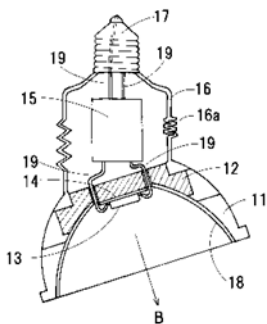


Figure 2. A cylindrical housing 16 is interposed between the heat dissipater 12 and the cap 17 and is flexible so that the heat dissipater 12 is tiltable relative to the cap 17.

## Relationships with other classification places

When classifying in this group, subject matter also relating to the group [F21V 15/01](#) is further classified in that group whenever appropriate. [F21V 15/01](#) is a function oriented place whereas this group is an application place.

## References

### Limiting references

*This place does not cover:*

Arrangement or mounting of circuit elements integrated in the light source	<a href="#">F21K 9/238</a>
--	----------------------------

### Informative references

*Attention is drawn to the following places, which may be of interest for search:*

Housings of lighting devices	<a href="#">F21V 15/01</a>
------------------------------	----------------------------

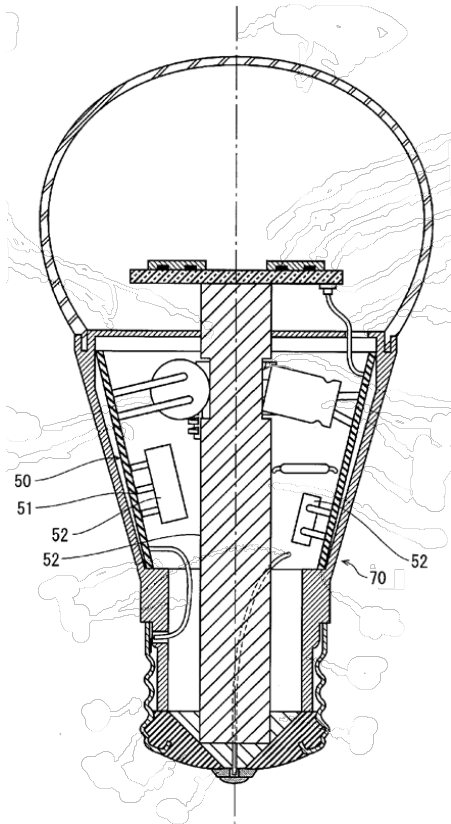
## F21K 9/238

### Definition statement

*This place covers:*

Arrangement or mounting of circuit elements integrated in the retrofit light source for lighting devices with a single fitting for each light source, e.g. for substitution of incandescent lamps with bayonet or threaded fittings.

Illustrative example of subject matter classified in this group, see figure below:



A circuit unit 50 has a circuit board 51 to which a plurality of electronic components 52 are mounted. The circuit unit 50 is housed in a case 70 in a manner such that the circuit board 51 is along the inner peripheral surface of the case 70.

DATE: MAY 1, 2018

PROJECT MP0332

## Relationships with other classification places

When classifying in this group, subject matter also relating to the main group [F21V 23/00](#) is further classified in that main group whenever appropriate. [F21V 23/00](#) is a function oriented place whereas this group is an application place.

## References

### *Informative references*

*Attention is drawn to the following places, which may be of interest for search:*

Arrangement of electric circuit elements in or on lighting devices	<a href="#">F21V 23/00</a>
--	----------------------------

## F21K 9/272

### Definition statement

*This place covers:*

- Details of end parts, i.e. the parts that connect the light source to a fitting, of retrofit light sources for lighting devices with two fittings for each light source, e.g. for substitution of fluorescent tubes
- Arrangement of components of end parts of retrofit light sources for lighting devices with two fittings for each light source, e.g. for substitution of fluorescent tubes

Illustrative examples of subject matter classified in this group, see figures below:

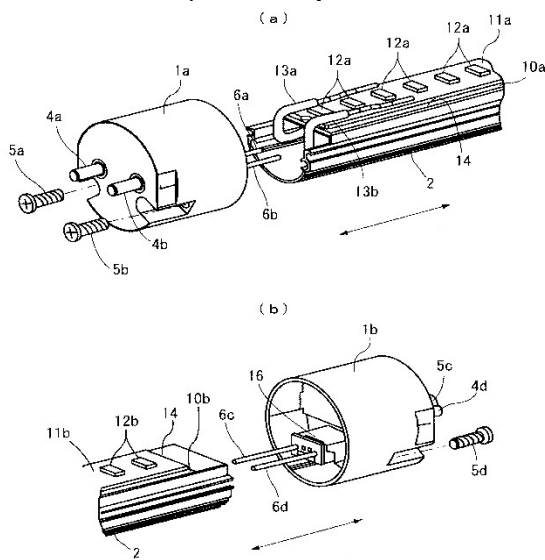


Figure 1. cap, and Figure 2. cap.

### References

#### Limiting references

*This place does not cover:*

Arrangement or mounting of circuit elements integrated in the light source	F21K 9/278
--	------------

DATE: MAY 1, 2018

PROJECT MP0332

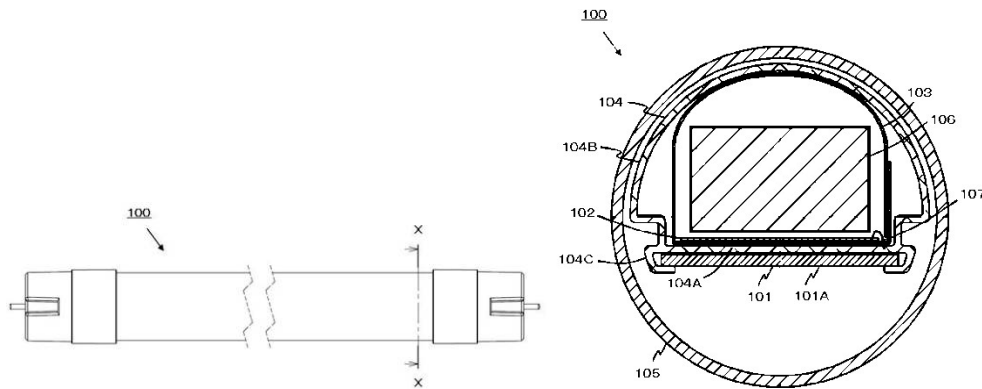
## F21K 9/278

### Definition statement

*This place covers:*

Arrangement or mounting of circuit elements integrated in the retrofit light source for lighting devices with two fittings for each light source, e.g. for substitution of fluorescent tubes

Illustrative examples of subject matter classified in this group, see figures below:



A power supply board 102 having a power supply circuit 106 for supplying lighting-up power to the LED, an insulating inner 103 for surrounding the power supply board, and a metallic heat sink 104 for improving heat radiation performance of the power supply board. The power supply circuit 106 is electrically connected to the heat sink through a common wire 107.

### Relationships with other classification places

When classifying in this group, subject matter also relating to the main group [F21V 23/00](#) is further classified in that main group whenever appropriate. [F21V 23/00](#) is a function oriented place whereas this group is an application place.



DATE: MAY 1, 2018

PROJECT MP0332

## References

### *Informative references*

*Attention is drawn to the following places, which may be of interest for search:*

Arrangement of electric circuit elements in or on lighting devices	<a href="#">F21V 23/00</a>
--	----------------------------

## F21K 9/61

## References

### *Informative references*

*Attention is drawn to the following places, which may be of interest for search:*

Use of light guides, e.g. fibre optic devices, in lighting devices or systems	<a href="#">G02B 6/00</a>
---	---------------------------

DATE: MAY 1, 2018

PROJECT MP0332

## **F21K 9/66**

### **References**

#### ***Informative references***

*Attention is drawn to the following places, which may be of interest for search:*

Globes, bowls or cover glasses of lighting devices or systems	<a href="#">F21V 3/00</a>
---	---------------------------

## **F21K 9/68**

### **References**

#### ***Informative references***

*Attention is drawn to the following places, which may be of interest for search:*

Reflectors for light sources	<a href="#">F21V 7/00</a>
------------------------------	---------------------------

## **F21K 9/69**

### **References**

#### ***Informative references***

*Attention is drawn to the following places, which may be of interest for search:*

Refractors for light sources	<a href="#">F21V 5/00</a>
------------------------------	---------------------------

CPC NOTICE OF CHANGES 523

DATE: MAY 1, 2018

PROJECT MP0332

2. B. DEFINITIONS QUICK FIX

<u>Symbol</u>	<u>Location of change</u> (e.g., section title)	<u>Existing reference symbol or text</u>	<u>Action; New symbol; New text</u>
F21K subclass	Glossary of terms		<p><b><u>Insert</u></b> the following term and definition in a <u>new</u> <i>Glossary of terms</i> section into the two-column table:</p> <p>For the left column, <u>insert</u> the term  <p style="text-align: center;">Light source</p> <p>For the right column, <u>insert</u> the definition (the following two paragraphs):</p> <p>The entity (e.g. light bulb, gas mantle, combustible charge) that generates light for a lighting device or apparatus.</p> <p>The light source of the lighting devices or lighting apparatus may be electrically powered (e.g. power is supplied by electric batteries, electric cells, electric generators, flexible cables for electric mains constructions), non-electrically powered (e.g. power is created by combustible fuels, triboluminescence) or a naturally occurring source of light (e.g. sunlight).</p> </p>

CPC NOTICE OF CHANGES 523

DATE: MAY 1, 2018

PROJECT MP0332

<p>F21K subclass</p>	<p>References out of a residual place</p>	<p>Explosive or thermic compositions C06B</p> <p>Luminescent materials C09K 11/00</p> <p>Candles C11C 5/00</p> <p>Incandescent mantles; other incandescent bodies heated by combustion F21H Selection of luminescent materials for light screens F21V 9/16</p> <p>Burners F23D</p> <p>Fireworks F42B 4/00</p> <p>Light pointers G02B 27/20</p> <p>Photographic flash units G03B 15/03</p> <p>Using a radioactive source to excite a material into luminescence G21H 3/02, H01J 65/06</p> <p>Electric discharge tubes or discharge lamps H01J</p> <p>Electric incandescent lamps H01K</p> <p>Semiconductor devices adapted for light emission H01L 33/00, H01L 51/50 - H01L 51/56</p> <p>Masers, lasers H01S</p> <p>Electric arc lamps H05B 31/00</p> <p>Electroluminescent light sources H05B 33/00</p>	<p><b><u>DELETE:</u></b> the <u>entire</u> existing <i>References out of a residual place</i> section including the table.</p>
----------------------	---	---	--

CPC NOTICE OF CHANGES 523

DATE: MAY 1, 2018

PROJECT MP0332

<u>Symbol</u>	<u>Location of change</u> (e.g., section title)	<u>Existing reference symbol or text</u>	<u>Action; New symbol; New text</u>
F21K9/00	Definition statement	<p><i>This place covers:</i></p> <ul style="list-style-type: none"> <li>• LED lamp, consisting of a retrofit lamp, for replacement of a halogen, tungsten filament, discharged lamp or other similar lamp in an existing lighting device, the LED lamp having a connector for use with a standard socket of a existing lighting device, the LED lamp using one or more semiconductor as light generating element</li> <li>• LED module, consisting of a self-contained assembly of light emitting diodes that can be installed as a unit, for insertion in a housing in order to form a lighting device, e.g. for street lighting</li> </ul> <p>Examples for LED lamps [...]</p>	<p><b>Insert</b> the following bulleted text between the preamble “This place covers” and the first bulleted text:</p> <ul style="list-style-type: none"> <li>• Light sources using semiconductor devices as light-generating elements, e.g. using light-emitting diodes [LED] or lasers</li> </ul> <p><b>Insert</b> the following bulleted text after the existing second bulleted text and before the line “Examples for LED lamps”</p> <ul style="list-style-type: none"> <li>• “Light source” means a light-generating component intended for installation in a fitting or holder incorporated in a lighting device</li> </ul>
F21K9/00	Relationship with other classification places		<p><b>Insert</b> the following text in a <u>new Relationship with other classification places</u> section:</p> <p>This group covers light sources using semiconductor devices as light-generating elements per se. Lighting devices or systems in which those light sources are installed are covered by subclass F21L or F21S. When classifying in this group, subject matter also relating to the subclass F21V is further classified in that subclass whenever appropriate. F21V is a function oriented place whereas this group is an application place. Attention is drawn to Note III of Section H, and in particular, that subclass H05B covers electrical aspects of the same technical subjects that are covered by class F21.</p>

CPC NOTICE OF CHANGES 523

DATE: MAY 1, 2018

PROJECT MP0332

<u>Symbol</u>	<u>Location of change</u> (e.g., section title)	<u>Existing reference symbol or text</u>	<u>Action; New symbol; New text</u>
F21K9/00	References out of a residual place	<p>Light emitting diodes, LED packages H01L 33/00</p> <p>OLEDs per se H01L 51/50</p> <p>Laser diodes per se H01S 5/00</p> <p>Details of circuits arrangements for LED's H05B 33/0803</p> <p>Control related to points in colour temperature diagram H05B 33/0857</p> <p>Electric lamps using a combination of different types of light generation H05B 35/00</p>	<b>DELETE</b> the <u>entire</u> existing <i>References out of a residual place</i> section including the table.
F21K9/00	Informative references	<p>Systems of lighting devices of a modular construction, not provided for in main groups F21S 4/00 - F21S 10/00 or F21S 19/00 F21S 2/005</p> <p>Lighting devices using a string rigidly mounted on a frame or included in a resin F21S 4/20</p> <p>Details of lighting devices F21V</p> <p>Packages with a plurality of LED dies H01L 25/0753</p> <p>Details of printed circuit boards H05K</p>	<p><b>Insert</b> the following <u>new</u> rows to the existing <i>Informative References</i> Table:</p> <p>Light emitting diodes, LED packages H01L 33/00</p> <p>OLEDs per se H01L 51/50</p> <p>Laser diodes per se H01S 5/00</p> <p>Details of circuits arrangements for LED's H05B 33/0803</p> <p>Control related to points in colour temperature diagram H05B 33/0857</p> <p>Electric lamps using a combination of different types of light generation H05B 35/00</p>

NOTES:

CPC NOTICE OF CHANGES 523

DATE: MAY 1, 2018

PROJECT MP0332

- The table above is used for corrections or modifications to existing definitions, e.g. delete an entire definition or part thereof; propose new wording or modify wording of a section, change the symbol the definition is associated with, change or delete a reference symbol, etc.
- Do not delete (F) symbol definitions.